

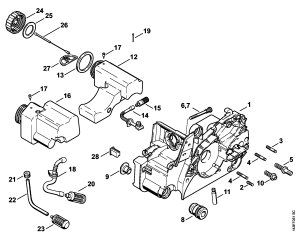
**02-2018-D-GB**



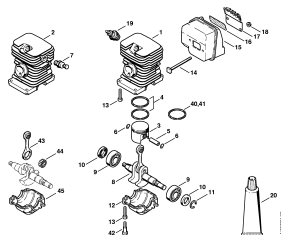
**Table of contents**

---

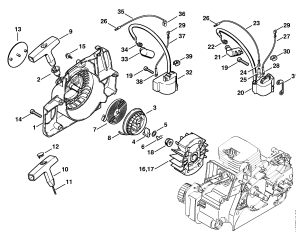
017		4
	Motor housing	6
	Cylinder	8
	Rewind starter, Ignition system	11
	Hand guard, Chain brake	14
	Quick chain tensioner	16
	Air filter, Shroud	18
	Carburetor C1Q-S57, C1Q-S57	20
	Carburetor C1Q-S43 (49.2000)	22
	Carburetor WT-325 (05.2000)	24
	Handle frame, Tools	27
	Serial number	29



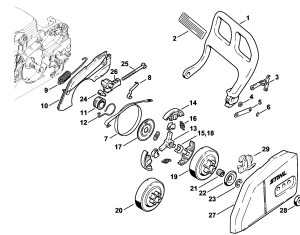
Motor housing



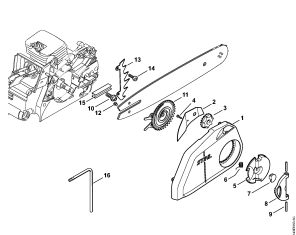
Cylinder



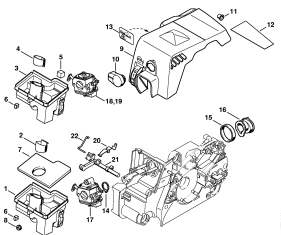
Rewind starter, Ignition system



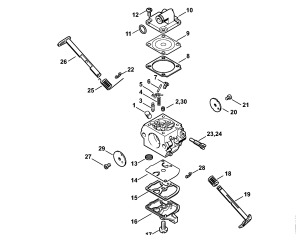
Hand guard, Chain brake



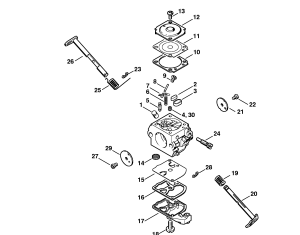
Quick chain tensioner



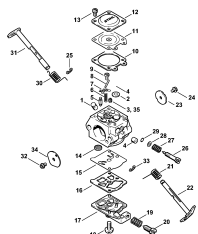
Air filter, Shroud



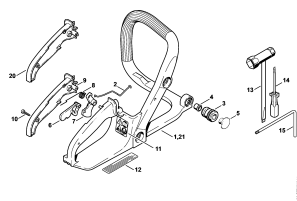
Carburetor C1Q-S57, C1Q-S57



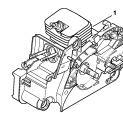
Carburetor C1Q-S43 (49.2000)



Carburetor WT-325 (05.2000)



Handle frame, Tools



Serial number

**Description**

Motor housing

Cylinder

Rewind starter, Ignition system

Hand guard, Chain brake

Quick chain tensioner

Air filter, Shroud

Carburetor C1Q-S57, C1Q-S57

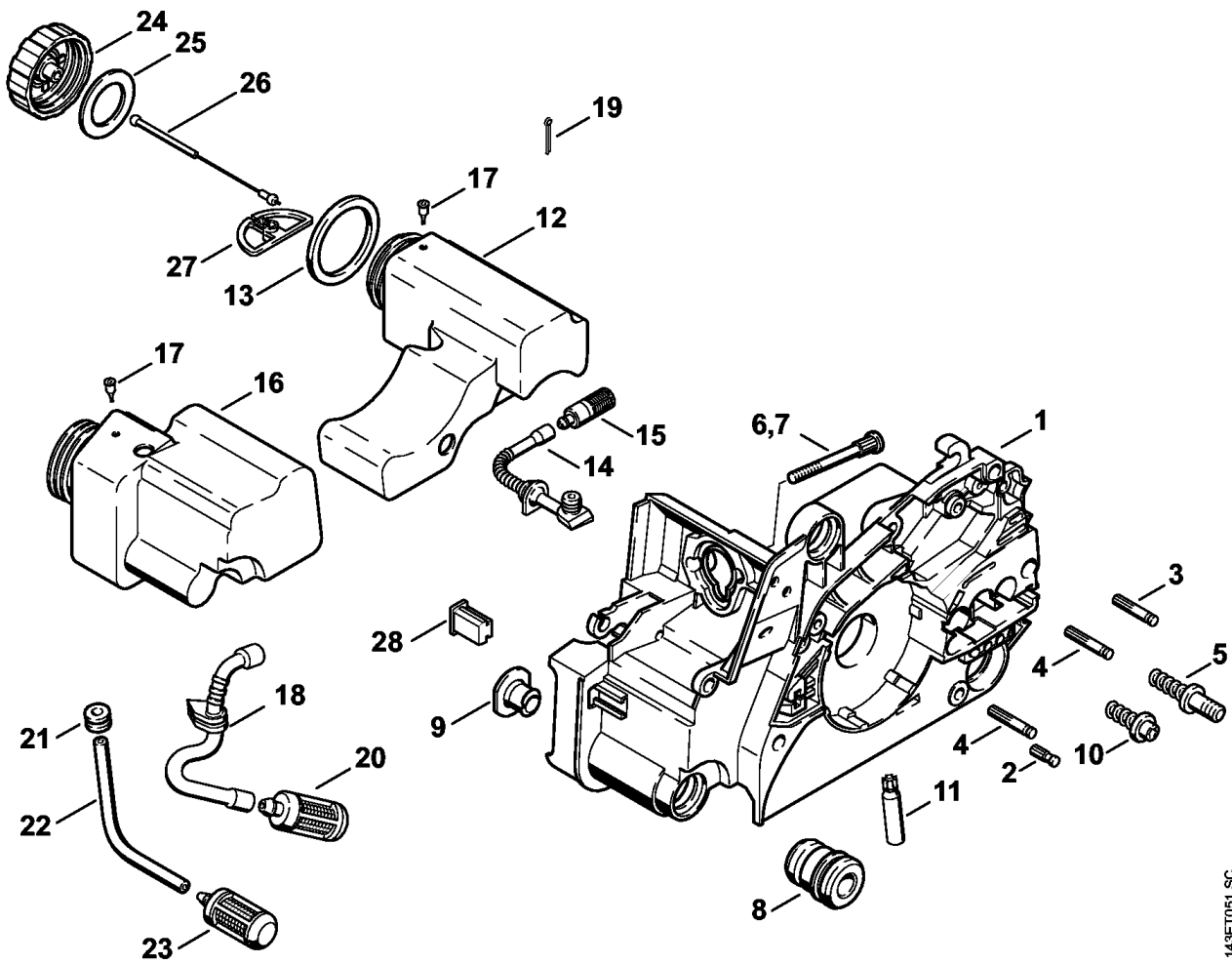
Carburetor C1Q-S43 (49.2000)

Carburetor WT-325 (05.2000)

Handle frame, Tools

Serial number

**Motor housing**

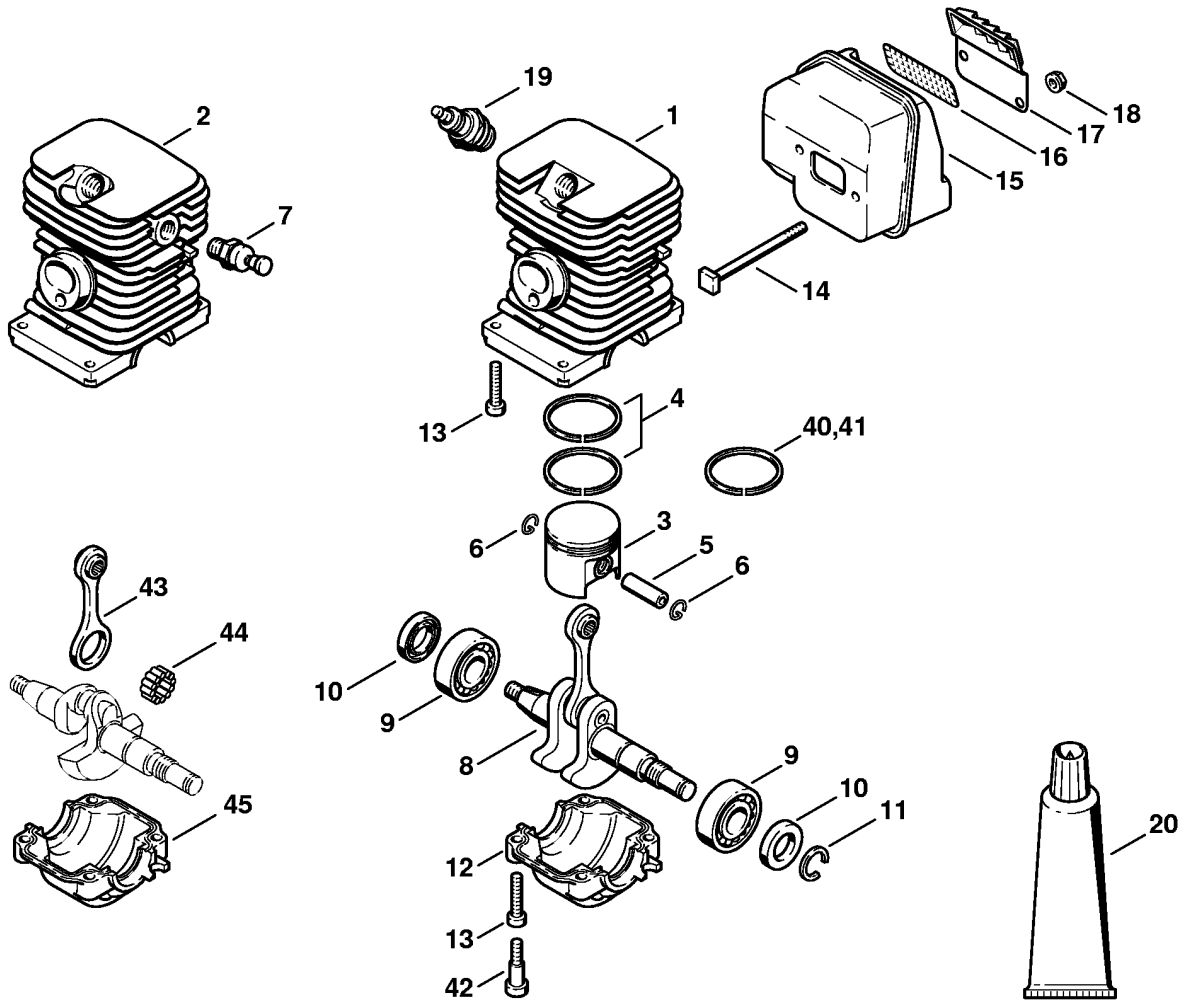


143ET051 SC

(1) 017, (2) 017 C

## Motor housing

Reference	Item number	Qty	Description	Contains	Up to
1	1130 020 3033	1	Engine housing (1)	2 - 6, 11	
1	* 1130 020 3001	1	Engine housing (1)	2 - 5, 7	244076105
1	1130 020 3034	1	Engine housing (2)	2 - 6, 10, 11	
2	1120 162 5200	1	Pin		
3	1123 162 5200	1	Pin		
4	1123 162 5205	2	Pin		
5	1123 664 2400	2	Collar screw (1)		
5	1123 664 2400	1	Collar screw (2)		
6	1130 122 6601	2	Collar screw		
7	1121 122 6600	2	Collar screw		
8	1123 791 2800	2	Annular buffer		
9	1123 791 7300	2	Plug		
10	1123 664 2402	1	Collar screw (2)		
11	1123 640 3200	1	Oil pump 0.55		
12	1130 350 4400	1	Oil tank	13 - 15, 17	
13	0000 359 1241	1	Sealing ring		
14	1130 647 9400	1	Hose		
15	1123 640 3800	1	Pickup body		
16	1130 350 0412	1	Fuel tank	17, 18	
17	0747 313 6810	2	Valve		
18	1130 358 7701	1	Hose		
19	* 9395 021 0760	1	Split pin 1.6x8		
20	0000 350 3500	1	Pickup body		
21	* 0000 989 0816	1	Grommet		
22	* 4130 358 7600	1	Hose		
23	* 0000 350 3502	1	Pickup body		
24	1130 350 0500	2	Filler cap	25 - 27	
25	0000 359 1240	2	Sealing ring		
26	0000 350 0905	2	Rope		
27	0000 353 0605	2	Hook		
28	1130 791 5900	1	Stop buffer		



143ET034 SC



## Cylinder

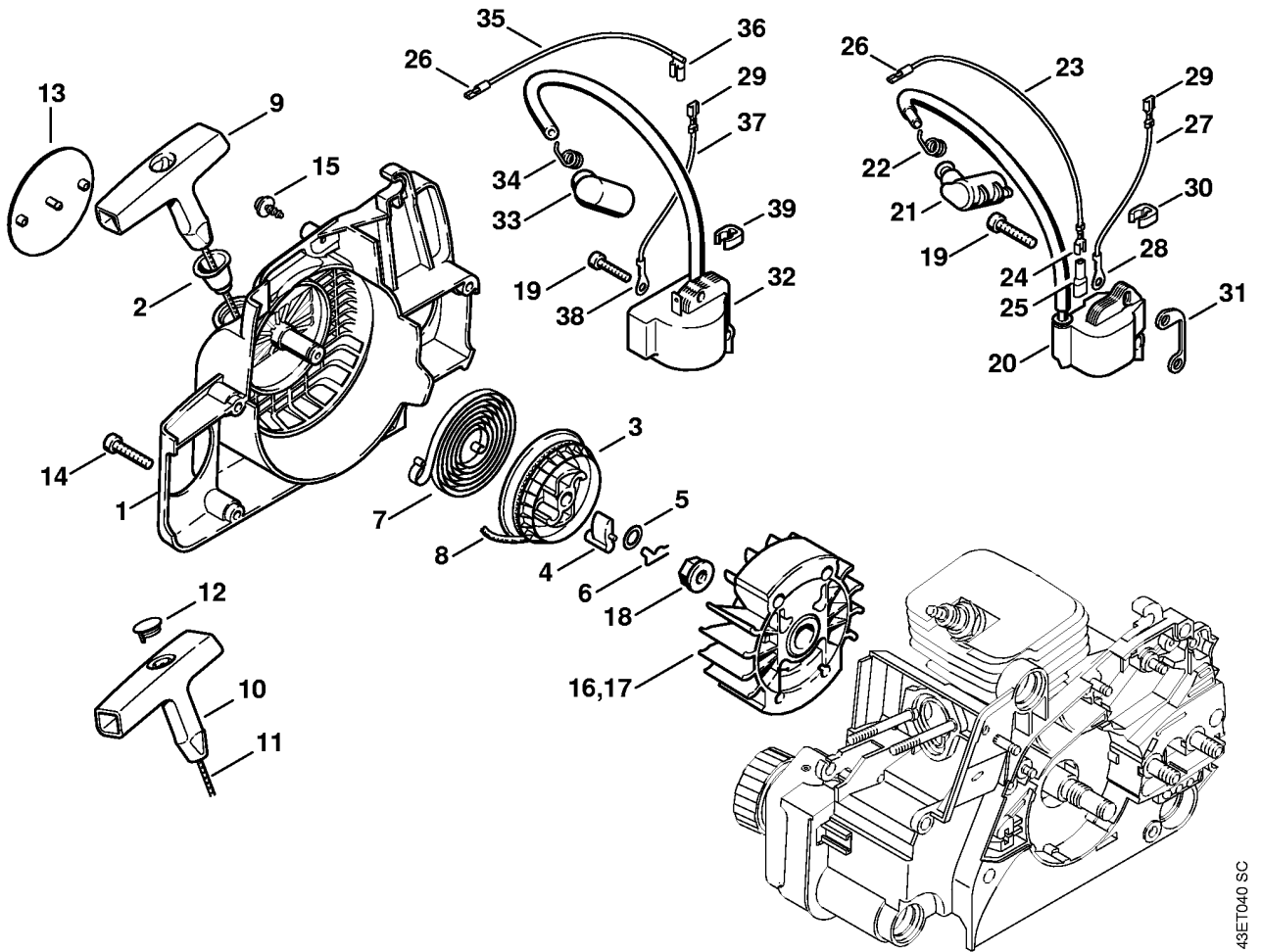
Reference	Item number	Qty	Description	Contains	Up to	Technical Information
1	1130 020 1207	1	Cylinder with piston Ø 37 mm (1)	3 - 6		
1	* 1130 020 1200	1	Cylinder with piston Ø 37 mm (1)	3 - 6	244076105	5.2000
2	1130 020 1207	1	Cylinder with piston Ø 37 mm (2)	3 - 6, 13		
2	* 1130 020 1202	1	Cylinder with piston Ø 37 mm (C) (2)	3 - 6		
3	1130 030 2000	1	Piston Ø 37 mm	4 - 6		
4	1130 034 3003	2	Piston ring Ø 37x1.2 mm			
5	1130 034 1500	1	Piston pin 8x4x25			
6	9463 650 0807	2	Snap ring 8x0.7			
7	1123 020 9400	1	Decompression valve (2)			
	1130 030 0450	1	Set of crankshaft / engine pan	8, 12		9.1999
8	1132 030 0401	1	Crankshaft			25.2005
9	9503 003 0311	2	Grooved ball bearing 6002			
10	9638 003 1581	2	Oil seal 15x25x5			24.1996
10	9639 003 1585	2	Oil seal 15x25x5			24.1996
11	9468 621 1520	1	Circlip 15x1			
12	1130 021 2504	1	Engine pan			
13	9075 478 4159	8	Pan head self-tapping screw IS-D5x24			
14	1123 148 1201	2	Screw M5x65			
15	1130 140 0600	1	Muffler			
16	1130 141 9000	1	Screen USA, AUS, CDN			
17	1130 145 2900	1	Muffler cover			
18	9216 261 0700	2	Hexagon nut M5			
19	1110 400 7005	1	Spark plug Bosch WSR 6 F			
19	0000 400 7000	1	Spark plug NGK BPMR7A			
20	0783 830 2000	1	Tube of sealant HT red (B)			
40	* 1130 034 3001	1	Piston ring Ø 37x1.5 mm		44076105	
41	* 1130 034 3000	1	Piston ring Ø		33249874	28.1996

(1) 017, (2) 017 C

**Cylinder**

Reference	Item number	Qty	Description	Contains	Up to	Technical Information
			37x1.5 mm			
42	* 1130 028 0200	4	Collar screw			12.1998
43	*	1	Connecting rod (C)			9.1999
44	* 1130 007 1000	1	Set of cylindrical rollers			9.1999
45	* 1130 021 2500	1	Engine pan			9.1999

**Rewind starter, Ignition system**



143SET040 SC

(1) 017, (2) 017 C

## Rewind starter, Ignition system

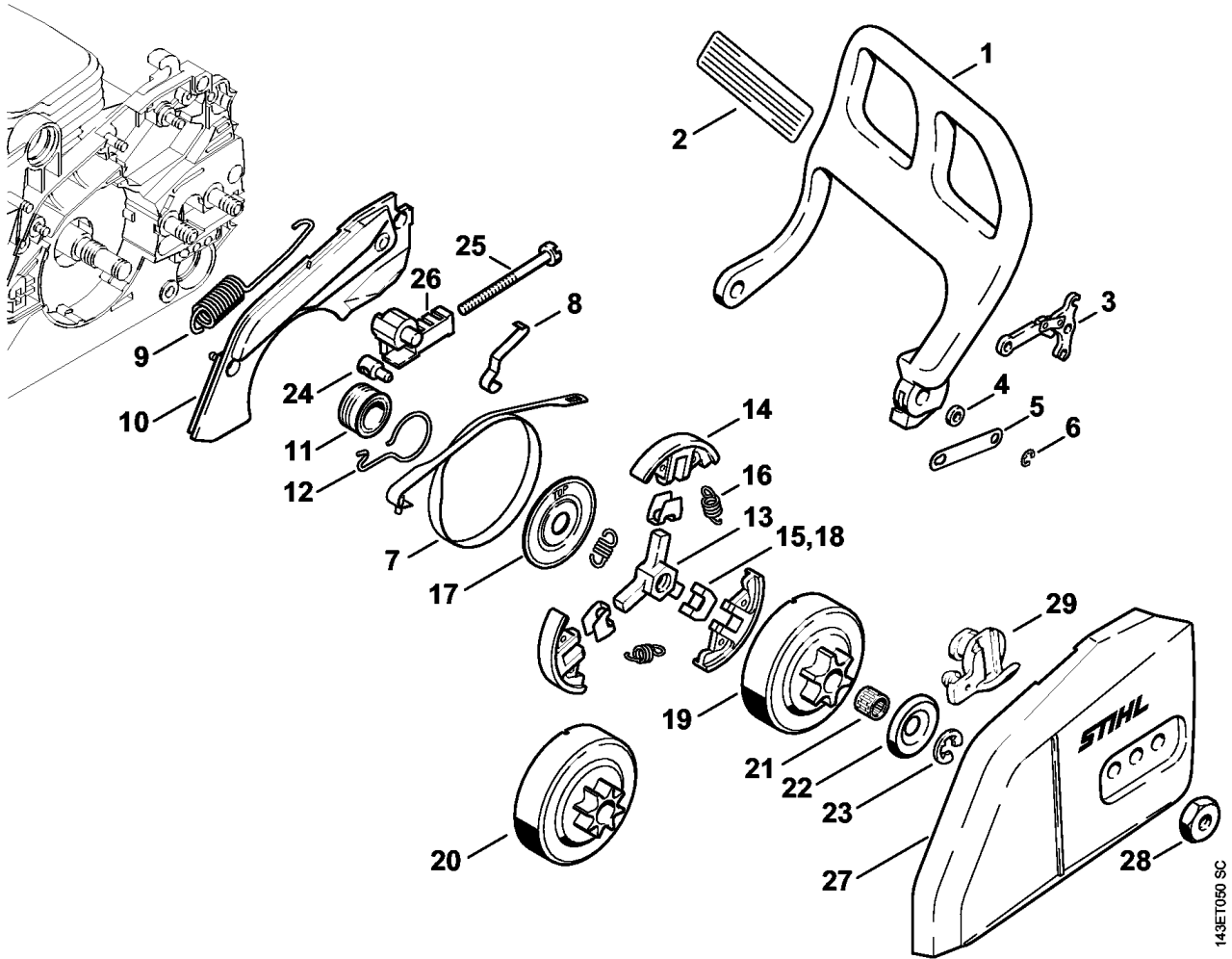
Reference	Item number	Qty	Description	Contains	Up to	Technical Information
	1130 080 2100	1	Fan housing with rewind starter (1)	1 - 9, 13		
	1130 080 2105	1	Fan housing with rewind starter (2)	1 - 7, 10 - 12		
1	1130 080 1800	1	Fan housing	2		
2	1110 084 9102	1	Bushing			
3	1123 195 0400	1	Rope rotor			
4	1125 195 7200	1	Pawl			
5	0000 958 0923	1	Washer			
6	1118 195 3500	1	Spring			
7	1129 190 0601	1	Rewind spring			
8	0000 195 8200	1	Starter rope Ø 3x800 mm (1)			
9	1121 195 3400	1	Starter grip (1)			
10	0000 190 3402	1	Starter grip ElastoStart Ø 3 mm (2)	11, 12		
11	0000 195 8200	1	Starter rope Ø 3x800 mm (2)			
12	0000 195 7001	1	Cap (2)			
13	1130 967 1500	1	Model plate 017			
14	9075 478 4155	3	Pan head self-tapping screw IS-D5x24			
15	9104 003 8733	1	Self-tapping screw P4x16			
16	1130 400 1201	1	Flywheel			25.2005
17	* 1130 400 1200	1	Flywheel		244076104	25.2005 5.2000
18	0000 955 0802	1	Collar nut M8x1			
19	9075 478 3022	2	Pan head self-tapping screw IS-D4x20			
20	1130 400 1302	1	Ignition module	21, 22		
21	1128 405 1000	1	Spark plug boot			
22	0000 998 0604	1	Spark plug contact spring			
23	1130 440 1101	1	Short circuit wire	24 - 26		
24		1	Terminal socket 4.8-1 (D)			
25	0751 030 8467	1	Grommet (C)			
26	0751 030 8490	1	Terminal socket 3.5 (C)			
27	1130 440 2201	1	Ground wire 125 mm / 4 15/16"	28, 29		
28	0751 030 8969	1	Terminal socket			

(1) 017, (2) 017 C

## Rewind starter, Ignition system

Reference	Item number	Qty	Description	Contains	Up to	Technical Information
			A5-1.5 (C)			
29	0751 030 8953	1	Terminal socket 4.8-1 (C)			
30	1130 448 1201	1	Lead retainer			
31	1130 405 8000	1	Insulator			
32	* 1130 400 1300	1	Ignition module	33, 34	244076104	5.2000
33	* 1130 405 1000	1	Spark plug boot		244076104	5.2000
34	* 0000 998 0614	1	Torsion spring		244076104	5.2000
35	* 1130 440 1100	1	Short circuit wire 225 mm / 8.9"	26, 36	244076104	5.2000
36	*	1	Terminal socket 6.3-1 (D)		244076104	5.2000
37	* 1130 440 2200	1	Ground wire 125 mm / 4 15/16"	29, 38	244076104	5.2000
38	* 0751 030 8950	1	Terminal socket A 4-1 (C)			
39	* 1130 448 1200	1	Lead retainer		244076104	5.2000

**Hand guard, Chain brake**



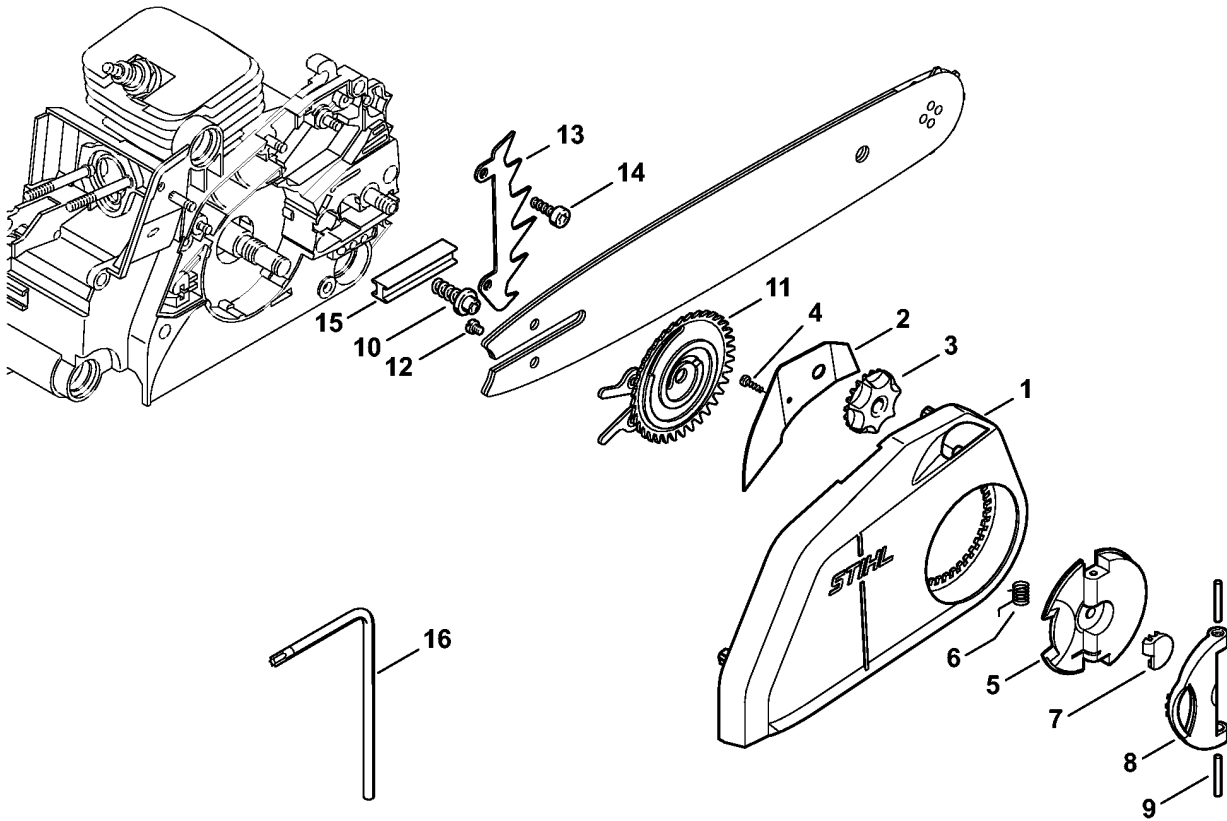
143ET050 SC

(1) 017, (2) 017 C

## Hand guard, Chain brake

Reference	Item number	Qty	Description	Contains	Technical Information
1	1130 792 9100	1	Hand guard		
2	0000 967 3913	1	Instruction label USA		
3	1128 160 5000	1	Lever		
4	0000 958 0521	1	Washer		
5	1123 162 5800	1	Strap		
6	9460 624 0400	1	E-clip 4		
7	1123 160 5400	1	Brake band		
8	1123 162 7800	1	Flat spring		
9	1123 162 7900	1	Tension spring		
10	1130 021 1100	1	Cover		
11	1123 640 7105	1	Worm	12	
12	1123 647 2400	1	Spring		
13	1123 160 2050	1	Clutch	14 - 17	
14	1129 162 0800	3	Clutch shoe		
15	1127 162 3000	3	Retainer		
16	0000 997 5515	3	Tension spring		
17	1121 162 1001	1	Cover washer		
18	* 1121 162 3000	3	Retainer		35.2000
19	1123 640 2003	1	Chain sprocket 3/8" Picco 6T		
20	1123 640 2007	1	Chain sprocket 1/4" 8T (B)		
21	9512 933 2260	1	Needle cage 10x13x10		
22	0000 958 1022	1	Washer Ø 27 mm		
23	9460 624 0801	1	E-clip 8x1.3		
24	1120 664 1500	1	Tensioning nut		
25	1123 664 1605	1	Adjusting screw		
26	1123 664 2205	1	Cover		
27	1123 640 1705	1	Chain sprocket cover		
28	0000 955 0801	2	Hexagon nut M8		
29	1123 656 7700	1	Chain catcher (B)		

**Quick chain tensioner**



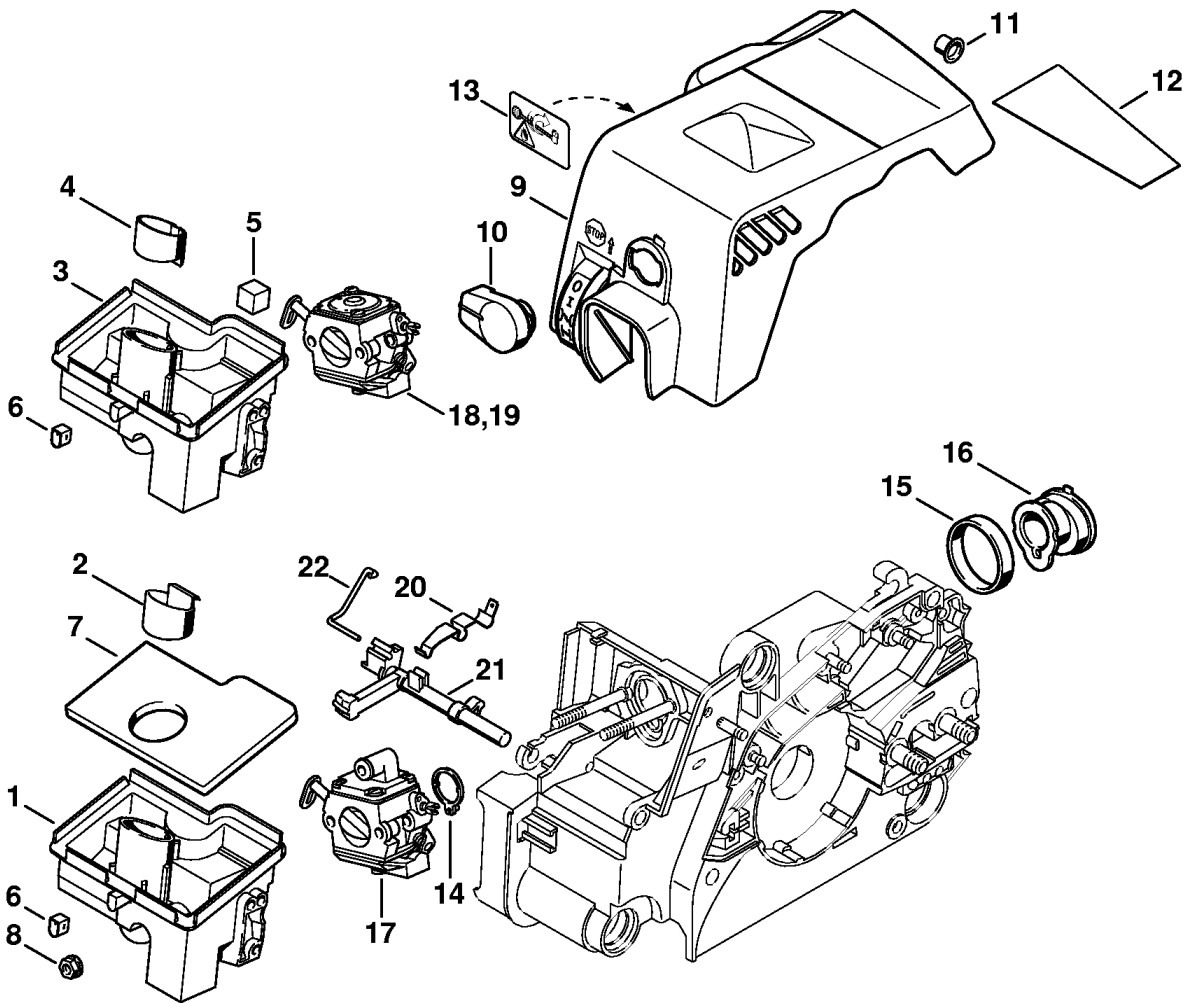
143ET053 SC



## Quick chain tensioner

Reference	Item number	Qty	Description	Contains
	1123 007 1008	1	Quick tensioner parts (B)	1 - 15
1	1123 640 1700	1	Chain sprocket cover	2 - 4
2	1123 648 3800	1	Cover plate	
3	1123 648 2202	1	Adjusting wheel	
4	9104 003 8600	1	Self-tapping screw P3x10	
5	1121 660 1000	1	Wing nut	6 - 9
6		1	Torsion spring (D)	
7		1	Cap (D)	
8		1	Handle (D)	
9		2	Cylindrical pin 3m6x26 (D)	
10	1123 664 2402	1	Collar screw	
11	1123 660 3001	1	Tensioning gear	12
12	9041 319 0600	1	Pan head screw M4x5	
13	1123 664 0501	1	Bumper spike	
14	9075 478 4115	2	Pan head self-tapping screw IS-D5x16	
15	1123 021 2800	1	Insert	
16	0812 370 1000	1	Screwdriver T27x120x70 (B)	

**Air filter, Shroud**

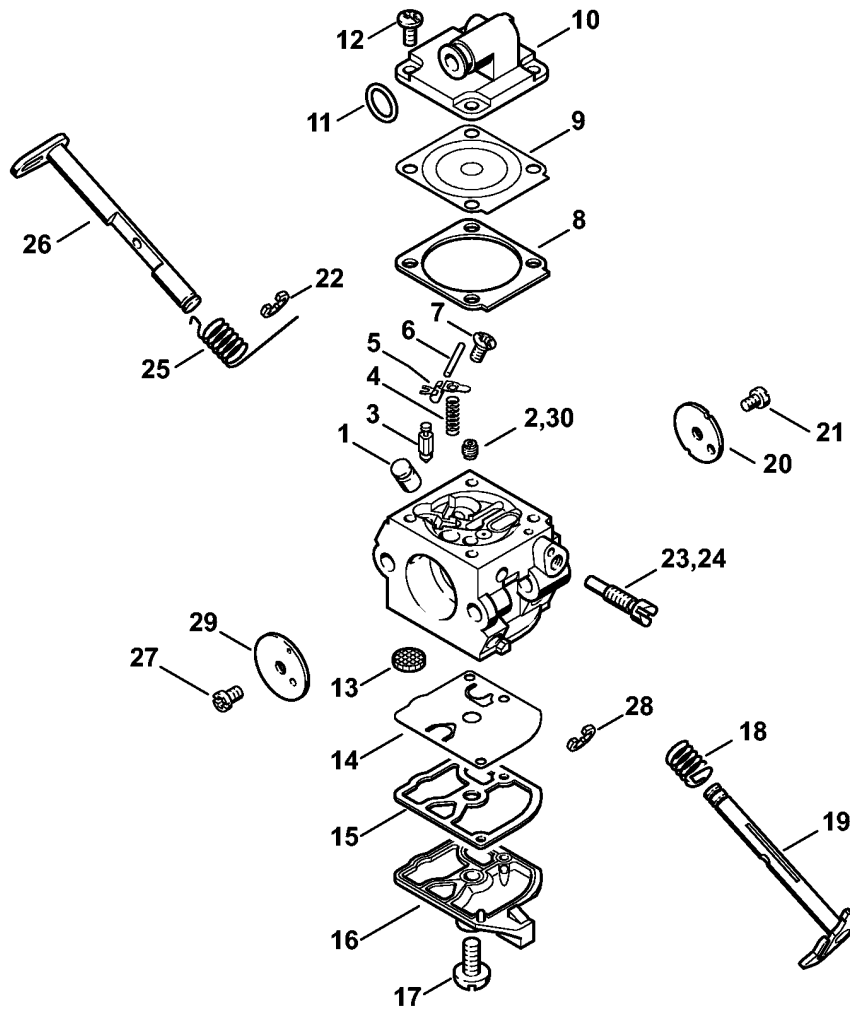


143ET048 SC

## Air filter, Shroud

Reference	Item number	Qty	Description	Contains	Up to	Technical Information
1	1130 140 2803	1	Filter housing	2, 6, 7		
2	1130 141 1101	1	Insert			
3	* 1130 140 2800	1	Filter housing	5, 6		49.2000
4	* 1130 141 1100	1	Insert			49.2000
5	* 1130 141 4300	1	Packing			56.2014 49.2000
6	1130 124 7100	1	Sleeve			
7	1130 124 0800	1	Filter plate			
8	9216 261 0700	2	Hexagon nut M5			
9	1130 140 4709	1	Shroud	10 - 12		
10	1130 141 2300	1	Twist lock			
11	1130 141 1801	1	Sleeve			
12	1130 084 8300	1	Reflector foil			
13	0000 967 3692	1	Warning pictogram Filler cap USA, CDN			
14	1130 141 1800	1	Sleeve			
15	1130 022 2000	1	Ring			
16	1130 141 2200	1	Manifold			
17	1130 120 0603	1	Carburetor C1Q-S57G			
18	* 1130 120 0601	1	Carburetor C1Q-S43C			56.2014 49.2000
19	* 1130 120 0600	1	Carburetor WT-325A		244076104	5.2000
20	1130 442 1602	1	Contact spring			
21	1130 182 0900	1	Switch shaft			
22	1130 185 2000	1	Choke rod			

**Carburetor C1Q-S57, C1Q-S57**



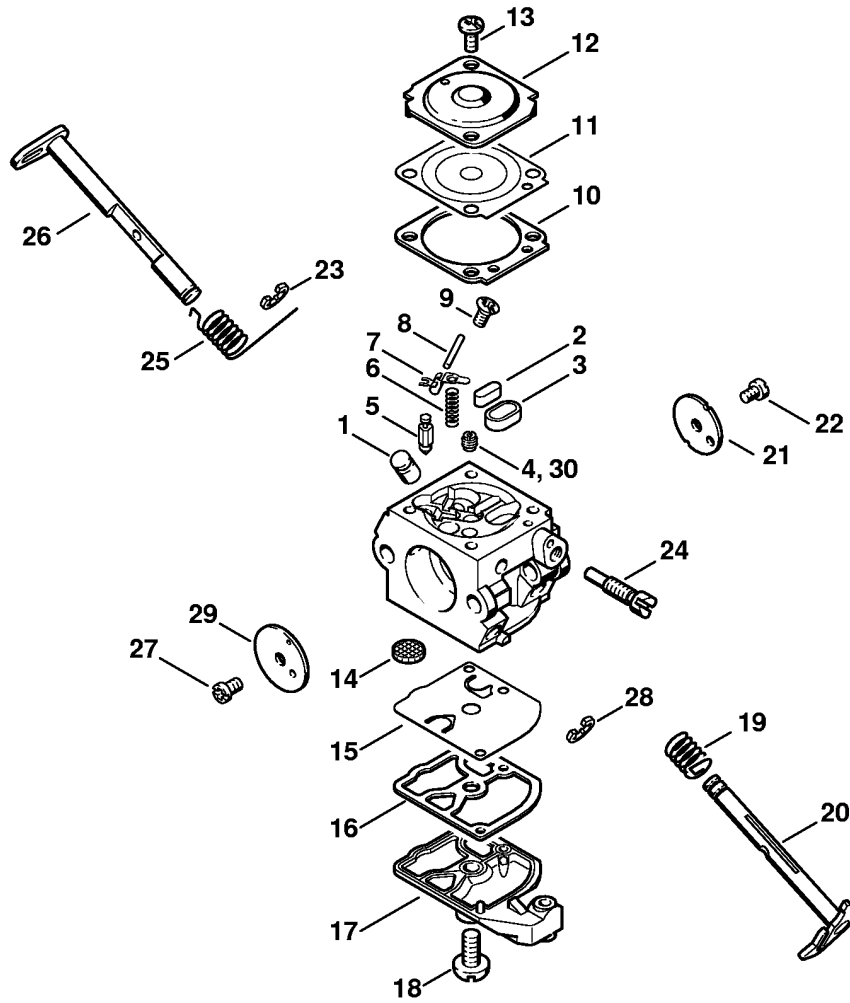
2107ET1012 SC

(1) 017, (2) 017 C

## Carburetor C1Q-S57, C1Q-S57

Reference	Item number	Qty	Description	Contains	Technical Information
	1130 120 0603	1	Carburetor C1Q-S57G	1 - 23, 25 - 29	
	*	1	Carburetor C1Q-S57A (C)	1 - 22, 24 - 29	31.2009
1	1130 121 5401	1	Valve jet		
2	1130 121 5604	1	Fixed jet 0.45		
3	4116 121 5100	1	Inlet needle		
4	1130 122 3001	1	Spring		
5	1125 121 5000	1	Inlet control lever		
6	1120 121 9200	1	Spindle		
7	1120 122 6600	1	Collar screw		
8	1130 129 0901	1	Gasket		
9	1130 121 4700	1	Metering diaphragm		
10	1130 121 0800	1	End cover		
11	9646 945 0490	1	O-ring 7x1.5		
12	1120 122 6601	4	Collar screw		
13	1123 121 7800	1	Strainer		
14	1130 121 4800	1	Pump diaphragm		
15	1130 129 0900	1	Gasket		
16	1130 121 0801	1	End cover		
17	1120 122 7800	1	Oval head screw		
18	1123 122 3000	1	Spring		
19	1130 120 7101	1	Throttle shaft with lever		
20	1130 121 3302	1	Throttle shutter		
21	1120 122 7400	1	Round head screw		
22	1125 122 9001	1	E-clip		
23	1130 122 6301	1	Idle speed screw		
24	* 1130 122 6300	1	Idle speed screw		31.2009
25	1123 122 3203	1	Torsion spring		
26	1123 120 7200	1	Choke shaft with lever		
27	1125 122 7403	1	Round head screw		
28	1125 122 9002	1	E-clip		
29	1132 121 2901	1	Choke shutter		
30	4137 121 5601	1	Fixed jet 0.42 (B) High altitude		
	1130 007 1061	1	Set of carburetor parts	8, 9, 14, 15	

**Carburetor C1Q-S43 (49.2000)**

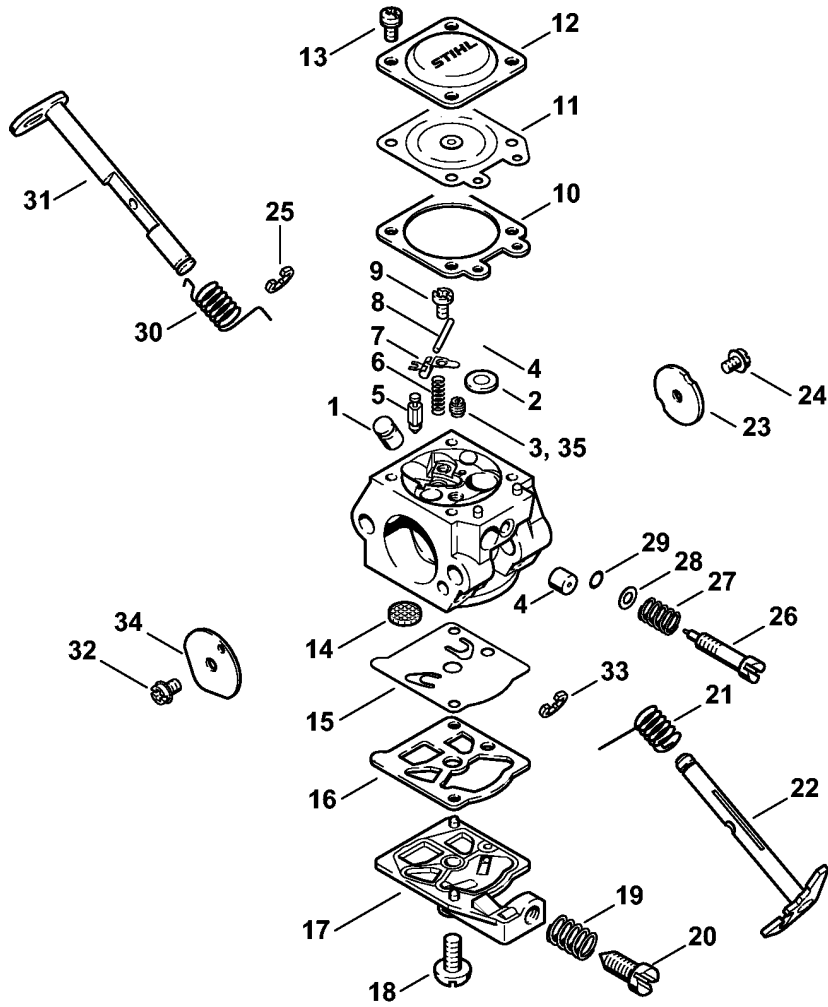


140ET007 SC

(1) 017, (2) 017 C

## Carburetor C1Q-S43 (49.2000)

Reference	Item number	Qty	Description	Contains	Technical Information
	* 1130 120 0601	1	Carburetor C1Q-S43C	1 - 29	56.2014 49.2000
1	* 1130 121 5401	1	Valve jet		49.2000
2	* 4226 121 0700	1	Cup plug		49.2000
3	* 4129 121 0700	1	Cup plug		49.2000
4	* 1130 121 5604	1	Fixed jet 0.45		49.2000
5	* 4116 121 5100	1	Inlet needle		49.2000
6	* 1130 122 3001	1	Spring		49.2000
7	* 1125 121 5000	1	Inlet control lever		49.2000
8	* 1120 121 9200	1	Spindle		49.2000
9	* 1120 122 6600	1	Collar screw		49.2000
10	* 1130 129 0901	1	Gasket		49.2000
11	* 1130 121 4700	1	Metering diaphragm		49.2000
12	* 1129 121 0800	1	End cover		49.2000
13	* 4132 122 6600	2	Collar screw		49.2000
14	* 1123 121 7800	1	Strainer		49.2000
15	* 1130 121 4800	1	Pump diaphragm		49.2000
16	* 1130 129 0900	1	Gasket		49.2000
17	* 4128 121 0800	1	End cover		49.2000
18	* 1120 122 7800	1	Oval head screw		49.2000
19	* 1123 122 3000	1	Spring		49.2000
20	* 1120 120 7101	1	Throttle shaft with lever		49.2000
21	* 1130 121 3302	1	Throttle shutter		49.2000
22	* 1120 122 7400	1	Round head screw		49.2000
23	* 1125 122 9001	1	E-clip		49.2000
24	* 1130 122 6300	1	Idle speed screw		49.2000
25	* 1123 122 3200	1	Torsion spring		49.2000
26	* 1123 120 7200	1	Choke shaft with lever		49.2000
27	* 1125 122 7403	1	Round head screw		49.2000
28	* 1125 122 9002	1	E-clip		49.2000
29	* 1123 121 2901	1	Choke shutter		49.2000
30	* 4137 121 5601	1	Fixed jet 0.42 High altitude		49.2000
	* 1130 007 1061	1	Set of carburetor parts	10, 11, 15, 16	



148ET049 SC



**Carburetor WT-325 (05.2000)**

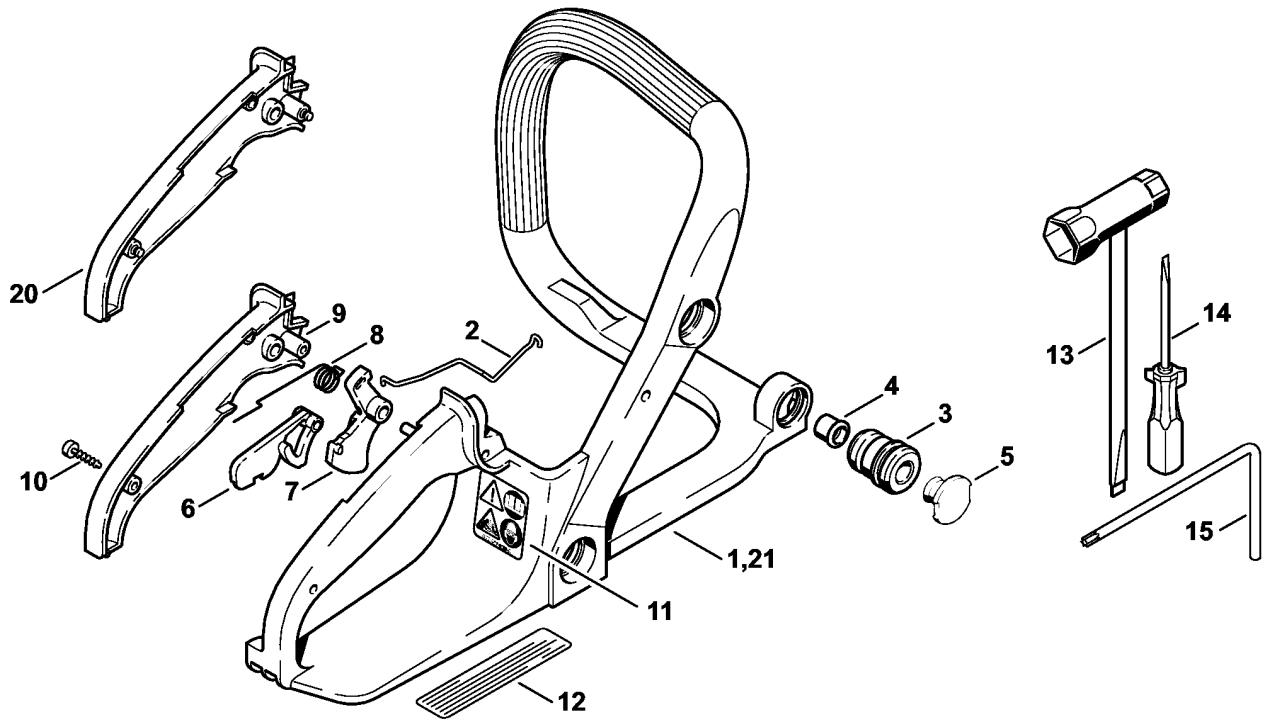
Reference	Item number	Qty	Description	Contains	Up to	Technical Information
	* 1130 120 0600	1	Carburetor WT-325A	1 - 34	244076104	5.2000
1	* 1115 121 5401	1	Valve jet		244076104	5.2000
2	* 4117 122 9402	1	Plug		244076104	5.2000
3	* 1130 121 5400	1	Fixed jet 0.54		244076104	5.2000
4	* 4133 120 8600	1	Non-return valve		244076104	5.2000
5	* 4116 121 5100	1	Inlet needle		244076104	5.2000
6	* 1130 122 3000	1	Spring		244076104	5.2000
7	* 1113 121 5000	1	Inlet control lever		244076104	5.2000
8	* 1113 121 9200	1	Spindle		244076104	5.2000
9	* 1114 122 7400	1	Round head screw		244076104	5.2000
10	* 1113 129 0900	1	Gasket		244076104	5.2000
11	* 1113 121 4705	1	Metering diaphragm		244076104	5.2000
12	* 1113 121 0800	1	End cover		244076104	5.2000
13	* 1106 122 7400	4	Round head screw		244076104	5.2000
14	* 1114 121 7800	1	Strainer		244076104	5.2000
15	* 1121 121 4801	1	Pump diaphragm		244076104	5.2000
16	* 1120 129 0905	1	Gasket		244076104	5.2000
17	* 1123 121 0802	1	End cover		244076104	5.2000
18	* 1114 122 7100	1	Screw		244076104	5.2000
19	* 4117 122 3006	1	Spring		244076104	5.2000
20	* 4117 122 6200	1	Idle speed screw		244076104	5.2000
21	* 1130 122 3200	1	Torsion spring		244076104	5.2000
22	* 1130 120 7100	1	Throttle shaft with lever		244076104	5.2000
23	* 1130 121 3300	1	Throttle shutter		244076104	5.2000
24	* 1115 122 7400	1	Round head screw		244076104	5.2000
25	* 1117 122 9000	1	E-clip		244076104	5.2000
26	* 1130 122 6800	1	Low speed screw		244076104	5.2000
27	* 1115 122 3002	1	Spring		244076104	5.2000
28	* 1111 121 8605	1	Washer		244076104	5.2000
29	* 4124 122 3600	1	Sealing ring		244076104	5.2000
30	* 1123 122 3201	1	Torsion spring		244076104	5.2000
31	* 1123 120 7201	1	Choke shaft with lever		244076104	5.2000
32	* 1110 122 7400	1	Round head screw		244076104	5.2000

(1) 017, (2) 017 C

**Carburetor WT-325 (05.2000)**

Reference	Item number	Qty	Description	Contains	Up to	Technical Information
33	* 1123 122 9000	1	E-clip		244076104	5.2000
34	* 1130 121 2900	1	Choke shutter		244076104	5.2000
35	* 1129 121 5600	1	Fixed jet 0.50 (B)		244076104	5.2000
	* 1123 007 1061	1	Set of carburetor parts	10, 11, 15, 16		
	* 1130 007 1001	1	Repair kit for carburetor	6, 10, 11, 26	37672608	12.1998

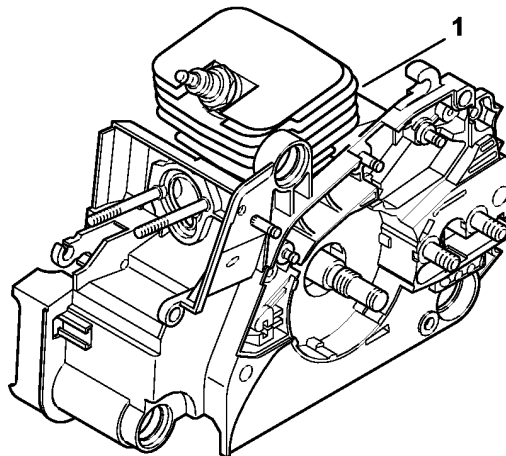
**Handle frame, Tools**



1130-GET-0010-A1

## Handle frame, Tools

Reference	Item number	Qty	Description	Up to	Technical Information
1	1130 791 4901	1	Handle frame		
2	1130 182 1502	1	Throttle rod		
3	1123 791 2800	1	Annular buffer		
4	1123 791 7305	1	Plug		
5	1123 791 7300	1	Plug		
6	1130 182 0800	1	Lockout lever		
7	1130 182 1000	1	Throttle trigger		
8	1117 182 4500	1	Torsion spring		
9	1130 791 0601	1	Handle molding		
10	9074 478 3075	2	Pan head self-tapping screw IS-P4x19		
11	0000 967 7250	1	Warning pictogram MS		
12	0000 967 3579	1	Instruction label USA		
13	1129 890 3401	1	Combination wrench		
14	0000 890 2300	1	Screwdriver		
15	0812 370 1000	1	Screwdriver T27x120x70 (B)		
20	* 1130 791 0600	1	Handle molding	244076104	5.2000
21	* 1130 791 4900	1	Handle frame	244076104	5.2000



206ET036 SC

## Serial number

---

Reference	Qty	Description
1	1	Position of serial number

---