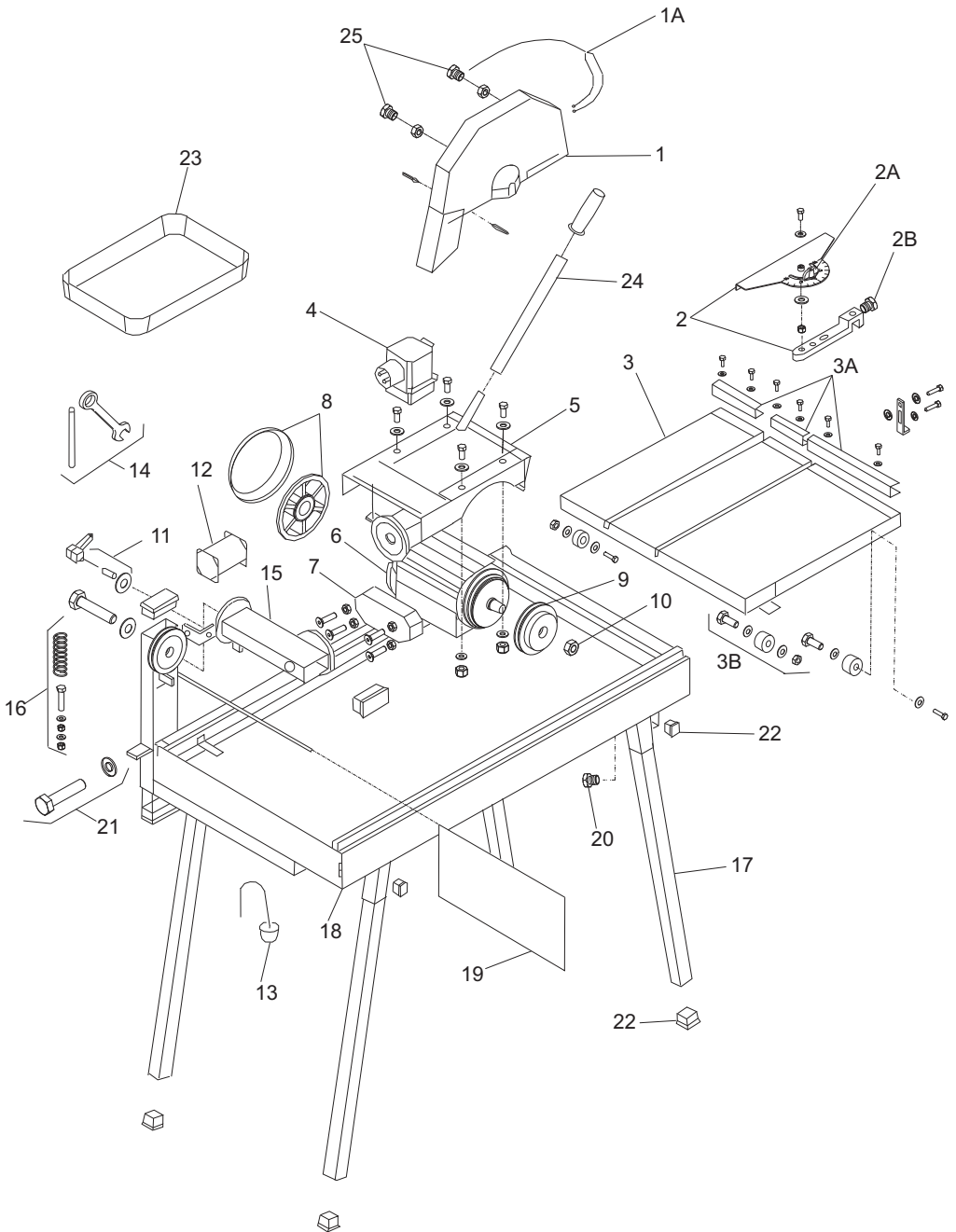


# BC 350



ITEM <sup>(1)</sup> NO	PART <sup>(2)</sup> NO	DESCRIPTION <sup>(3)</sup>	ITEM <sup>(1)</sup> NO	PART <sup>(2)</sup> NO	DESCRIPTION <sup>(3)</sup>
1	171.2.001	<b>Blade Guard Ø350</b> <i>Blade Guard 350mm Rubber Protection Curtain</i>	13	171.2.021	<b>Rubber Plug With Chain</b> <i>Black Rubber Plug 42Æ x 34Æ x 30mm Bolt 4.2 x 9.5mm DIN 7981 2 Fixing Rings Metallic Chain</i>
1a	171.2.002	<b>Cooling System Kit</b> <i>Plastic Hose Pipe Tap Valve Metallic Fork</i>	14	171.2.022	<b>Spanners For Motor Shaft</b> <i>Nut &amp; Motor Shaft Hole</i>
2	171.2.003	<b>Adjustable Angle Ruler Kit</b> <i>Ruler Plastic Knob c/w Bolt 8 x 16mm Plastic Knob c/w Bolt 8 x 40mm</i>	15	171.2.023	<b>Cutting Head HOlDING Beam</b> <i>Black Plastic Plug 80 x 40 x 3mm</i>
2a	171.2.004	<b>Plastic Knob Kit c/w Screw 8 x 16mm</b>	16	171.2.024	<b>Spring Kit For Cutting</b> <i>Head Tightening Spring, 30Æ x 5Æ x 110mm Ring Type Bolt, 8 x 60mm 2 Hexagonal Nuts 8mm DIN 934 2 Washers 8mm Æ DIN 125</i>
2b	171.2.005	<b>Plastic Knob Kit c/w Screw 8 x 40mm</b>	17	171.2.025	<b>Legs Kit</b> <i>4 Legs BC350 4 Plastic Knobs c/w Bolt Metric 10 x 20mm Length 4 Black Squared Plastic Plugs K35 – 35mm Side Length</i>
3	171.2.006	<b>Sliding Cart BC350</b> <i>Sliding Cart c/w 3 Black Rubber Mats 3 Rulers 6 Bolts 8 x 15mm Length DIN 933 6 Washers 8mm Æ DIN 125 4 Bolts 8mmx40mm DIN 912 8 Washers 8mm Æ DIN 125 4 Hexagonal Nuts 8mm DIN 934</i>	18	171.2.026	<b>Water Basin Unit</b> <i>2 Black Plastic Plugs 80 x 40 x 3mm 4 Black Plastic Plugs 30 x 20mm Black Protection Curtain Allen Type Bolt 8 x 30mm DIN 913 Hexagonal Nut 8mm DIN 934 Bolt, 20 x 80 x 1,5mm Washer 20mm Æ DIN 125 2 BC350 Decals</i>
3a	171.2.007	<b>Ruler Kit c/w Nuts &amp; Bolts</b> <i>3 Rulers 6 Bolts 8 x 15mm DIN 933 6 Washers 8mm Æ DIN 125</i>	19	171.2.027	<b>Protection Curtains</b>
3b	171.2.008	<b>Wheel Kits For Sliding Carts</b> <i>2 Flat Wheels 2 Prism Wheels 4 Bolts 8 x 40mm DIN 912 8 Washers 8mm Æ DIN 125 4 Hexagonal Nuts 8mm DIN 934</i>	20	171.2.028	<b>Plastic Knob Kit M10 x 20</b> <i>4 Plastic Knobs With Bolt 10 x 20mm</i>
4	171.2.009	<b>Switch Intake Socket</b> <i>Single phased 220v 50Hz 16A</i>	21	171.2.029	<b>Screw Kit M20 For</b> <i>Cutting Head Fixing Bolt, 20 x 80 x 1,5mm Bolt, 20 x 120 x 1,5mm 2 Washers 20mm Æ DIN 125</i>
4	171.2.010	<b>Switch Single Phased 110v 50Hz 20A</b>	22	171.2.030	<b>Plastic Plug Kits</b> <i>3 Black Plastic Plugs 80 x 40 x 3mm 4 Black Plastic Plugs 30 x 20mm 4 Black Plastic Plugs K35 – 35mm Side</i>
4	171.2.034	<b>Switch-Intake Socket</b> <i>3 Phased 380/400v 50Hz 16A</i>	23	171.2.031	<b>Plastic Tray For Water Pump</b>
5	171.2.011	<b>Complete Cutting Head BC350</b> <i>Cutting Head Platform Bolt 20 x 120 x 1.5mm Washer 20mm Æ DIN 125 4 Bolts, 8 x 30mm DIN 933 4 Washers 8mm Æ DIN 125 4 Hexagonal Nuts 8mm DIN 934 2 Allen Type Bolts 8 x 30mm DIN 913 2 Hexagonal Nuts 8mm DIN 934 Cutting Head Lever c/w Rubber Grip</i>	24	171.2.032	<b>Cutting Head Lever</b> <i>Cutting Head Lever BC350 Rubber Grip</i>
6	171.2.012	<b>Motor Single Phased</b> <i>3Hp 2.2kW 220v-50Hz 3000rpm</i>	25	171.2.033	<b>Nuts Kit For Blade Guard</b> <i>4 Plastic Knobs With Nut 8mm</i>
6	171.2.013	<b>Motor Single Phased</b> <i>3Hp 2.2kW 110v-50Hz 3000rpm</i>	<b>NOT SHOWN</b>		
6	171.2.035	<b>Motor 3 Phased</b> <i>4Hp-3kW 380/400-Hz 3000rpm Each Motor Is Supplied With: Motor Cooling Fan Black Fan Cover Electrical Junction Box Cover</i>	-	171.2.040	Capacitor 132mF
7	171.2.014	<b>Electrical Junction Bolt For Mixer</b>	-	171.2.041	Capacitor 40mF
8	171.2.015	<b>Motor Cooling Fan &amp; Fan Cover</b>			
9	171.2.016	<b>Flanges Kit</b> <i>Interior Flange Exterior Flange</i>			
10	171.2.017	<b>Nut For Motor Shaft</b> <i>Hex Nut c/w Screw, 20mm DIN 934</i>			
11	171.2.018	<b>Blocking Handle 80P M10 x 50</b> <i>Blocking Handle c/w Bolt 10 x 50mm Washer 30Æ x 10.5Æ x 4mm Thick Metallic Cylindrical Case</i>			
12	171.2.019	<b>Water Pump 220/380v 50Hz 40W</b>			
12	171.2.020	<b>Water Pump 110v 50/60Hz 40W</b>			