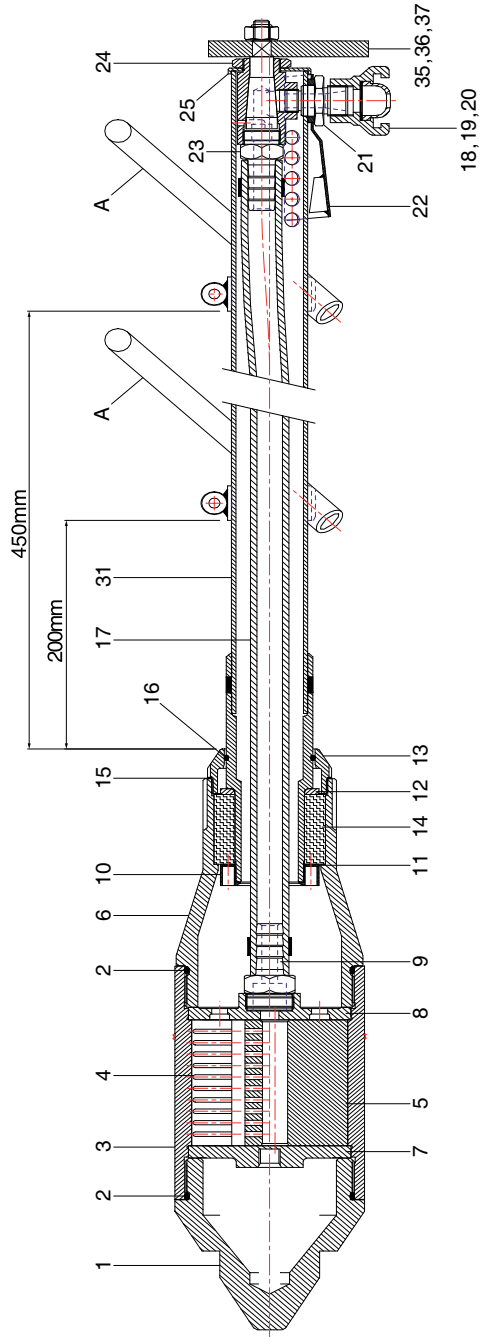
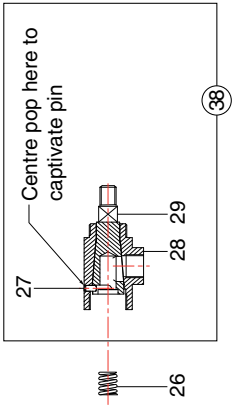
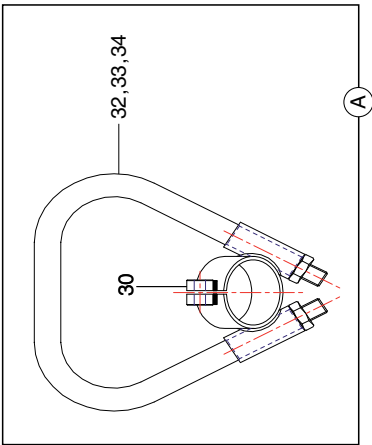


BGP 27 - 107

Item	BGP 27	BGP 37	BGP 47	BGP 57	Qty	BGP 67	BGP 77	BGP 87	BGP 107	Qty	Description
1	44.16.310	44.16.206	44.16.216	44.16.227	1	44.16.265	44.03.551	44.01.602	44.16.246	1	Nose Piece
2	44.16.14	44.00.779	44.01.808	44.02.126	2	44.02.268	44.02.330	44.01.600	44.16.251	2	O-Ring
3	-	-	-	-	1	44.16.260	44.16.230	44.16.380	44.16.420	1	Front Closure Plate
4	44.16.301	44.16.201	44.16.211	44.16.221	1	44.16.261	44.16.231	44.16.381	44.16.241	1	Housing
5	44.16.302	44.02.202	44.16.212	44.16.222	1	44.16.262	44.16.232	44.16.382	44.16.242	1	Rotor
6	44.16.303	44.16.203	44.16.213	44.16.223	1	44.16.263	44.16.233	44.16.383	44.16.243	1	Vane
7	44.16.304	44.16.204	44.16.214	44.16.224	1	44.16.264	44.16.234	44.16.384	44.16.244	1	Rear Closure Plate
8	44.16.307	44.16.134	44.07.704	44.07.663	1	44.07.667	44.07.688	44.07.110	44.16.252	1	Locking Ring
9	-	-	44.05.521	44.16.225	1	44.16.225	44.16.235	44.16.245	44.16.245	1	Inlet Hose Connector
10	44.16.313	44.00.137	44.00.137	44.05.456	2	44.05.456	44.05.211	44.05.211	44.05.211	2	Inlet Hose Clip
11	44.46.073	44.00.788	44.00.788	44.01.583	1	44.01.583	44.00.540	44.00.540	44.00.540	1	Inlet Hose
12	44.16.306	44.02.622	44.07.701	44.01.576	1	44.16.266	44.03.553	44.01.601	44.16.247	1	Rear Body
13	-	44.02.623	44.01.730	44.01.582	1	44.01.582	44.01.604	44.01.604	44.01.604	1	Hose Sleeve
14	-	-	-	44.01.478	1	44.01.478	44.01.479	44.01.479	44.01.479	1	Hose Protection Spring
15	44.00.171	44.02.021	44.07.985	44.01.584	1	44.01.584	44.00.541	44.00.541	44.00.541	1	Hose
16	44.03.679	44.03.679	44.02.392	44.00.075	1	44.00.075	44.00.076	44.00.076	44.00.076	1	Exhaust Hose Clip
17	44.16.040	44.10.225	44.10.224	44.10.223	1	44.10.223	44.10.222	44.10.222	44.10.222	1	Exhaust
18	44.16.311	44.10.588	44.10.588	44.10.221	1	44.10.221	44.10.219	44.10.219	44.10.219	1	Inlet Hose Connector
30	166.3.000	166.3.000	166.3.000	166.3.000	1	166.3.000	166.3.000	166.3.000	166.3.000	1	Steel Handle Comp.
31	44.00.081	44.00.081	44.00.081	44.00.081	1	44.00.081	44.00.081	44.00.081	44.00.081	1	Rubber Gland
32	44.00.156	44.00.156	44.00.156	44.00.156	1	44.00.156	44.00.156	44.00.156	44.00.156	1	Gauze Filter
33	44.02.512	44.02.512	44.02.512	44.02.512	1	44.02.512	44.02.512	44.02.512	44.02.512	1	QR Coupling
34	44.02.273	44.02.273	44.02.273	44.02.273	2	44.02.273	44.02.273	44.02.273	44.02.273	2	O-Ring
35	44.02.261	44.02.261	44.02.261	44.02.261	1	44.02.261	44.02.261	44.02.261	44.02.261	1	Handle Shaft
37	44.02.260	44.02.260	44.02.260	44.02.260	1	44.02.260	44.02.260	44.02.260	44.02.260	1	Twist Grip
38	44.02.042	44.02.042	44.02.042	44.02.042	1	44.02.042	44.02.042	44.02.042	44.02.042	1	Adapter
39	44.10.270	44.10.270	44.10.270	44.10.270	1	44.10.270	44.10.270	44.10.270	44.10.270	1	Lubricator (Complete)
40	44.10.289	44.10.289	44.10.289	44.10.289	1	44.10.289	44.10.289	44.10.289	44.10.289	1	Lubricator Tube
41	44.10.273	44.10.273	44.10.273	44.10.273	1	44.10.273	44.10.273	44.10.273	44.10.273	1	Rubber Washer
42	44.10.271	44.10.271	44.10.271	44.10.271	1	44.10.271	44.10.271	44.10.271	44.10.271	1	O-Ring
43	44.2.254	44.2.254	44.2.254	44.2.254	1	44.2.254	44.2.254	44.2.254	44.2.254	1	O-Ring
44	44.02.265	44.02.265	44.02.265	44.02.265	1	44.02.265	44.02.265	44.02.265	44.02.265	1	Oil Filler Screw
46	44.02.520	44.02.520	44.02.520	44.02.520	1	44.02.520	44.02.520	44.02.520	44.02.520	9	Felt
47	44.02.521	44.02.521	44.02.521	44.02.521	1	44.02.521	44.02.521	44.02.521	44.02.521	1	Bleedwire
-	-	44.05.994	44.05.550	44.01.577	1	44.19.145	44.03.611	-	-	1	Rubber Nosepiece

Item	Part Number	Description
-	166.3.001	Service Kit - BGP 27 (Contains items: 1A, 2, 6, 7, 8, 10, 31, 32, 34)
-	166.3.002	Service Kit - BGP 37 (Contains items: 2, 6, 7, 8, 10, 16, 31, 32, 34)
-	166.3.003	Service Kit - BGP 47 (Contains items: 1A, 2, 6, 7, 8, 10, 16, 31, 32, 34)
-	166.3.004	Service Kit - BGP 57 (Contains items: 1A, 2, 6, 7, 8, 10, 16, 31, 32, 34)
-	166.3.005	Service Kit - BGP 67 (Contains items: 2, 3, 6, 7, 8, 10, 16, 31, 32, 34)
-	166.3.006	Service Kit - BGP 77 (Contains items: 2, 3, 6, 7, 8, 10, 31, 32, 34)
-	166.3.007	Service Kit - BGP 87 (Contains items: 2, 3, 6, 7, 8, 10, 31, 32, 34)
-	166.3.008	Service Kit - BGP 107 (Contains items: 2, 3, 6, 7, 8, 10, 31, 32, 34)



BGP 155

Item	Part Number	Description	Qty
1	44.07.500	NOSE PIECE	1
2	44.01.534	O RING (3.53 X 120 L/D)	2
3	44.07.501	HOUSING	1
4	44.16.353	VANE	1
5	44.07.503	ROTOR	1
6	44.01.533	REAR BODY	1
7	44.07.502	FRONT CLOSURE PLATE	1
8	44.07.504	REAR CLOSURE PLATE	1
9	44.01.528	INLET HOSE CONNECTER (M36 L/H)	1
10	44.01.539	NUT (BRUSH SUPPORT TUBE)	1
11	44.01.542	FRONT SPACER	1
12	44.01.544	REAR SPACER	1
13	44.01.538	NUT (REAR BODY)	1
14	44.01.540	BUSH (SHOCK ABSORBING)	1
15	44.01.541	SEALING RING REAR	1
16	44.02.330	O RING (3.53 X 62 L/D)	1
17	44.02.021	INLET HOSE (830MM LONG)	1
18	44.01.654	QUICK RELEASE JOINT (3/4" BSP FEMALE)	1
19	44.00.081	RUBBER GLAND	1
20	44.00.156	GAUZE FILTER	1
21	44.01.552	AIR INLET ADAPTER	1
22	44.01.646	EXHAUST DEFLECTER	1
23	44.01.636	HOSE FITTING	1
24	44.01.564	NUT (M28 X 1.5 PITCH)	1
25	44.07.564	COVER	1
26	44.01.642	COIL SPRING	1
27	44.38.846F	PIN	1
28	44.01.641	REAR INLET BODY	1
29	44.01.644	REAR INLET VALVE	1
30	44.16.366	HANDLE CLAMP (ASSEMBLY)	2
30A	44.01.555	TUBE (FLEXIBLE HANDLE)	2
30B	44.16.367	CLAMP COLLAR	2
30C	7/8047	SETSCREW (M8 X 40)	2
30D	8/8008	NUT (M8 NYLOC)	2
30E	4/8006	WASHER (M8)	2
31	44.16.363	SUPPORT TUBE (ASSEMBLY)	1
31A	44.01.536	BUSH SUPPORT TUBE	1
31B	44.16.364	RIGID EXHAUST TUBE	1
32	44.01.657	FLEXIBLE HANDLE (ASSEMBLY)	2
32A	44.01.556	FLEXIBLE HANDLE CONNECTER	2
33	44.01.559	NUT (NYLOC THIN TYPE M14 X 2.0 PITCH)	4
34	4/1402	WASHER (FLAT M14)	4
35	44.01.548	AIR VALVE HANDLE	1
36	44.01.403	NUT (NYLOC M12 THIN)	1
37	4/1204	WASHER (FLAT M12)	1
38	44.03.288	VALVE ASSEMBLY COMPLETE	1