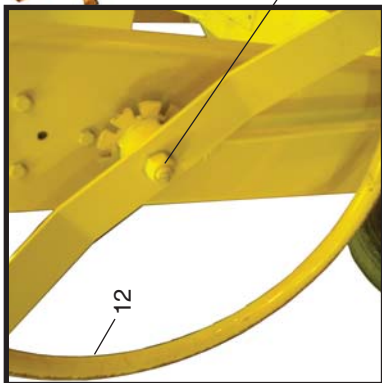
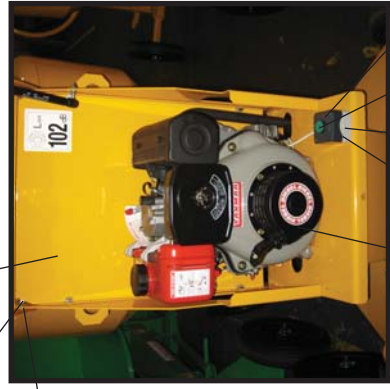
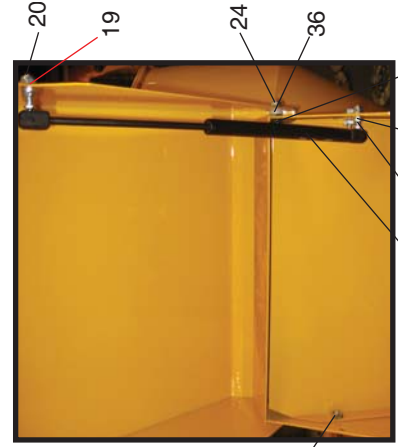
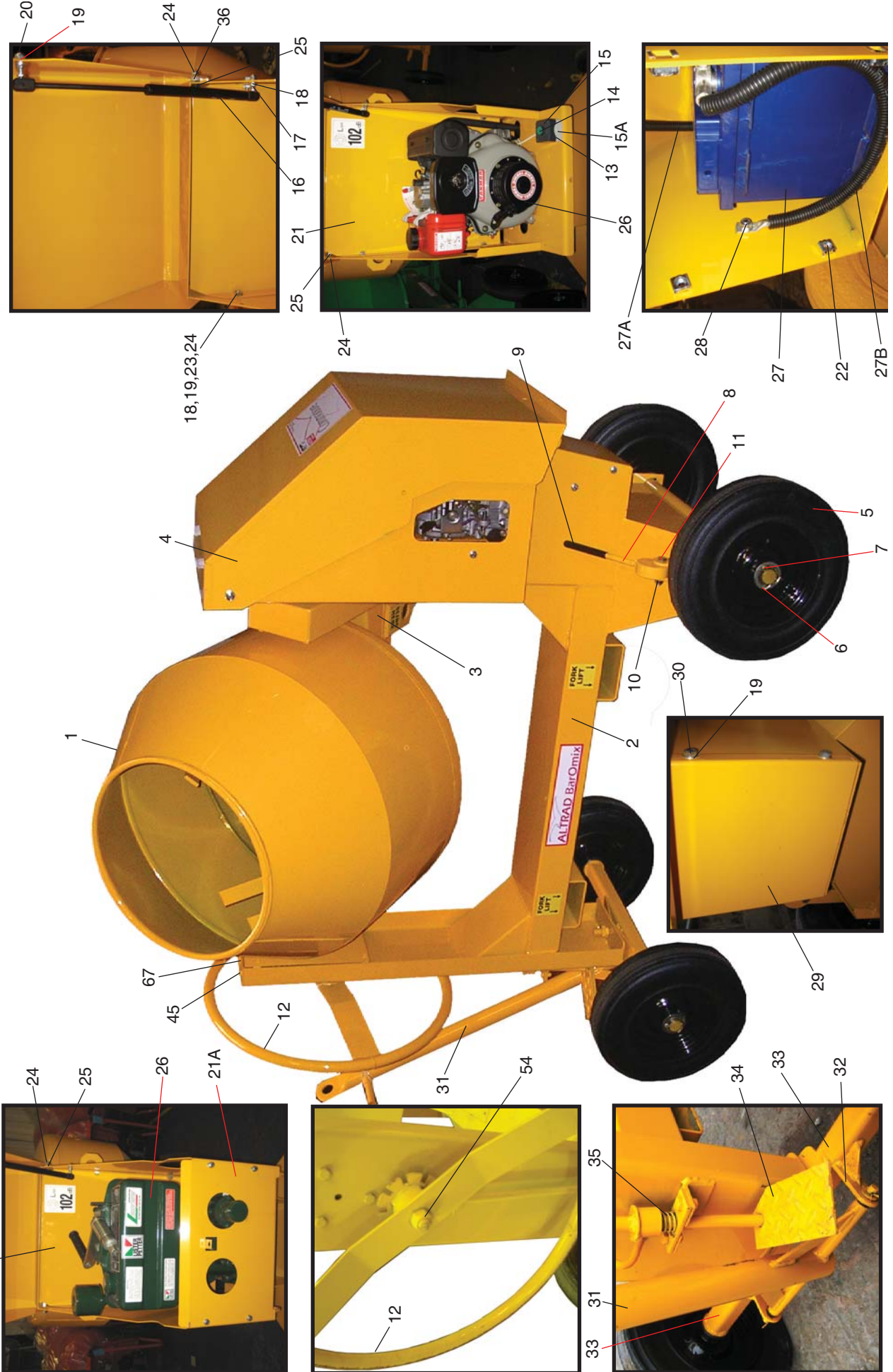




BarOmix

COMMODORE
5 - 3.5 & 7 - 5 DIESEL

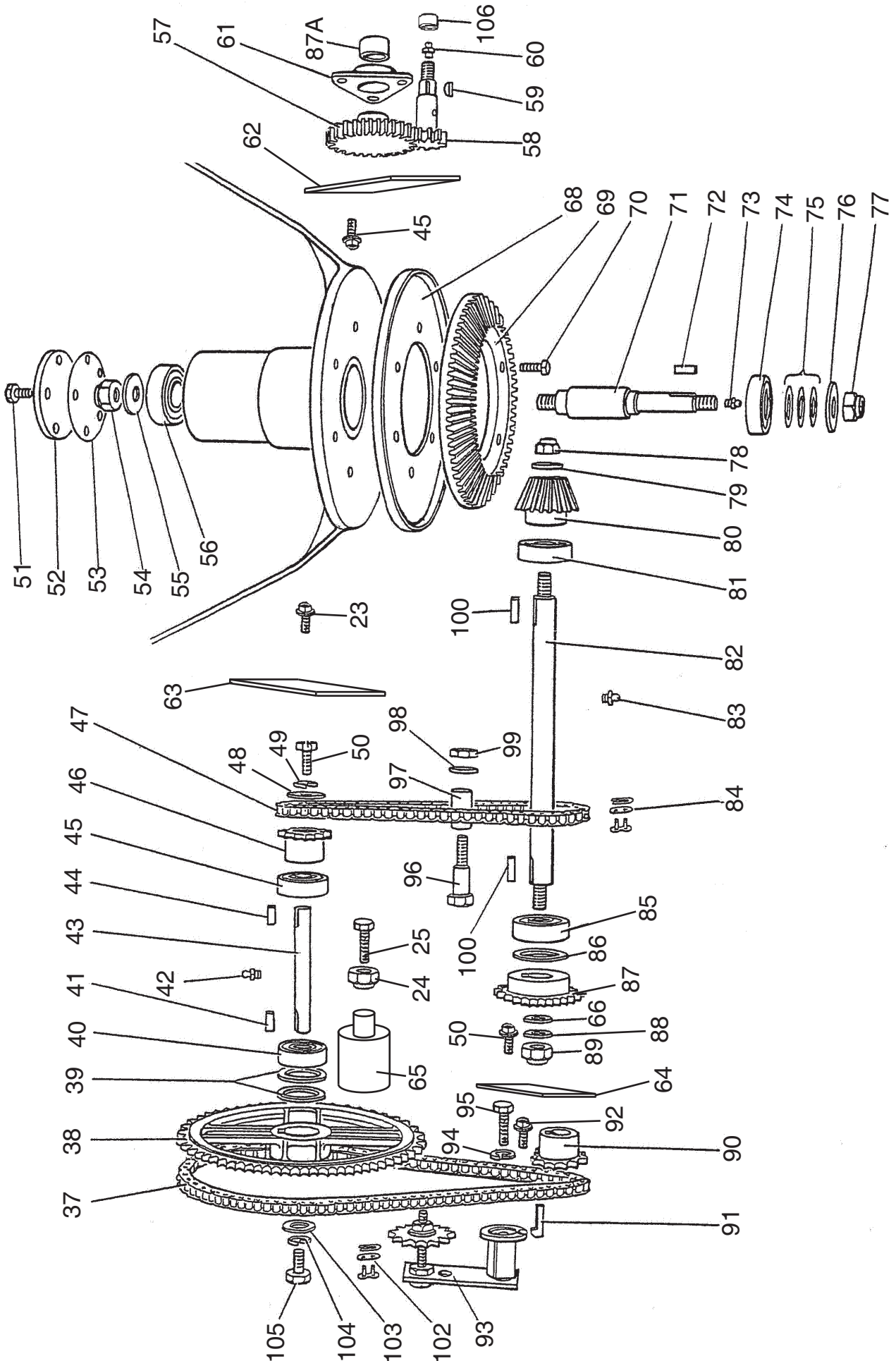




BarOmix

COMMODORE

5 - 3.5 & 7 - 5 DIESEL



ITEM NO. ⁽¹⁾	PART NO. ⁽²⁾	DESCRIPTION ⁽³⁾	QTY ⁽⁴⁾	ITEM NO. ⁽¹⁾	PART NO. ⁽²⁾	DESCRIPTION ⁽³⁾	QTY ⁽⁴⁾
1	175200A	DRUM (5 - 3.5)	1	52	40049	DRUM BOSS CAP	1
1	175201A	DRUM (7 - 5)	1	53	50101	INSPECTION COVER GASKET	1
2	175001A	CHASSIS (YANMAR)	1	54	20025	NYLOC NUT - M20	1
2	175096	CHASSIS (LISTER)	1	55	20027	WASHER - M24 FORM G	1
3	175300A	YOKE (5 - 3.5)	1	56	50109	DRUM BEARING - 6208 2RS	1
4	175060	CANOPY (YANMAR)	1	57	50075	GEAR - 45T	1
4	175065	CANOPY (LISTER)	1	58	50051	TIPPING PINION & SHAFT - 9T	1
5	50010BM	WHEELS	4	59	20040	WOODRUFF KEY	1
6	10624	WASHER - 1 1/4"	4	60	20053	GREASE NIPPLE - 1/4" BSP	1
7	20013	SPLIT PIN - 1/4" X 2"	4	61	50058	SLING ARM SUPPORT CASTING	1
8	175090	BRAKE HANDLE	1			- TIP GEAR END	
9	50034	SLEEVE	1	63	175321	SLING ARM COVER PLATE	1
10	9/12019	BOLT - M12 X 55	1	64	-	SLING ARM COVER PLATE	1
11	8/12002	NUT - M12	1	65	50060	SLING ARM SUPPORT	1
12	175450	HANDWHEEL (5 - 3.5)	1	66	10016	SPACER SHIMS	2
13	50608	SWITCH BOX (YANMAR)	1	67	175026	SLING ARM COVER PLATE	1
14	50609	BUTTON ASSY (YANMAR)	1	68	50512	CROWN WHEEL COVER	1
15	20066	BOLT - M4 X 20 (YANMAR)	2	69	50510	CROWN WHEEL	1
15A	60006	CABLE GLAND (YANMAR)	1	70	20028	BOLT - M10 X 45	1
16	50605	GAS STRUT	1	71	50121	DRUM SHAFT	1
17	8/8001	PLAIN NUT - M8	2	72	20131	KEY - 1/4" SQ. X 7/8"	1
18	4/8003	SPRING WASHER - M8	8	73	20053	GREASE NIPPLE - 1/4" BSP	1
19	4/8006	FORM 'A' WASHER - M8	10	74	50109	DRUM BEARING - 6208 2RS	1
20	8/8008	NYLOC NUT - M8	2	75	50108	DRUM SHIM WASHER	1
21	175040	CHAIN GUARD (YANMAR)	1	76	20029	PLAIN LIGHT WASHER - 1 1/2"	1
21	175045	CHAIN GUARD (LISTER)	1	77	20030	NYLOC NUT - M30	1
21A	175118	FRONT CHAIN GUARD (LISTER)	1	78	20032	NYLOC NUT - M12	1
22	009397	'H' NUT - M8	8	79	20031	WASHER - M12	1
23	20012	SET PIN - M8 X 20	4	80	50592	BEVEL DRIVE PINION	1
24	8/10006	NYLOC NUT - M10	6	82	50588	DRIVESHAFT - Ø 25MM	1
25	20055	SET PIN - M10 X 30	6	83	20053	GREASE NIPPLE - 1/4" BSP	1
26	175951	ENGINE - YANMAR	1	84	50117	JOINING LINK - 1/2" PITCH	1
26	50150	ENGINE - LISTER	1	87	50580	SPROCKET - 26T 25MM BORE	1
27	100/05300	BATTERY - 12V	1	87A	50119	SHIM - 25MM ID X 35 OD	1
27A	140/05500	POSITIVE BATTERY CABLE	1	88	20031	WASHER - M12 x 36 OD	1
27B	50607	NEGATIVE BATTERY CABLE	1	89	20032	NYLOC NUT - M12	1
28	9/8041	BOLT - M8 X 16	1	90	50151	SPROCKET (LISTER)	1
29	175050	BATTERY CANOPY (5 - 3.5)	1	90	50155	SPROCKET (YANMAR)	1
30	9/8041	BOLT - M8 X 16	4	91	20035/36	JIB HEAD KEY FOR ENGINE	1
31	175080	TOWBAR	1	92	20033	TAP TIGHT SETSCREW - M8 X 16	1
32	175084	TOWBAR SHAFT	1	93	50013BM	CHAIN ADJUSTER (YANMAR)	1
33	175070	AXLE (5 - 3.5)	1	93	50013/L	CHAIN ADJUSTER (LISTER)	1
34	175480	FOOT PEDAL ASSEMBLY	1	94	??	SPRING WASHER - FOR ABOVE	1
35	013034	SPRING	1	95	??	BOLT - M8	1
36	20010	NYLON WASHER - M10	5	96	A4011	CHAIN TENSIONER BOLT	1
37	50120	LENGTH 1/2" PITCH CHAIN C/W JOINING LINK	1	97	50035	NYLON TUBE - Ø 1" X 45MM LONG	1
38	50208	CHAINWHEEL - 76T 25MM BORE	1	98	20037	FLAT WASHER - M16	1
39	50119	SHIM - 25MM ID X 35 OD	6	99	20041	LOCK NUT - M16	1
40	50114	DRIVE BEARING - 25MM BORE	4	100	20039	PLAIN KEY - 1/4" SQ.	1
41	20039	PLAIN KEY - 1/4" SQ. X 1" LG	1	101	50118	1/2 LINKS - 1/2" PITCH	1
42	20053	GREASE NIPPLE (1/4" BSP)	1	102	50117	JOINING LINK - 1/2" PITCH	1
43	50570	TOP DRIVE SHAFT - Ø 25MM	1	103	20024	KEY RETAINING WASHER - M8 X 38	1
44	20039	KEY - 1/4" SQ. X 1" LG	1	104	20023	SPRING WASHER - M8	1
45	20020	SETSCREW - M6 X 16	6	105	20021	SETSCREW - M8 X 16	1
46	50572	SPROCKET - 13T 25MM BORE	1	106	50052	NYLON BUSH	1
47	50585	DRIVE CHAIN & LINK - 1/2" PITCH	1				
48	20024	WASHER - M8 X 38	1				
49	20023	SPRING WASHER - M8	1				
50	20020	SETSCREW - M8 X 20	4				
51	20021	SETSCREW - M8 X 16	1				

Belle Group reserves the right to alter details and specification without notice

- (1) **Item Number** / numéro sur le schéma / número de la ilustración / número da ilustração / afbeeldingsnummer / tegningsnummeret / Teil-Nummer / numero dell'illustrazione
 (2) **Part Number** / Numéro de référence de la pièce / número de pieza / número da parte / stuknummer / Styknummer / Nummer auf der Abbildung / numero di parte
 (3) **Description** / Désignation / Descripción / Descrição / Omschrijving / Beskrivelse / Bezeichnung / Descrizione
 (4) **Quantity** / Quantité / Cantidad / Quantidade / Hoeveelheid / Mengen / Mængde / Quantità