



# Parts Manual

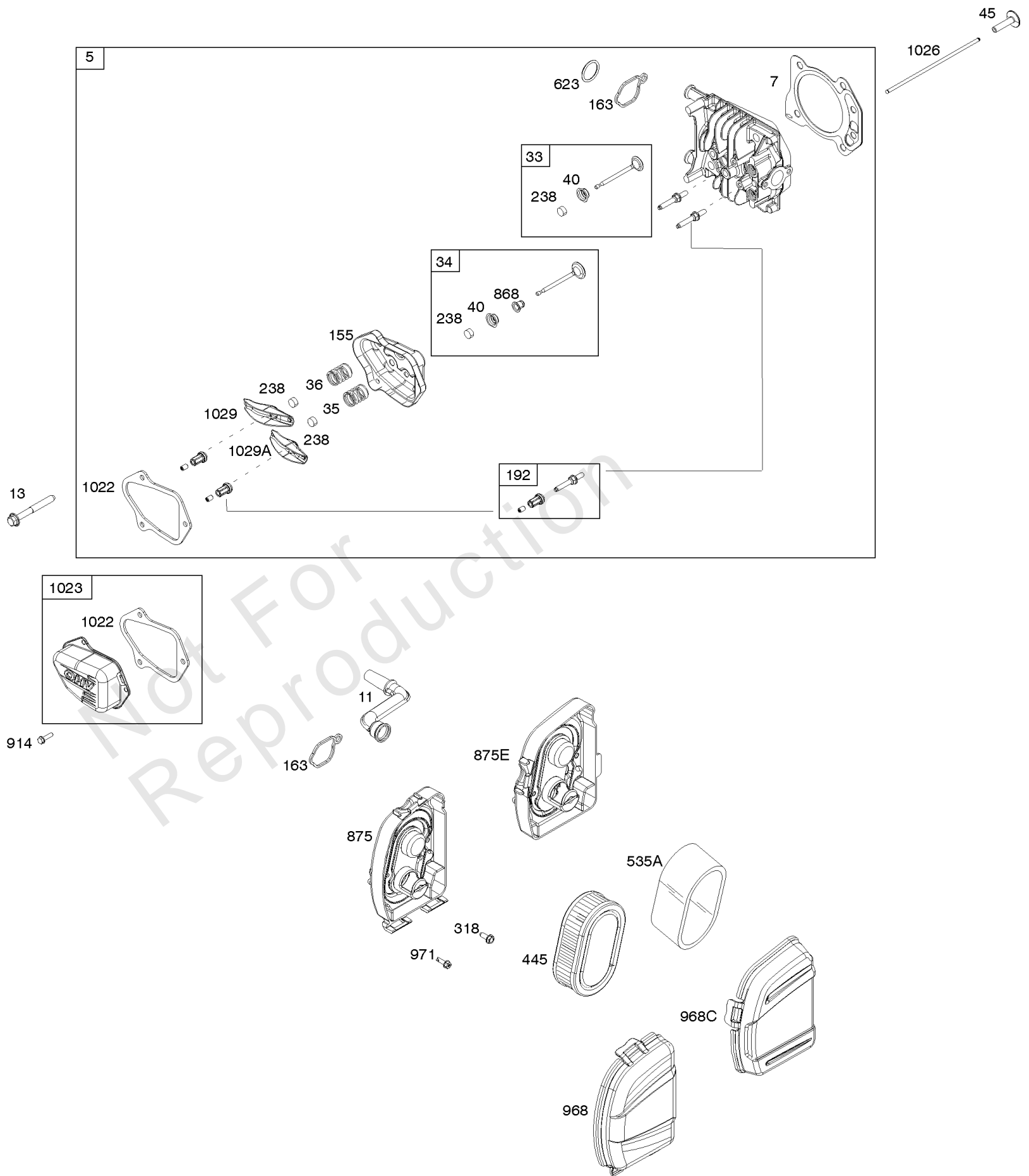
Mfg. No: 104M02-0021-F1



---

<b>Model Components</b>	<b>Page</b>
Air Cleaner, Cylinder Head. ....	4
Armature, Controls, Electrical System, Governor Spring, Spark Plug. ....	6
Blower Housing, Controls, Electrical System, Flywheel. ....	8
Blower Housing, Flywheel, Rewind Starter. ....	10
Blower Housing, In-Start, Motor-Starter. ....	12
Camshaft, Crankshaft, Cylinder, Gasket Set, Piston/Rings/Connecting Rod, Sump, Warning Label. ....	14
Carburetor. ....	18
Exhaust System, Fuel Supply. ....	20
Replacement Engine - US & Canada. ....	22

Not For  
Reproduction

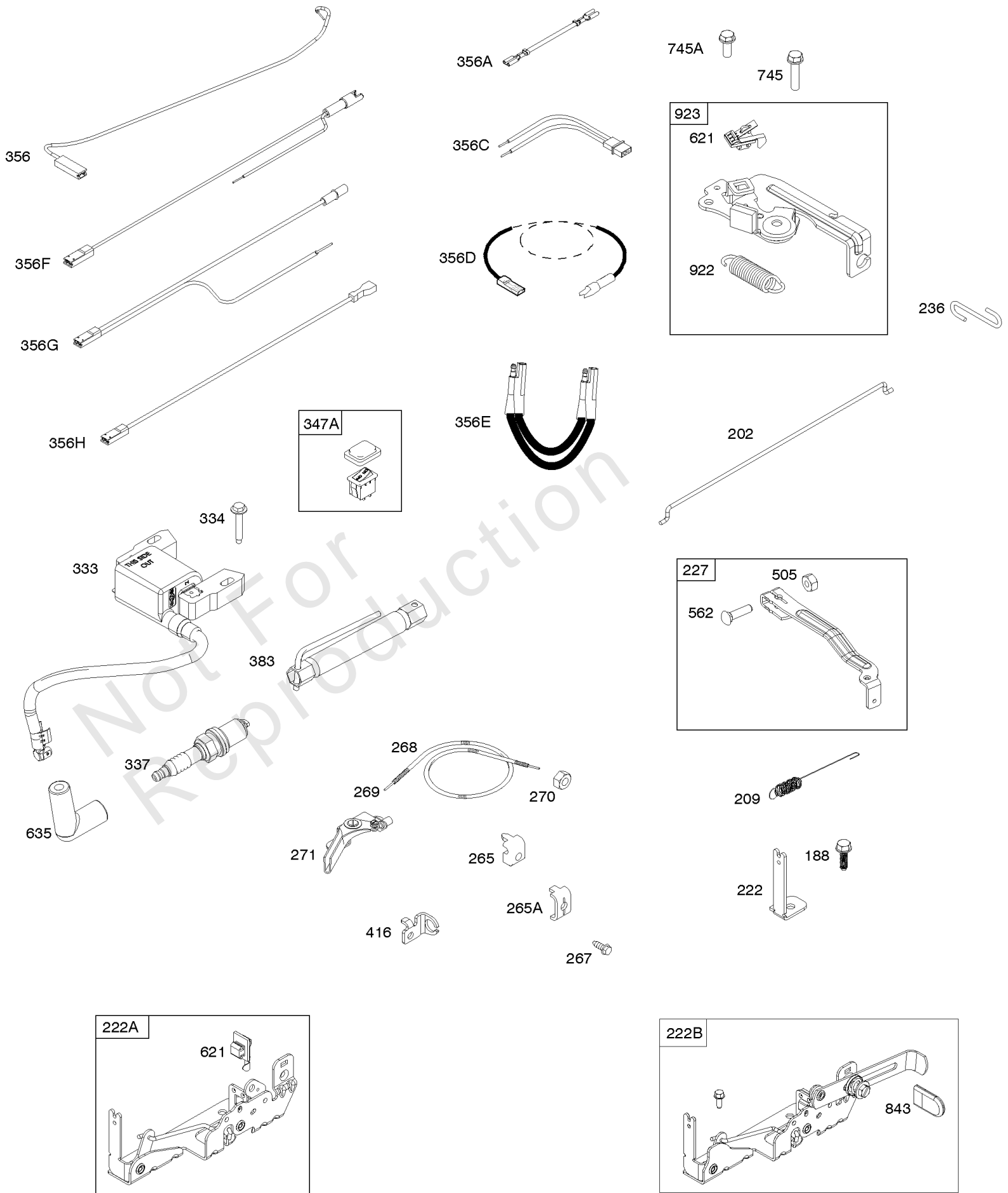


## Air Cleaner, Cylinder Head

REF NO	PART NO	QTY	DESCRIPTION
5	595353		HEAD, Cylinder
7	592358		GASKET, Cylinder Head
11	590522		TUBE, Breather
13	590512		SCREW -(Cylinder Head)
33	594095		VALVE, Exhaust
34	594094		VALVE, Intake
35	590532		SPRING, Valve -(Intake)
36	590532		SPRING, Valve -(Exhaust)
40	594092		RETAINER, Valve
45	590514		TAPPET, Valve
155	594093		PLATE, Cylinder Head
163	799580		GASKET, Air Cleaner -(Air Cleaner)
192	590535		ADJUSTER, Rocker Arm
238	594097		CAP, Valve
318	793480		SCREW -(Mounting Bracket)
445	593260		FILTER, A/C Cartridge
535A	595191		FILTER, Air Cleaner Foam
623	799581		SEAL, O-Ring -(Carburetor Spacer)
868	594096		SEAL, Valve -(Intake)
875	594107		BASE, Air Cleaner
875E	594574		BASE, Air Cleaner
914	591103		SCREW -(Rocker Cover)
968	594106		COVER, Air Cleaner
968C	594575		COVER, Air Cleaner
971	590552		SCREW -(Air Cleaner Base to Carburetor/Throttle Body)
1022	595342		GASKET, Rocker Cover
1023	595352		COVER, Rocker
1026	590515		ROD, Push
1029	590526		ARM, Rocker -(Exhaust)
1029A	590527		ARM, Rocker -(Intake)

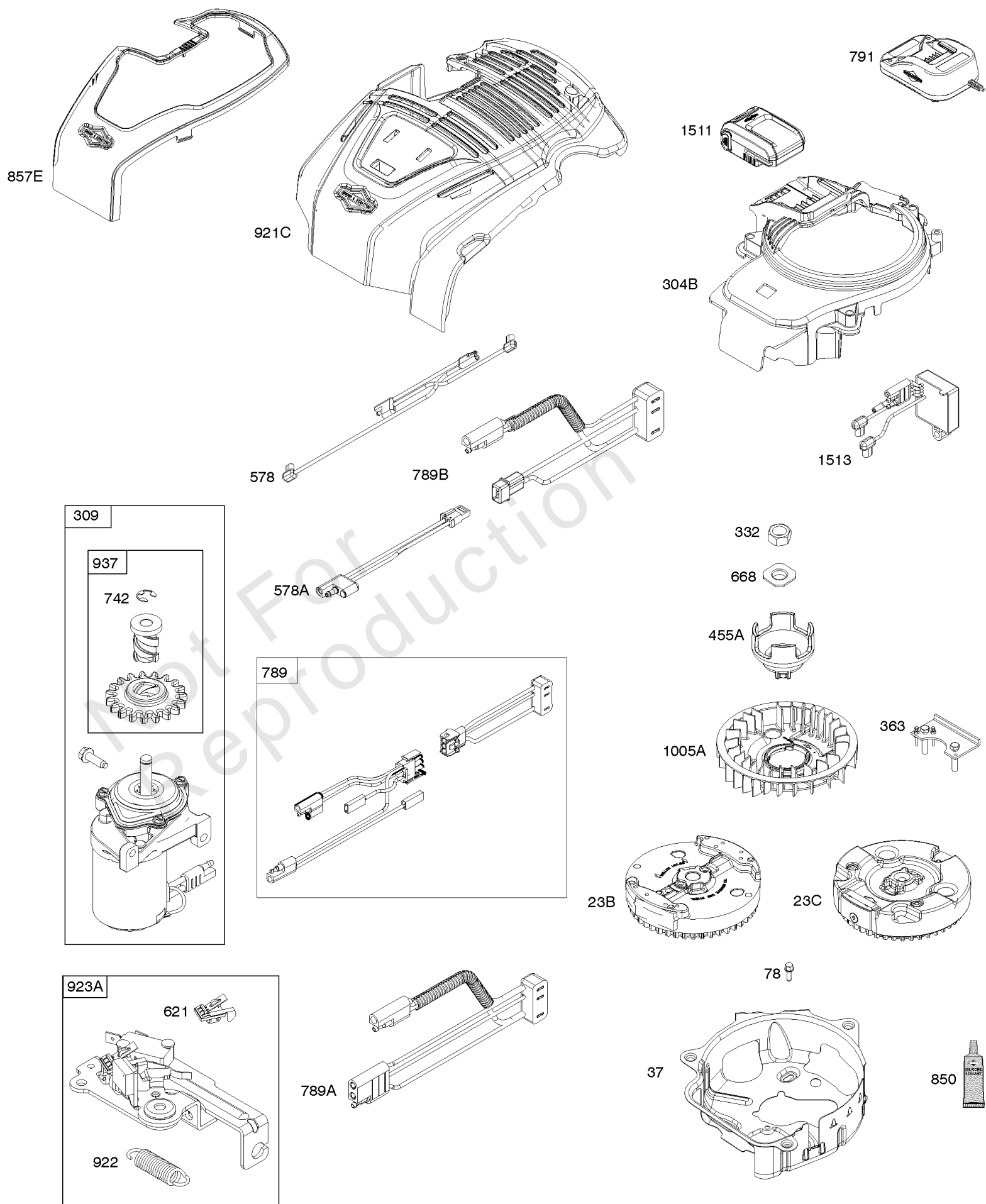
# Armature, Controls, Electrical System, Governor Spring, Spark Plug

Mfg. No: 104M02-0021-F1



## Armature, Controls, Electrical System, Governor Spring, Spark Plug

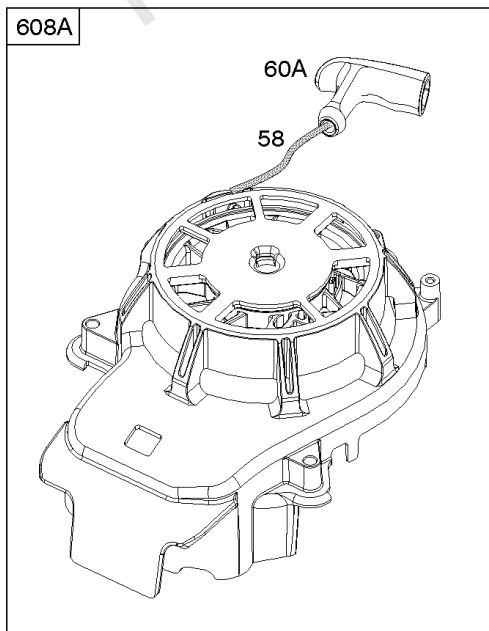
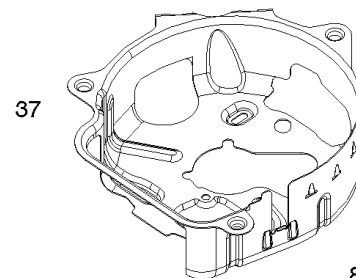
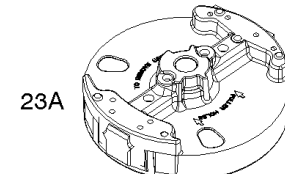
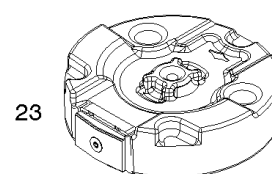
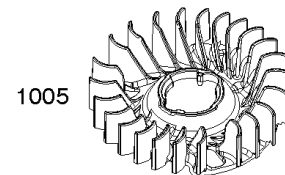
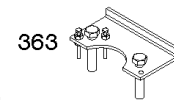
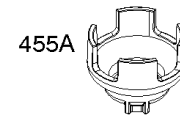
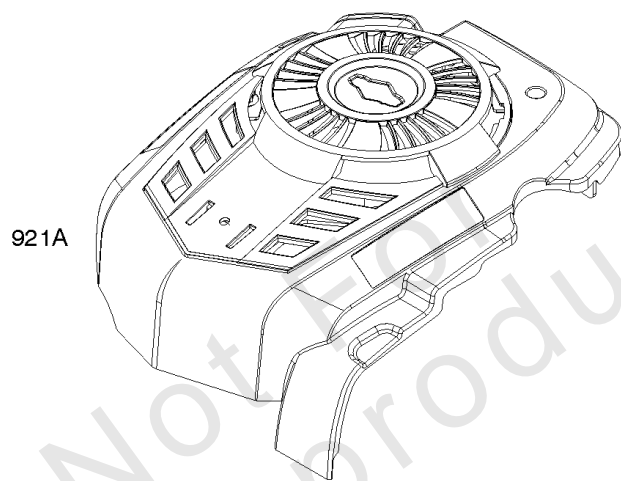
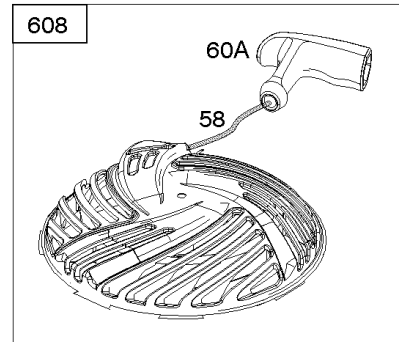
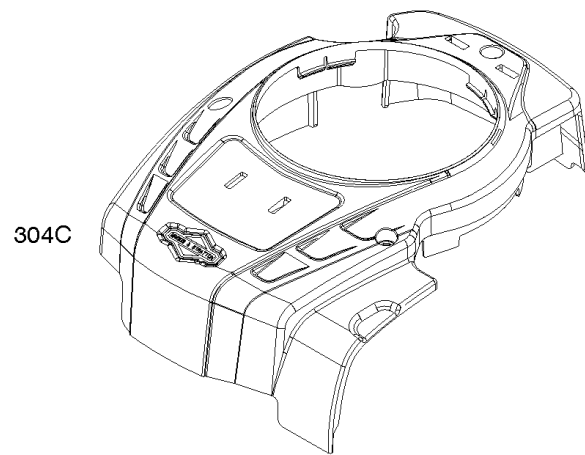
REF NO	PART NO	QTY	DESCRIPTION
188	793480		SCREW -(Control Bracket)
202	590517		LINK, Mechanical Governor
209	590541		SPRING, Governor -Used Before Code Date 17092700
209	596459		SPRING, Governor -Used After Code Date 17092600
222	590560		BRACKET, Control
222A	596458		BRACKET, Control -Used After Code Date 17010100
222A	590561		BRACKET, Control -Used Before Code Date 17010200
222B	593221		BRACKET, Control -Used Before Code Date 17010200
222B	596465		BRACKET, Control -Used After Code Date 17010100
227	590520		LEVER, Governor Control
236	591292		LINK, Lockout
265	690798		CLAMP, Casing
265A	691024		CLAMP, Casing
267	691044		SCREW -(Casing Clamp)
268	691025		CASING, Control Wire -(Cut To Required Length)
269	691026		WIRE, Control -(Cut To Required Length)
270	691027		NUT -(Control Wire Casing)
271	691028		LEVER, Control
333	595009		ARMATURE, Magneto
334	691061		SCREW -(Magneto Armature)
337	594056		PLUG, Spark -(Resistor)
347A	592694		SWITCH, Rocker
356	595018		WIRE, Stop
383	19576S		WRENCH, Spark Plug
416	595196		BRACKET, Throttle Cable
505	793515		NUT -(Governor Control Lever)
562	793514		BOLT -(Governor Lever)
621	692310		SWITCH, Stop
635	692076		BOOT, Spark Plug
745	691146		SCREW -(Brake)
745A	690859		SCREW -(Brake)
843	593215		SLEEVE, Lever
922	692135		SPRING, Brake
923	691487		BRAKE





## ***Blower Housing, Controls, Electrical System, Flywheel***

<b>REF NO</b>	<b>PART NO</b>	<b>QTY</b>	<b>DESCRIPTION</b>
37	594103		GUARD, Flywheel
78	793480		SCREW -(Flywheel Guard)
304B	595186		HOUSING, Blower
309	594360		MOTOR, Starter
332	690662		NUT -(Flywheel)
363	19619		PULLER, Flywheel
455A	593960		CUP, Flywheel
578	595181		WIRE ASSEMBLY
621	692310		SWITCH, Stop
668	590546		SPACER -(Flywheel)
742	93941		RETAINER, E Ring
791	593561		CHARGER, Battery -(Instart)(North America)
791	593562		CHARGER, Battery -(Instart)(Europe)
791	593576		CHARGER, Battery -(Instart)(United Kingdom)
791	595887		CHARGER, Battery -(Instart)(Australia)
850	100106		SEALANT, Liquid
857E	595207		TRIM, Blower Housing Cover
921C	595180		HOUSING, Blower
922	692135		SPRING, Brake
923A	595195		BRAKE
937	799420		SPLINE, Starter
1005A	595182		FAN, Flywheel
1511	593559		BATTERY -(Instart)(North America/Argentina)
1511	593560		BATTERY -(InStart)(Europe/Australia/Japan)
1513	595382		MODULE, Starter

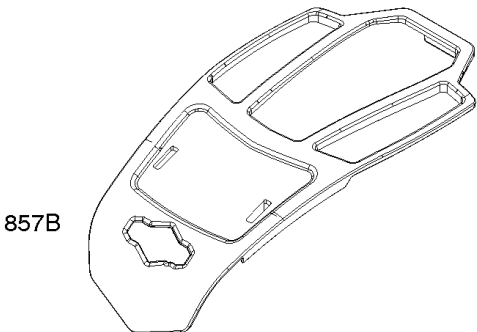
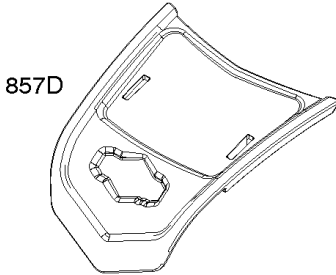
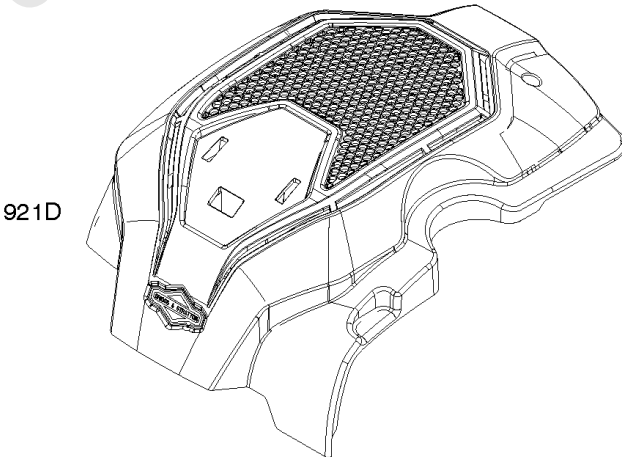
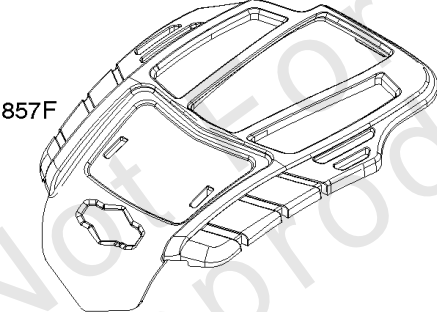
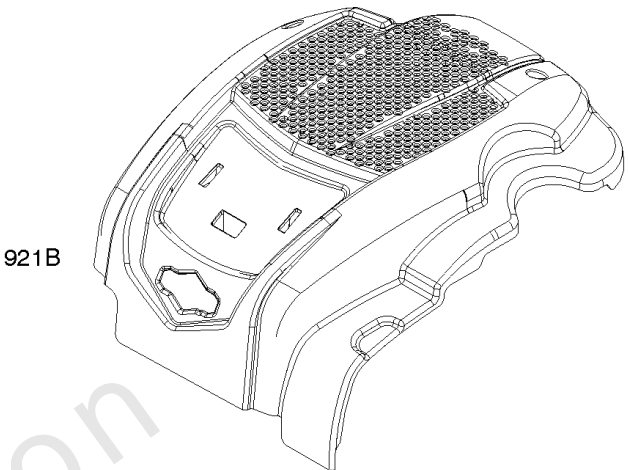
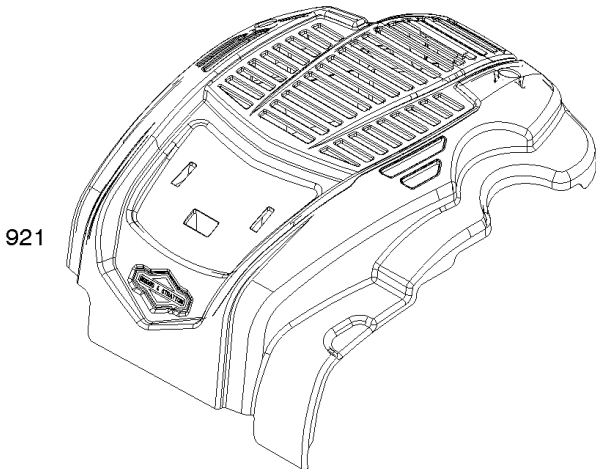


## ***Blower Housing, Flywheel, Rewind Starter***

<b>REF NO</b>	<b>PART NO</b>	<b>QTY</b>	<b>DESCRIPTION</b>
23A	594054		FLYWHEEL
37	594103		GUARD, Flywheel
58	591108		ROPE, Starter
60A	281434S		GRIP, Starter Rope
78	793480		SCREW -(Flywheel Guard)
305	590586		SCREW -(Blower Housing)
332	690662		NUT -(Flywheel)
363	19619		PULLER, Flywheel
455A	593960		CUP, Flywheel
668	590546		SPACER -(Flywheel)
850	100106		SEALANT, Liquid
921A	594550		HOUSING, Blower
1005	594102		FAN, Flywheel
608A	594062		STARTER, Rewind

Not For Reproduction

969 



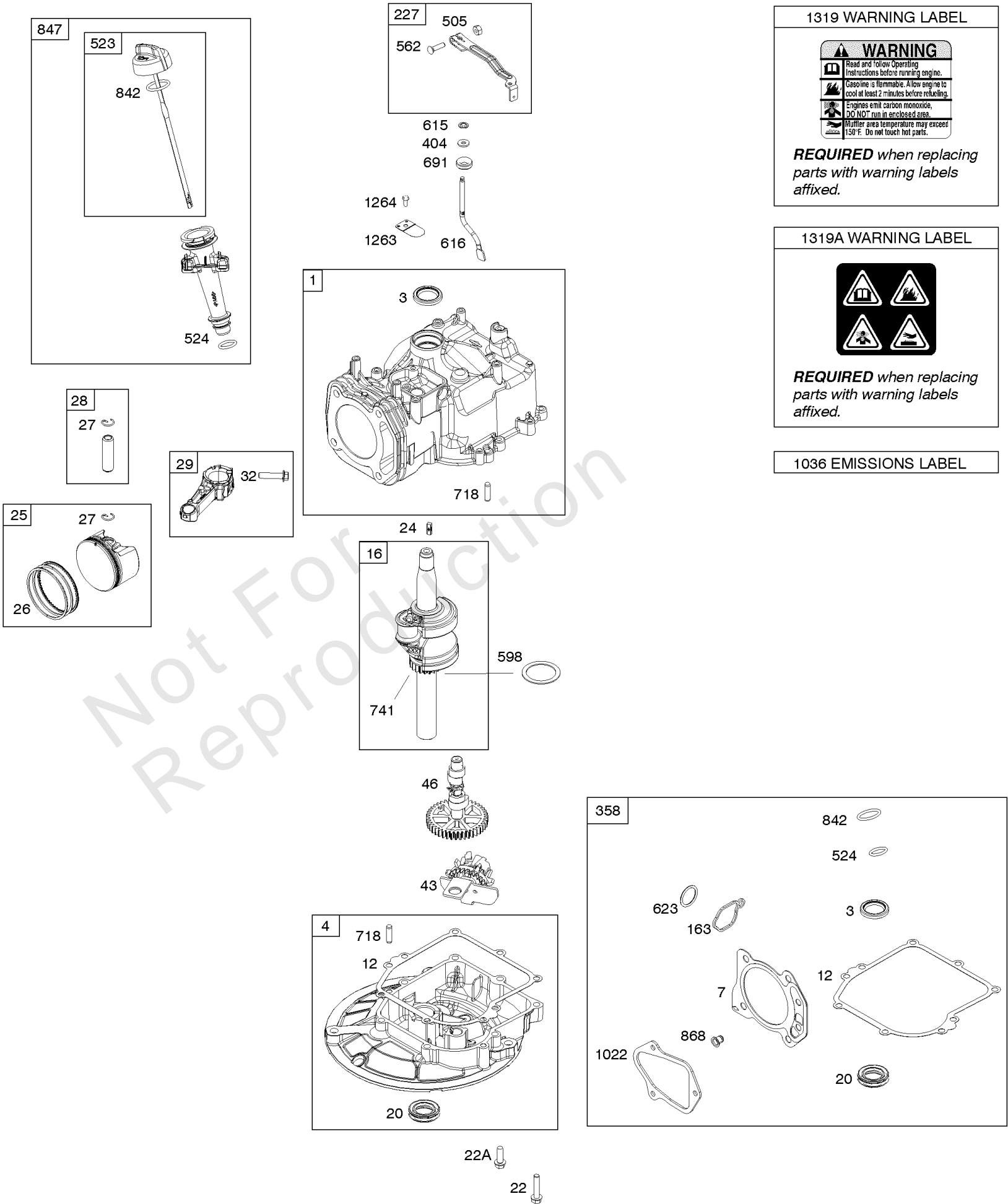
Not for  
Reproduction

## ***Blower Housing, In-Start, Motor-Starter***

---

<b>REF NO</b>	<b>PART NO</b>	<b>QTY</b>	<b>DESCRIPTION</b>
857B	594111		TRIM, Blower Housing Cover
857D	596037		TRIM, Blower Housing Cover
857F	596095		TRIM, Blower Housing Cover
921	594116		COVER, Blower Housing
921B	595212		COVER, Blower Housing
921D	596507		HOUSING, Blower
969	594115		SCREW -(Blower Housing Cover)

Not For Reproduction



1319 WARNING LABEL

**WARNING**

- Read and follow Operating instructions before running engine.
- Gasoline is flammable. Allow engine to cool at least 2 minutes before refueling.
- Engines emit carbon monoxide, **DO NOT** run in enclosed area.
- Muffler area temperature may exceed 150° F. Do not touch hot parts.

**REQUIRED** when replacing parts with warning labels affixed.

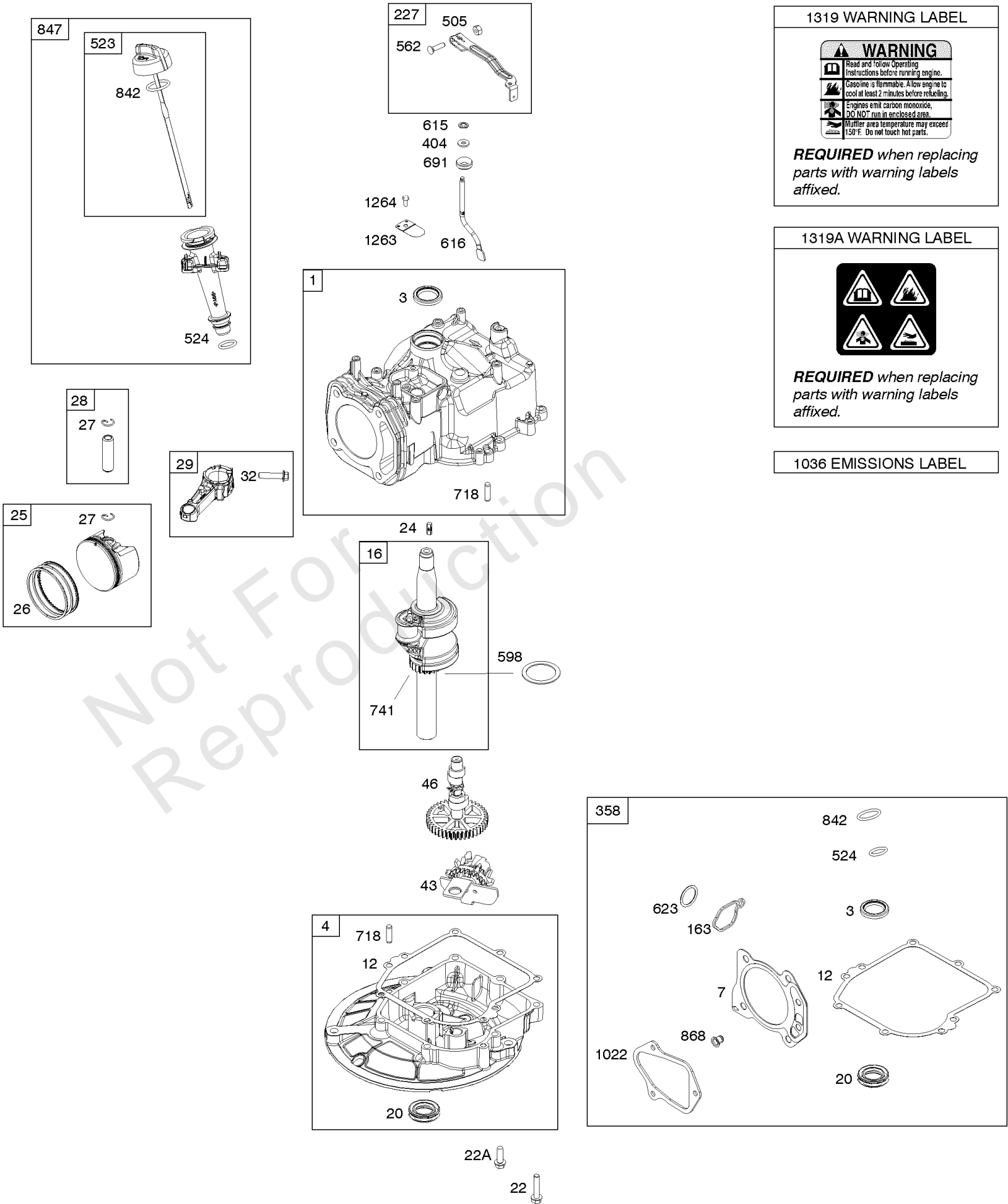
1319A WARNING LABEL

**REQUIRED** when replacing parts with warning labels affixed.

1036 EMISSIONS LABEL

## Camshaft, Crankshaft, Cylinder, Gasket Set, Piston/Rings/Connecting Rod, Sump,

REF NO	PART NO	QTY	DESCRIPTION
1	594100		CYLINDER ASSEMBLY
3	299819S		SEAL, Oil -(Magneto Side)
4	594101		SUMP, Engine
7	592358		GASKET, Cylinder Head
12	799587		GASKET, Crankcase
16	595024		CRANKSHAFT
20	399781S		SEAL, Oil -(PTO Side)
22	692551		SCREW -(Crankcase Cover/Sump)
22A	590763		SCREW -(Crankcase Cover/Sump)
24	222698S		KEY, Flywheel
25	594099		PISTON ASSEMBLY -(Standard)
26	594098		SET, Ring -(Standard)
27	691588		LOCK, Piston Pin
28	298909		PIN, Piston
29	594089		ROD, Connecting
32	691664		SCREW -(Connecting Rod)
43	697799		SLINGER, Governor/Oil
46	594090		CAMSHAFT
163	799580		GASKET, Air Cleaner -(Air Cleaner)
227	590520		LEVER, Governor Control
358	595354		GASKET SET, Engine
404	690272		WASHER -(Governor Crank)
505	793515		NUT -(Governor Control Lever)
523	796503		DIPSTICK
524	691876		SEAL, O-Ring
562	793514		BOLT -(Governor Lever)
598	592587		SHIM, End Play -(Crankshaft or Camshaft Bearing)
615	690340		RETAINER, Governor Shaft
616	590516		CRANK, Governor
623	799581		SEAL, O-Ring -(Carburetor Spacer)
691	593837		SEAL, Governor Shaft
718	690959		PIN, Locating -(Crankcase Cover/Sump)
741	594105		GEAR, Timing -(Plastic)
842	691031		SEAL, O-Ring -(Dipstick Tube)
847	594110		DIPSTICK/TUBE ASSEMBLY
868	594096		SEAL, Valve -(Intake)
1022	595342		GASKET, Rocker Cover
1036	-----		Label-Emissions -(Available From A Briggs & Stratton Authorized Dealer)

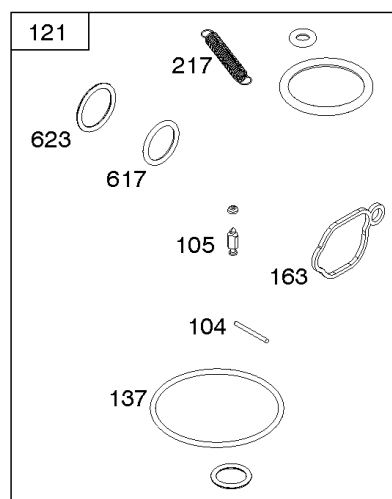
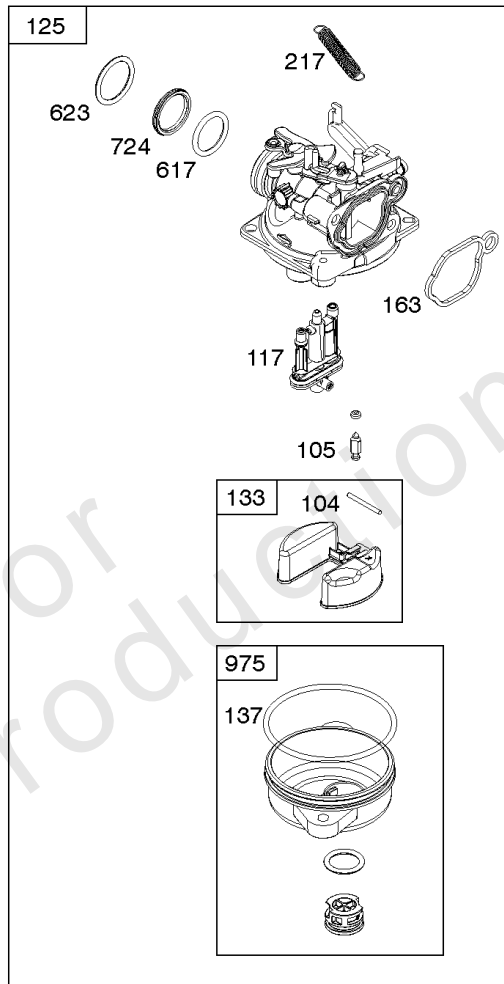
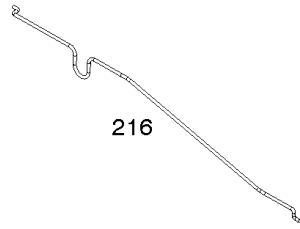
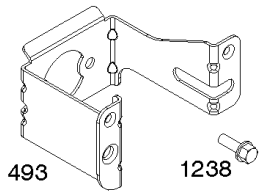
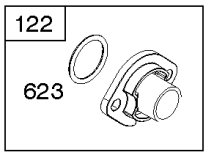




***Camshaft, Crankshaft, Cylinder, Gasket Set, Piston/Rings/Connecting Rod, Sump,***

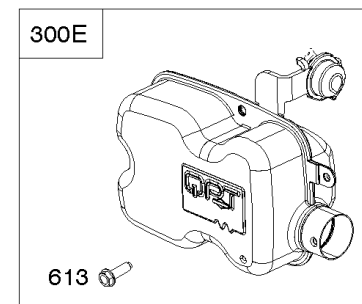
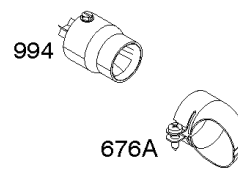
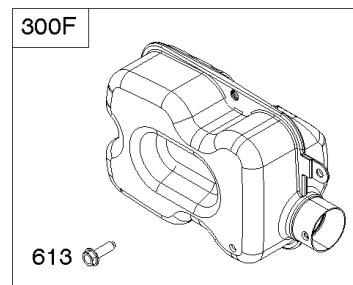
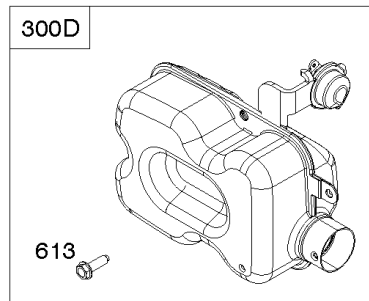
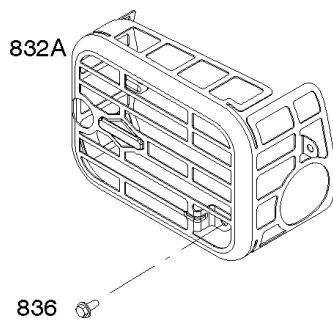
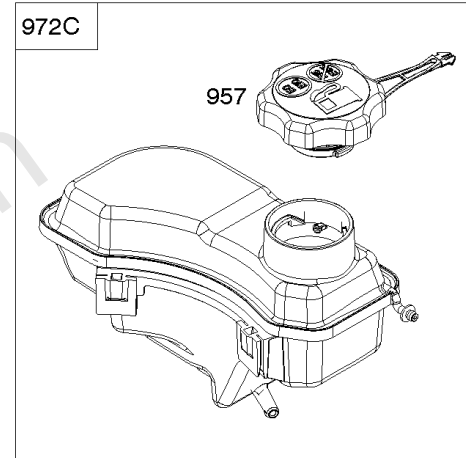
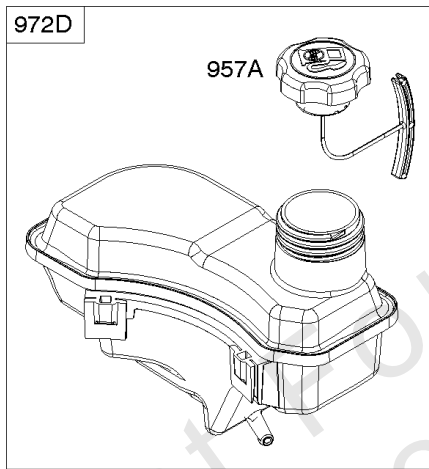
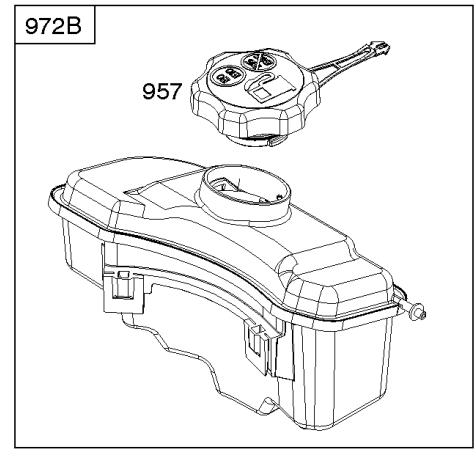
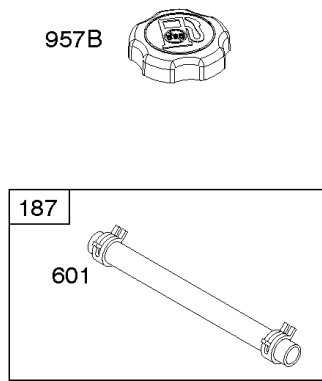
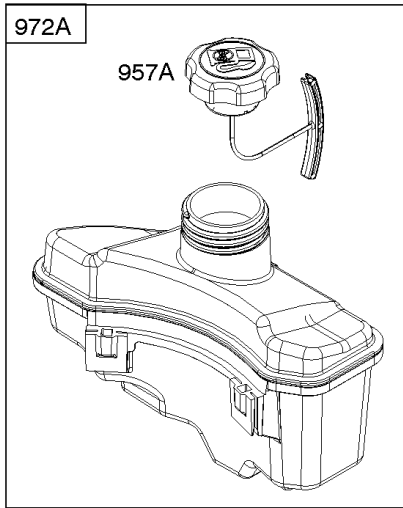
REF NO	PART NO	QTY	DESCRIPTION
1263	697124		REED, Breather
1264	793453		SCREW -(Breather Reed)
1319	794467		LABEL, Warning
1319A	797669		LABEL, Warning

Not For Reproduction



## Carburetor

REF NO	PART NO	QTY	DESCRIPTION
104	590558		PIN, Float Hinge
105	594581		VALVE, Float Needle
117	594060		JET, Main -(Standard)
118	594063		JET, Main -(High Altitude)
121	590589		KIT, Carburetor Overhaul -Used Before Code Date 15030900
121	594636		KIT, Carburetor Overhaul -Used After Code Date 15030800
122	590549		SPACER, Carburetor
125	594058		CARBURETOR
133	591120		FLOAT, Carburetor
137	593235		GASKET, Float Bowl -(Pack of 5) -Used Before Code Date 15030900
137	594633		GASKET, Float Bowl -(Pack of 5) -Used After Code Date 15030800
163	799580		GASKET, Air Cleaner -(Air Cleaner)
216	590547		LINK, Choke
217	590740		SPRING, Choke Return
493	593330		BRACKET, Mounting -(Carburetor)
617	270344S		SEAL, O-Ring -(Intake Manifold)
623	799581		SEAL, O-Ring -(Carburetor Spacer)
724	697478		RETAINER, Seal
951	591104		LEVER, Choke
975	591492		BOWL, Float -Used Before Code Date 15030900
975	594632		BOWL, Float -Used After Code Date 15030800
1127	590554		SCREW -(Float Bowl to Carburetor Body)
1238	590562		SCREW -(Carburetor Spacer)



## Exhaust System, Fuel Supply

REF NO	PART NO	QTY	DESCRIPTION
187	791766		LINE, Fuel -(Cut To Required Length)
300D	594108		MUFFLER
300E	595012		MUFFLER
300F	596511		MUFFLER
601	791850		CLAMP, Hose
613	590562		SCREW -(Muffler)
676A	594563		DEFLECTOR, Muffler
832A	594109		GUARD, Muffler
836	690661		SCREW -(Muffler Guard)
957	594061		CAP, Fuel Tank -Used Before Code Date 20010100
957	84004416		CAP, Fuel Tank
972B	594112		TANK, Fuel -Used Before Code Date 20010100
972B	84004115		TANK, FUEL -Used After Code Date 19123100
994	594562		ARRESTOR, Spark

## Replacement Engine - US & Canada

REF NO	PART NO	QTY	DESCRIPTION
	104M020021	1	Replacement Engine
	-----		Top No-Load Speed: 3200 -Trim: ALL

Not For Reproduction

