

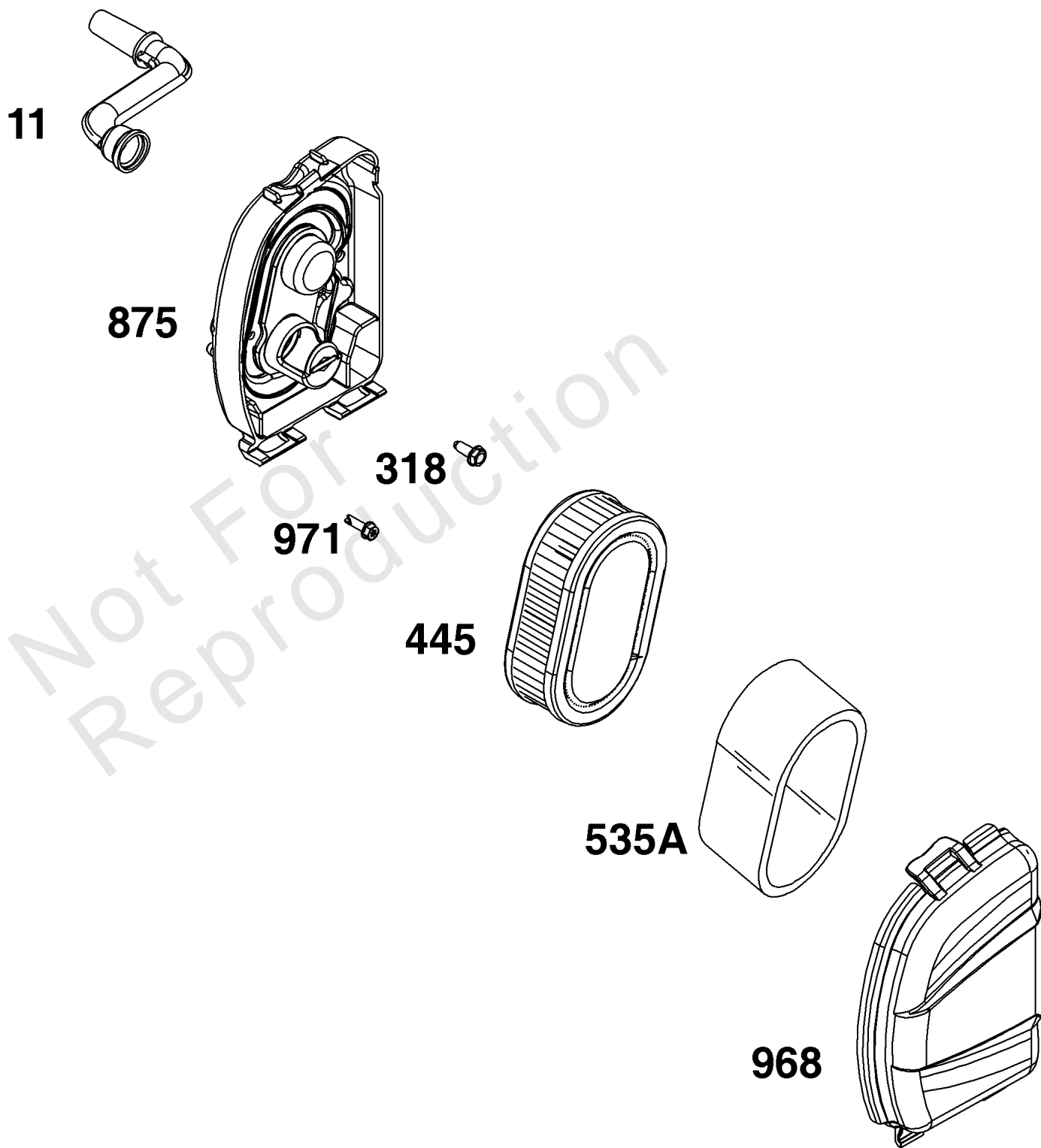


Parts Manual

Mfg. No: 104M02-0196-F1

Model Components	Page
Air Cleaner Group.....	4
Blower Housing Group.....	6
Carburetor Group.....	8
Controls Group.....	10
Crankcase Cover/Sump and Lubrication Group.....	12
Crankshaft Group.....	14
Cylinder Group.....	16
Cylinder Head Group.....	18
Exhaust Group.....	20
Flywheel, Ignition, and Starter Group.....	22
Fuel Supply Group.....	24
Replacement Engine - US & Canada.....	26

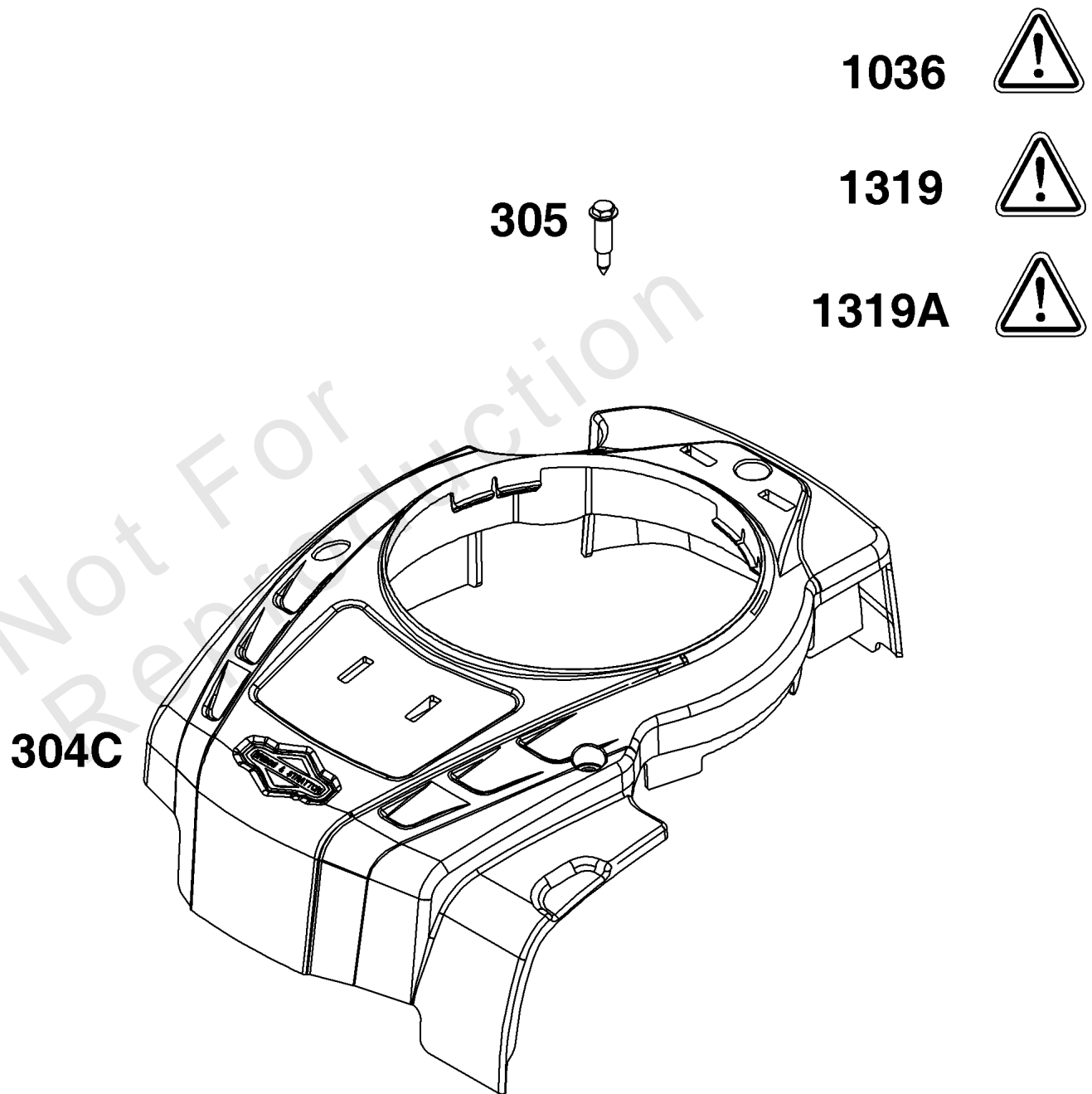
Not For
Reproduction



Air Cleaner Group

REF NO	PART NO	QTY	DESCRIPTION
11	596501	1	TUBE, Breather
318	793480	2	SCREW -(Mounting Bracket)
445	593260	1	FILTER, A/C Cartridge
535A	595191	1	FILTER, Air Cleaner Foam
875	594107	1	BASE, Air Cleaner
968	594106	1	COVER, Air Cleaner
971	590552	2	SCREW -(Air Cleaner Base to Carburetor/Throttle Body)

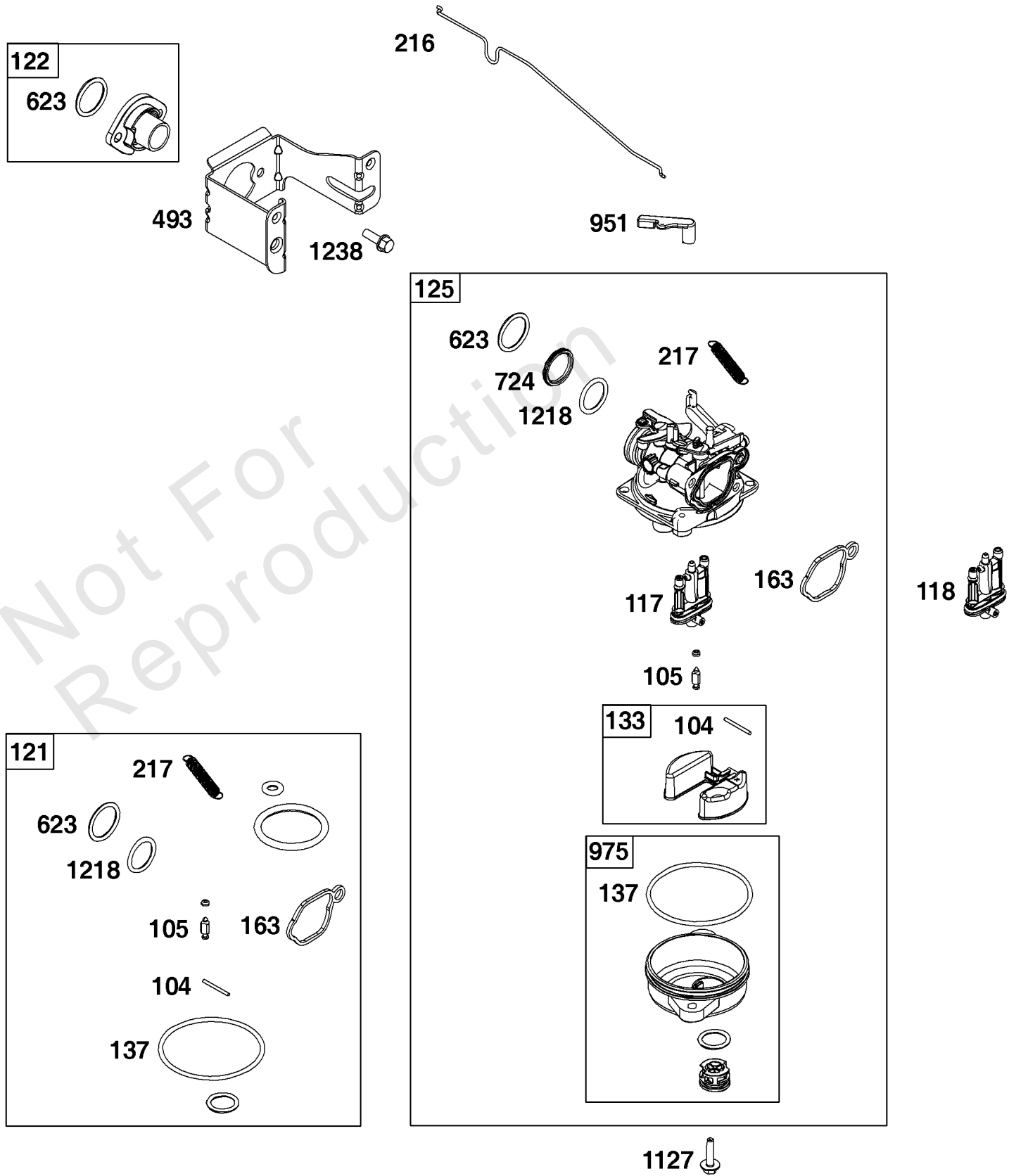
Not For Reproduction



Blower Housing Group

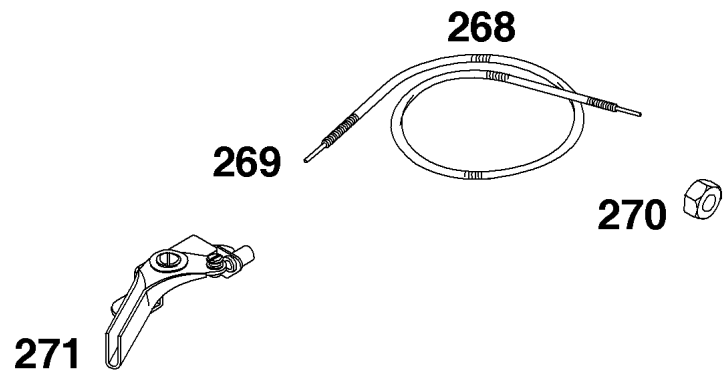
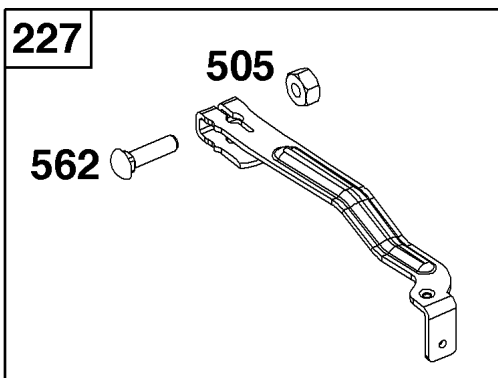
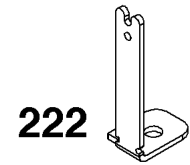
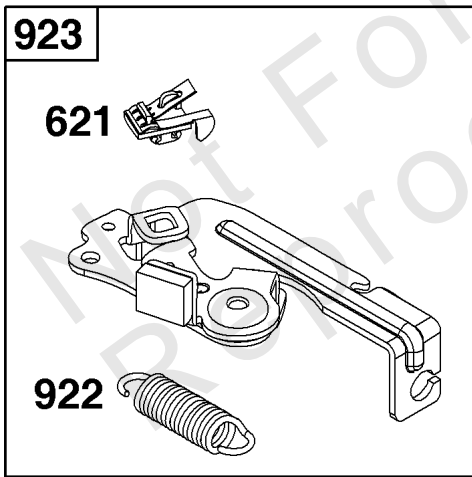
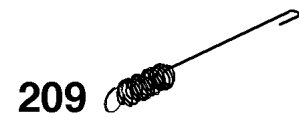
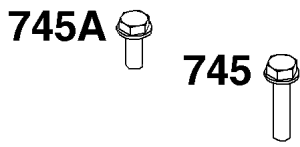
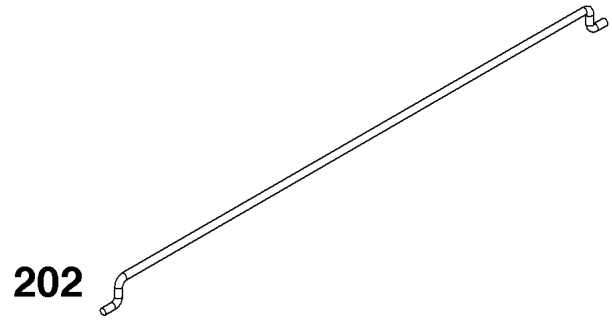
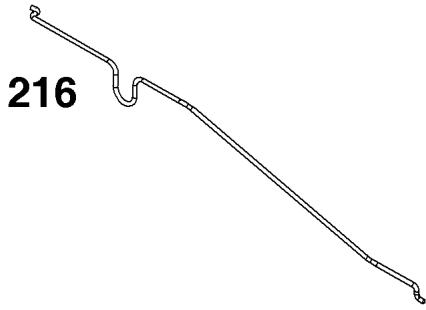
REF NO	PART NO	QTY	DESCRIPTION
304C	596467	1	HOUSING, Blower
305	590586	3	SCREW -(Blower Housing)
1036	-----	1	LABEL, Emissions -(Available from a Briggs & Stratton Authorized Dealer)
1319	794467	1	LABEL, Warning -(REQUIRED When Replacing Parts With Warning Labels Affixed)
1319A	797669	1	LABEL, Warning -(REQUIRED When Replacing Parts With Warning Labels Affixed)

Not For Reproduction



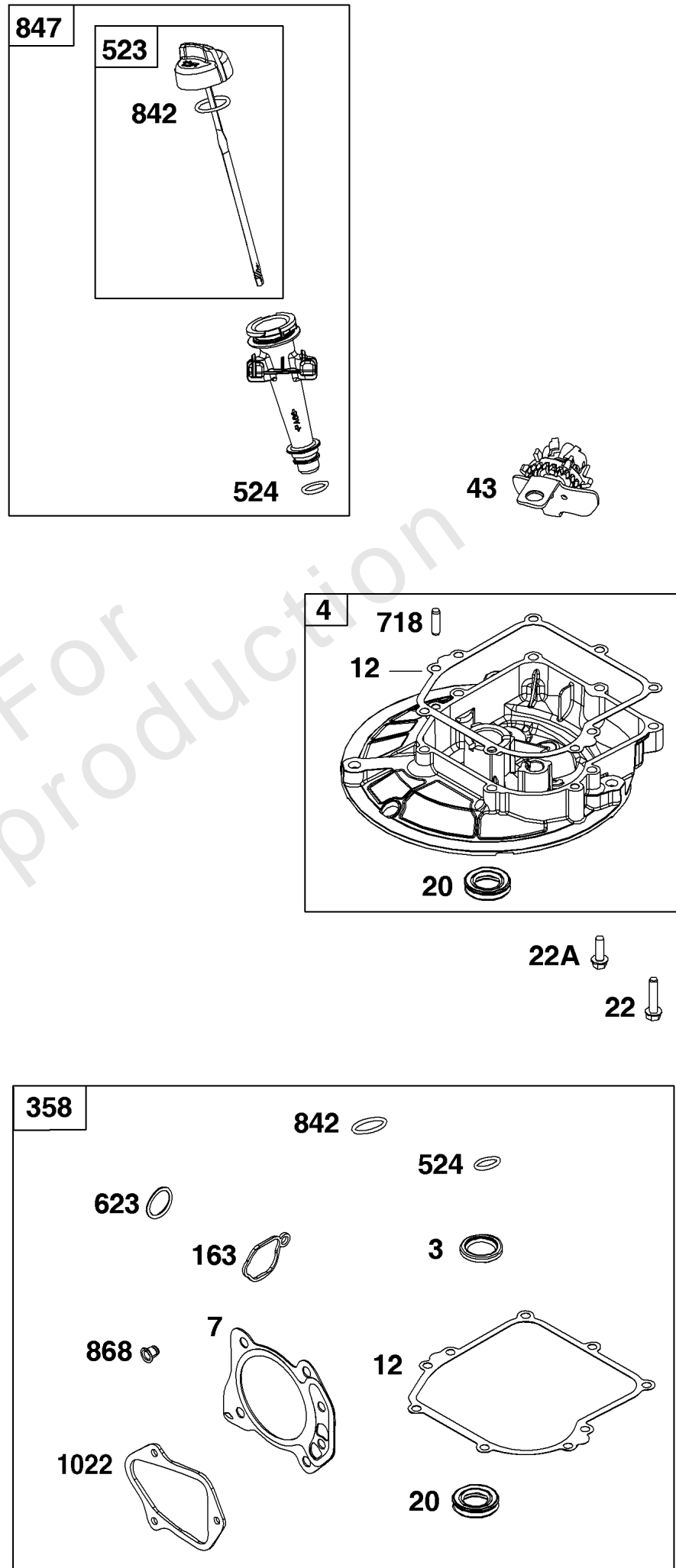
Carburetor Group

REF NO	PART NO	QTY	DESCRIPTION
104	590558	1	PIN, Float Hinge
105	698537	1	VALVE, Float Needle -Used Before Code Date 18050300
105	594581	1	VALVE, Float Needle -Used After Code Date 18050200
117	594060	1	JET, Main -(Standard)
118	594063	1	JET, Main -(High Altitude)
121	595174		KIT, Carburetor Overhaul -(Service Kits may include extra parts not specific to this engine.) -Used Before Code Date 18050300
121	594636	1	KIT, Carburetor Overhaul -(Service Kits may include extra parts not specific to this engine.) -Used After Code Date 18050200
122	590549	1	SPACER, Carburetor
125	595192	1	CARBURETOR -Used Before Code Date 18050300
125	594058		CARBURETOR -Used After Code Date 18050200
133	591120	1	FLOAT, Carburetor
137	594633	1	GASKET, Float Bowl
163	799580	1	GASKET, Air Cleaner -(Air Cleaner)
216	----	1	LINK, Choke -(Part information located in Controls Group.)
217	590740	1	SPRING, Choke Return
493	593330	1	BRACKET, Mounting
623	799581	1	SEAL, O-Ring -(Carburetor Spacer)
724	697478	1	RETAINER, Seal
951	591104	1	LEVER, Choke
975	594632	1	BOWL, Float
1127	590554	2	SCREW -(Float Bowl to Carburetor Body)
1218	270344S	1	SEAL, O-Ring -(Carburetor)
1238	590562	2	SCREW -(Carburetor Spacer)



Controls Group

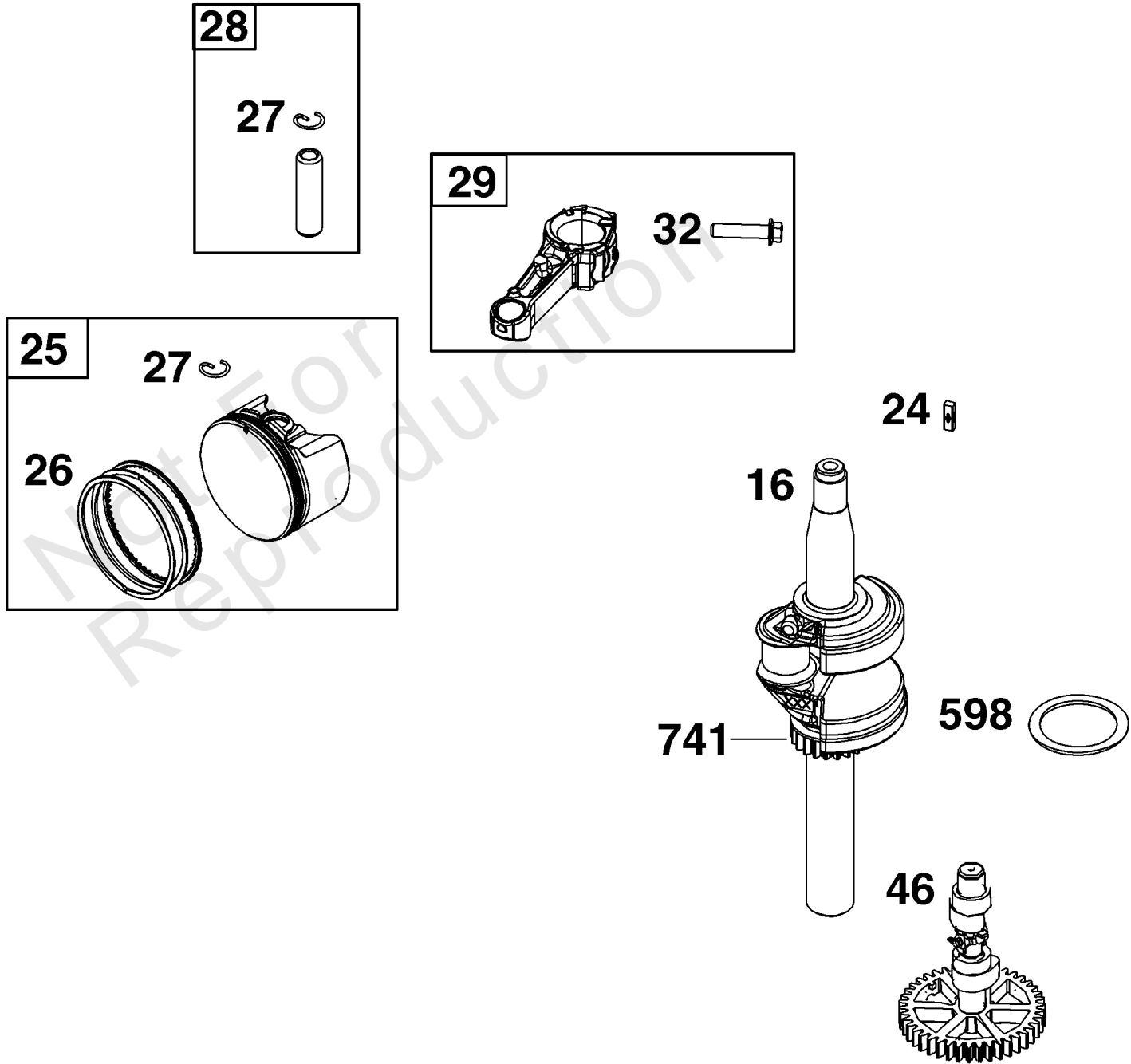
REF NO	PART NO	QTY	DESCRIPTION
188	793480	1	SCREW -(Control Bracket)
202	590517	1	LINK, Mechanical Governor
209	596459	1	SPRING, Governor
216	590547	1	LINK, Choke
222	596754	1	BRACKET, Control
227	590520	1	LEVER, Governor Control
268	691025	1	CASING, Control Wire
269	691026	1	WIRE, Control
270	691027	1	NUT -(Control Wire Casing)
271	691028	1	LEVER, Control
505	793515	1	NUT -(Governor Control Lever)
562	793514	1	BOLT -(Governor Lever)
621	692310	1	SWITCH, Stop
745	691146	1	SCREW -(Brake)
745A	690859	1	SCREW -(Brake)
922	692135	1	SPRING, Brake
923	691487	1	BRAKE



Not For Reproduction

Crankcase Cover/Sump and Lubrication Group

REF NO	PART NO	QTY	DESCRIPTION
3	-----	1	SEAL, Oil -(Part information located in Cylinder Group.)
4	594101	1	SUMP, Engine
7	-----	1	GASKET, Cylinder Head -(Part information located in Cylinder Head Group.)
12	799587	1	GASKET, Crankcase
20	399781S	1	SEAL, Oil -(PTO Side)
22	692551	6	SCREW -(Crankcase Cover/Sump)
22A	590763	1	SCREW -(Crankcase Cover/Sump)
43	594560	1	SLINGER, Governor/Oil
163	-----	1	GASKET, Air Cleaner -(Part information located in Carburetor Group.)
358	595354	1	GASKET SET, Engine -(Service Kits may include extra parts not specific to this engine.)
523	796503	1	DIPSTICK
524	691876	1	SEAL, O-Ring -(Dipstick Tube)
623	-----	1	SEAL, O-Ring -(Part information located in Carburetor Group.)
718	690959	2	PIN, Locating
842	691031	1	SEAL, O-Ring -(Dipstick Cap)
847	596092	1	DIPSTICK/TUBE ASSEMBLY
868	-----	1	SEAL, Valve -(Part information located in Cylinder Head Group.)
1022	-----	1	GASKET, Rocker Cover -(Part information located in Cylinder Head Group.)



Crankshaft Group

REF NO	PART NO	QTY	DESCRIPTION
16	594104	1	CRANKSHAFT
24	222698S	1	KEY, Flywheel
25	594099	1	PISTON ASSEMBLY
26	594098	1	SET, Ring
27	691588	1	LOCK, Piston Pin
28	298909	1	PIN, Piston
29	594089	1	ROD, Connecting
32	691664	2	SCREW -(Connecting Rod)
46	594090	1	CAMSHAFT
598	592587	1	SHIM, End Play -(Crankshaft or Camshaft Bearing)
741	594105	1	GEAR, Timing


Not For Reproduction

615 

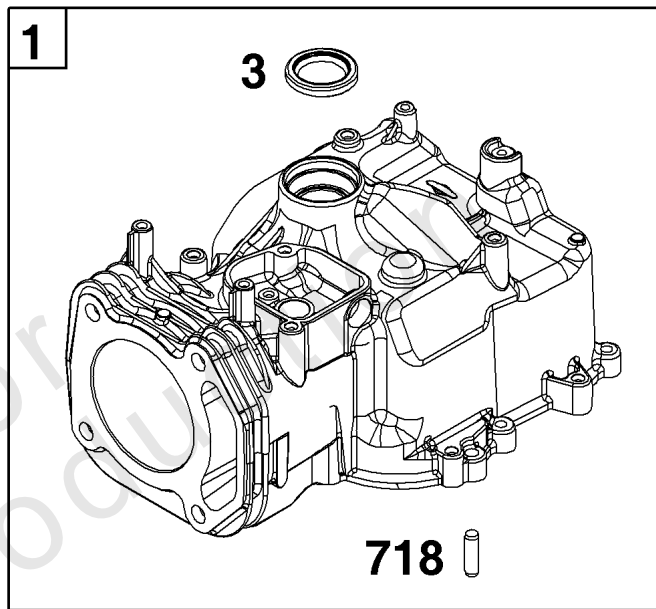
404 

1264 

1263 

616 

850



358

842 

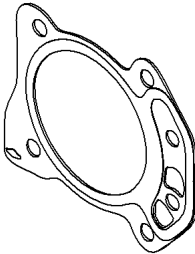
524 

623 

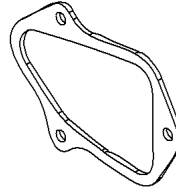
163 

3 

868 

7 

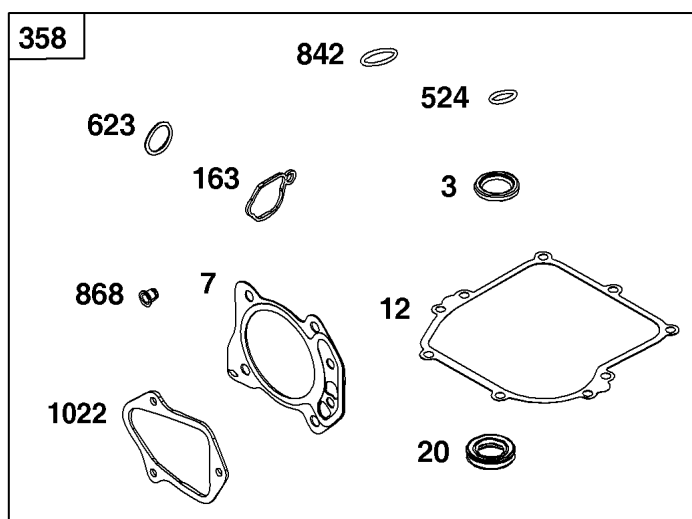
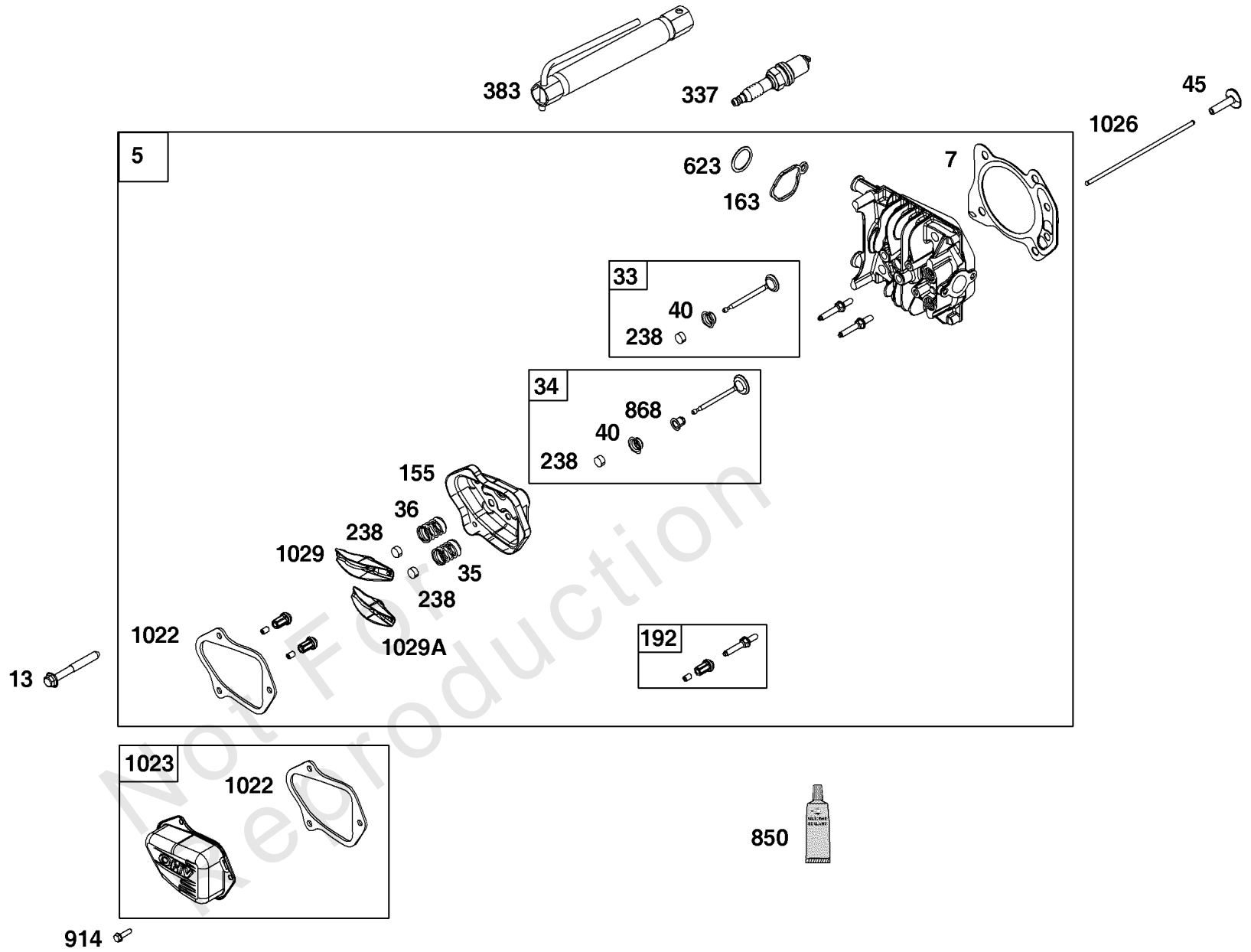
12 

1022 

20 

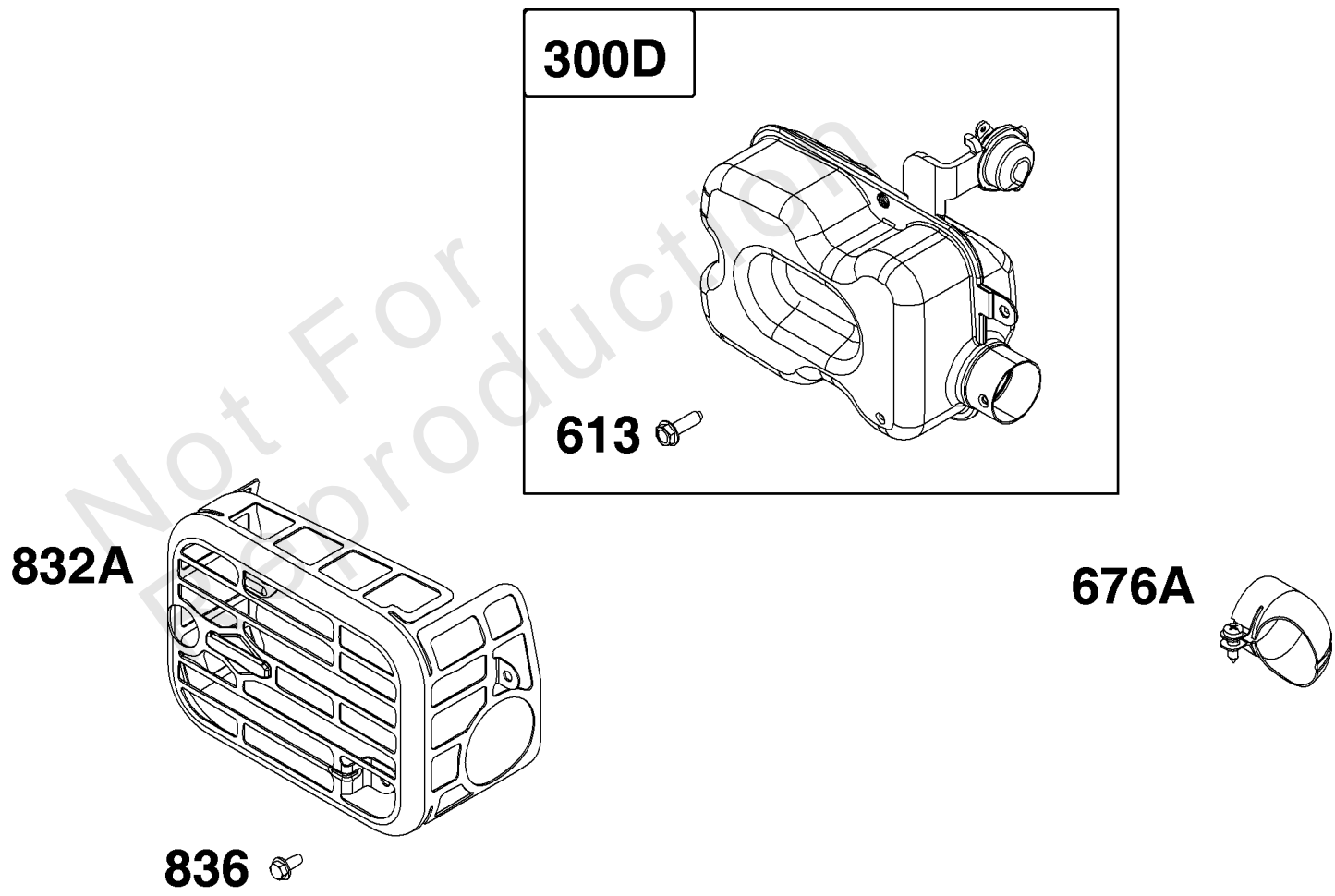
Cylinder Group

REF NO	PART NO	QTY	DESCRIPTION
1	594100	1	CYLINDER ASSEMBLY
3	299819S	1	SEAL, Oil -(Magneto Side)
7	-----	1	GASKET, Cylinder Head -(Part information located in Cylinder Head Group.)
12	-----	1	GASKET, Crankcase -(Part information located in Crankcase Cover/Sump and Lubrication Group.)
20	-----	1	SEAL, Oil -(Part information located in Crankcase Cover/Sump and Lubrication Group.)
163	-----	1	GASKET, Air Cleaner -(Part information located in Carburetor Group.)
358	-----	1	GASKET SET, Engine -(Part information located in Crankcase Cover/Sump and Lubrication Group.)
404	690272	1	WASHER -(Governor Crank)
524	-----	1	SEAL, O-Ring -(Part information located in Crankcase Cover/Sump and Lubrication Group.)
615	690340	1	RETAINER, Governor Shaft
616	590516	1	CRANK, Governor
623	-----	1	SEAL, O-Ring -(Part information located in Carburetor Group.)
718	-----	2	PIN, Locating -(Part information located in Crankcase Cover/Sump and Lubrication Group.)
842	-----	1	SEAL, O-Ring -(Part information located in Crankcase Cover/Sump and Lubrication Group.)
850	-----	1	SEALANT, Liquid -(Part information located in Cylinder Head Group.)
868	-----	1	SEAL, Valve -(Part information located in Cylinder Head Group.)
1022	-----	1	GASKET, Rocker Cover -(Part information located in Cylinder Head Group.)
1263	697124	1	REED, Breather
1264	793453	1	SCREW -(Breather Reed)



Cylinder Head Group

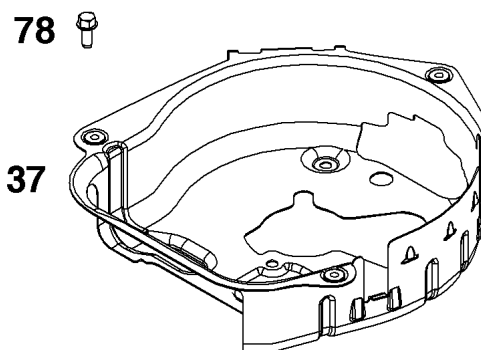
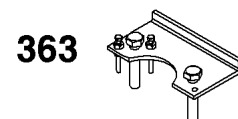
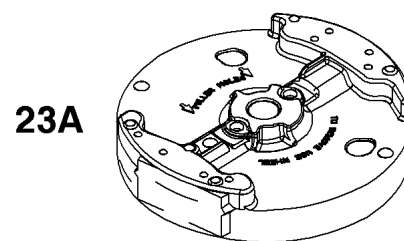
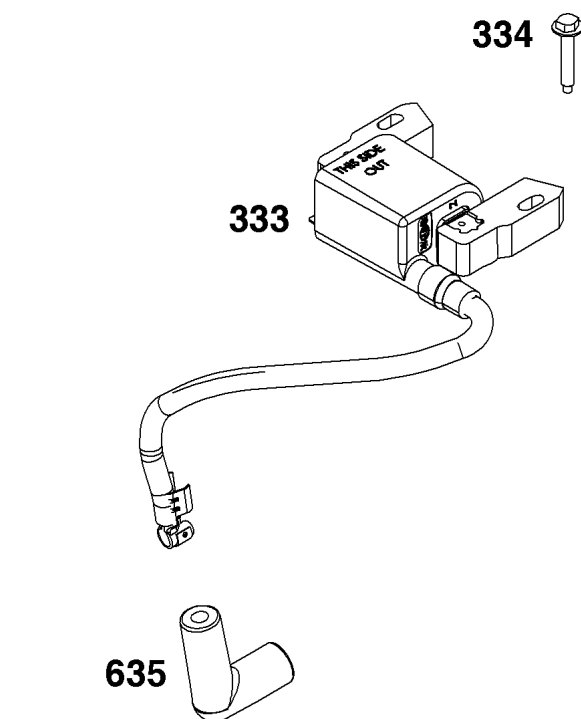
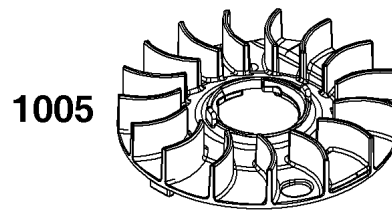
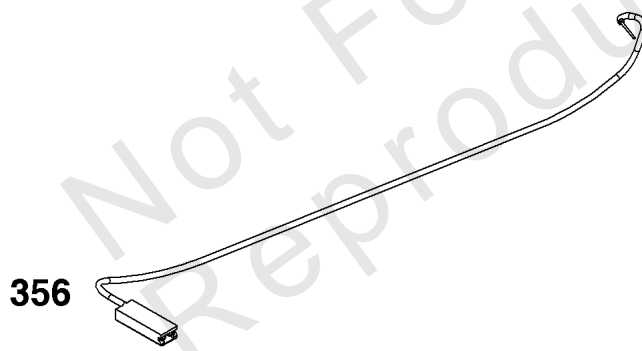
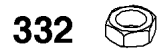
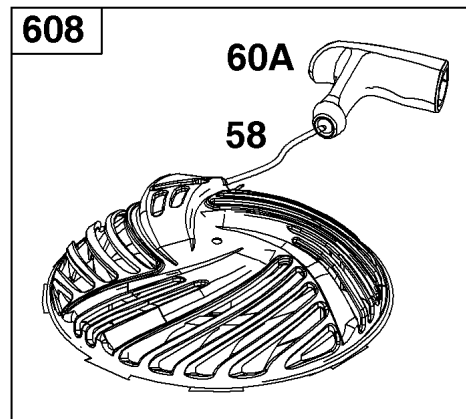
REF NO	PART NO	QTY	DESCRIPTION
3	-----	1	SEAL, Oil -(Part information located in Cylinder Group.)
5	595353	1	HEAD, Cylinder
7	592358	1	GASKET, Cylinder Head
12	-----	1	GASKET, Crankcase -(Part information located in Crankcase Cover/Sump and Lubrication Group.)
13	590512	4	SCREW -(Cylinder Head)
20	-----	1	SEAL, Oil -(Part information located in Crankcase Cover/Sump and Lubrication Group.)
33	594095	1	VALVE, Exhaust
34	594094	1	VALVE, Intake
35	590532	1	SPRING, Valve -(Intake)
36	590532	1	SPRING, Valve -(Exhaust)
40	594092	2	RETAINER, Valve
45	590514	2	TAPPET, Valve
155	594093	1	PLATE, Cylinder Head
163	-----	1	GASKET, Air Cleaner -(Part information located in Carburetor Group.)
192	590535	2	ADJUSTER, Rocker Arm
238	594097	2	CAP, Valve
337	491055S	1	PLUG, Spark
358	-----	1	GASKET SET, Engine -(Part information located in Crankcase Cover/Sump and Lubrication Group.)
383	19576S	1	WRENCH, Spark Plug
524	-----	1	SEAL, O-Ring -(Part information located in Crankcase Cover/Sump and Lubrication Group.)
623	-----	1	SEAL, O-Ring -(Part information located in Carburetor Group.)
842	-----	1	SEAL, O-Ring -(Part information located in Crankcase Cover/Sump and Lubrication Group.)
850	100106	1	SEALANT, Liquid
868	594096	1	SEAL, Valve
914	591103	3	SCREW -(Rocker Cover)
1022	595342	1	GASKET, Rocker Cover
1023	595352	1	COVER, Rocker
1026	590515	2	ROD, Push
1029	590526	1	ARM, Rocker
1029A	590527	1	ARM, Rocker



Exhaust Group

REF NO	PART NO	QTY	DESCRIPTION
300D	594108	1	MUFFLER
613	590562	2	SCREW -(Muffler)
676A	594563	1	DEFLECTOR, Muffler
832A	594109	1	GUARD, Muffler
836	690661	3	SCREW -(Muffler Guard)

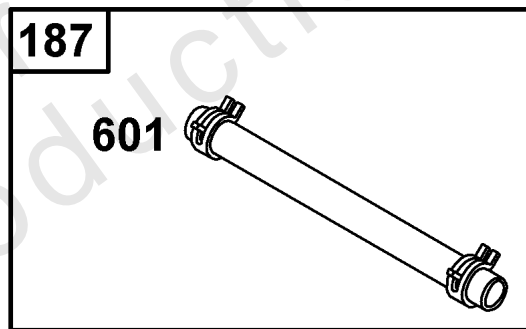
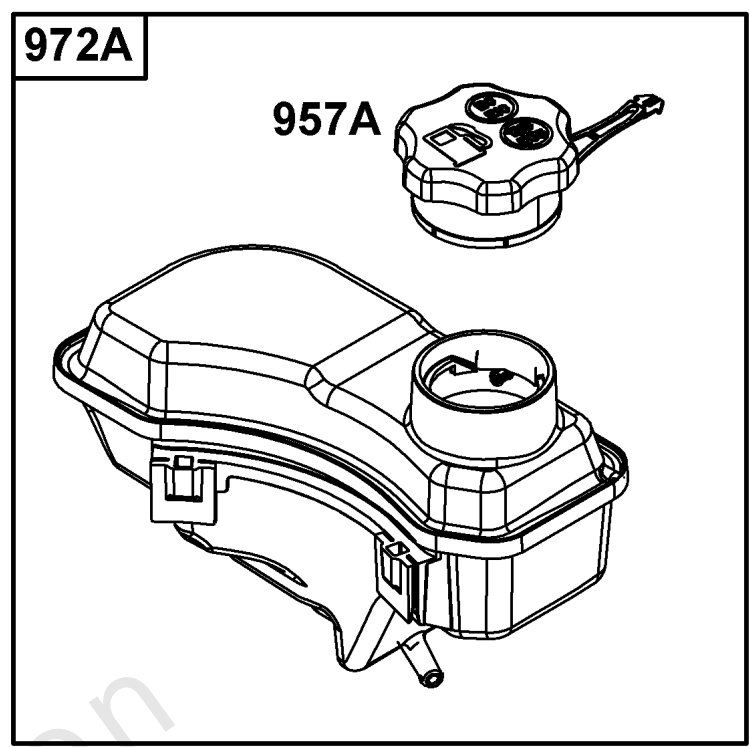
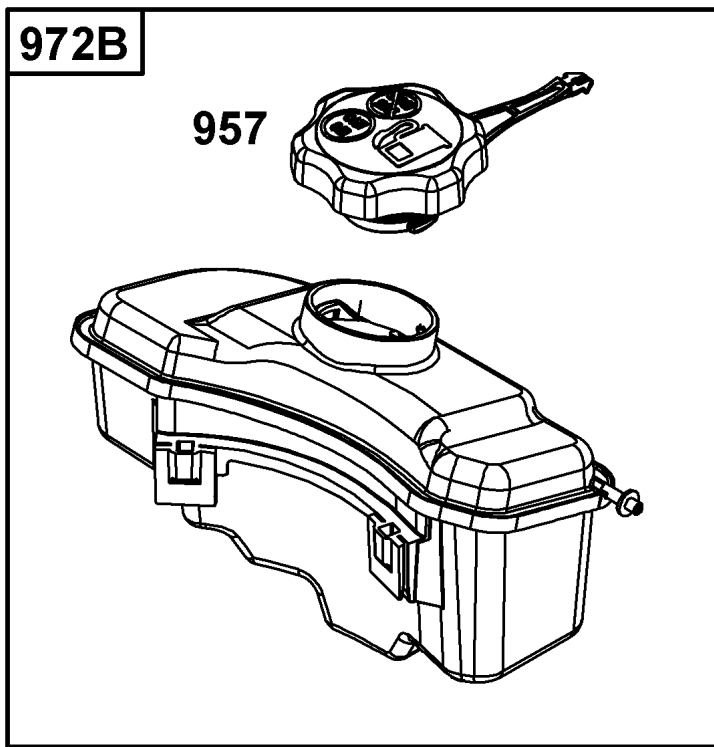
Not For Reproduction



Flywheel, Ignition, and Starter Group

REF NO	PART NO	QTY	DESCRIPTION
23A	594054	1	FLYWHEEL
37	594103	1	GUARD, Flywheel
58	591108	1	ROPE, Starter
60A	281434S	1	GRIP, Starter Rope
78	793480	5	SCREW -(Flywheel Guard)
332	690662	1	NUT -(Flywheel)
333	595009	1	ARMATURE, Magneto
334	691061	2	SCREW -(Magneto Armature)
356	595018	1	WIRE, Stop
363	19619	1	PULLER, Flywheel
455A	596466	1	CUP, Flywheel
608	596468	1	STARTER, Rewind
635	692076	1	BOOT, Spark Plug
668	590546	1	SPACER
1005	594102	1	FAN, Flywheel

Not For Reproduction



Not For Reproduction

Fuel Supply Group

REF NO	PART NO	QTY	DESCRIPTION
187	791766	1	LINE, Fuel
601	791850	2	CLAMP, Hose
957	594061	1	CAP, Fuel Tank -Used Before Code Date 20010100
957A	84004416	1	CAP, Fuel Tank
972B	594112	1	TANK, Fuel -Used Before Code Date 20010100
972A	84004115	1	TANK, FUEL -Used After Code Date 19123100

Not For Reproduction

Replacement Engine - US & Canada

REF NO	PART NO	QTY	DESCRIPTION
	-----		Top No-Load Speed: 3200

Not For Reproduction

