



# Parts Manual

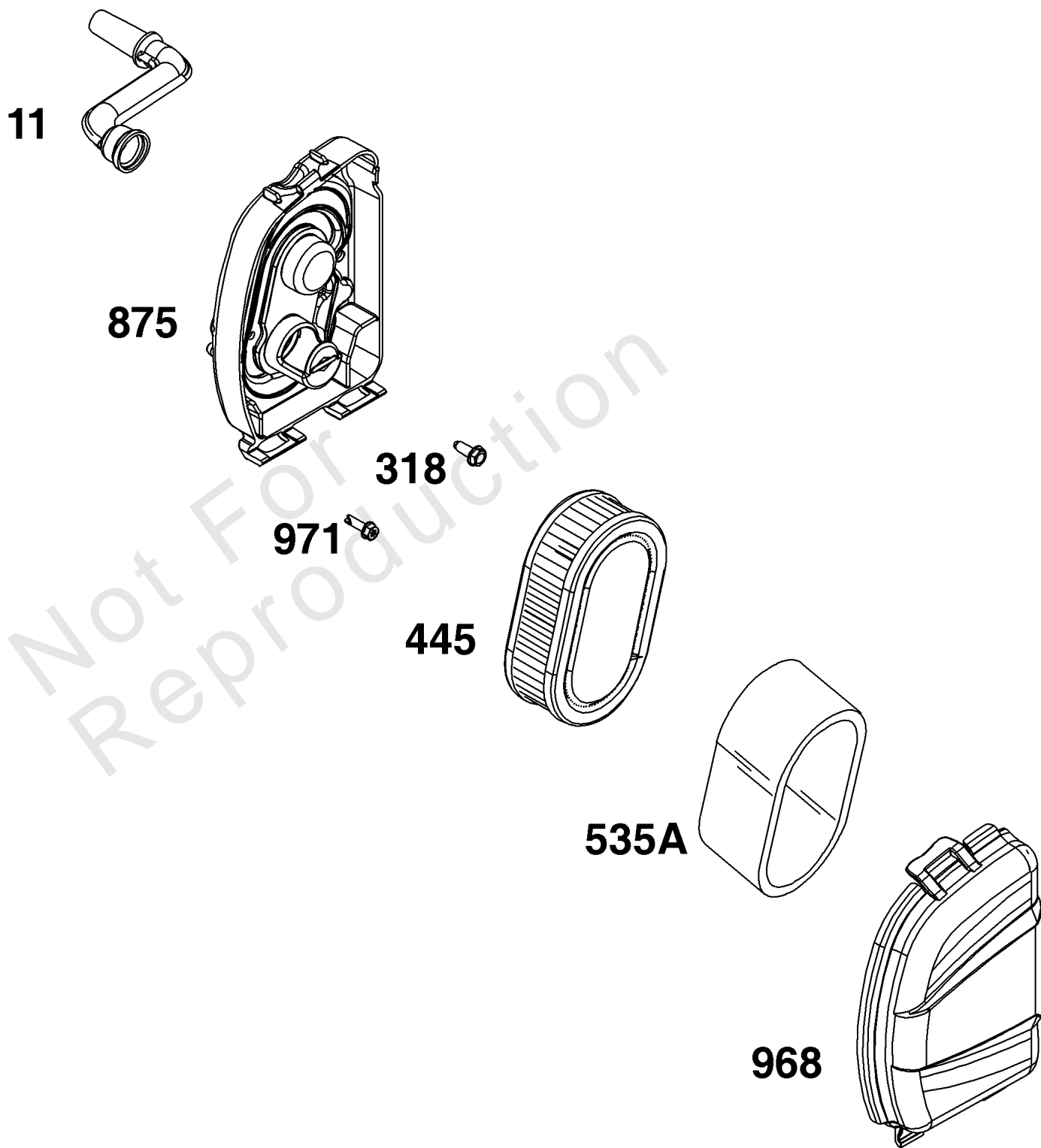
Mfg. No: 104M02-0198-F1



---

<b>Model Components</b>	<b>Page</b>
Air Cleaner Group.....	4
Blower Housing Group.....	6
Carburetor Group.....	8
Controls Group.....	10
Crankcase Cover/Sump and Lubrication Group.....	12
Crankshaft Group.....	14
Cylinder Group.....	16
Cylinder Head Group.....	18
Exhaust Group.....	20
Flywheel, Ignition, and Starter Group.....	22
Fuel Supply Group.....	24

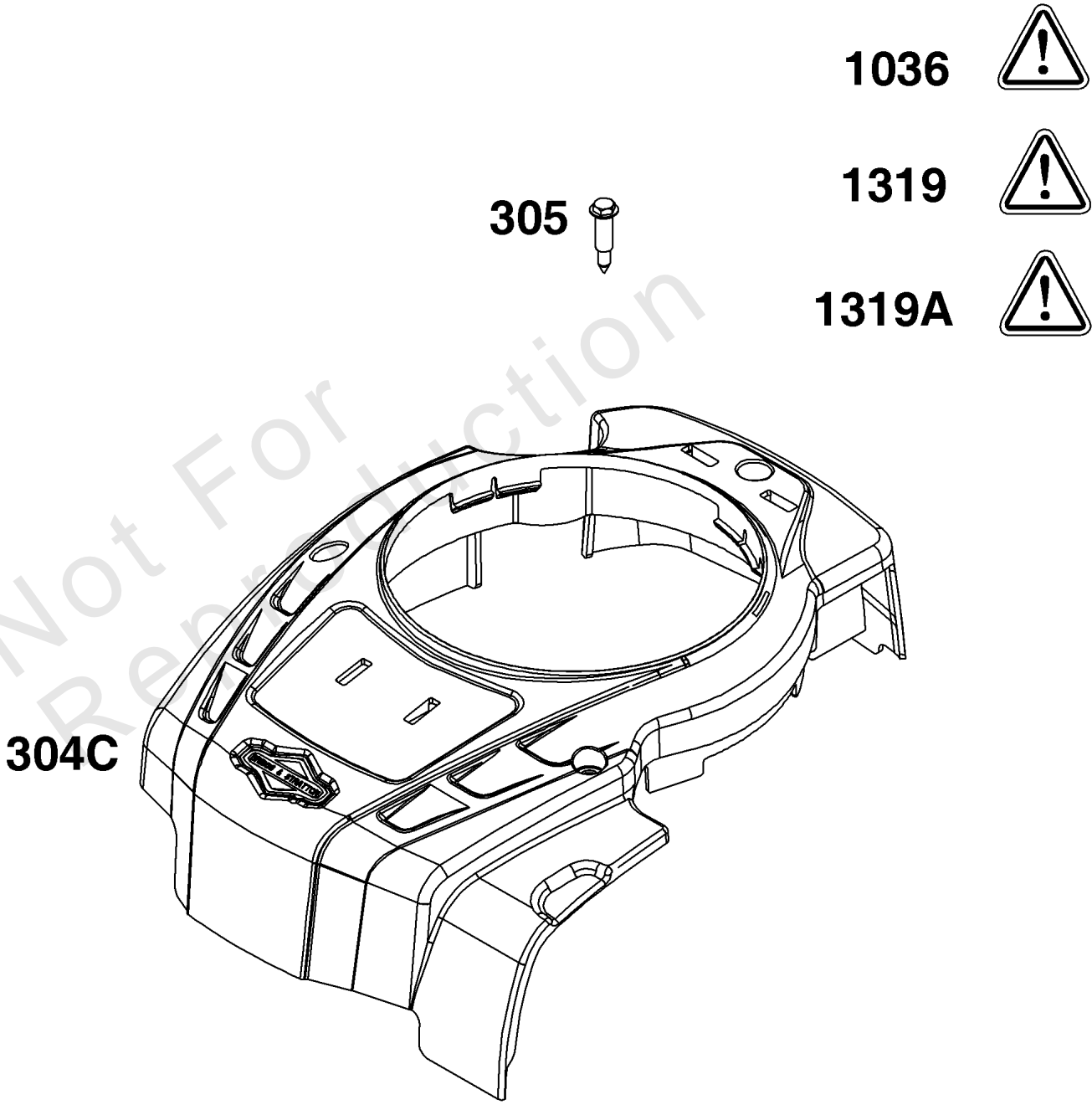
Not For  
Reproduction



## *Air Cleaner Group*

REF NO	PART NO	QTY	DESCRIPTION
11	596501	1	TUBE, Breather
318	793480	2	SCREW -(Mounting Bracket)
445	593260	1	FILTER, A/C Cartridge
535A	595191	1	FILTER, Air Cleaner Foam
875	594107	1	BASE, Air Cleaner
968	594106	1	COVER, Air Cleaner
971	590552	2	SCREW -(Air Cleaner Base to Carburetor/Throttle Body)

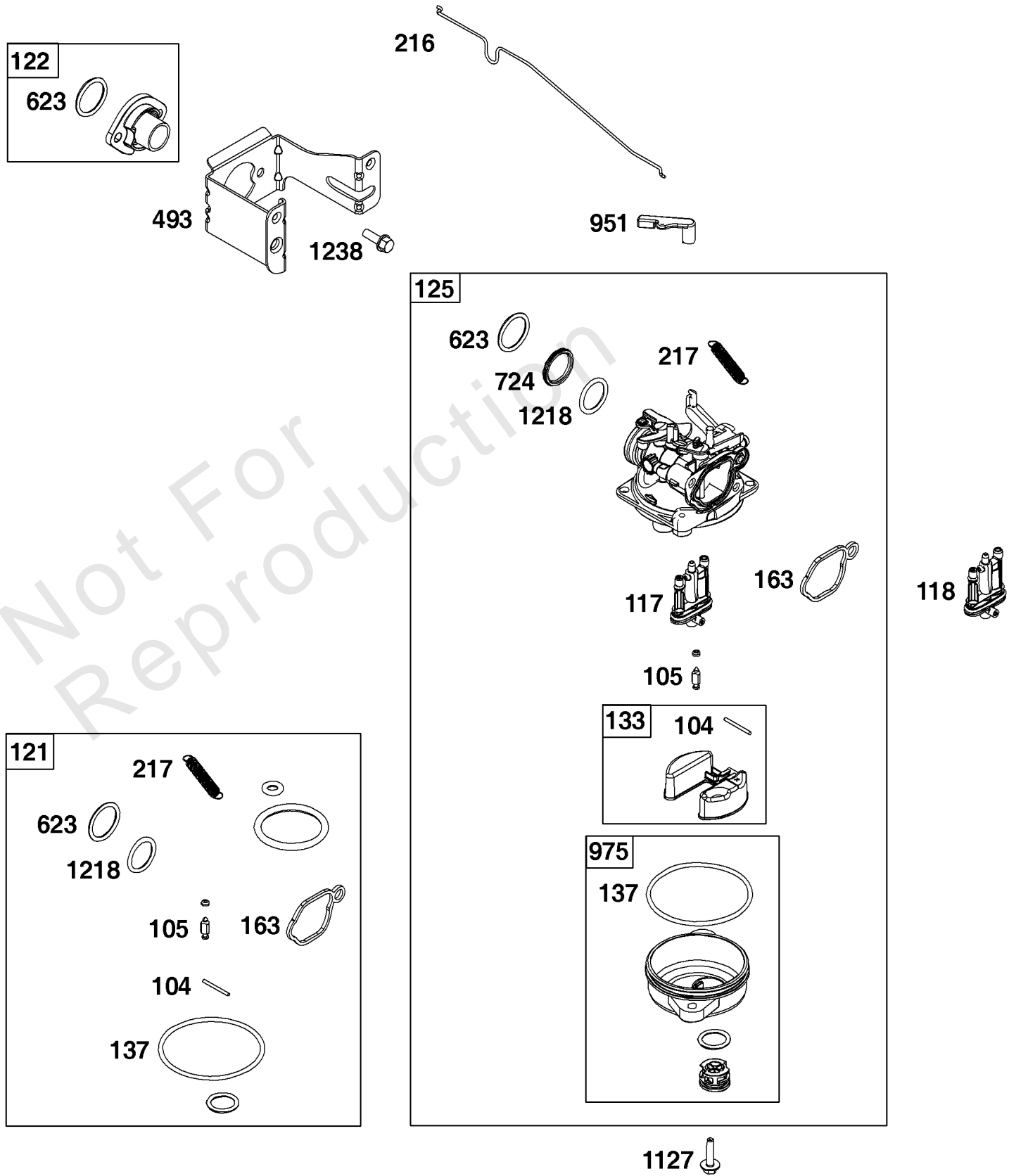
Not For Reproduction



## ***Blower Housing Group***

<b>REF NO</b>	<b>PART NO</b>	<b>QTY</b>	<b>DESCRIPTION</b>
304C	596467	1	HOUSING, Blower
305	590586	3	SCREW -(Blower Housing)
1036	-----	1	LABEL, Emissions -(Available from a Briggs & Stratton Authorized Dealer)
1319	794467	1	LABEL, Warning -(REQUIRED When Replacing Parts With Warning Labels Affixed)
1319A	797669	1	LABEL, Warning -(REQUIRED When Replacing Parts With Warning Labels Affixed)

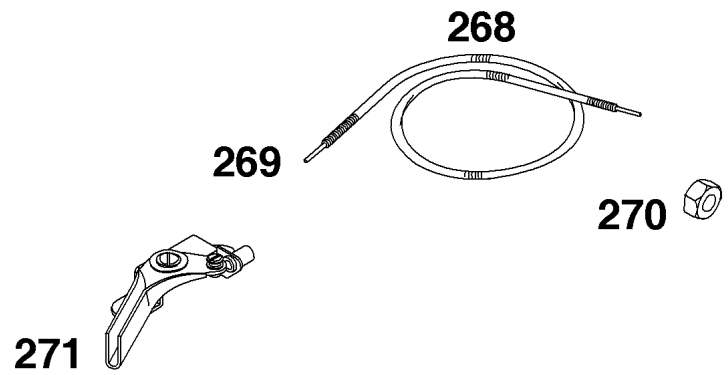
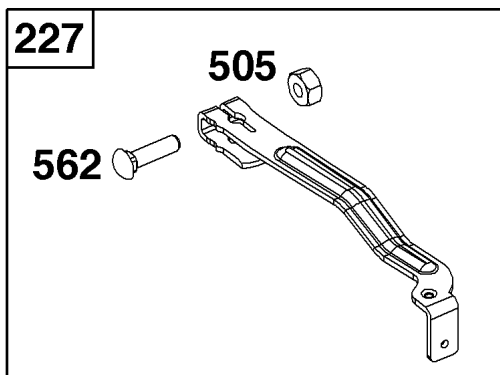
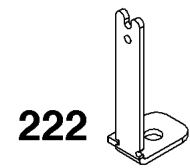
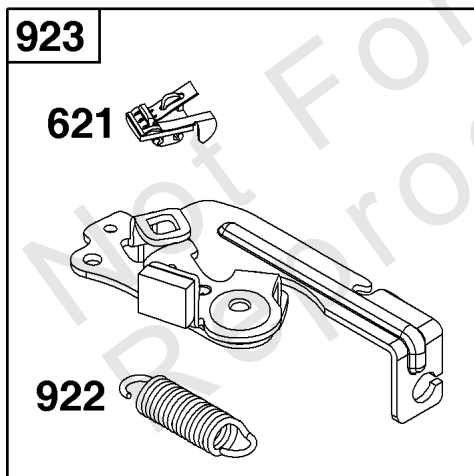
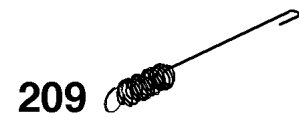
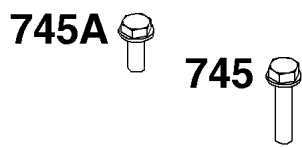
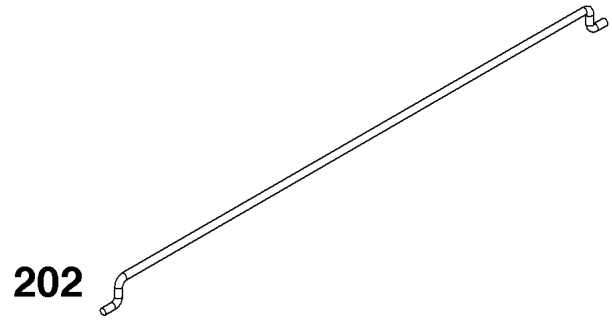
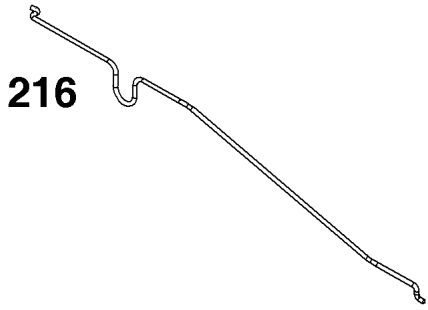
Not For Reproduction





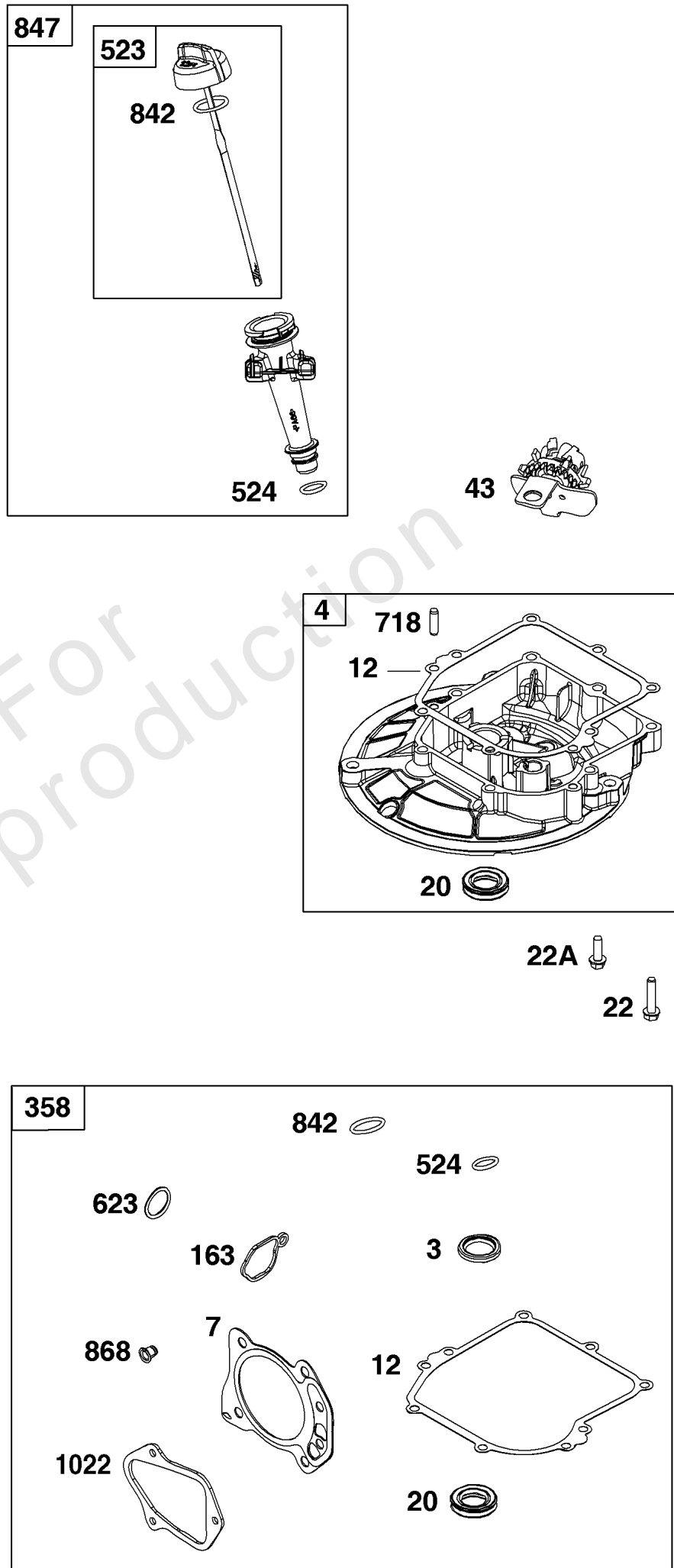
## Carburetor Group

REF NO	PART NO	QTY	DESCRIPTION
104	590558	1	PIN, Float Hinge
105	698537	1	VALVE, Float Needle -Used Before Code Date 18050300
105	594581	1	VALVE, Float Needle -Used After Code Date 18050200
117	594060	1	JET, Main -(Standard)
118	594063	1	JET, Main -(High Altitude)
121	595174		KIT, Carburetor Overhaul -(Service Kits may include extra parts not specific to this engine.) -Used Before Code Date 18050300
121	594636	1	KIT, Carburetor Overhaul -(Service Kits may include extra parts not specific to this engine.) -Used After Code Date 18050200
122	590549	1	SPACER, Carburetor
125	595192	1	CARBURETOR -Used Before Code Date 18050300
125	594058		CARBURETOR -Used After Code Date 18050200
133	591120	1	FLOAT, Carburetor
137	594633	1	GASKET, Float Bowl
163	799580	1	GASKET, Air Cleaner -(Air Cleaner)
216	----	1	LINK, Choke -(Part information located in Controls Group.)
217	590740	1	SPRING, Choke Return
493	593330	1	BRACKET, Mounting
623	799581	1	SEAL, O-Ring -(Carburetor Spacer)
724	697478	1	RETAINER, Seal
951	591104	1	LEVER, Choke
975	594632	1	BOWL, Float
1127	590554	2	SCREW -(Float Bowl to Carburetor Body)
1218	270344S	1	SEAL, O-Ring -(Carburetor)
1238	590562	2	SCREW -(Carburetor Spacer)



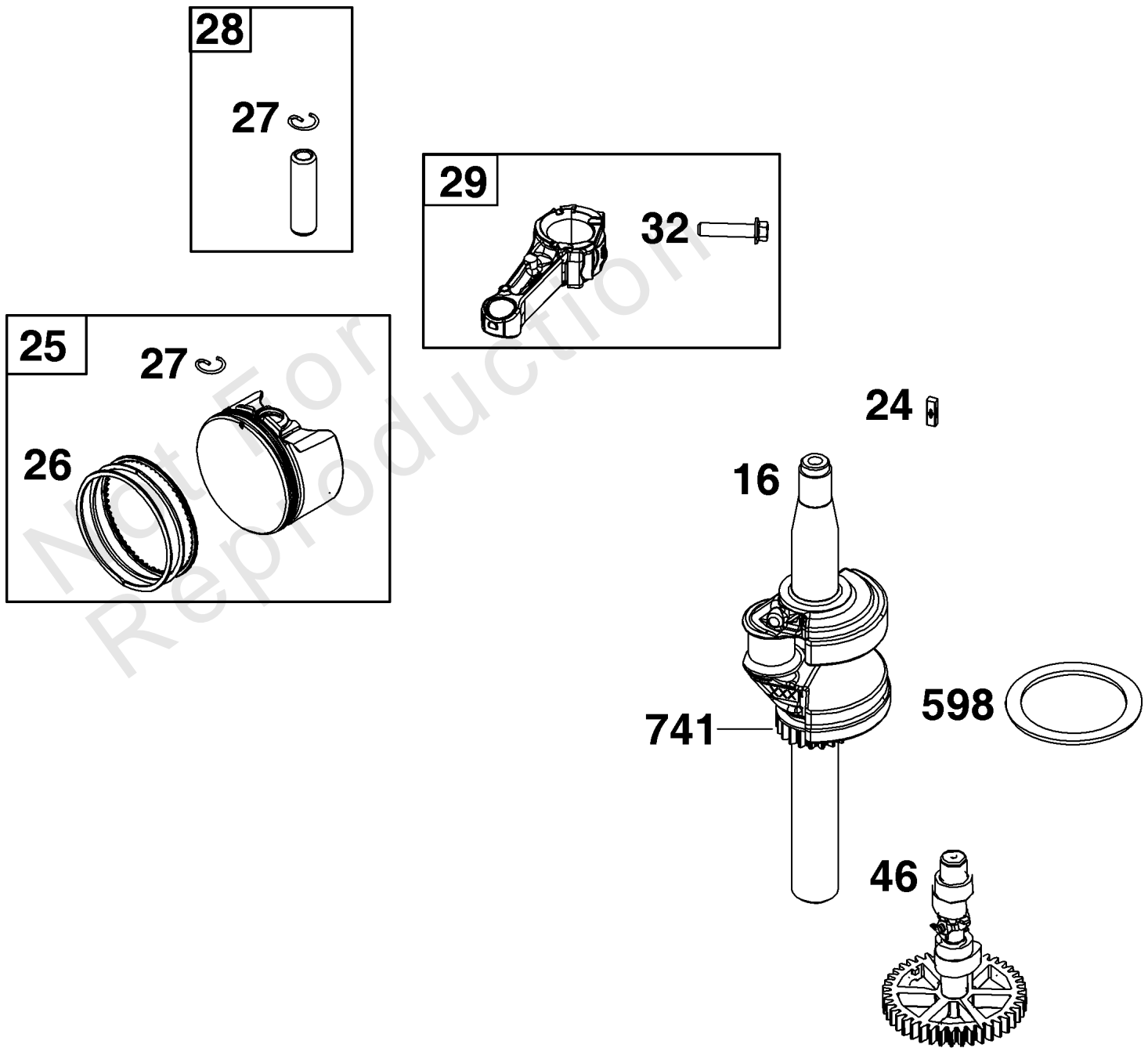
## Controls Group

REF NO	PART NO	QTY	DESCRIPTION
188	793480	1	SCREW -(Control Bracket)
202	590517	1	LINK, Mechanical Governor
209	596464	1	SPRING, Governor
216	590547	1	LINK, Choke
222	596754	1	BRACKET, Control
227	590520	1	LEVER, Governor Control
268	691025	1	CASING, Control Wire
269	691026	1	WIRE, Control
270	691027	1	NUT -(Control Wire Casing)
271	691028	1	LEVER, Control
505	793515	1	NUT -(Governor Control Lever)
562	793514	1	BOLT -(Governor Lever)
621	692310	1	SWITCH, Stop
745	691146	1	SCREW -(Brake)
745A	690859	1	SCREW -(Brake)
922	692135	1	SPRING, Brake
923	691487	1	BRAKE



## ***Crankcase Cover/Sump and Lubrication Group***

<b>REF NO</b>	<b>PART NO</b>	<b>QTY</b>	<b>DESCRIPTION</b>
3	-----	1	SEAL, Oil -(Part information located in Cylinder Group.)
4	594101	1	SUMP, Engine
7	-----	1	GASKET, Cylinder Head -(Part information located in Cylinder Head Group.)
12	799587	1	GASKET, Crankcase
20	399781S	1	SEAL, Oil -(PTO Side)
22	692551	6	SCREW -(Crankcase Cover/Sump)
22A	590763	1	SCREW -(Crankcase Cover/Sump)
43	594560	1	SLINGER, Governor/Oil
163	-----	1	GASKET, Air Cleaner -(Part information located in Carburetor Group.)
358	595354	1	GASKET SET, Engine -(Service Kits may include extra parts not specific to this engine.)
523	796503	1	DIPSTICK
524	691876	1	SEAL, O-Ring -(Dipstick Tube)
623	-----	1	SEAL, O-Ring -(Part information located in Carburetor Group.)
718	690959	2	PIN, Locating
842	691031	1	SEAL, O-Ring -(Dipstick Cap)
847	596092	1	DIPSTICK/TUBE ASSEMBLY
868	-----	1	SEAL, Valve -(Part information located in Cylinder Head Group.)
1022	-----	1	GASKET, Rocker Cover -(Part information located in Cylinder Head Group.)



## Crankshaft Group

REF NO	PART NO	QTY	DESCRIPTION
16	594507	1	CRANKSHAFT
24	222698S	1	KEY, Flywheel
25	594099	1	PISTON ASSEMBLY
26	594098	1	SET, Ring
27	691588	1	LOCK, Piston Pin
28	298909	1	PIN, Piston
29	594089	1	ROD, Connecting
32	691664	2	SCREW -(Connecting Rod)
46	594090	1	CAMSHAFT
598	592587	1	SHIM, End Play -(Crankshaft or Camshaft Bearing)
741	594105	1	GEAR, Timing


Not For Reproduction

615 

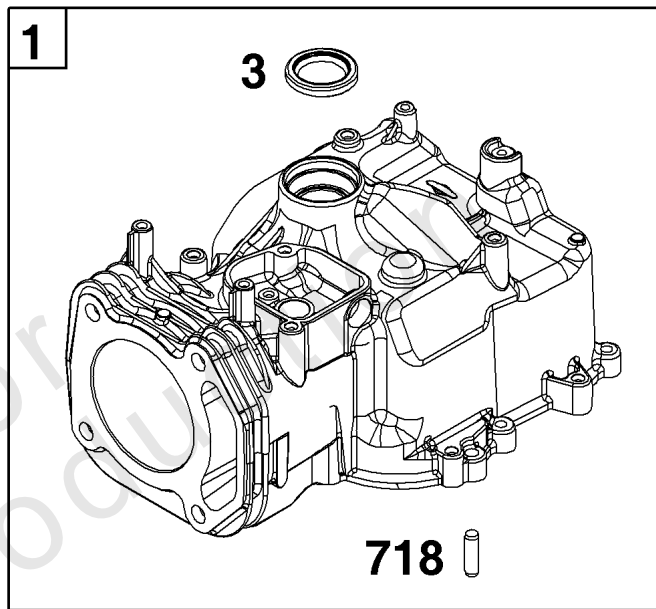
404 

1264 

1263 

616 

850



358

842 

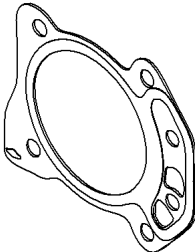
524 

623 

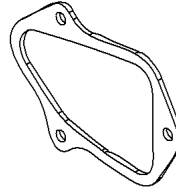
163 

3 

868 

7 

12 

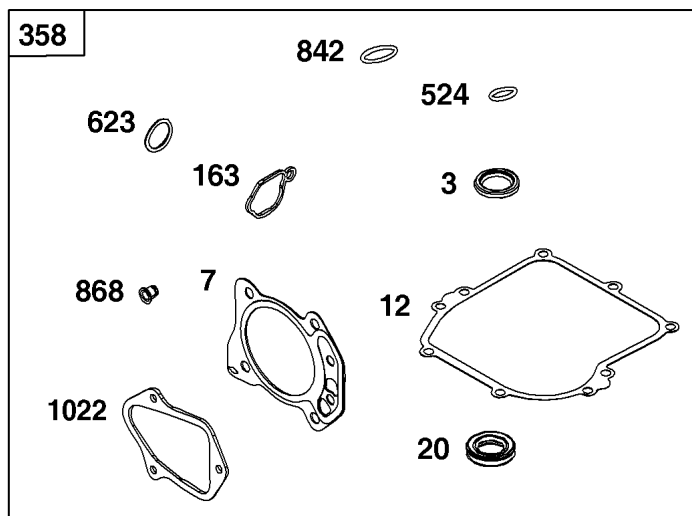
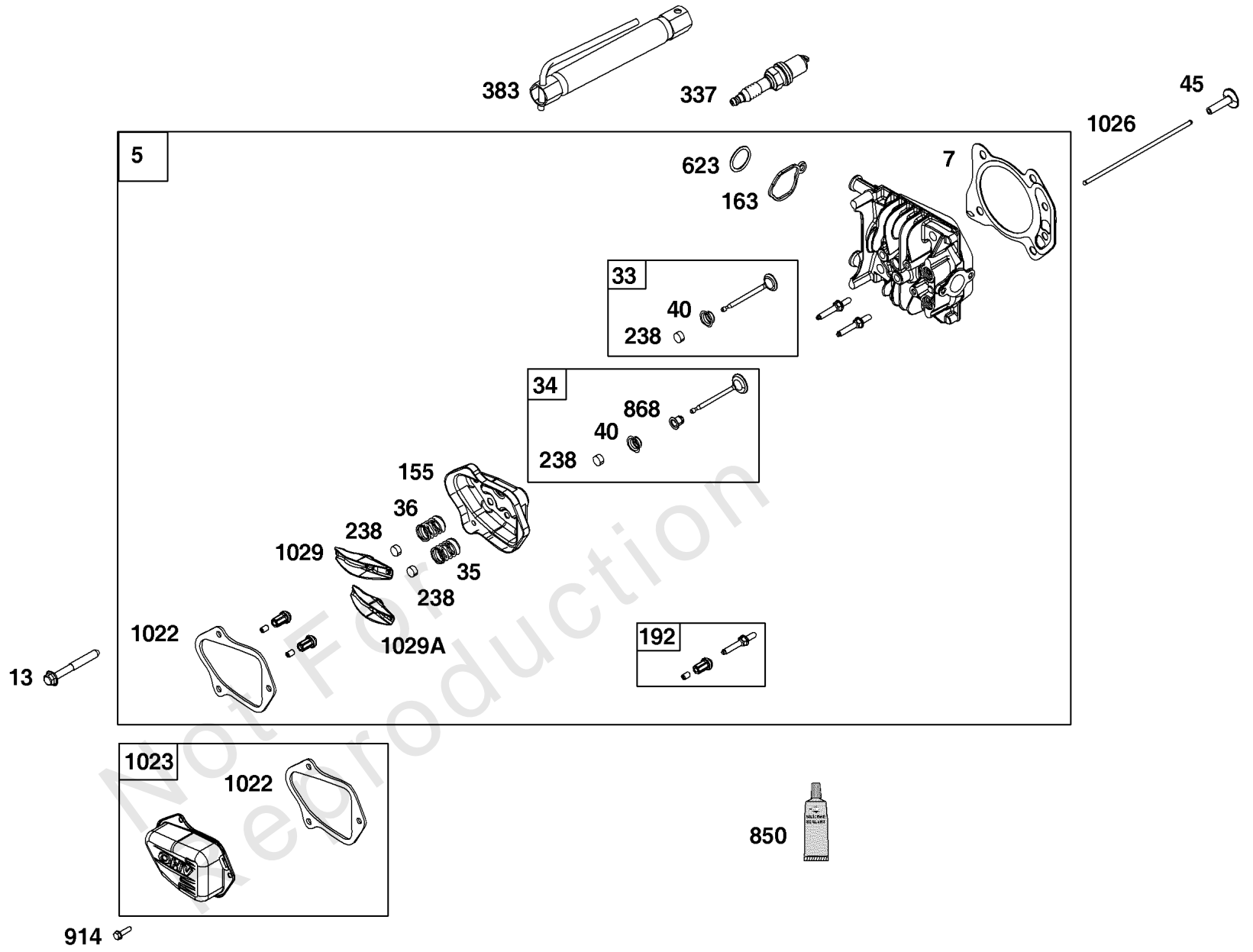
1022 

20 



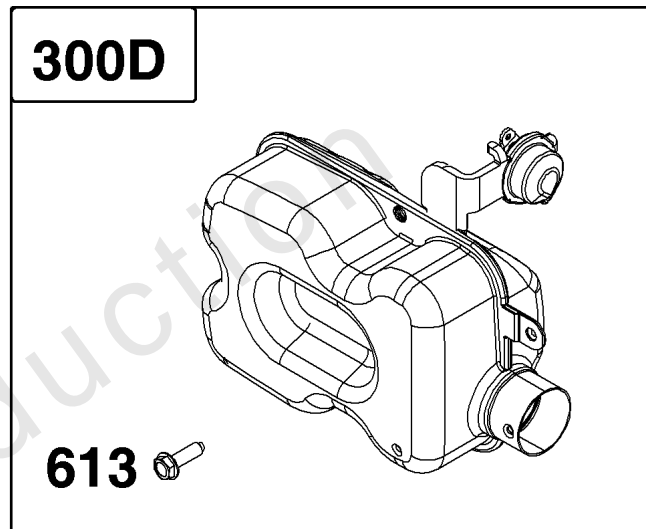
## Cylinder Group

REF NO	PART NO	QTY	DESCRIPTION
1	594100	1	CYLINDER ASSEMBLY
3	299819S	1	SEAL, Oil -(Magneto Side)
7	-----	1	GASKET, Cylinder Head -(Part information located in Cylinder Head Group.)
12	-----	1	GASKET, Crankcase -(Part information located in Crankcase Cover/Sump and Lubrication Group.)
20	-----	1	SEAL, Oil -(Part information located in Crankcase Cover/Sump and Lubrication Group.)
163	-----	1	GASKET, Air Cleaner -(Part information located in Carburetor Group.)
358	-----	1	GASKET SET, Engine -(Part information located in Crankcase Cover/Sump and Lubrication Group.)
404	690272	1	WASHER -(Governor Crank)
524	-----	1	SEAL, O-Ring -(Part information located in Crankcase Cover/Sump and Lubrication Group.)
615	690340	1	RETAINER, Governor Shaft
616	590516	1	CRANK, Governor
623	-----	1	SEAL, O-Ring -(Part information located in Carburetor Group.)
718	-----	2	PIN, Locating -(Part information located in Crankcase Cover/Sump and Lubrication Group.)
842	-----	1	SEAL, O-Ring -(Part information located in Crankcase Cover/Sump and Lubrication Group.)
850	-----	1	SEALANT, Liquid -(Part information located in Cylinder Head Group.)
868	-----	1	SEAL, Valve -(Part information located in Cylinder Head Group.)
1022	-----	1	GASKET, Rocker Cover -(Part information located in Cylinder Head Group.)
1263	697124	1	REED, Breather
1264	793453	1	SCREW -(Breather Reed)

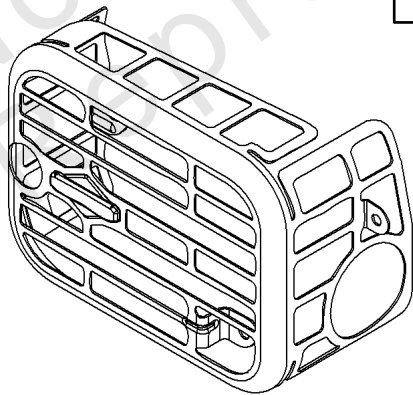


## Cylinder Head Group

REF NO	PART NO	QTY	DESCRIPTION
3	-----	1	SEAL, Oil -(Part information located in Cylinder Group.)
5	595353	1	HEAD, Cylinder
7	592358	1	GASKET, Cylinder Head
12	-----	1	GASKET, Crankcase -(Part information located in Crankcase Cover/Sump and Lubrication Group.)
13	590512	4	SCREW -(Cylinder Head)
20	-----	1	SEAL, Oil -(Part information located in Crankcase Cover/Sump and Lubrication Group.)
33	594095	1	VALVE, Exhaust
34	594094	1	VALVE, Intake
35	590532	1	SPRING, Valve -(Intake)
36	590532	1	SPRING, Valve -(Exhaust)
40	594092	2	RETAINER, Valve
45	590514	2	TAPPET, Valve
155	594093	1	PLATE, Cylinder Head
163	-----	1	GASKET, Air Cleaner -(Part information located in Carburetor Group.)
192	590535	2	ADJUSTER, Rocker Arm
238	594097	2	CAP, Valve
337	491055S	1	PLUG, Spark
358	-----	1	GASKET SET, Engine -(Part information located in Crankcase Cover/Sump and Lubrication Group.)
383	19576S	1	WRENCH, Spark Plug
524	-----	1	SEAL, O-Ring -(Part information located in Crankcase Cover/Sump and Lubrication Group.)
623	-----	1	SEAL, O-Ring -(Part information located in Carburetor Group.)
842	-----	1	SEAL, O-Ring -(Part information located in Crankcase Cover/Sump and Lubrication Group.)
850	100106	1	SEALANT, Liquid
868	594096	1	SEAL, Valve
914	591103	3	SCREW -(Rocker Cover)
1022	595342	1	GASKET, Rocker Cover
1023	595352	1	COVER, Rocker
1026	590515	2	ROD, Push
1029	590526	1	ARM, Rocker
1029A	590527	1	ARM, Rocker

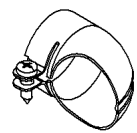


**832A**



**836** 

**676A**

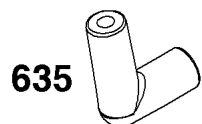
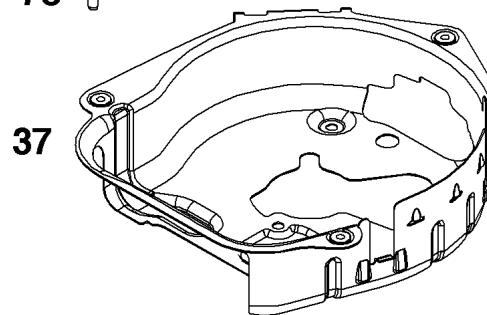
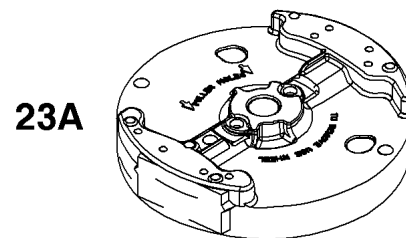
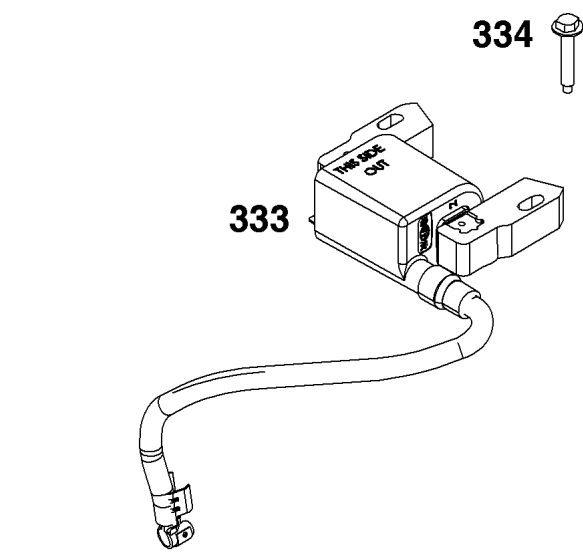
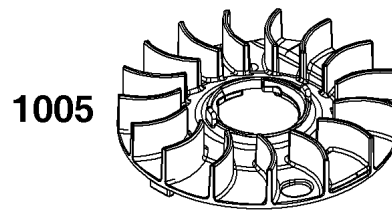
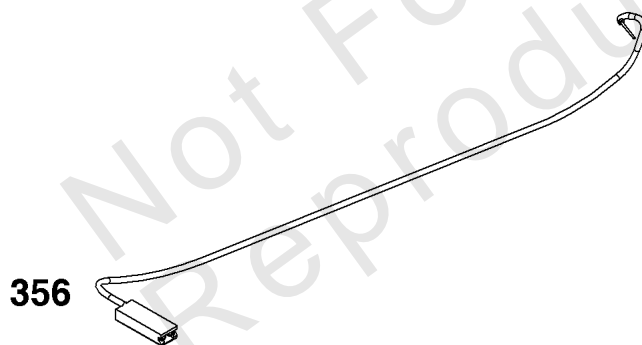
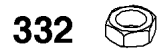
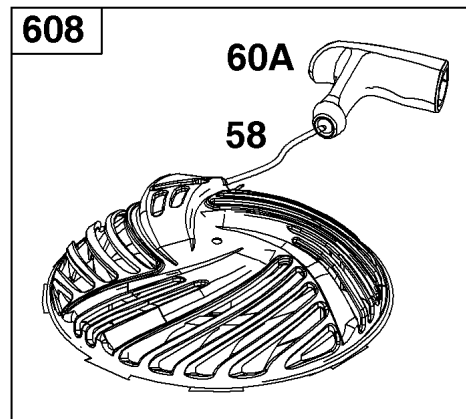


## *Exhaust Group*

---

REF NO	PART NO	QTY	DESCRIPTION
300D	594108	1	MUFFLER
613	590562	2	SCREW -(Muffler)
676A	594563	1	DEFLECTOR, Muffler
832A	594109	1	GUARD, Muffler
836	690661	3	SCREW -(Muffler Guard)

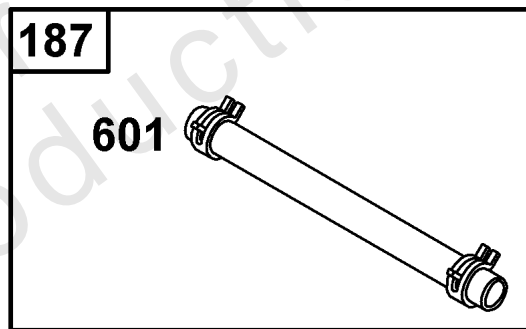
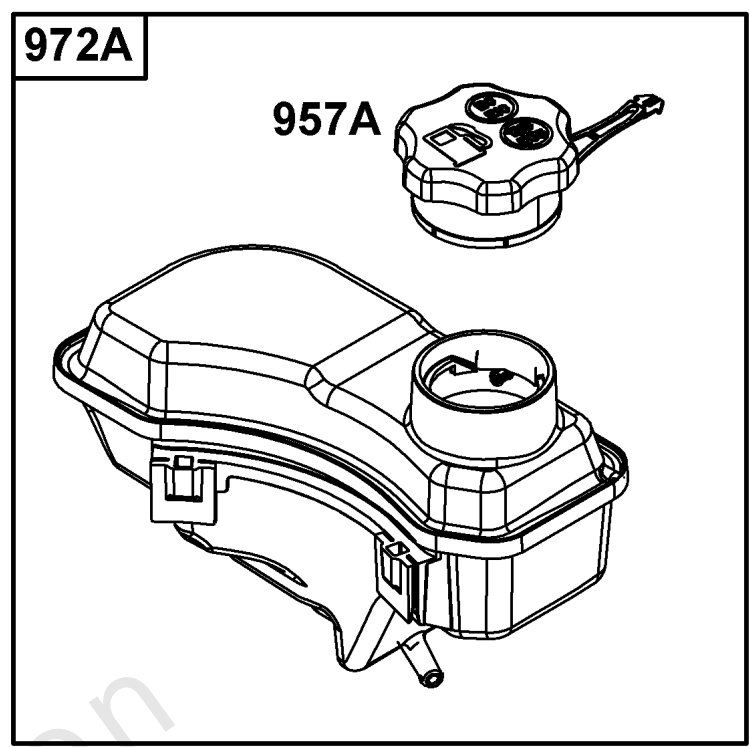
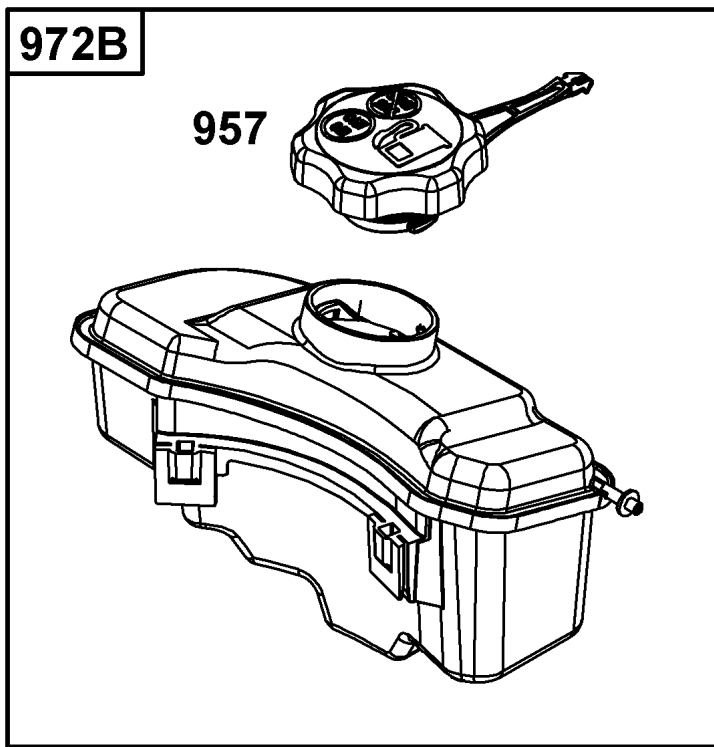
Not For Reproduction



## ***Flywheel, Ignition, and Starter Group***

<b>REF NO</b>	<b>PART NO</b>	<b>QTY</b>	<b>DESCRIPTION</b>
23A	594054	1	FLYWHEEL
37	594103	1	GUARD, Flywheel
58	591108	1	ROPE, Starter
60A	281434S	1	GRIP, Starter Rope
78	793480	5	SCREW -(Flywheel Guard)
332	690662	1	NUT -(Flywheel)
333	595009	1	ARMATURE, Magneto
334	691061	2	SCREW -(Magneto Armature)
356	595018	1	WIRE, Stop
363	19619	1	PULLER, Flywheel
455A	596466	1	CUP, Flywheel
608	596468	1	STARTER, Rewind
635	692076	1	BOOT, Spark Plug
668	590546	1	SPACER
1005	594102	1	FAN, Flywheel

Not For Reproduction



Not For Reproduction



## *Fuel Supply Group*

REF NO	PART NO	QTY	DESCRIPTION
187	791766	1	LINE, Fuel
601	791850	2	CLAMP, Hose
957	594061	1	CAP, Fuel Tank -Used Before Code Date 20010100
957A	84004416	1	CAP, Fuel Tank
972B	594112	1	TANK, Fuel -Used Before Code Date 20010100
972A	84004115	1	TANK, FUEL -Used After Code Date 19123100

Not For Reproduction

