



# Parts Manual

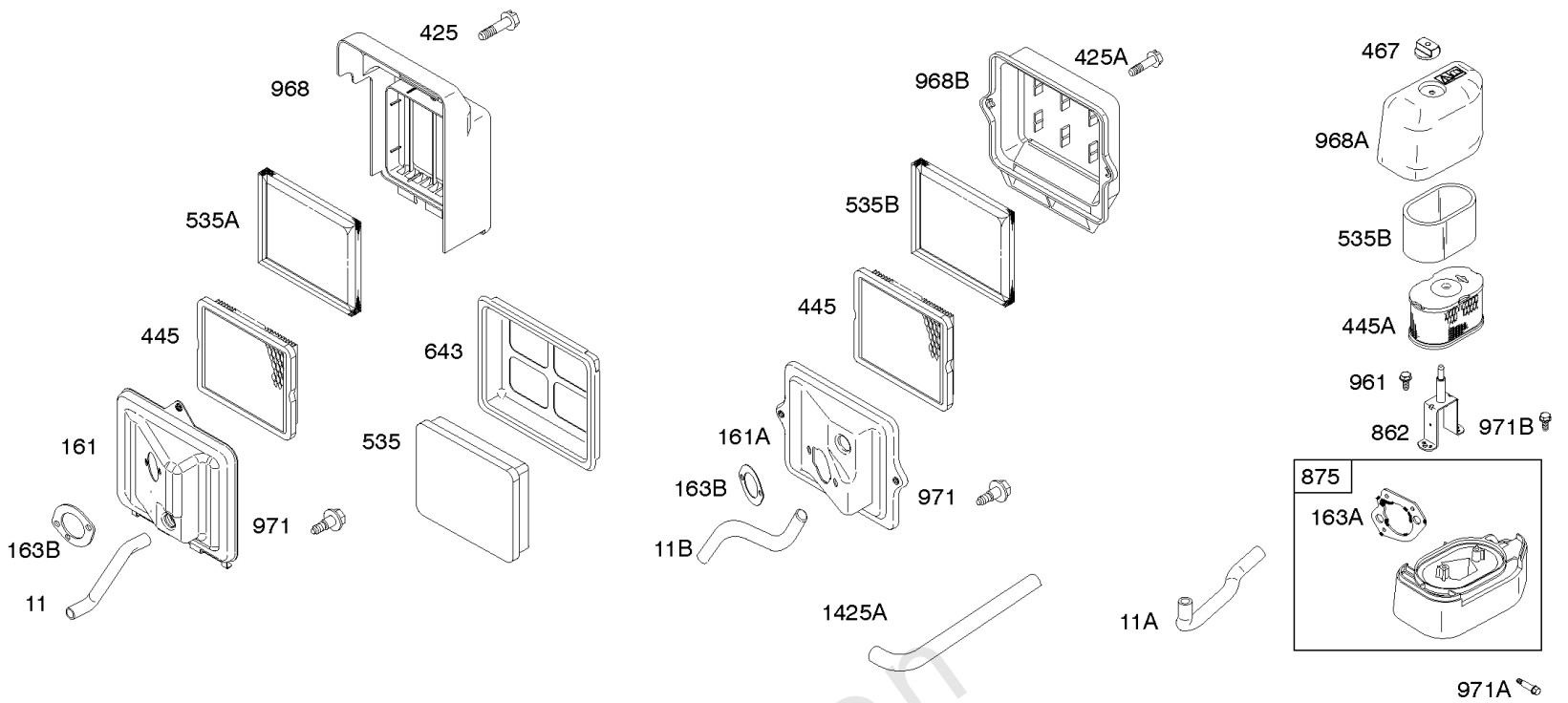
Mfg. No: 12S492-0070-F8



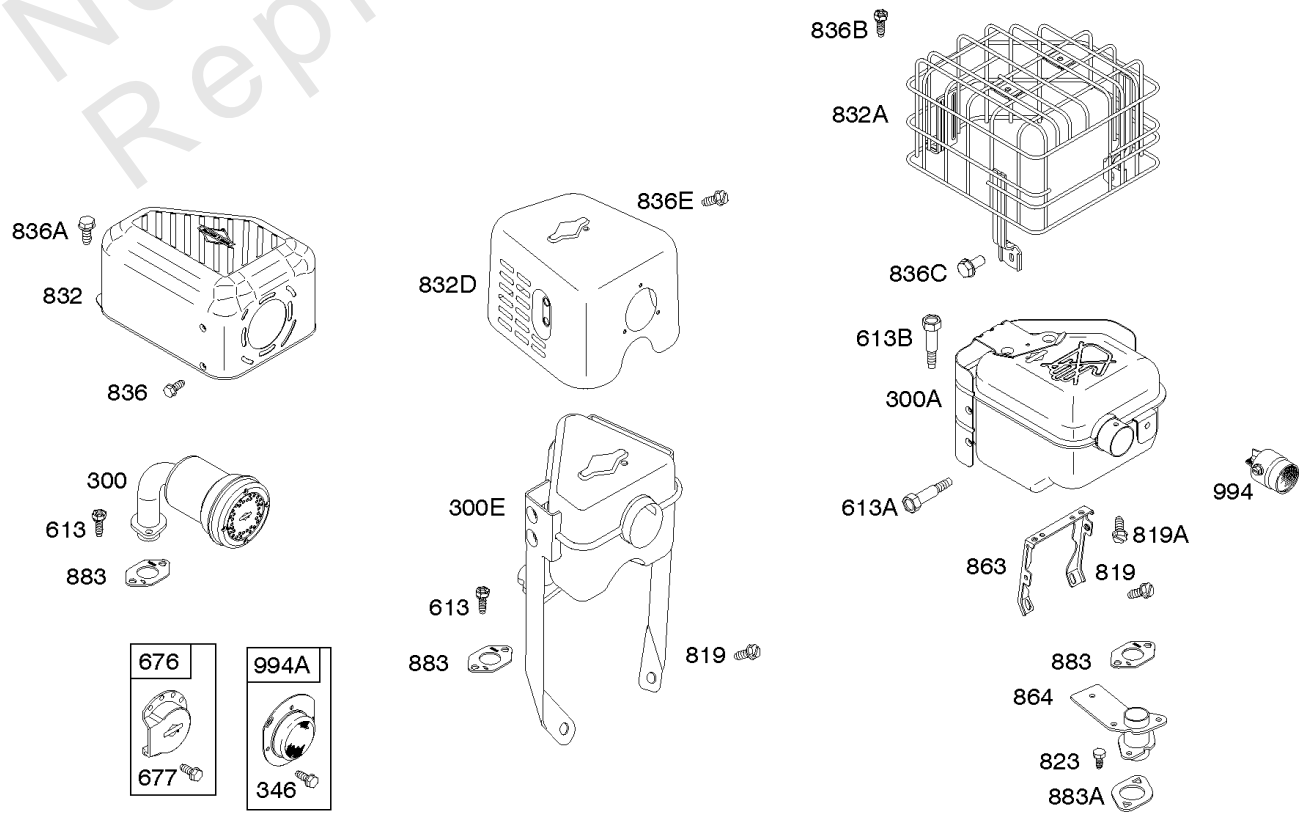
---

<b>Model Components</b>	<b>Page</b>
Air Cleaner, Exhaust System. ....	4
Blower Housing, Electric Starter, Flywheel, Rewind Starter. ....	8
Camshaft, Crankshaft, Cylinder, Piston Group. ....	12
Carburetor, Fuel Supply. ....	16
Controls, Governor Spring, Ignition. ....	20
Crankcase Cover, Gear Reduction, Lubrication. ....	24
Cylinder Head. ....	26
Replacement Engine - US & Canada. ....	30

Not For  
Reproduction

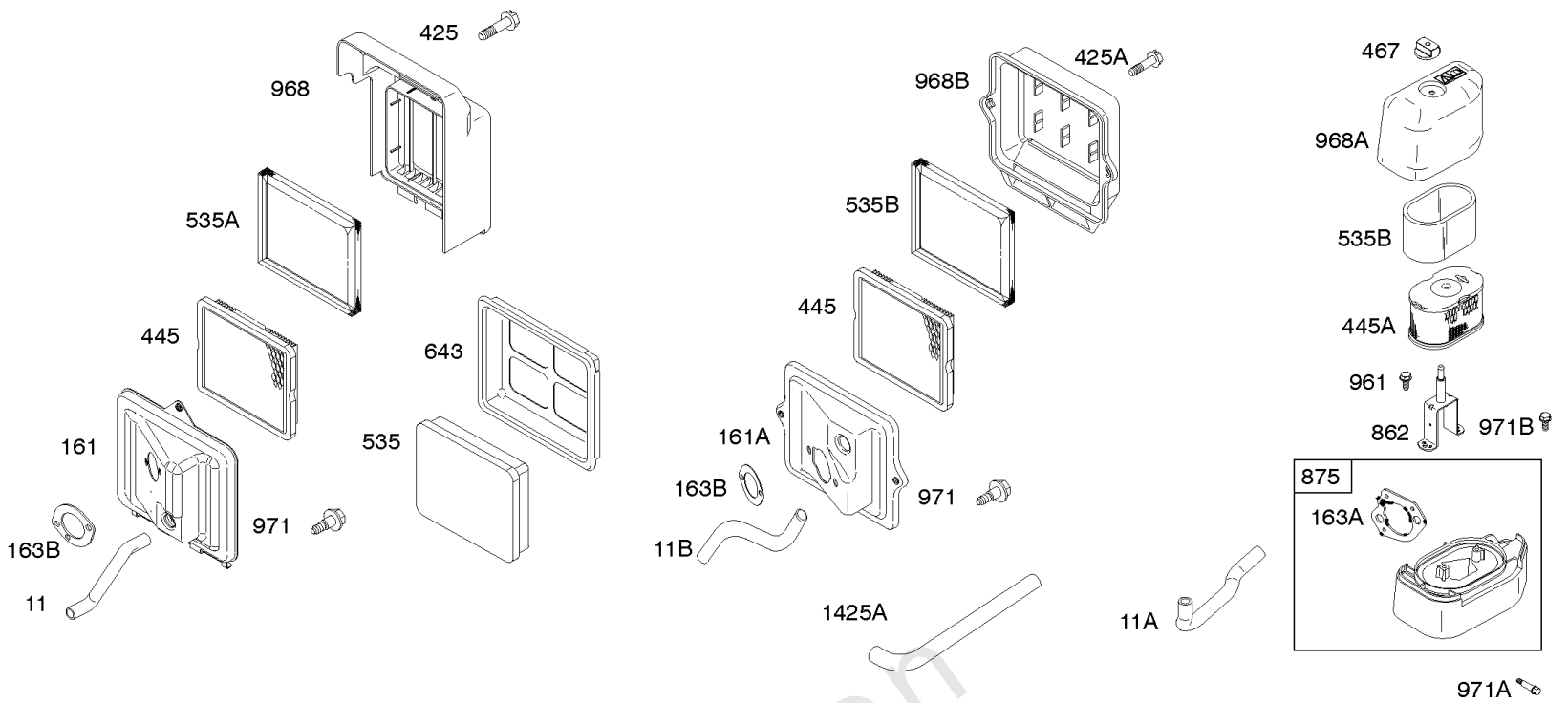


Not For  
Reproduction

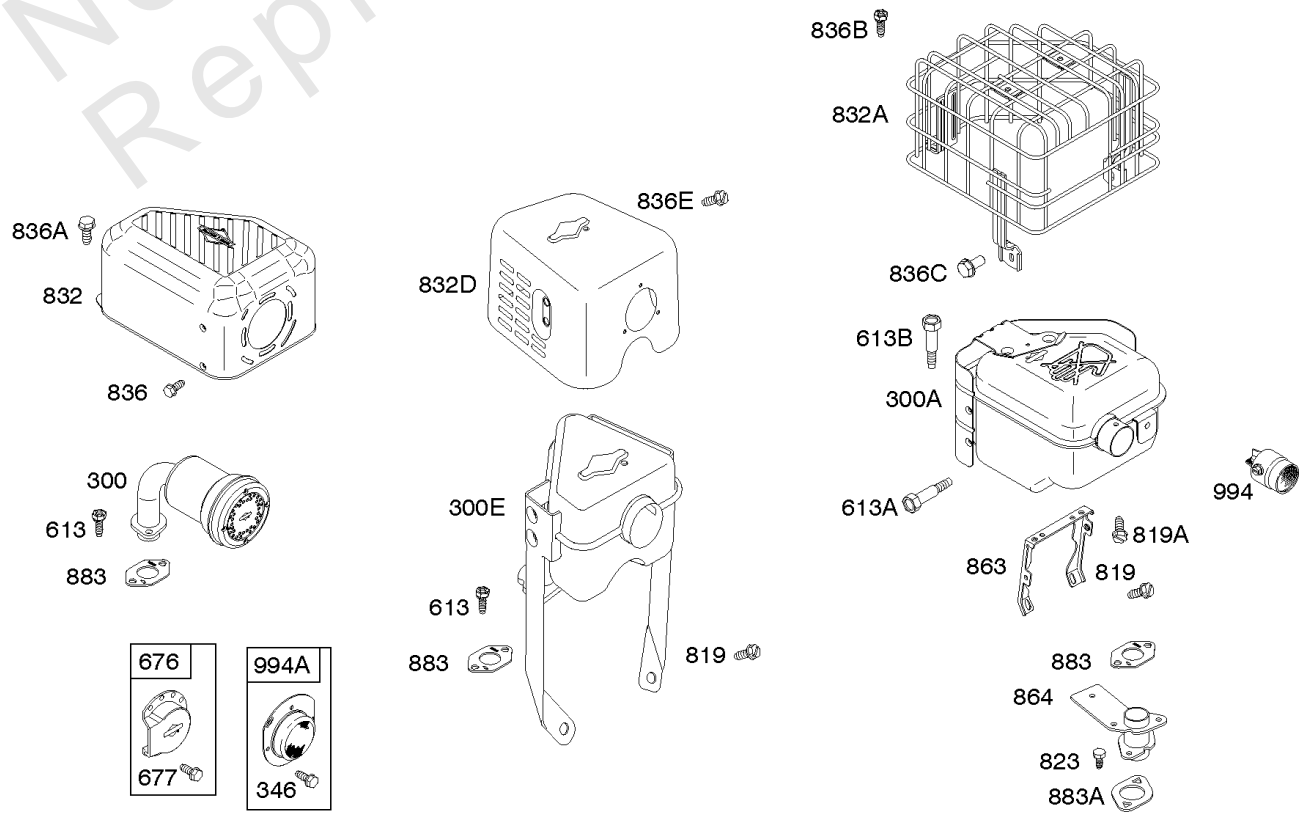


## Air Cleaner, Exhaust System

REF NO	PART NO	QTY	DESCRIPTION
11	692600		TUBE, Breather -(Flat Panel Air Cleaner)
11A	693647		TUBE, Breather -(High Mount Air Cleaner)
11B	790632		TUBE, Breather -(Ultra Low Mount Air Cleaner)
161	699207		BASE, Air Cleaner -(Flat Panel Air Cleaner)
163A	792870		GASKET, Air Cleaner -(High Mount Air Cleaner)
163B	696024		GASKET, Air Cleaner -(Air Cleaner)
300	693593		MUFFLER
300A	797433		MUFFLER
300E	791595		MUFFLER
346	699203		SCREW -(Spark Arrestor) (Metric)
346	690661		SCREW -(Spark Arrestor) (SAE)
425	699208		SCREW -(Air Cleaner Cover)
425A	699492		SCREW -(Air Cleaner Cover)
445	491588S		FILTER, A/C Cartridge -(Flat Panel)
445A	697029		FILTER, A/C Cartridge -(High Mount Air Cleaner)
467	691668		KNOB, Air Cleaner Cover
535	696263		FILTER, Air Cleaner Foam
535A	493537S		FILTER, Air Cleaner Foam
535B	273356S		FILTER, Air Cleaner Foam
613	791972		SCREW -(Muffler)
613A	699481		SCREW -(Muffler)
613B	799081		SCREW -(Muffler)
643	696264		RETAINER, Air Filter
676	796956		DEFLECTOR, Muffler
677	699203		SCREW -(Muffler Deflector) (Metric)
677	690661		SCREW -(Muffler Deflector) (SAE)
819	699233		SCREW -(Muffler Bracket)
819A	699230		SCREW -(Muffler Bracket)
823	791972		SCREW -(Muffler Adapter)
832	693583		GUARD, Muffler
832A	697818		GUARD, Muffler
832D	796240		GUARD, Muffler
836	699203		SCREW -(Muffler Guard)
836A	699632		SCREW -(Muffler Guard)
836C	699234		SCREW -(Muffler Guard)



Not For  
Reproduction

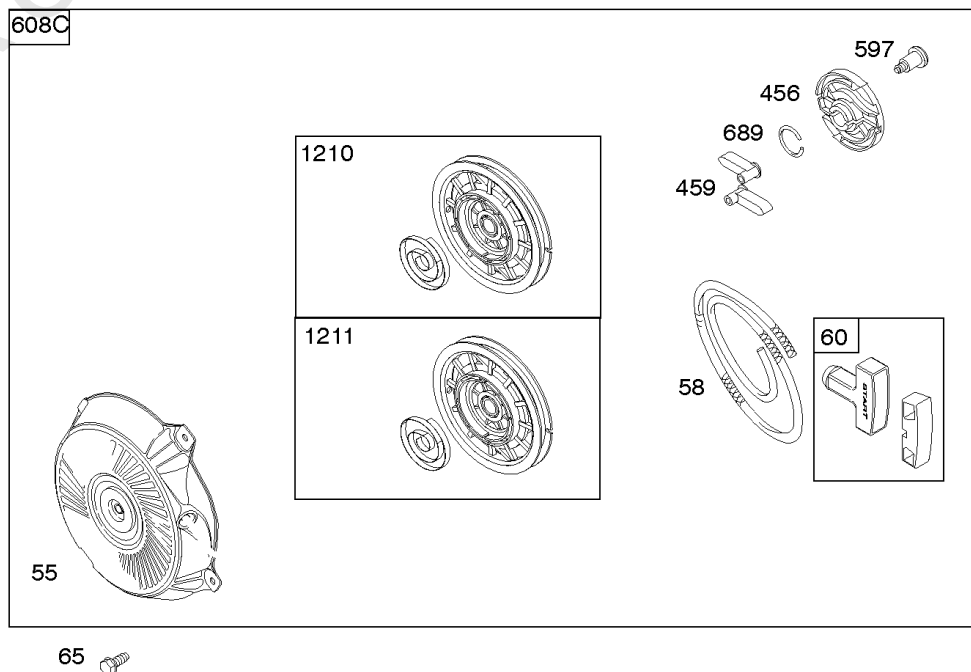
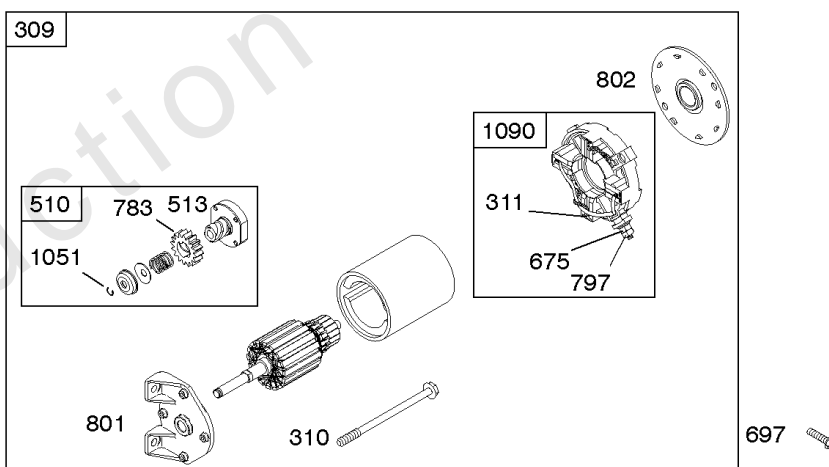
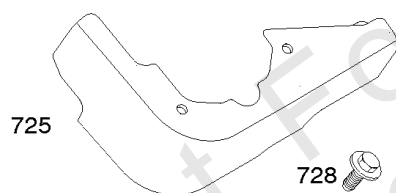
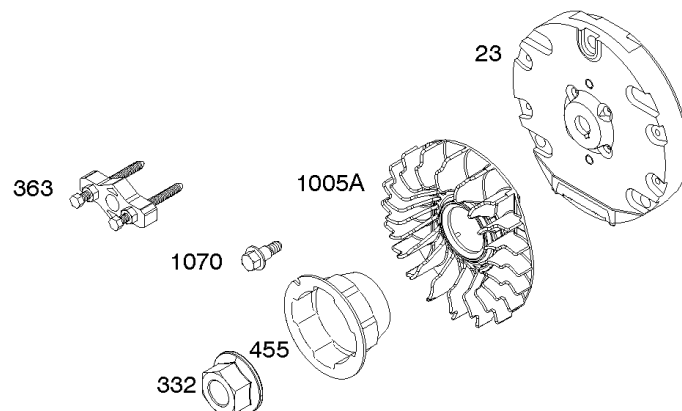
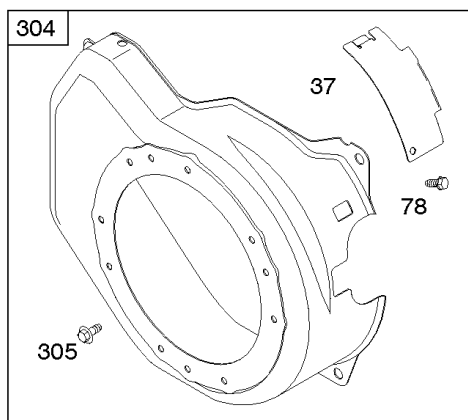


## Air Cleaner, Exhaust System

REF NO	PART NO	QTY	DESCRIPTION
836E	699755		SCREW -(Muffler Guard)
836B	791972		SCREW -(Muffler Guard)
862	693462		STRAP/STUD, Air Cleaner Mounting
863	699229		BRACKET, Muffler
864	699232		ADAPTER, Muffler
875	591306		BASE, Air Cleaner -(High Mount Air Cleaner)
883	691893		GASKET, Exhaust
883A	692237		GASKET, Exhaust -(Head To Adapter)
961	698304		SCREW -(Air Cleaner Bracket)
968	692584		COVER, Air Cleaner -(Flat Panel)
968A	693460		COVER, Air Cleaner -(High Mount Air Cleaner)
968B	791082		COVER, Air Cleaner -(Ultra Low Mount Air Cleaner)
971	690370		SCREW -(Air Cleaner Base to Carburetor/Throttle Body) (SAE)
971	798649		SCREW -(Air Cleaner Base to Carburetor/Throttle Body) (Metric)
971A	591307		SCREW -(Air Cleaner Base to Carburetor/Throttle Body)
971B	699234		SCREW -(Air Cleaner Base to Carburetor/Throttle Body)
994	790153		ARRESTOR, Spark
994A	399541		ARRESTOR, Spark
1425A	795227		HOSE, Purge Line

# Blower Housing, Electric Starter, Flywheel, Rewind Starter

Mfg. No: 12S492-0070-F8



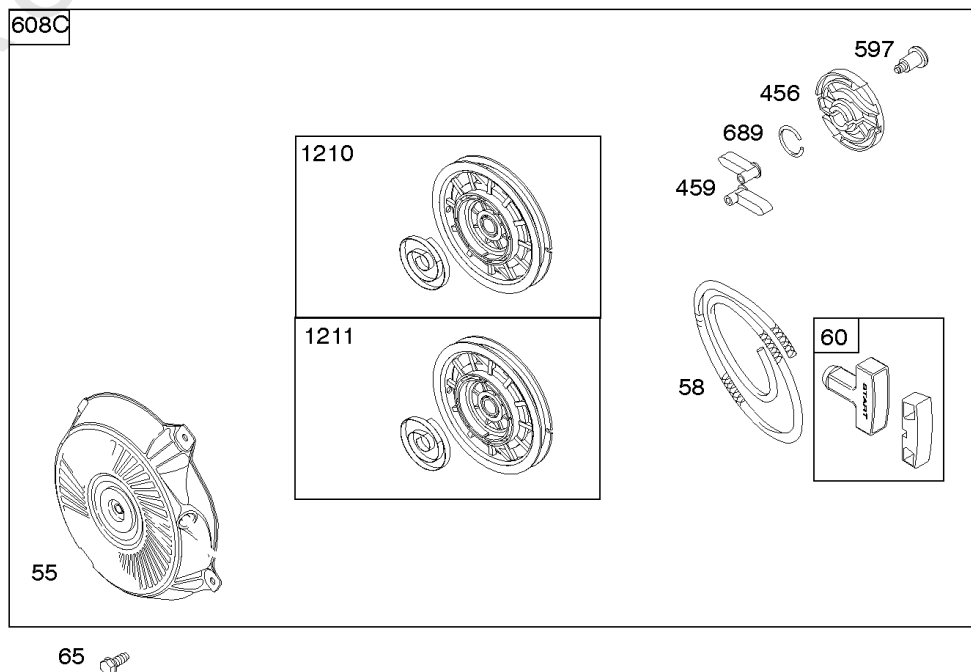
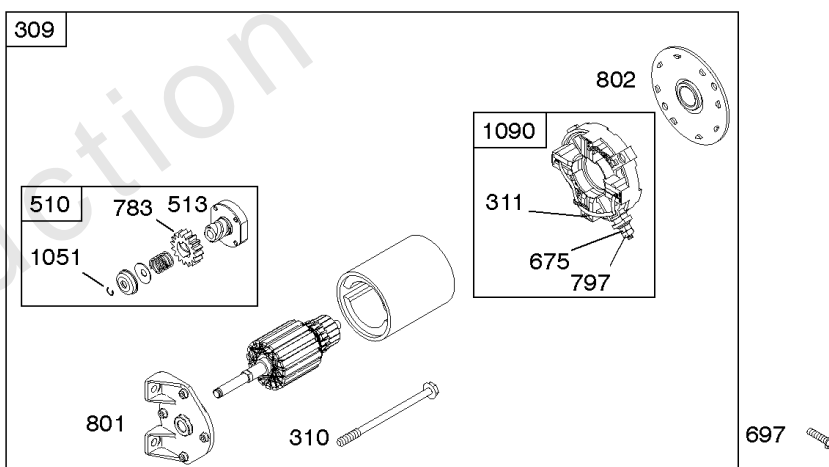
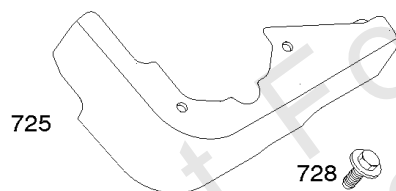
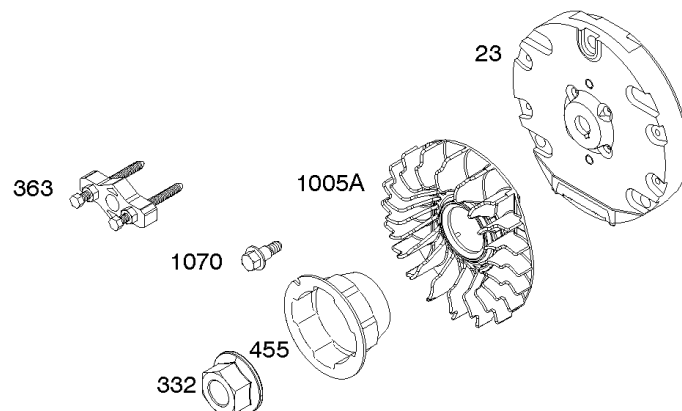
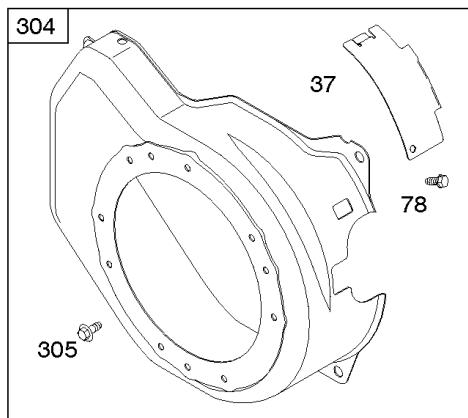


## Blower Housing, Electric Starter, Flywheel, Rewind Starter

REF NO	PART NO	QTY	DESCRIPTION
23	699488		FLYWHEEL
37	699661		GUARD, Flywheel
55	791848		HOUSING, Rewind Starter -Used Before Code Date 12010100
55	-----		Housing-Rewind Starter -(Not Serviced Separate. Service With Rewind Assembly.) -Used After Code Date 11123100
58	693389		ROPE, Starter -(Cut To Required Length) -Used After Code Date 08030200
58	66574		ROPE, Starter -(Cut To Required Length) -Used Before Code Date 08030300
60	490652		HANDLE, Starter Rope
65	699228		SCREW -(Rewind Starter) (Metric)
78	699205		SCREW -(Flywheel Guard)
304	699598		HOUSING, Blower
305	699481		SCREW -(Blower Housing)
309	694504		MOTOR, Starter
310	690323		BOLT -(Starter Motor)
311	497608		SET, Brush
332	591988		NUT -(Flywheel)
363	19203		PULLER, Flywheel
455	591302		CUP, Flywheel
456	-----		Plate-Pawl Friction -(Not Serviced Separate. Service With Rewind Assembly.) -Used After Code Date 11123100
456	692299		PLATE, Pawl Friction -Used Before Code Date 12010100
459	-----		Pawl-Ratchet -(Not Serviced Separate. Service With Rewind Assembly.) -Used After Code Date 11123100
459	281505S		PAWL, Ratchet -Used Before Code Date 12010100
510	499308		DRIVE, Starter
513	692024		CLUTCH, Drive
597	-----		Screw -(Pawl Friction Plate) (Not Serviced Separate. Service With Rewind Assembly.) -Used After Code Date 11123100
597	691696		SCREW -(Pawl Friction Plate) -Used Before Code Date 12010100
608C	591301		STARTER, Rewind
675	691261		WASHER -(Brush Retainer)
689	691855		SPRING, Friction -Used Before Code Date 12010100
689	-----		Spring-Friction -(Not Serviced Separate. Service With Rewind Assembly.) -Used After Code Date 11123100
697	699200		SCREW -(Starter Motor) (Drive Cap)
725	792874		SHIELD, Heat
727	698039		COVER, Starter Drive

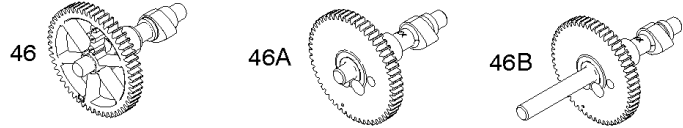
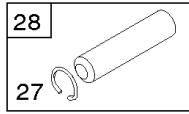
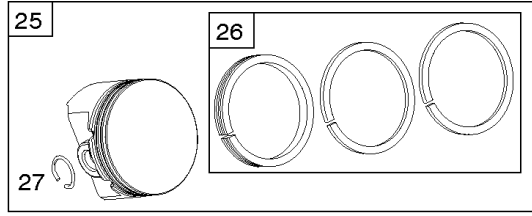
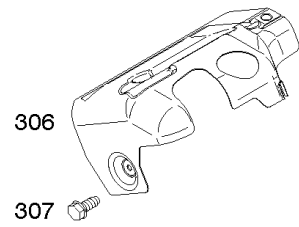
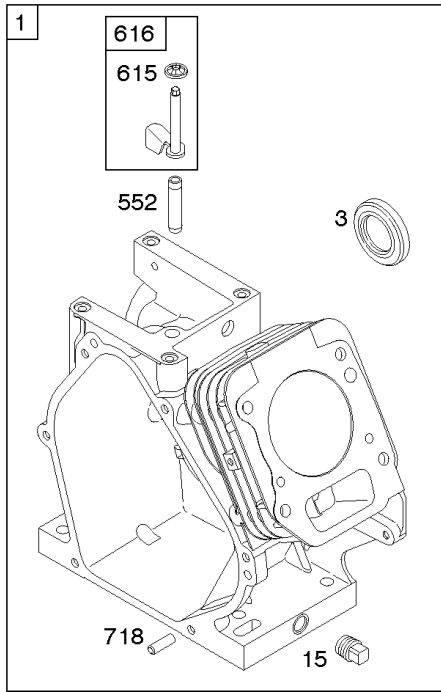
# Blower Housing, Electric Starter, Flywheel, Rewind Starter

Mfg. No: 12S492-0070-F8

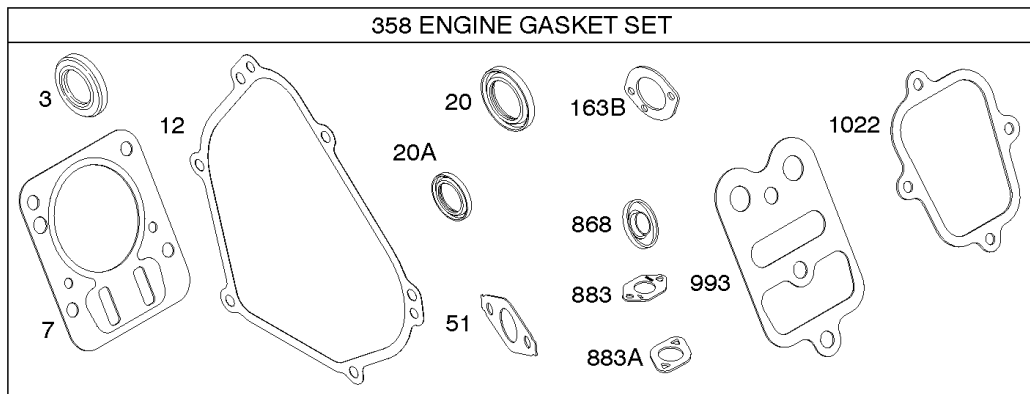
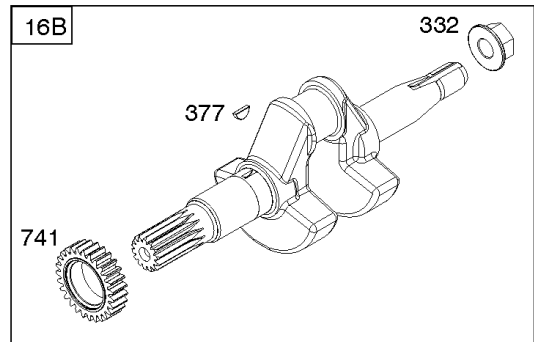
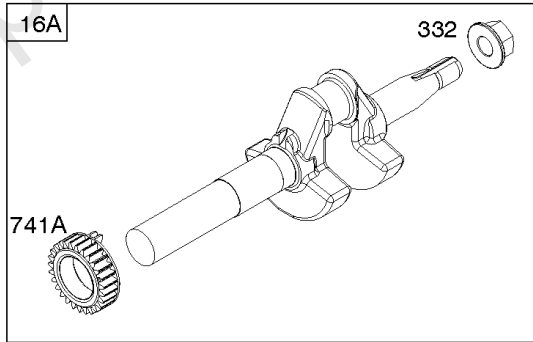
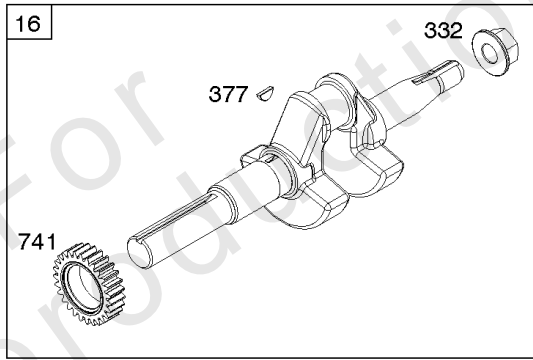
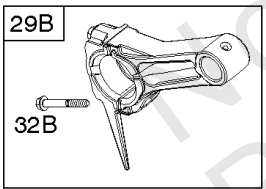
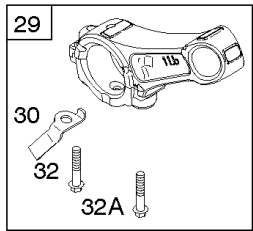


## Blower Housing, Electric Starter, Flywheel, Rewind Starter

REF NO	PART NO	QTY	DESCRIPTION
728	699491		SCREW -(Heat Shield)
732	699200		SCREW -(Starter Drive Cover)
783	692353		GEAR, Pinion
797	691029		NUT -(Brush Retainer)
801	694482		CAP, Drive
802	691286		CAP, End
1005A	794273		FAN, Flywheel
1051	691265		RING, Retaining
1070	699201		SCREW -(Flywheel Fan)
1090	691293		RETAINER, Brush
1210	-----		Pulley/Spring Assembly -(Pulley) (Not Serviced Separate. Service With Rewind Assembly.) -Used After Code Date 11123100
1210	498144		PULLEY/SPRING ASSEMBLY -(Pulley) -Used Before Code Date 08030300
1210	791849		PULLEY/SPRING ASSEMBLY -(Pulley) -Used Before Code Date 12010100
1211	-----		Pulley/Spring Assembly -(Spring) (Not Serviced Separate. Service With Rewind Assembly.) -Used After Code Date 11123100
1211	791849		PULLEY/SPRING ASSEMBLY -(Spring) -Used Before Code Date 12010100

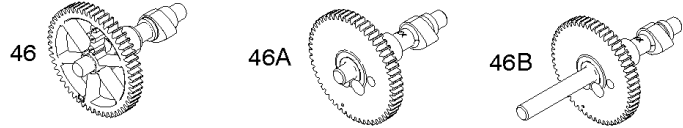
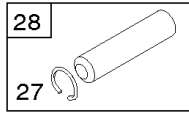
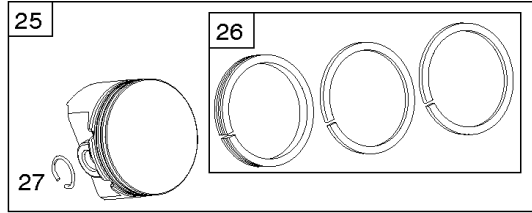
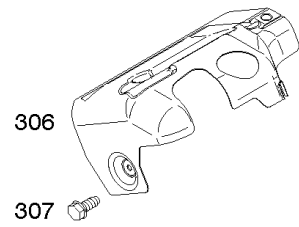
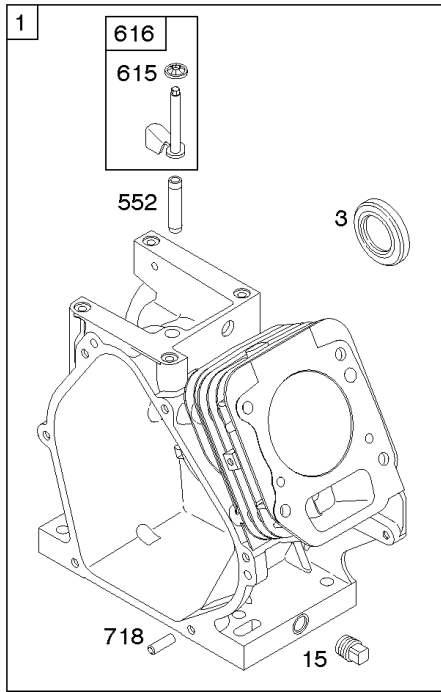


- 1036 EMISSIONS LABEL
- 1058 OPERATOR'S MANUAL
- 1319 WARNING LABEL
- 1319A WARNING LABEL
- 1330 REPAIR MANUAL

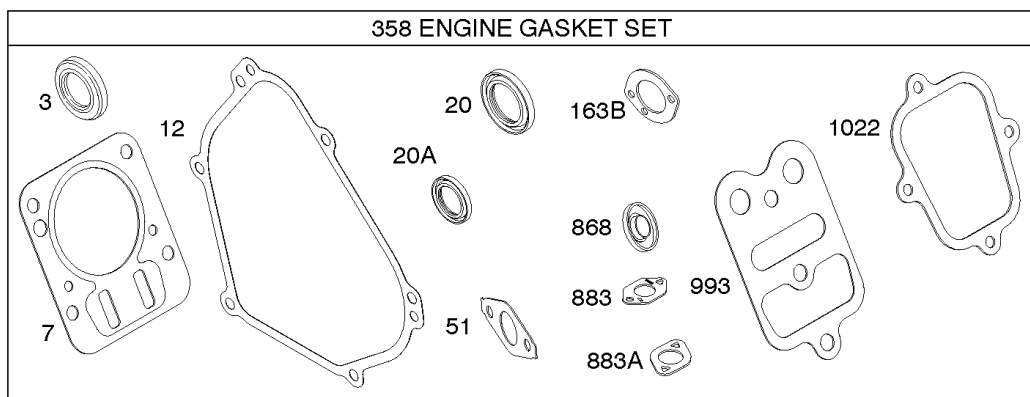
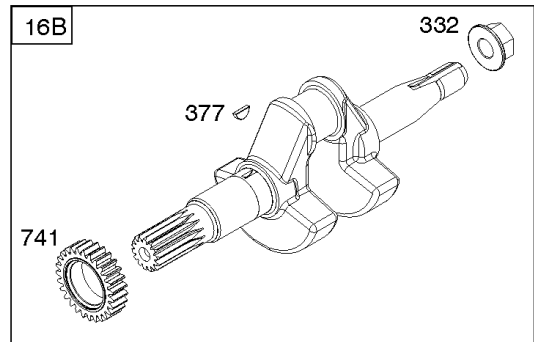
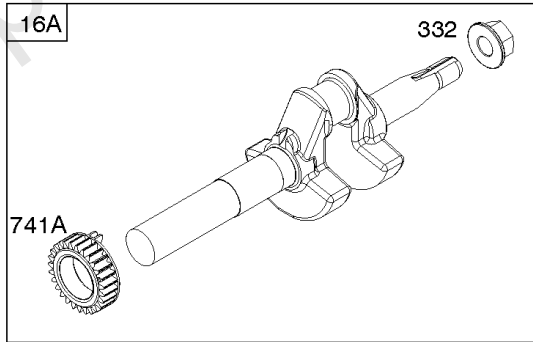
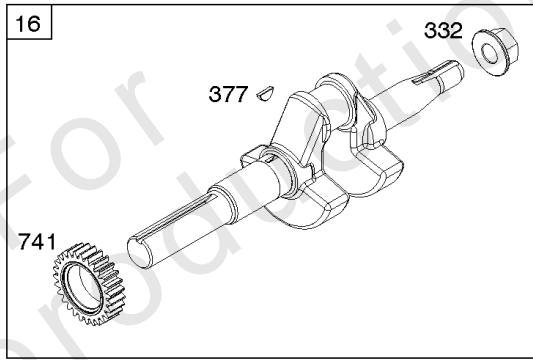
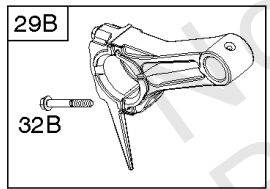
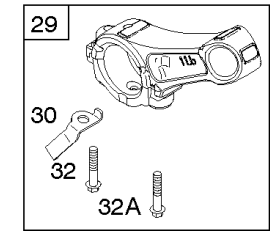


## Camshaft, Crankshaft, Cylinder, Piston Group

REF NO	PART NO	QTY	DESCRIPTION
1	699505		CYLINDER ASSEMBLY
3	299819S		SEAL, Oil -(Magneto Side)
7	698210		GASKET, Cylinder Head
12	699485		GASKET, Crankcase
15	691686		PLUG, Oil Drain -(Square Head)
15A	691682		PLUG, Oil Drain -(Flush)
16	797070		CRANKSHAFT -(Use Reference 741 Timing Gear) -Used Before Code Date 13050600
16A	593495		CRANKSHAFT -(Use Reference 741A Timing Gear) -Used After Code Date 13050500 -Used Before Code Date 15030200
16A	593495		CRANKSHAFT -(Use Reference 741A Timing Gear) -Used After Code Date 13050500
17	798538		BEARING, Ball -(PTO Side)
17A	690824		BEARING, Ball
20	692550		SEAL, Oil -(PTO Side)
20A	691952		SEAL, Oil -(PTO Side)
24	796335		KEY, Flywheel
25	799064		PISTON ASSEMBLY -(.020 Oversize)
25	795429		PISTON ASSEMBLY -(Standard)
26	791324		SET, Ring -(.020 Oversize)
26	791969		SET, Ring -(Standard)
27	691866		LOCK, Piston Pin
28	499423		PIN, Piston -(Standard)
29	792247		ROD, Connecting -(.020 Undersize)
29B	798813		ROD, Connecting
30	791584		DIPPER, Connecting Rod
32	691664		SCREW -(Connecting Rod)
32A	695759		SCREW -(Connecting Rod)
32B	797437		SCREW -(Connecting Rod)
46B	694831		CAMSHAFT
51	692555		GASKET, Intake -(2 Required)
163B	696024		GASKET, Air Cleaner -(Air Cleaner)
306	795334		SHIELD, Cylinder
307	794822		SCREW -(Cylinder Shield)
309	694504		MOTOR, Starter
332	591988		NUT -(Flywheel)



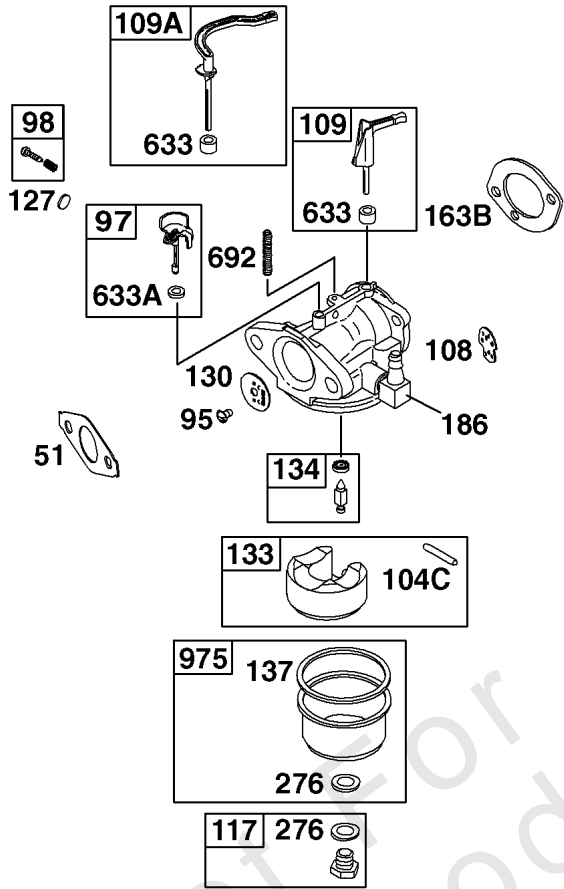
- 1036 EMISSIONS LABEL
- 1058 OPERATOR'S MANUAL
- 1319 WARNING LABEL
- 1319A WARNING LABEL
- 1330 REPAIR MANUAL



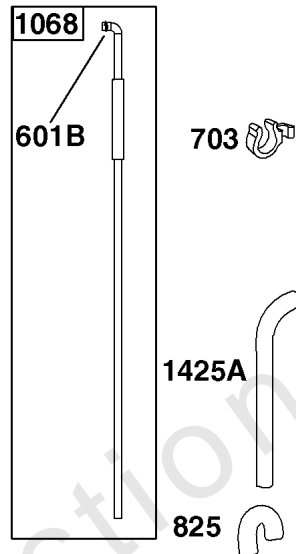
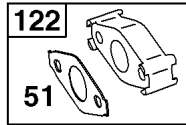
## Camshaft, Crankshaft, Cylinder, Piston Group

REF NO	PART NO	QTY	DESCRIPTION
357	692191		KEY, Drive Pulley
358	791797		GASKET SET, Engine
377	690979		KEY, Woodruff
552	692346		BUSHING, Governor Crank
615	692576		RETAINER, Governor Shaft
616	692547		CRANK, Governor
718	690959		PIN, Locating
741A	593499		GEAR, Timing -(Nylon Gear, See Reference 16A Crankshafts)
868	795440		SEAL, Valve
883	691893		GASKET, Exhaust
883A	692237		GASKET, Exhaust -(Head To Adapter)
993	694088		GASKET, Cylinder Head Plate
1022	691890		GASKET, Rocker Cover
1036	-----		Label-Emissions -(Available From A Briggs & Stratton Authorized Dealer)
1058	277040		MANUAL, Operator's
1319	794467		LABEL, Warning
1319A	797669		LABEL, Warning
1330	272147		MANUAL, Repair

NOTE: This Illustration Represents Several Carburetors. Parts Shown May Not Be Included In All Kits.

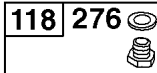


365



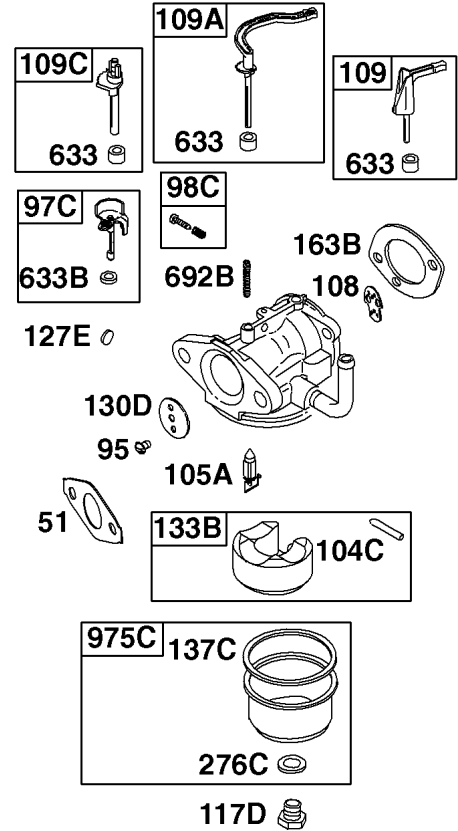
804

118D

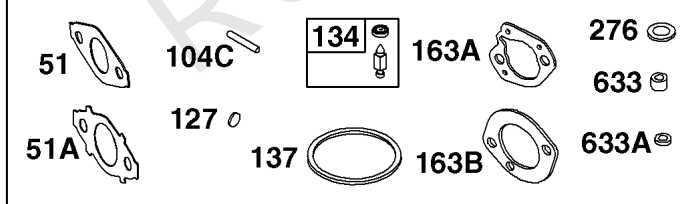


125D

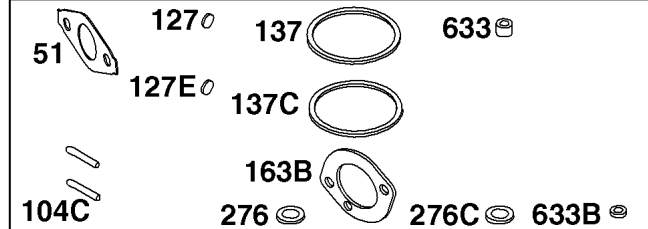
NOTE: This Illustration Represents Several Carburetors. Parts Shown May Not Be Included In All Kits.



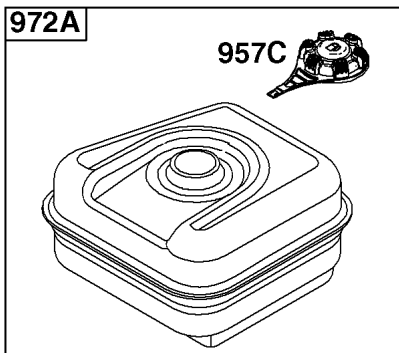
121 CARBURETOR OVERHAUL KIT



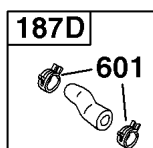
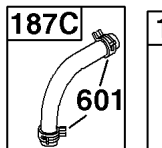
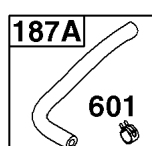
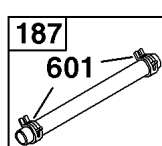
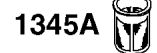
121D CARBURETOR OVERHAUL KIT



972A



190B

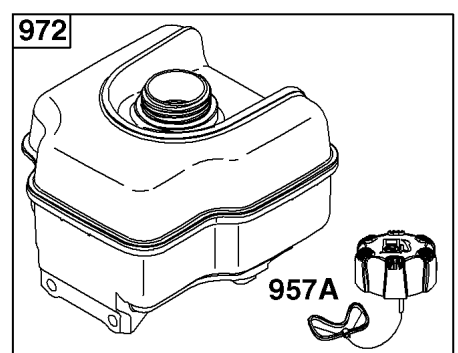


240

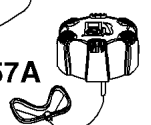


190

972



957A

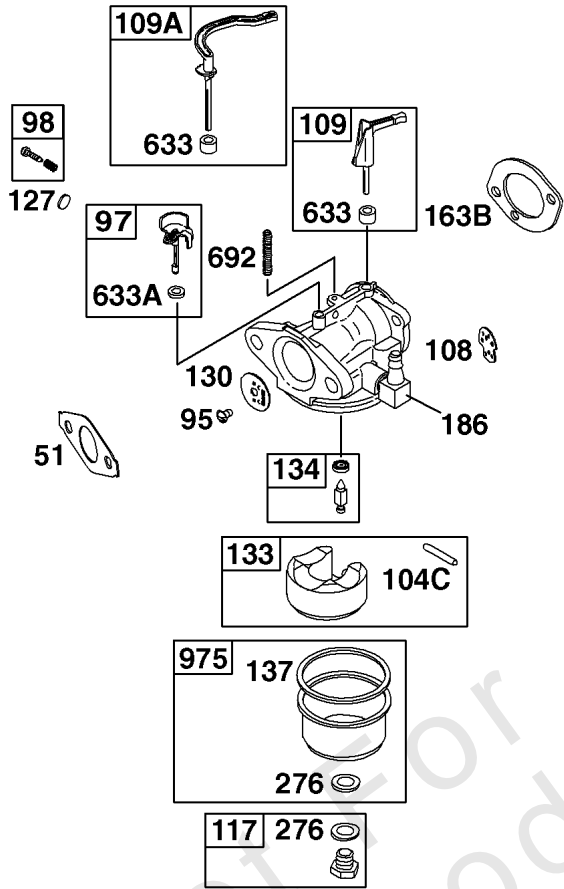




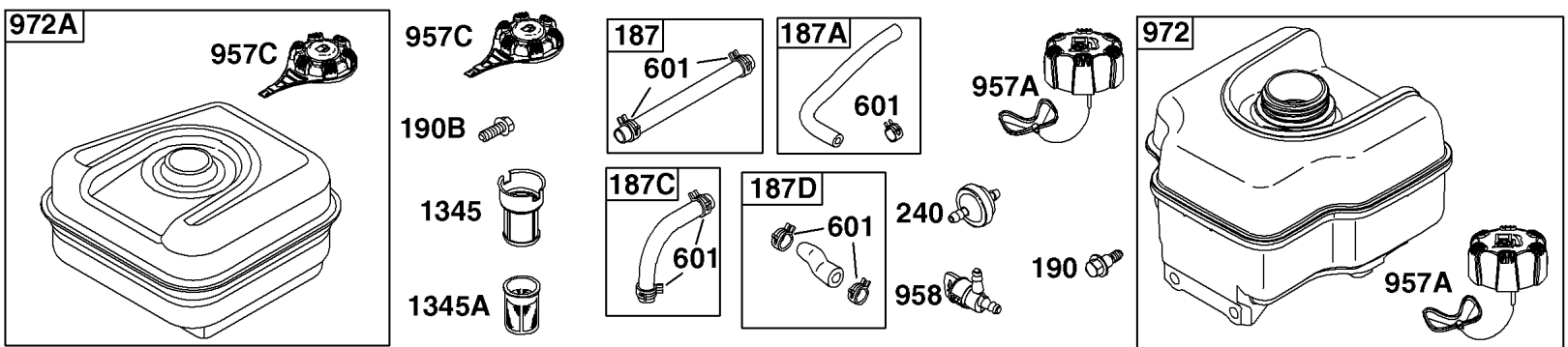
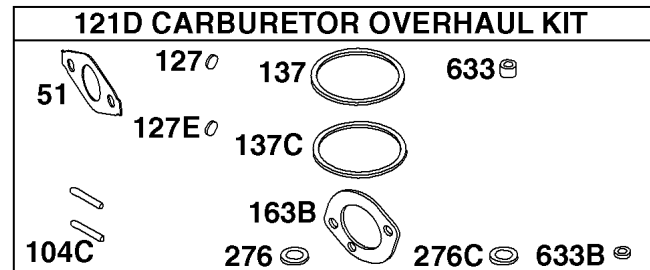
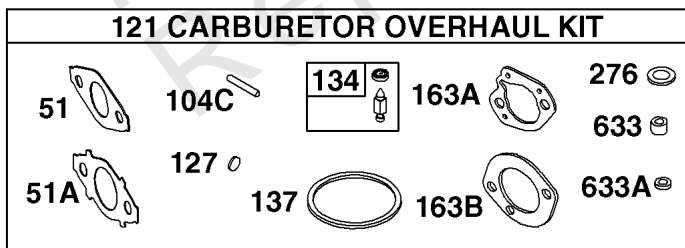
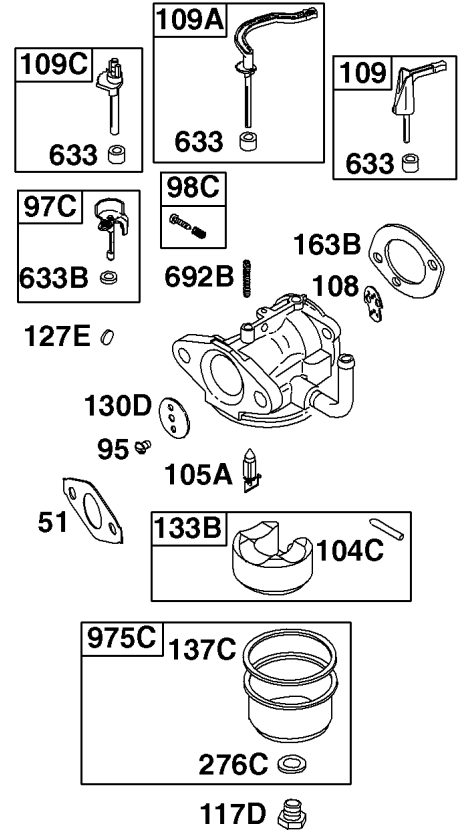
## Carburetor, Fuel Supply

REF NO	PART NO	QTY	DESCRIPTION
51	692555		GASKET, Intake -(2 Required)
51A	791718		GASKET, Intake
95	691636		SCREW -(Throttle Valve)
97	690024		SHAFT, Throttle
97C	797628		SHAFT, Throttle
98	398185		KIT, Idle Speed -(Idle Speed) (Lmt 26, 27, 28, 31)
98C	797156		KIT, Idle Speed
104C	797622		PIN, Float Hinge
105A	797139		VALVE, Float Needle
108	692567		VALVE, Choke
109	690023		SHAFT, Choke
109A	693628		SHAFT, Choke
109C	790624		SHAFT, Choke
117	690048		JET, Main -(Standard) -Used Before Code Date 10040100
117D	798652		JET, Main -(Standard) -Used After Code Date 10033100 -Used Before Code Date 12010100
117D	591298		JET, Main -(Standard) -Used After Code Date 11123100
118	497315		JET, Main -(High Altitude) -Used Before Code Date 10040100
118D	798651		JET, Main -(High Altitude) -Used After Code Date 10033100 -Used Before Code Date 12010100
118D	797574		JET, Main -(High Altitude) -Used After Code Date 11123100
121	792006		KIT, Carburetor Overhaul
121D	797634		KIT, Carburetor Overhaul
122	795643		SPACER, Carburetor
125D	591299		CARBURETOR
127	691739		PLUG, Welch
127E	797633		PLUG, Welch
130	691181		VALVE, Throttle
130D	797630		VALVE, Throttle
133	398187		FLOAT, Carburetor
133B	797136		FLOAT, Carburetor
134	398188		KIT, Needle/Seat
137	693981		GASKET, Float Bowl
137C	797625		GASKET, Float Bowl
163A	792870		GASKET, Air Cleaner -(High Mount Air Cleaner)
163B	696024		GASKET, Air Cleaner -(Air Cleaner)
186	692317		CONNECTOR, Hose
187	791766		LINE, Fuel -(Cut To Required Length)
187A	791867		LINE, Fuel -(Molded)

NOTE: This Illustration Represents Several Carburetors. Parts Shown May Not Be Included In All Kits.

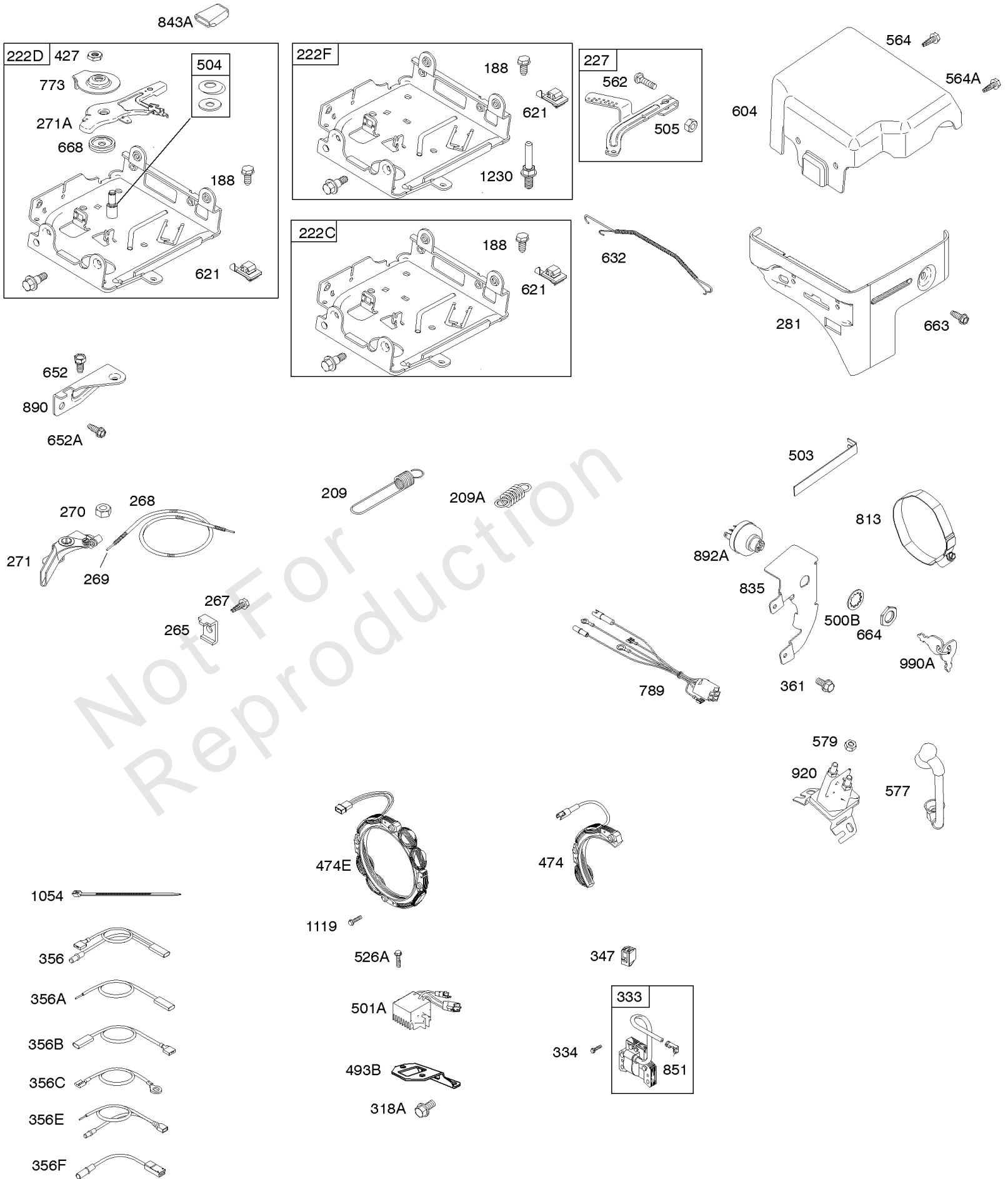


NOTE: This Illustration Represents Several Carburetors. Parts Shown May Not Be Included In All Kits.



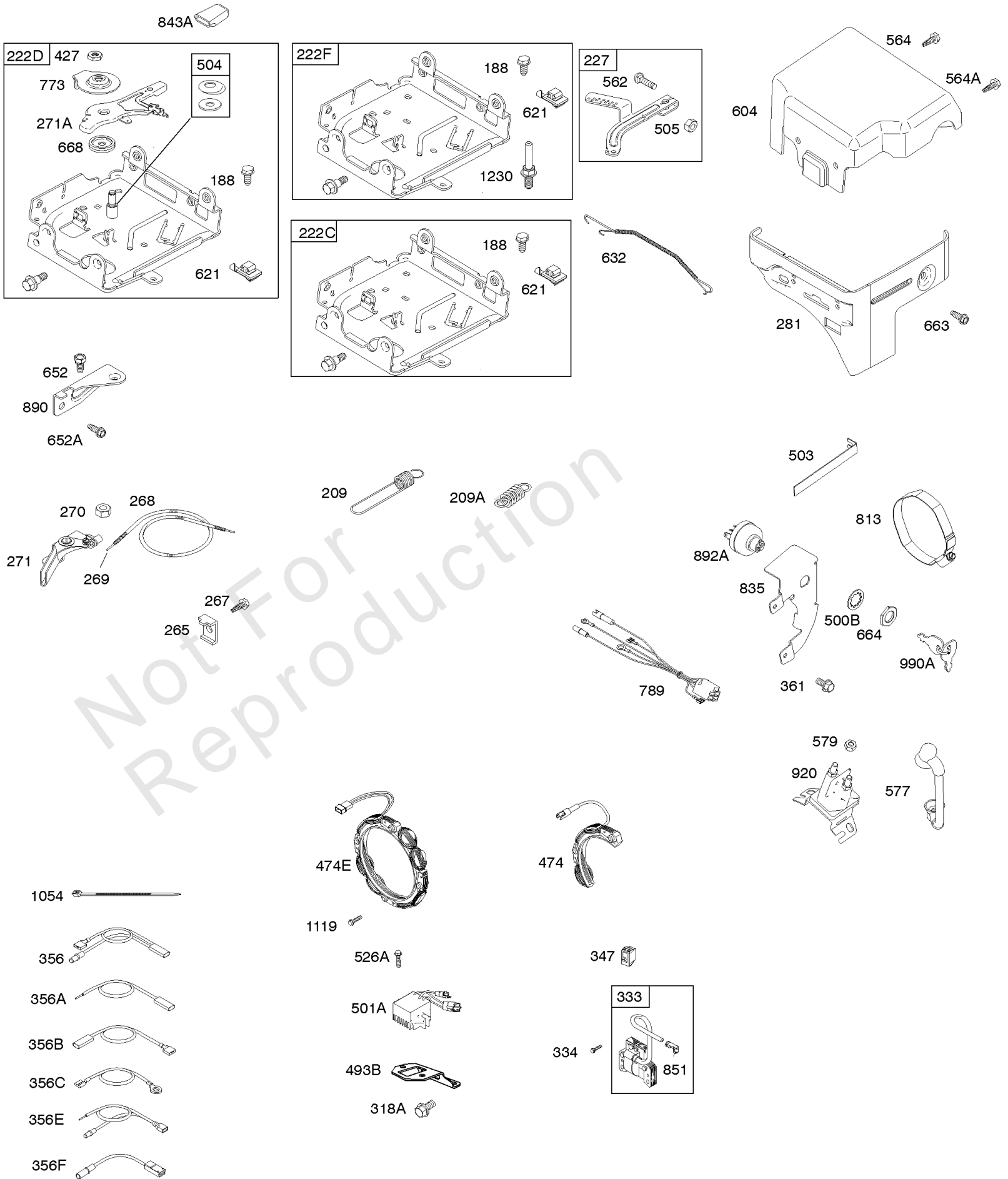
## Carburetor, Fuel Supply

REF NO	PART NO	QTY	DESCRIPTION
187C	791866		LINE, Fuel -(Molded)
187D	795046		LINE, Fuel -(Molded)
190	699220		SCREW -(Fuel Tank)
190B	795047		SCREW -(Fuel Tank)
240	394358S		FILTER, Fuel -(White, 75 Microns)
240	298090S		FILTER, Fuel -(Red, 150 Microns)
276	271716		WASHER, Sealing
276C	797632		WASHER, Sealing
365	699484		SCREW -(Carburetor)
601	791850		CLAMP, Hose
601B	795230		CLAMP, Hose
633	693867		SEAL, Choke/Throttle Shaft
633A	691321		SEAL, Choke/Throttle Shaft -(Throttle Shaft)
633B	797629		SEAL, Choke/Throttle Shaft
692	690572		SPRING, Detent -(Choke)
692B	797624		SPRING, Detent
703	795222		CLIP
804	795223		CANISTER, Carbon -(EVAP)
825	795226		HOSE, Air
957A	799719		CAP, Fuel Tank
957C	795221		CAP, Fuel Tank
958	698180		VALVE, Fuel Shut Off
972	799863		TANK, Fuel
972A	795705		TANK, Fuel
975	796611		BOWL, Float
975C	797631		BOWL, Float
1068	795229		HOSE/CLAMP ASSEMBLY
1345	699887		FILTER, Filler Neck
1345A	792917		FILTER, Filler Neck
1425A	795227		HOSE, Purge Line



## Controls, Governor Spring, Ignition

REF NO	PART NO	QTY	DESCRIPTION
188	699479		SCREW -(Control Bracket)
209	693206		SPRING, Governor
222D	793107		BRACKET, Control
227	794367		LEVER, Governor Control
265	691024		CLAMP, Casing
267	699492		SCREW -(Casing Clamp)
268	691025		CASING, Control Wire -(Cut To Required Length)
269	691026		WIRE, Control -(Cut To Required Length)
270	691027		NUT -(Control Wire Casing)
271	691028		LEVER, Control
271A	694256		LEVER, Control
281	793122		PANEL, Control
318A	795026		SCREW -(Mounting Bracket)
333	796964		ARMATURE, Magneto
334	699477		SCREW -(Magneto Armature)
347	697854		SWITCH, Rocker
356	693651		WIRE, Stop
356A	692390		WIRE, Stop
356C	695630		WIRE, Stop
356E	695814		WIRE, Stop
356F	697397		WIRE, Stop
356B	692602		WIRE, Stop
361	691693		SCREW -(Starting Switch)
427	694255		NUT -(Control Bracket)
427	798458		NUT -(Control Bracket) (Metric)
493B	699048		BRACKET, Mounting
500B	691086		WASHER -(Key Switch)
501A	790325		REGULATOR
503	691532		STRAP, Starter
504	695383		SET, Friction Washer
505	691251		NUT -(Governor Control Lever)
526A	690326		SCREW -(Regulator)
562	691119		BOLT -(Governor Control Lever)
564	699491		SCREW -(Control Cover)
564A	699206		SCREW -(Control Cover)
577	690795		CABLE, Starter
579	691029		NUT -(Starter Cable)
604	697326		COVER, Control
621	692310		SWITCH, Stop

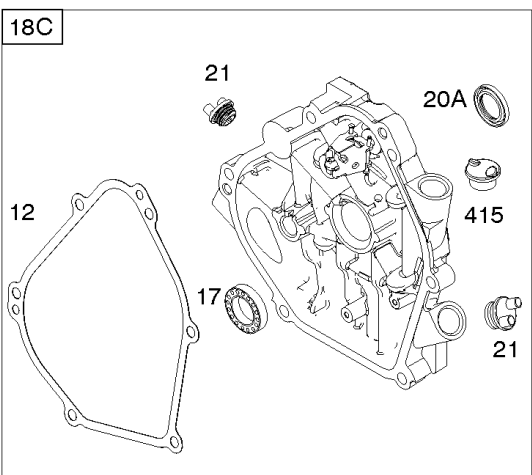
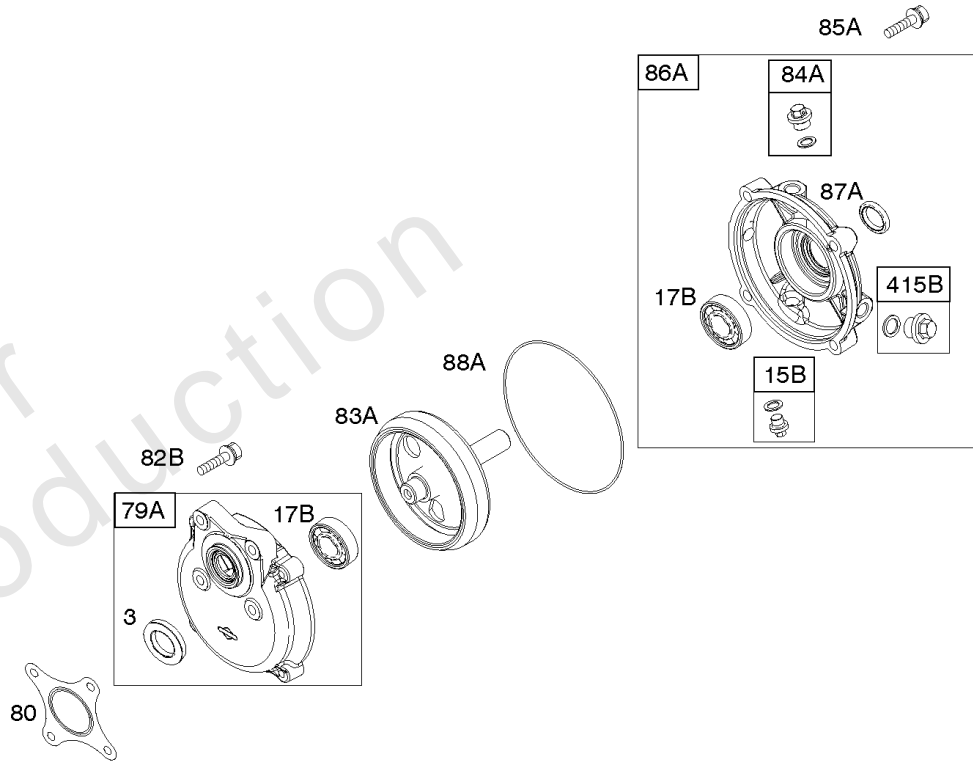
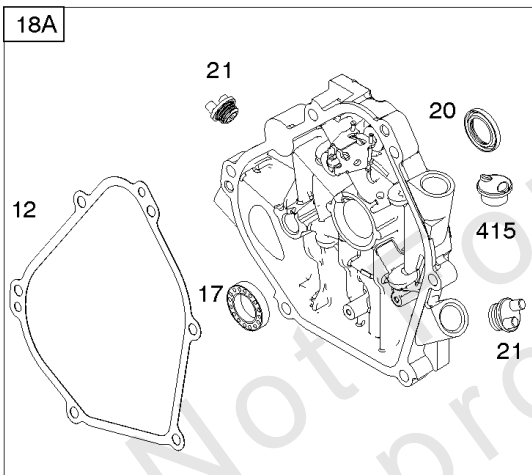
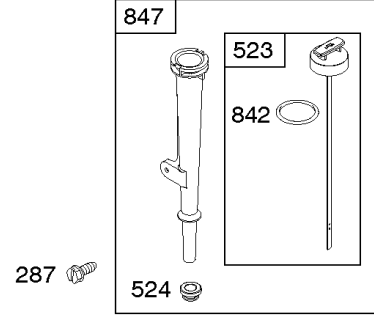
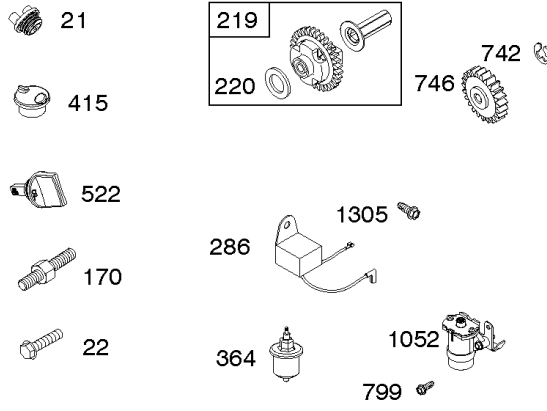
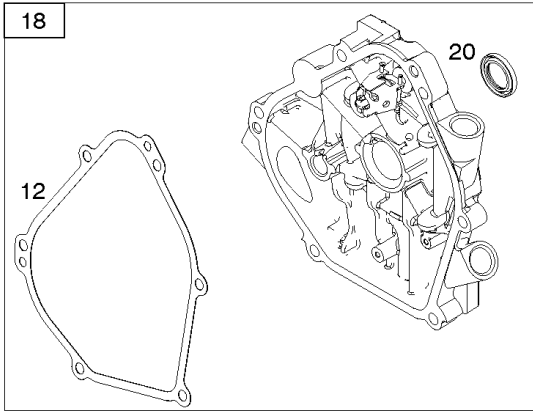


## ***Controls, Governor Spring, Ignition***

<b>REF NO</b>	<b>PART NO</b>	<b>QTY</b>	<b>DESCRIPTION</b>
632	693408		SPRING/LINK, Mechanical Governor
652	699755		SCREW -(Support Bracket)
652A	699230		SCREW -(Support Bracket)
663	699206		SCREW -(Control Panel)
664	691087		NUT -(Key Switch)
668	694257		SPACER
773	694258		RETAINER -(Control Bracket)
789	797457		HARNESS, Wiring
813	690635		CLAMP
835	797458		BRACKET, Wire Harness
843A	695588		SLEEVE, Lever
851	493880S		TERMINAL, Spark Plug
890	790203		BRACKET, Support
892A	692318		SWITCH, Key
920	691656		SOLENOID, Starter
990A	691959		SET, Key
1054	280275		TIE, Cable
1119	699772		SCREW -(Alternator)
1230	699847		STUD -(Control Bracket)

# Crankcase Cover, Gear Reduction, Lubrication

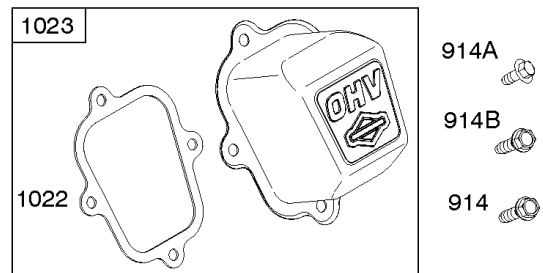
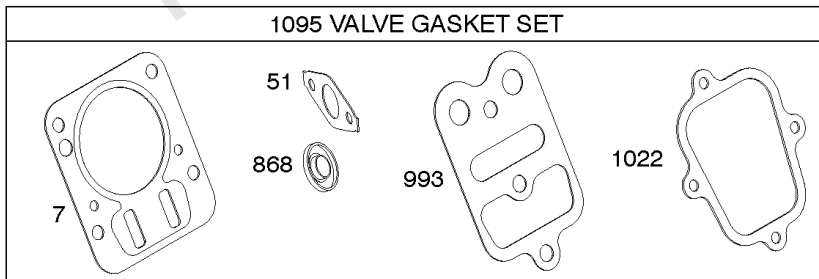
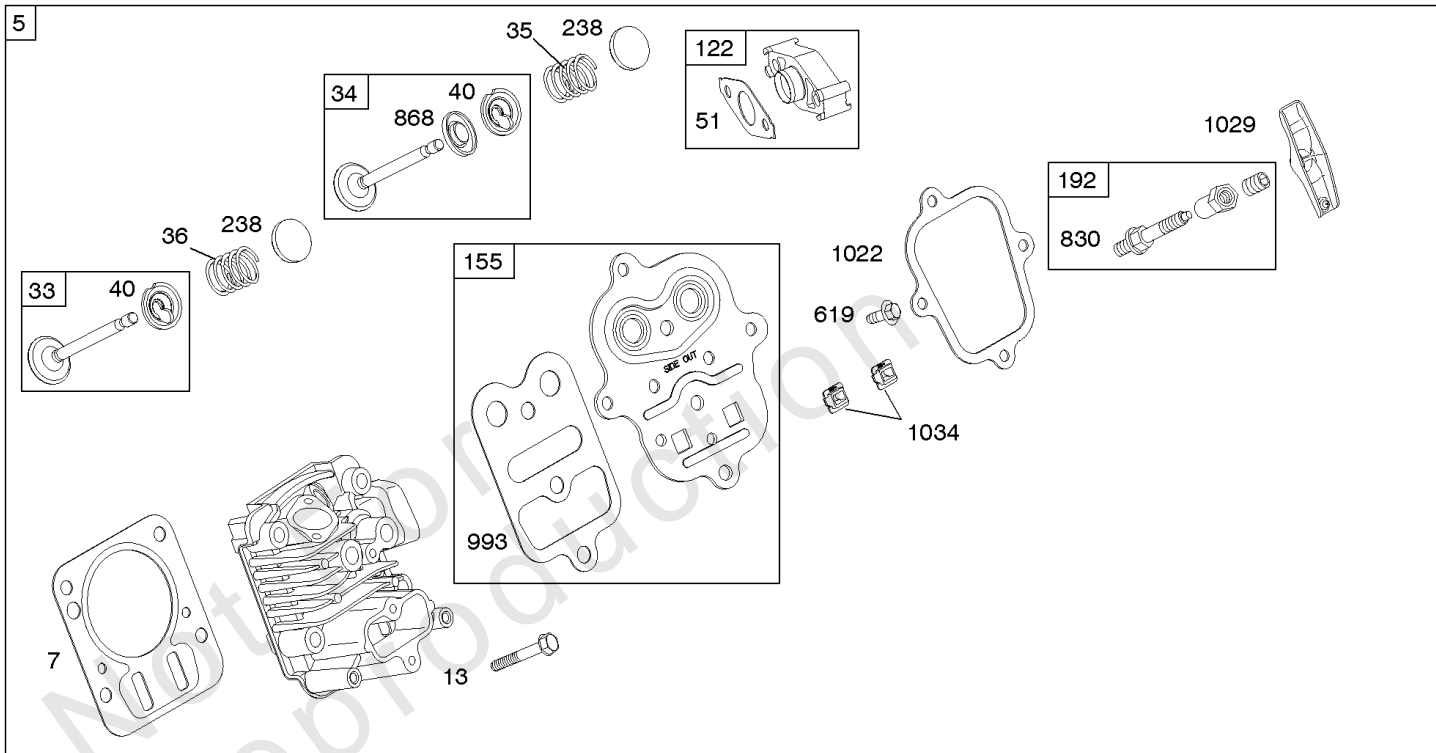
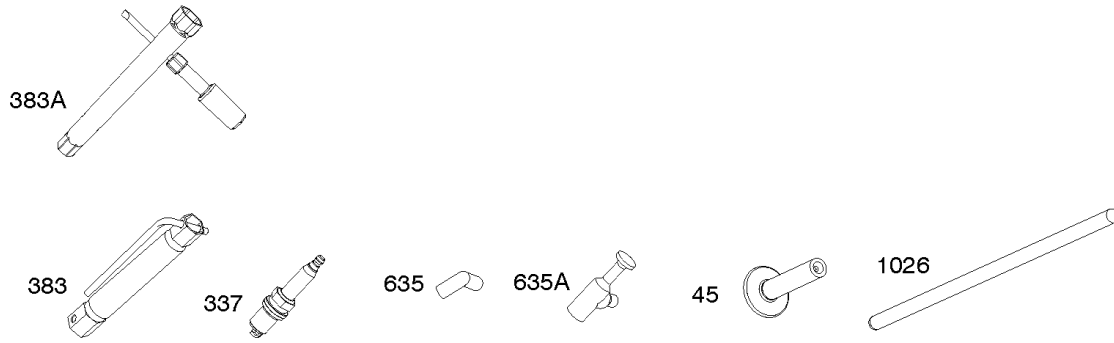
Mfg. No: 12S492-0070-F8





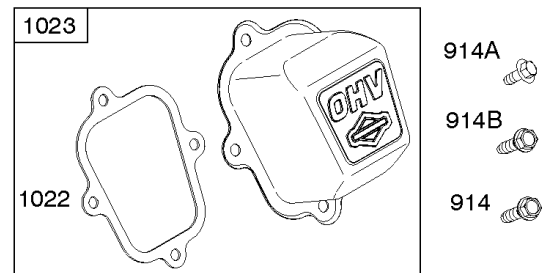
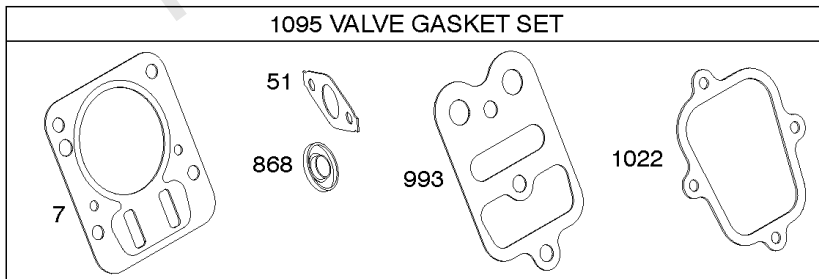
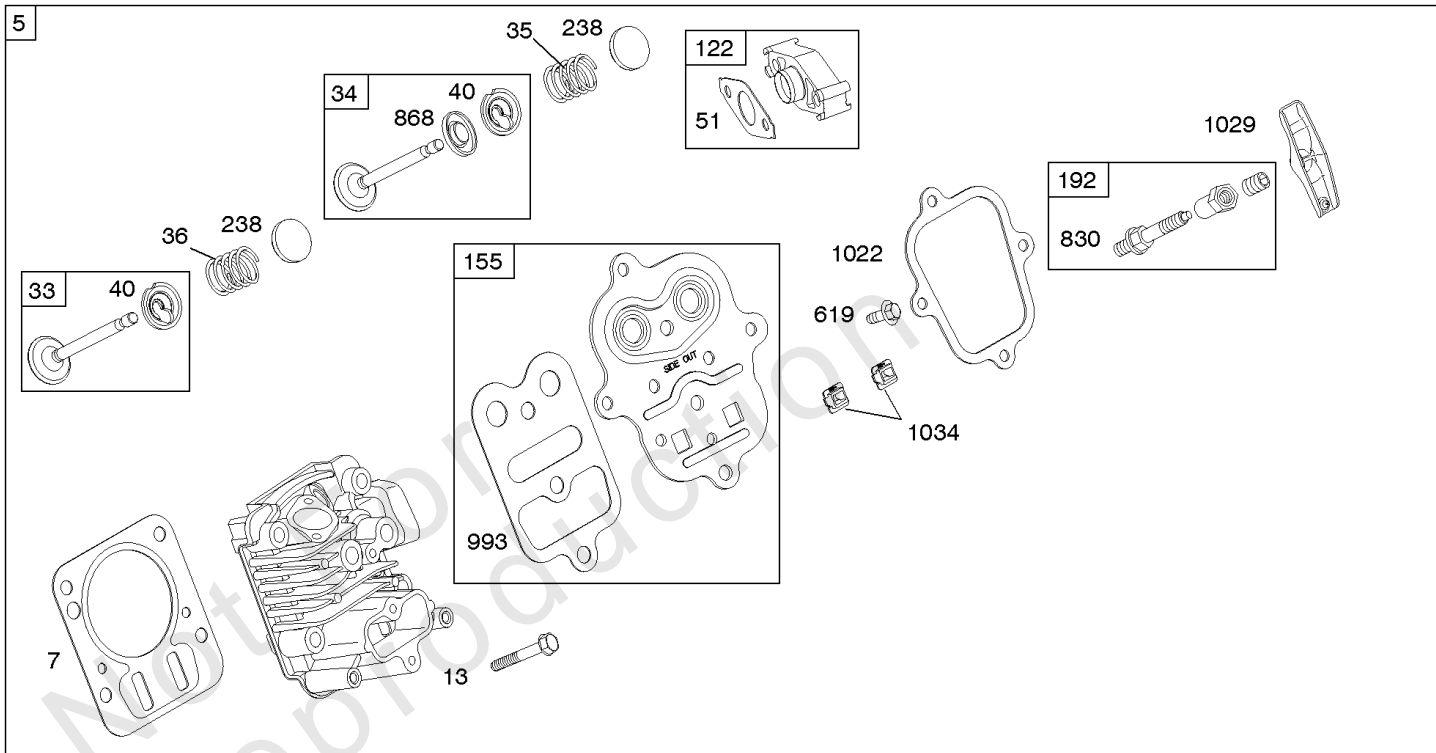
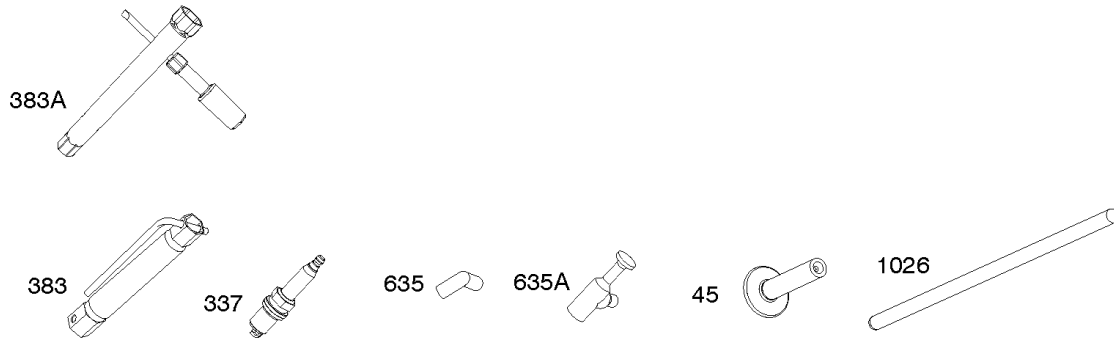
## ***Crankcase Cover, Gear Reduction, Lubrication***

<b>REF NO</b>	<b>PART NO</b>	<b>QTY</b>	<b>DESCRIPTION</b>
3	299819S		SEAL, Oil -(Magneto Side)
12	699485		GASKET, Crankcase
15B	792750		PLUG, Oil Drain
17	798538		BEARING, Ball -(PTO Side)
17B	99158		BEARING, Ball
18C	699677		COVER, Crankcase
20	692550		SEAL, Oil -(PTO Side)
20A	691952		SEAL, Oil -(PTO Side)
21	281658S		CAP, Oil Fill
22	799318		SCREW -(Crankcase Cover/Sump)
79A	792746		CASE, Gear Reduction
80	792755		GASKET, Gear Case
82B	792753		SCREW -(Gear Reduction Case)
83A	792756		SHAFT, Auxiliary Drive
84A	792759		PLUG, Breather
85A	690711		SCREW -(Gear Cover)
86A	795647		COVER, Gear
87A	792752		SEAL, Gear Reduction
88A	792760		GASKET, Gear Cover/Housing
170	699818		STUD -(Crankcase Cover/Sump)
219	693578		GEAR, Governor
220	691724		WASHER -(Governor Gear)
286	794185		MODULE, Oil Sensor
287	699234		SCREW -(Dipstick Tube)
364	695693		TERMINAL, Oil Plug
415	693463		PLUG
415B	792749		PLUG
522	697689		PLUG, Dipstick/Fill
523	693618		DIPSTICK
524	281370S		SEAL, O-Ring -(Dipstick Tube)
742	692564		RETAINER, E Ring
746	790278		GEAR, Idler
799	699202		SCREW -(Oil Sensor)
842	691031		SEAL, O-Ring -(Dipstick Tube)
847	693617		DIPSTICK/TUBE ASSEMBLY
1052	790141		SENSOR, Oil
1305	699691		SCREW -(Oil Sensor Module)



## Cylinder Head

REF NO	PART NO	QTY	DESCRIPTION
5	797439		HEAD, Cylinder -(Metric)
7	698210		GASKET, Cylinder Head
13	699482		SCREW -(Cylinder Head)
33	499642		VALVE, Exhaust
34	795443		VALVE, Intake
35	691304		SPRING, Valve -(Intake)
36	691304		SPRING, Valve -(Exhaust)
40	692194		RETAINER, Valve
45	690977		TAPPET, Valve
51	692555		GASKET, Intake -(2 Required)
122	795643		SPACER, Carburetor
155	698214		PLATE, Cylinder Head -(SAE) -Used Before Code Date 09061800
155	797442		PLATE, Cylinder Head -(Metric) -Used After Code Date 09061700
192	694543		ADJUSTER. Rocker Arm -(SAE) -Used Before Code Date 09061800
192	797440		ADJUSTER. Rocker Arm -(Metric) -Used After Code Date 09061700
238	691300		CAP, Valve
337	491055S		PLUG, Spark -(Resistor)
337	691043		PLUG, Spark -(EMS)
383	19576S		WRENCH, Spark Plug
383A	590721		WRENCH, Spark Plug
619	699481		SCREW -(Cylinder Head Plate)
635	692076		BOOT, Spark Plug
635A	798619		BOOT, Spark Plug
830	797441		STUD, Rocker Arm -(Rocker Arm) (Metric) -Used After Code Date 09061700
830	694544		STUD, Rocker Arm -(Rocker Arm) (SAE) -Used Before Code Date 09061800
868	795440		SEAL, Valve
914	699481		SCREW -(Rocker Cover) (Bottom)
914A	692557		SCREW -(Rocker Cover) (Top) -Used Before Code Date 09061800
914A	797444		SCREW -(Rocker Cover) (Quantity 1 Top Or Center) -Used After Code Date 09061700
914B	697551		SCREW -(Rocker Cover) (Center) -Used Before Code Date 09061800
993	694088		GASKET, Cylinder Head Plate
1022	691890		GASKET, Rocker Cover



## Cylinder Head

REF NO	PART NO	QTY	DESCRIPTION
1023	791585		COVER, Rocker
1026	790287		ROD, Push
1029	797443		ARM, Rocker -(Metric) -Used After Code Date 09061700
1029	691230		ARM, Rocker -(SAE) -Used Before Code Date 09061800
1034	691343		GUIDE, Push Rod
1095	791798		GASKET SET, Valve

Not For Reproduction

## Replacement Engine - US & Canada

REF NO	PART NO	QTY	DESCRIPTION
	699586	1	Replacement Short Block
	12S4920070	1	Replacement Engine
	-----		Top No-Load Speed: 3800 -Trim: ALL
	-----		Service Note: For all Go-Karts use only a Model 136200 series engine as a replacement, regardless of the original Model.

Not For Reproduction

