



# Parts Manual

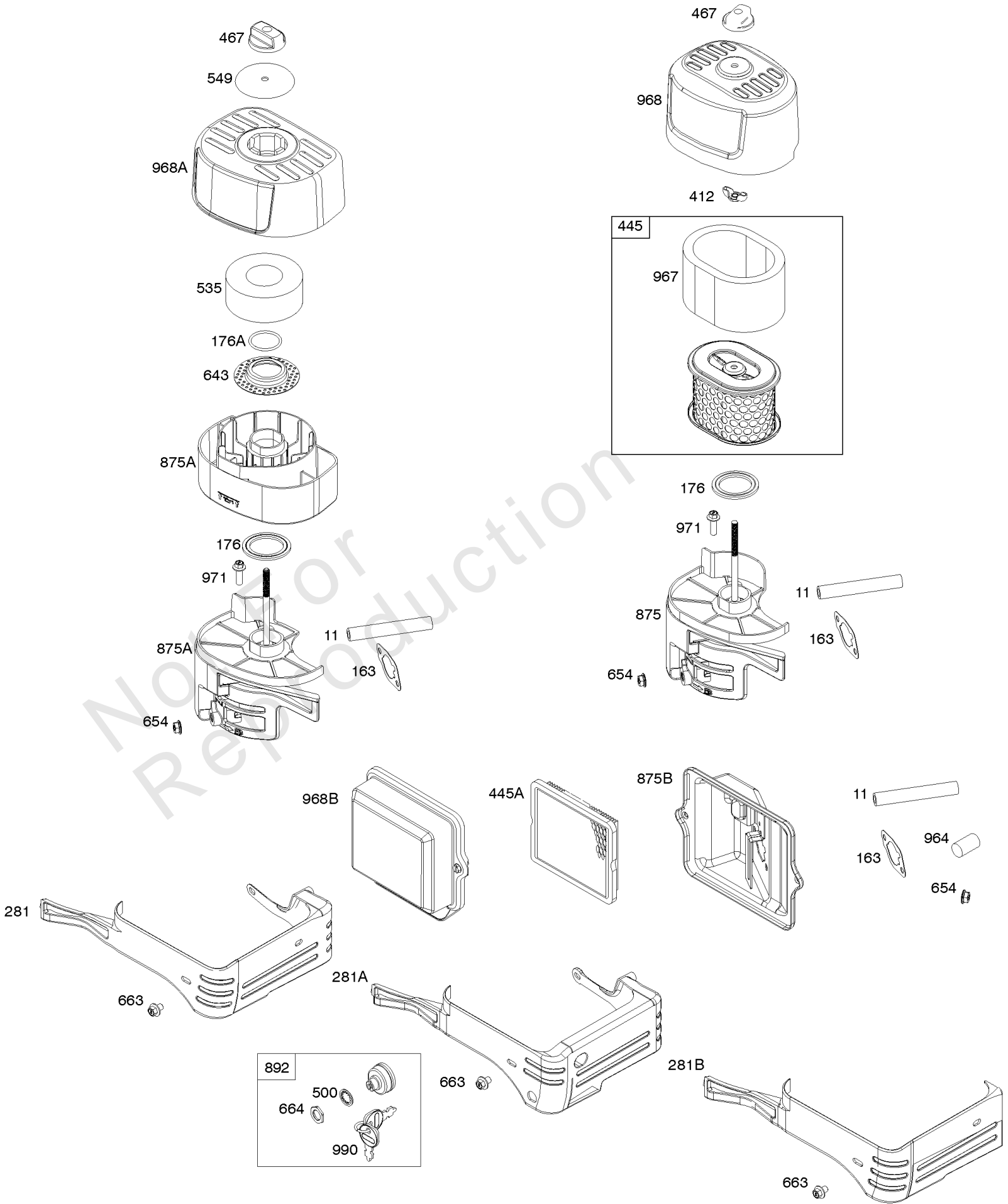
Mfg. No: 130G52-0182-F1



---

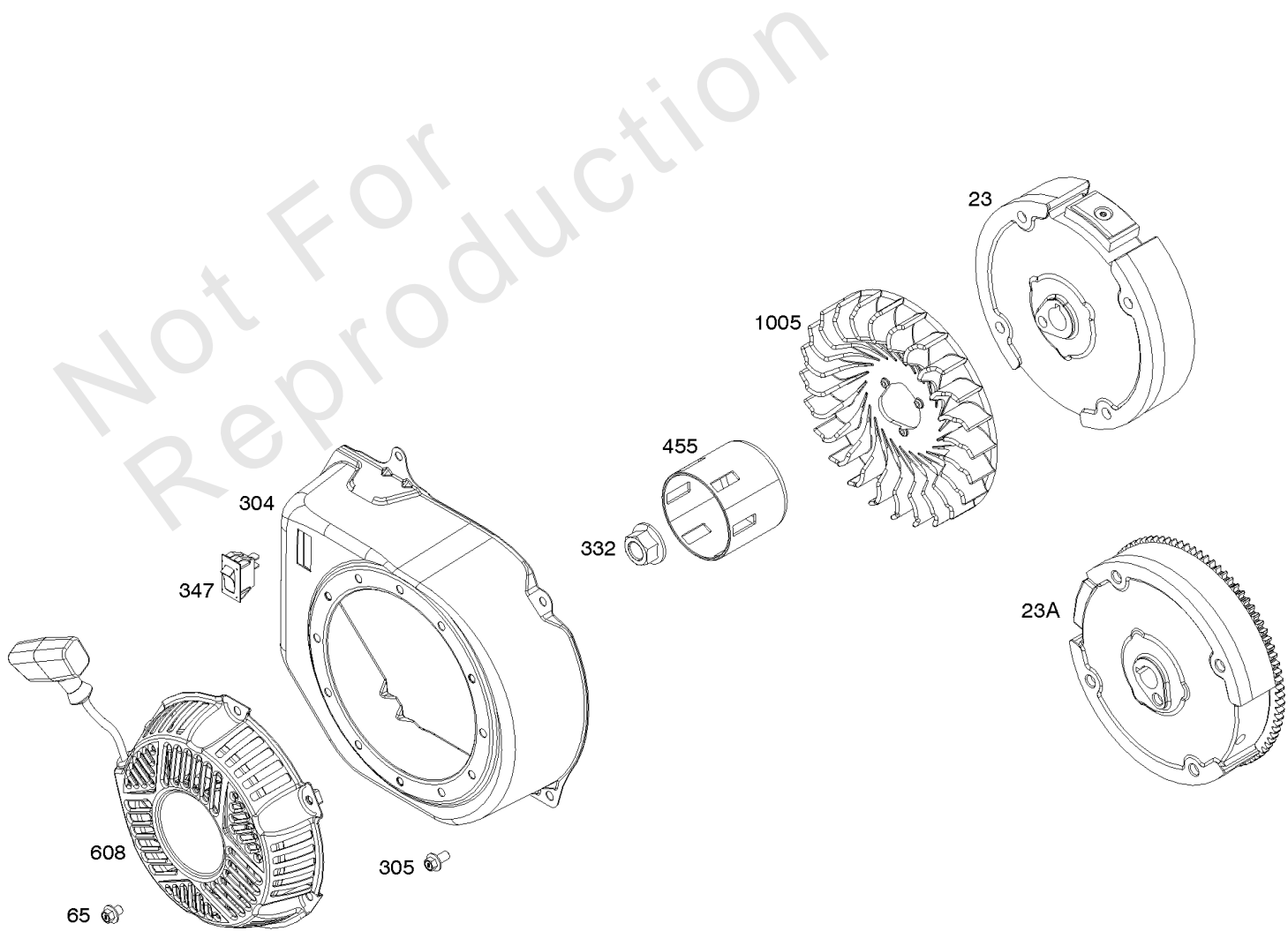
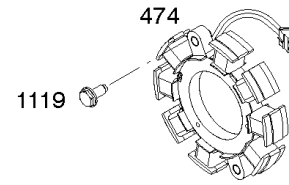
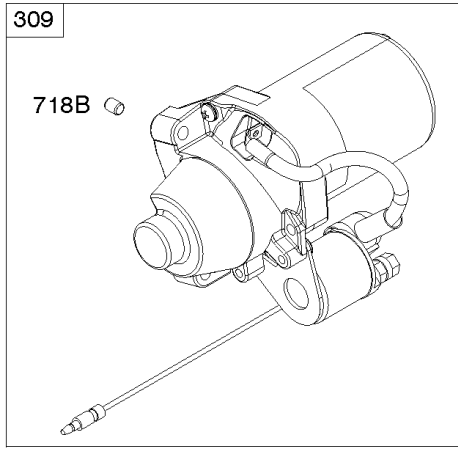
<b>Model Components</b>	<b>Page</b>
Air Cleaner, Control Panel. ....	4
Alternator, Blower Housing, Electric Starter, Flywheel, Rewind Starter. ....	6
Armature, Spark Plug, Controls, Electrical System, Governor Spring. ....	8
Camshaft, Crankcase Cover, Crankshaft, Cylinder, Piston/Rings/Connecting Rod, Warning Label. ....	10
Carburetor. ....	14
Cylinder Head, Gasket Set. ....	16
Exhaust System, Fuel Supply. ....	18
Gear Reduction. ....	20
Replacement Engine - US & Canada. ....	22

Not For  
Reproduction



## Air Cleaner, Control Panel

REF NO	PART NO	QTY	DESCRIPTION
11	590698		TUBE, Breather
163	590605		GASKET, Air Cleaner
176	590695		SEAL, O-Ring -(Air Cleaner Base)
176A	793441		SEAL, O-Ring -(Air Cleaner Base)
281	592863		PANEL, Control
281A	595427		PANEL, Control
281B	596720		PANEL, Control
412	590697		NUT -(Air Cleaner Cover)
445	590601		FILTER, A/C Cartridge
445A	595030		FILTER, A/C Cartridge -(Flat Panel Air Cleaner)
467	691985		KNOB, Air Cleaner Cover
500	691086		WASHER -(Key Switch)
535	792472		FILTER, Air Cleaner Foam
549	593365		WASHER -(Air Cleaner)
643	593363		RETAINER, Air Filter
654	590692		NUT -(Carburetor)
663	590850		SCREW -(Control Panel)
664	691087		NUT -(Key Switch)
875	590693		BASE, Air Cleaner
892	595428		SWITCH, Key
964	799159		CAP, Connector
967	590602		FILTER, Pre Cleaner
968	590694		COVER, Air Cleaner
968A	593364		COVER, Air Cleaner
968B	791082		COVER, Air Cleaner -(Flat Panel Air Cleaner)
971	590643		SCREW -(Air Cleaner Base to Carburetor/Throttle Body)
990	691959		SET, Key

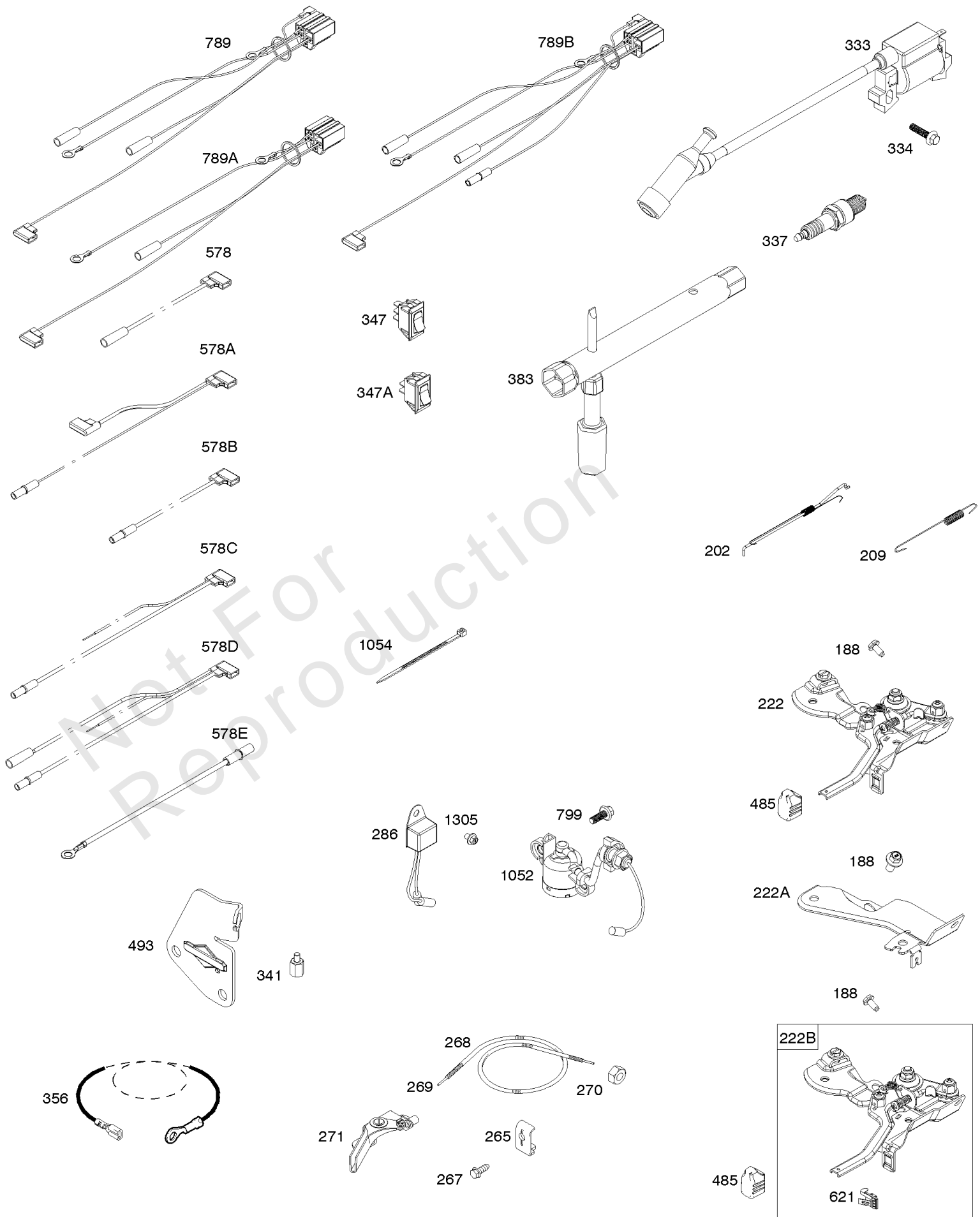


## ***Alternator, Blower Housing, Electric Starter, Flywheel, Rewind Starter***

<b>REF NO</b>	<b>PART NO</b>	<b>QTY</b>	<b>DESCRIPTION</b>
23A	591534		FLYWHEEL
65	590683		SCREW -(Rewind Starter)
304	590724		HOUSING, Blower
305	590850		SCREW -(Blower Housing)
309	595424		MOTOR, Starter
332	590635		NUT -(Flywheel)
347	697854		SWITCH, Rocker
455	590682		CUP, Flywheel
474	595425		ALTERNATOR -(3 Amp. DC)
608	590607		STARTER, Rewind
697	591476		SCREW -(Starter Motor) (Drive Cap)
718B	591466		PIN, Locating -(Starter Motor)
1005	590679		FAN, Flywheel
1119	590644		SCREW -(Alternator)

# Armature, Spark Plug, Controls, Electrical System, Governor Spring

Mfg. No: 130G52-0182-F1





## Armature, Spark Plug, Controls, Electrical System, Governor Spring

REF NO	PART NO	QTY	DESCRIPTION
188	590850		SCREW -(Control Bracket)
202	592866		LINK, Mechanical Governor
209	590625		SPRING, Governor -(Blue)
222	592413		BRACKET, Control
265	691024		CLAMP, Casing
267	699492		SCREW -(Casing Clamp)
268	691025		CASING, Control Wire -(Cut To Required Length)
269	691026		WIRE, Control -(Cut To Required Length)
270	691027		NUT -(Control Wire Casing)
271	691028		LEVER, Control
286	590702		MODULE, Oil Sensor
333	590603		ARMATURE, Magneto
334	590644		SCREW -(Magneto Armature)
337	491055S		PLUG, Spark -(Resistor)
341	593448		STUD -(Mounting Bracket)
347	697854		SWITCH, Rocker
356	695630		WIRE, Stop
383	590721		WRENCH, Spark Plug
485	797339		KNOB, Control
493	593449		BRACKET, Mounting
578	590690		WIRE ASSEMBLY
578A	590689		WIRE ASSEMBLY
621	692310		SWITCH, Stop
799	590703		SCREW -(Oil Sensor)
1052	590671		SENSOR, Oil
1054	280275		TIE, Cable
1305	590683		SCREW -(Oil Sensor Module)

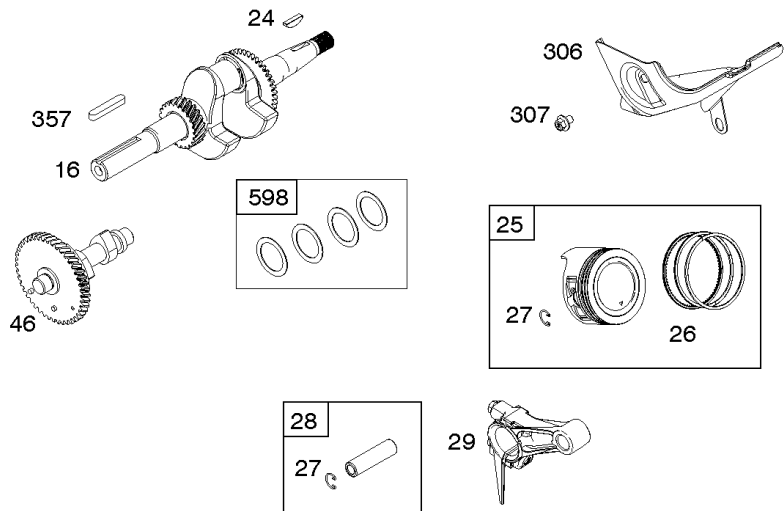
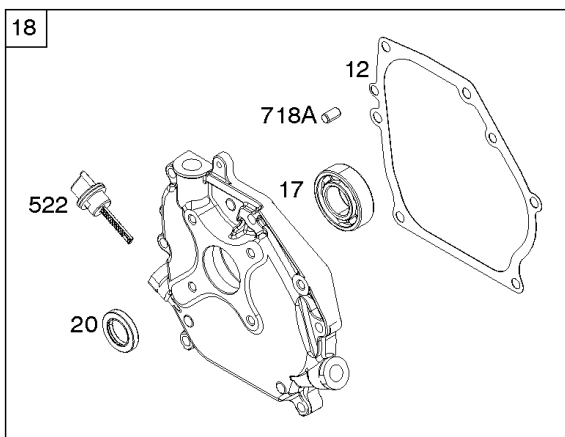
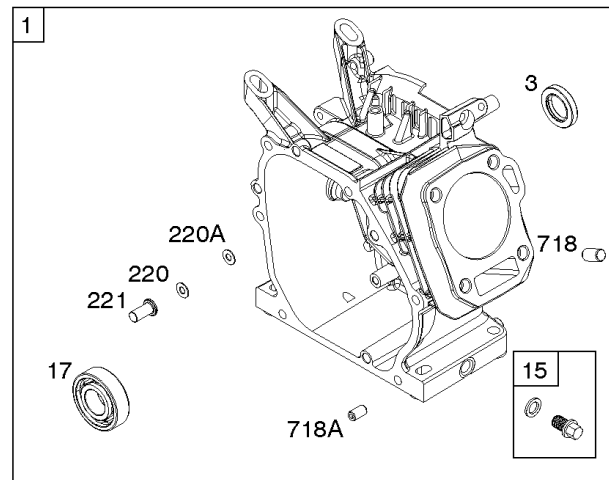
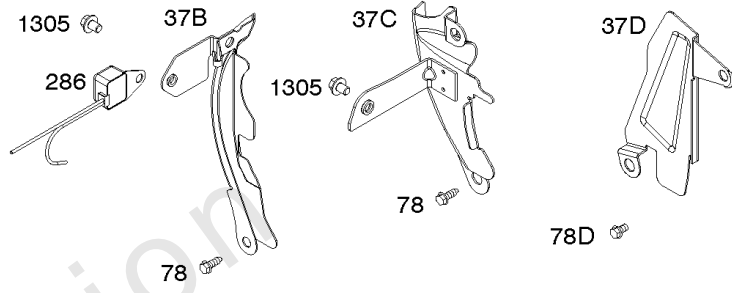
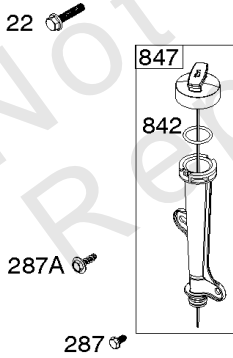
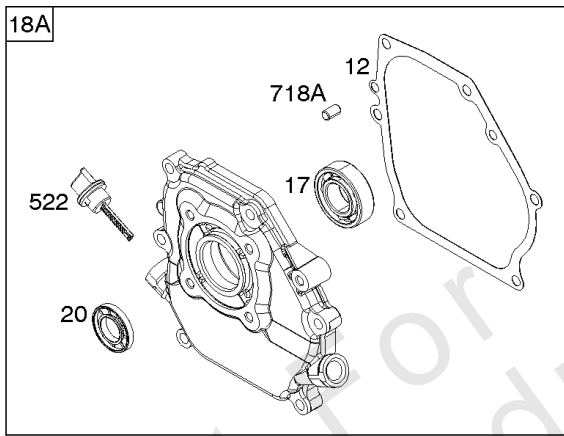
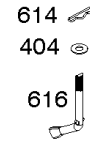
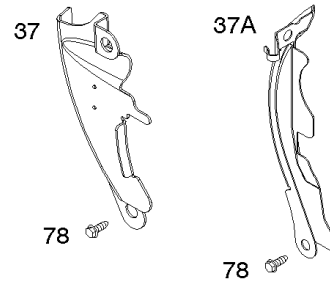
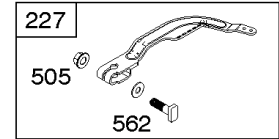
1319 WARNING LABEL

**REQUIRED** when replacing parts with warning labels affixed.

1319A WARNING LABEL

**REQUIRED** when replacing parts with warning labels affixed.

1036 EMISSIONS LABEL



## Camshaft, Crankcase Cover, Crankshaft, Cylinder, Piston/Rings/Connecting Rod, Warning

REF NO	PART NO	QTY	DESCRIPTION
1	592925		CYLINDER ASSEMBLY
3	590712		SEAL, Oil -(Magneto Side)
12	590608		GASKET, Crankcase
15	590678		PLUG, Oil Drain
16	595439		CRANKSHAFT
17	590715		BEARING, Ball
18A	590717		COVER, Crankcase
20	590712		SEAL, Oil -(PTO Side)
22	590714		SCREW -(Crankcase Cover/Sump)
24	797286		KEY, Flywheel
25	592955		PISTON ASSEMBLY -(Standard)
25	592956		PISTON ASSEMBLY -(.020" Oversize)
26	592958		SET, Ring -(.020" Oversize)
26	592957		SET, Ring -(Standard)
27	590664		LOCK, Piston Pin
28	590663		PIN, Piston
29	590665		ROD, Connecting
37	591453		GUARD, Flywheel
37A	592865		GUARD, Flywheel
37C	595423		GUARD, Flywheel
37B	595436		GUARD, Flywheel
37D	596201		GUARD, Flywheel
46	593289		CAMSHAFT
78	590643		SCREW -(Flywheel Guard)
220	590677		WASHER -(Governor Gear) (.020" Thick)
220A	590675		WASHER -(Governor Gear) (.040" Thick)
221	590676		CUP, Governor
227	590660		LEVER, Governor Control
286	590702		MODULE, Oil Sensor
287	590850		SCREW -(Dipstick Tube)
287A	790557		SCREW -(Dipstick Tube)
306	590636		SHIELD, Cylinder
307	590683		SCREW -(Cylinder Shield)
357	590719		KEY, Drive Pulley
404	590669		WASHER -(Governor Crank)
505	590641		NUT -(Governor Control Lever)
522	590716		PLUG, Dipstick/Fill
562	590640		BOLT -(Governor Control Lever)
598	594475		SHIM, End Play -(Crankshaft or Camshaft Bearing) (Pump Applications Only)

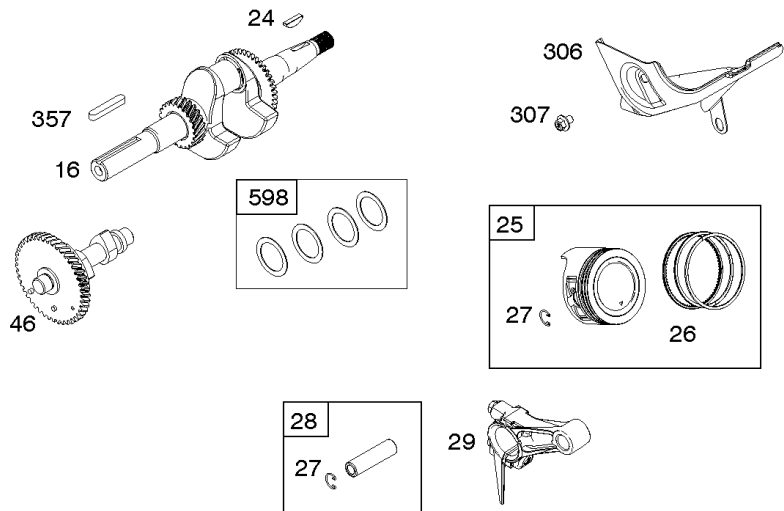
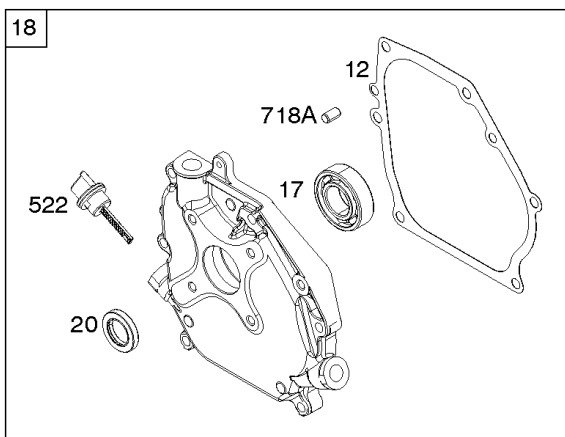
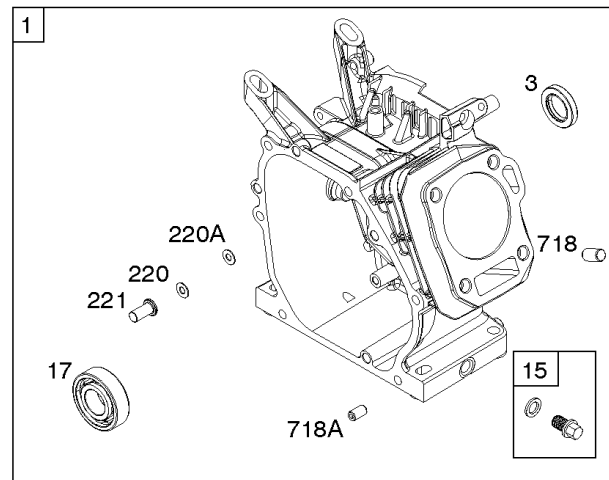
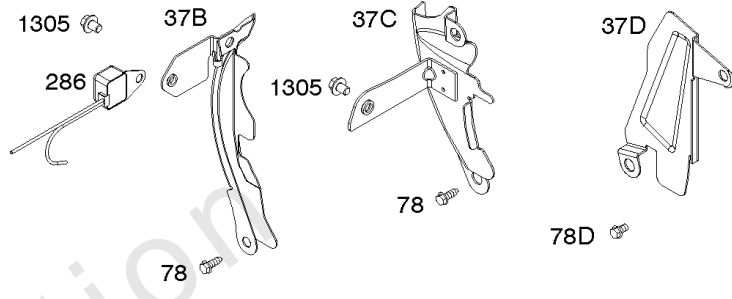
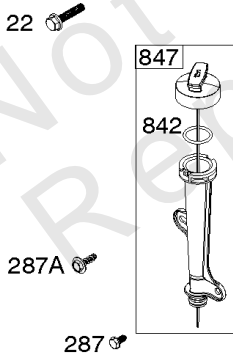
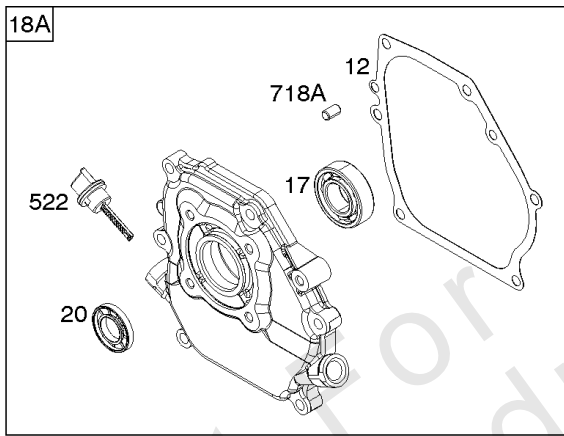
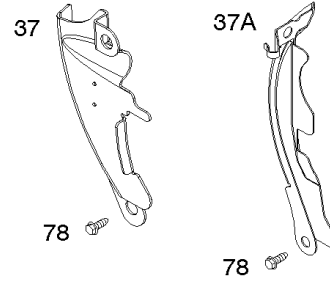
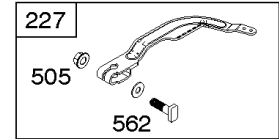
1319 WARNING LABEL

**REQUIRED** when replacing parts with warning labels affixed.

1319A WARNING LABEL

**REQUIRED** when replacing parts with warning labels affixed.

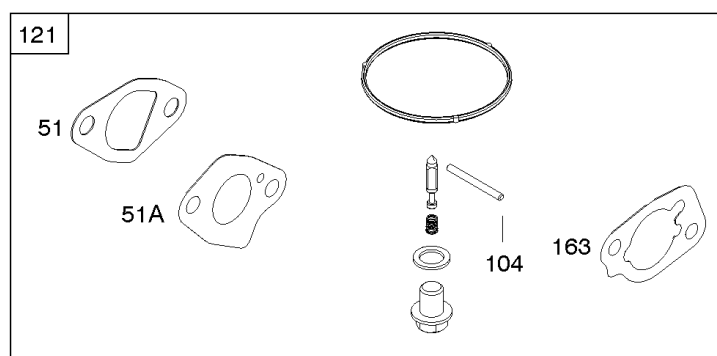
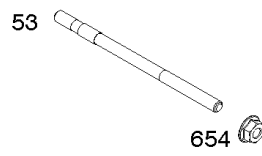
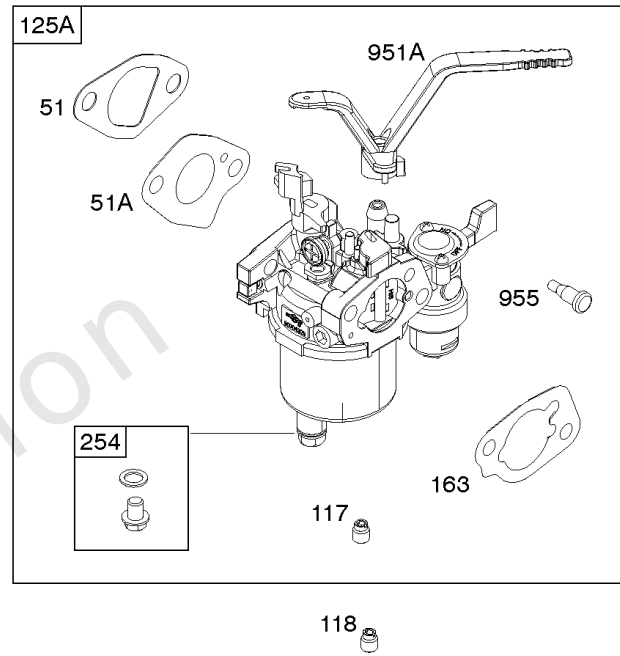
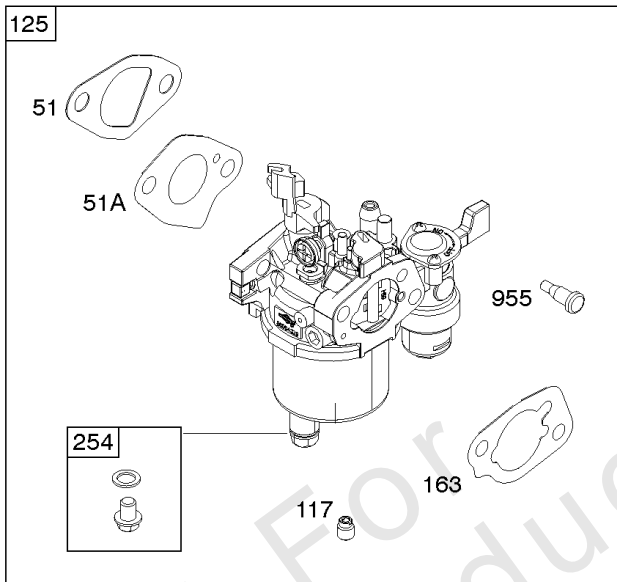
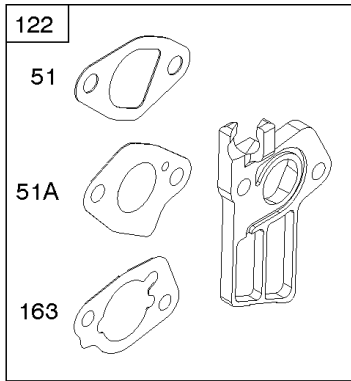
1036 EMISSIONS LABEL



## ***Camshaft, Crankcase Cover, Crankshaft, Cylinder, Piston/Rings/Connecting Rod, Warning***

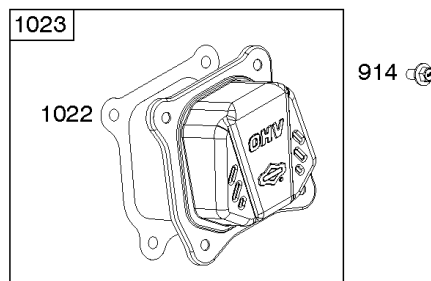
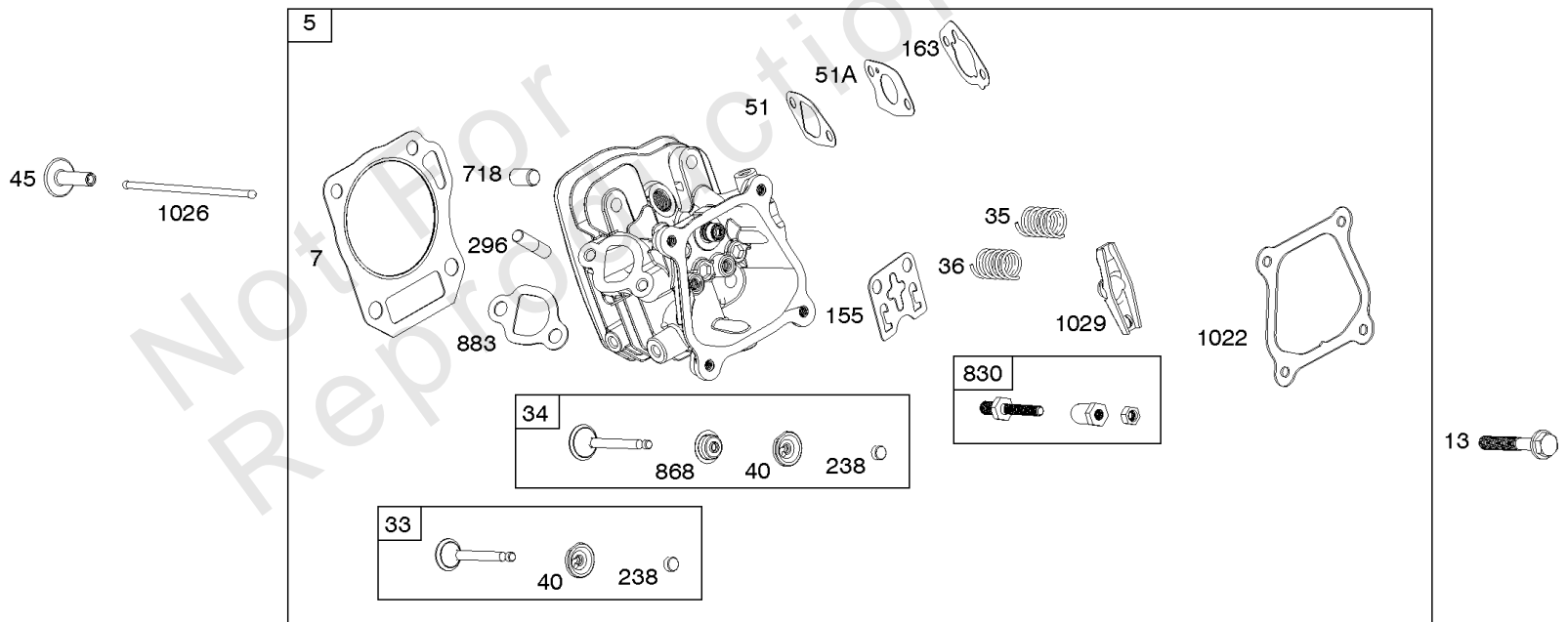
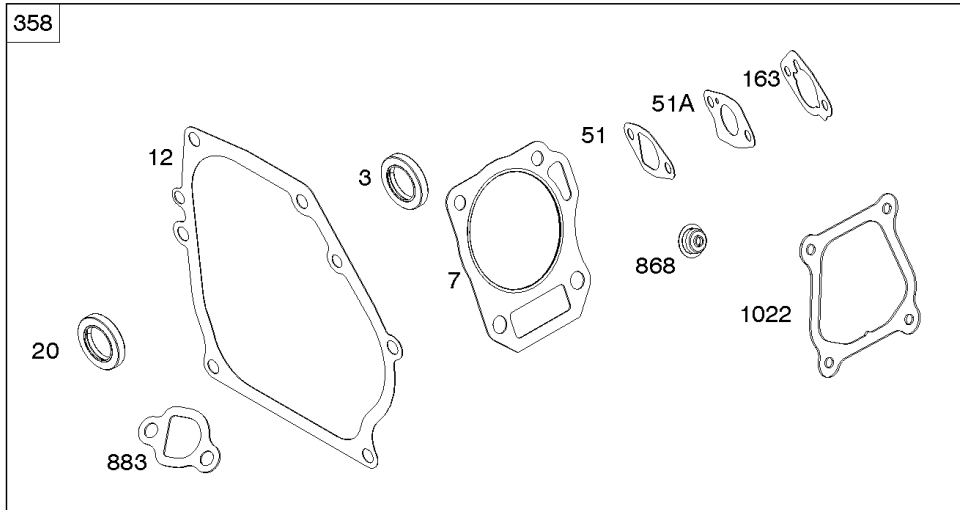
<b>REF NO</b>	<b>PART NO</b>	<b>QTY</b>	<b>DESCRIPTION</b>
614	590670		PIN, Cotter
616	590668		CRANK, Governor
718	590637		PIN, Locating -(Cylinder Head)
718A	590713		PIN, Locating -(Crankcase Cover)
842	691031		SEAL, O-Ring -(Dipstick Tube)
847	591444		DIPSTICK/TUBE ASSEMBLY
1036	-----		Label-Emissions -(Available From A Briggs & Stratton Authorized Dealer)
1305	590683		SCREW -(Oil Sensor Module)
1319	794467		LABEL, Warning
1319A	797669		LABEL, Warning

Not For Reproduction



## Carburetor

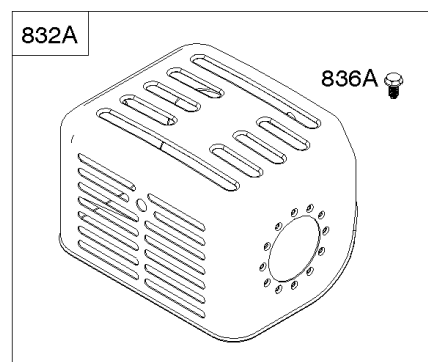
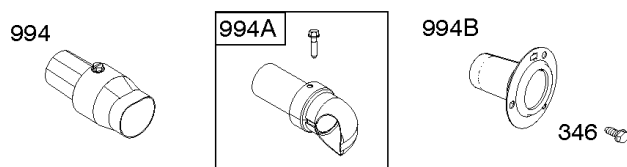
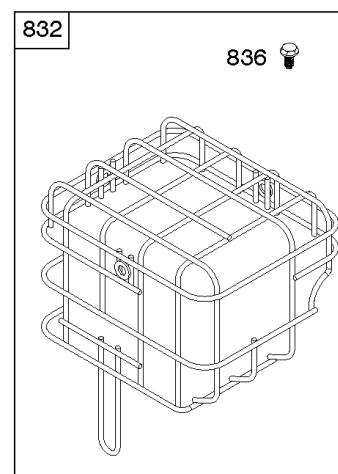
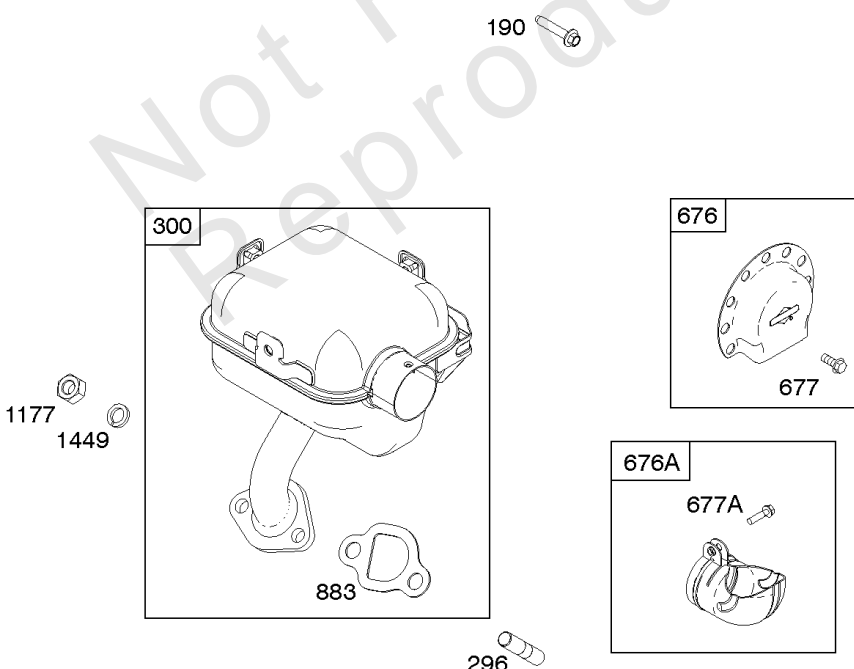
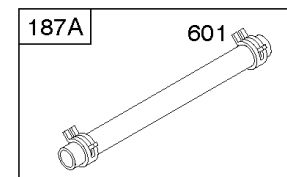
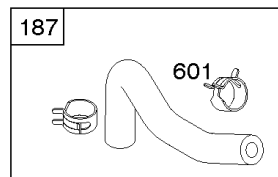
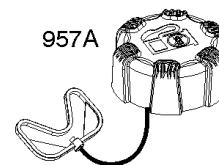
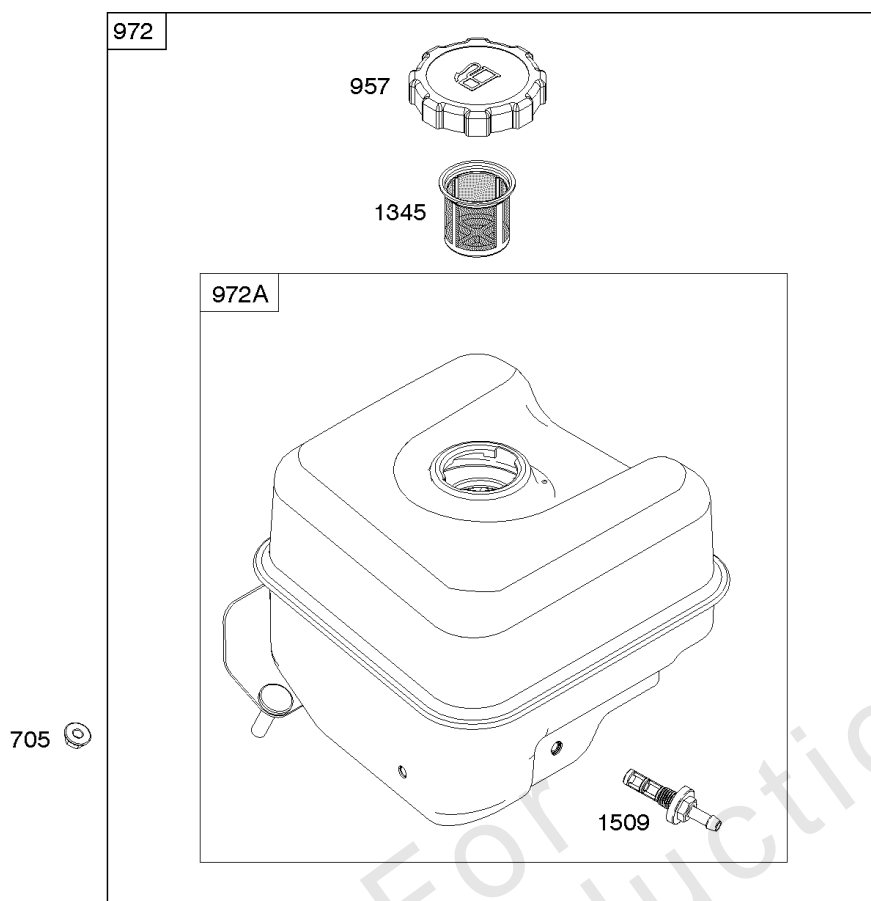
REF NO	PART NO	QTY	DESCRIPTION
51	590612		GASKET, Intake
51A	590613		GASKET, Intake
53	590691		STUD -(Carburetor)
104	592486		PIN, Float Hinge
117	591861		JET, Main -(Standard) -Used After Code Date 16111300
117	592875		JET, Main -(Standard) -Used Before Code Date 16111400
118	593359		JET, Main -(High Altitude) -Used Before Code Date 16111400
118	592875		JET, Main -(High Altitude) -Used After Code Date 16111300
121	591770		KIT, Carburetor Overhaul
122	590615		SPACER, Carburetor
125	596079		CARBURETOR
163	590605		GASKET, Air Cleaner
254	592493		DRAIN, Carburetor Bowl
654	590692		NUT -(Carburetor)
951	590614		LEVER, Choke
951A	596719		LEVER, Choke
955	595329		PLUG, Carburetor





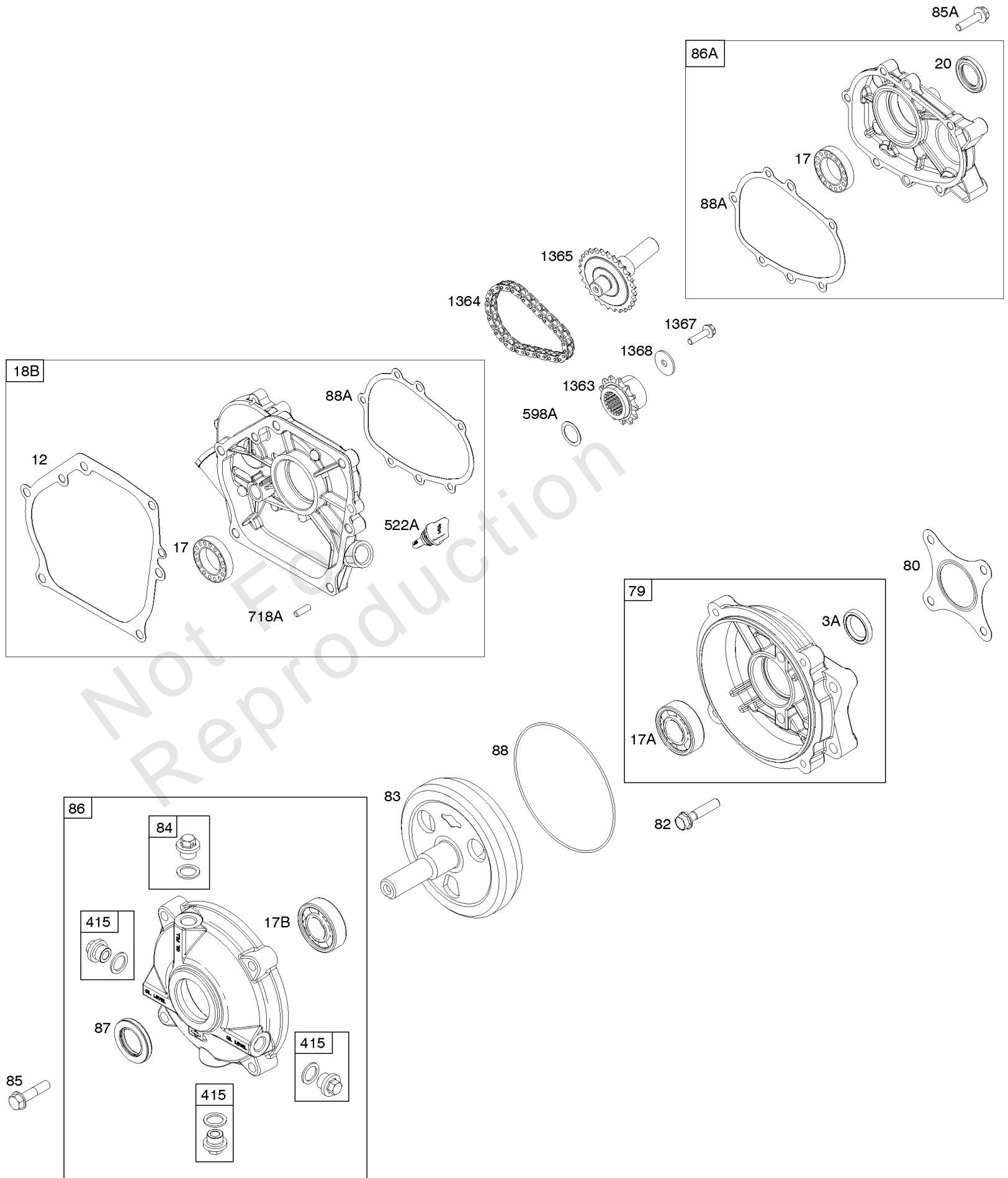
## Cylinder Head, Gasket Set

REF NO	PART NO	QTY	DESCRIPTION
3	590712		SEAL, Oil -(Magneto Side)
5	591454		HEAD, Cylinder
7	591445		GASKET, Cylinder Head
12	590608		GASKET, Crankcase
13	590639		SCREW -(Cylinder Head)
20	590712		SEAL, Oil -(PTO Side)
33	591448		VALVE, Exhaust
34	591447		VALVE, Intake
35	590650		SPRING, Valve -(Intake)
36	590650		SPRING, Valve -(Exhaust)
40	590654		RETAINER, Valve
45	591449		TAPPET, Valve
51	590612		GASKET, Intake
51A	590613		GASKET, Intake
155	592874		PLATE, Cylinder Head
163	590605		GASKET, Air Cleaner
238	590649		CAP, Valve
296	590631		STUD -(Muffler)
358	594951		GASKET SET, Engine
718	590637		PIN, Locating -(Cylinder Head)
830	590653		STUD, Rocker Arm
868	590648		SEAL, Valve -(Intake)
883	591156		GASKET, Exhaust
914	590850		SCREW -(Rocker Cover)
1022	797194		GASKET, Rocker Cover
1023	592903		COVER, Rocker
1026	590658		ROD, Push
1029	590651		ARM, Rocker



## Exhaust System, Fuel Supply

REF NO	PART NO	QTY	DESCRIPTION
187	592867		LINE, Fuel -(Formed Hose)
190	591476		SCREW -(Fuel Tank)
240	394358S		FILTER, Fuel
296	590631		STUD -(Muffler)
300	592861		MUFFLER
346	699203		SCREW -(Spark Arrestor)
601	791850		CLAMP, Hose
676	393760		DEFLECTOR, Muffler
676A	697816		DEFLECTOR, Muffler
677	699203		SCREW -(Muffler Deflector)
677A	699776		SCREW -(Muffler Deflector)
705	592620		NUT -(Fuel Tank)
832	592862		GUARD, Muffler
832A	592918		GUARD, Muffler
836	590850		SCREW -(Muffler Guard)
836A	590683		SCREW -(Muffler Guard)
883	591156		GASKET, Exhaust
957	794641		CAP, Fuel Tank
957A	799324		CAP, Fuel Tank
972	592877		TANK, Fuel
972A	592954		TANK, Fuel
994	790153		ARRESTOR, Spark
994A	593207		ARRESTOR, Spark
994B	793985		ARRESTOR, Spark
1177	590632		NUT -(Muffler)
1345	792917		FILTER, Filler Neck
1449	590633		WASHER -(Muffler)
1509	797346		OUTLET, Tank



## Gear Reduction

REF NO	PART NO	QTY	DESCRIPTION
3A	299819S		SEAL, Oil -(Magneto Side)
12	590608		GASKET, Crankcase
17	590715		BEARING, Ball
17A	99158		BEARING, Ball
17B	792745		BEARING, Ball
20	590712		SEAL, Oil -(PTO Side)
79	792746		CASE, Gear Reduction
80	792755		GASKET, Gear Case
82	792753		SCREW -(Gear Reduction Case)
83	792756		SHAFT, Auxiliary Drive
84	792759		PLUG, Breather
85	690711		SCREW -(Gear Cover)
85A	807421		SCREW -(Gear Cover)
86	792748		COVER, Gear
86A	595449		COVER, Gear
87	792752		SEAL, Gear Reduction
88	792760		GASKET, Gear Cover/Housing
88A	595445		GASKET, Gear Cover/Housing
415	596721		PLUG -(Gear Cover)
598A	595451		SHIM, End Play -(Crankshaft or Camshaft Bearing)
718A	590713		PIN, Locating -(Crankcase Cover)
1363	595446		SPROCKET, Gear Reduction
1364	595447		CHAIN, Gear Reduction
1365	595448		SHAFT, Output Gear Reduction
1367	596202		SCREW -(Gear Reduction Sprocket)
1368	595450		WASHER -(Gear Reduction Sprocket)

## Replacement Engine - US & Canada

---

REF NO	PART NO	QTY	DESCRIPTION
	130G520182	1	Replacement Engine
	-----		Top No-Load Speed: 3300 -Trim: F1

---

Not For Reproduction

