



Parts Manual

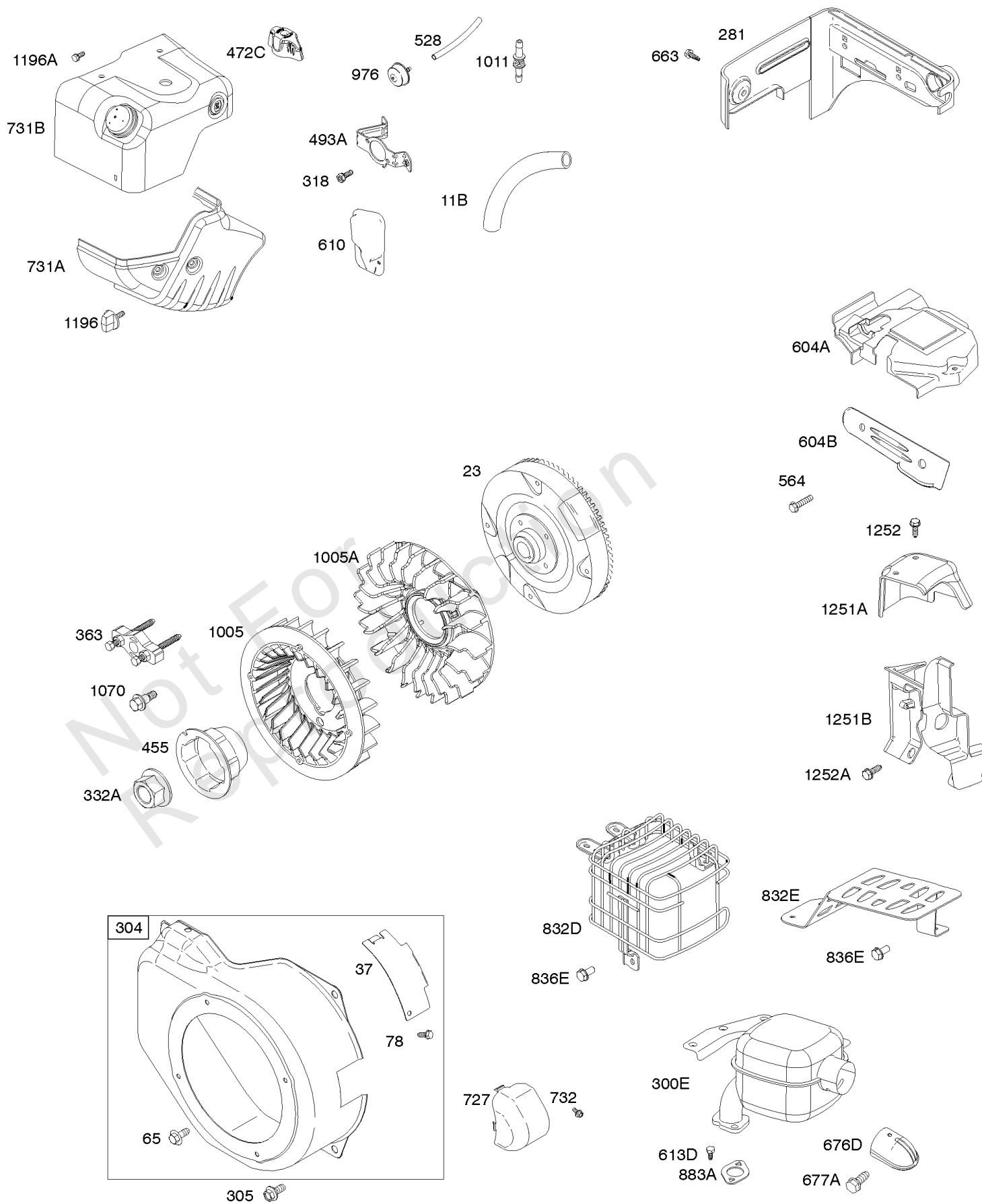
Mfg. No: 15C112-3007-F8

| Model Components | Page |
|--|-------------|
| Blower Housing/Shrouds, Exhaust System..... | 4 |
| Camshaft, Crankshaft, Cylinder, Piston Group..... | 8 |
| Carburetor, Fuel Supply..... | 12 |
| Controls, Flywheel, Governor Spring, Rewind Starter..... | 16 |
| Crankcase Cover, Lubrication..... | 18 |
| Cylinder Head..... | 20 |
| Electric Starter, Ignition..... | 24 |
| Replacement Engine - US & Canada..... | 26 |

Not For
Reproduction

Blower Housing/Shrouds, Exhaust System

Mfg. No: 15C112-3007-F8

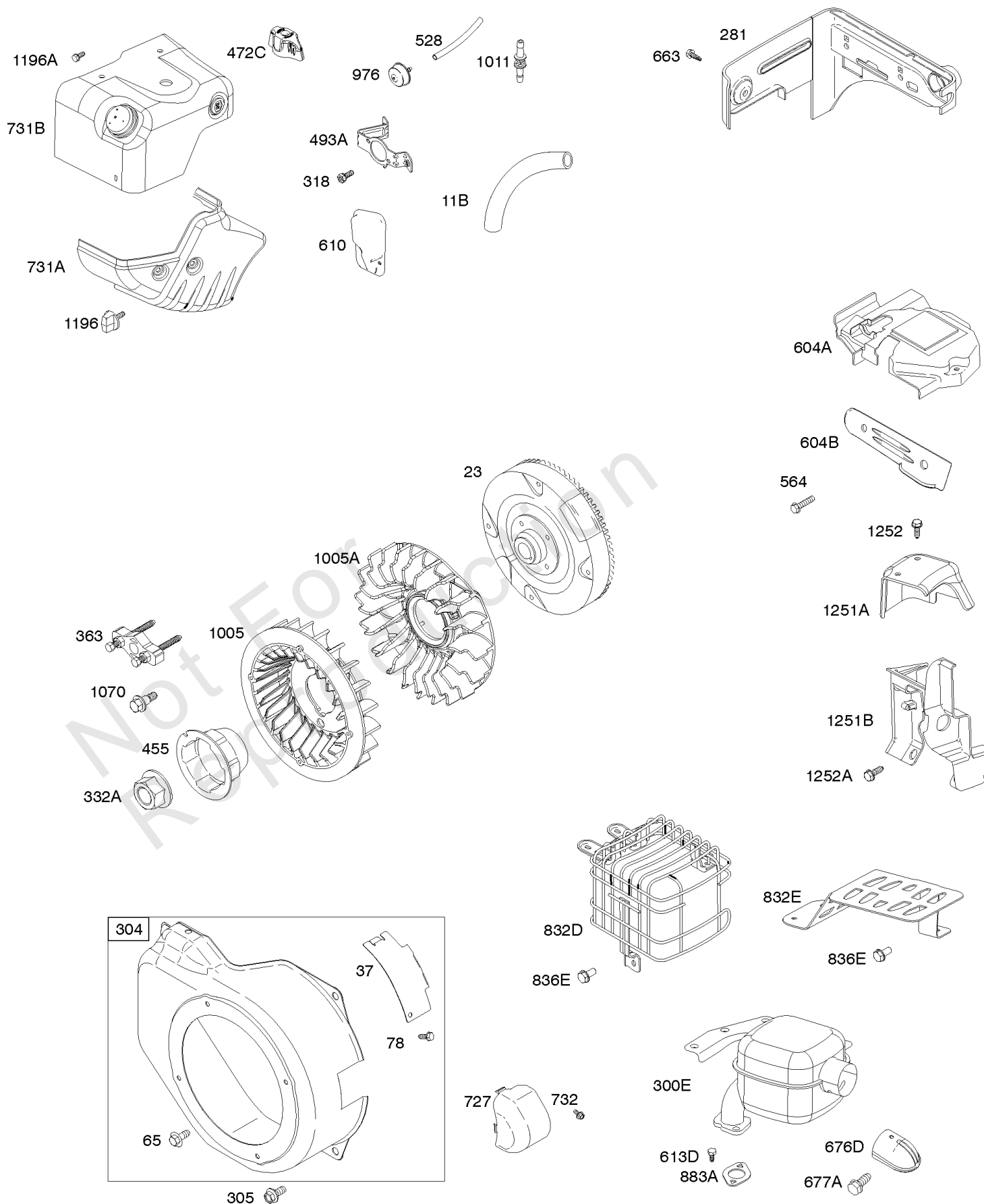


Blower Housing/Shrouds, Exhaust System

| REF NO | PART NO | QTY | DESCRIPTION |
|--------|---------|-----|--|
| 11B | 695745 | | TUBE, Breather |
| 23 | 798882 | | FLYWHEEL |
| 37 | 699661 | | GUARD, Flywheel |
| 65 | 699228 | | SCREW -(Rewind Starter) |
| 78 | 699205 | | SCREW -(Flywheel Guard) |
| 281 | 793122 | | PANEL, Control |
| 300E | 594226 | | MUFFLER |
| 304 | 699598 | | HOUSING, Blower |
| 305 | 699481 | | SCREW -(Blower Housing) |
| 318 | 798649 | | SCREW -(Mounting Bracket) (Metric) |
| 318 | 690370 | | SCREW -(Mounting Bracket) (SAE) |
| 332A | 591988 | | NUT -(Flywheel) |
| 363 | 19203 | | PULLER, Flywheel |
| 455 | 797431 | | CUP, Flywheel -Used After Code Date 11071900 |
| 455 | 591302 | | CUP, Flywheel -Used Before Code Date 10072000 |
| 472C | 791948 | | KNOB, Choke Shaft |
| 493A | 695744 | | BRACKET, Mounting |
| 528 | 793006 | | HOSE, Primer |
| 564 | 699854 | | SCREW -(Control Cover) |
| 604A | 793134 | | COVER, Control |
| 604B | 790473 | | COVER, Control |
| 610 | 794614 | | ARRESTER, Intake |
| 613D | 798517 | | SCREW -(Muffler) |
| 663 | 699206 | | SCREW -(Control Panel) |
| 676D | 794213 | | DEFLECTOR, Muffler |
| 677A | 699776 | | SCREW -(Muffler Deflector) |
| 727 | 698039 | | COVER, Starter Drive |
| 731A | 794589 | | HOOD, Snow |
| 731B | 798456 | | HOOD, Snow |
| 732 | 699200 | | SCREW -(Starter Drive Cover) |
| 832D | 793193 | | MUFFLER |
| 832E | 797003 | | MUFFLER |
| 836E | 699854 | | SCREW -(Muffler Guard) |
| 883A | 691893 | | GASKET, Exhaust |
| 976 | 793382 | | PRIMER, Carburetor |
| 1005A | 794273 | | FAN, Flywheel |
| 1011 | 794544 | | TUBE, Vent |
| 1070 | 699201 | | SCREW -(Flywheel Fan) |
| 1196 | 798785 | | SCREW -(Snow Hood) |
| 1196A | 699854 | | SCREW -(Snow Hood) |

Blower Housing/Shrouds, Exhaust System

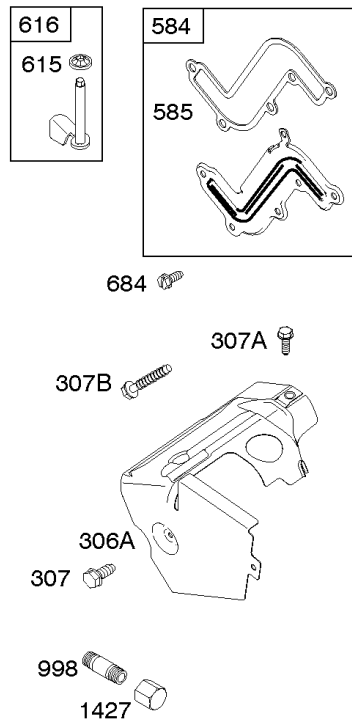
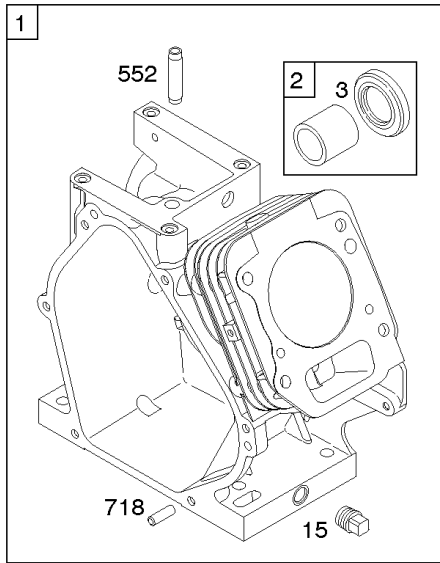
Mfg. No: 15C112-3007-F8



Blower Housing/Shrouds, Exhaust System

| REF NO | PART NO | QTY | DESCRIPTION |
|---------------|----------------|------------|-------------------------|
| 1251A | 594231 | | SHIELD, Snow |
| 1251B | 594228 | | SHIELD, Snow |
| 1252 | 699234 | | SCREW -(Snow Shield) |
| 1252A | 699491 | | SCREW -(Snow Shield) |

Not For Reproduction



1319 WARNING LABEL

REQUIRED when replacing parts with warning labels affixed.

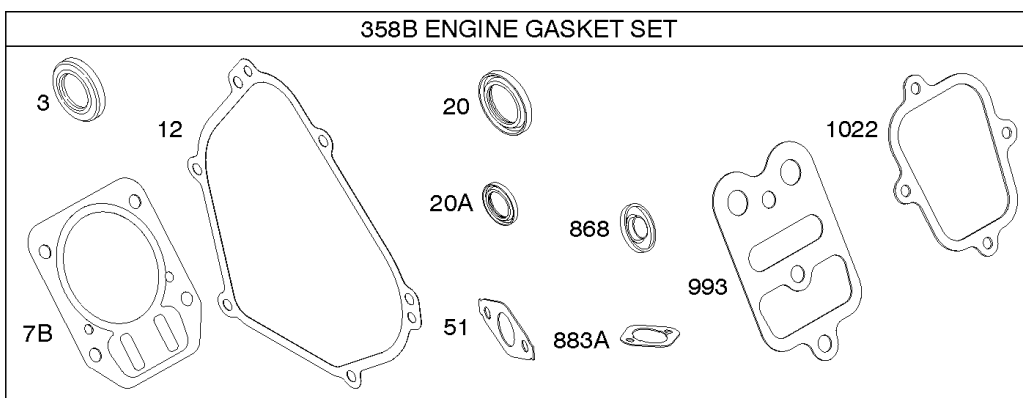
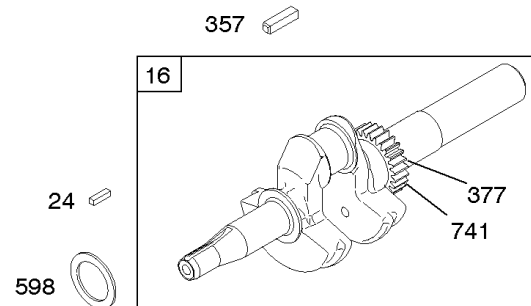
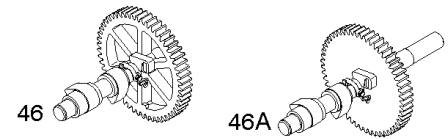
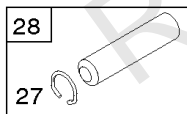
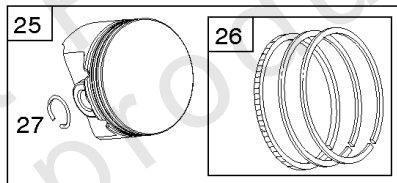
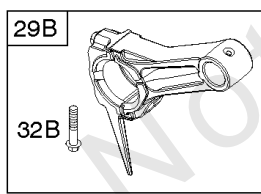
1319A WARNING LABEL

REQUIRED when replacing parts with warning labels affixed.

1330 REPAIR MANUAL

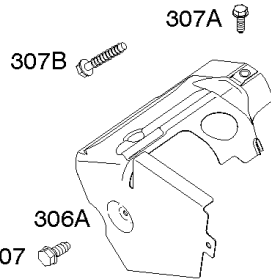
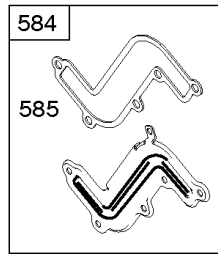
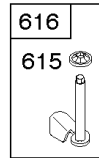
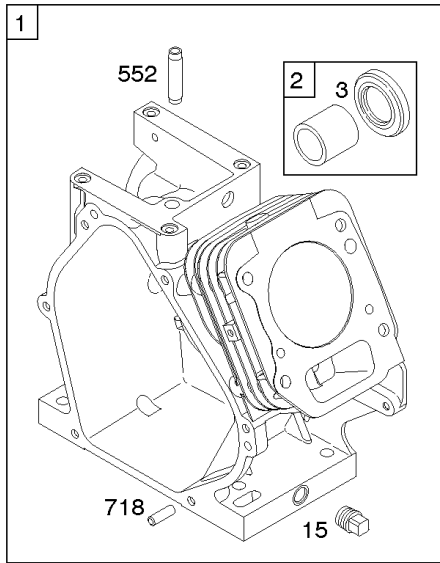
1036 EMISSIONS LABEL

1019 LABEL KIT



Camshaft, Crankshaft, Cylinder, Piston Group

| REF NO | PART NO | QTY | DESCRIPTION |
|--------|---------|-----|---|
| 1 | 794188 | | CYLINDER ASSEMBLY |
| 2 | 796961 | | KIT, Bushing/Seal -(Magneto Side) |
| 3 | 299819S | | SEAL, Oil -(Magneto Side) |
| 7B | 791716 | | GASKET, Cylinder Head |
| 12 | 699485 | | GASKET, Crankcase |
| 15 | 691686 | | PLUG, Oil Drain |
| 16 | 797077 | | CRANKSHAFT |
| 20 | 692550 | | SEAL, Oil -(PTO Side) |
| 20A | 691952 | | SEAL, Oil -(PTO Side) (Auxiliary Drive) |
| 24 | 796335 | | KEY, Flywheel |
| 25 | 791791 | | PISTON ASSEMBLY -(.020 Oversize) |
| 25 | 791786 | | PISTON ASSEMBLY -(Standard) |
| 26 | 791792 | | SET, Ring -(.020" Oversize) |
| 26 | 791787 | | SET, Ring -(Standard) |
| 27 | 690975 | | LOCK, Piston Pin |
| 28 | 690229 | | PIN, Piston -(Standard) |
| 29B | 791783 | | ROD, Connecting |
| 32B | 791784 | | SCREW -(Connecting Rod) |
| 46 | 693404 | | CAMSHAFT |
| 46A | 695285 | | CAMSHAFT |
| 51 | 692555 | | GASKET, Intake -(2 Required) |
| 82 | 690369 | | SCREW -(Gear Reduction Case) |
| 306A | 594227 | | SHIELD, Cylinder |
| 307 | 794822 | | SCREW -(Cylinder Shield) |
| 307A | 699234 | | SCREW -(Cylinder Shield) |
| 307B | 790557 | | SCREW -(Cylinder Shield) |
| 357 | 692191 | | KEY, Drive Pulley |
| 358B | 791797 | | GASKET SET, Engine |
| 377 | 690979 | | KEY, Woodruff |
| 552 | 692346 | | BUSHING, Governor Crank |
| 584 | 791759 | | COVER, Breather Passage |
| 585 | 791760 | | GASKET, Breather Passage |
| 598 | 220624 | | SHIM, End Play -(Crankshaft or Camshaft Bearing) |
| 615 | 692576 | | RETAINER, Governor Shaft |
| 616 | 692547 | | CRANK, Governor |
| 684 | 793369 | | SCREW -(Breather Passage Cover) |
| 718 | 592860 | | PIN, Locating |
| 741 | 695087 | | GEAR, Timing -(Metal) |



1319 WARNING LABEL

REQUIRED when replacing parts with warning labels affixed.

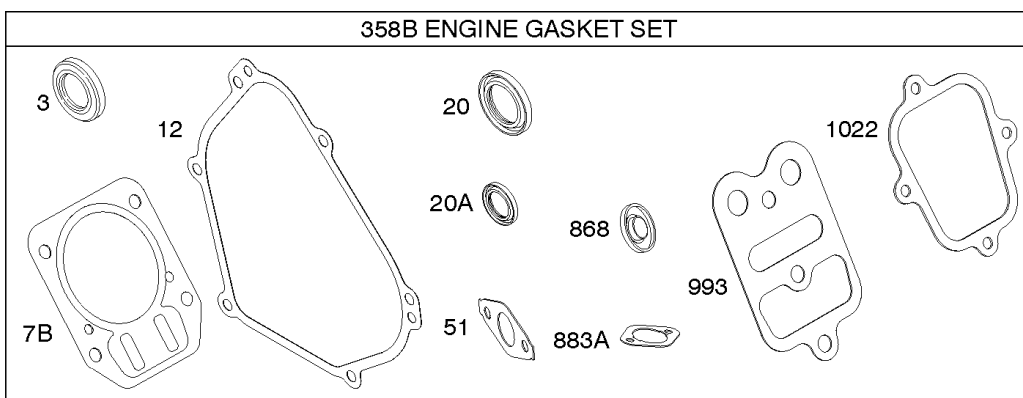
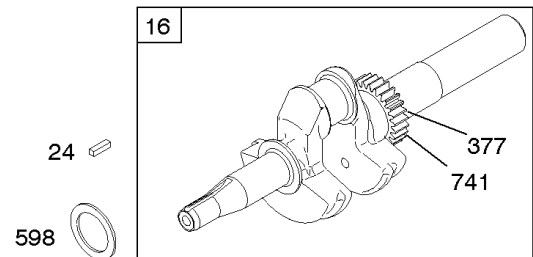
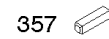
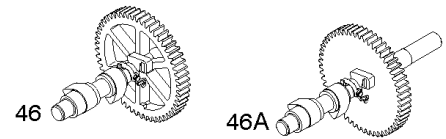
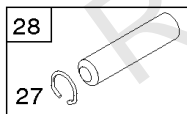
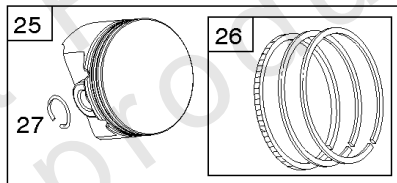
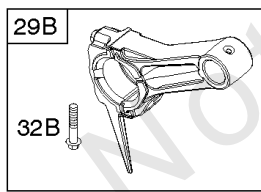
1319A WARNING LABEL

REQUIRED when replacing parts with warning labels affixed.

1330 REPAIR MANUAL

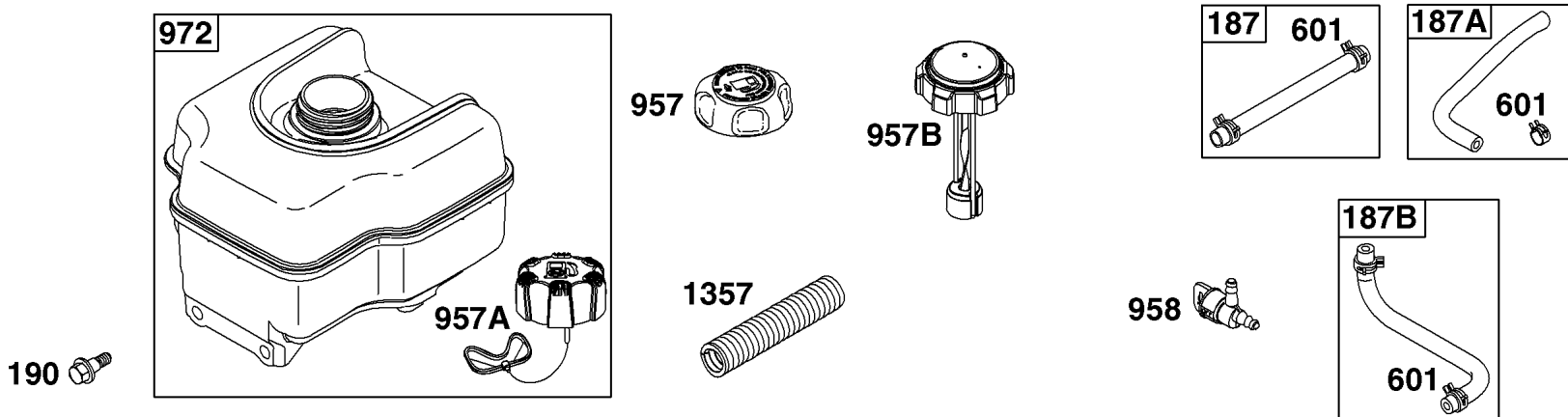
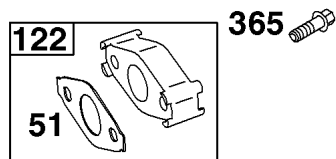
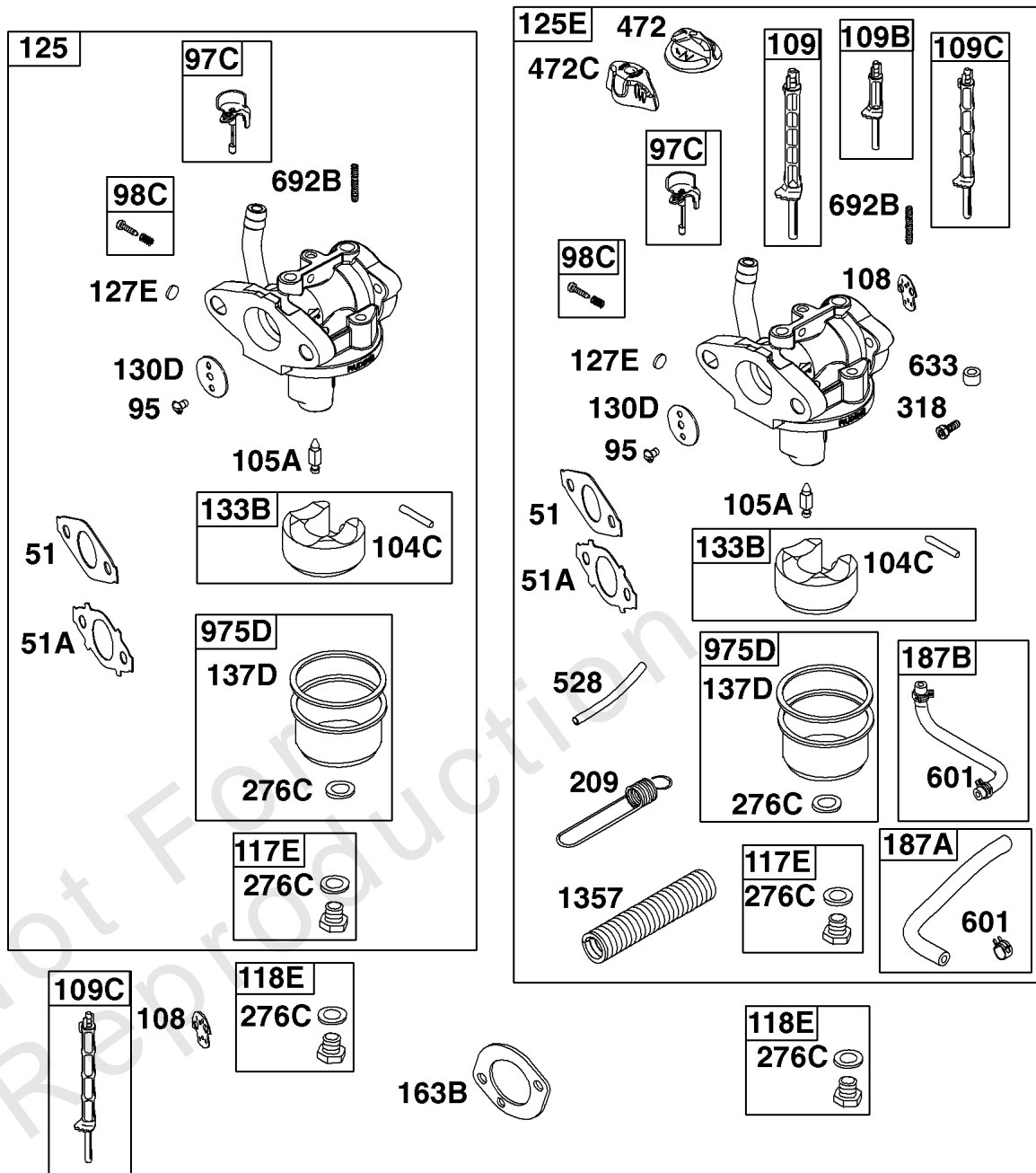
1036 EMISSIONS LABEL

1019 LABEL KIT



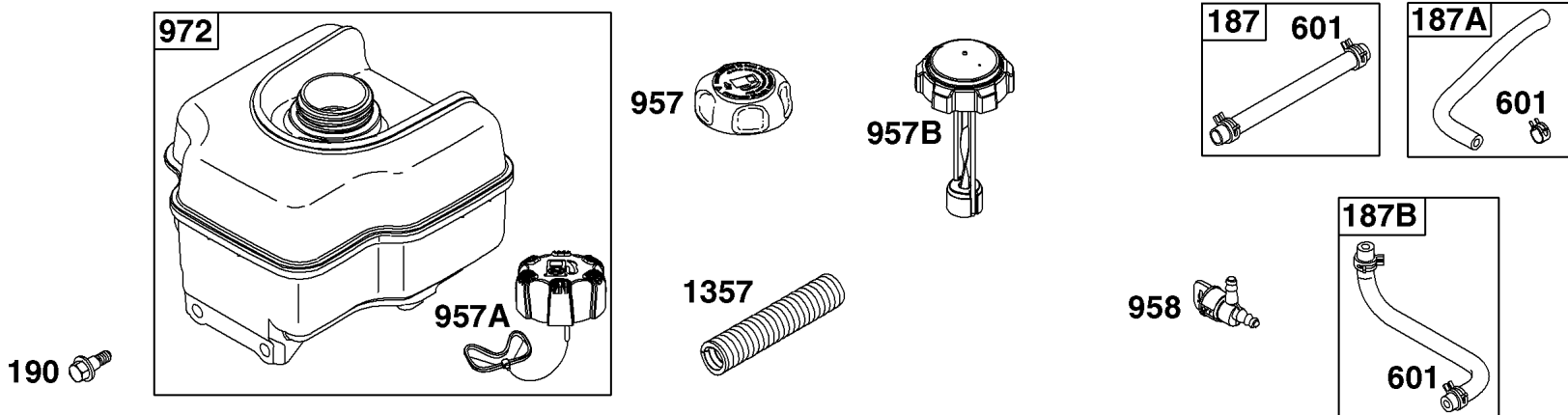
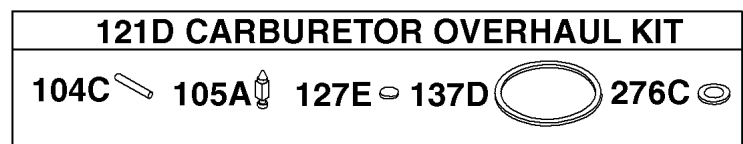
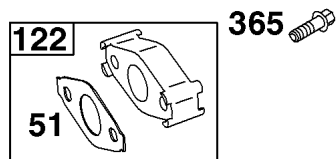
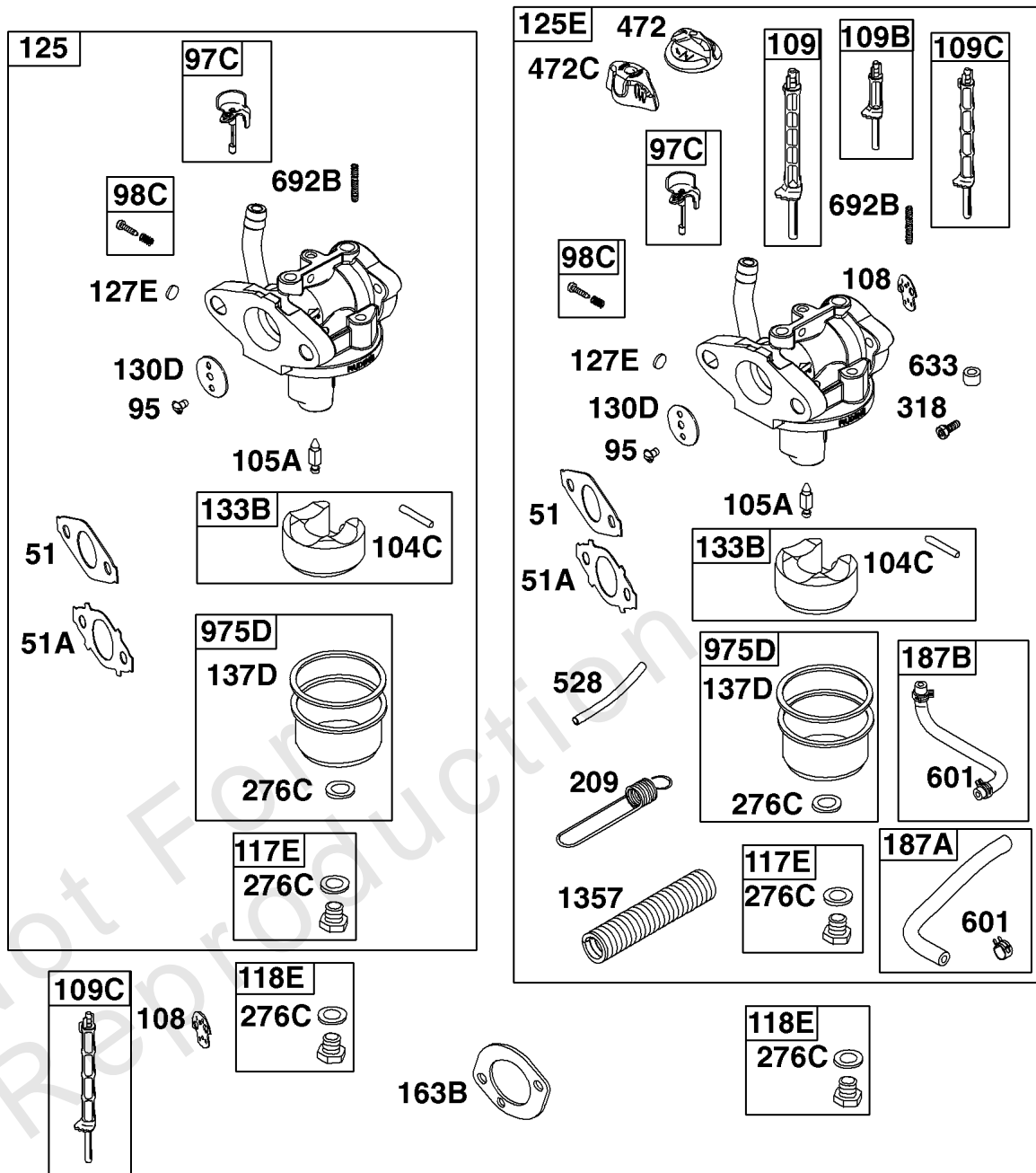
Camshaft, Crankshaft, Cylinder, Piston Group

| REF NO | PART NO | QTY | DESCRIPTION |
|--------|---------|-----|--|
| 741 | 593499 | | GEAR, Timing -(Plastic) |
| 868 | 795440 | | SEAL, Valve |
| 883A | 691893 | | GASKET, Exhaust |
| 993 | 694088 | | GASKET, Cylinder Head Plate |
| 998 | 696683 | | PIPE, Oil -(4) |
| 998 | 792928 | | PIPE, Oil -(2 1/2) |
| 998 | 794701 | | PIPE, Oil -(5) |
| 1019 | 792211 | | KIT, Label |
| 1022 | 691890 | | GASKET, Rocker Cover |
| 1036 | ----- | | Label-Emissions -(Available From A Briggs & Stratton Authorized Dealer) |
| 1319 | 794467 | | LABEL, Warning |
| 1319A | 797669 | | LABEL, Warning |
| 1330 | 272147 | | MANUAL, Repair |
| 1427 | 695757 | | PLUG, Oil Drain |



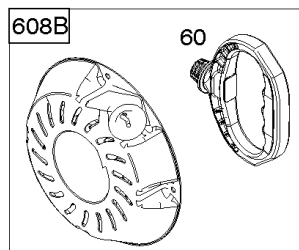
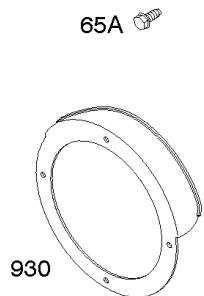
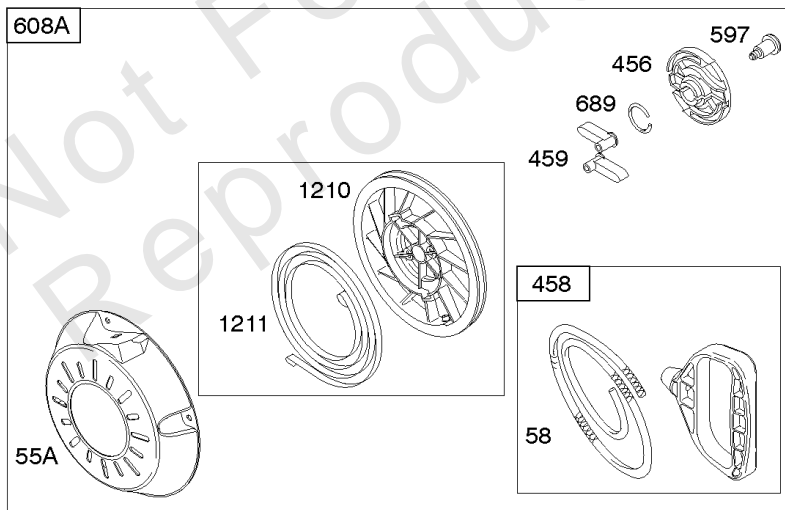
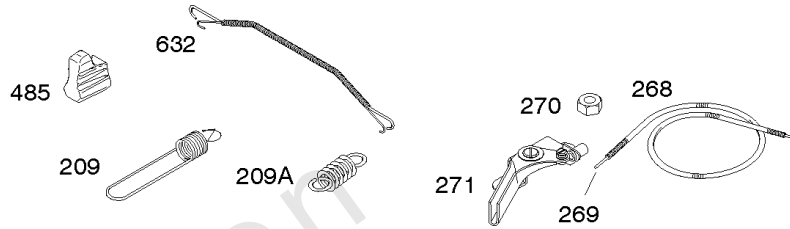
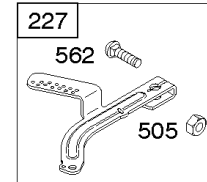
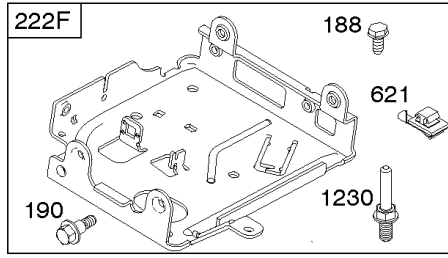
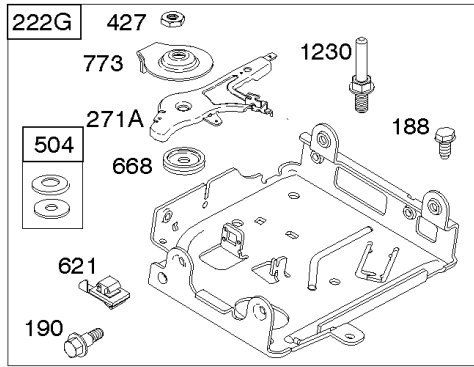
Carburetor, Fuel Supply

| REF NO | PART NO | QTY | DESCRIPTION |
|--------|---------|-----|--|
| 51 | 692555 | | GASKET, Intake -(2 Required) |
| 51A | 791718 | | GASKET, Intake |
| 95 | 691636 | | SCREW -(Throttle Valve) |
| 97C | 797628 | | SHAFT, Throttle |
| 98C | 797156 | | KIT, Idle Speed |
| 104C | 797622 | | PIN, Float Hinge |
| 105A | 797139 | | VALVE, Float Needle |
| 108 | 796993 | | VALVE, Choke |
| 109 | 791957 | | SHAFT, Choke |
| 109B | 695729 | | SHAFT, Choke |
| 109C | 791954 | | SHAFT, Choke |
| 117E | 590906 | | JET, Main -(Standard) -Used After Code Date 11080700 |
| 117E | 798930 | | JET, Main -(Standard) -Used Before Code Date 11080800 |
| 118E | 590440 | | JET, Main -(High Altitude) -Used After Code Date 11080700 |
| 118E | 590440 | | JET, Main -(High Altitude) -Used Before Code Date 11080800 |
| 118E | 798661 | | JET, Main -(High Altitude) (High Altitude) -Used Before Code Date 11080800 |
| 121D | 797634 | | KIT, Carburetor Overhaul |
| 122 | 791717 | | SPACER, Carburetor |
| 125 | 594014 | | CARBURETOR -Used Before Code Date 11080800 |
| 125 | 594015 | | CARBURETOR -Used After Code Date 11080700 |
| 127E | 797633 | | PLUG, Welch |
| 130D | 797630 | | VALVE, Throttle |
| 133B | 797136 | | FLOAT, Carburetor |
| 137D | 798932 | | GASKET, Float Bowl |
| 163B | 696024 | | GASKET, Air Cleaner -(Flat Panel Air Cleaner) |
| 187 | 791766 | | LINE, Fuel -(Cut To Required Length) |
| 187A | 791867 | | LINE, Fuel -(Molded) -Used Before Code Date 10071000 |
| 187A | 798908 | | LINE, Fuel -(Molded) -Used After Code Date 10070900 |
| 187B | 791874 | | LINE, Fuel -(Molded) -Used Before Code Date 10071000 |
| 187B | 798907 | | LINE, Fuel -(Molded) -Used After Code Date 10070900 |
| 190 | 699220 | | SCREW -(Fuel Tank) |
| 209 | 692571 | | SPRING, Governor -(No Color) |
| 276C | 797632 | | WASHER, Sealing |



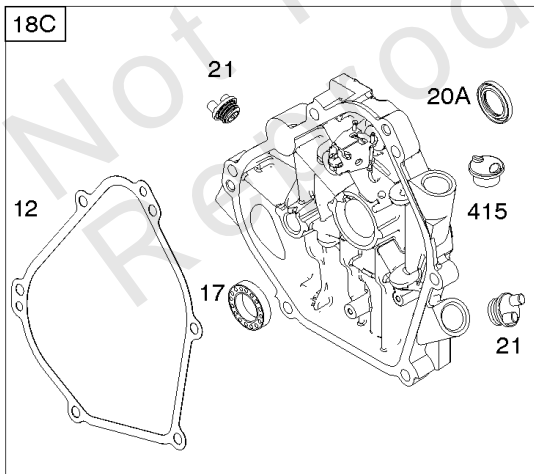
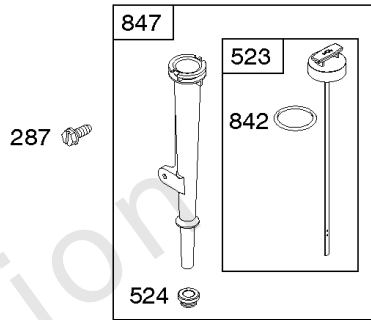
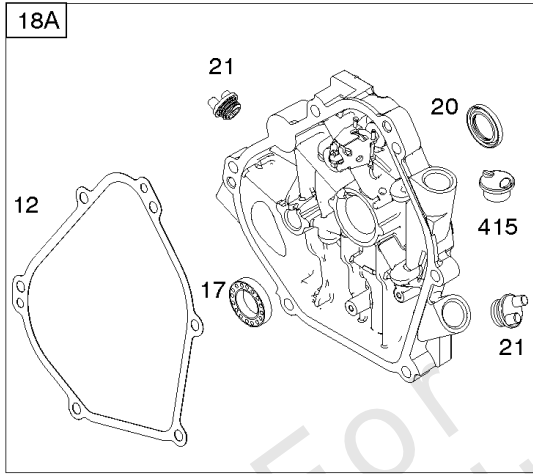
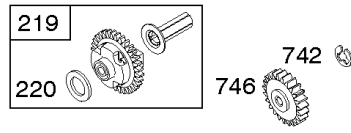
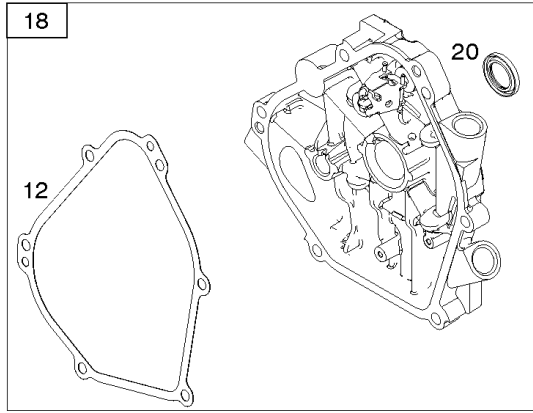
Carburetor, Fuel Supply

| REF NO | PART NO | QTY | DESCRIPTION |
|--------|---------|-----|---------------------------------------|
| 318 | 798649 | | SCREW -(Mounting Bracket) (Metric) |
| 318 | 690370 | | SCREW -(Mounting Bracket) (SAE) |
| 365 | 699484 | | SCREW -(Carburetor/Throttle Body) |
| 472 | 791958 | | KNOB, Choke Shaft |
| 472C | 791948 | | KNOB, Choke Shaft |
| 528 | 793006 | | HOSE, Primer |
| 601 | 791850 | | CLAMP, Hose |
| 633 | 693867 | | SEAL, Choke/Throttle Shaft |
| 692B | 797624 | | SPRING, Detent |
| 957 | 792647 | | CAP, Fuel Tank -(Fresh Start) |
| 957 | 795027 | | CAP, Fuel Tank -(Text Free) |
| 957A | 799719 | | CAP, Fuel Tank -(Carbon In Cap) |
| 957B | 698109 | | CAP, Fuel Tank |
| 958 | 698180 | | VALVE, Fuel Shut Off |
| 972 | 799863 | | TANK, Fuel |
| 975D | 798931 | | BOWL, Float |
| 1357 | 794700 | | SLEEVE, Fuel Line |



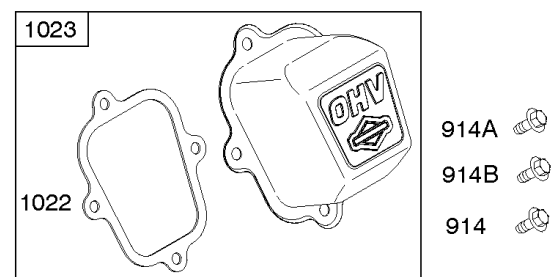
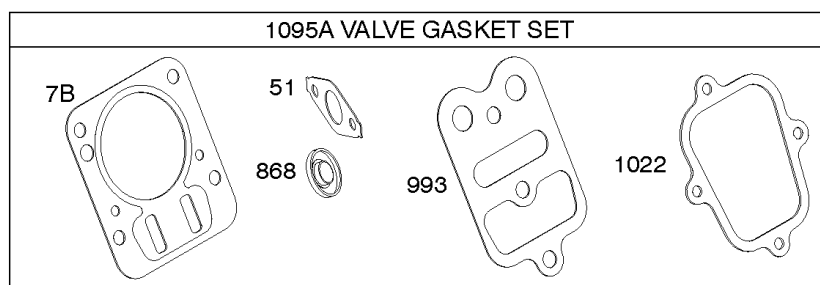
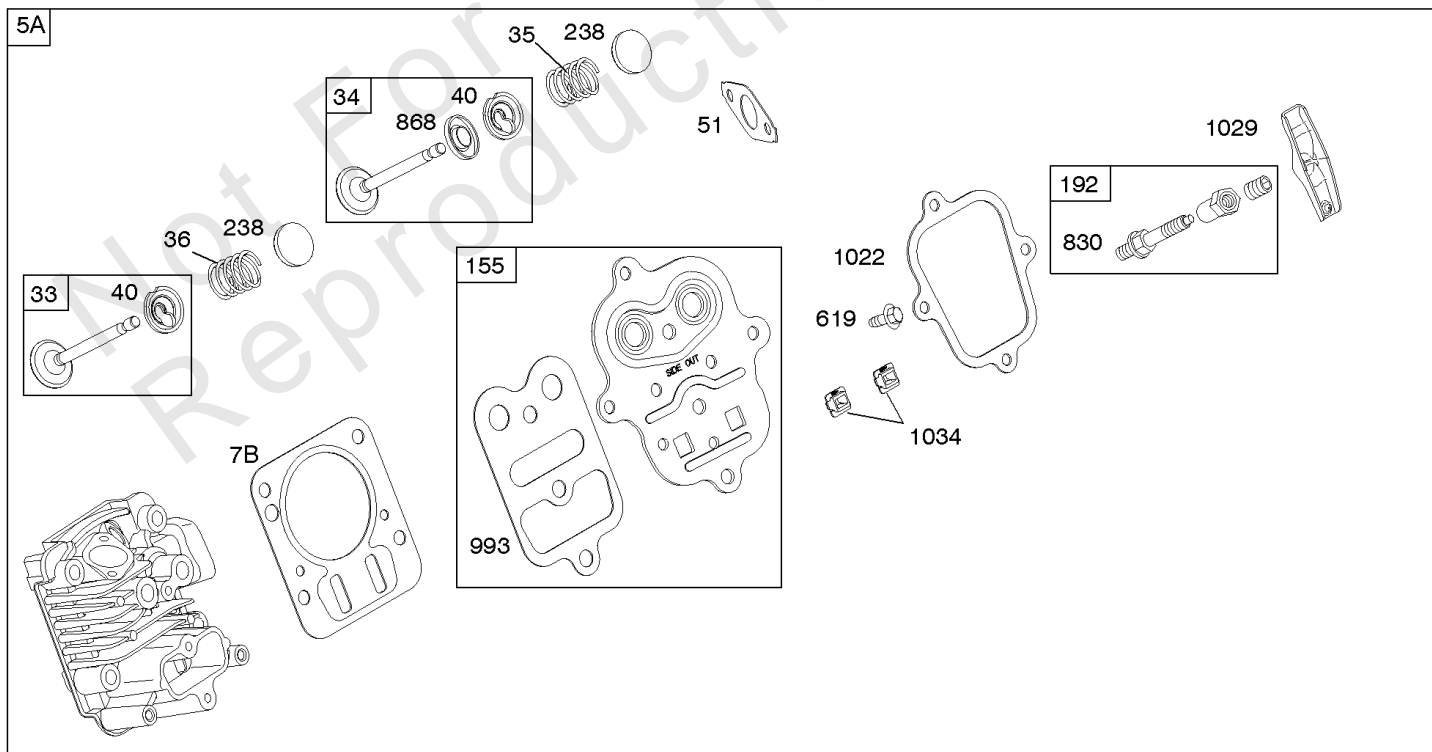
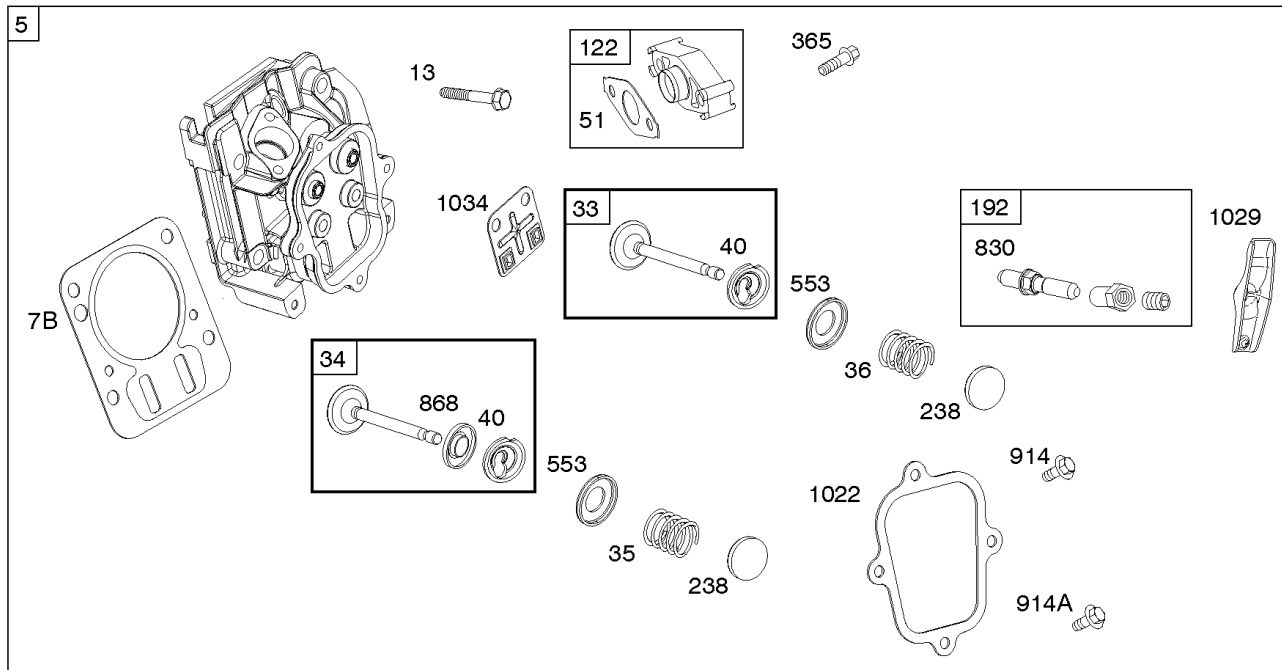
Controls, Flywheel, Governor Spring, Rewind Starter

| REF NO | PART NO | QTY | DESCRIPTION |
|--------|---------|-----|---|
| 55A | 696710 | | HOUSING, Rewind Starter |
| 58 | 693389 | | ROPE, Starter -(Cut To Required Length) |
| 65A | 699851 | | SCREW -(Rewind Starter) |
| 188 | 699479 | | SCREW -(Control Bracket) |
| 190 | 699220 | | SCREW -(Fuel Tank) |
| 209 | 692571 | | SPRING, Governor -(No Color) |
| 209A | 691278 | | SPRING, Governor -(Platinum) |
| 222F | 793100 | | BRACKET, Control |
| 222G | 793109 | | BRACKET, Control |
| 227 | 794367 | | LEVER, Governor Control |
| 268 | 691025 | | CASING, Control Wire -(Cut To Required Length) |
| 269 | 691026 | | WIRE, Control -(Cut To Required Length) |
| 270 | 691027 | | NUT -(Control Wire Casing) (Control Wire Casing) |
| 271 | 691028 | | LEVER, Control |
| 271A | 698038 | | LEVER, Control |
| 427 | 694255 | | NUT -(Control Bracket) (SAE) |
| 427 | 798458 | | NUT -(Control Bracket) (Metric) |
| 456 | 692299 | | PLATE, Pawl Friction |
| 458 | 699334 | | GRIP, Starter Rope |
| 459 | 281505S | | PAWL, Ratchet |
| 485 | 695755 | | KNOB, Control |
| 504 | 695383 | | SET, Friction Washer |
| 505 | 691251 | | NUT -(Governor Control Lever) |
| 562 | 691119 | | BOLT -(Governor Control Lever) |
| 597 | 691696 | | SCREW -(Pawl Friction Plate) |
| 608A | 699335 | | STARTER, Rewind -Used Before Code Date 10072000 |
| 608B | 797430 | | STARTER, Rewind -Used After Code Date 10071900 |
| 621 | 692310 | | SWITCH, Stop |
| 632 | 692653 | | SPRING/LINK, Mechanical Governor |
| 668 | 694257 | | SPACER |
| 689 | 691855 | | SPRING, Friction |
| 773 | 694258 | | RETAINER |
| 930 | 696709 | | GUARD, Rewind |
| 1210 | 498144 | | PULLEY/SPRING ASSEMBLY -(Pulley) |
| 1211 | 498144 | | PULLEY/SPRING ASSEMBLY -(Spring) |
| 1230 | 699847 | | STUD -(Control Bracket) |



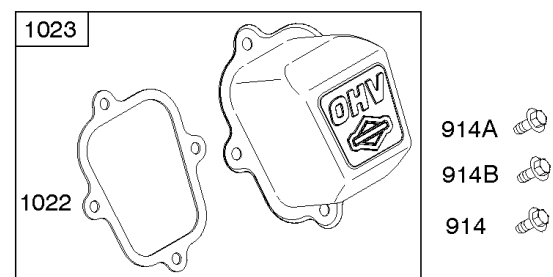
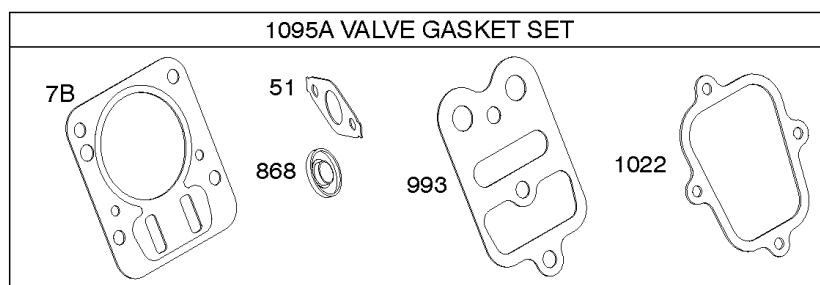
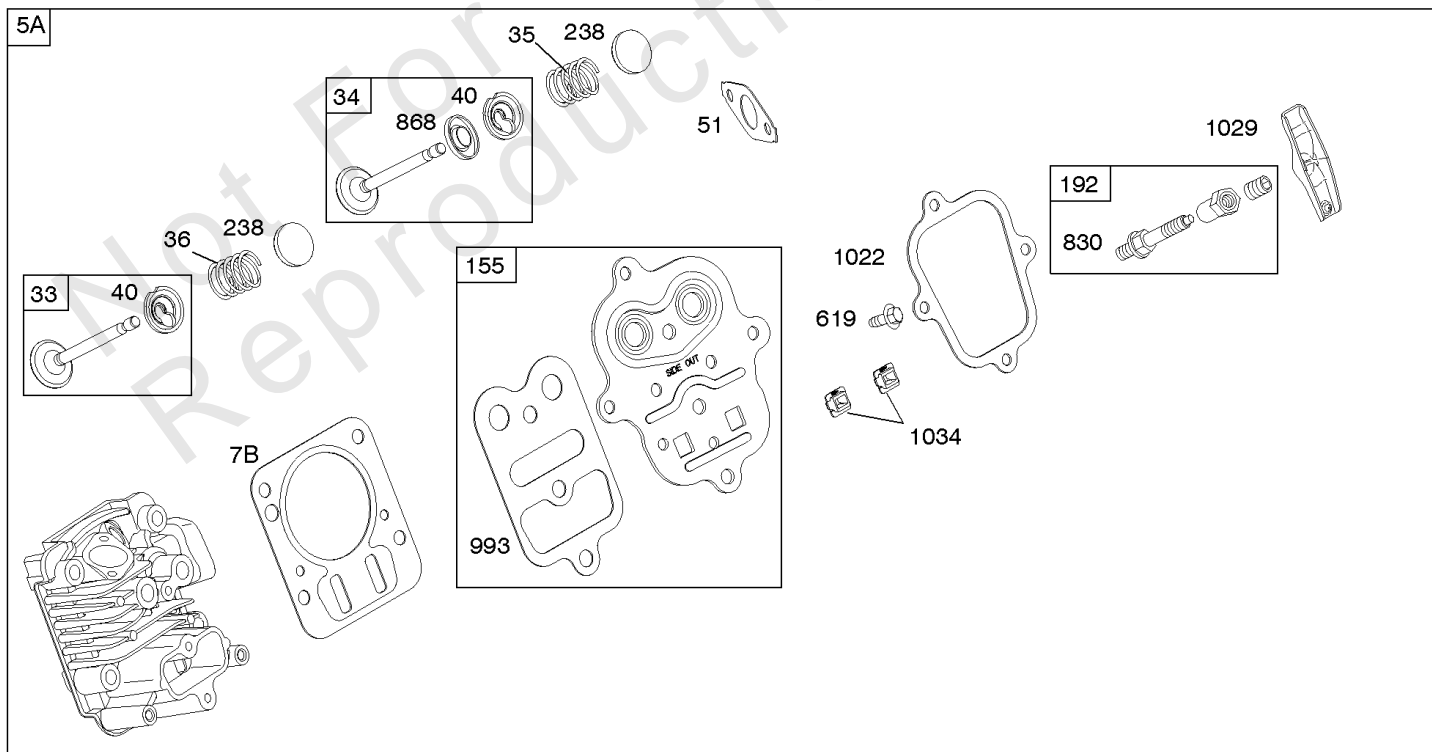
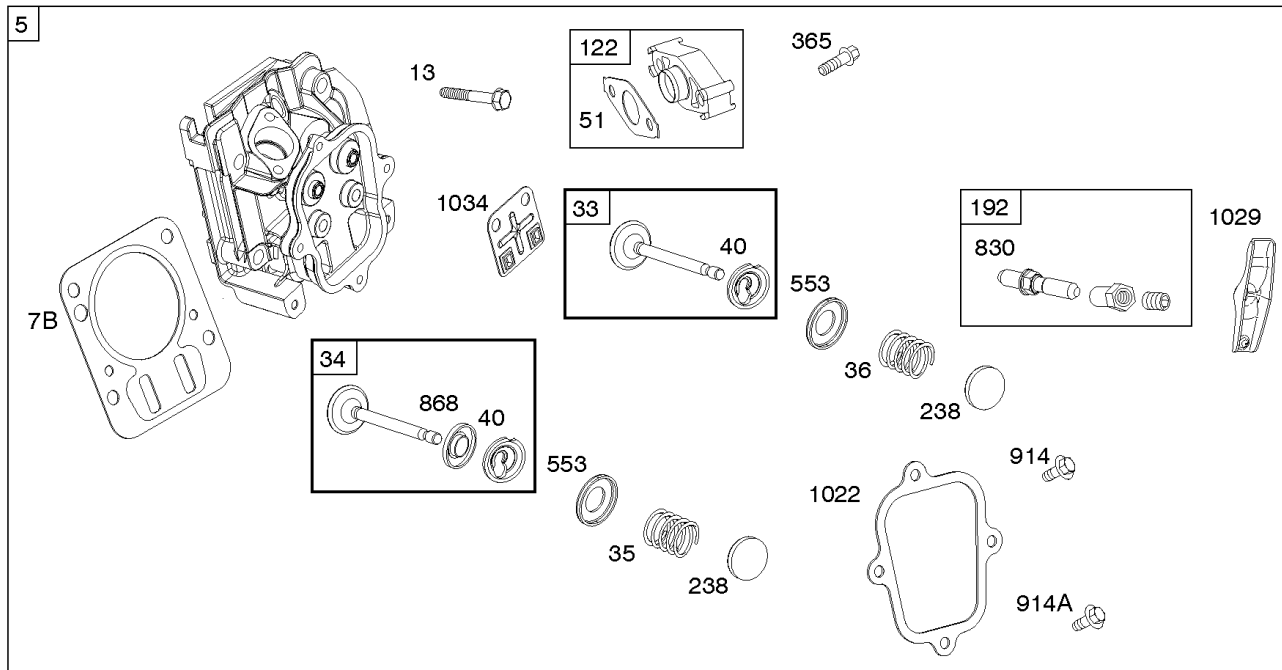
Crankcase Cover, Lubrication

| REF NO | PART NO | QTY | DESCRIPTION |
|---------------|----------------|------------|--|
| 12 | 699485 | | GASKET, Crankcase |
| 17 | 798538 | | BEARING, Ball |
| 18 | 699804 | | COVER, Crankcase |
| 20 | 692550 | | SEAL, Oil -(PTO Side) |
| 20A | 691952 | | SEAL, Oil -(PTO Side) (Auxiliary Drive) |
| 21 | 281658S | | CAP, Oil Fill |
| 22 | 594519 | | SCREW -(Crankcase Cover/Sump) |
| 219 | 693578 | | GEAR, Governor |
| 220 | 691724 | | WASHER -(Governor Gear) |
| 287 | 699234 | | SCREW -(Dipstick Tube) |
| 415 | 693463 | | PLUG |
| 523 | 693618 | | DIPSTICK |
| 524 | 281370S | | SEAL, O-Ring -(Dipstick Tube) |
| 742 | 692564 | | RETAINER, E Ring |
| 746 | 790278 | | GEAR, Idler |
| 842 | 691031 | | SEAL, O-Ring -(Dipstick Tube) |
| 847 | 693617 | | DIPSTICK/TUBE ASSEMBLY |



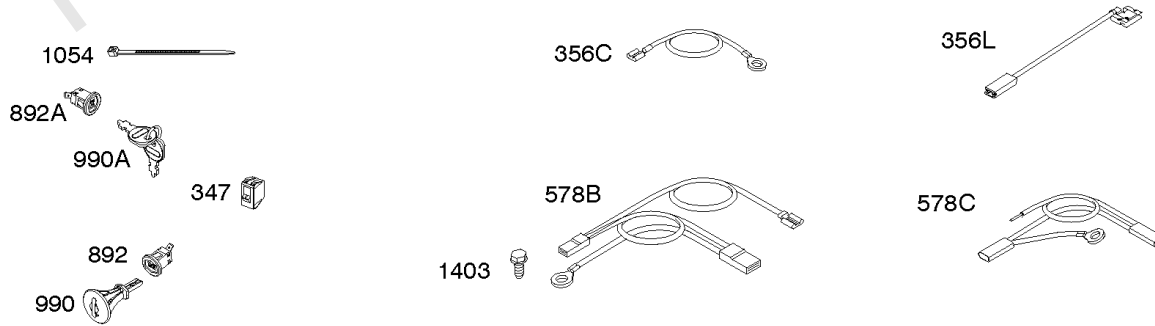
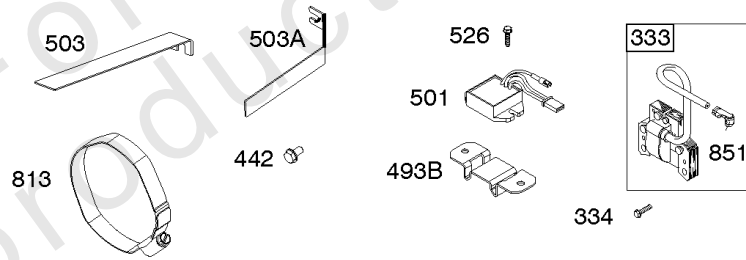
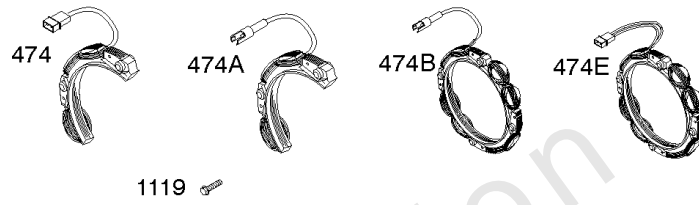
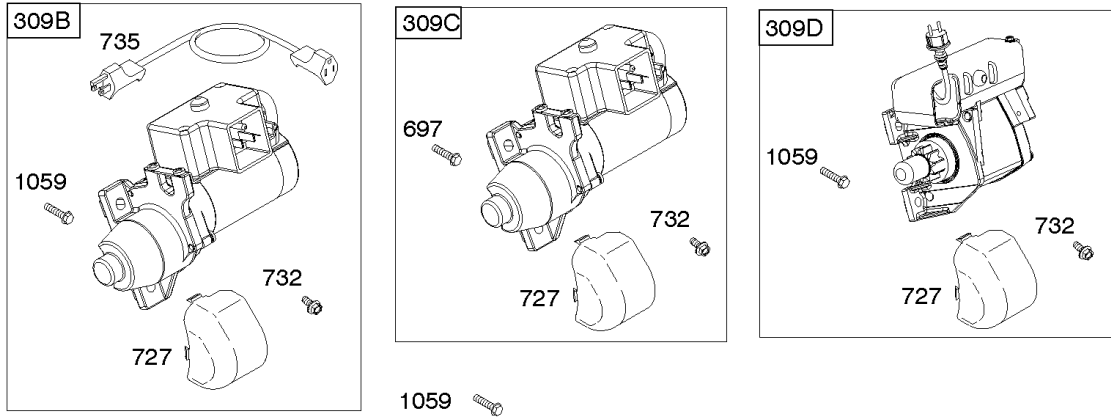
Cylinder Head

| REF NO | PART NO | QTY | DESCRIPTION |
|--------|---------|-----|---|
| 5 | 594701 | | HEAD, Cylinder -Used After Code Date 14090400 |
| 5A | 791720 | | HEAD, Cylinder -Used Before Code Date 14090500 |
| 7B | 791716 | | GASKET, Cylinder Head |
| 13 | 594518 | | SCREW -(Cylinder Head) -Used After Code Date 14090400 |
| 13 | 699482 | | SCREW -(Cylinder Head) -Used Before Code Date 14090500 |
| 33 | 499642 | | VALVE, Exhaust |
| 34 | 795443 | | VALVE, Intake |
| 35 | 691304 | | SPRING, Valve -(Intake) |
| 36 | 691304 | | SPRING, Valve -(Exhaust) |
| 40 | 692194 | | RETAINER, Valve |
| 45 | 690977 | | TAPPET, Valve |
| 51 | 692555 | | GASKET, Intake -(2 Required) |
| 122 | 791717 | | SPACER, Carburetor |
| 155 | 698214 | | PLATE, Cylinder Head -(SAE) -Used Before Code Date 09061800 |
| 155 | 797442 | | PLATE, Cylinder Head -(Metric) -Used After Code Date 09061700 |
| 192 | 694543 | | ADJUSTER. Rocker Arm -(SAE) -Used Before Code Date 09061800 |
| 192 | 797440 | | ADJUSTER. Rocker Arm -(Metric) -Used After Code Date 09061700 |
| 238 | 691300 | | CAP, Valve |
| 337 | 491055S | | PLUG, Spark -(Resistor) |
| 365 | 699484 | | SCREW -(Carburetor/Throttle Body) |
| 383 | 19576S | | WRENCH, Spark Plug |
| 553 | 594515 | | RETAINER, Valve |
| 619 | 699481 | | SCREW -(Cylinder Head Plate) |
| 635 | 692076 | | BOOT, Spark Plug |
| 635A | 798619 | | BOOT, Spark Plug |
| 830 | 797441 | | STUD, Rocker Arm -(Rocker Arm) (Metric) -Used After Code Date 09061700 -Used Before Code Date 14090400 |
| 830 | 694544 | | STUD, Rocker Arm -(Rocker Arm) (SAE) -Used Before Code Date 09061800 |
| 830 | 594230 | | STUD, Rocker Arm -(Rocker Arm) -Used After Code Date 14090300 |
| 868 | 795440 | | SEAL, Valve |
| 914 | 699481 | | SCREW -(Rocker Cover) (Bottom) |
| 914A | 594517 | | SCREW -(Rocker Cover) (Quantity 1 Top Or Center) -Used After Code Date 15090400 |



Cylinder Head

| REF NO | PART NO | QTY | DESCRIPTION |
|--------|---------|-----|--|
| 914A | 692557 | | SCREW -(Rocker Cover) (Top) -Used Before Code Date 09061800 |
| 914A | 797444 | | SCREW -(Rocker Cover) (Quantity 1 Top Or Center) -Used After Code Date 09061700 -Used Before Code Date 14090500 |
| 914B | 691108 | | SCREW -(Rocker Cover) (Center) -Used Before Code Date 09061800 |
| 993 | 694088 | | GASKET, Cylinder Head Plate |
| 1022 | 691890 | | GASKET, Rocker Cover |
| 1023 | 499924 | | COVER, Rocker |
| 1026 | 790287 | | ROD, Push |
| 1029 | 691230 | | ARM, Rocker -(SAE) -Used Before Code Date 09061800 |
| 1029 | 797443 | | ARM, Rocker -(Metric) -Used After Code Date 09061700 |
| 1034 | 594229 | | GUIDE, Push Rod -Used After Code Date 14090300 |
| 1034 | 691343 | | GUIDE, Push Rod -Used Before Code Date 14090400 |
| 1095A | 791798 | | GASKET SET, Valve |



Electric Starter, Ignition

| REF NO | PART NO | QTY | DESCRIPTION |
|--------|---------|-----|---------------------------------------|
| 309B | 798884 | | MOTOR, Starter -(120 Volt) |
| 333 | 796964 | | ARMATURE, Magneto |
| 334 | 699477 | | SCREW -(Magneto Armature) |
| 347 | 795333 | | SWITCH, Rocker |
| 356C | 695630 | | WIRE, Stop |
| 356L | 790552 | | WIRE, Stop |
| 442 | 790282 | | SCREW -(Starter Strap) |
| 474 | 797090 | | ALTERNATOR -(60W A/C ONLY) |
| 493B | 691177 | | BRACKET, Mounting |
| 501 | 698315 | | REGULATOR |
| 526 | 690297 | | SCREW -(Regulator) |
| 578B | 791956 | | WIRE ASSEMBLY |
| 578C | 794819 | | WIRE ASSEMBLY |
| 697 | 795012 | | SCREW -(Starter Motor) (Drive Cap) |
| 697 | 795026 | | SCREW -(Starter Motor) (Drive Cap) |
| 727 | 698039 | | COVER, Starter Drive |
| 732 | 699200 | | SCREW -(Starter Drive Cover) |
| 735 | 795901 | | CORD, Starter |
| 813 | 690635 | | CLAMP |
| 851 | 493880S | | TERMINAL, Spark Plug |
| 892 | 791944 | | SWITCH, Key |
| 892A | 798182 | | SWITCH, Key |
| 990 | 794696 | | SET, Key |
| 990A | 798177 | | SET, Key |
| 1054 | 280275 | | TIE, Cable |
| 1059 | 793567 | | SCREW |
| 1119 | 699772 | | SCREW -(Alternator) |
| 1403 | 699481 | | SCREW -(Wire Assembly) |

Replacement Engine - US & Canada

| REF NO | PART NO | QTY | DESCRIPTION |
|--------|------------|-----|--|
| | 791711 | 1 | Replacement Short Block |
| | 15C1123007 | 1 | Replacement Engine |
| | ----- | | Top No-Load Speed: 3600 -Trim: ALL |
| | ----- | | Service Note: For all Go-Karts use only a Model 136200 series engine as a replacement, regardless of the original Model. |

Not For Reproduction

