

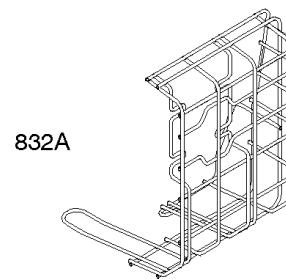
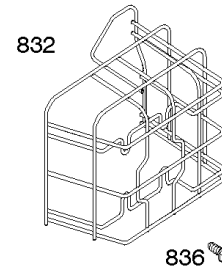
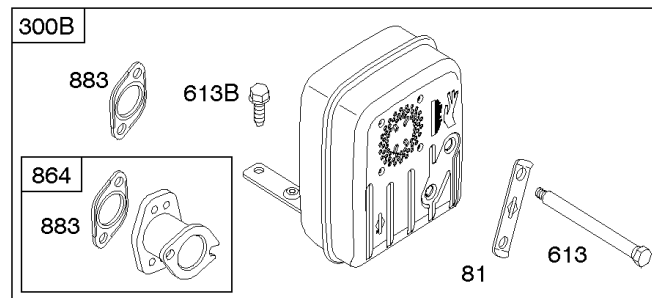
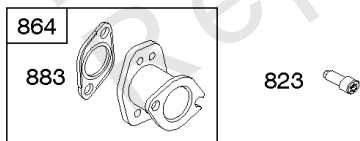
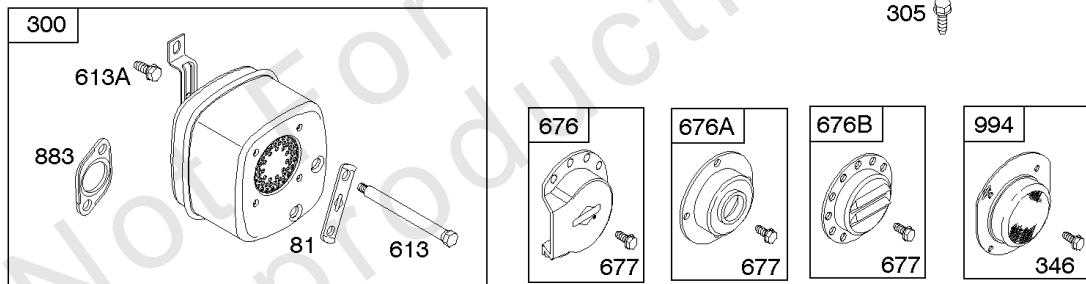
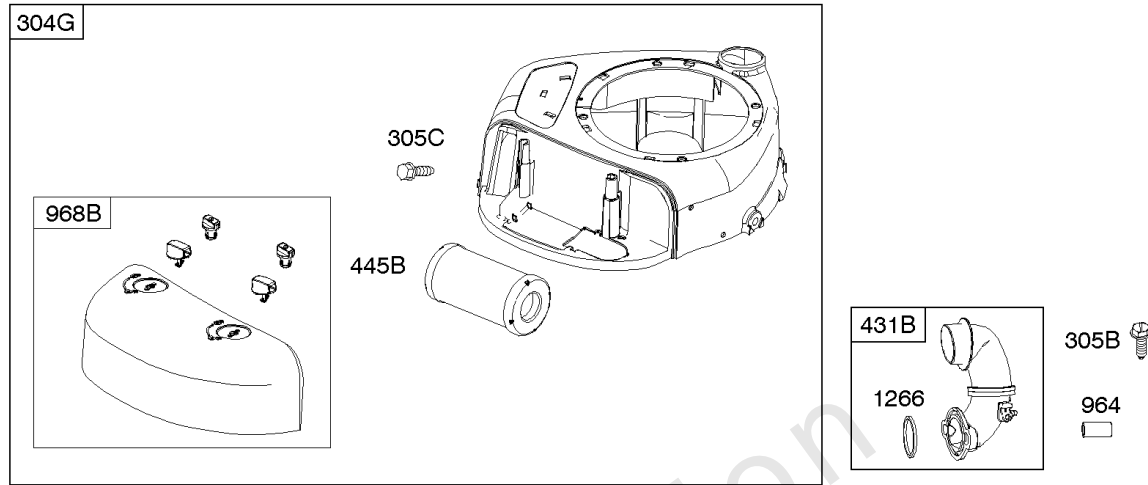
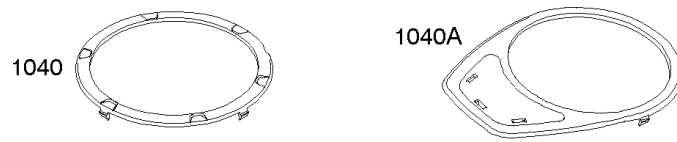


Parts Manual

Mfg. No: 21R807-0051-G1

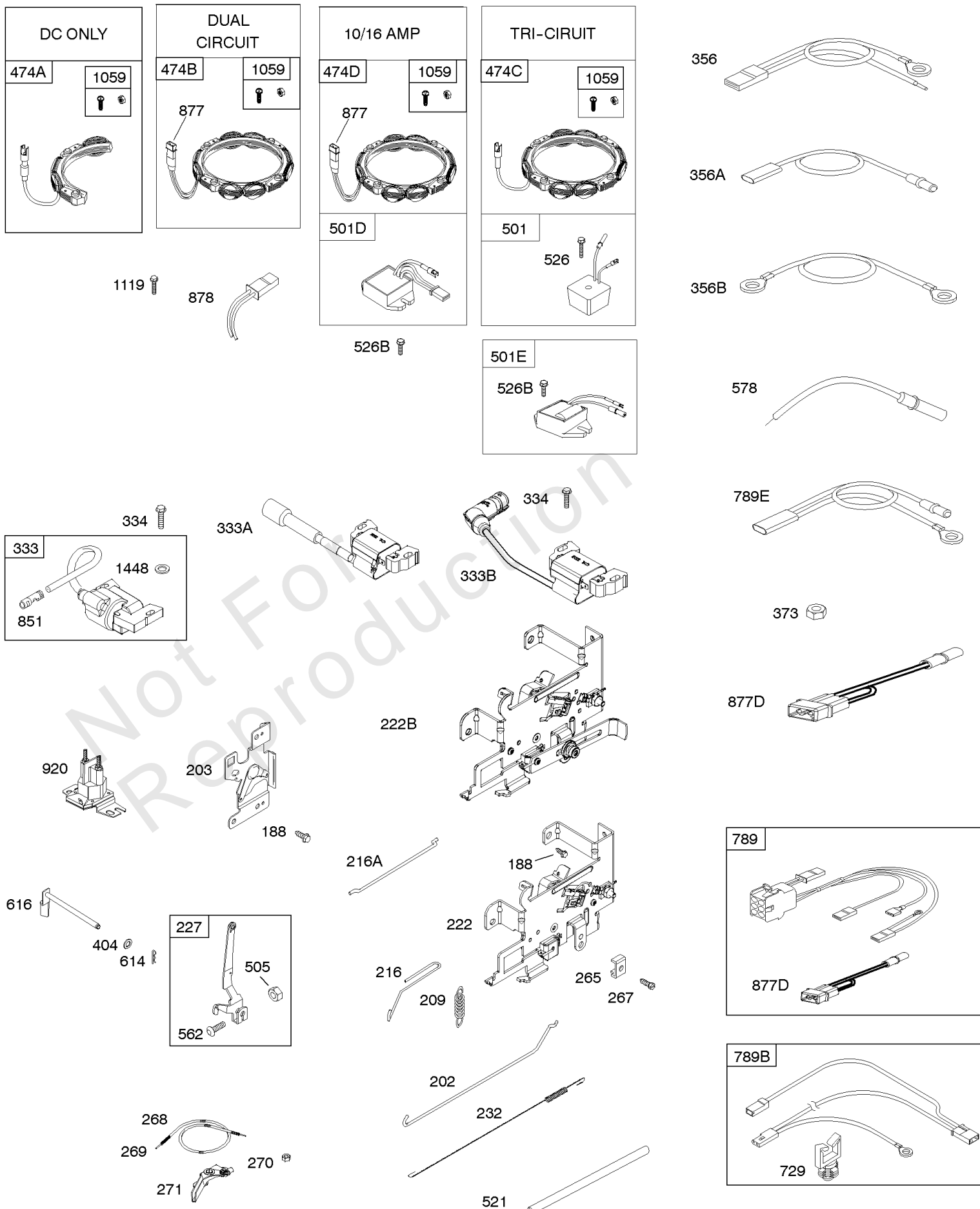
| Model Components | Page |
|--|-------------|
| Air Cleaner, Blower Housing, Exhaust System..... | 4 |
| Alternator, Controls, Governor Spring, Ignition..... | 6 |
| Camshaft, Crankshaft, Counter Weight, Piston, Rings, Connecting Rod..... | 10 |
| Carburetor, Fuel Supply, Kit - Carburetor Overhaul..... | 12 |
| Cylinder Head, Gasket Set - Engine, Gasket Set - Valve, Intake Manifold, Valves..... | 16 |
| Cylinder, Engine Sump, Lubrication, Oil Fill..... | 20 |
| Electric & Rewind Starter, Flywheel..... | 24 |
| Replacement Engine - US & Canada..... | 26 |

Not For
Reproduction



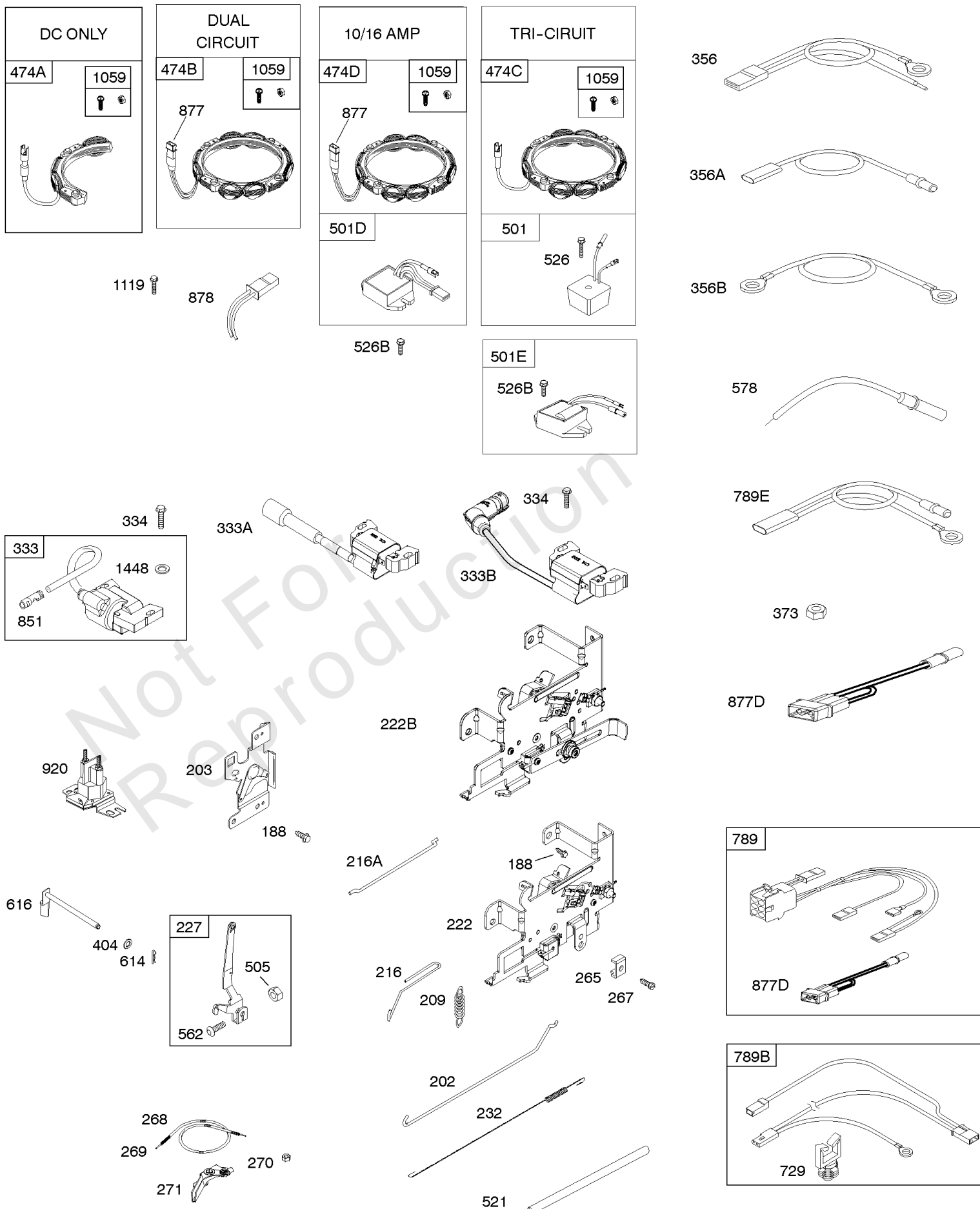
Air Cleaner, Blower Housing, Exhaust System

| REF NO | PART NO | QTY | DESCRIPTION |
|---------------|----------------|------------|--|
| 81 | 691178 | | LOCK, Muffler Screw |
| 300 | 796000 | | MUFFLER |
| 300B | 795997 | | MUFFLER |
| 304G | 591641 | | HOUSING, Blower -(Black-Compatible With Canister Style Filter) |
| 305 | 697102 | | SCREW -(Blower Housing) |
| 305B | 795891 | | SCREW -(Blower Housing) (Blower Housing To Intake Elbow) |
| 305C | 799370 | | SCREW -(Blower Housing) (Used On Grommet Style Blower Housings) |
| 346 | 794845 | | SCREW -(Spark Arrestor) |
| 431B | 797901 | | ELBOW, Intake -(EVAP) |
| 445B | 591583 | | FILTER, A/C Cartridge -(Canister) |
| 613 | 691416 | | SCREW -(Muffler) |
| 613A | 691678 | | SCREW -(Muffler) |
| 613B | 690297 | | SCREW -(Muffler) |
| 676 | 795036 | | DEFLECTOR, Muffler |
| 676A | 396903 | | DEFLECTOR, Muffler |
| 676B | 795038 | | DEFLECTOR, Muffler |
| 677 | 690661 | | SCREW -(Muffler Deflector) |
| 823 | 698941 | | SCREW -(Muffler Adapter) |
| 832 | 790244 | | GUARD, Muffler |
| 832A | 595029 | | GUARD, Muffler |
| 836 | 690367 | | SCREW -(Muffler Guard) |
| 864 | 796002 | | ADAPTER, Muffler -(2 1/4" Long) |
| 883 | 692236 | | GASKET, Exhaust |
| 964 | 799159 | | CAP, Connector -(EVAP) |
| 968B | 591646 | | COVER, Air Cleaner -(Black-Compatible With Canister Style Filter) |
| 994 | 794945 | | ARRESTOR, Spark |
| 1040 | 698368 | | PLATE, Trim |
| 1040A | 697381 | | PLATE, Trim |
| 1266 | 691917 | | SEAL, O-Ring -(Intake Elbow) |



Alternator, Controls, Governor Spring, Ignition

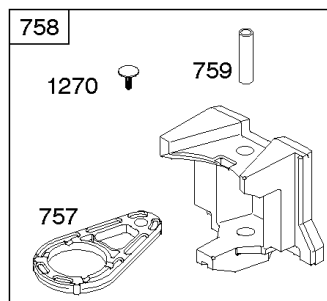
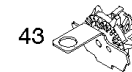
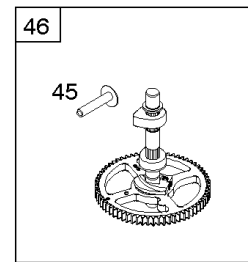
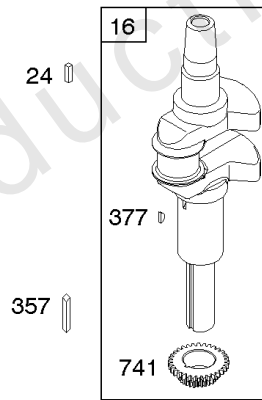
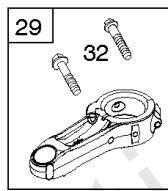
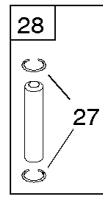
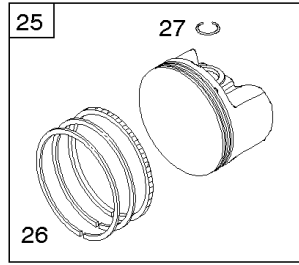
| REF NO | PART NO | QTY | DESCRIPTION |
|--------|---------|-----|--|
| 188 | 691693 | | SCREW -(Control Bracket) |
| 202 | 691841 | | LINK, Mechanical Governor |
| 203 | 691381 | | CRANK, Bell |
| 209 | 792813 | | SPRING, Governor |
| 216 | 691840 | | LINK, Choke |
| 216A | 691281 | | LINK, Choke |
| 222 | 694042 | | BRACKET, Control |
| 227 | 691374 | | LEVER, Governor Control |
| 232 | 691842 | | SPRING, Governor Link |
| 265 | 691024 | | CLAMP, Casing |
| 267 | 794904 | | SCREW -(Casing Clamp) |
| 268 | 691025 | | CASING, Control Wire -(Cut To Required Length) |
| 269 | 691026 | | WIRE, Control -(Cut To Required Length) |
| 270 | 691027 | | NUT -(Control Wire Casing) |
| 271 | 691028 | | LEVER, Control |
| 333 | 799650 | | ARMATURE, Magneto -Used Before Code Date 16080900 |
| 333A | 594626 | | ARMATURE, Magneto -Used After Code Date 16080800 -Used Before Code Date 16100100 |
| 333B | 595304 | | ARMATURE, Magneto -(EMC Compliant) -Used After Code Date 16093000 |
| 334 | 691061 | | SCREW -(Magneto Armature) |
| 356 | 398808 | | WIRE, Stop -(Cut To Required Length) |
| 356A | 697397 | | WIRE, Stop |
| 356B | 697089 | | WIRE, Stop |
| 373 | 691612 | | NUT -(Ground Terminal) |
| 404 | 691691 | | WASHER -(Governor Crank) |
| 474B | 592831 | | ALTERNATOR -(Dual Circuit) |
| 501 | 794360 | | REGULATOR |
| 505 | 691251 | | NUT -(Governor Control Lever) |
| 521 | 690581 | | SHIELD, Cable |
| 526 | 697088 | | SCREW -(Regulator) |
| 526B | 697348 | | SCREW -(Regulator) |
| 562 | 691119 | | BOLT -(Governor Control Lever) |
| 578 | 692306 | | WIRE ASSEMBLY |
| 614 | 691620 | | PIN, Cotter |
| 616 | 692012 | | CRANK, Governor |
| 729 | 691335 | | CLIP, Wire |
| 789 | 698329 | | HARNESS, Wiring |
| 789B | 692037 | | HARNESS, Wiring |
| 789E | 594999 | | HARNESS, Wiring |



Alternator, Controls, Governor Spring, Ignition

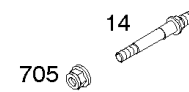
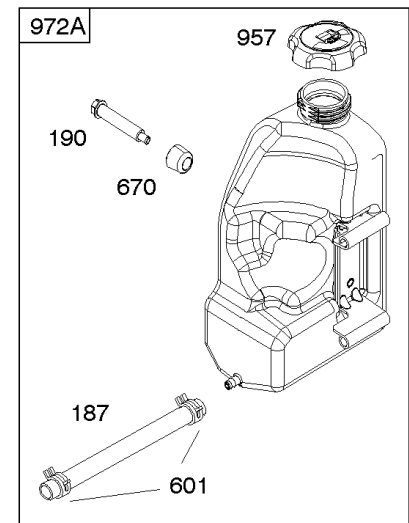
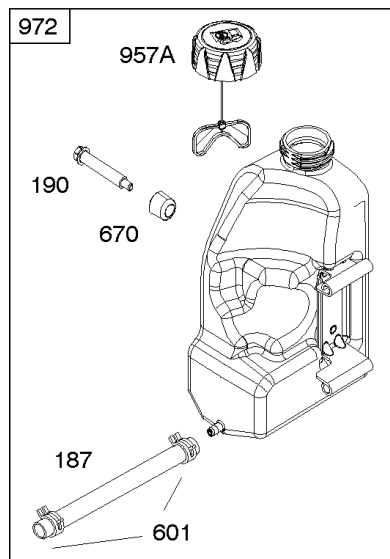
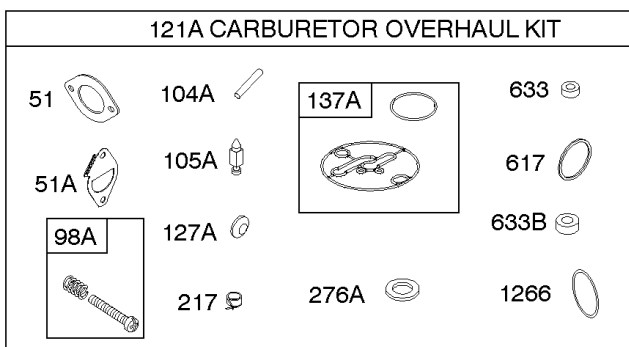
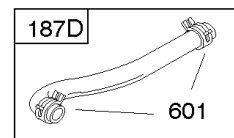
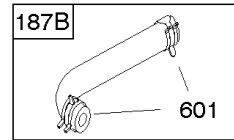
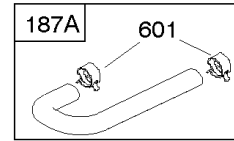
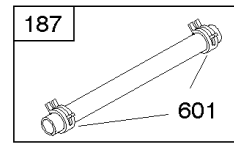
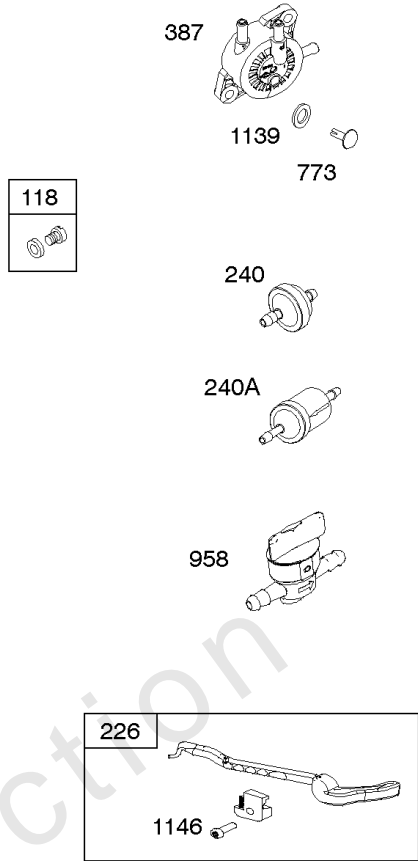
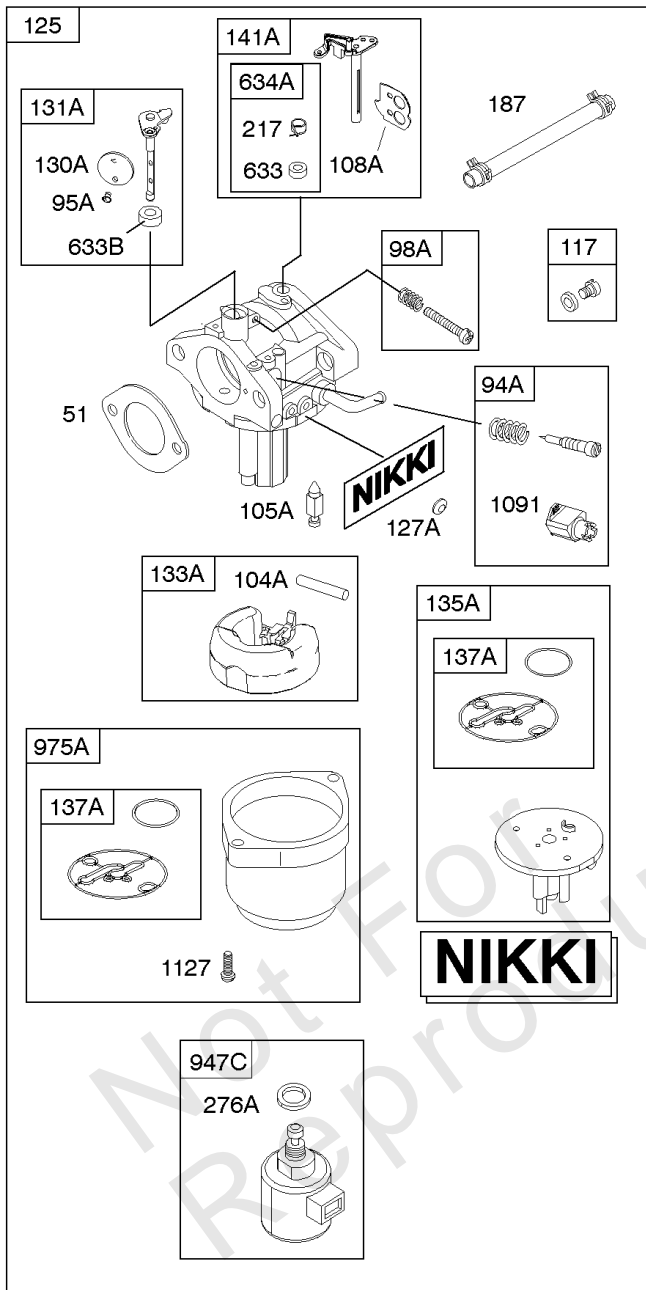
| REF NO | PART NO | QTY | DESCRIPTION |
|--------|---------|-----|---|
| 851 | 692424 | | TERMINAL, Spark Plug |
| 877 | 393456 | | WIRE/CONNECTOR, Alternator -(Dual Circuit) |
| 877D | 790544 | | WIRE/CONNECTOR, Alternator |
| 878 | 398661 | | HARNESS, Wiring -(Dual Circuit) |
| 920 | 691656 | | SOLENOID, Starter |
| 1059 | 698516 | | KIT, Screw/Washer |
| 1119 | 691183 | | SCREW -(Alternator) |
| 1448 | 690260 | | WASHER -(Magneto Armature) |

Not For Reproduction



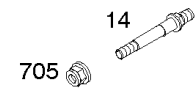
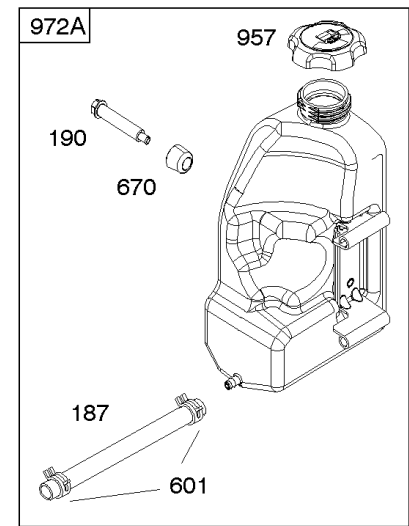
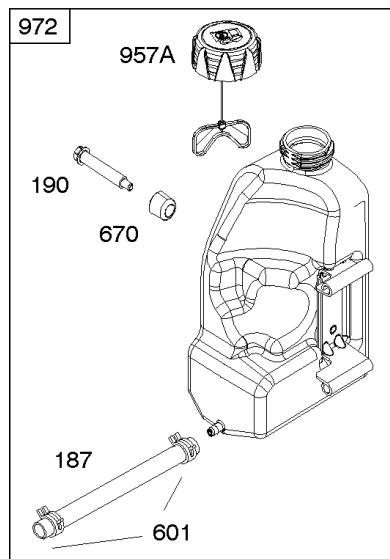
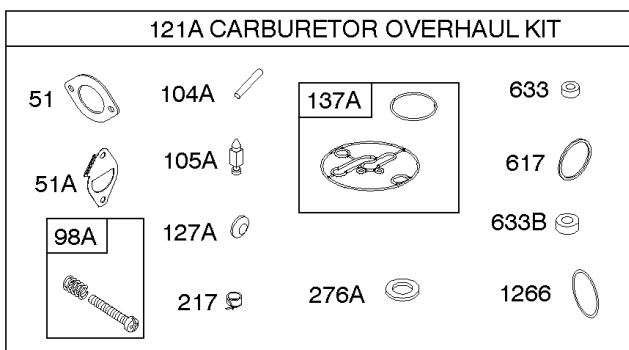
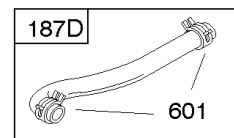
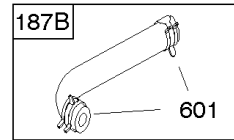
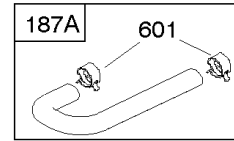
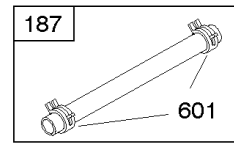
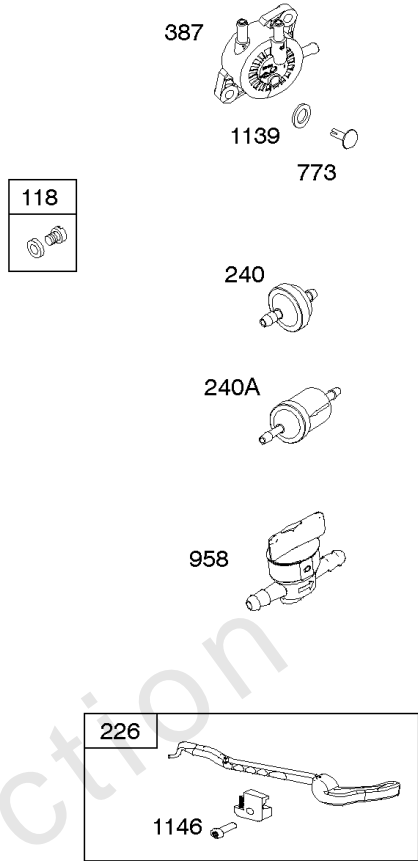
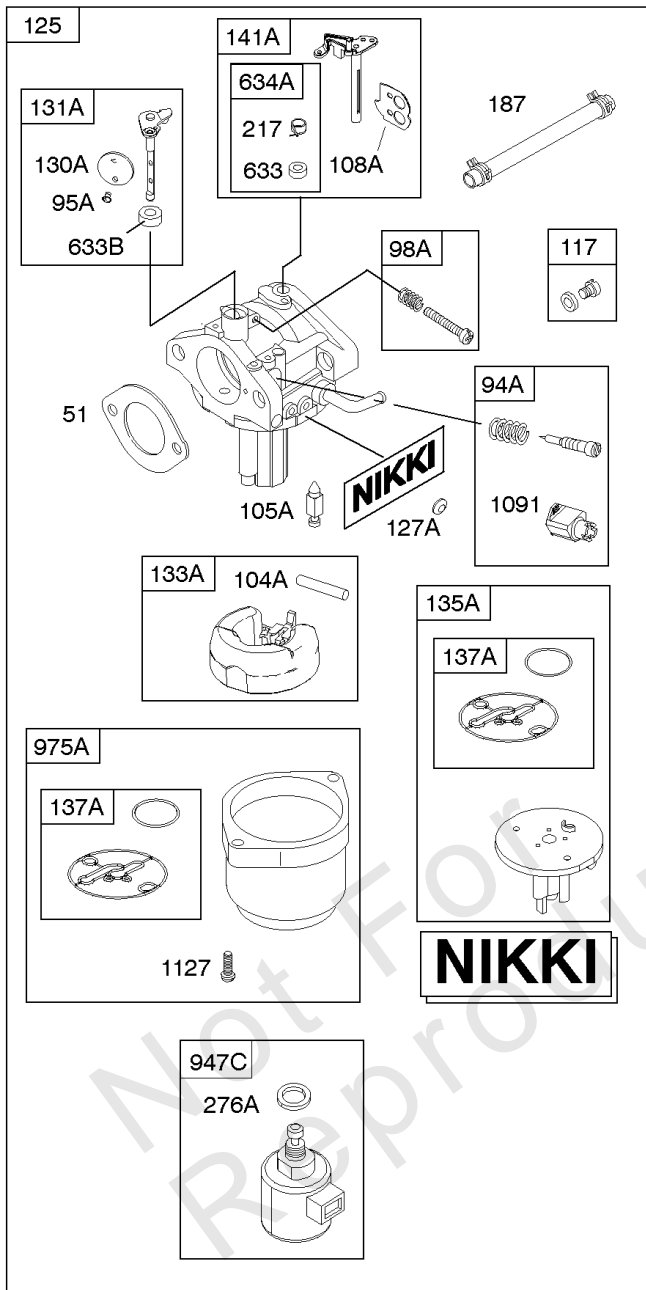
Camshaft, Crankshaft, Counter Weight, Piston, Rings, Connecting Rod

| REF NO | PART NO | QTY | DESCRIPTION |
|---------------|----------------|------------|--------------------------------------|
| 16 | 593417 | | CRANKSHAFT |
| 24 | 591757 | | KEY, Flywheel |
| 25 | 595053 | | PISTON ASSEMBLY -(Standard) |
| 25 | 595054 | | PISTON ASSEMBLY -(.020" Oversize) |
| 26 | 792643 | | SET, Ring -(.020 Oversize) |
| 26 | 797011 | | SET, Ring -(Standard) |
| 27 | 698469 | | LOCK, Piston Pin |
| 28 | 797013 | | PIN, Piston |
| 29 | 791633 | | ROD, Connecting -(Standard) |
| 32 | 791118 | | SCREW -(Connecting Rod) |
| 43 | 691968 | | SLINGER, Governor/Oil |
| 45 | 690564 | | TAPPET, Valve |
| 46 | 793880 | | CAMSHAFT |
| 357 | 691483 | | KEY, Drive Pulley |
| 377 | 691639 | | KEY, Timing |
| 741 | 697128 | | GEAR, Timing |
| 757 | 793242 | | LINK, Counterweight |
| 758 | 593418 | | COUNTERWEIGHT |
| 759 | 697392 | | PIN, Counterweight |
| 1270 | 793243 | | PLUG, AVS Counterweight |



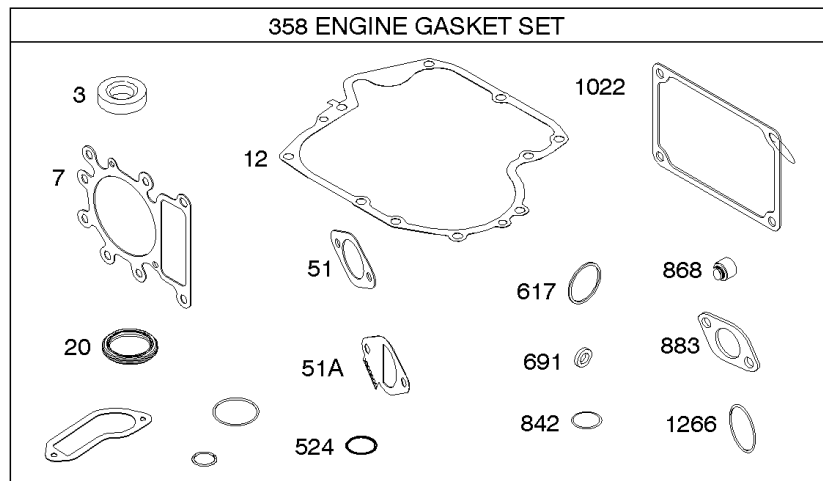
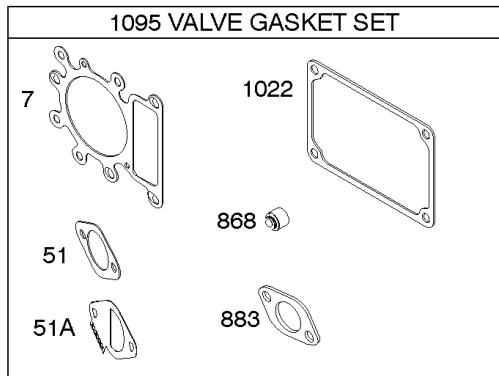
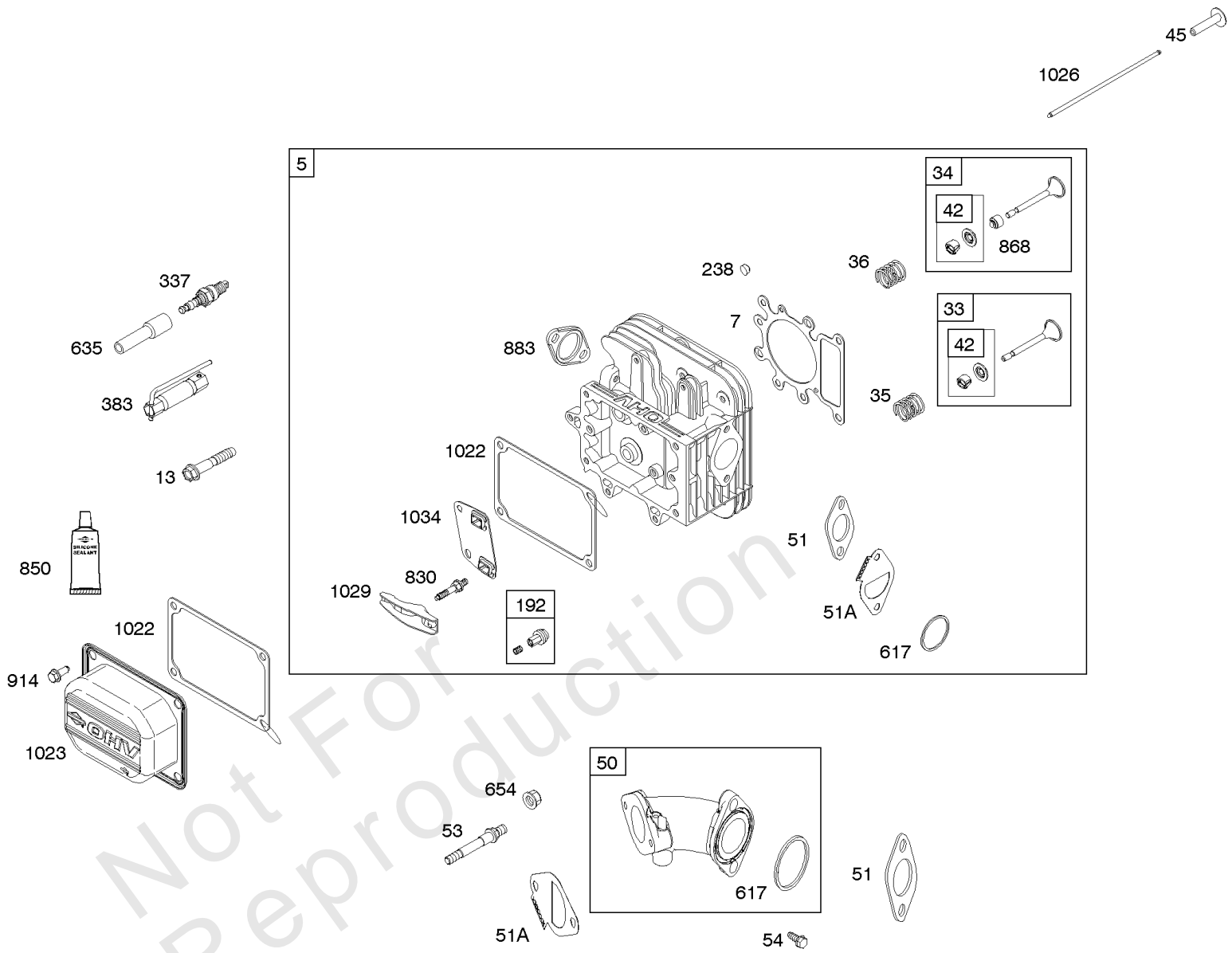
Carburetor, Fuel Supply, Kit - Carburetor Overhaul

| REF NO | PART NO | QTY | DESCRIPTION |
|--------|----------|-----|---|
| 14 | 790560 | | STUD -(Cylinder Head) |
| 51 | 692137 | | GASKET, Intake |
| 51A | 796081 | | GASKET, Intake |
| 94A | 793610 | | KIT, Idle Mixture -(Nikki) |
| 95A | 690718 | | SCREW -(Throttle Valve) (Nikki) |
| 98A | 695408 | | KIT, Idle Speed -(Nikki) |
| 104A | 694918 | | PIN, Float Hinge -(Nikki) |
| 105A | 696136 | | VALVE, Float Needle -(Nikki) |
| 108A | 698773 | | VALVE, Choke -(Nikki) |
| 117 | 591936 | | JET, Main -(Standard) (Standard) |
| 118 | 696134 | | JET, Main -(High Altitude) (5000 Feet) |
| 121A | 796184 | | KIT, Carburetor Overhaul -(Nikki) |
| 125 | 590400 | | CARBURETOR -(Nikki With Solenoid) |
| 127A | 690727 | | PLUG, Welch -(Nikki) |
| 130A | 698774 | | VALVE, Throttle -(Nikki) |
| 131A | 698776 | | KIT, Throttle Shaft -(Nikki) |
| 133A | 694914 | | FLOAT, Carburetor -(Nikki) |
| 135A | 698780 | | TUBE, Fuel Transfer -(Nikki)(Gravity Feed)(Does Not Include Jet) |
| 137A | 698781 | | GASKET, Float Bowl -(Nikki) |
| 141A | 698778 | | KIT, Choke Shaft -(Nikki) |
| 187 | 791766 | | LINE, Fuel -(15" Long)(Cut to Required Length) |
| 187A | 796491 | | LINE, Fuel -(Formed)(Cut To Required Length) |
| 187B | 791805 | | LINE, Fuel -(Formed)(Cut To Required Length) |
| 187D | 791744 | | LINE, Fuel -(Formed)(Cut To Required Length) |
| 190 | 796174 | | SCREW -(Fuel Tank) |
| 217 | 695409 | | SPRING, Choke Return |
| 226 | 793386 | | KIT, Choke Shaft -(Manual Choke) |
| 240 | 394358S | | FILTER, Fuel -(White, 75 Microns) |
| 240A | 84001895 | | FILTER, Fuel |
| 276A | 695410 | | WASHER, Sealing |
| 387 | 808656 | | PUMP, Fuel |
| 601 | 791850 | | CLAMP, Hose -(Green) |
| 617 | 692138 | | SEAL, O-Ring -(Intake Manifold) |



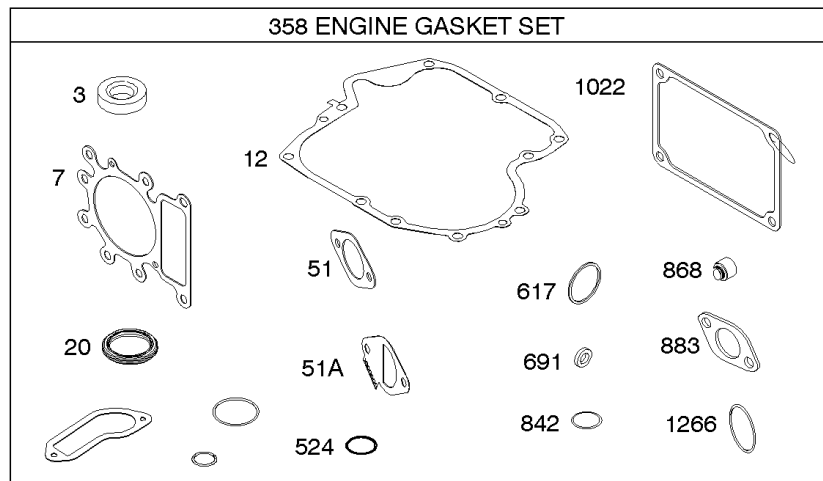
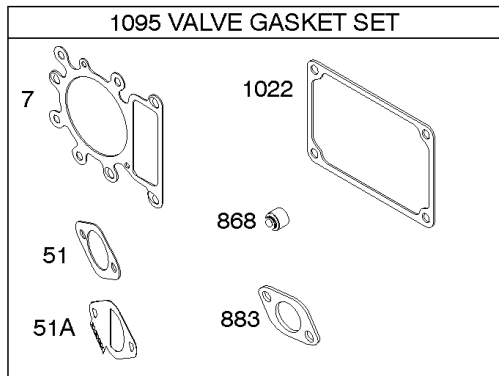
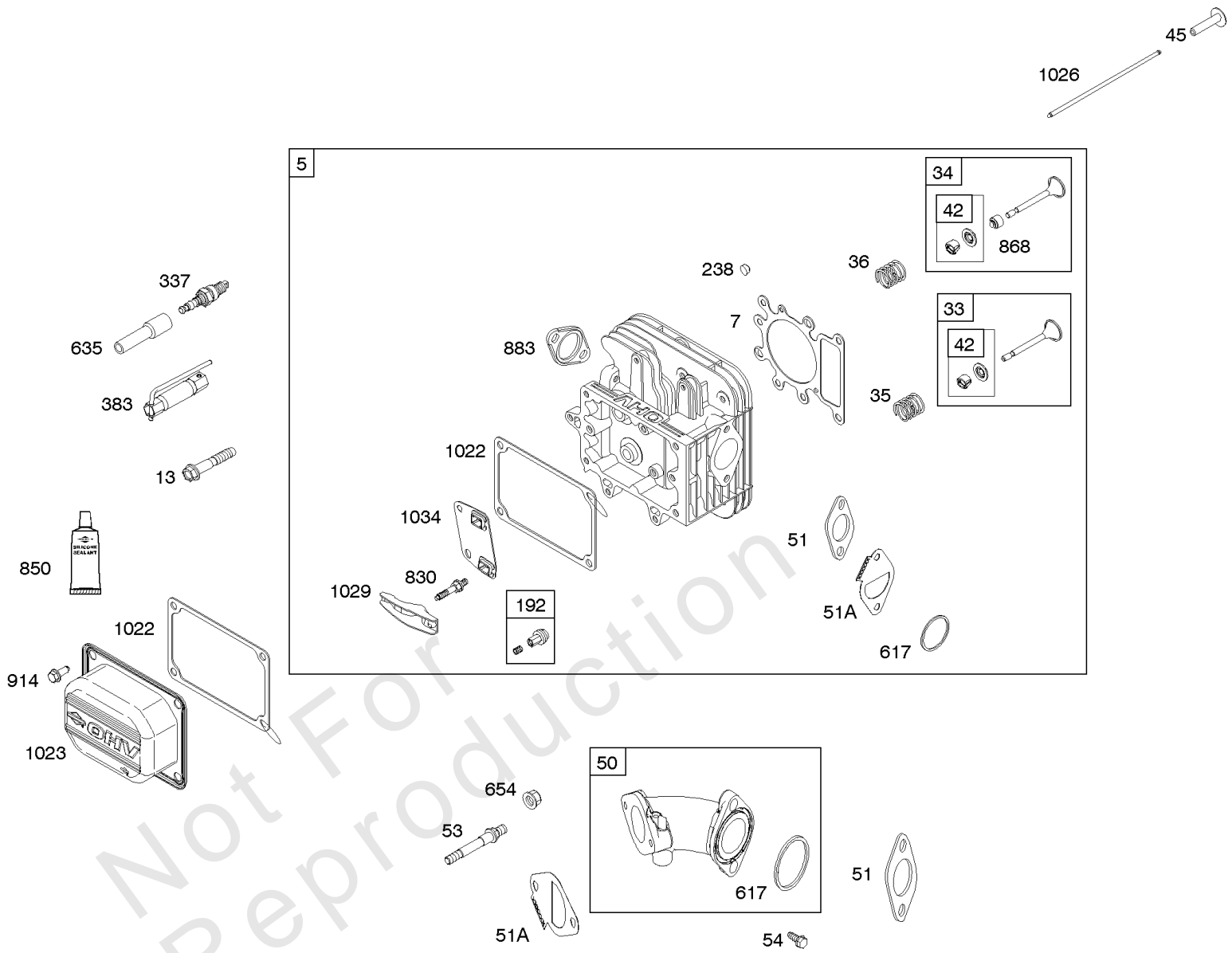
Carburetor, Fuel Supply, Kit - Carburetor Overhaul

| REF NO | PART NO | QTY | DESCRIPTION |
|--------|---------|-----|--|
| 633 | 699813 | | SEAL, Choke/Throttle Shaft -(Nikki) |
| 633B | 690998 | | SEAL, Choke/Throttle Shaft -(Nikki) |
| 634A | 698779 | | SPRING/SEAL ASSEMBLY -(Nikki) |
| 670 | 796175 | | SPACER, Fuel Tank |
| 705 | 790561 | | NUT -(Fuel Tank) |
| 773 | 796448 | | RETAINER |
| 947C | 699915 | | SOLENOID, Fuel |
| 957 | 795027 | | CAP, Fuel Tank -(Standard) |
| 957A | 799719 | | CAP, Fuel Tank -(Carbon In Cap) |
| 958 | 698183 | | VALVE, Fuel Shut Off |
| 972 | 799111 | | TANK, Fuel -(Fluorinated) |
| 975A | 699502 | | BOWL, Float -(Nikki) |
| 1091 | 691333 | | CAP, Limiter |
| 1127 | 695407 | | SCREW -(Float Bowl) (Float Bowl to Carburetor Body) |
| 1139 | 796449 | | WASHER -(Fuel Pump Bracket) |
| 1146 | 793380 | | SCREW -(Choke Shaft) (Manual Choke) |
| 1266 | 691917 | | SEAL, O-Ring -(Intake Elbow) |



Cylinder Head, Gasket Set - Engine, Gasket Set - Valve, Intake Manifold, Valves

| REF NO | PART NO | QTY | DESCRIPTION |
|--------|---------|-----|---|
| 3 | 391086S | | SEAL, Oil -(Magneto Side) |
| 5 | 796183 | | HEAD, Cylinder |
| 7 | 273280S | | GASKET, Cylinder Head |
| 12 | 697110 | | GASKET, Crankcase -(.015" Thick)(Standard) |
| 13 | 690360 | | SCREW -(Cylinder Head) |
| 20 | 795387 | | SEAL, Oil -(PTO Side) |
| 33 | 792868 | | VALVE, Exhaust -(Chrome) |
| 34 | 791935 | | VALVE, Intake |
| 35 | 691279 | | SPRING, Valve -(Intake) |
| 36 | 691279 | | SPRING, Valve -(Exhaust) |
| 42 | 499586 | | KEEPER, Valve |
| 45 | 690564 | | TAPPET, Valve |
| 50 | 592845 | | MANIFOLD, Intake |
| 51 | 692137 | | GASKET, Intake |
| 51A | 796081 | | GASKET, Intake |
| 53 | 591260 | | STUD -(Carburetor) |
| 54 | 691148 | | SCREW -(Intake Manifold) |
| 192 | 691986 | | ADJUSTER, Rocker Arm |
| 238 | 691843 | | CAP, Valve |
| 337 | 491055S | | PLUG, Spark -(Resistor) |
| 337 | 792015 | | PLUG, Spark -(Resistor EMS) |
| 358 | 796181 | | GASKET SET, Engine |
| 383 | 19576S | | WRENCH, Spark Plug |
| 524 | 691032 | | SEAL, O-Ring -(With Side Tube Connector) |
| 617 | 692138 | | SEAL, O-Ring -(Intake Manifold) |
| 635 | 691909 | | BOOT, Spark Plug |
| 654 | 690958 | | NUT -(Carburetor) |
| 691 | 692407 | | SEAL, Governor Shaft |
| 830 | 691095 | | STUD, Rocker Arm |
| 842 | 691031 | | SEAL, O-Ring -(Dipstick Tube) |
| 850 | 100106 | | SEALANT, Liquid -(Rocker Cover Gasket and Breather Gasket) |
| 868 | 690968 | | SEAL, Valve |
| 883 | 692236 | | GASKET, Exhaust |
| 914 | 691108 | | SCREW -(Rocker Cover) |
| 1022 | 272475S | | GASKET, Rocker Cover |
| 1023 | 797421 | | COVER, Rocker |
| 1026 | 794573 | | ROD, Push -(Exhaust) |
| 1026 | 697394 | | ROD, Push -(Intake) |



Cylinder Head, Gasket Set - Engine, Gasket Set - Valve, Intake Manifold, Valves

| REF NO | PART NO | QTY | DESCRIPTION |
|---------------|----------------|------------|---------------------------------|
| 1029 | 691751 | | ARM, Rocker |
| 1034 | 690822 | | GUIDE, Push Rod |
| 1095 | 796189 | | GASKET SET, Valve |
| 1266 | 691917 | | SEAL, O-Ring -(Intake Elbow) |

Not For Reproduction

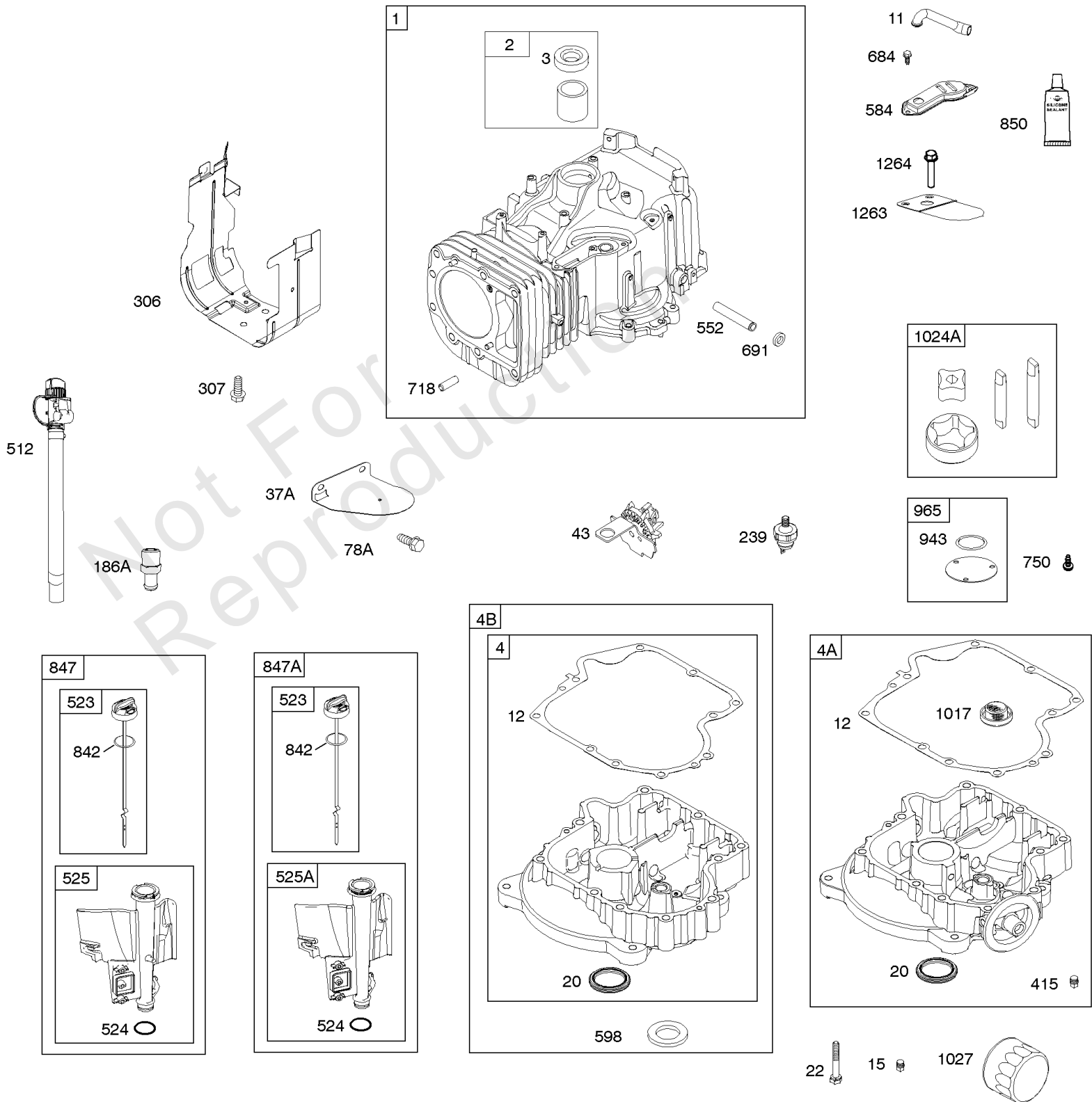
1319 WARNING LABEL

REQUIRED when replacing parts with warning labels affixed.

1319A WARNING LABEL

REQUIRED when replacing parts with warning labels affixed.

1036 EMISSIONS LABEL



Cylinder, Engine Sump, Lubrication, Oil Fill

| REF NO | PART NO | QTY | DESCRIPTION |
|--------|---------|-----|---|
| 1 | 697377 | | CYLINDER ASSEMBLY |
| 2 | 797673 | | KIT, Bushing/Seal -(Magneto Side) |
| 3 | 391086S | | SEAL, Oil -(Magneto Side) |
| 4 | 697106 | | SUMP, Engine |
| 11 | 794683 | | TUBE, Breather |
| 12 | 697110 | | GASKET, Crankcase -(.015" Thick)(Standard) |
| 15 | 690946 | | PLUG, Oil Drain -(3/8" Standard) |
| 20 | 795387 | | SEAL, Oil -(PTO Side) |
| 22 | 692125 | | SCREW -(Crankcase Cover/Sump) |
| 37A | 697626 | | GUARD, Flywheel |
| 43 | 691968 | | SLINGER, Governor/Oil |
| 78A | 690364 | | SCREW -(Flywheel Guard) |
| 186A | 796532 | | CONNECTOR, Hose |
| 239 | 694115 | | SWITCH, Oil Pressure |
| 306 | 592778 | | SHIELD, Cylinder |
| 307 | 691693 | | SCREW -(Cylinder Shield) |
| 415 | 794903 | | PLUG |
| 512 | 594200 | | HOSE, Oil Drain |
| 523 | 699908 | | DIPSTICK |
| 524 | 691032 | | SEAL, O-Ring -(With Side Tube Connector) |
| 525 | 697085 | | TUBE, Dipstick -(With Side Tube Connector) |
| 525A | 697184 | | TUBE, Dipstick -(Standard Dipstick Tube) |
| 552 | 697144 | | BUSHING, Governor Crank |
| 584 | 794682 | | COVER, Breather Passage -(Use with Liquid Sealant Reference 850) |
| 598 | 799739 | | SHIM, End Play -(Crankshaft or Camshaft Bearing) |
| 684 | 697157 | | SCREW -(Breather Passage Cover) |
| 691 | 692407 | | SEAL, Governor Shaft |
| 718 | 690959 | | PIN, Locating |
| 750 | 790832 | | SCREW -(Oil Pump Cover) |
| 842 | 691031 | | SEAL, O-Ring -(Dipstick Tube) |
| 847 | 790443 | | DIPSTICK/TUBE ASSEMBLY -(With Side Tube Connector) |
| 847A | 790442 | | DIPSTICK/TUBE ASSEMBLY -(Standard Dipstick Tube) |
| 850 | 100106 | | SEALANT, Liquid -(Rocker Cover Gasket and Breather Gasket) |
| 943 | 690589 | | SEAL, O-Ring -(Oil Pump Cover) |
| 965 | 499613 | | COVER, Oil Pump |
| 1017 | 796981 | | SCREEN, Oil Pump |
| 1024A | 794644 | | SHAFT, Pump |

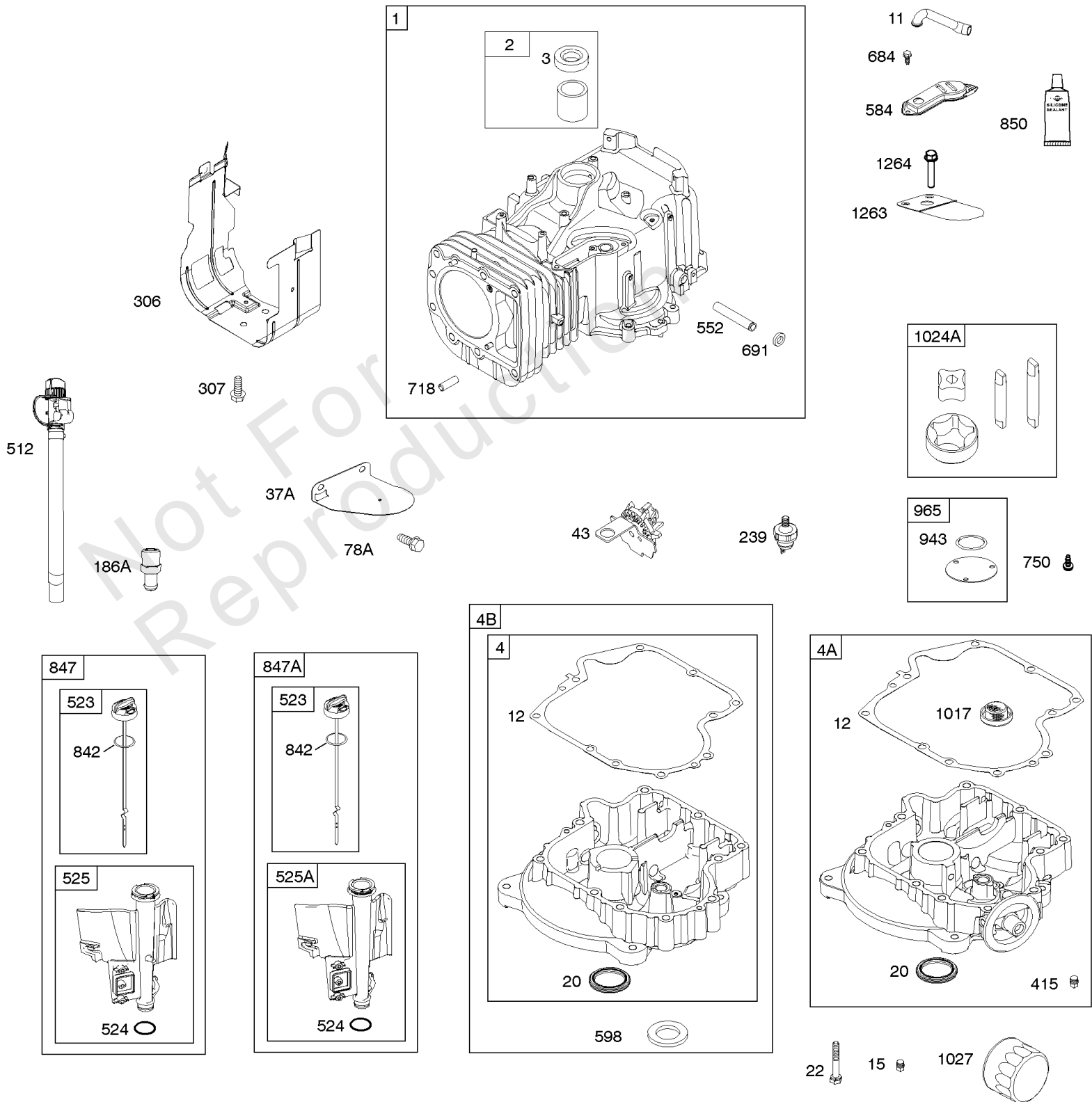
1319 WARNING LABEL

REQUIRED when replacing parts with warning labels affixed.

1319A WARNING LABEL

REQUIRED when replacing parts with warning labels affixed.

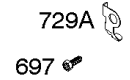
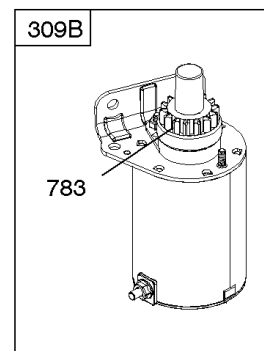
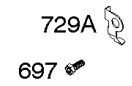
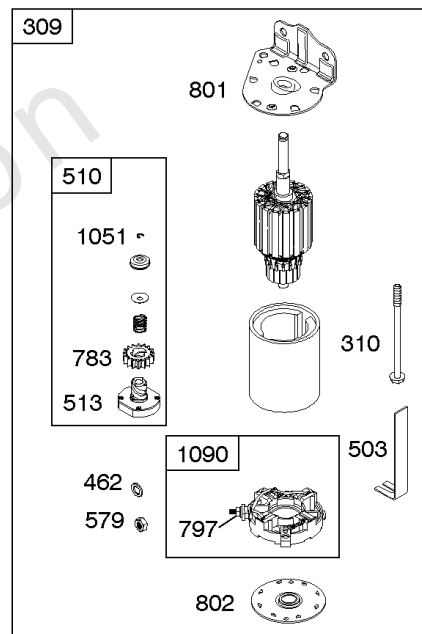
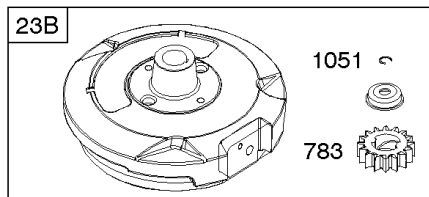
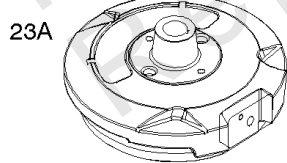
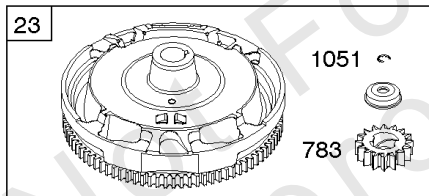
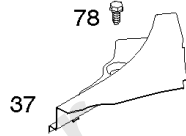
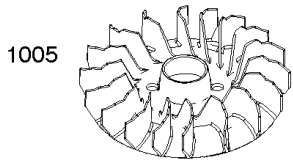
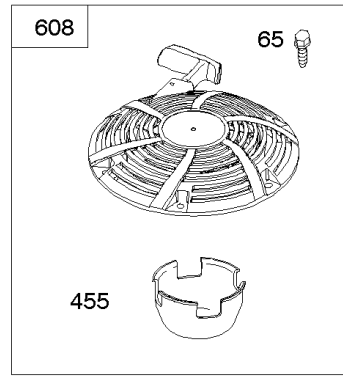
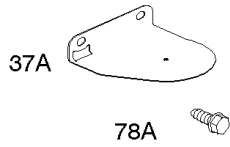
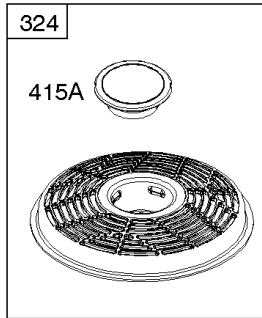
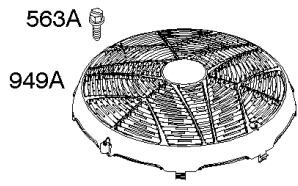
1036 EMISSIONS LABEL



Cylinder, Engine Sump, Lubrication, Oil Fill

| REF NO | PART NO | QTY | DESCRIPTION |
|--------|---------|-----|--|
| 1027 | 492932S | | FILTER, Oil -(Standard)(Black) |
| 1027 | 696854 | | FILTER, Oil -(Premium)(Yellow) |
| 1027 | 798576 | | FILTER, Oil -(Premium)(Orange) |
| 1036 | ----- | | Label-Emissions -(Available From A Briggs & Stratton Authorized Dealer) |
| 1263 | 697124 | | REED, Breather |
| 1264 | 697104 | | SCREW -(Breather Reed) |
| 1319 | 794467 | | LABEL, Warning |
| 1319A | 797669 | | LABEL, Warning |

Not For Reproduction



Electric & Rewind Starter, Flywheel

| REF NO | PART NO | QTY | DESCRIPTION |
|--------|---------|-----|---------------------------------------|
| 23 | 591759 | | FLYWHEEL |
| 24 | 591757 | | KEY, Flywheel |
| 37 | 697352 | | GUARD, Flywheel |
| 37A | 697626 | | GUARD, Flywheel |
| 65 | 690940 | | SCREW -(Rewind Starter) |
| 78 | 691693 | | SCREW -(Flywheel Guard) |
| 78A | 690364 | | SCREW -(Flywheel Guard) |
| 309 | 593934 | | MOTOR, Starter |
| 310 | 690323 | | BOLT -(Starter Motor) |
| 324 | 593933 | | SCREEN/CUP ASSEMBLY |
| 363 | 19203 | | PULLER, Flywheel |
| 415A | 794129 | | PLUG -(Cover/Retainer) |
| 455 | 796615 | | CUP, Flywheel -(Non Washable) |
| 462 | 691261 | | WASHER -(Starter Cable) |
| 503 | 691532 | | STRAP, Starter |
| 510 | 693699 | | DRIVE, Starter |
| 513 | 692024 | | CLUTCH, Drive |
| 563A | 799359 | | SCREW -(Debris Screen Guard) |
| 579 | 691029 | | NUT -(Starter Cable) |
| 608 | 591606 | | STARTER, Rewind |
| 697 | 791680 | | SCREW -(Starter Motor) (Drive Cap) |
| 729A | 691224 | | CLIP, Wire -(Starter Motor) |
| 783 | 593935 | | GEAR, Pinion |
| 797 | 693167 | | NUT -(Brush Retainer) |
| 801 | 691283 | | CAP, Drive |
| 802 | 691286 | | CAP, End |
| 949A | 799358 | | GUARD, Debris Screen |
| 1005 | 796082 | | FAN, Flywheel |
| 1044 | 698139 | | SCREW -(Flywheel) |
| 1051 | 691265 | | RING, Retaining |
| 1090 | 691293 | | RETAINER, Brush |

Replacement Engine - US & Canada

| REF NO | PART NO | QTY | DESCRIPTION |
|--------|------------|-----|---|
| | 592055 | 1 | Replacement Short Block |
| | 21R8070051 | 1 | Replacement Engine |
| | ----- | | Top No-Load Speed: 3400 -Trim: ALL |
| | ----- | | Short Block Note: Engines Built Prior to 07/12/2012 should use short block 697740. Engines built on or after 07/12/2012 should use short block 592055. |

Not For Reproduction

