



# Parts Manual

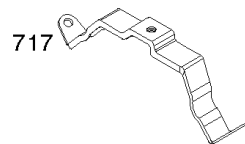
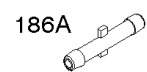
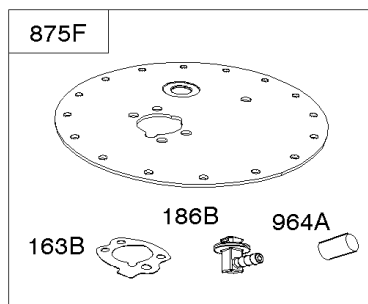
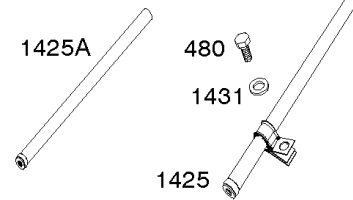
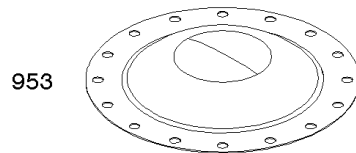
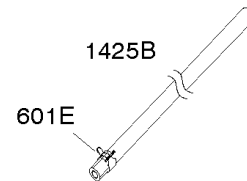
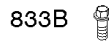
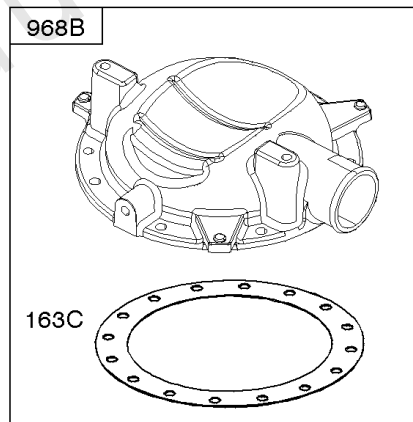
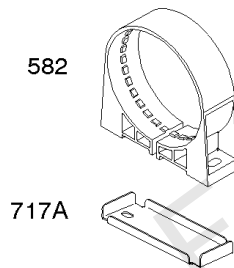
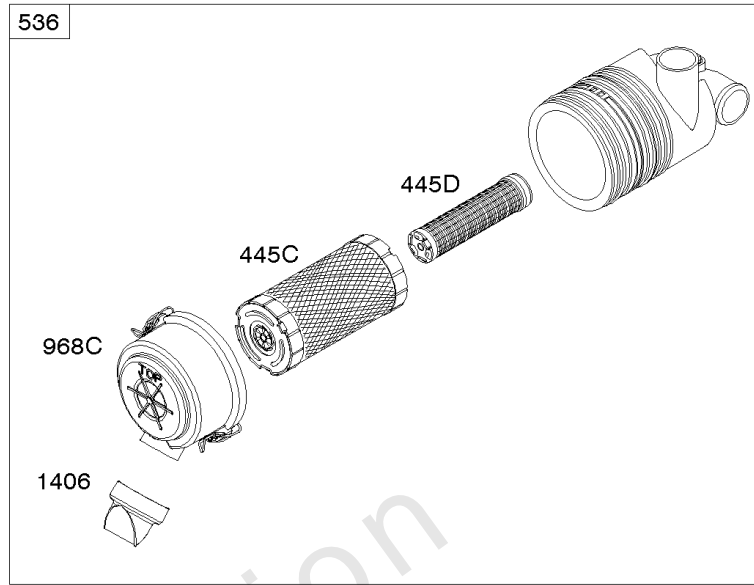
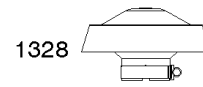
Mfg. No: 356447-0566-F1



---

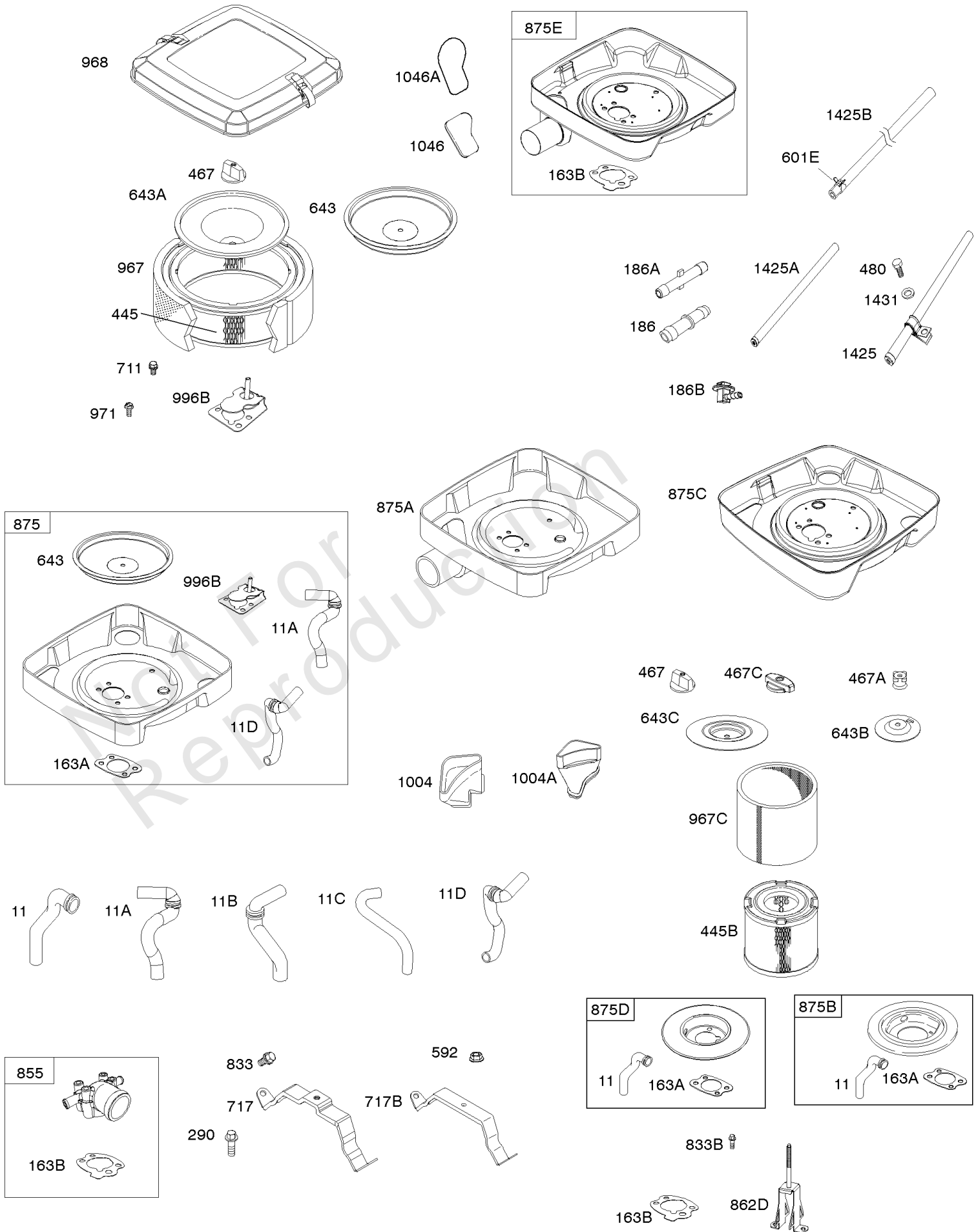
Model Components	Page
Air Cleaner.....	6
Alternator, Ignition, Switches.....	10
Blower Housing, Rewind Starter.....	14
Camshaft, Crankshaft, Cylinder, Piston, Rings, Connecting Rod, Breather.....	16
Carburetor.....	22
Carburetor Overhaul Kit, Engine & Valve Set.....	26
Controls, Governor Spring.....	28
Crankcase Cover, Intake Manifold.....	32
Cylinder Head, Valves, Valve Covers.....	36
Electronic Governor.....	40
Exhaust System.....	42
Flywheel, Rotating Screen, Stub Shaft.....	46
Fuel Supply.....	48
Lubrication.....	52
Replacement Engine - US & Canada.....	54
Shrouds.....	55
Starter - Electric #1.....	57
Starter - Electric #2.....	59

Not For  
Reproduction



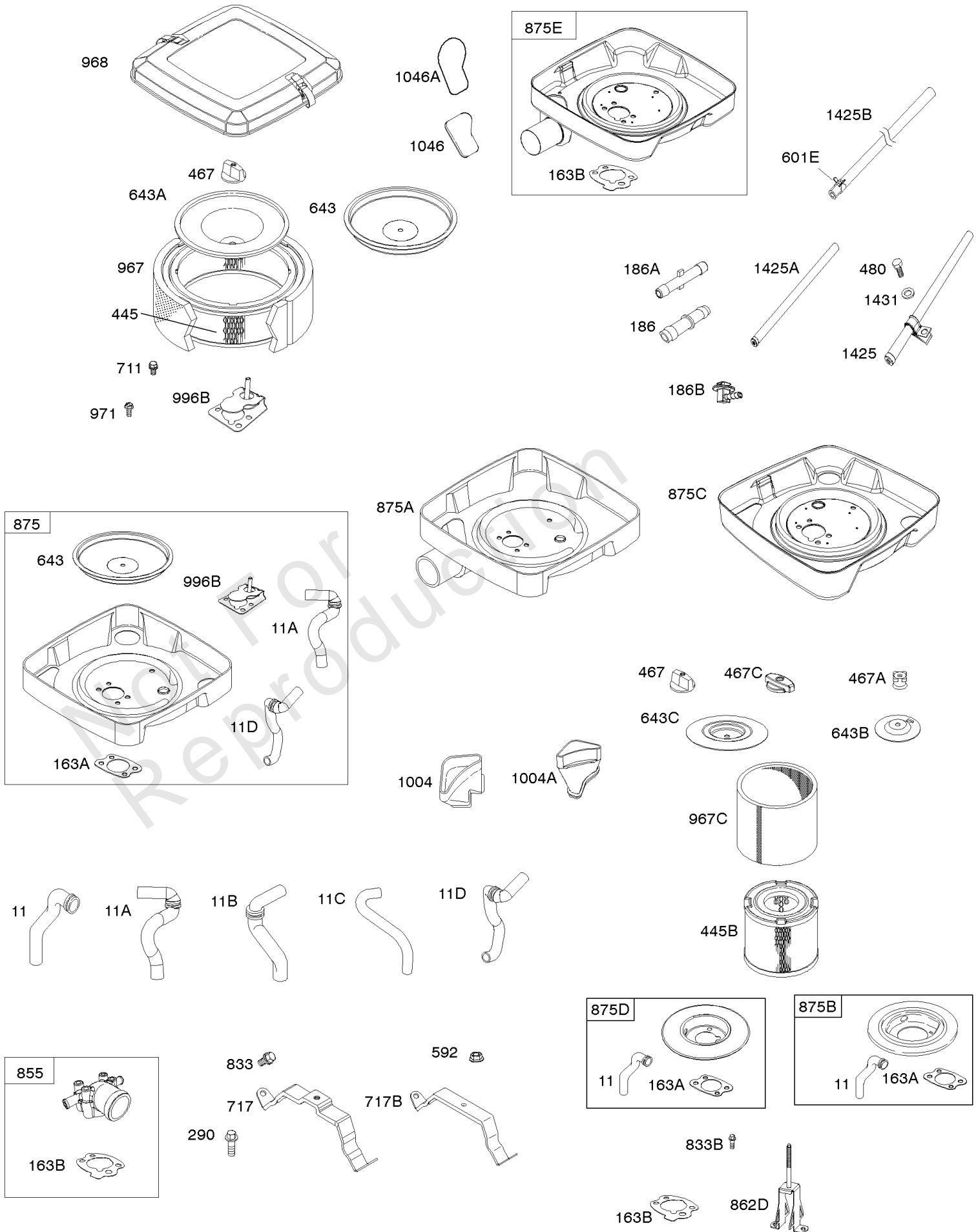
## Air Cleaner

REF NO	PART NO	QTY	DESCRIPTION
163B	844931		GASKET, Air Cleaner
163C	841823		GASKET, Air Cleaner -(Air Cleaner)
186	844032		CONNECTOR, Hose
186A	845121		CONNECTOR, Hose
186B	845141		CONNECTOR, Hose
276B	806137		WASHER, Sealing -(Solenoid)
480	806660		SCREW -(Tube Clamp) (M8x18mm)
536	809670		CLEANER, Air
582	809878		CLAMP, Air Cleaner
601E	593879		CLAMP, Hose
717	692153		BRACKET, Air Cleaner
833B	691593		SCREW -(Air Cleaner Mounting Strap/Stud) (M6x12mm)
875F	844996		BASE, Air Cleaner
953	845030		SCREEN, Air Cleaner
964A	807468		CAP, Carburetor
968B	841822		COVER, Air Cleaner
971	807084		SCREW -(Air Cleaner Base to Carburetor/Throttle Body) (M6x14mm)
1046	692082		PLUG, Blower Housing
1406	842623		VALVE, Debris
1425	844712		HOSE, Purge Line
1431	844035		WASHER -(Tube Clamp)



## Air Cleaner

REF NO	PART NO	QTY	DESCRIPTION
11	691556		TUBE, Breather
11A	844921		TUBE, Breather -Used After Code Date 09122200
11B	806083S		TUBE, Breather -Used Before Code Date 09122300
163A	692081		GASKET, Air Cleaner -(Air Cleaner)
163B	844931		GASKET, Air Cleaner
186	844032		CONNECTOR, Hose
186A	845121		CONNECTOR, Hose
186B	845141		CONNECTOR, Hose
290	809911		SCREW -(Intake Elbow)
445	394018S		FILTER, A/C Cartridge
445B	845090		FILTER, A/C Cartridge -Used After Code Date 11042700
445B	393957S		FILTER, A/C Cartridge -Used Before Code Date 11042800
467	844618		KNOB, Air Cleaner Cover -Used After Code Date 10033100 -Used Before Code Date 14102400
467	691985		KNOB, Air Cleaner Cover -Used Before Code Date 10040100
467A	691668		KNOB, Air Cleaner Cover
467C	846431		KNOB, Air Cleaner Cover -Used After Code Date 14102300
480	806660		SCREW -(Tube Clamp) (M8x18mm)
592	690939		NUT -(Rewind Starter) (M6)
601E	593879		CLAMP, Hose
643C	845087		RETAINER, Air Filter
711	841233		SCREW -(Carburetor Shield)
717	692153		BRACKET, Air Cleaner
717B	692542		STRAP/STUD, Air Cleaner Mounting
833	841233		SCREW -(Air Cleaner Mounting Strap/Stud)
833B	691593		SCREW -(Air Cleaner Mounting Strap/Stud) (M6x12mm)
855	845586		ADAPTER, Air Cleaner
862D	845089		STRAP/STUD, Air Cleaner Mounting -Used After Code Date 09123100
862D	691565		STRAP/STUD, Air Cleaner Mounting -Used Before Code Date 10010100
875	846046		BASE, Air Cleaner
875D	845088		BASE, Air Cleaner
967	272490S		FILTER, Pre Cleaner
967C	271794S		FILTER, Pre Cleaner
968	699959		COVER, Air Cleaner -(With Clips)
971	807084		SCREW -(Air Cleaner Base to Carburetor/Throttle Body) (M6x14mm)
1004	842258		DUCT, Air
1004A	841656		DUCT, Air
1046	692082		PLUG, Blower Housing
1046A	843068		PLUG, Blower Housing





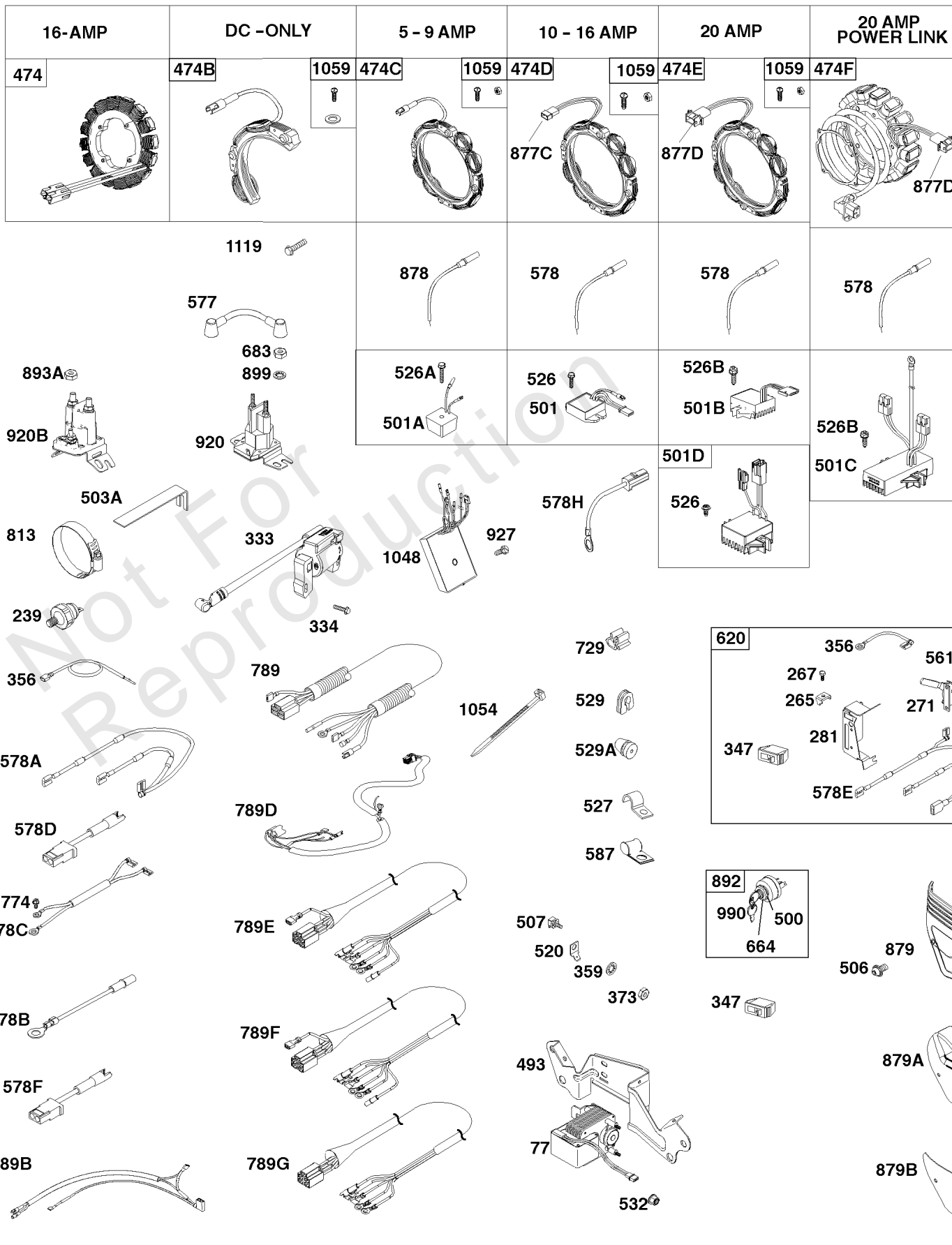
## *Air Cleaner*

---

REF NO	PART NO	QTY	DESCRIPTION
1425	844712		HOSE, Purge Line
1431	844035		WASHER -(Tube Clamp)

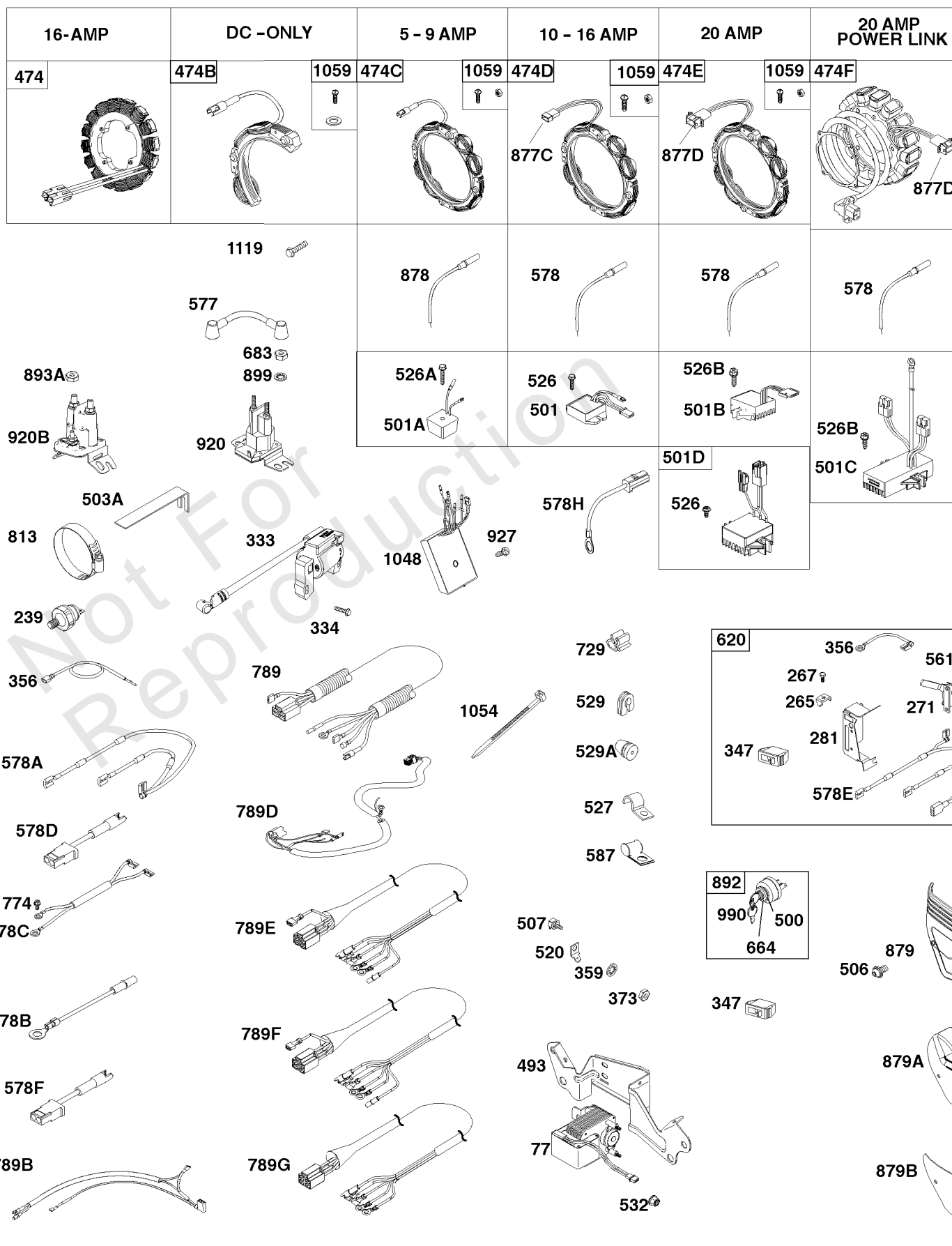
---

Not For Reproduction



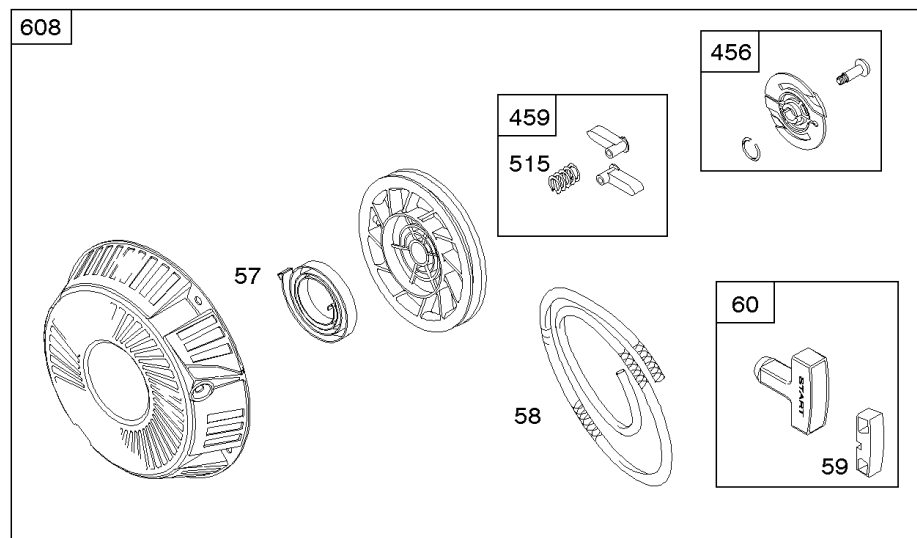
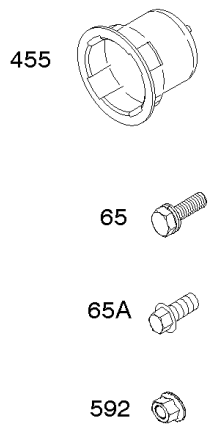
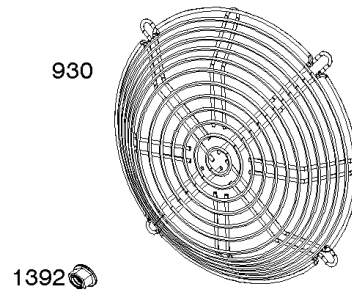
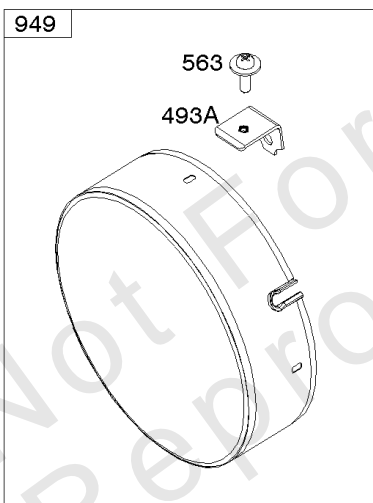
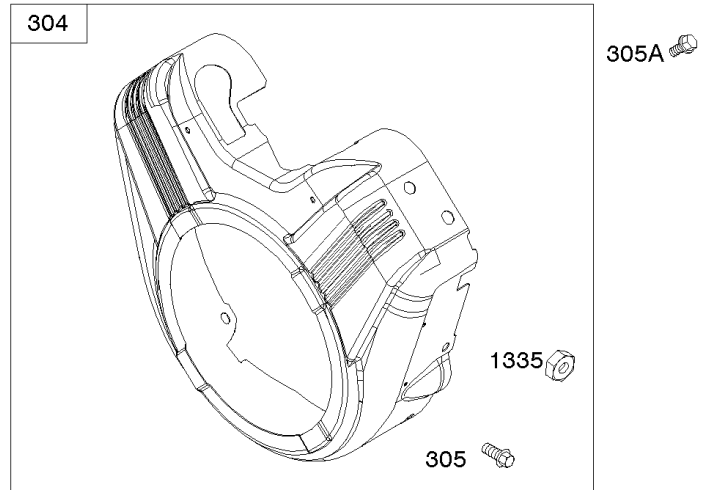
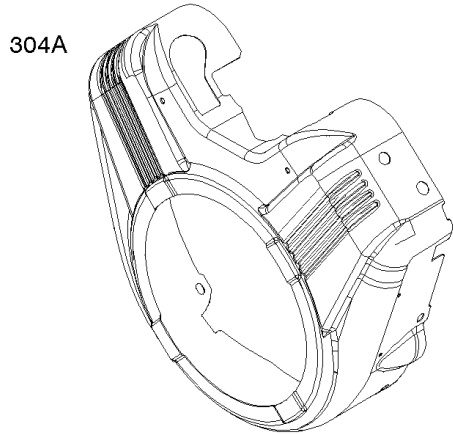
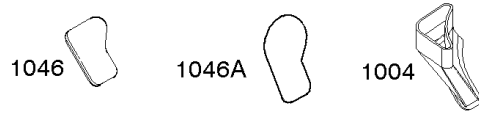
## Alternator, Ignition, Switches

REF NO	PART NO	QTY	DESCRIPTION
20	805049S		SEAL, Oil -(PTO Side)
77	-----		Motor-Servo -(Motor-Servo is No Longer Available)(See ref#1463 for Replacement Kit)
239	690233		SWITCH, Oil Pressure
265	691024		CLAMP, Casing
267	692083		SCREW -(Casing Clamp)
267	841552		SCREW -(Casing Clamp) (M5x20mm)
271	692541		LEVER, Control
281	690742		PANEL, Control
333	845606		ARMATURE, Magneto
334	692066		SCREW -(Magneto Armature)
347	795333		SWITCH, Rocker
356	690796		WIRE, Stop -(Control Panel)
359	691077		WASHER -(Ground Terminal)
373	691612		NUT -(Ground Terminal)
474D	592830		ALTERNATOR -(10-16 Amp Regulated)
493	691518		BRACKET, Mounting
500	691086		WASHER -(Key Switch)
501	845907		REGULATOR
503A	845016		STRAP, Starter -(60mm )
506	807120		SCREW -(Carburetor/EFI Cover)
507	691972		INSULATOR
520	691084		TERMINAL, Ground
526	692067		SCREW -(Regulator) (M6x12mm)
526B	691547		SCREW -(Regulator) (M6x28mm)
527	690423		CLAMP, Tube
529	690744		GROMMET
529A	691527		GROMMET
532	691115		NUT -(Mounting Bracket)
561	690713		NUT -(Control Lever)
577	690795		CABLE, Starter
578	692306		WIRE ASSEMBLY
578A	844547		WIRE ASSEMBLY
578B	845849		WIRE ASSEMBLY
578E	691999		WIRE ASSEMBLY
578C	690809		WIRE ASSEMBLY
587	807116		CLAMP, Cable
620	494052		BRACKET, Control -(Ignition Coil)
664	691087		NUT -(Key Switch)



## Alternator, Ignition, Switches

REF NO	PART NO	QTY	DESCRIPTION
683	691029		NUT -(Starter Solenoid)
729	690586		CLIP, Wire
774	692067		SCREW -(Stop Wire) (M6x12mm)
789E	846767		HARNESS, Wiring -Used After Code Date 15061500
813	690635		CLAMP
877C	399916		WIRE/CONNECTOR, Alternator -(2 Wires, 7-53/64 )(2 Bare Wire Ends, And Insulated Snap ConnectMale Pin Terminal)
877D	698092		WIRE/CONNECTOR, Alternator
878	691362		HARNESS, Wiring
879A	842132		COVER, Carburetor/EFI
892	692318		SWITCH, Key
893A	691029		NUT -(Starter Solenoid)
899	691077		WASHER -(Starter Solenoid)
920	691656		SOLENOID, Starter
920B	846820		SOLENOID, Starter
990	691959		SET, Key
1048	690669		MODULE, Electronic Governor
1054	280275		TIE, Cable
1059	698516		KIT, Screw/Washer
1119	691552		SCREW -(Alternator) (M4x30mm)



## Blower Housing, Rewind Starter

REF NO	PART NO	QTY	DESCRIPTION
57	692086	1	SPRING, Rewind Starter
58	66574	1	ROPE, Starter
59	805957	1	INSERT, Grip
60	808167	1	GRIP, Starter Rope
65	690341		SCREW -(Rewind Starter) (5/16-18 x 0.875) -Used Before Code Date 14112700
65	846234		SCREW -(Rewind Starter) (M8x22mm) -Used After Code Date 14112600
65A	841233		SCREW -(Rewind Starter) (M6x10mm)
304	844153	1	HOUSING, Blower -(Compatible On Engines Without Oil Cooler)
304A	842742	1	HOUSING, Blower -(Compatible On Engines With Oil Cooler)
305	692056		SCREW -(Blower Housing) (M8x14mm)
305	692551		SCREW -(Blower Housing) (1/4-20 X 1.16Lg)
305A	841233		SCREW -(Blower Housing) (M6x10mm)
455	841794	1	CUP, Flywheel
456	845219	1	PLATE, Pawl Friction
459	845218	1	PAWL, Ratchet
493A	845729		BRACKET, Mounting
515	691528	2	SPRING, Pawl
563	841735		SCREW -(Debris Screen Guard)
592	690939		NUT -(Rewind Starter) (M6)
608	841729	1	STARTER, Rewind
949	845728	1	GUARD, Debris Screen
1004	842258	1	DUCT, Air
1046	692082	1	PLUG, Blower Housing
1046A	843068	1	PLUG, Blower Housing
1335	691029		NUT -(Blower Housing) (1/4-20)
1392	690939		NUT -(Rewind Guard) (M6)

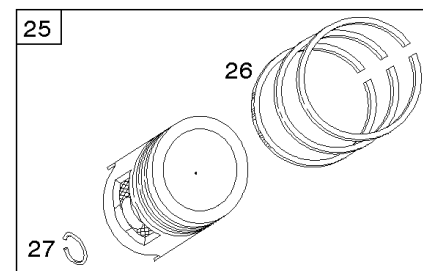
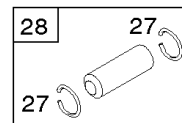
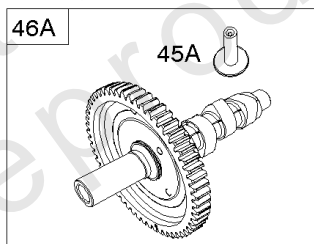
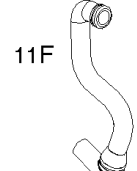
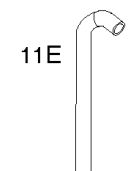
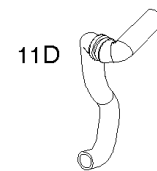
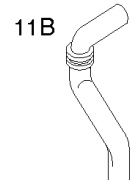
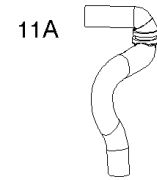
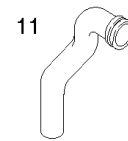
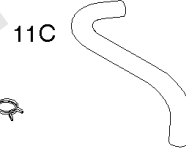
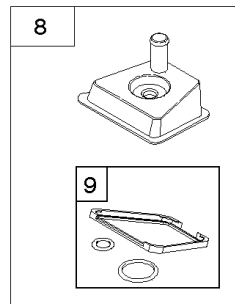
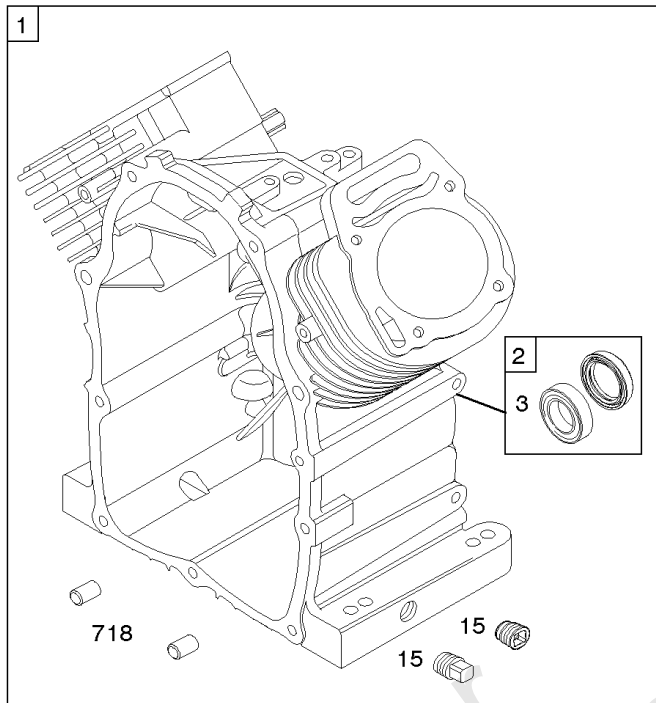
1036 EMISSIONS LABEL

1330 REPAIR MANUAL

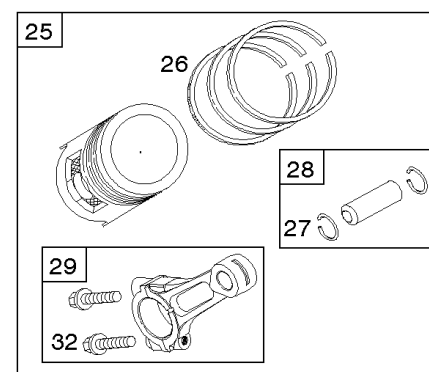
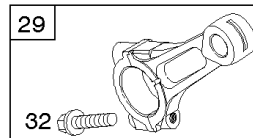
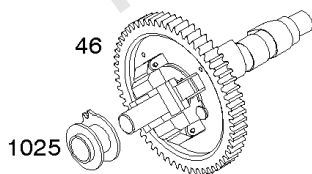
1319 WARNING LABEL

<b>WARNING</b>	
	Read and follow Operating Instructions before running engine.
	Gasoline is flammable. Allow engine to cool at least 2 minutes before refueling.
	Engines emit carbon monoxide, <b>DO NOT</b> run in enclosed area.
	Muffler area temperature may exceed 150°F. Do not touch hot parts.

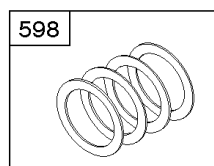
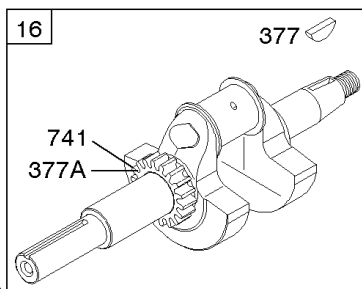
**REQUIRED** when replacing parts with warning labels affixed.



USED AFTER DATE CODE: 07062900



USED BEFORE DATE CODE: 07063000





## Camshaft, Crankshaft, Cylinder, Piston, Rings, Connecting Rod, Breather

REF NO	PART NO	QTY	DESCRIPTION
1	692544		CYLINDER ASSEMBLY
2	808534		KIT, Bushing/Seal -(Magneto Side)
3	805101S		SEAL, Oil -(Magneto Side)
8	808984		BREATHER ASSEMBLY
9	844986		GASKET, Breather
10	690751		SCREW -(Breather Assembly)
11	691556		TUBE, Breather
11A	844921		TUBE, Breather -Used After Code Date 09122200
11B	806083S		TUBE, Breather -Used Before Code Date 09122300
15	690946		PLUG, Oil Drain -(3/8"-18 NPTF-External 7/16" Sq)
15	691680		PLUG, Oil Drain -(3/8"-18 NPTF - Internal 3/8" Sq)
16	809806		CRANKSHAFT -Used Before Code Date 07063000
16	843794		CRANKSHAFT
17	843827		BEARING, Ball
25	843821		PISTON ASSEMBLY -(.020 Oversize)
25	844540		PISTON ASSEMBLY -(Standard) -Used Before Code Date 07063000
25	843792		PISTON ASSEMBLY -(Standard) -Used After Code Date 07062900
26	843793		SET, Ring -(Standard)
26	843822		SET, Ring -(.020 Oversize)
27	690683		LOCK, Piston Pin
28	844541		PIN, Piston -(Standard)
29	807900S		ROD, Connecting -(Standard)
32	690698		SCREW -(Connecting Rod)
46	845649		CAMSHAFT
357	691483		KEY, Drive Pulley
377	808095		KEY, Flywheel
377A	691639		KEY, Timing
572	690686		BAFFLE, Breather
598	807625		SHIM, End Play -(Crankshaft or Camshaft Bearing)
601B	791850		CLAMP, Hose
718	806469		PIN, Locating
741	846085		GEAR, Timing
1025	690689		SPOOL, Governor
1036	-----		Label-Emissions -(Available From A Briggs & Stratton Authorized Dealer)
1133	690342		SCREW -(Crankshaft)
1319	-----		Label-Warning

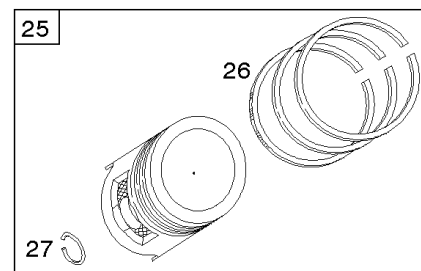
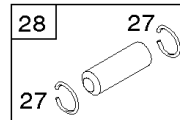
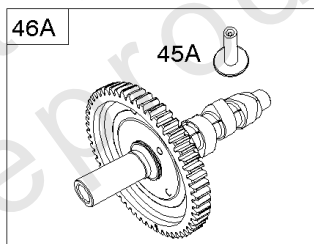
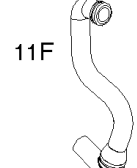
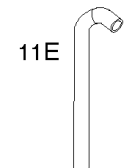
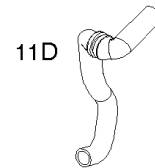
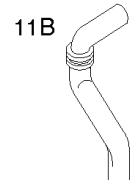
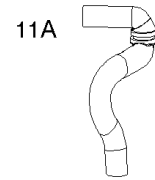
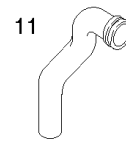
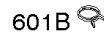
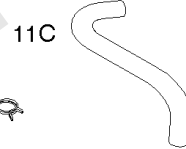
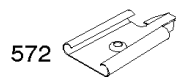
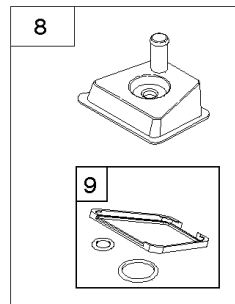
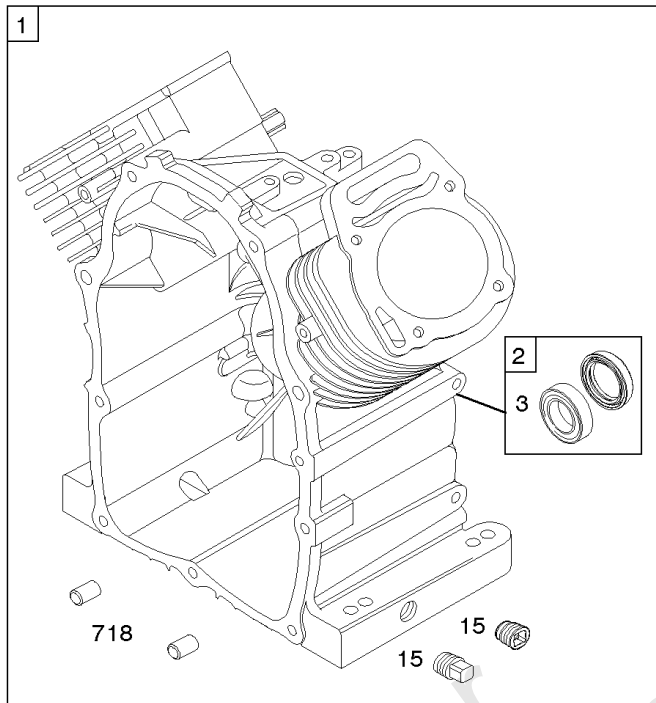
1036 EMISSIONS LABEL

1330 REPAIR MANUAL

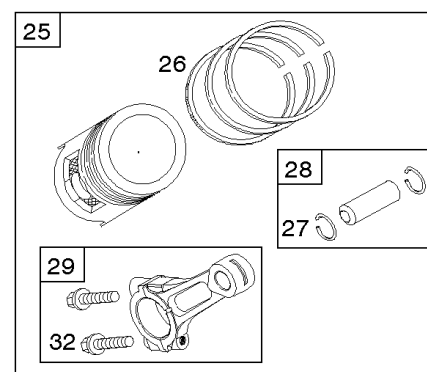
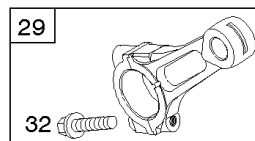
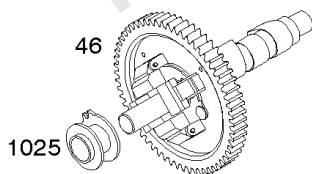
1319 WARNING LABEL

<b>WARNING</b>	
	Read and follow Operating Instructions before running engine.
	Gasoline is flammable. Allow engine to cool at least 2 minutes before refueling.
	Engines emit carbon monoxide, <b>DO NOT</b> run in enclosed area.
	Muffler area temperature may exceed 150°F. Do not touch hot parts.

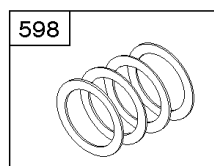
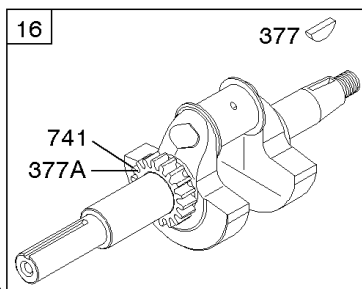
**REQUIRED** when replacing parts with warning labels affixed.



USED AFTER DATE CODE: 07062900



USED BEFORE DATE CODE: 07063000



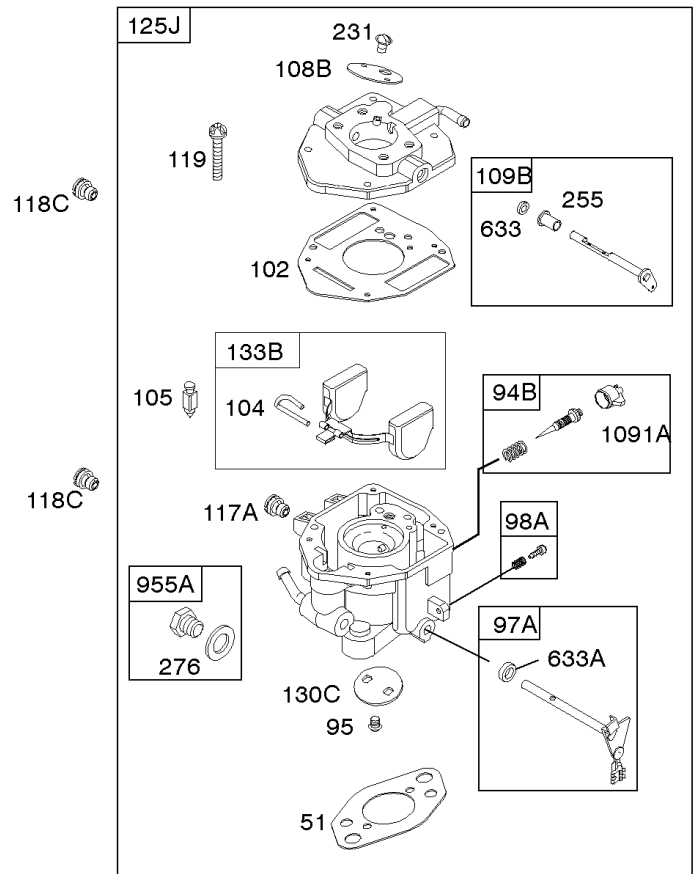
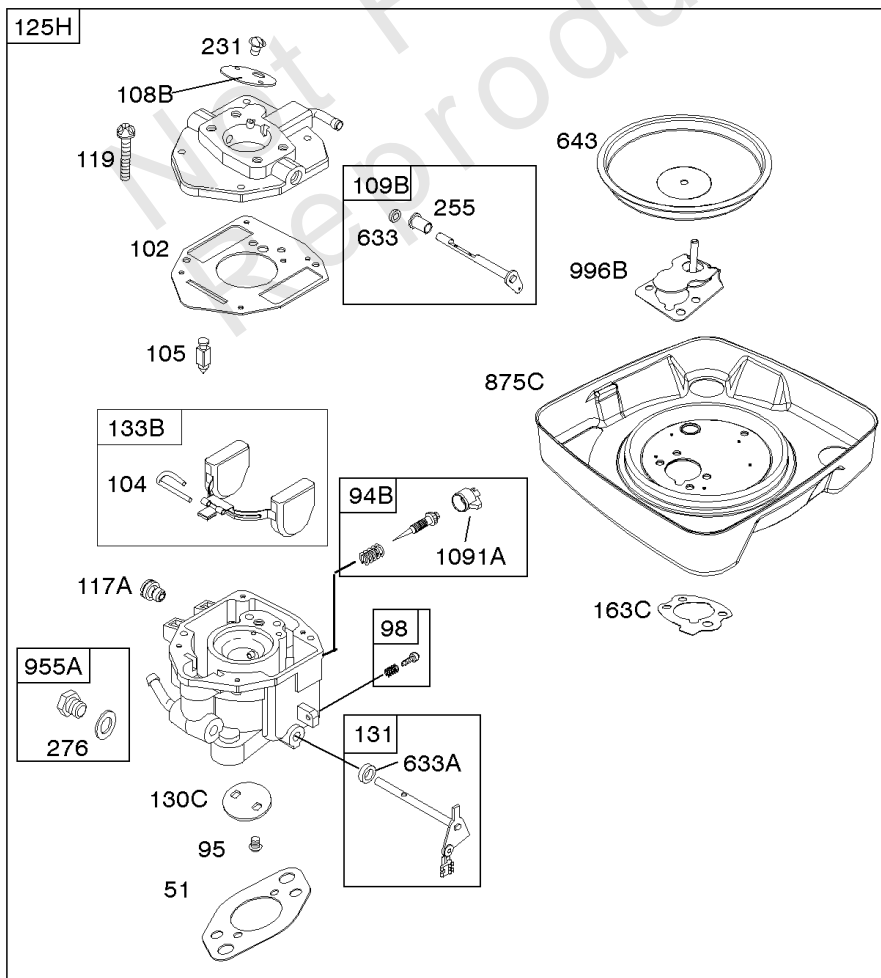
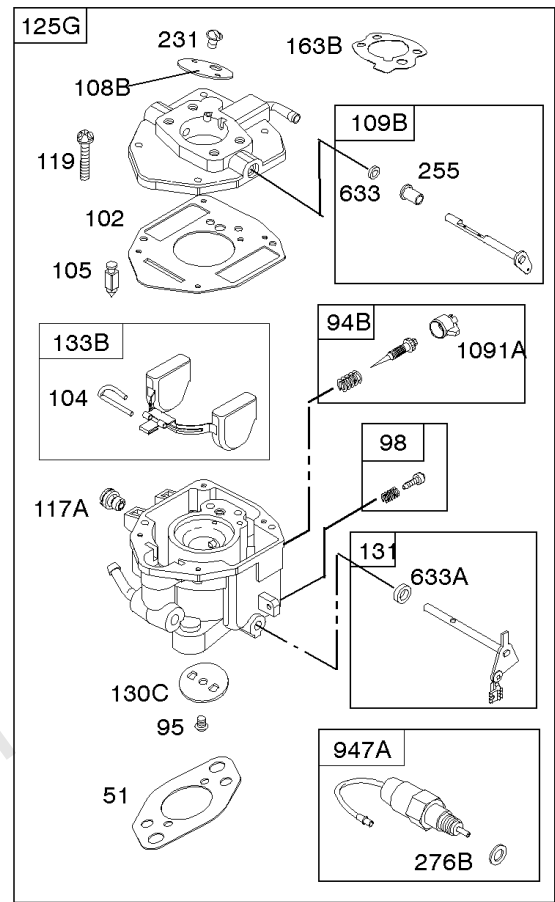
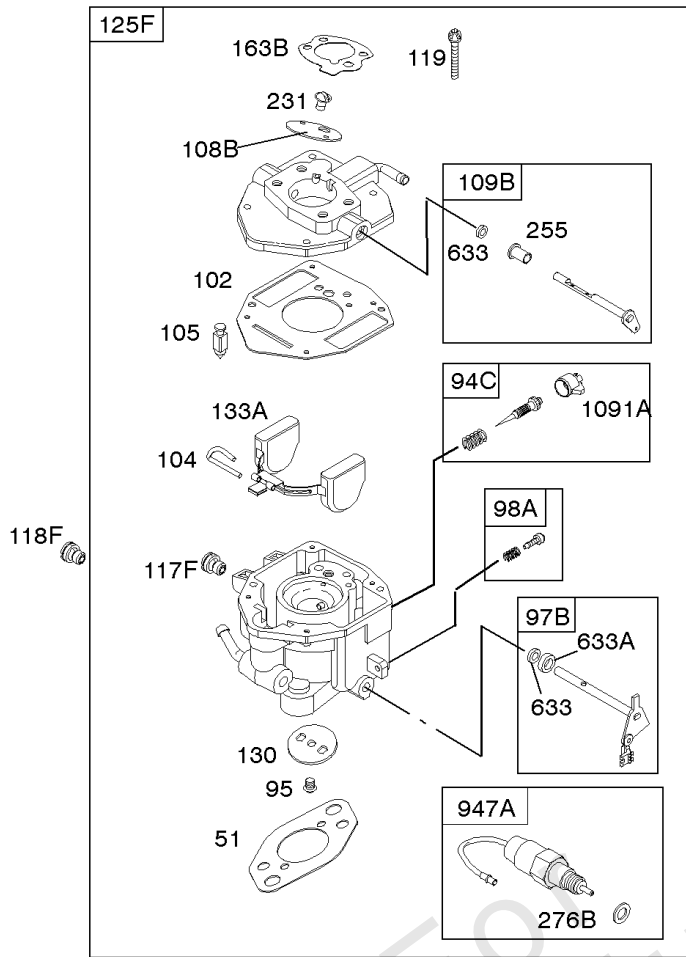
***Camshaft, Crankshaft, Cylinder, Piston, Rings, Connecting Rod, Breather***

---

REF NO	PART NO	QTY	DESCRIPTION
1330	272144		MANUAL, Repair

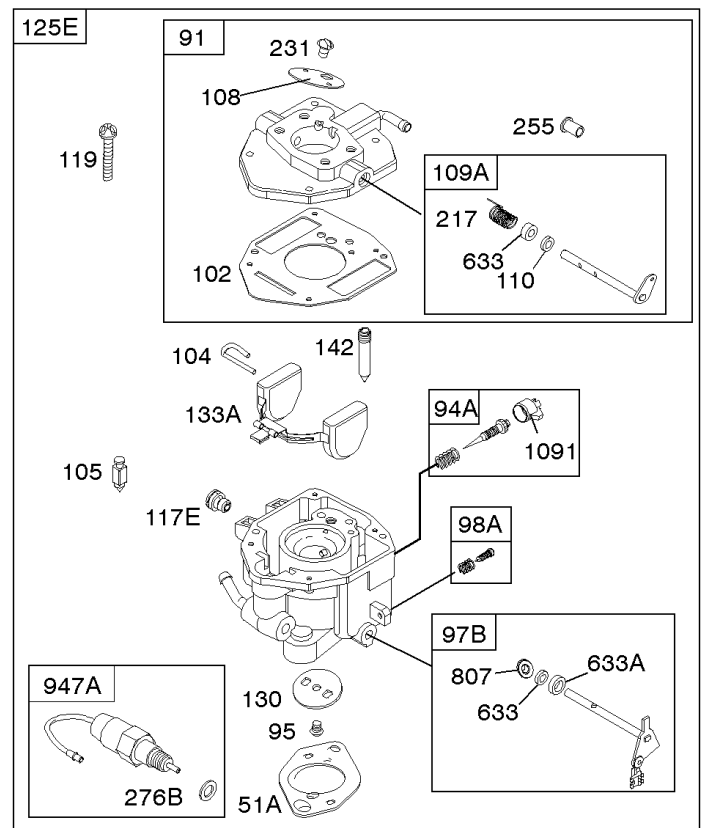
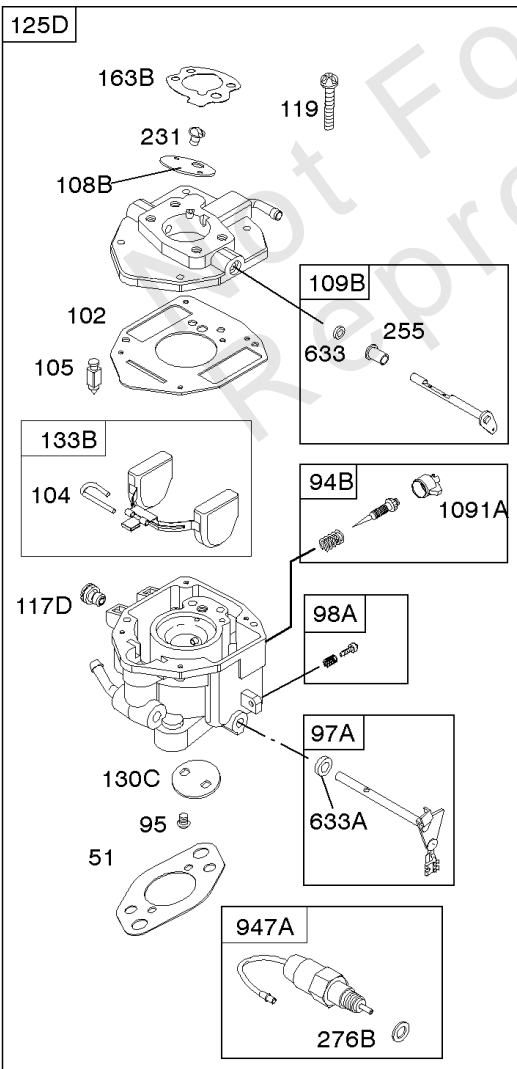
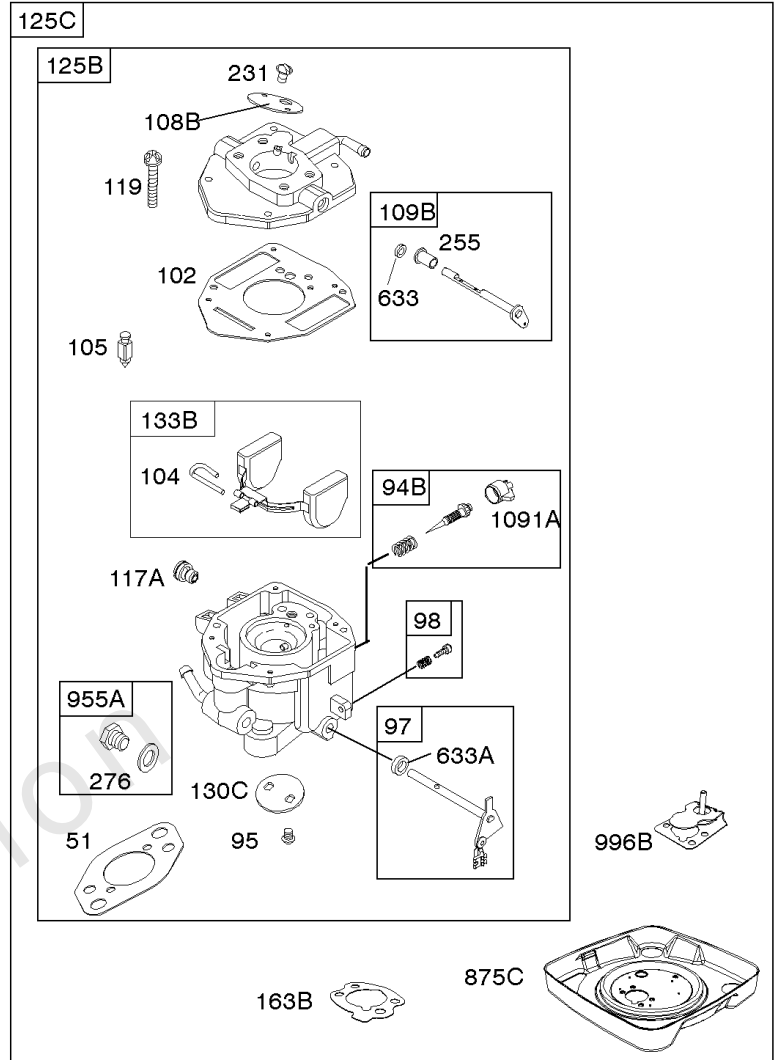
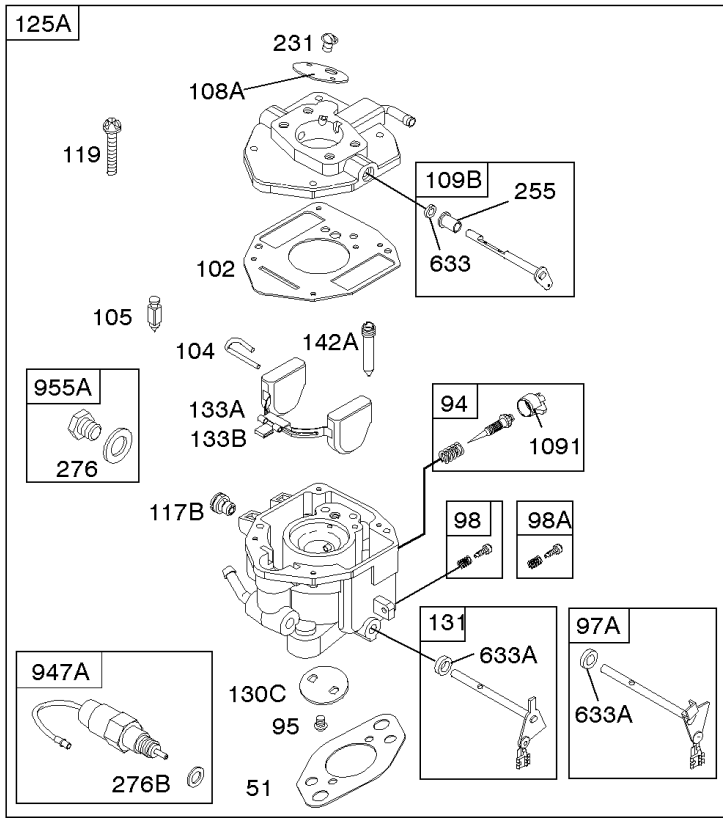
---

Not For Reproduction



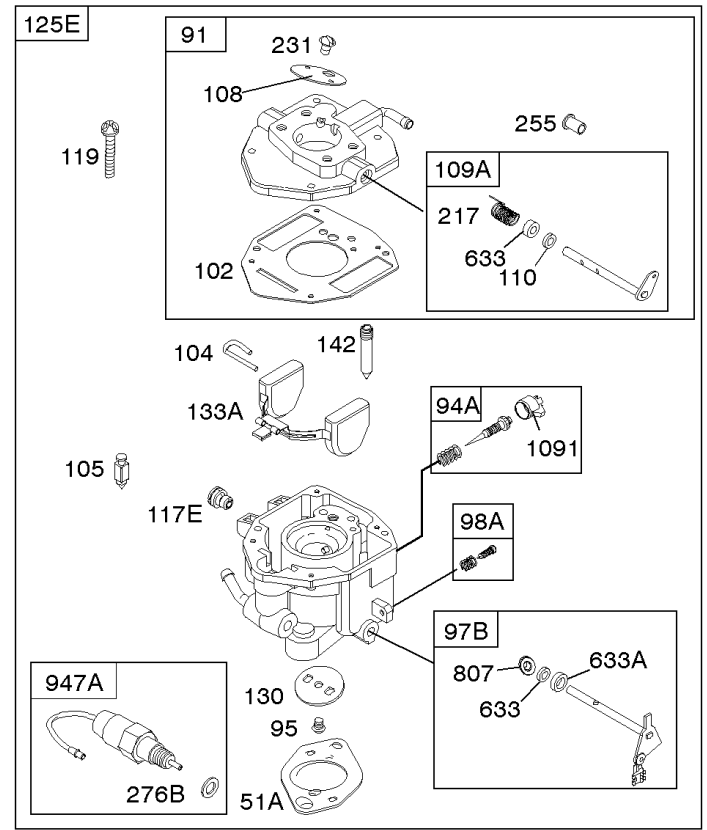
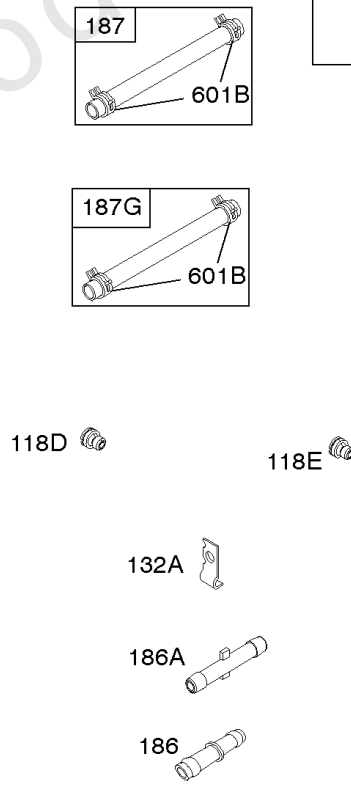
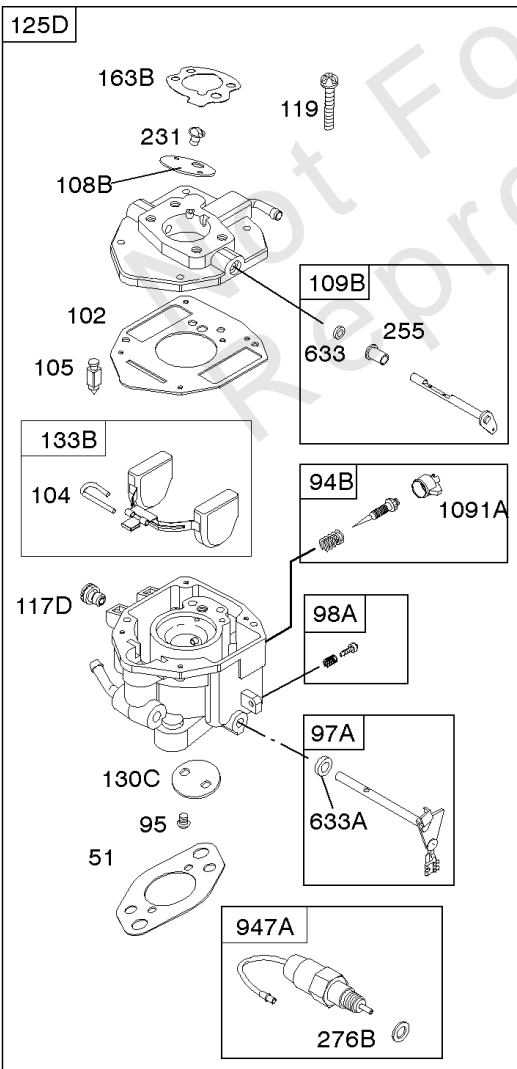
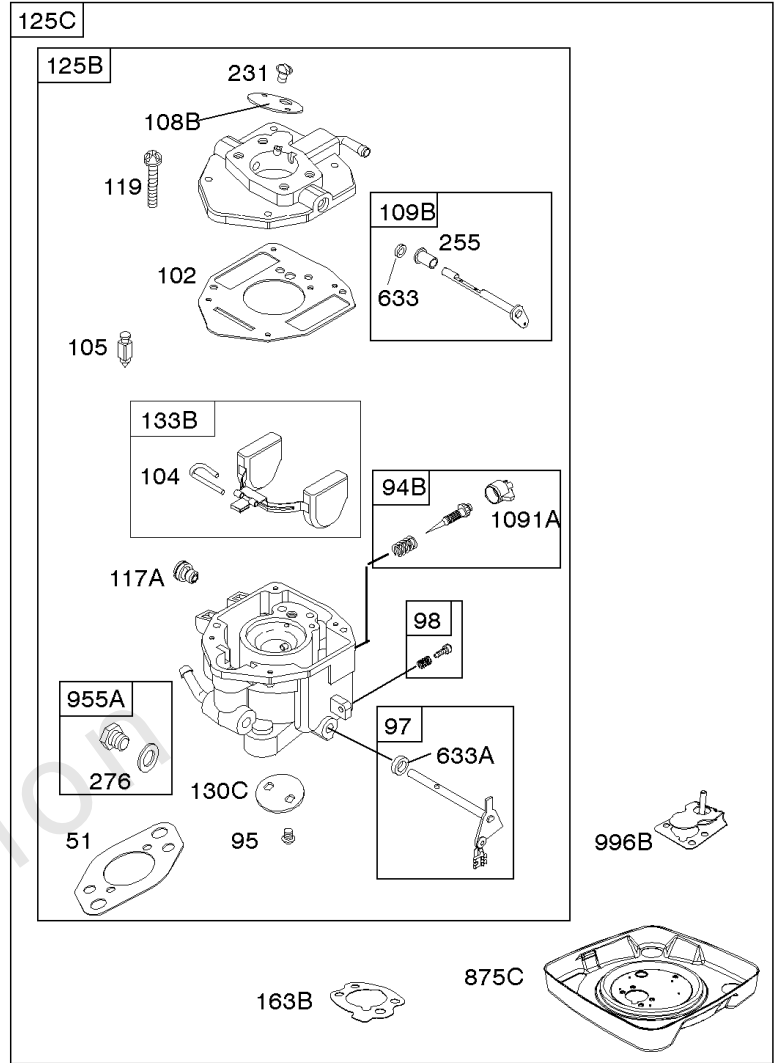
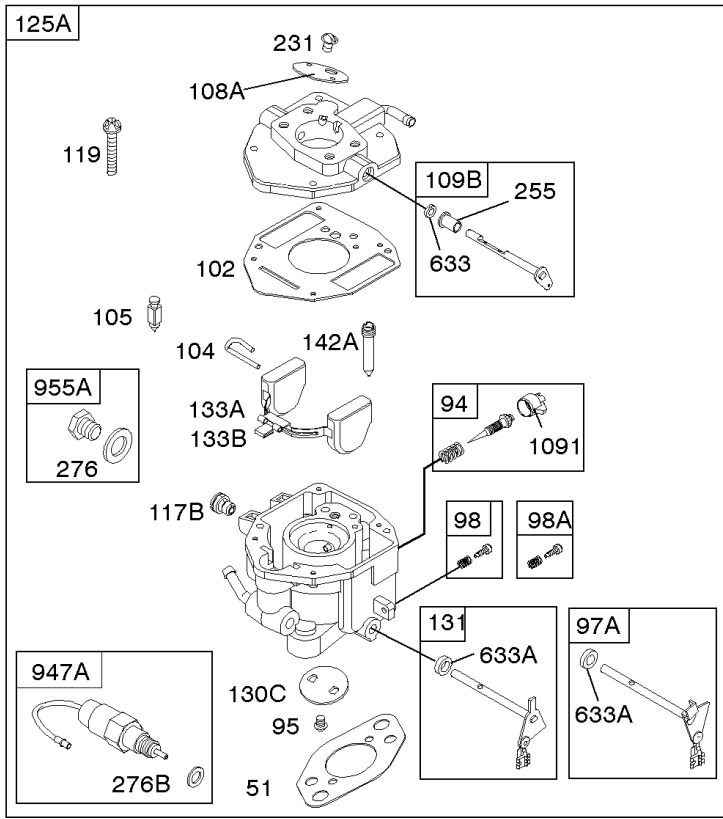
## Carburetor

REF NO	PART NO	QTY	DESCRIPTION
51	691694		GASKET, Intake -(Manifold To Carburetor)
94B	845021		KIT, Idle Mixture
95	690718		SCREW -(Throttle Valve)
98	808177		KIT, Idle Speed
102	692077		GASKET, Carburetor Body
104	690723		PIN, Float Hinge
105	797410		VALVE, Float Needle
108B	844989		VALVE, Choke
109B	843321		SHAFT, Choke
117A	806373		JET, Main -(Standard)
118C	845903		JET, Main -(High Altitude) (9000 Feet)
118C	842439		JET, Main -(High Altitude) (5000 Feet)
118F	844990		JET, Main -(High Altitude) (5000 Feet)
119	690720		SCREW -(Upper Carburetor Body to Lower Carburetor Body)
130C	806132		VALVE, Throttle
131	845022		KIT, Throttle Shaft
133B	843320		FLOAT, Carburetor
163B	844931		GASKET, Air Cleaner
163C	841823		GASKET, Air Cleaner -(Air Cleaner)
231	690718		SCREW -(Choke Valve)
255	690721		BUSHING, Choke Shaft
276	690724		WASHER, Sealing
276B	806137		WASHER, Sealing -(Solenoid)
633	690722		SEAL, Choke/Throttle Shaft
633A	806131		SEAL, Choke/Throttle Shaft
947A	692094		SOLENOID, Fuel
955A	807723		PLUG, Carburetor
1091A	844448		CAP, Limiter



## Carburetor

REF NO	PART NO	QTY	DESCRIPTION
51	691694		GASKET, Intake -(Manifold To Carburetor)
51A	692035		GASKET, Intake -(Manifold to Cylinder Head)
94	842880		KIT, Idle Mixture
94B	845021		KIT, Idle Mixture
95	690718		SCREW -(Throttle Valve)
98	808177		KIT, Idle Speed
102	692077		GASKET, Carburetor Body
104	690723		PIN, Float Hinge
105	797410		VALVE, Float Needle
108A	806134		VALVE, Choke
108B	844989		VALVE, Choke
109B	843321		SHAFT, Choke
110	806861		WASHER -(Choke Shaft)
117A	806373		JET, Main -(Standard)
117B	806126		JET, Main -(Standard)
118A	690880		JET, Main -(High Altitude) (9000 Feet)
118A	809685		JET, Main -(High Altitude) (5000 Feet)
118D	841670		JET, Main -(High Altitude) (5000 Feet)
118C	842439		JET, Main -(High Altitude) (5000 Feet)
118C	845903		JET, Main -(High Altitude) (9000 Feet)
118D	690881		JET, Main -(High Altitude) (9000 Feet)
118E	807012		JET, Main -(High Altitude) (9000 Feet)
118E	809442		JET, Main -(High Altitude) (5000 Feet)
119	690720		SCREW -(Upper Carburetor Body to Lower Carburetor Body)
125B	845023		CARBURETOR -(Carburetor Only)
125C	846109		CARBURETOR -(Carburetor with Air Cleaner Base)
130C	806132		VALVE, Throttle
131	845022		KIT, Throttle Shaft
132A	690863		STOP, Throttle
133B	843320		FLOAT, Carburetor
142A	806128		NOZZLE, Carburetor
163B	844931		GASKET, Air Cleaner
186	844032		CONNECTOR, Hose
186A	845121		CONNECTOR, Hose
217	806862		SPRING, Choke Return
231	690718		SCREW -(Choke Valve)
255	690721		BUSHING, Choke Shaft
276	690724		WASHER, Sealing

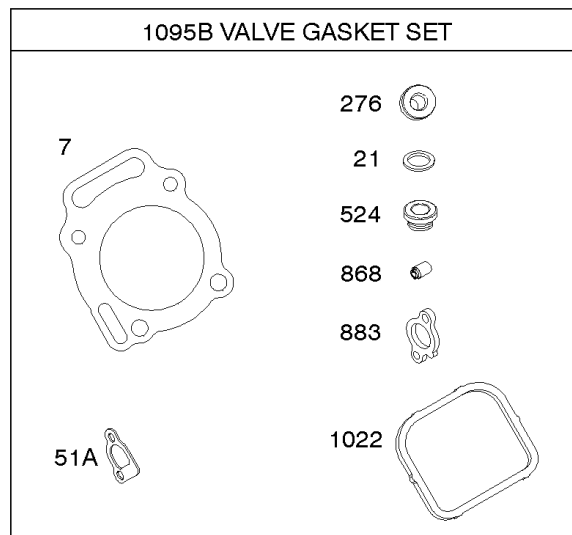
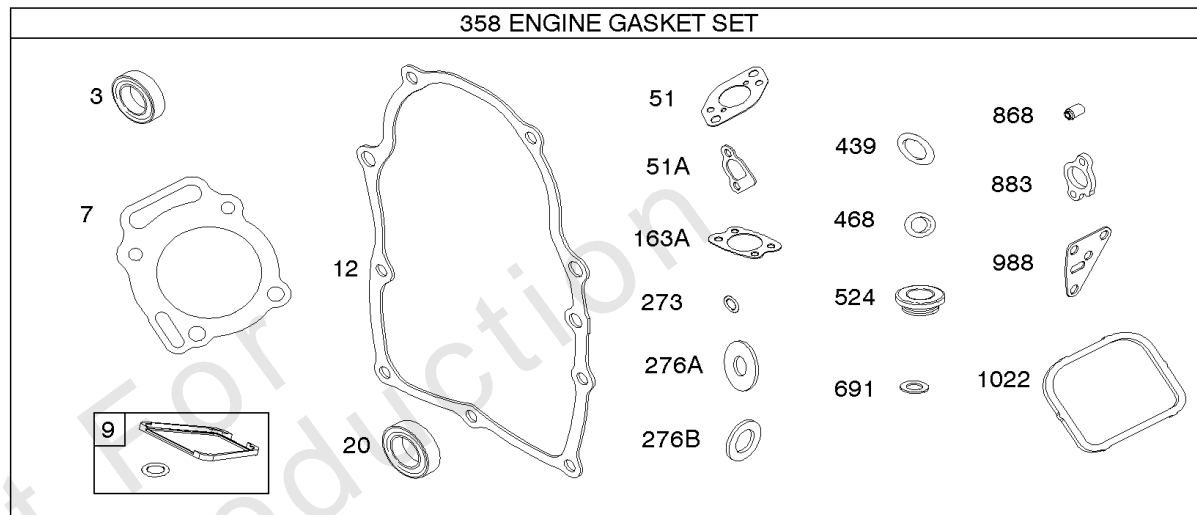
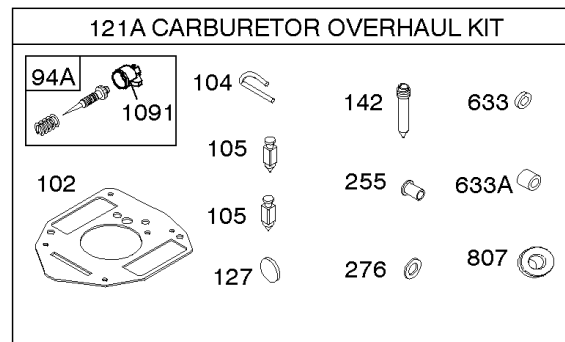
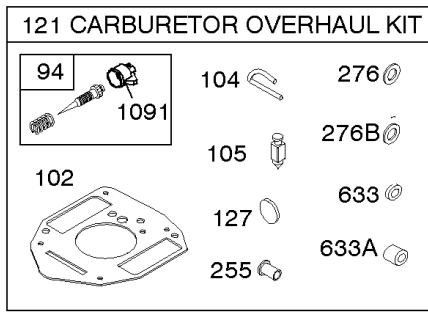




## Carburetor

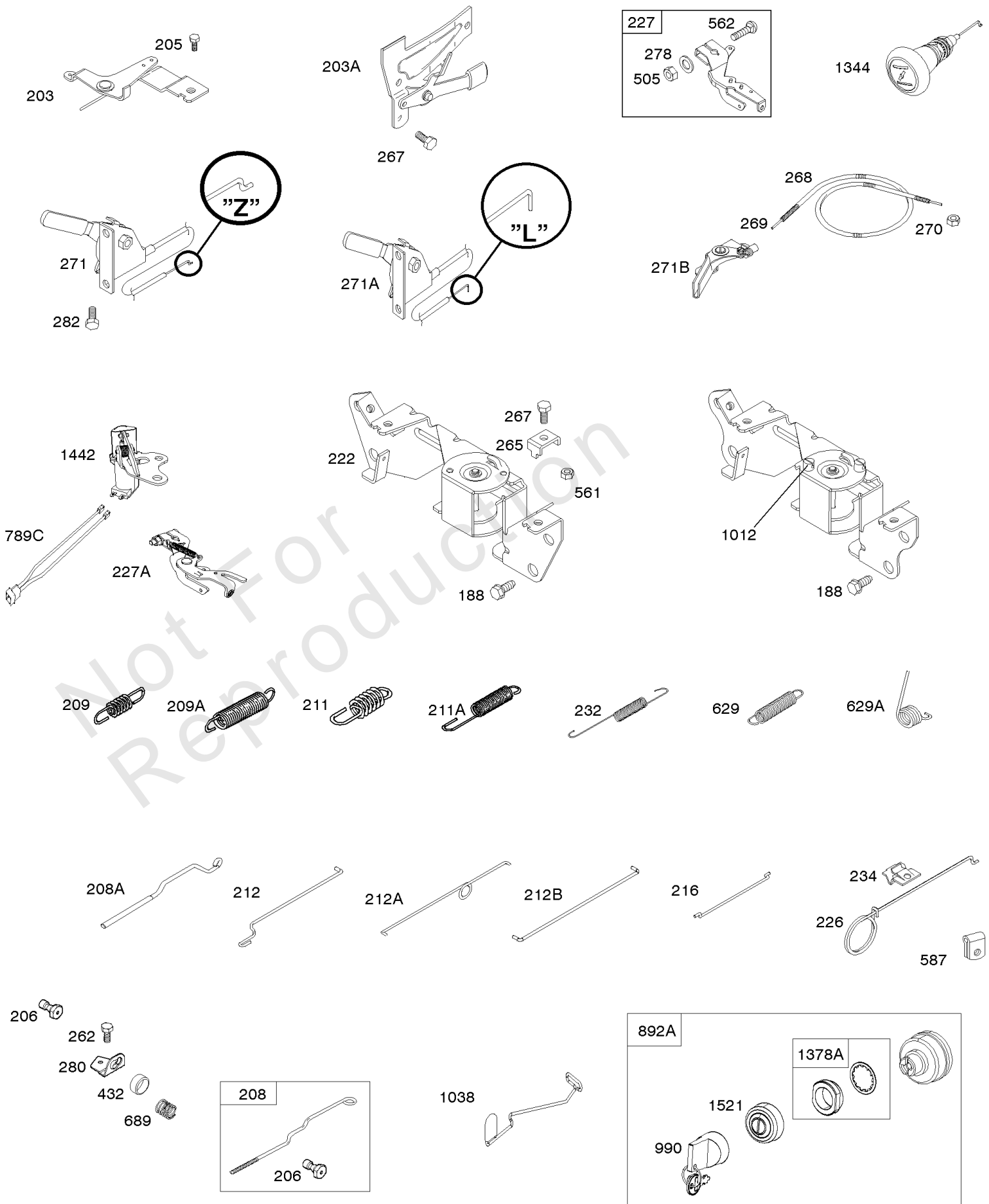
REF NO	PART NO	QTY	DESCRIPTION
276B	806137		WASHER, Sealing -(Solenoid)
601B	791850		CLAMP, Hose
633	690722		SEAL, Choke/Throttle Shaft
633A	806131		SEAL, Choke/Throttle Shaft
807	805557		SPACER -(Throttle)
947A	692094		SOLENOID, Fuel
955A	807723		PLUG, Carburetor
1091	691516		CAP, Limiter
1091A	844448		CAP, Limiter

Not For Reproduction



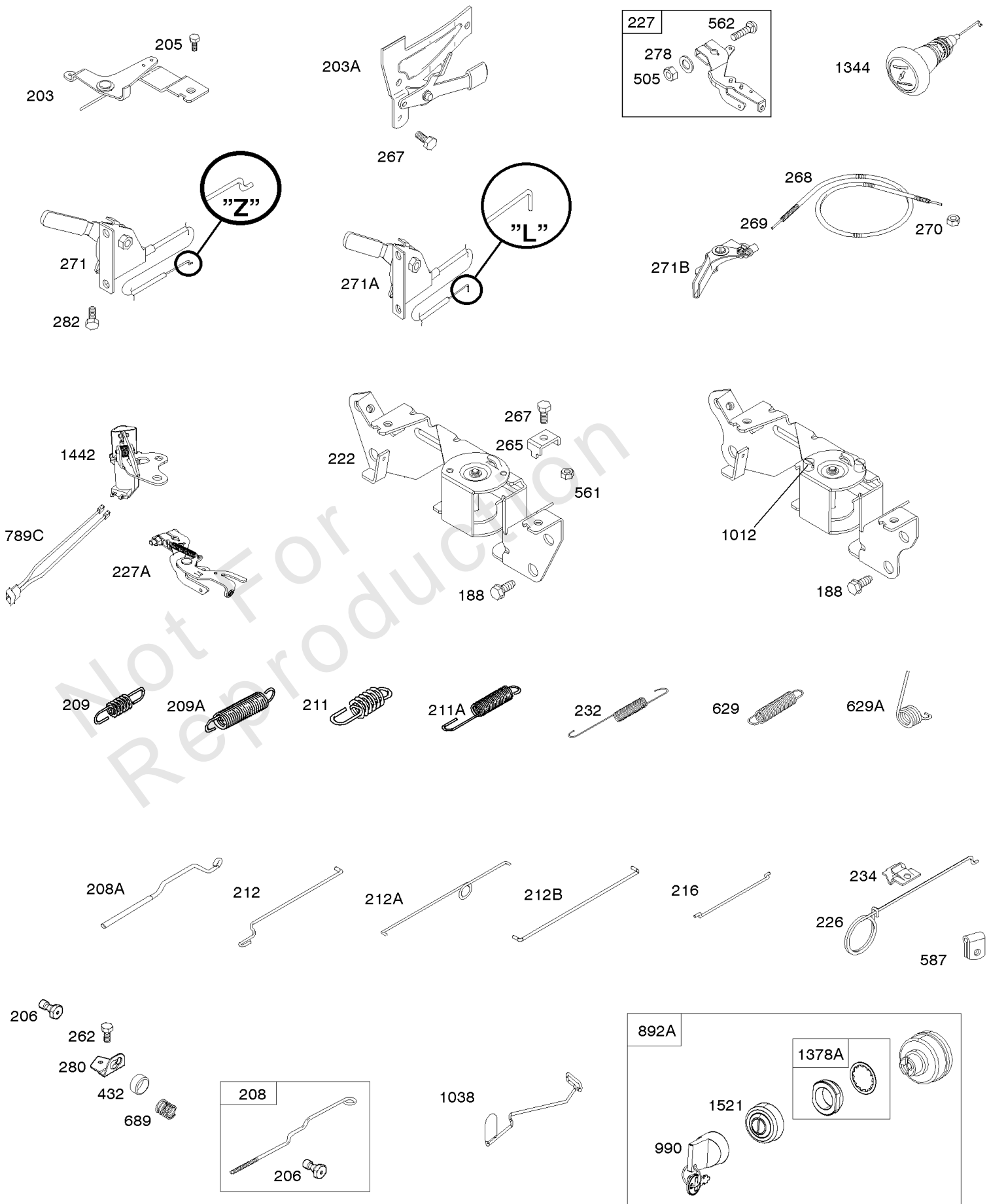
## Carburetor Overhaul Kit, Engine & Valve Set

REF NO	PART NO	QTY	DESCRIPTION
3	805101S		SEAL, Oil -(Magneto Side)
7	845884		GASKET, Cylinder Head -(Graphoil)
9	844986		GASKET, Breather
12	846487		GASKET, Crankcase
20	805049S		SEAL, Oil -(PTO Side)
21	809500		CAP, Oil Fill
51	691694		GASKET, Intake -(Manifold To Carburetor)
51A	692035		GASKET, Intake -(Manifold to Cylinder Head)
94	842880		KIT, Idle Mixture
102	692077		GASKET, Carburetor Body
104	690723		PIN, Float Hinge
105	797410		VALVE, Float Needle
121	842881		KIT, Carburetor Overhaul
127	690727		PLUG, Welch
163A	692081		GASKET, Air Cleaner -(Air Cleaner)
255	690721		BUSHING, Choke Shaft
273	690681		SEAL, O-Ring -(Oil Pump)
276	690724		WASHER, Sealing
276A	807085		WASHER, Sealing -(Head)(Rocker Cover)
276B	806137		WASHER, Sealing -(Solenoid)
358	841188		GASKET SET, Engine
439	692154		O-RING, Oil Gallery -(Crankcase Cover/Sump or Cylinder Assembly)
468	690690		SEAL, O-Ring -(Oil Pump Screen)
524	693172		SEAL, O-Ring -(Dipstick Tube)
633	690722		SEAL, Choke/Throttle Shaft
633A	806131		SEAL, Choke/Throttle Shaft
691	842826		SEAL, Governor Shaft
807	805557		SPACER -(Throttle)
868	691963		SEAL, Valve
883	691613		GASKET, Exhaust
988	692063		GASKET, Oil Adapter
1022	806039S		GASKET, Rocker Cover
1091	691516		CAP, Limiter
1095B	841191		GASKET SET, Valve



## Controls, Governor Spring

REF NO	PART NO	QTY	DESCRIPTION
188	692056		SCREW -(Control Bracket) (M8x14mm)
188	845964		SCREW -(Control Bracket) (M8x10mm)
203	690923		CRANK, Bell
205	692083		SCREW -(Bell Crank)
206	691244		NUT, Governor Adjusting
208	808453		ROD, Governor Control
209	692070		SPRING, Governor -(Main)
211	692069		SPRING, Governed Idle -(Red)
212	847015		LINK, Throttle
212A	691519		LINK, Throttle
216	690705		LINK, Choke
222	845305		BRACKET, Control -(Used With Control Lever And/Or Wire With Z Formed End)
226	692075		ROD, Choke
227	690236		LEVER, Governor Control
232	692073		SPRING, Governor Link
234	691723		CLIP, Control Rod
262	692083		SCREW -(Rod Bracket) (M5x12mm)
262	841552		SCREW -(Rod Bracket) (M5x20mm)
265	691024		CLAMP, Casing
267	841552		SCREW -(Casing Clamp) (M5x20mm)
267	692083		SCREW -(Casing Clamp)
268	691025		CASING, Control Wire
269	691026		WIRE, Control
270	691027		NUT -(Control Wire Casing)
271	692541		LEVER, Control
271A	692105		LEVER, Control
271B	691028		LEVER, Control
278	842122		WASHER -(Governor Control Lever)
280	691526		BRACKET, Fixed Speed
282	692083		SCREW -(Control Lever)
432	691509		CAP, Spring
505	844752		NUT -(Governor Control Lever)
561	690713		NUT -(Control Bracket)
562	690239		BOLT -(Governor Control Lever)
587	807116		CLAMP, Cable
629	806717		SPRING, Throttle Return -(Throttle Return)
629A	806716		SPRING, Throttle Return -(Throttle Return)
689	691272		SPRING, Friction



## ***Controls, Governor Spring***

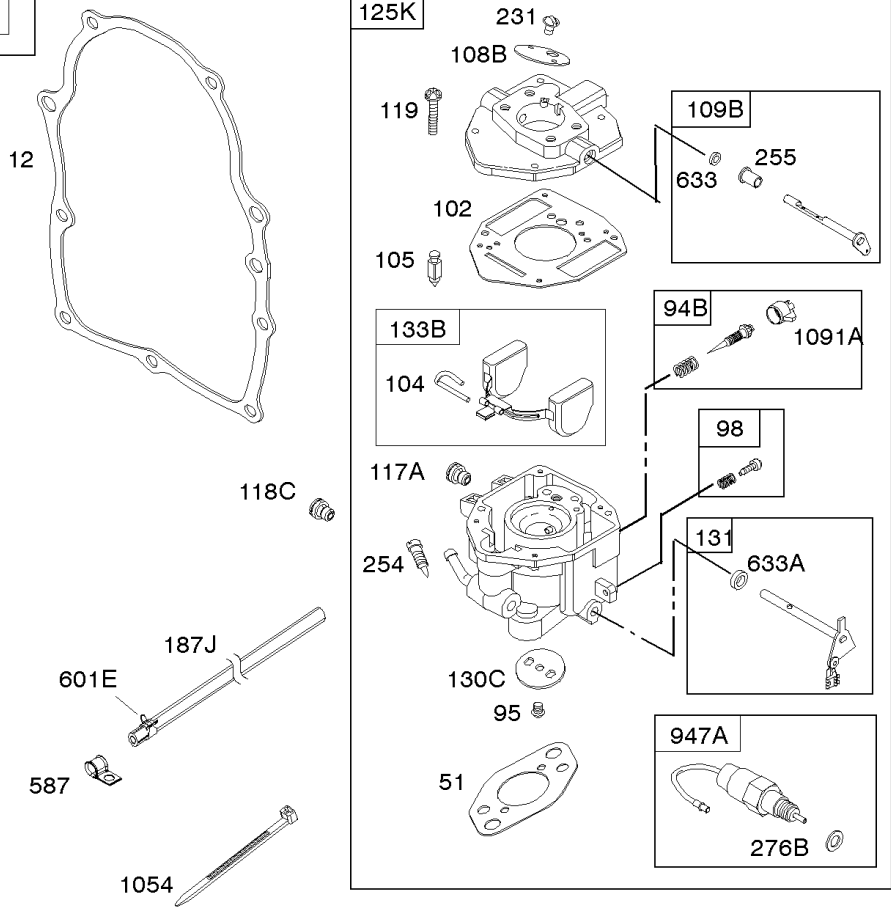
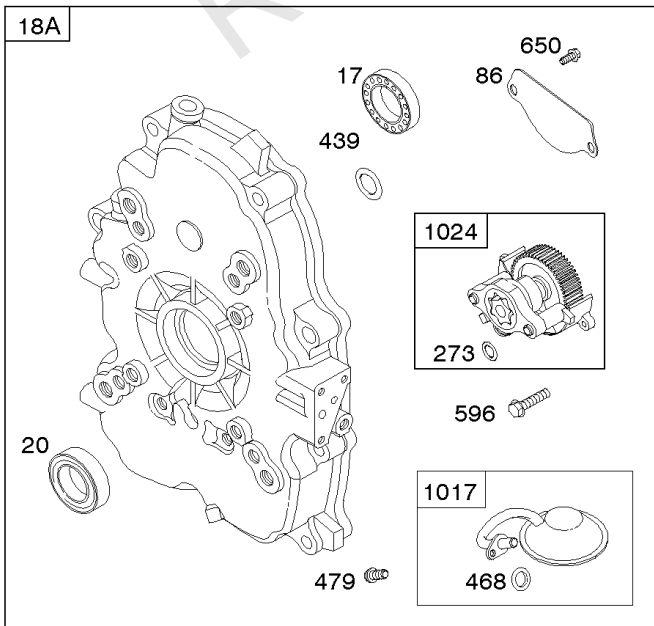
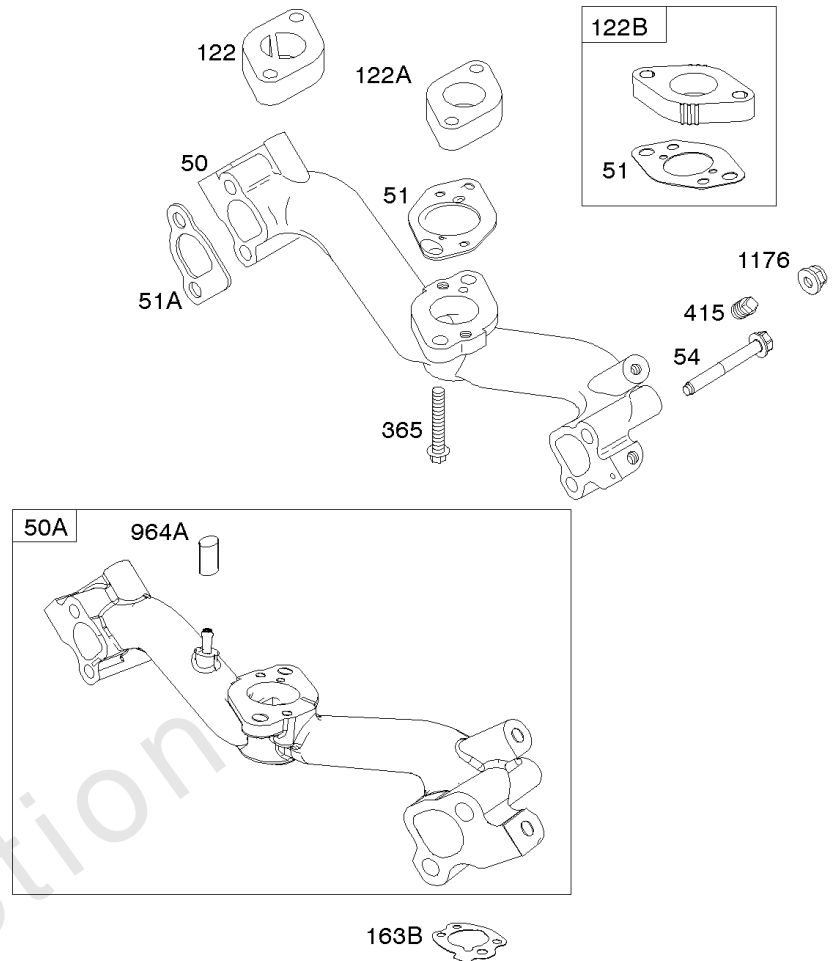
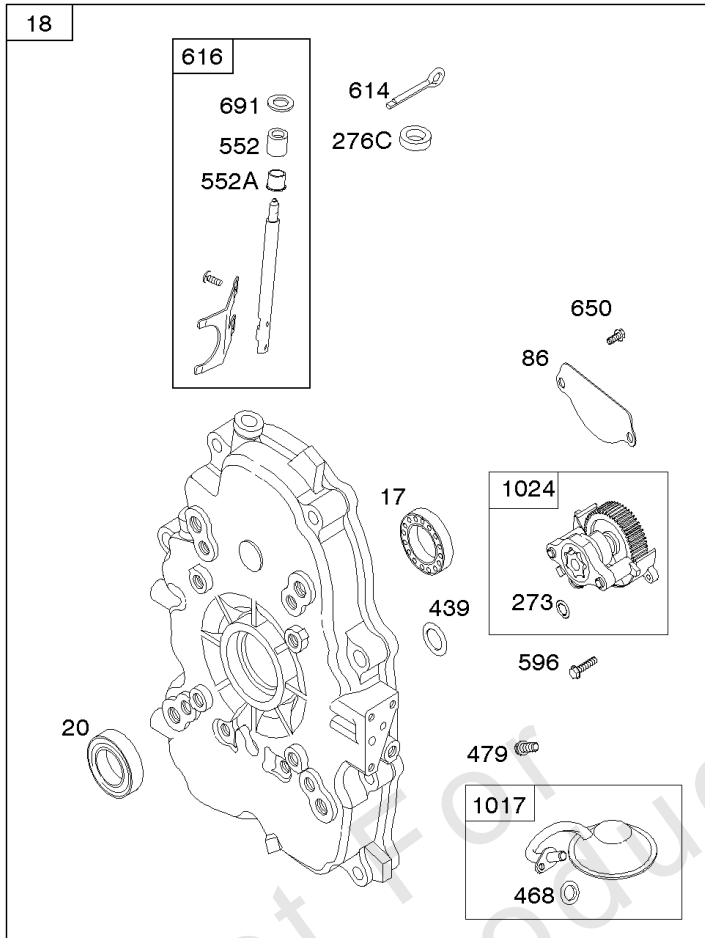
---

<b>REF NO</b>	<b>PART NO</b>	<b>QTY</b>	<b>DESCRIPTION</b>
990	691959		SET, Key
1012	690592		RETAINER, Link
1038	844555		ROD, Fuel Shut Off
1378A	847144		SET, Washer/Nut
1521	847150		CAP, Switch

Not For Reproduction

# Crankcase Cover, Intake Manifold

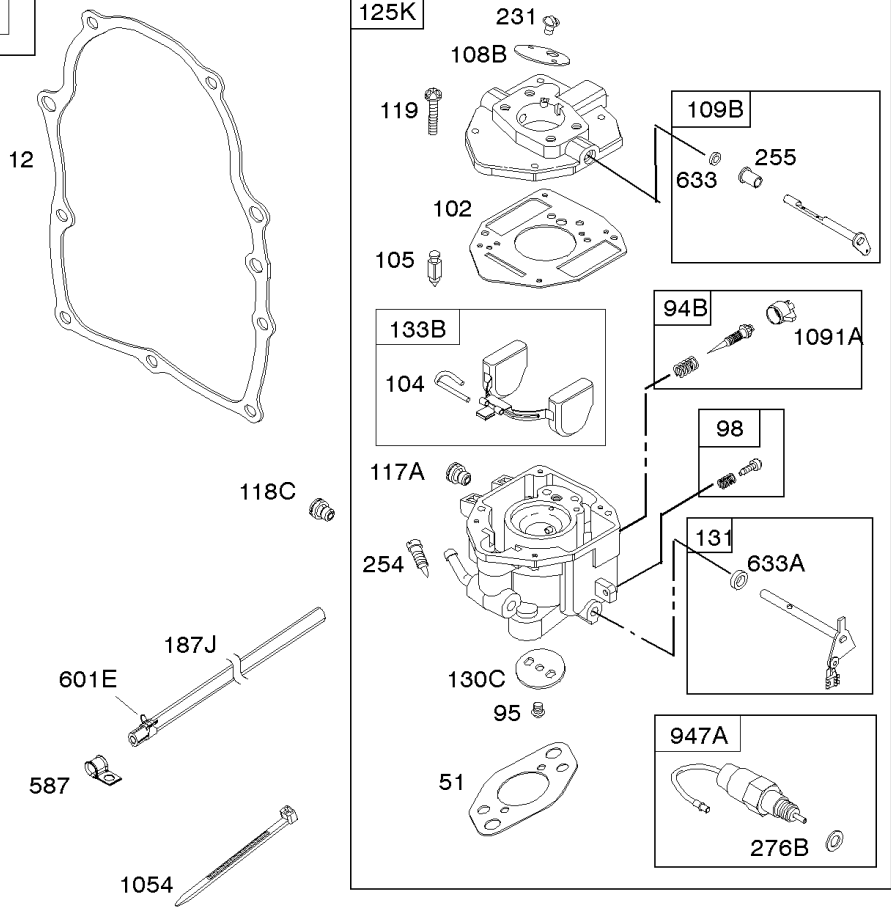
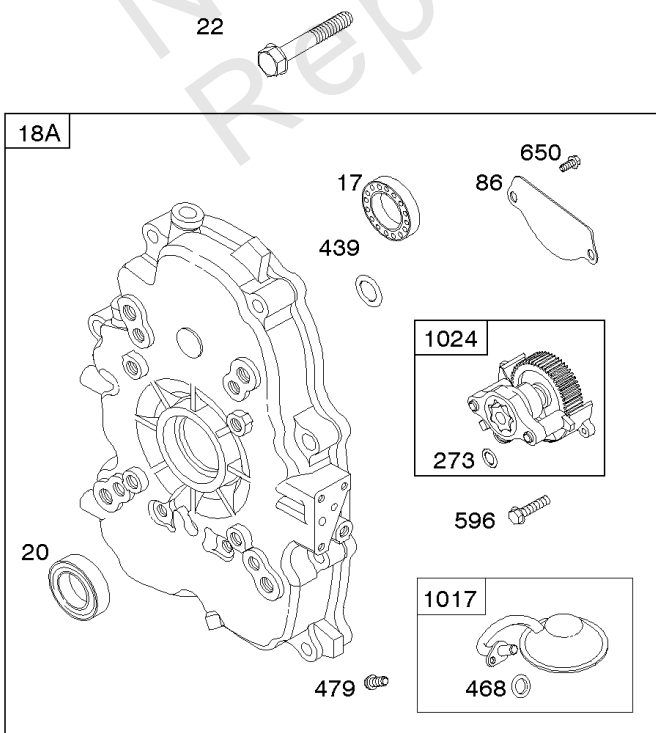
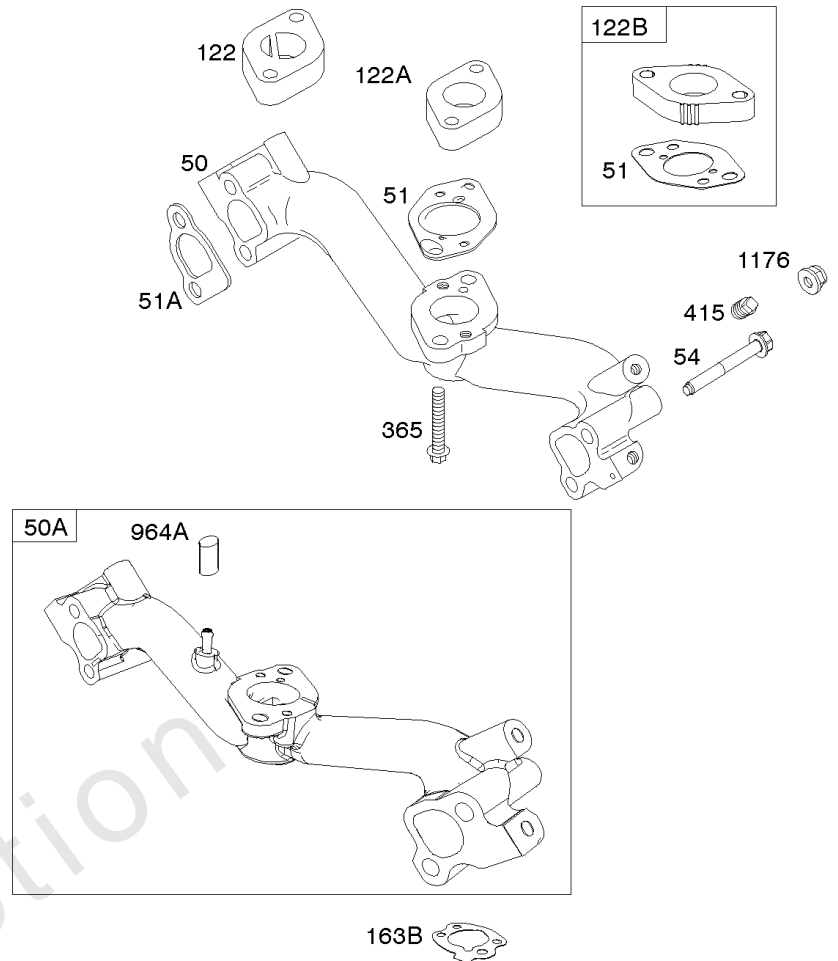
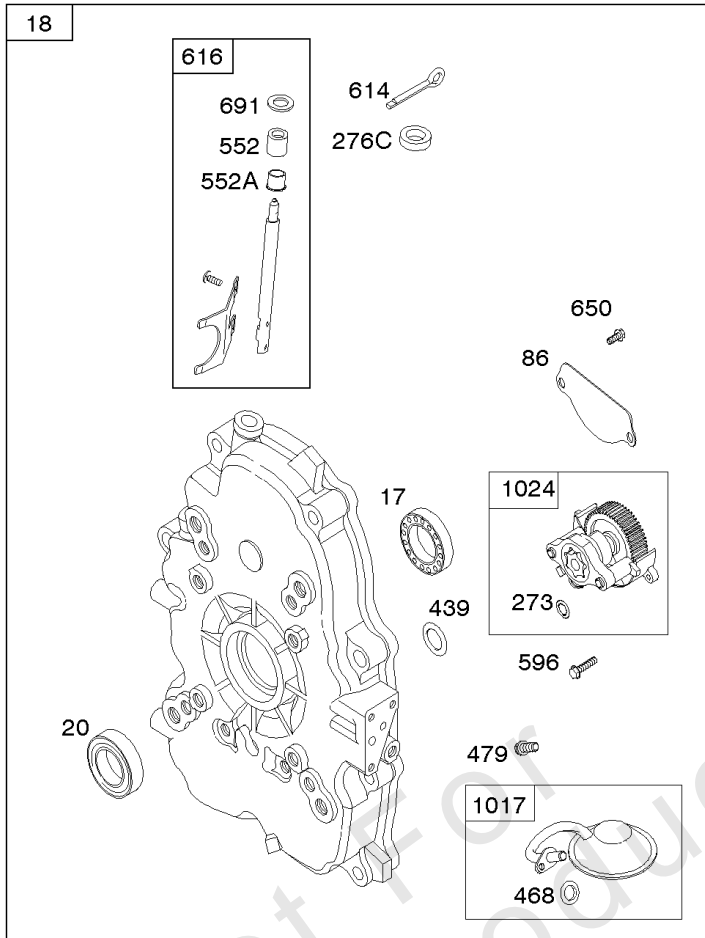
Mfg. No: 356447-0566-F1





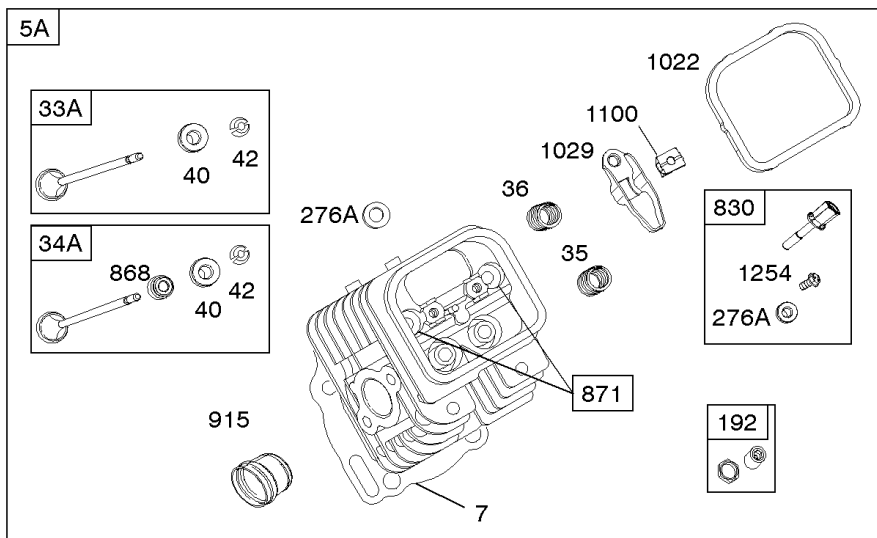
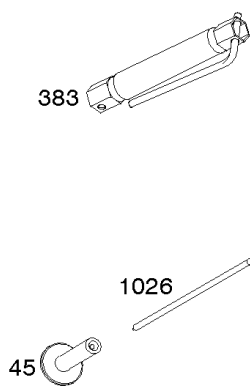
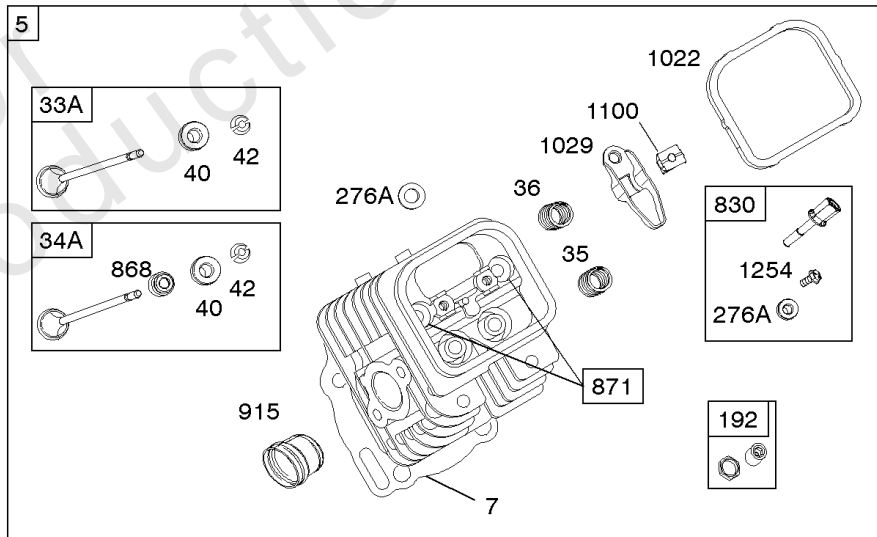
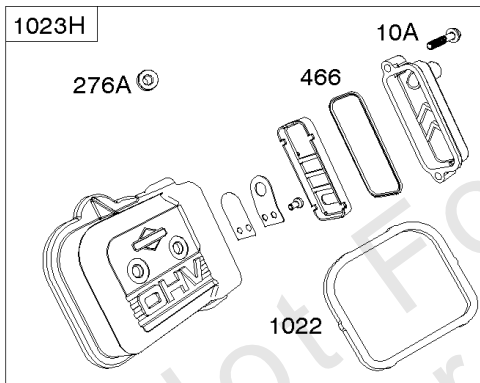
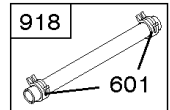
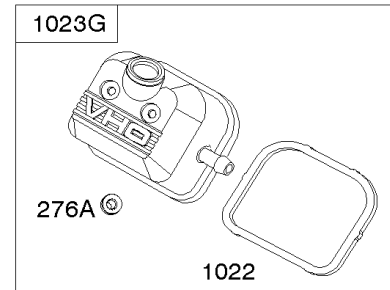
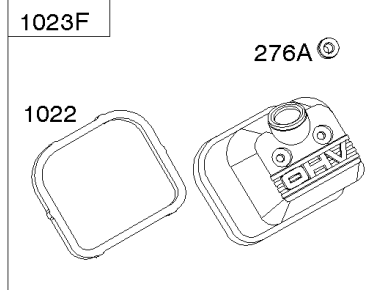
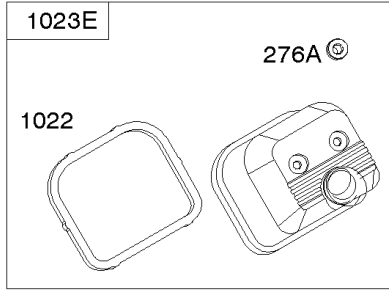
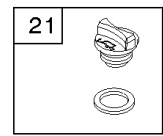
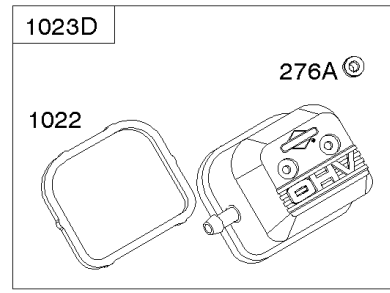
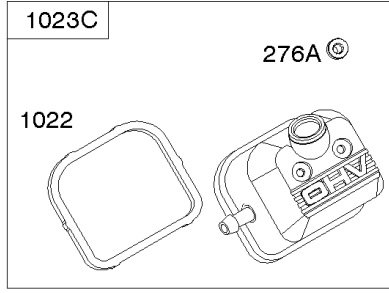
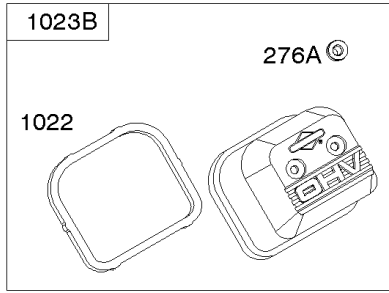
## Crankcase Cover, Intake Manifold

REF NO	PART NO	QTY	DESCRIPTION
12	846487		GASKET, Crankcase
17	843827		BEARING, Ball
18	844588		COVER, Crankcase
20	805049S		SEAL, Oil -(PTO Side)
22	807362		SCREW -(Crankcase Cover/Sump)
50	690754		MANIFOLD, Intake
51	691694		GASKET, Intake -(Manifold To Carburetor)
51A	692035		GASKET, Intake -(Manifold to Cylinder Head)
54	846604		SCREW -(Intake Manifold) (M8x67mm) (Dog Point)
86	690745		COVER, Gear
94B	845021		KIT, Idle Mixture
95	690718		SCREW -(Throttle Valve)
98	808177		KIT, Idle Speed
102	692077		GASKET, Carburetor Body
104	690723		PIN, Float Hinge
105	797410		VALVE, Float Needle
108B	844989		VALVE, Choke
109B	843321		SHAFT, Choke
117A	806373		JET, Main -(Standard)
118C	845903		JET, Main -(High Altitude) (9000 Feet)
118C	842439		JET, Main -(High Altitude) (5000 Feet)
119	690720		SCREW -(Upper Carburetor Body to Lower Carburetor Body)
122A	690747		SPACER, Carburetor
130C	806132		VALVE, Throttle
131	845022		KIT, Throttle Shaft
133B	843320		FLOAT, Carburetor
163B	844931		GASKET, Air Cleaner
231	690718		SCREW -(Choke Valve)
254	808178		DRAIN, Carburetor Bowl
255	690721		BUSHING, Choke Shaft
273	690681		SEAL, O-Ring -(Oil Pump)
276B	806137		WASHER, Sealing -(Solenoid)
276C	690704		WASHER
365	690711		SCREW -(Carburetor/Throttle Body)
415	794903		PLUG -(1/8"-27 NPTF - EXTERNAL SQ)
439	692154		O-RING, Oil Gallery -(Crankcase Cover/Sump or Cylinder Assembly)
468	690690		SEAL, O-Ring -(Oil Pump Screen)
479	807084		SCREW -(Oil Pump Screen)



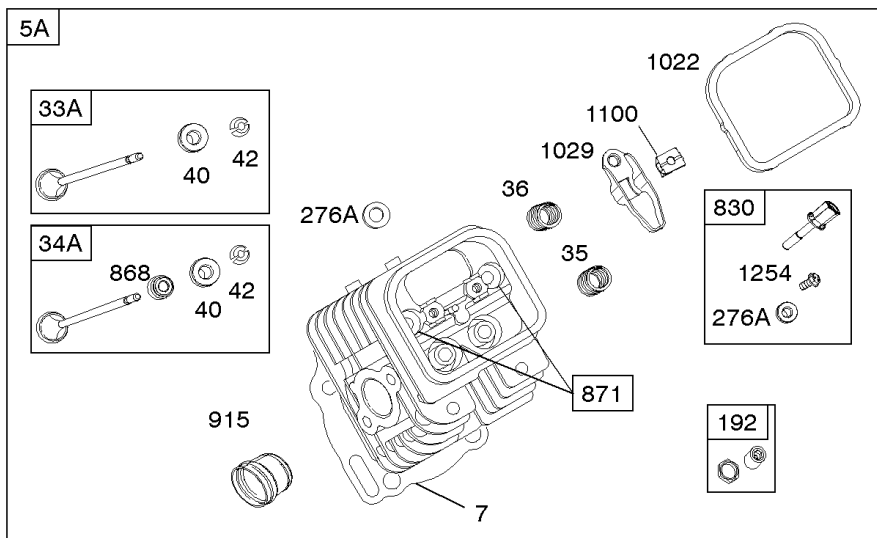
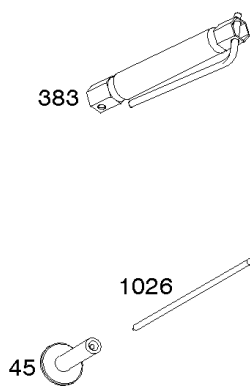
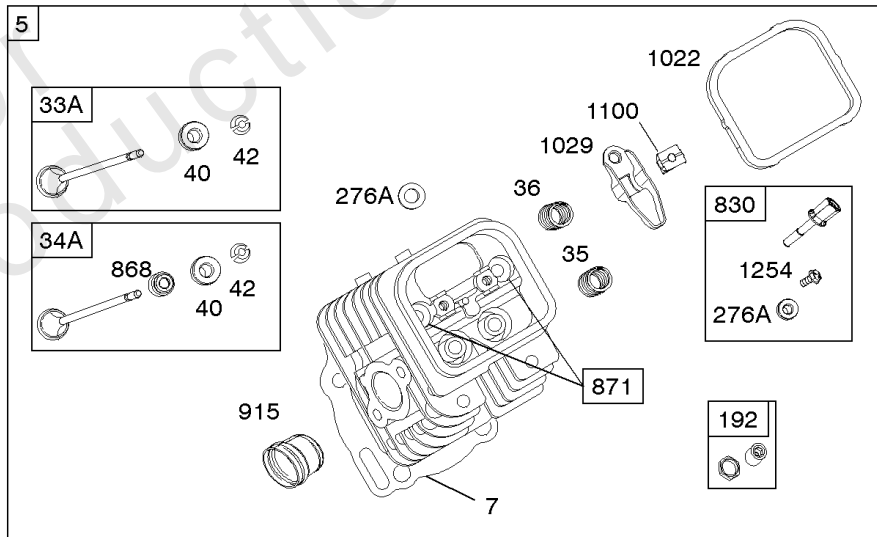
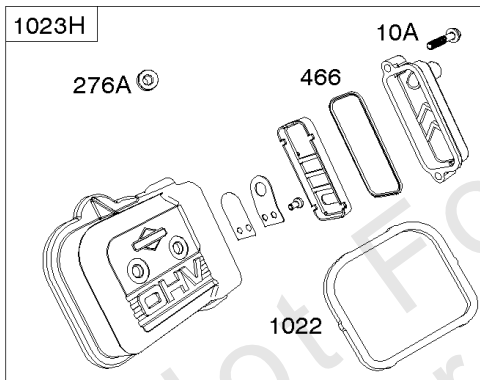
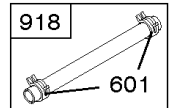
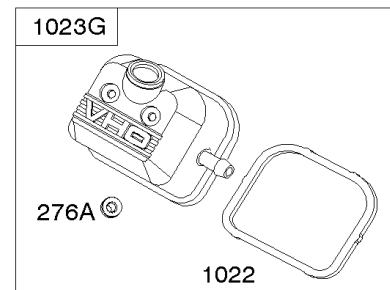
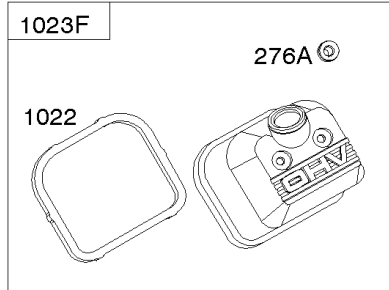
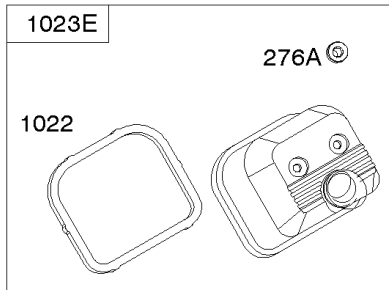
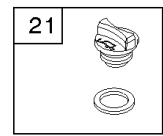
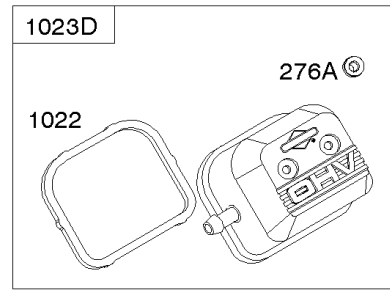
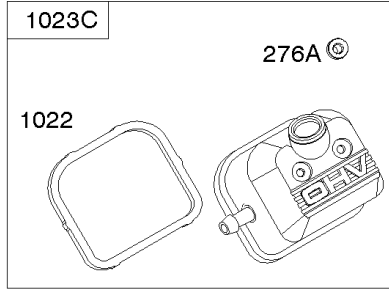
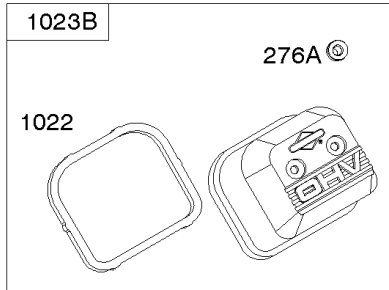
## Crankcase Cover, Intake Manifold

REF NO	PART NO	QTY	DESCRIPTION
552	690701		BUSHING, Governor Crank -(Output End)
552A	806686		BUSHING, Governor Crank
587	807116		CLAMP, Cable
596	691492		SCREW -(Oil Pump)
601E	593879		CLAMP, Hose
614	691550		PIN, Cotter
616	806685		CRANK, Governor
633	690722		SEAL, Choke/Throttle Shaft
633A	806131		SEAL, Choke/Throttle Shaft
650	841233		SCREW -(Oil Deflector) (Oil Deflector)
691	842826		SEAL, Governor Shaft
947A	692094		SOLENOID, Fuel
964A	807468		CAP, Carburetor
1017	690900		SCREEN, Oil Pump
1024	-----		Pump-Oil -(Oil Pump is No Longer Available) (See Reference 18 for correct replacement Crankcase Cover) -Used Before Code Date 07101500
1024	843825		PUMP, Oil -Used After Code Date 07101400
1054	280275		TIE, Cable
1091A	844448		CAP, Limiter
1176	842067		NUT -(Exhaust Manifold)



## Cylinder Head, Valves, Valve Covers

REF NO	PART NO	QTY	DESCRIPTION
5	809185		HEAD, Cylinder -(Cylinder 1)
5A	809186		HEAD, Cylinder -(Cylinder 2)
7	845884		GASKET, Cylinder Head -(Graphoil)
13	692059		SCREW -(Cylinder Head)
21	809500		CAP, Oil Fill
33A	807681		VALVE, Exhaust
34A	807680		VALVE, Intake
35	692084		SPRING, Valve -(Intake)
36	692084		SPRING, Valve -(Exhaust)
40	692058		RETAINER, Valve
42	807683		KEEPER, Valve
45	843379		TAPPET, Valve
192	807623		ADJUSTER, Rocker Arm
276A	807085		WASHER, Sealing -(Head)(Rocker Cover)
337	491055S		PLUG, Spark -(RC12YC - RESISTOR)
337	496018S		PLUG, Spark -(RC14YC - Resistor - Hot)
337	691043		PLUG, Spark -(QC12YC) (EMS) (GOLD TERMINAL)
337	792015		PLUG, Spark -(XC92YC - RESISTOR - EMS)
383	19576S		WRENCH, Spark Plug
601	691038		CLAMP, Hose
635	692076		BOOT, Spark Plug
830	809157		STUD, Rocker Arm -(Rocker Arm)
868	691963		SEAL, Valve
871	692057		BUSHING, Valve Guide
914	807120		SCREW -(Rocker Cover)
915	691493		LINER, Port
918	791880		LINE, Fuel -(Cut To Required Length)
1022	806039S		GASKET, Rocker Cover
1023B	691494		COVER, Rocker
1023C	690910		COVER, Rocker -(Cylinder 1) (Fuel Pump)
1023D	691558		COVER, Rocker
1023G	842823		COVER, Rocker
1023H	843750		COVER, Rocker
1023E	691531		COVER, Rocker
1023F	843749		COVER, Rocker
1026	691836		ROD, Push -(Steel)
1026	691758		ROD, Push -(Exhaust)(Aluminum)
1029	807323		ARM, Rocker
1100	791959		PIVOT, Rocker Arm



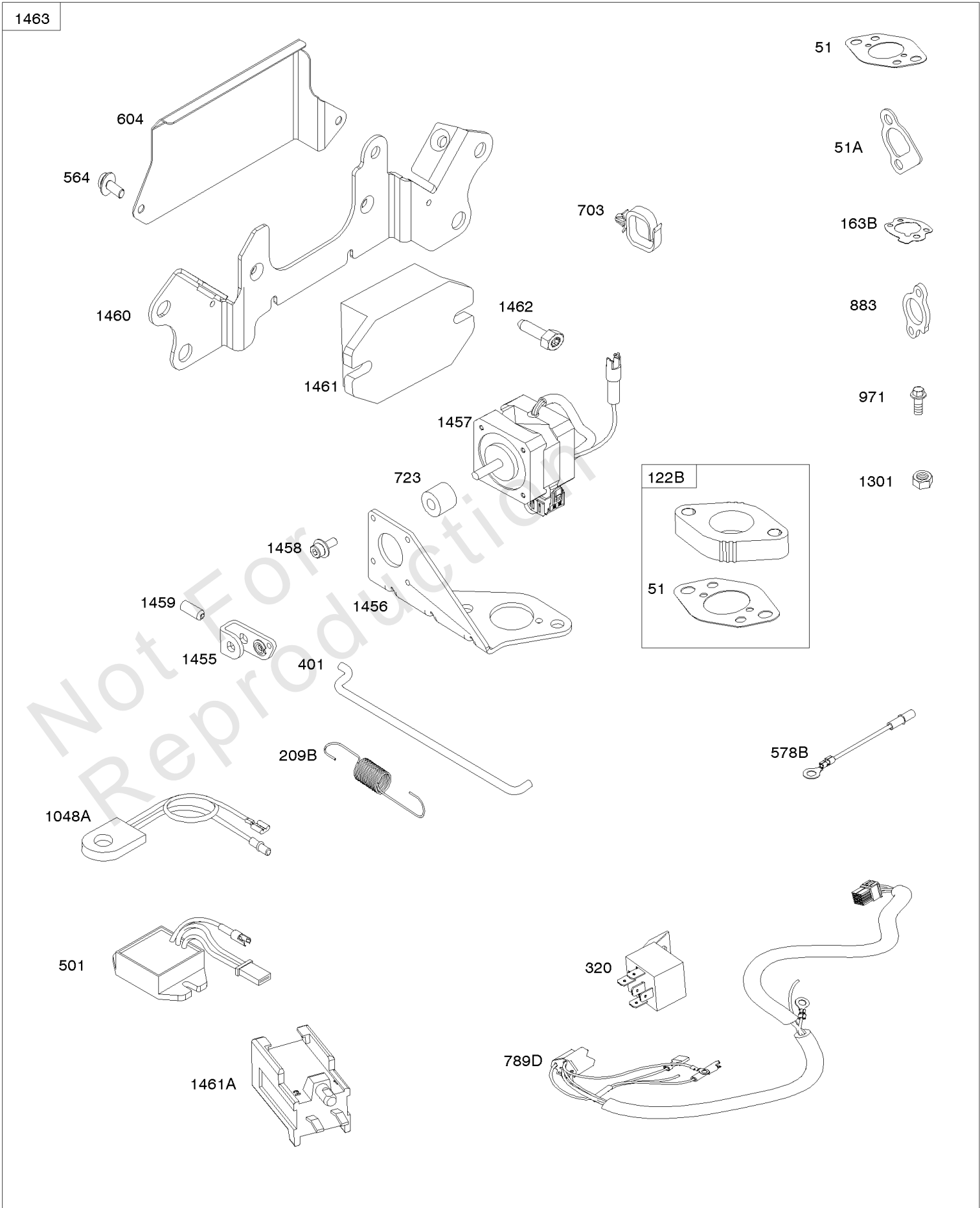
## Cylinder Head, Valves, Valve Covers

---

REF NO	PART NO	QTY	DESCRIPTION
1254	807084		SCREW -(Rocker Arm Stud)

---

Not For Reproduction

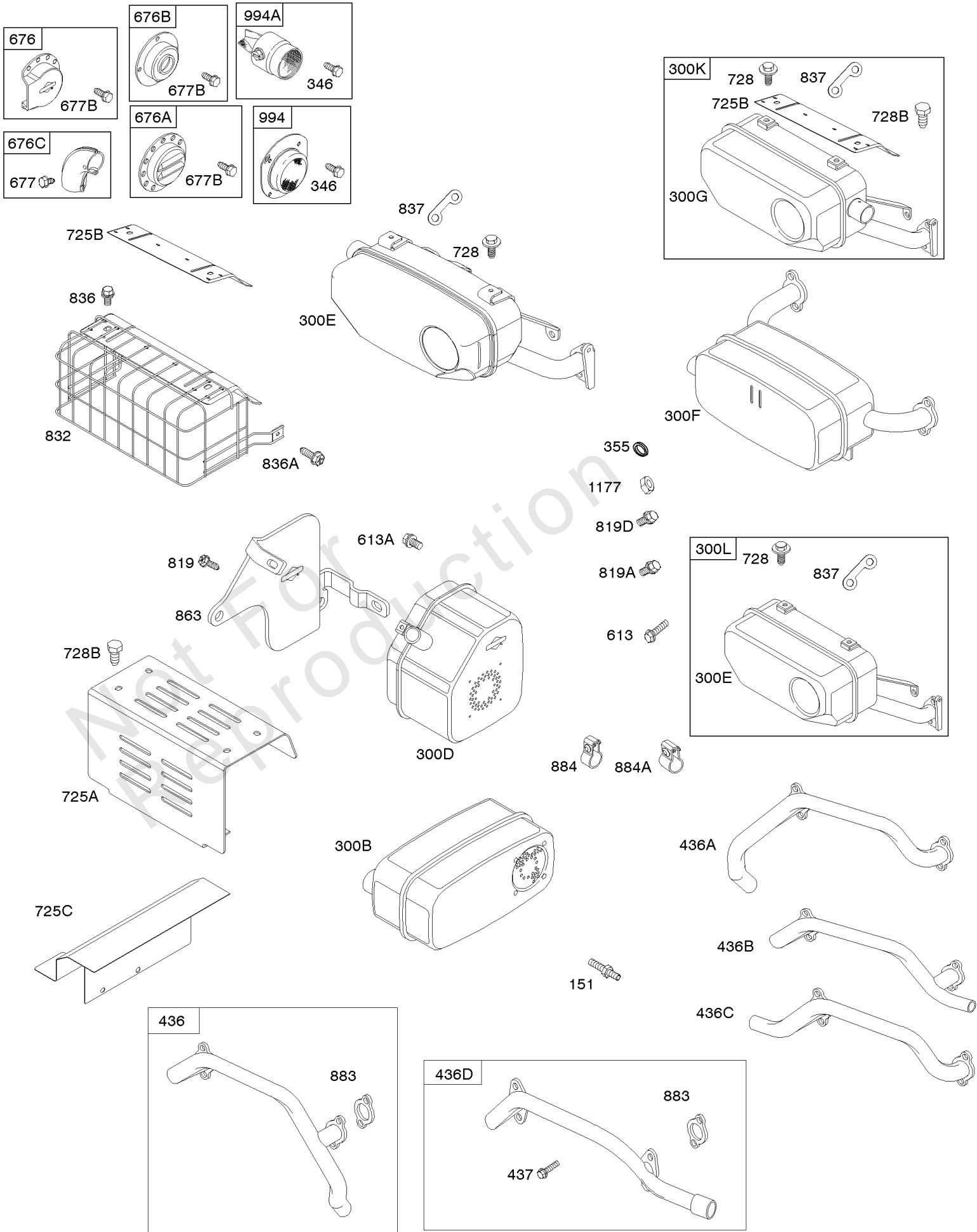




## Electronic Governor

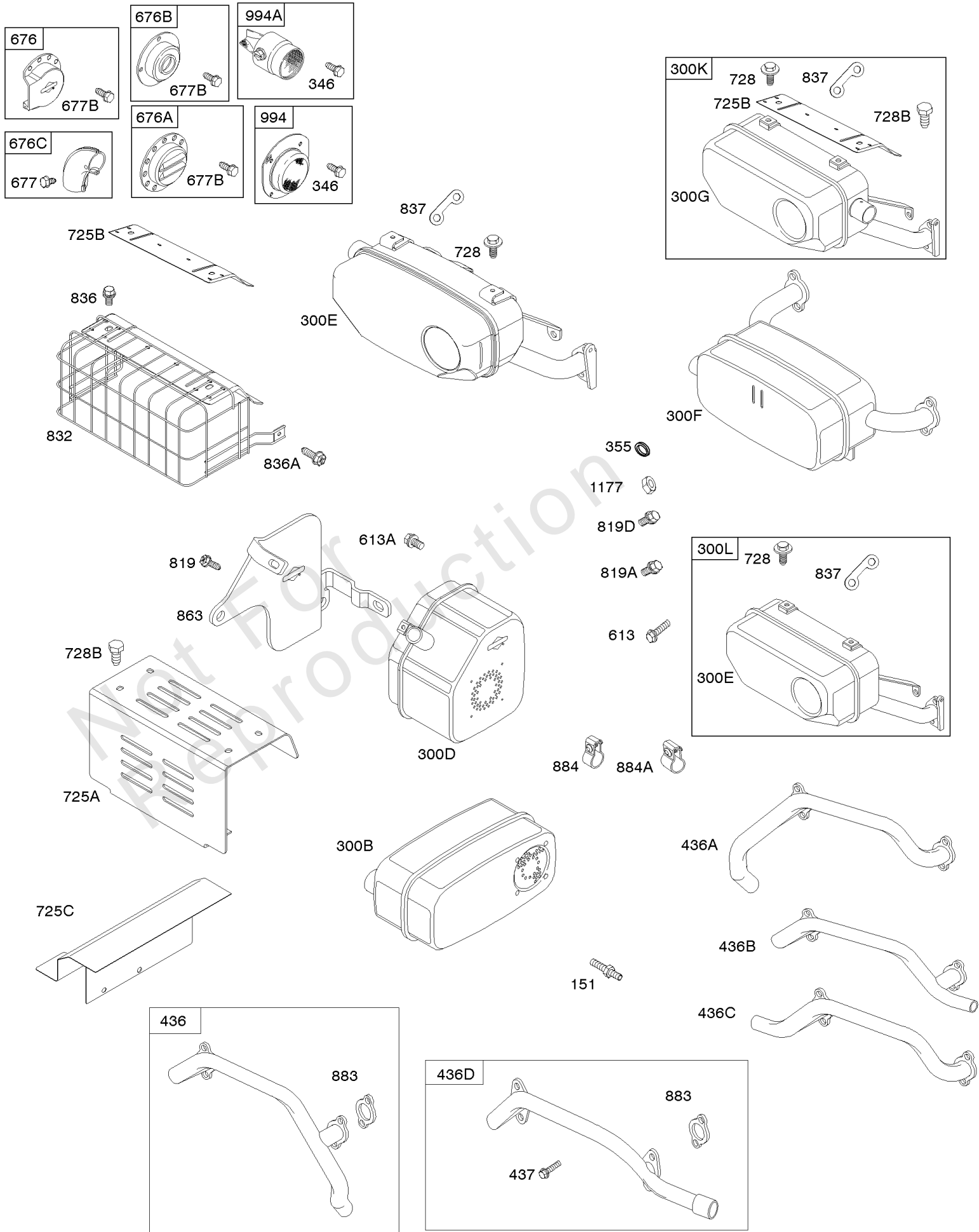
REF NO	PART NO	QTY	DESCRIPTION
51	691694		GASKET, Intake -(Manifold To Carburetor)
51A	692035		GASKET, Intake -(Manifold to Cylinder Head)
163B	844931		GASKET, Air Cleaner
501	845907		REGULATOR
564	690677		SCREW -(Control Cover)
578B	845849		WIRE ASSEMBLY
883	691613		GASKET, Exhaust
971	807084		SCREW -(Air Cleaner Base to Carburetor/Throttle Body) (M6x14mm)
1048A	845556		MODULE, Electronic Governor
1301	845823		NUT -(Wiring Harness) (#8-32)

Not For Reproduction



## Exhaust System

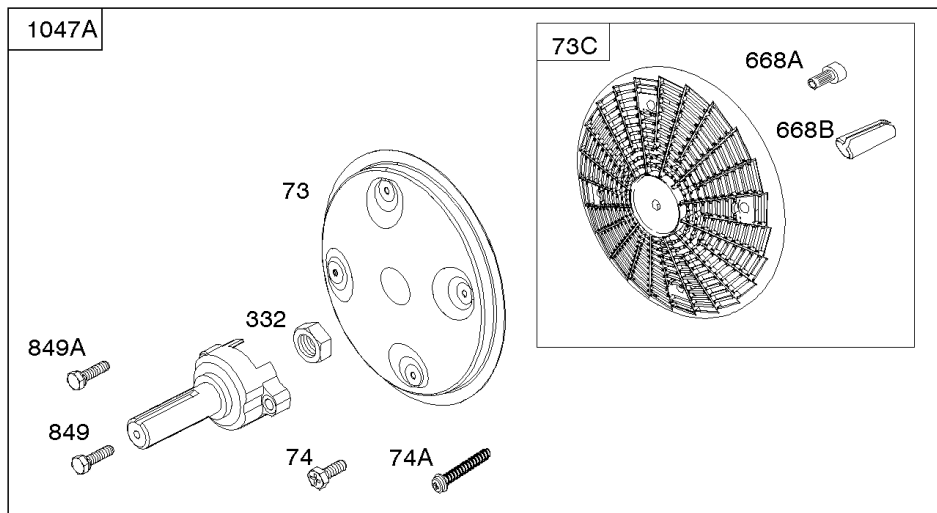
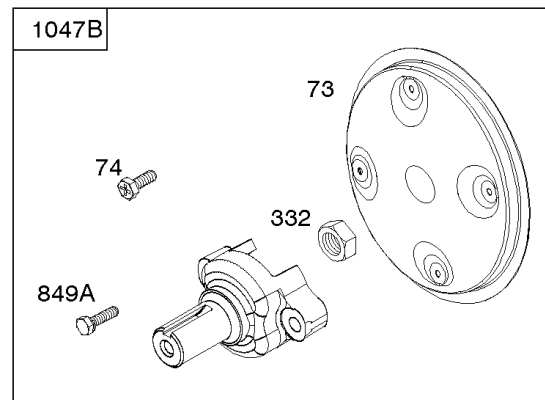
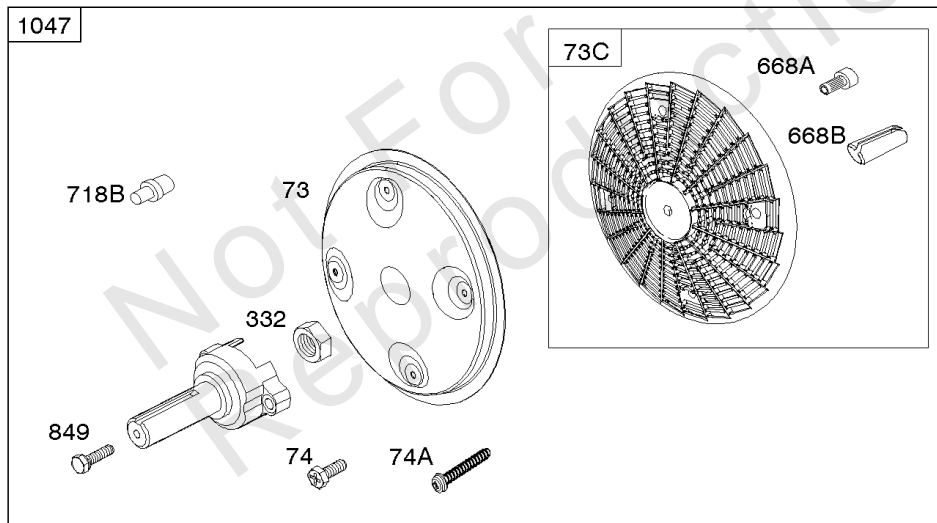
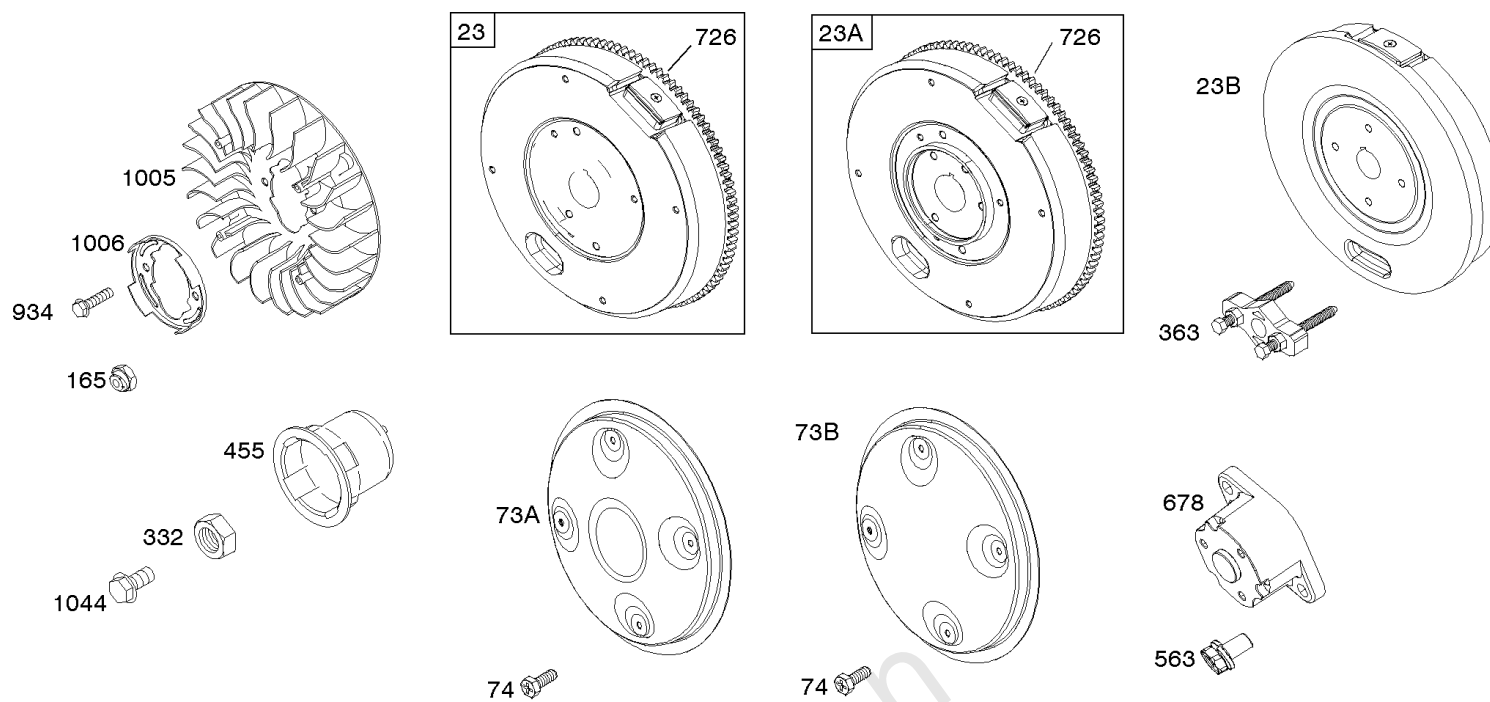
REF NO	PART NO	QTY	DESCRIPTION
151	841185		STUD -(Exhaust Manifold)
300D	692099		MUFFLER
300E	690906		MUFFLER
300K	808379		MUFFLER
300L	808380		MUFFLER
346	690661		SCREW -(Spark Arrestor) (#8-18 x 0.375 lg)
355	690944		WASHER -(Muffler Bracket)
436	692061		MANIFOLD, Exhaust -(Lo Mount)(Oil Filter Side)
436A	691499		MANIFOLD, Exhaust -(Lo Mount)(Starter Motor Side)
436B	691501		MANIFOLD, Exhaust
436C	691502		MANIFOLD, Exhaust -(Cylinder 1) (Side Outlet)
436D	805609		MANIFOLD, Exhaust
437	691902		SCREW -(Exhaust Manifold) (M8x20mm)
613	691902		SCREW -(Muffler) (M8x20mm)
613A	692067		SCREW -(Muffler) (M6x12mm)
676	795036		DEFLECTOR, Muffler
676A	795038		DEFLECTOR, Muffler
676B	396903		DEFLECTOR, Muffler
676C	495518		DEFLECTOR, Muffler
677	810079		SCREW -(Muffler Deflector)
677B	690661		SCREW -(Muffler Deflector) (#8-18 x 0.375 lg)
725A	805702		SHIELD, Heat
725B	691498		SHIELD, Heat
725C	806102		SHIELD, Heat
728	691514		SCREW -(Heat Shield)
728B	692067		SCREW -(Heat Shield) (M6x12mm)
819	692056		SCREW -(Muffler Bracket) (M8x14mm)
819A	690943		SCREW -(Muffler Bracket) (M8x16mm)
819D	692062		SCREW -(Muffler Bracket) (M8x18mm)
832	691571		GUARD, Muffler
836	691514		SCREW -(Muffler Guard)
836A	692067		SCREW -(Muffler Guard) (M6x12mm)
837	808085		SPACER -(Includes 2)
863	691513		BRACKET, Muffler
883	691613		GASKET, Exhaust
884	690898		CLAMP, Muffler
884A	691956		CLAMP, Muffler
994	794945		ARRESTOR, Spark



## Exhaust System

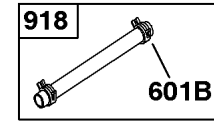
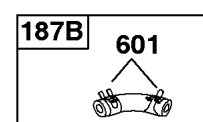
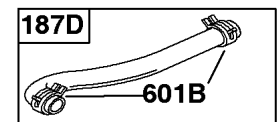
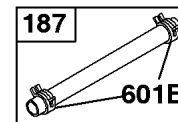
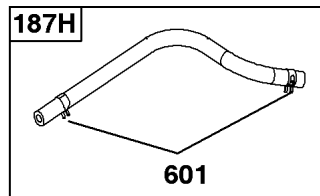
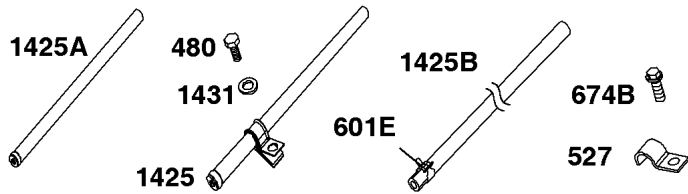
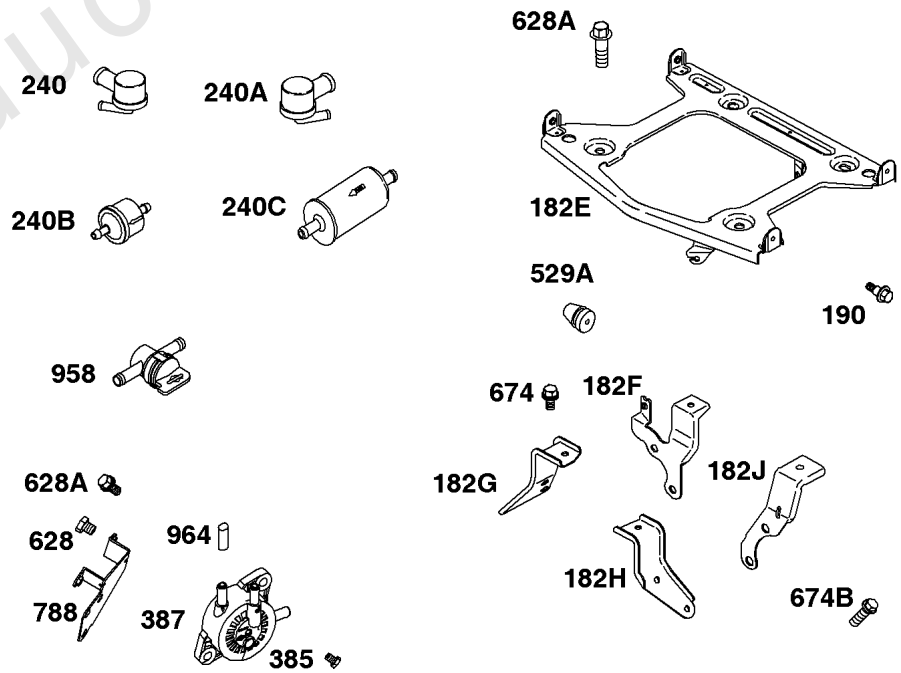
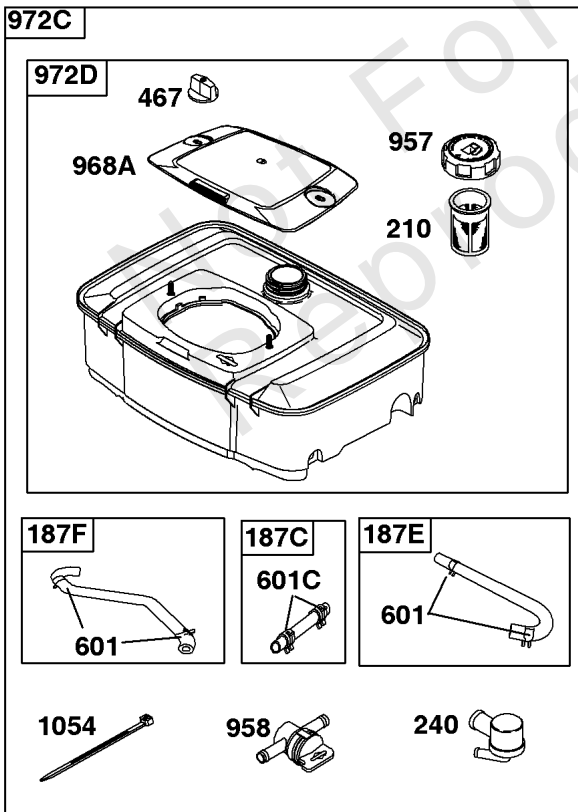
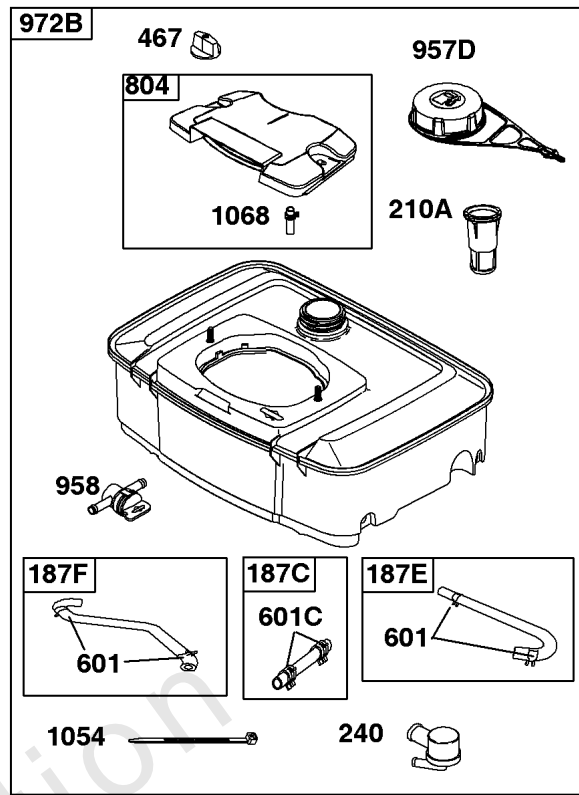
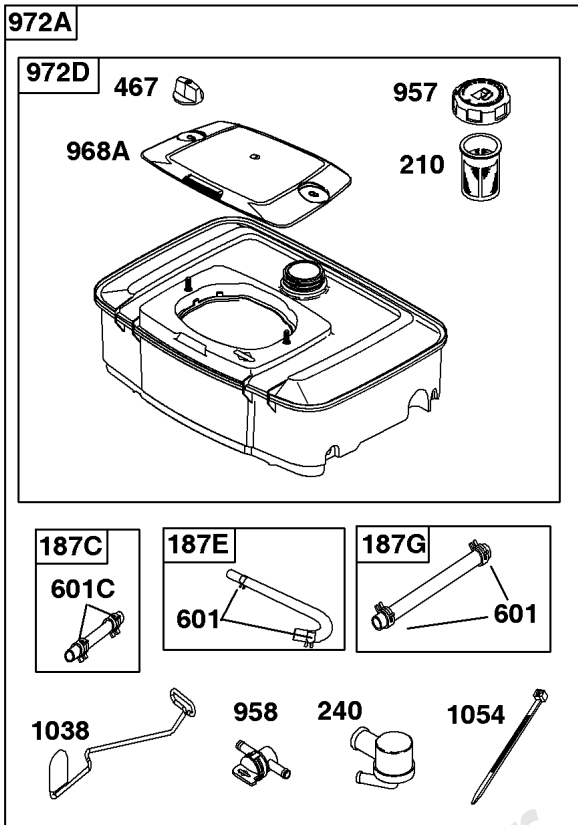
REF NO	PART NO	QTY	DESCRIPTION
994A	808361		ARRESTOR, Spark
1177	845823		NUT -(Muffler) (M8)

Not For Reproduction



## ***Flywheel, Rotating Screen, Stub Shaft***

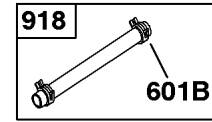
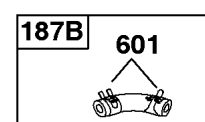
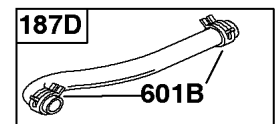
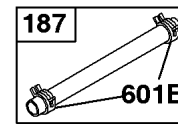
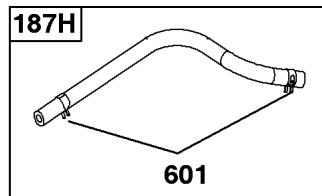
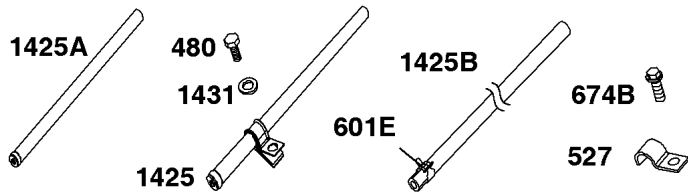
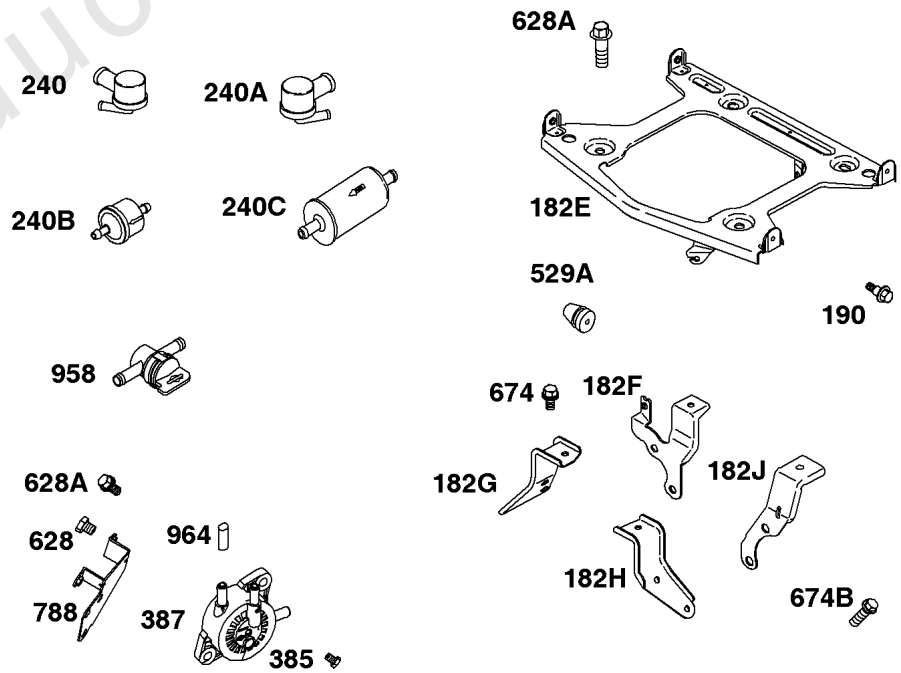
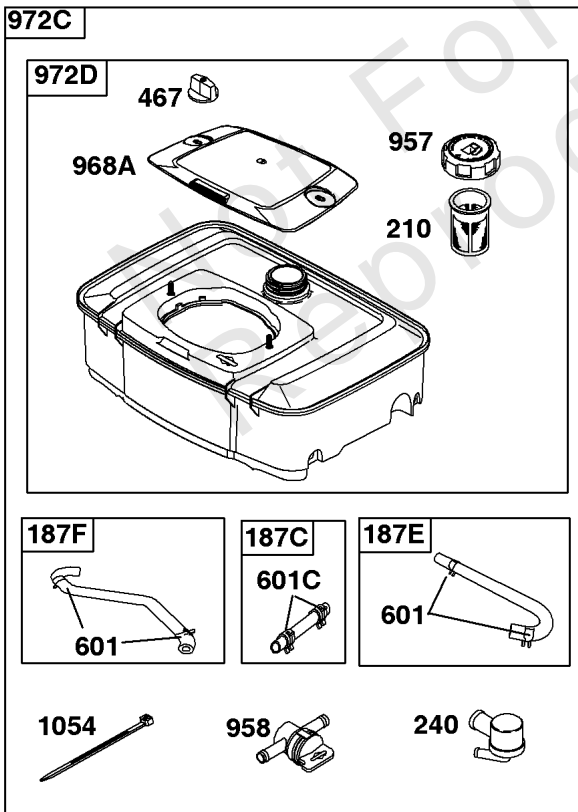
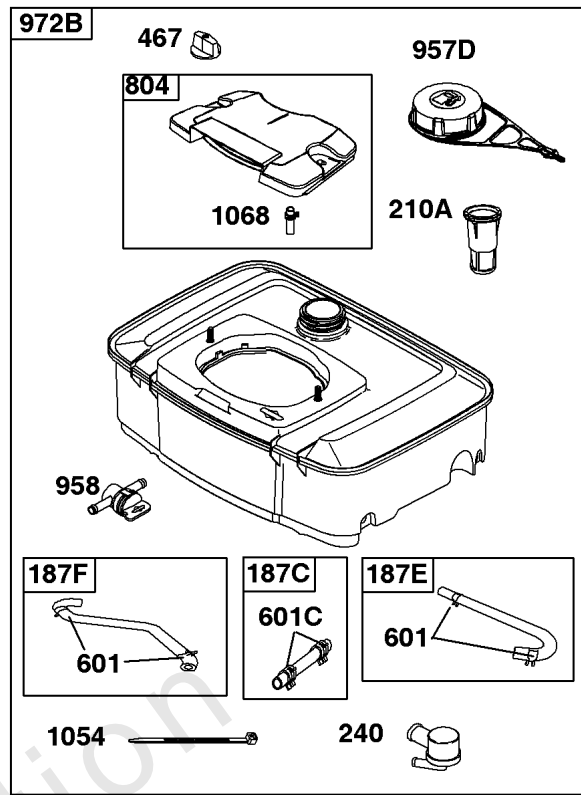
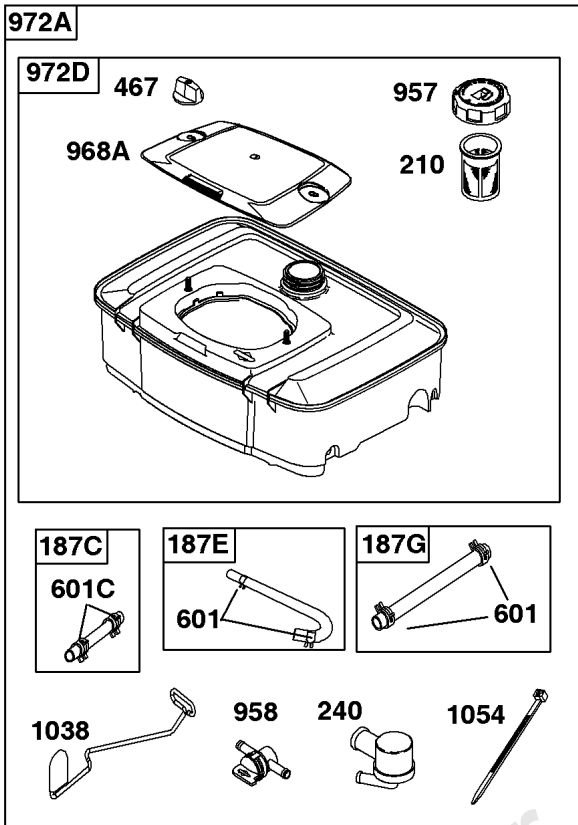
<b>REF NO</b>	<b>PART NO</b>	<b>QTY</b>	<b>DESCRIPTION</b>
23	809236		FLYWHEEL -(Steel Ring Gear)
73A	841662		SCREEN, Rotating
74	841441		SCREW -(Rotating Screen) (M5x14mm)
165	693148		NUT -(Ring Gear)
332	690887		NUT -(Flywheel)
363	19203		PULLER, Flywheel
455	841794		CUP, Flywheel
563	841735		SCREW -(Debris Screen Guard)
668A	691500		SPACER
668B	691215		SPACER
678	841730		SPACER -(Rewind)
718B	841581		PIN, Locating -Used After Code Date 04021500
718B	690740		PIN, Locating -Used Before Code Date 04021600
726	----		Gear-Ring -(Steel)(See Reference 23 for Service)
849	691088		SCREW -(Stub Shaft) (5/16-18x1.1)
849A	846236		SCREW -(Stub Shaft) (M8x34mm)
934	691058		SCREW -(Fan Retainer)
1005	841439		FAN, Flywheel
1006	690452		RETAINER, Fan
1044	692056		SCREW -(Flywheel) (M8x14mm)
1047	841580		SHAFT, Stub





## Fuel Supply

REF NO	PART NO	QTY	DESCRIPTION
182E	841601		BRACKET, Fuel Tank
182F	691520		BRACKET, Fuel Tank
182H	691524		BRACKET, Fuel Tank
182J	691525		BRACKET, Fuel Tank
182G	841600		BRACKET, Fuel Tank
187E	844556		LINE, Fuel
187F	844560		LINE, Fuel
187H	846318		LINE, Fuel -Used After Code Date 15061600
190	692199		SCREW -(Fuel Tank)
210	691370		STRAINER, Fuel
240	844545		FILTER, Fuel
240A	808116S		FILTER, Fuel
240C	845125		FILTER, Fuel
240B	84001895		FILTER, Fuel
385	807084		SCREW -(Fuel Pump)
387	844642		PUMP, Fuel
467	844618		KNOB, Air Cleaner Cover -Used After Code Date 10033100 -Used Before Code Date 14102400
467	691985		KNOB, Air Cleaner Cover -Used Before Code Date 10040100
480	806660		SCREW -(Tube Clamp) (M8x18mm)
527	690423		CLAMP, Tube
529A	691527		GROMMET
601	691038		CLAMP, Hose
601B	791850		CLAMP, Hose
601C	691522		CLAMP, Hose
601E	593879		CLAMP, Hose
628	806660		SCREW -(Fuel Pump Bracket) (M8x18mm)
628A	692062		SCREW -(Fuel Pump Bracket) (M8x18mm)
674	692056		SCREW -(Fuel Tank Bracket) (M8x14mm)
674B	692062		SCREW -(Fuel Tank Bracket) (M8x18mm)
788	844643		BRACKET, Fuel Pump
804	844727		CANISTER, Carbon -(EVAP)
918	791880		LINE, Fuel -(Cut To Required Length)
957	846987		CAP, Fuel Tank -(Standard Grip)
957A	844728		CAP, Fuel Tank -(Tethered Cap)
957D	847578		CAP, Fuel Tank
958	698183		VALVE, Fuel Shut Off
958	692008		VALVE, Fuel Shut Off -(Used on models with Fuel Shut-off Rods ref #1038)
964	590799		CAP, Connector
972B	844726		TANK, Fuel
1038	844555		ROD, Fuel Shut Off



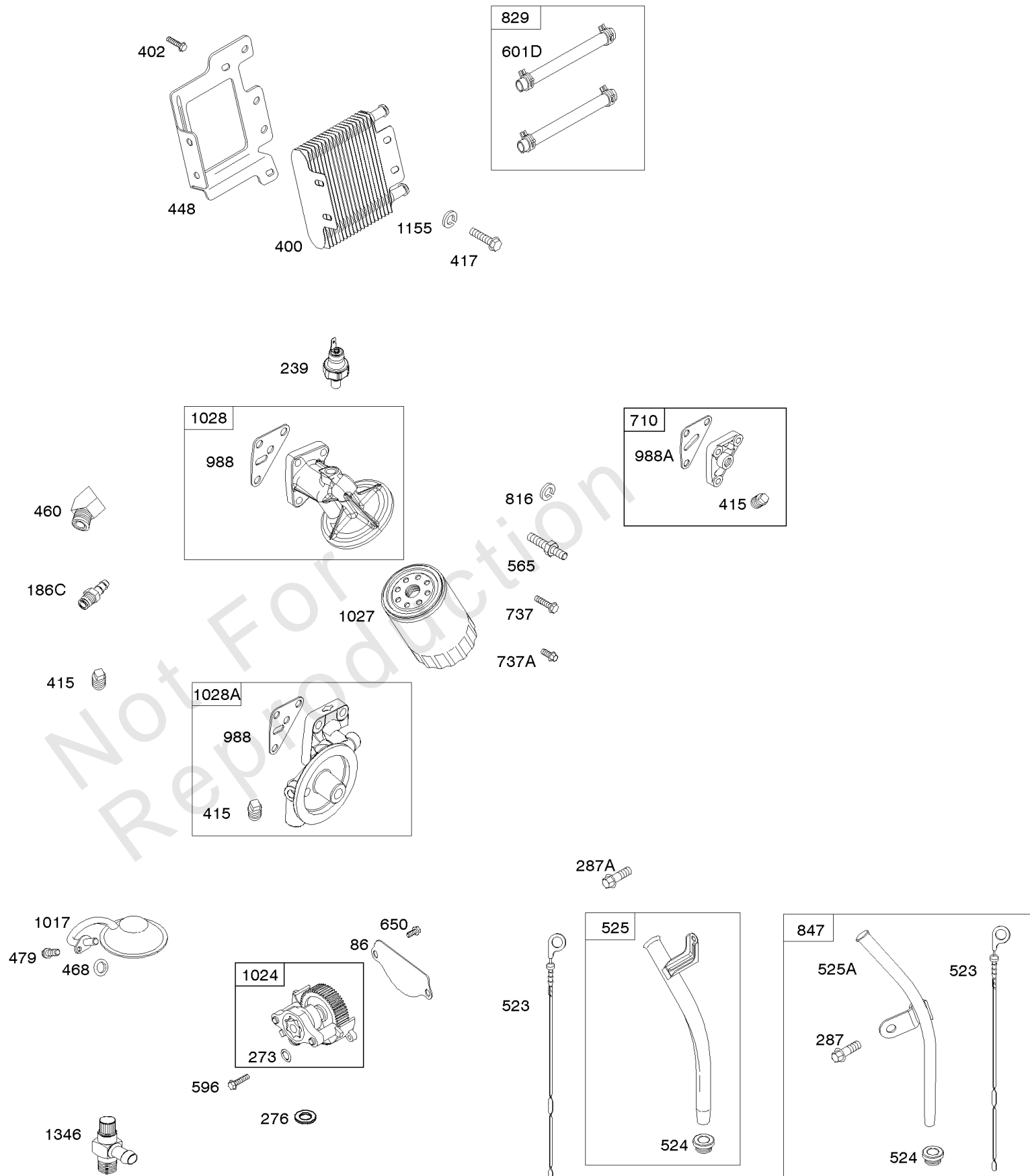
## Fuel Supply

---

REF NO	PART NO	QTY	DESCRIPTION
1054	280275		TIE, Cable
1068	845143		HOSE/CLAMP ASSEMBLY
1425	844712		HOSE, Purge Line
1431	844035		WASHER -(Tube Clamp)

---

Not For Reproduction



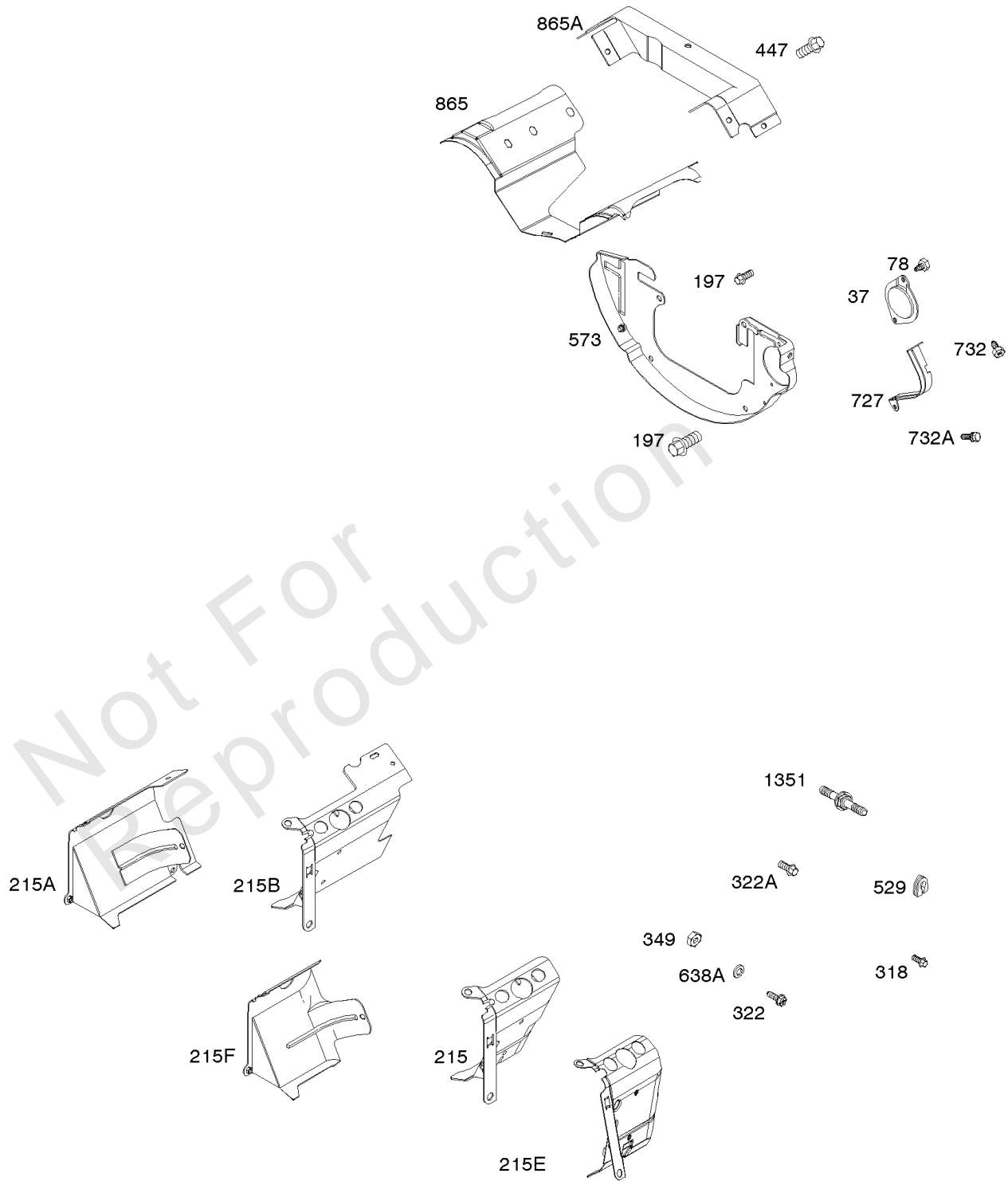
## Lubrication

REF NO	PART NO	QTY	DESCRIPTION
86	690745		COVER, Gear
239	690233		SWITCH, Oil Pressure
273	690681		SEAL, O-Ring -(Oil Pump)
276	690724		WASHER, Sealing
287	692062		SCREW -(Dipstick Tube) (M8x18mm)
287A	806660		SCREW -(Dipstick Tube) (M8x18mm)
402	690679		SCREW -(Oil Filter Cover) (M6x21mm)
415	794903		PLUG -(1/8"-27 NPTF - EXTERNAL SQ)
417	843345		SCREW -(Oil Cooler)
468	690690		SEAL, O-Ring -(Oil Pump Screen)
479	807084		SCREW -(Oil Pump Screen)
523	693175		DIPSTICK
524	693172		SEAL, O-Ring -(Dipstick Tube)
525	693174		TUBE, Dipstick
565	690682		STUD -(Oil Filter Adapter)
596	691492		SCREW -(Oil Pump)
650	841233		SCREW -(Oil Deflector) (Oil Deflector)
710	807689		COVER, Oil Filter
737	690679		SCREW -(Oil Filter Adapter) (M6x21mm)
737A	841233		SCREW -(Oil Filter Adapter) (M6x10mm)
816	690706		WASHER -(Oil Filter Adapter)
988	692063		GASKET, Oil Adapter
988A	690687		GASKET, Oil Adapter
1017	690900		SCREEN, Oil Pump
1024	-----		Pump-Oil -(Oil Pump is No Longer Available) (See Reference 18 for correct replacement Crankcase Cover) -Used Before Code Date 07101500
1024	843825		PUMP, Oil -Used After Code Date 07101400
1027	842921		FILTER, Oil
1028A	808033		ADAPTER, Oil Filter
1346	492031		VALVE, Oil Drain Shut Off

## Replacement Engine - US & Canada

REF NO	PART NO	QTY	DESCRIPTION
	496238	1	Replacement Short Block
	3564470566	1	Replacement Engine
	-----		Top No-Load Speed: 3600 -Trim: ALL
	-----		Service Note: For all Go-Karts use only a Model 136200 series engine as a replacement, regardless of the original Model.

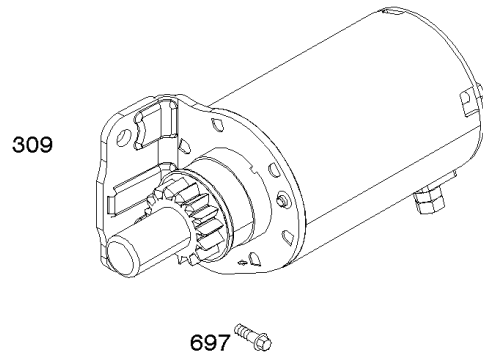
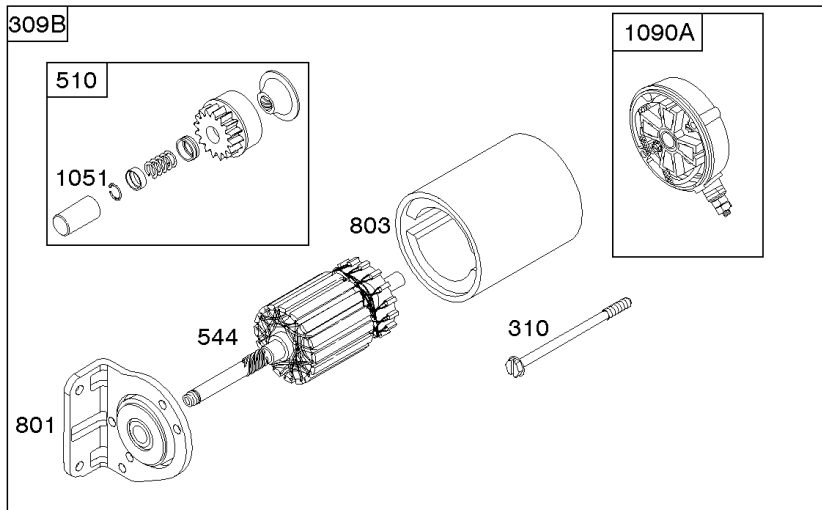
Not For Reproduction



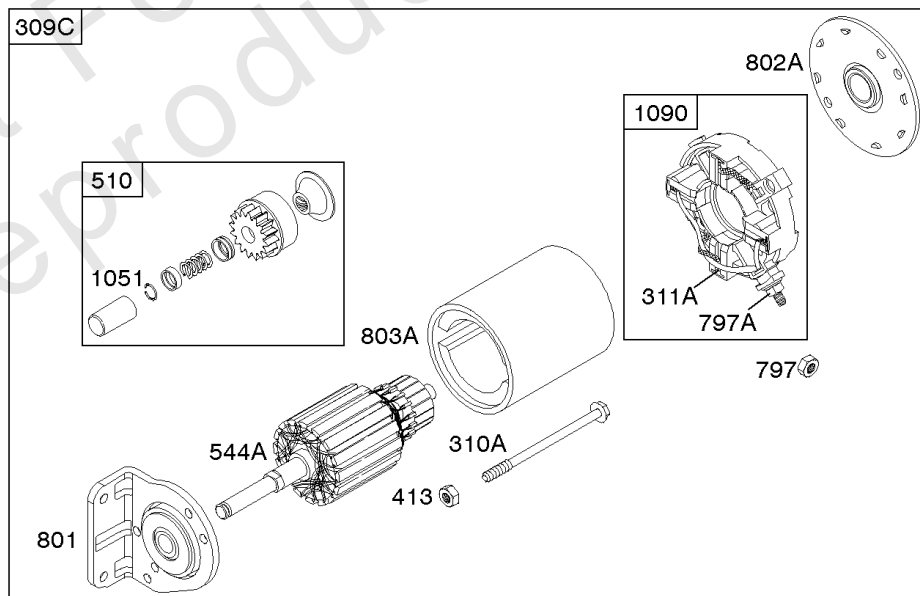
## Shrouds

REF NO	PART NO	QTY	DESCRIPTION
37	841309		GUARD, Flywheel
78	690688		SCREW -(Flywheel Guard)
197	807163		SCREW -(Back Plate)
215	841183		GUIDE, Air -(Cylinder 1)
215F	841182		GUIDE, Air -(Cylinder 2)
318	690932		SCREW -(Mounting Bracket)
322	841233		SCREW -(Cylinder Head Cover)
349	690238		NUT -(Cylinder Head Cover)
447	841233		SCREW -(Air Guide Cover)
529	690744		GROMMET
573	841310		PLATE, Back
727	841313		COVER, Starter Drive
732	690688		SCREW -(Starter Drive Cover)
732A	841233		SCREW -(Starter Drive Cover)
865	843768		COVER, Air Guide -(Black)
1351	690682		STUD -(Cylinder Shield) (Cylinder Shield)





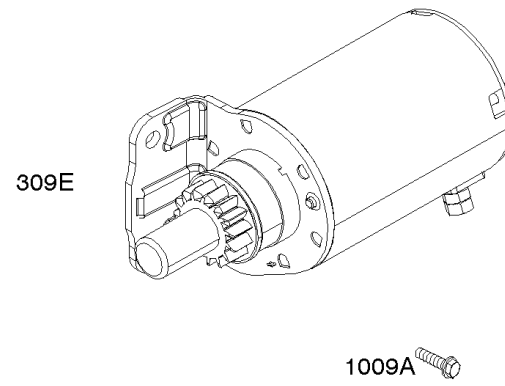
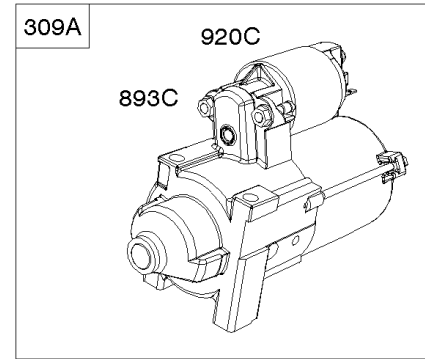
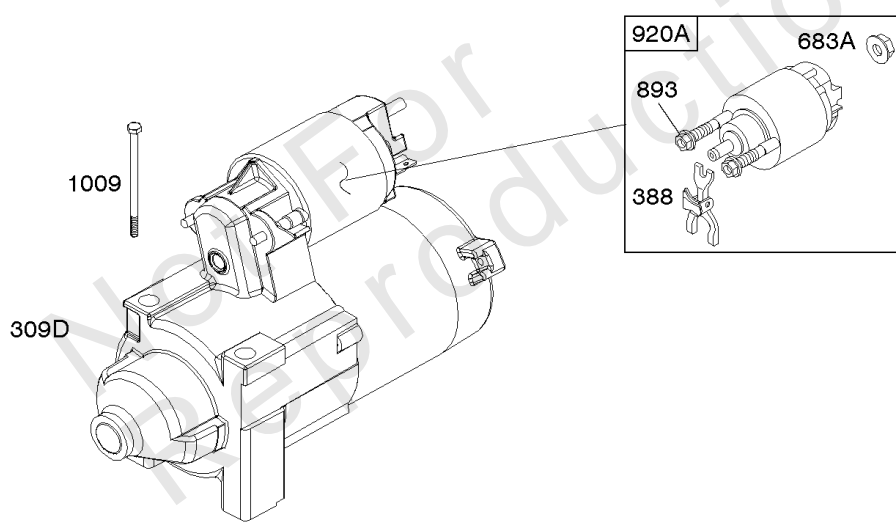
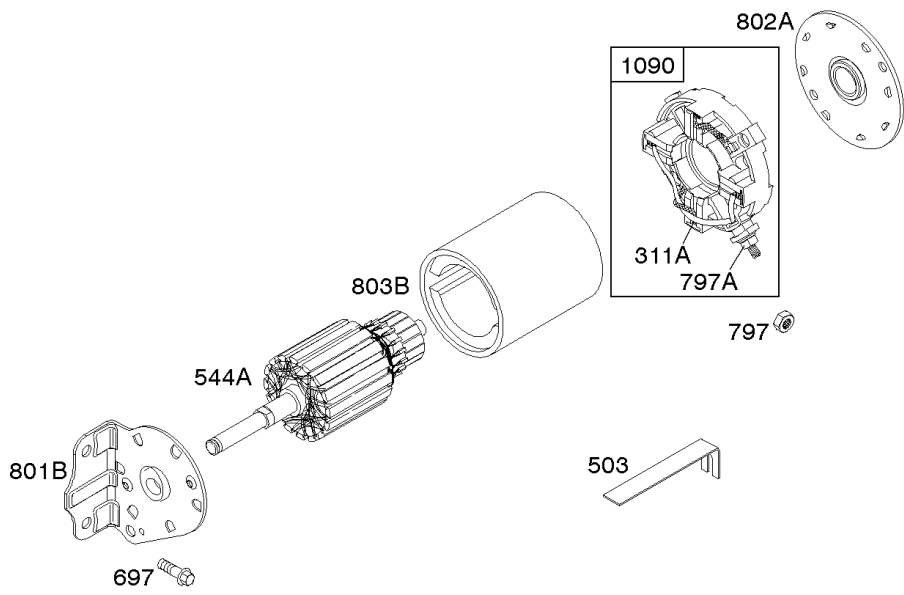
697



697

## Starter - Electric #1

REF NO	PART NO	QTY	DESCRIPTION
309	846451		MOTOR, Starter -(Steel Ring Gear Only)
309C	BLANK		MOTOR, Starter -(Replacement Starter Motor, Order Reference 309)
310	-----		Screw -(Starter Motor) (NO LONGER AVAILABLE)
310A	690323		BOLT -(Starter Motor)
311A	497608		SET, Brush
413	693587		NUT -(Starter Motor)
510	496881		DRIVE, Starter -(Steel Pinion Gear)
544	BLANK		MOTOR, Starter -(Replacement Starter Armature, Order 691564 Starter Motor, Reference309)
544A	-----		Armature-Starter -(Service With 846451 Starter Motor Only)
697	692062		SCREW -(Starter Motor) (Drive Cap)
697	691902		SCREW -(Starter Motor) (Drive Cap) (M8x20mm)
797	691029		NUT -(Brush Retainer)
797A	693167		NUT -(Brush Retainer)
801	-----		Cap-Drive -(For Replacement Starter Motor, Order Reference 309)
802A	691286		CAP, End
803	-----		Housing-Starter -(For Replacement Starter Motor, Order Reference 309)
803A	-----		Housing-Starter -(For Replacement Starter Motor, Order Reference 309)
1051	691124		RING, Retaining
1090	691293		RETAINER, Brush
1090A	496813		RETAINER, Brush



## Starter - Electric #2

REF NO	PART NO	QTY	DESCRIPTION
309A	846407		MOTOR, Starter -Used After Code Date 10051700
309E	844717		MOTOR, Starter
311A	497608		SET, Brush
388	820799		LEVER, Pinion Drive
503	691532		STRAP, Starter -(82mm Long)
544A	-----		Armature-Starter -(Service With 846451 Starter Motor Only)
683A	820809		NUT -(Starter Solenoid)
697	691902		SCREW -(Starter Motor) (Drive Cap) (M8x20mm)
697	692062		SCREW -(Starter Motor) (Drive Cap)
797	691029		NUT -(Brush Retainer)
797A	693167		NUT -(Brush Retainer)
801B	691283		CAP, Drive
802A	691286		CAP, End
803B	-----		Housing-Starter -(For Replacement Starter Motor, Order Reference 309)
893	820805		NUT -(Starter Solenoid)
893C	845758		NUT -(Starter Solenoid)
920A	825418		SOLENOID, Starter
920C	845757		SOLENOID, Starter
1009	806474		SCREW -(USE REFERENCE 697 ONLY) (M8X98mm)
1090	691293		RETAINER, Brush

