

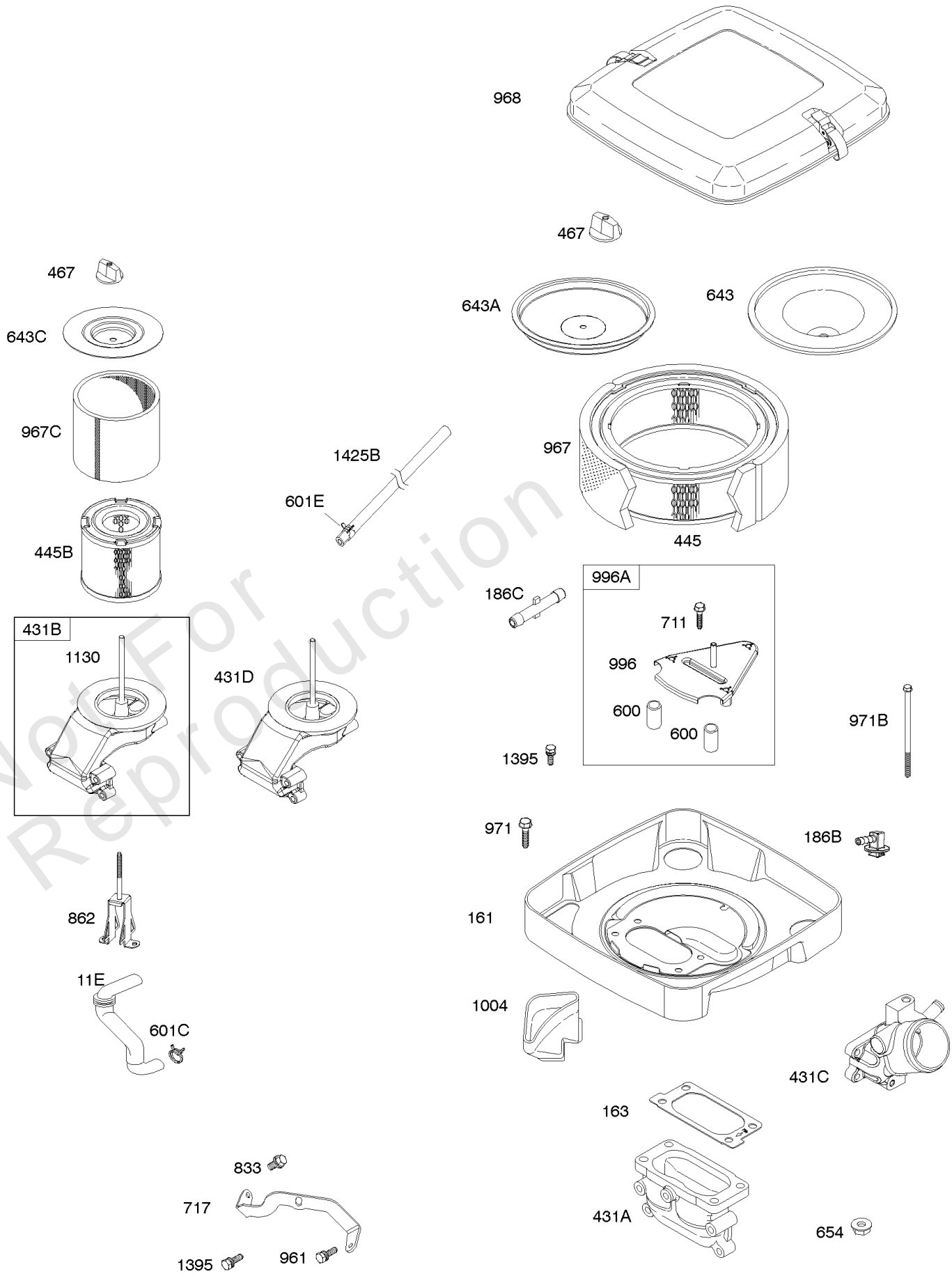


Parts Manual

Mfg. No: 385447-3075-G1

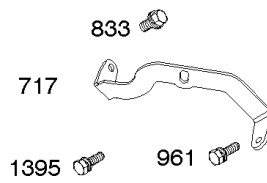
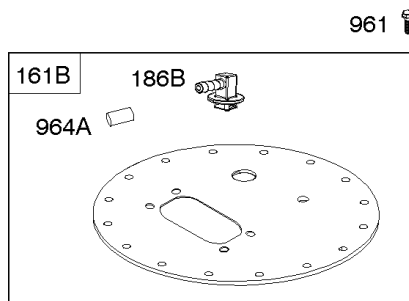
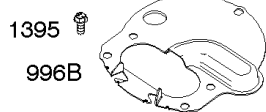
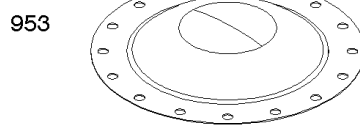
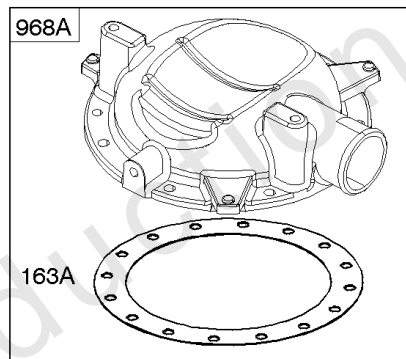
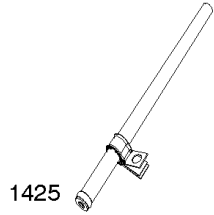
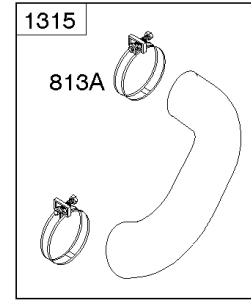
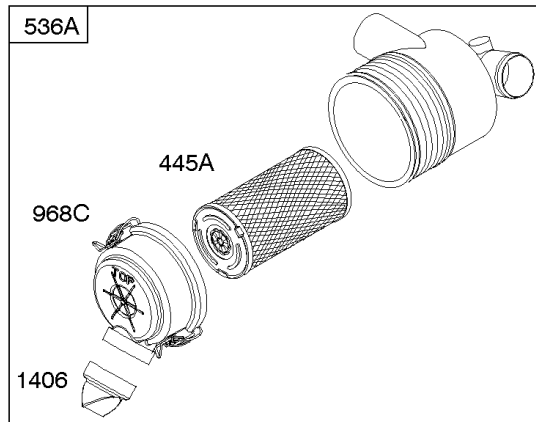
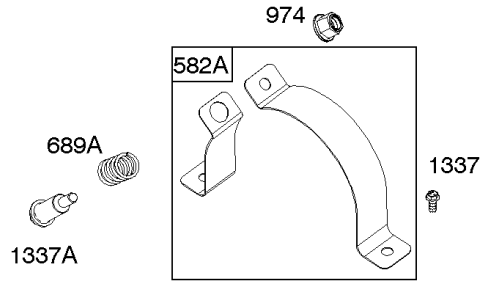
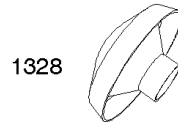
Model Components	Page
Air Cleaner.....	4
Air Cleaner - Cyclonic.....	6
Alternators, Ignition, Wires, Regulators.....	8
Blower Hsngs, Air Guides, Back Plate, Debris Screen.....	12
Carburetor Overhaul Kit, Engine/Valve Gasket Sets.....	14
Carburetors.....	16
Controls, Springs, Links, Choke Levers.....	18
Crankcase Cover, Oil Cooler, Lubrication, Dipstick.....	22
Cylinder Heads, Valve Covers.....	26
Cylinder, Piston/Rings/Connecting Rod, Camshaft.....	30
Electric Starters.....	34
Flywheel, Rotating Screens, Rewind Starter.....	36
Fuel Tank, Fuel Pumps, Fuel Filters, Fuel Lines.....	38
Intake Manifolds, Exhaust Systems, Fuel Pumps.....	40
Replacement Engine - US & Canada.....	42

Not For
Reproduction



Air Cleaner

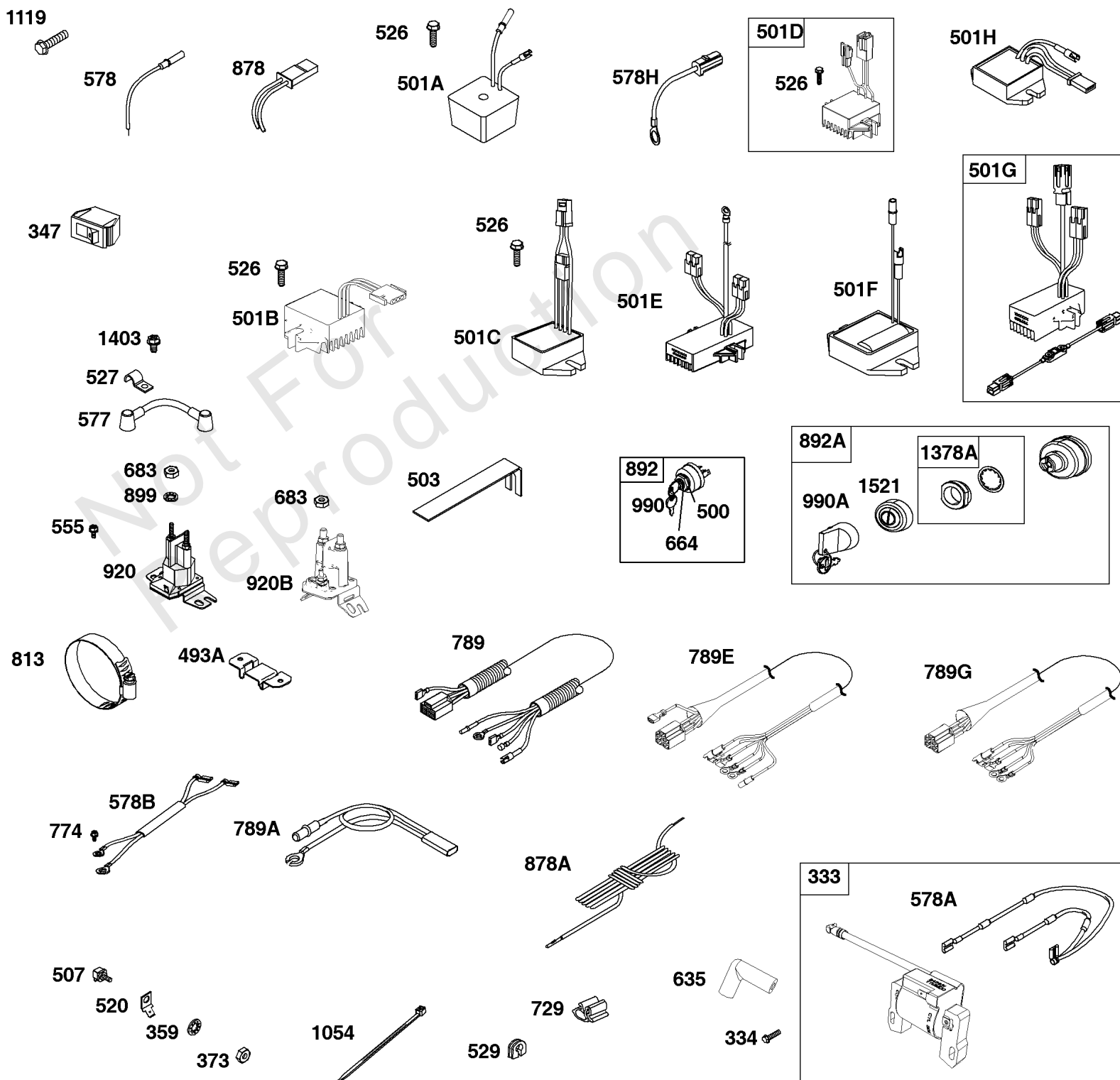
REF NO	PART NO	QTY	DESCRIPTION
161	845216		BASE, Air Cleaner
161	808655		BASE, Air Cleaner
163	692087		GASKET, Air Cleaner -(Air Cleaner)
186C	845121		CONNECTOR, Hose
431A	691534		MANIFOLD, Intake -(Air Cleaner)
445	692519		FILTER, A/C Cartridge
467	846431		KNOB, Air Cleaner Cover -Used After Code Date 10033100
467	691985		KNOB, Air Cleaner Cover -Used Before Code Date 10040100
600	845213		SPACER, Air Cleaner
601C	691145		CLAMP, Hose -(Breather Tube)
643	692079		RETAINER, Air Filter
643A	844932		RETAINER, Air Filter
654	690939		NUT -(Carburetor)
711	691492		SCREW -(Carburetor Shield) (M6x30mm)
717	843332		BRACKET, Air Cleaner
833	691593		SCREW -(Air Cleaner Mounting Strap/Stud) (M6x12mm)
833	807084		SCREW -(Air Cleaner Mounting Strap/Stud) (M6x14mm)
833	807163		SCREW -(Air Cleaner Mounting Strap/Stud) (M6x10mm)
961	807084		SCREW -(Air Cleaner Bracket) (M6x14mm)
967	692520		FILTER, Pre Cleaner
968	808654		COVER, Air Cleaner
971	841233		SCREW -(Air Cleaner Base to Carburetor/Throttle Body) (M6x10mm)
971B	691492		SCREW -(Air Cleaner Base to Carburetor/Throttle Body) (M6x30mm)
996	845212		SHIELD, Carburetor
996A	845543		SHIELD, Carburetor
1004	806422		DUCT, Air
1130	690746		STUD -(Intake Manifold) (M6x106mm)
1395	841233		SCREW -USE REFERENCE 971 (M6x10mm)



Air Cleaner - Cyclonic

REF NO	PART NO	QTY	DESCRIPTION
163	692087		GASKET, Air Cleaner -(Air Cleaner)
717	843332		BRACKET, Air Cleaner
833	807084		SCREW -(Air Cleaner Mounting Strap/Stud) (M6x14mm)
833	691593		SCREW -(Air Cleaner Mounting Strap/Stud) (M6x12mm)
833	807163		SCREW -(Air Cleaner Mounting Strap/Stud) (M6x10mm)
961	807084		SCREW -(Air Cleaner Bracket) (M6x14mm)
964A	807468		CAP, Carburetor
996B	845210		SHIELD, Carburetor -Used Before Code Date 14052300
1046	841165		PLUG, Blower Housing
1328	716244		CAP, A/C Rain
1337	692062		SCREW -(Air Cleaner Clamp) (M8x18mm)
1337A	843112		SCREW -(Air Cleaner Clamp) (M8x18mm)
1395	841233		SCREW -USE REFERENCE 971 (M6x10mm)
1425	844712		HOSE, Purge Line -(Cut To Required Length)

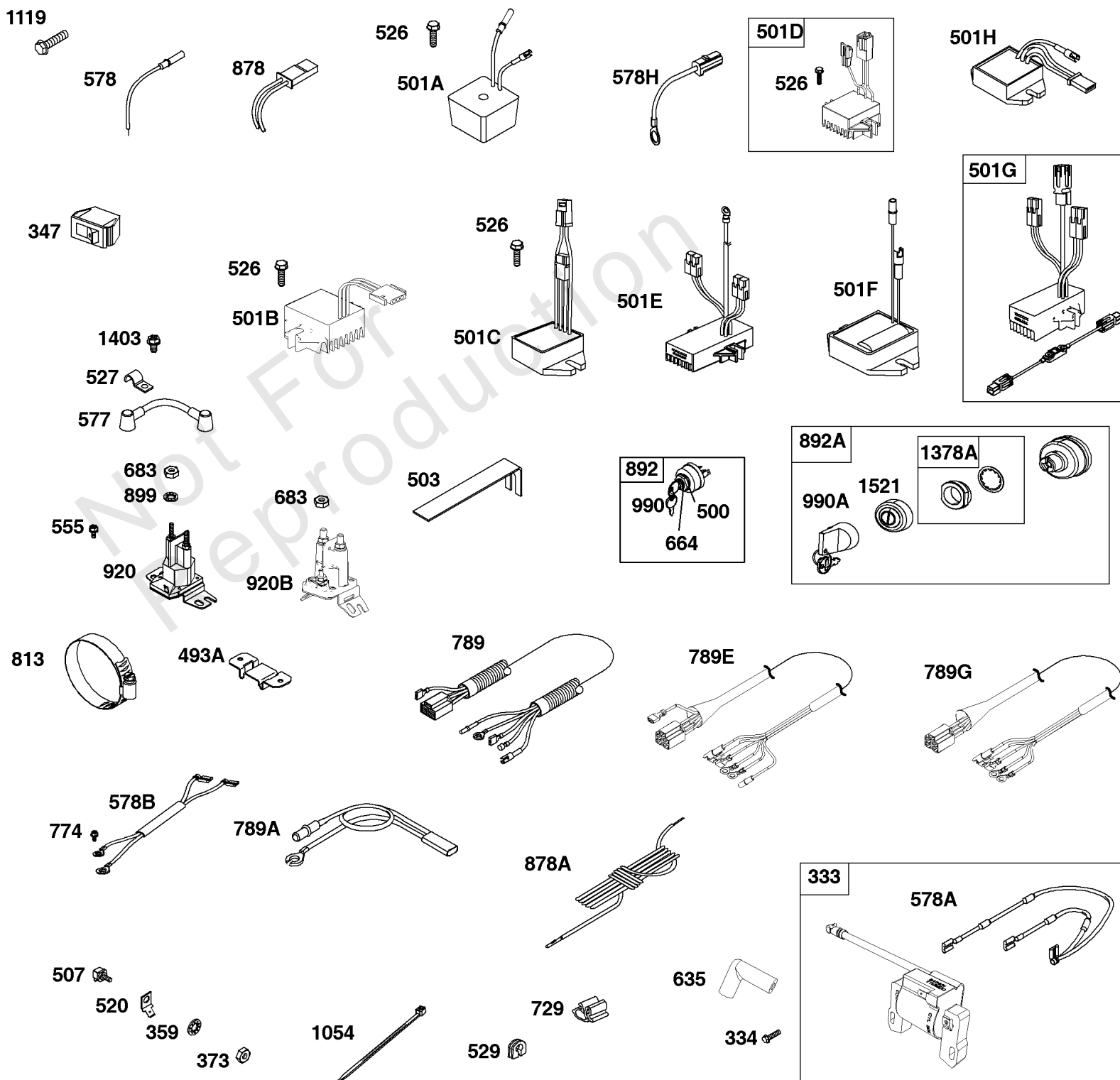
DC ONLY		DUEL CIRCUIT		TRI CIRCUIT		10 AMP		20 AMP		50-AMP	
474A	1059	474B	1059	474C	1059	474D	1059	474E	1059	474F	



Alternators, Ignition, Wires, Regulators

REF NO	PART NO	QTY	DESCRIPTION
10	806421		SCREW -(Breather Assembly)
20	805049S		SEAL, Oil -(PTO Side)
333	845606		ARMATURE, Magneto
334	692066		SCREW -(Magneto Armature)
347	691995		SWITCH, Rocker
359	691077		WASHER -(Ground Terminal)
373	691612		NUT -(Ground Terminal)
474D	592830		ALTERNATOR -(10 AMP)
493A	691177		BRACKET, Mounting
500	691086		WASHER -(Key Switch)
501H	845907		REGULATOR
503	691532		STRAP, Starter -(82mm Long)
503	845016		STRAP, Starter -(60mm)
507	691972		INSULATOR
520	691084		TERMINAL, Ground
526	692067		SCREW -(Regulator) (M6x12mm)
527	690423		CLAMP, Tube
529	690744		GROMMET
555	692067		SCREW -(Starter Solenoid)
577	690795		CABLE, Starter
578	692306		WIRE ASSEMBLY -(Alternator)
578A	844547		WIRE ASSEMBLY
635	692076		BOOT, Spark Plug
664	691087		NUT -(Key Switch)
683	691029		NUT -(Starter Solenoid) (1/4-20)
729	690586		CLIP, Wire
774	692067		SCREW -(Stop Wire)
789A	844914		HARNESS, Wiring -(Solenoid)
813	690635		CLAMP
877	393456		WIRE/CONNECTOR, Alternator
877A	393814		WIRE/CONNECTOR, Alternator -(DC Only)
877C	399916		WIRE/CONNECTOR, Alternator -(2 Wires, 7-53/64)(2 Bare Wire Ends, And Insulated Snap ConnectMale Pin Terminal)
877D	698092		WIRE/CONNECTOR, Alternator
878A	691362		HARNESS, Wiring
892	692318		SWITCH, Key
899	691077		WASHER -(Starter Solenoid)
920B	846820		SOLENOID, Starter

DC ONLY		DUEL CIRCUIT		TRI CIRCUIT		10 AMP		20 AMP		50-AMP	
474A	1059	474B	1059	474C	1059	474D	1059	474E	1059	474F	



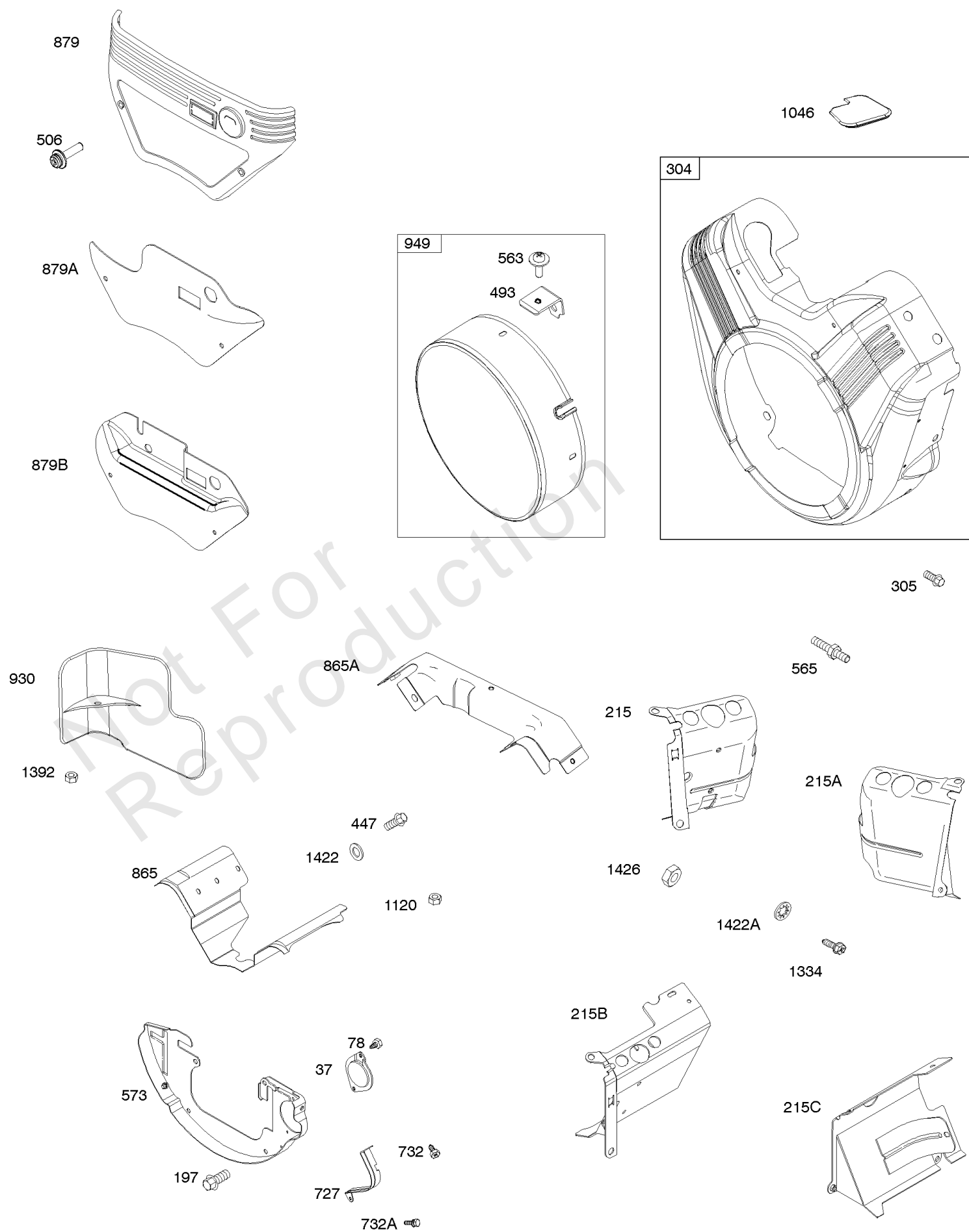
Alternators, Ignition, Wires, Regulators

REF NO	PART NO	QTY	DESCRIPTION
990	691959		SET, Key
990A	847146		SET, Key
1054	280275		TIE, Cable
1059	698516		KIT, Screw/Washer -(Alternator)
1119	691552		SCREW -(Alternator)
1378A	847144		SET, Washer/Nut
1403	692067		SCREW -(Wire Assembly)
1521	847150		CAP, Switch

Not For Reproduction

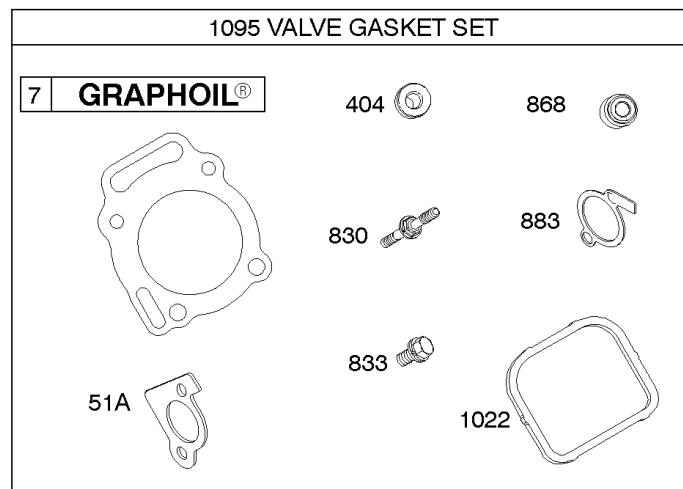
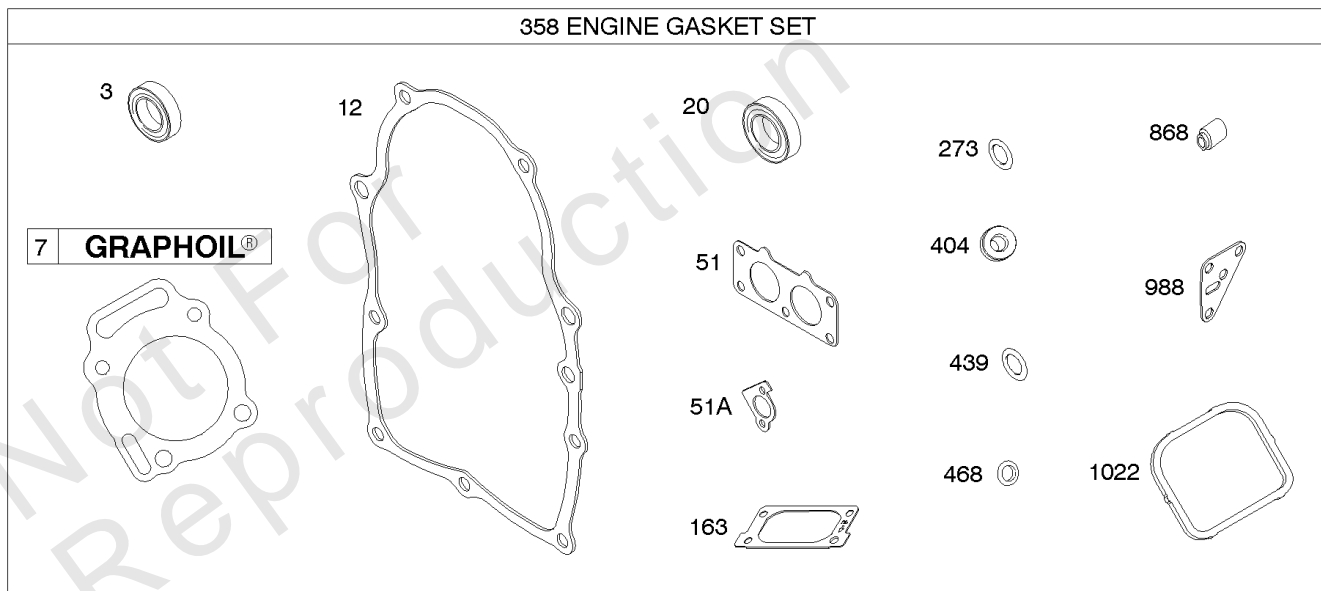
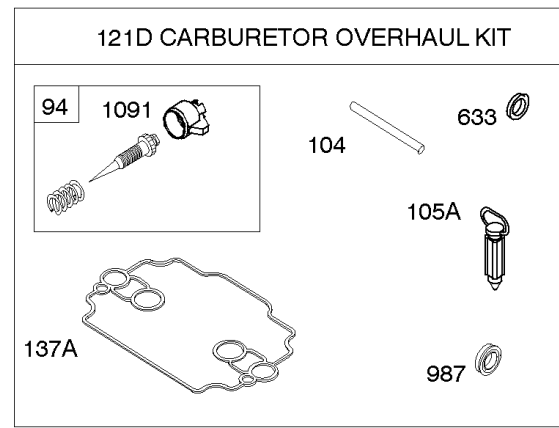
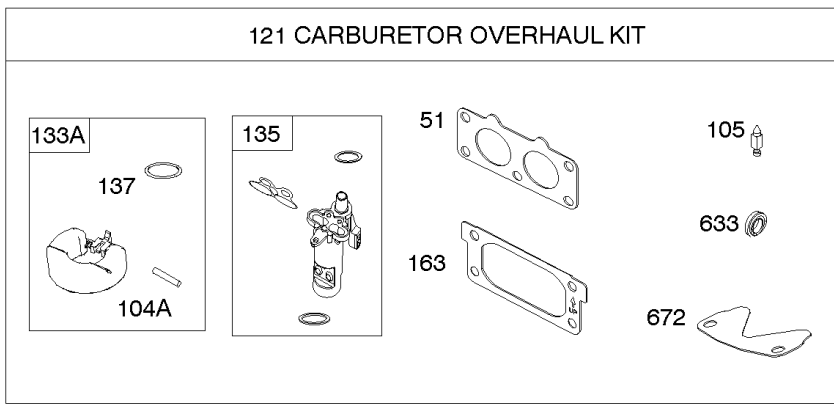
Blower Hsngs, Air Guides, Back Plate, Debris Screen

Mfg. No: 385447-3075-G1



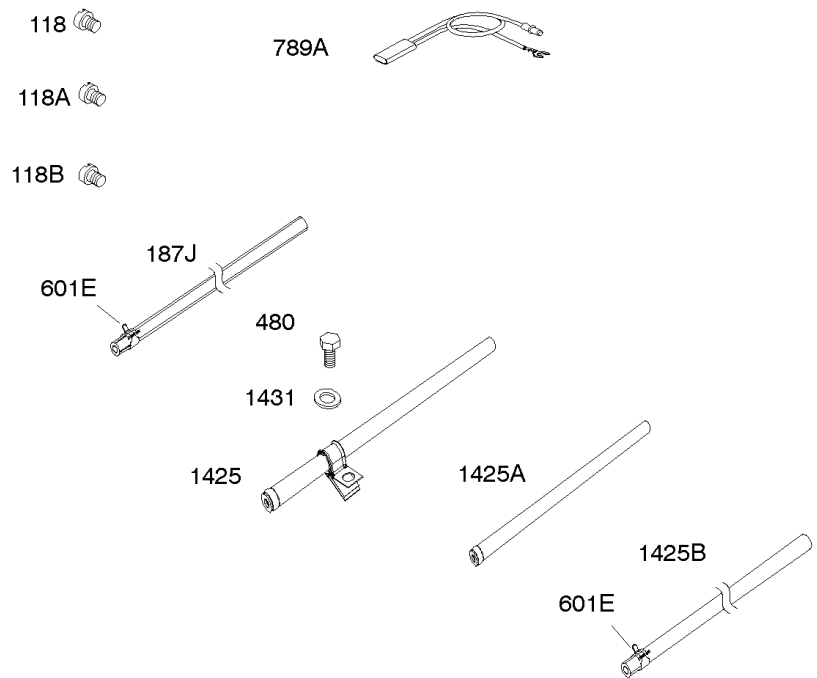
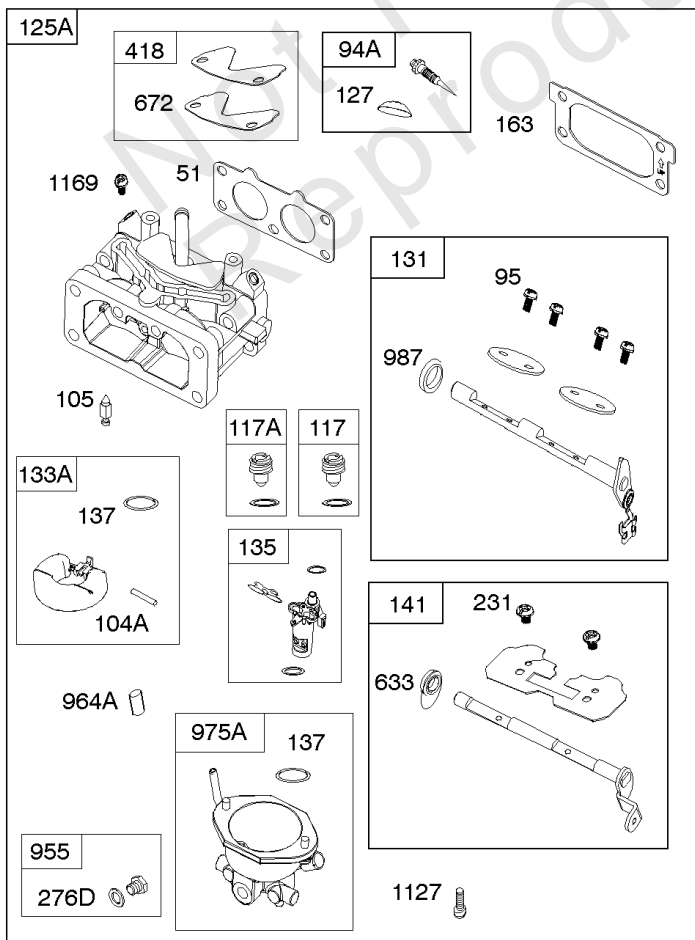
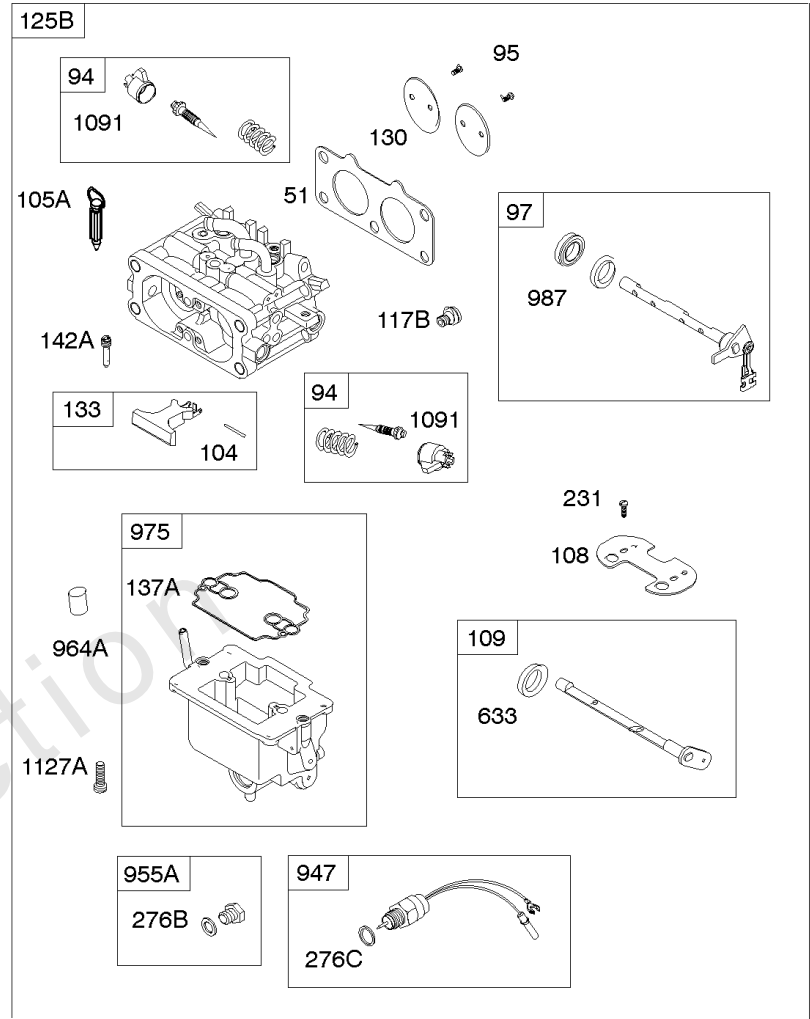
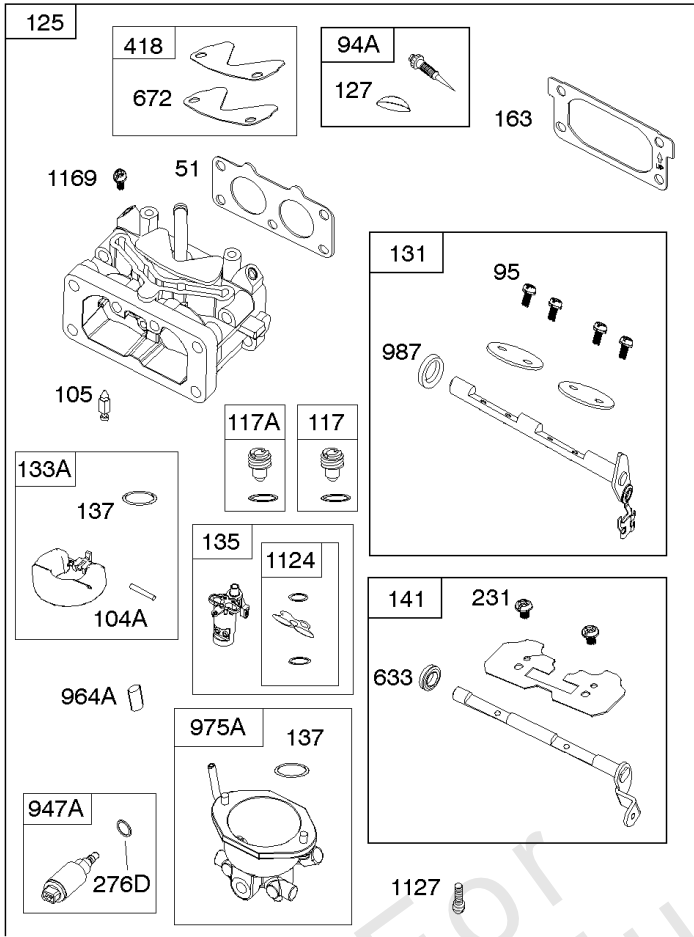
Blower Hsngs, Air Guides, Back Plate, Debris Screen

REF NO	PART NO	QTY	DESCRIPTION
37	841309		GUARD, Flywheel
78	690688		SCREW -(Flywheel Guard)
197	841233		SCREW -(Back Plate)
215	841183		GUIDE, Air -(Cylinder 1)
215A	841182		GUIDE, Air -(Cylinder 2)
304	841489		HOUSING, Blower
305	692056		SCREW -(Blower Housing)
493	845729		BRACKET, Mounting
506	807120		SCREW -(Carburetor/EFI Cover)
563	841735		SCREW -(Debris Screen Guard) (M6x14mm)
565	690682		STUD -(Oil Filter Adapter)
573	841310		PLATE, Back
727	841313		COVER, Starter Drive
732	690688		SCREW -(Starter Drive Cover) (8mm)
732A	841233		SCREW -(Starter Drive Cover) (M6x10mm)
865	843768		COVER, Air Guide
879	842128		COVER, Carburetor/EFI
949	845728		GUARD, Debris Screen
1046	841165		PLUG, Blower Housing
1120	690238		NUT -(Air Guide Cover)
1334	841233		SCREW -(Air Guide) (M6x10mm)
1392	690939		NUT -(Rewind Guard)
1422	691551		WASHER -(Air Guide)
1422A	690706		WASHER -(Air Guide)
1426	690238		NUT -(Air Guide)



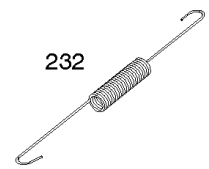
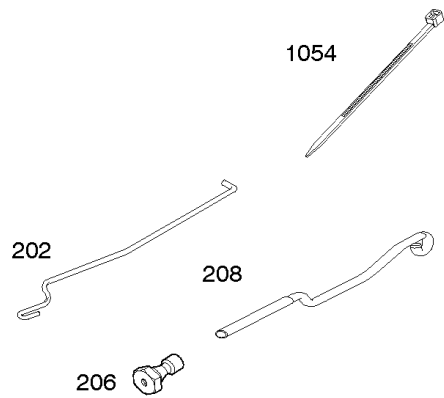
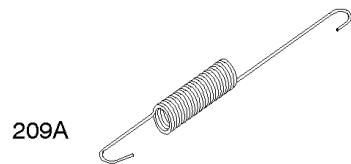
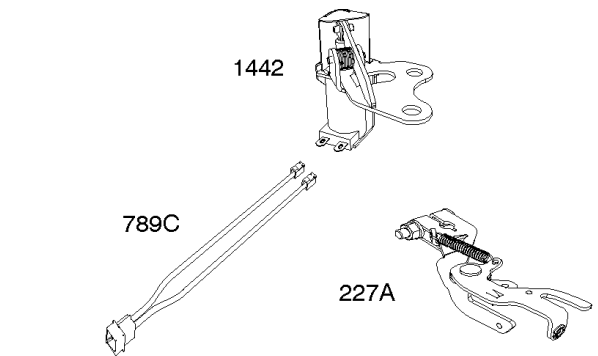
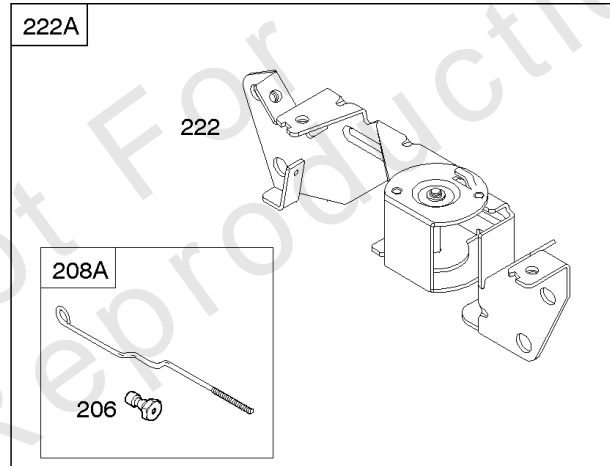
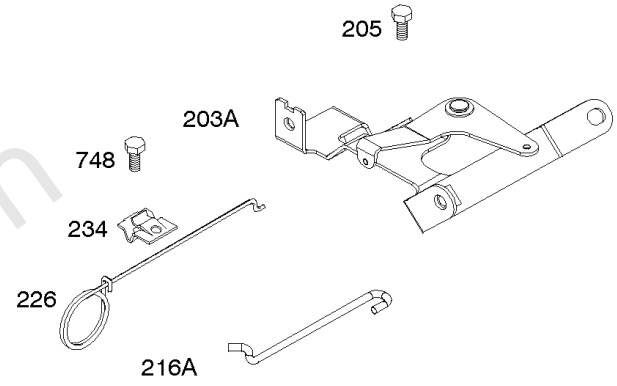
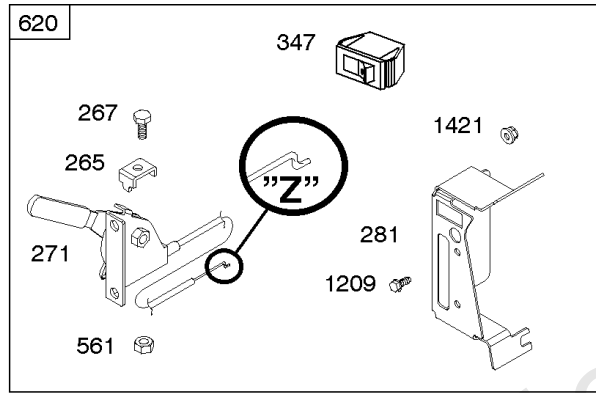
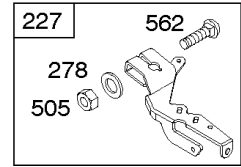
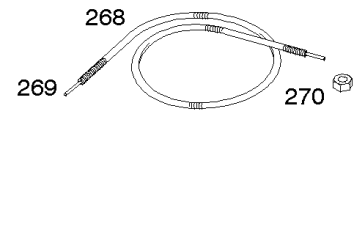
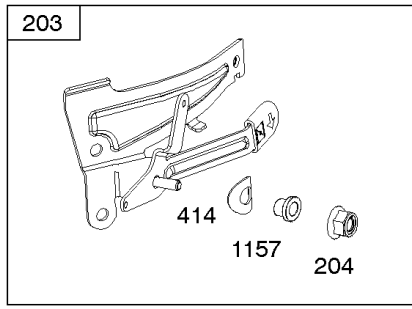
Carburetor Overhaul Kit, Engine/Valve Gasket Sets

REF NO	PART NO	QTY	DESCRIPTION
3	805101S		SEAL, Oil -(Magneto Side)
7	842622		GASKET, Cylinder Head
12	846487		GASKET, Crankcase
20	805049S		SEAL, Oil -(PTO Side)
51	690950		GASKET, Intake
51A	806418		GASKET, Intake
94	842870		KIT, Idle Mixture
104	690882		PIN, Float Hinge
105A	846635		VALVE, Float Needle
121	843103		KIT, Carburetor Overhaul
135	842677		TUBE, Fuel Transfer
137	841651		GASKET, Float Bowl
137A	693711		GASKET, Carburetor Body
163	692087		GASKET, Air Cleaner -(Air Cleaner)
273	690681		SEAL, O-Ring -(Oil Pump)
358	842658		GASKET SET, Engine
404	690704		WASHER -(Governor Crank) (Governor Crank)
439	692154		O-RING, Oil Gallery -(Crankcase Cover/Sump or Cylinder Assembly)
468	690690		SEAL, O-Ring -(Oil Pump Screen)
633	690722		SEAL, Choke/Throttle Shaft
830	809157		STUD, Rocker Arm -(Rocker Arm)
833	807084		SCREW -(Air Cleaner Mounting Strap/Stud) (M6x14mm)
833	807163		SCREW -(Air Cleaner Mounting Strap/Stud) (M6x10mm)
833	691593		SCREW -(Air Cleaner Mounting Strap/Stud) (M6x12mm)
868	691963		SEAL, Valve
883	806425		GASKET, Exhaust
987	808183		SEAL, Choke/Throttle Shaft
988	692063		GASKET, Oil Adapter
1022	806039S		GASKET, Rocker Cover
1091	691516		CAP, Limiter
1095	842662		GASKET SET, Valve



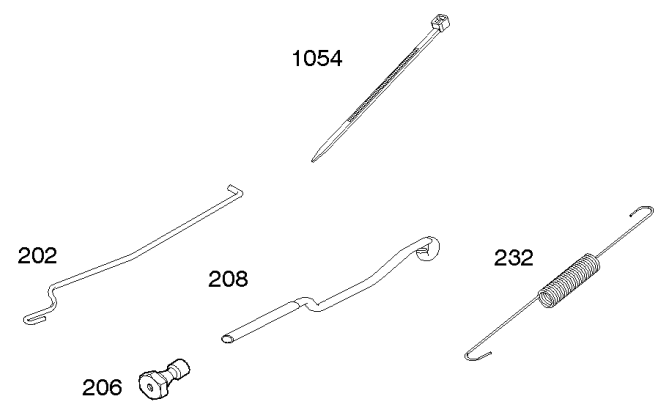
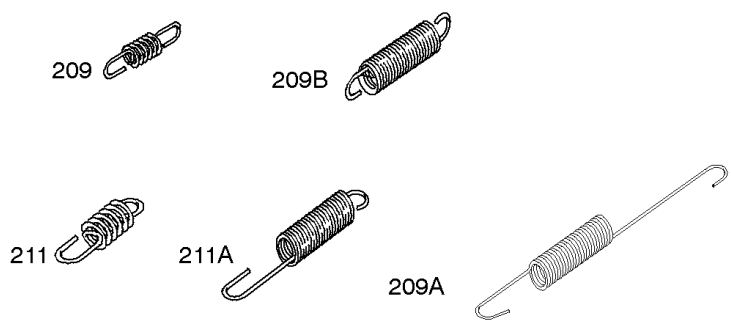
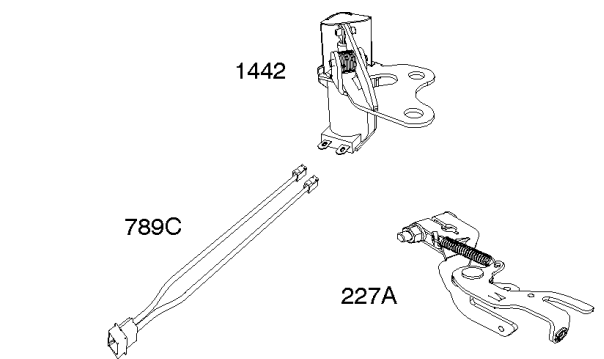
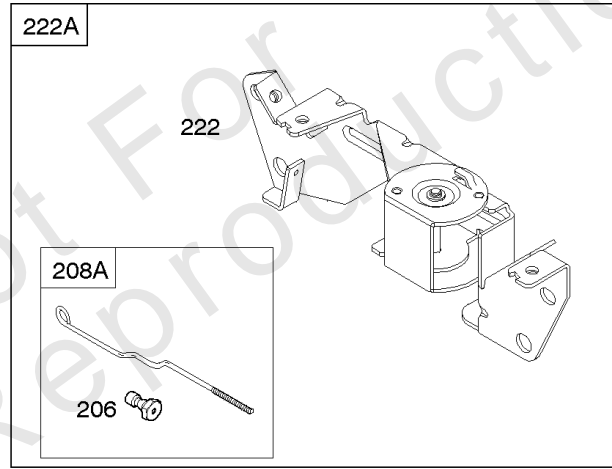
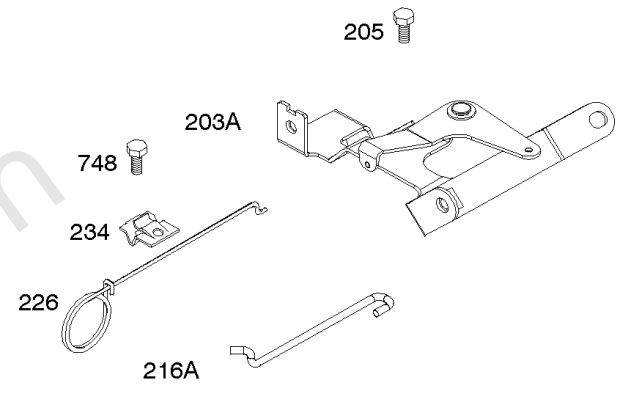
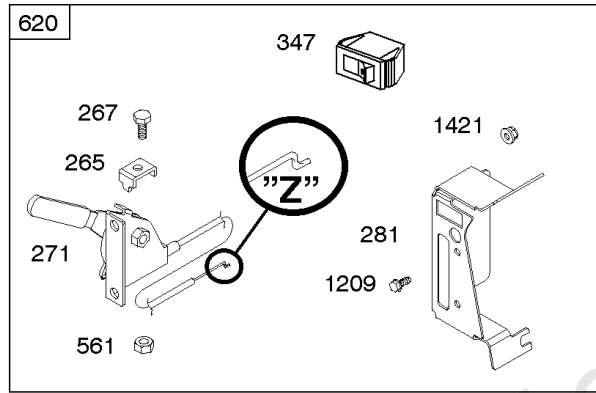
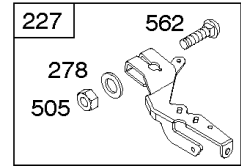
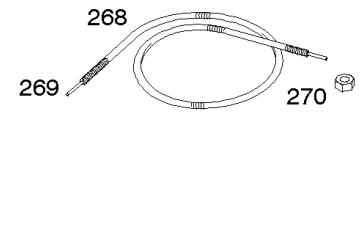
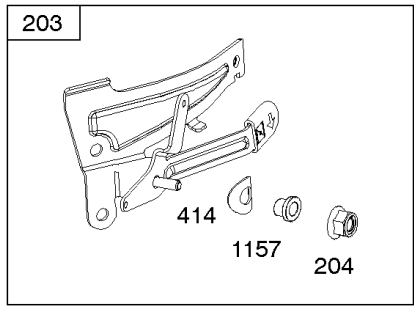
Carburetors

REF NO	PART NO	QTY	DESCRIPTION
51	690950		GASKET, Intake
94	842870		KIT, Idle Mixture
94A	844593		KIT, Idle Mixture
95	690718		SCREW -(Throttle Valve)
97	808713		SHAFT, Throttle
104	690882		PIN, Float Hinge
105A	846635		VALVE, Float Needle
108	690883		VALVE, Choke
109	808277		SHAFT, Choke
117	699457		JET, Main -(Standard) (Left Jet)
117A	699458		JET, Main -(Standard) (Right Jet)
118	843099		JET, Main -(High Altitude) (Right Jet) (5000 Feet)
118A	699820		JET, Main -(High Altitude) (Left Jet) (5000 Feet)
125	845281		CARBURETOR
130	690884		VALVE, Throttle
133	808180		FLOAT, Carburetor
135	842677		TUBE, Fuel Transfer
137	841651		GASKET, Float Bowl
137A	693711		GASKET, Carburetor Body
163	692087		GASKET, Air Cleaner -(Air Cleaner)
231	690718		SCREW -(Choke Valve)
276B	690724		WASHER, Sealing
276C	693497		WASHER, Sealing -(Solenoid)
276D	695410		WASHER, Sealing -(Solenoid)
633	690722		SEAL, Choke/Throttle Shaft
789A	844914		HARNESS, Wiring -(Solenoid)
947	808624		SOLENOID, Fuel
955	808176		PLUG, Carburetor
955A	807723		PLUG, Carburetor
964A	807468		CAP, Carburetor
975A	844591		BOWL, Float
987	808183		SEAL, Choke/Throttle Shaft
1091	691516		CAP, Limiter
1124	842678		SEAL, O-Ring -(Fuel Transfer Tube)
1127	841621		SCREW -(Float Bowl to Carburetor Body)
1127A	690885		SCREW -(Float Bowl to Carburetor Body)
1425	844712		HOSE, Purge Line -(Cut To Required Length)



Controls, Springs, Links, Choke Levers

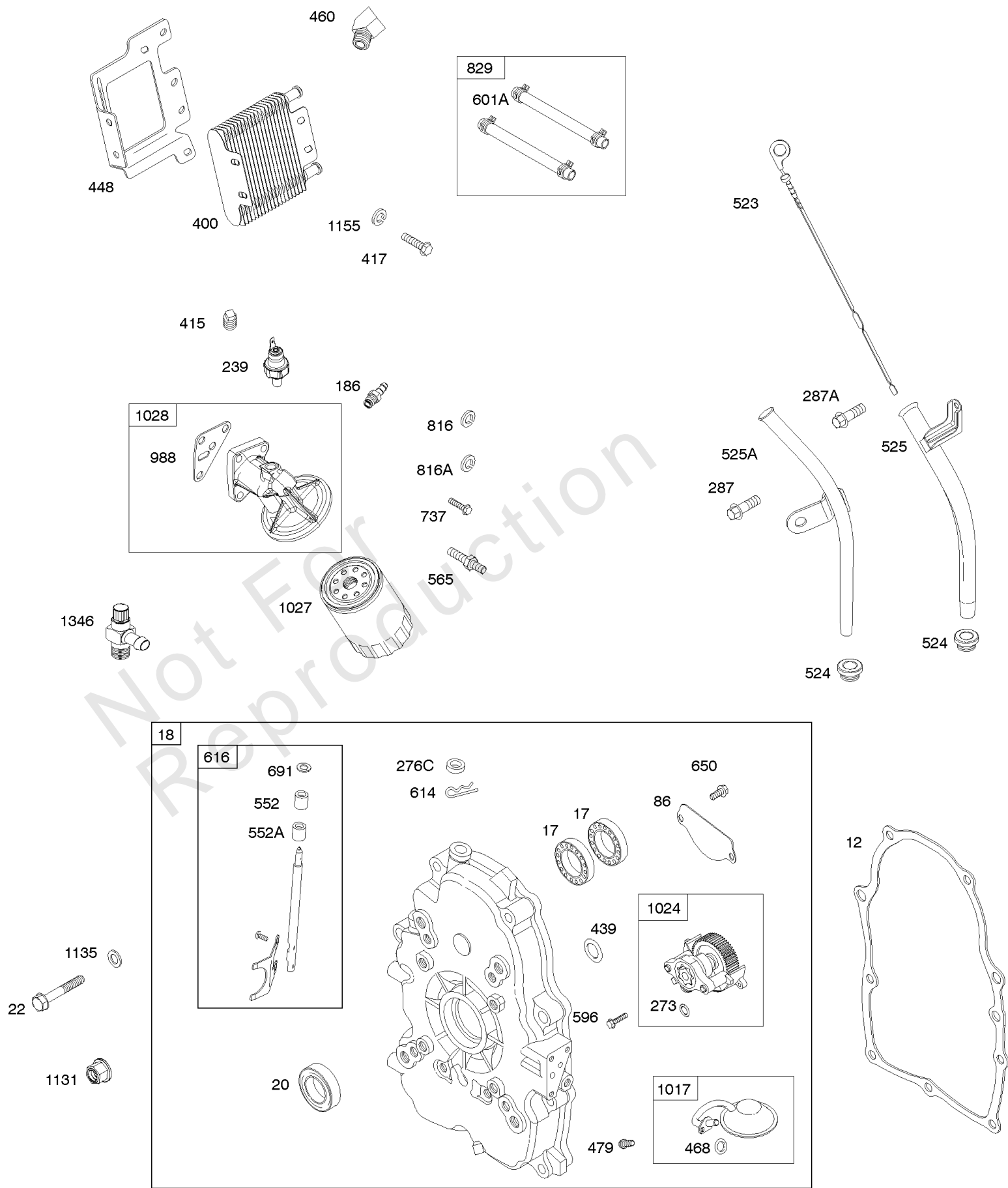
REF NO	PART NO	QTY	DESCRIPTION
188	692056		SCREW -(Control Bracket)
188	845964		SCREW -(Control Bracket) (M8x10mm)
202	691536		LINK, Mechanical Governor
203	808753		CRANK, Bell
204	692884		BUSHING, Lever
205	841233		SCREW -(Bell Crank)
206	691244		NUT, Governor Adjusting
208	844796		ROD, Governor Control
208A	808453		ROD, Governor Control
209	692070		SPRING, Governor -(Red)
211	692069		SPRING, Governed Idle
216	691542		LINK, Choke
222	845305		BRACKET, Control
222A	808454		BRACKET, Control
227A	844799		LEVER, Governor Control
232	691538		SPRING/LINK, Governor
262	841552		SCREW -(Rod Bracket) (M5x20mm)
265	691024		CLAMP, Casing
267	841552		SCREW -(Casing Clamp) (M5x20mm)
268	691025		CASING, Control Wire
269	691026		WIRE, Control
270	691027		NUT -(Control Wire Casing)
271	692541		LEVER, Control
278	842122		WASHER -(Governor Control Lever)
280	691526		BRACKET, Fixed Speed
281	690742		PANEL, Control
282	692083		SCREW -(Control Lever)
347	691995		SWITCH, Rocker
414	690344		WASHER -(Bell Crank)
432	691509		CAP, Spring
505	690238		NUT -(Governor Lever)
561	690713		NUT -(Control Lever)
562	690239		BOLT -(Governor Control Lever)
620	494052		BRACKET, Control -(Ignition Coil)
689	691272		SPRING, Friction
748	692083		SCREW -(Control Rod Clip)
1054	280275		TIE, Cable
1157	690713		NUT -(Bell Crank)
1209	841552		SCREW -(Speed Control Panel) (M5x20mm)



Controls, Springs, Links, Choke Levers

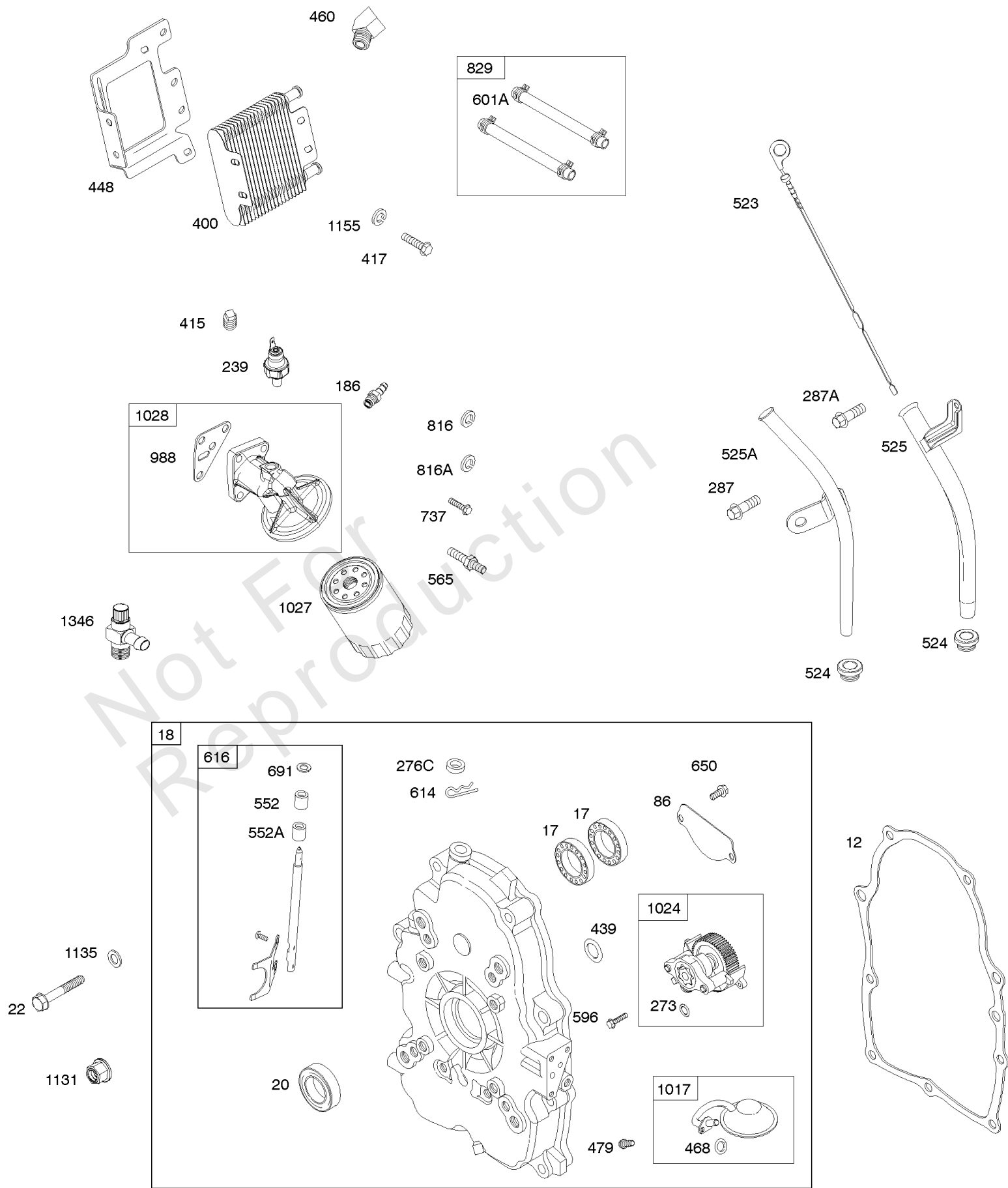
REF NO	PART NO	QTY	DESCRIPTION
1421	690713		NUT -(Speed Control Panel)

Not For Reproduction



Crankcase Cover, Oil Cooler, Lubrication, Dipstick

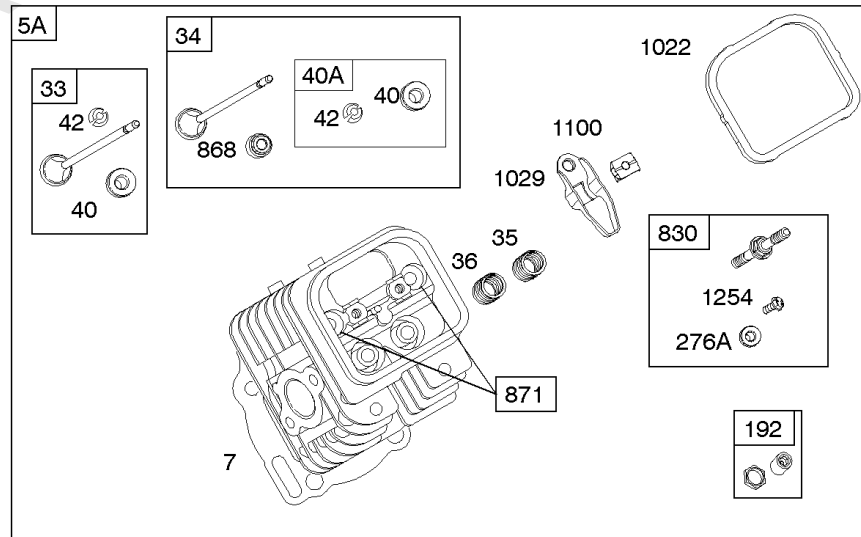
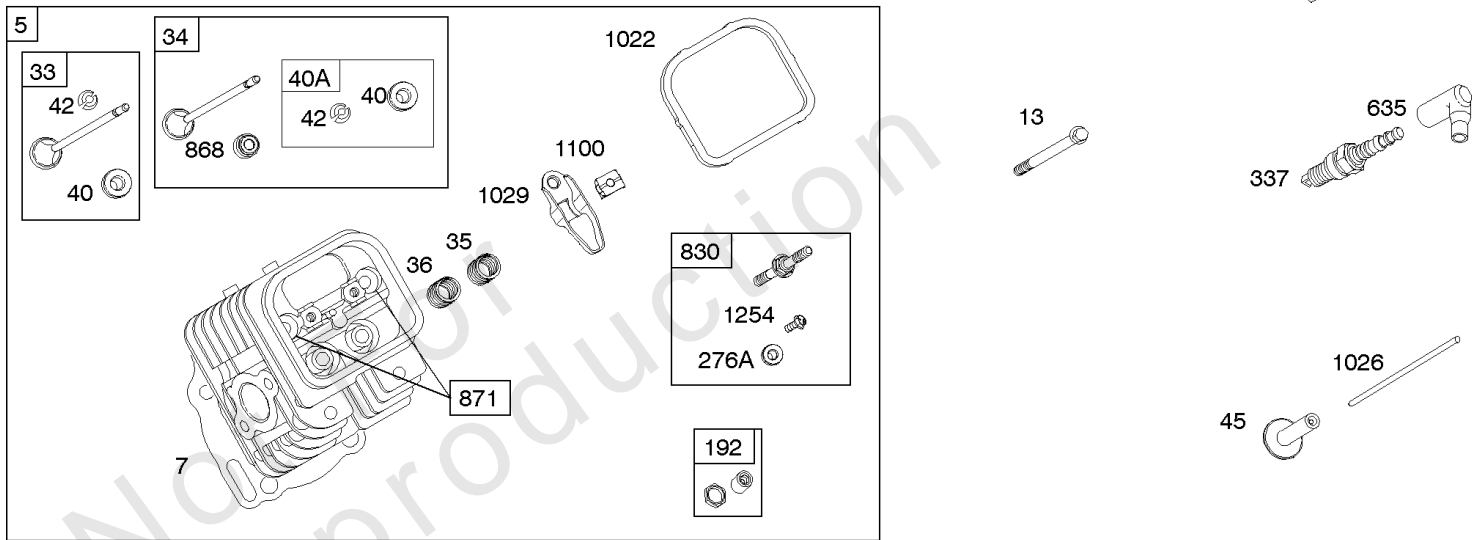
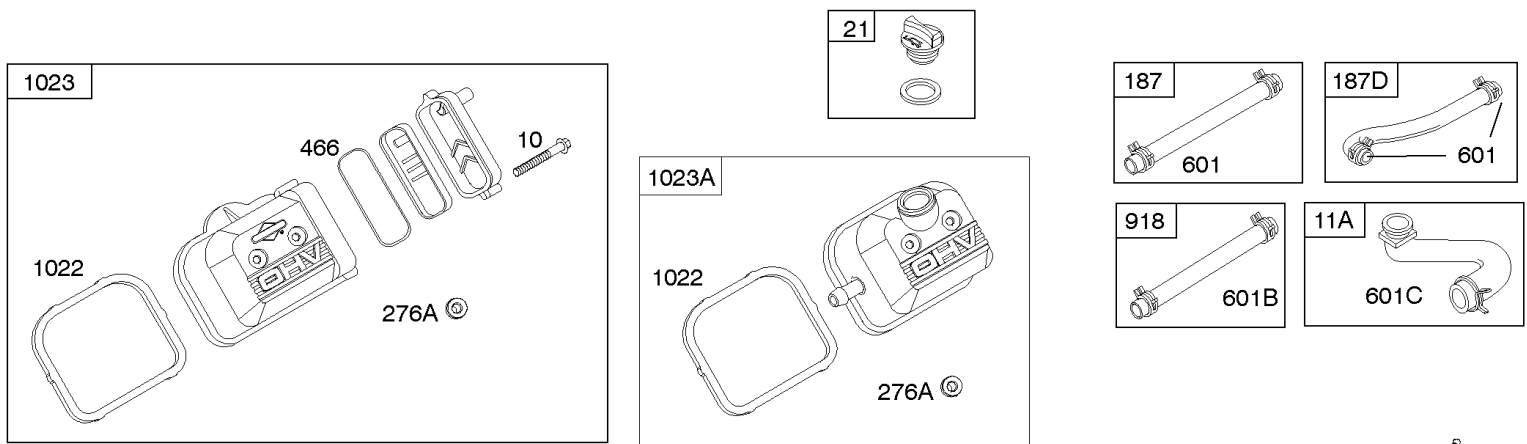
REF NO	PART NO	QTY	DESCRIPTION
12	846487		GASKET, Crankcase
17	843827		BEARING, Ball
18	844588		COVER, Crankcase
20	805049S		SEAL, Oil -(PTO Side)
22	807362		SCREW -(Crankcase Cover/Sump)
86	690745		COVER, Gear
186	693184		CONNECTOR, Hose
239	690233		SWITCH, Oil Pressure
273	690681		SEAL, O-Ring -(Oil Pump)
276C	693497		WASHER, Sealing -(Solenoid)
287	692062		SCREW -(Dipstick Tube)
287A	806660		SCREW -(Dipstick Tube)
400	846489		COOLER, Oil
415	794903		PLUG -(Oil Filter Adapter)
417	843345		SCREW -(Oil Cooler) (M6x8mm)
417	841233		SCREW -(Oil Cooler) (M6x10mm)
439	692154		O-RING, Oil Gallery -(Crankcase Cover/Sump or Cylinder Assembly)
448	841488		BRACKET, Oil Cooler
460	806667		CONNECTOR, Filter Adapter
468	690690		SEAL, O-Ring -(Oil Pump Screen)
479	807084		SCREW -(Oil Pump Screen) (Oil Pump Screen)
523	693175		DIPSTICK
524	693172		SEAL, O-Ring -(Dipstick Tube)
525	693174		TUBE, Dipstick
525A	693173		TUBE, Dipstick
552	690701		BUSHING, Governor Crank
552A	806686		BUSHING, Governor Crank
565	690682		STUD -(Oil Filter Adapter)
596	691492		SCREW -(Oil Pump)
601A	841597		CLAMP, Hose -(Oil Cooler Hose)
614	691550		PIN, Cotter
616	806685		CRANK, Governor
650	841233		SCREW -(Oil Deflector)
691	842826		SEAL, Governor Shaft
737	690679		SCREW -(Oil Filter Adapter) (M6x21mm)
816	690706		WASHER -(Oil Filter Adapter) (Lockwasher)
816A	806647		WASHER -(Oil Filter Adapter) (Flat Washer)



Crankcase Cover, Oil Cooler, Lubrication, Dipstick

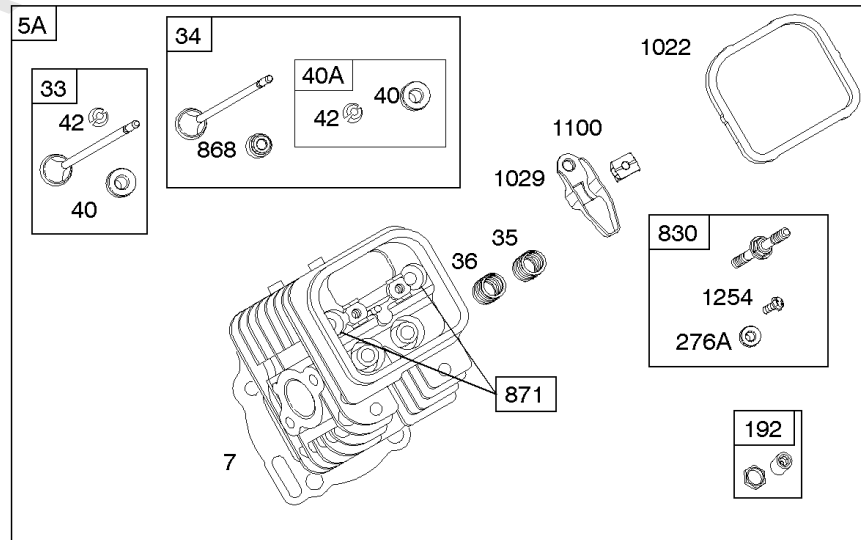
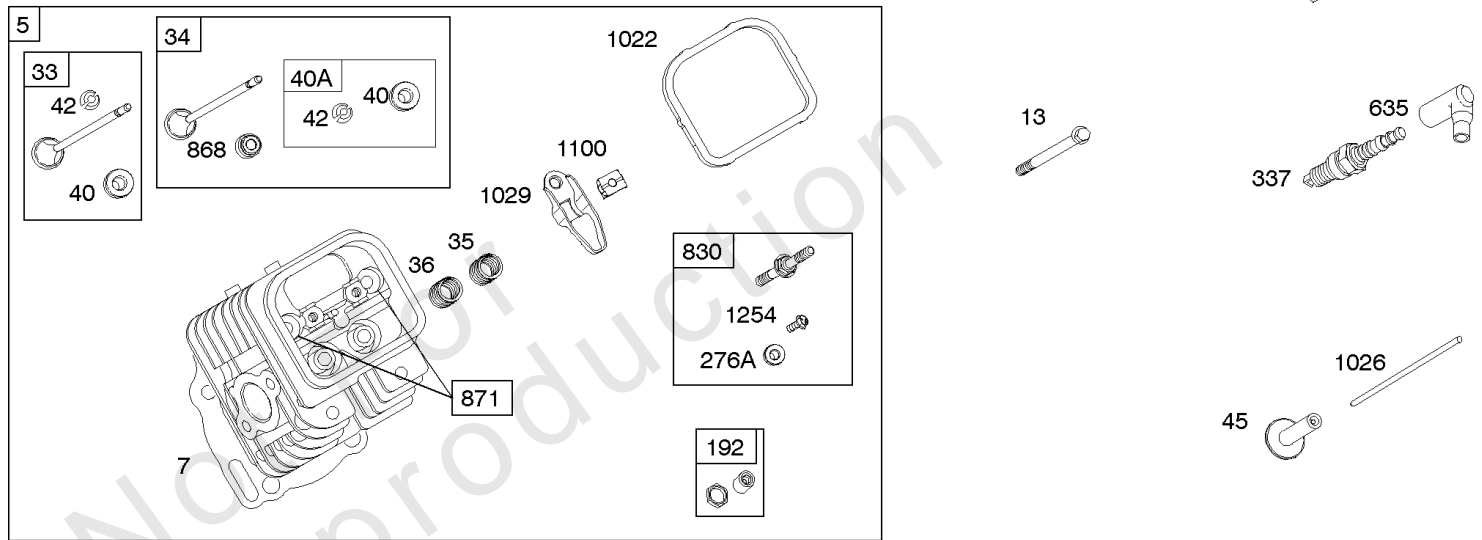
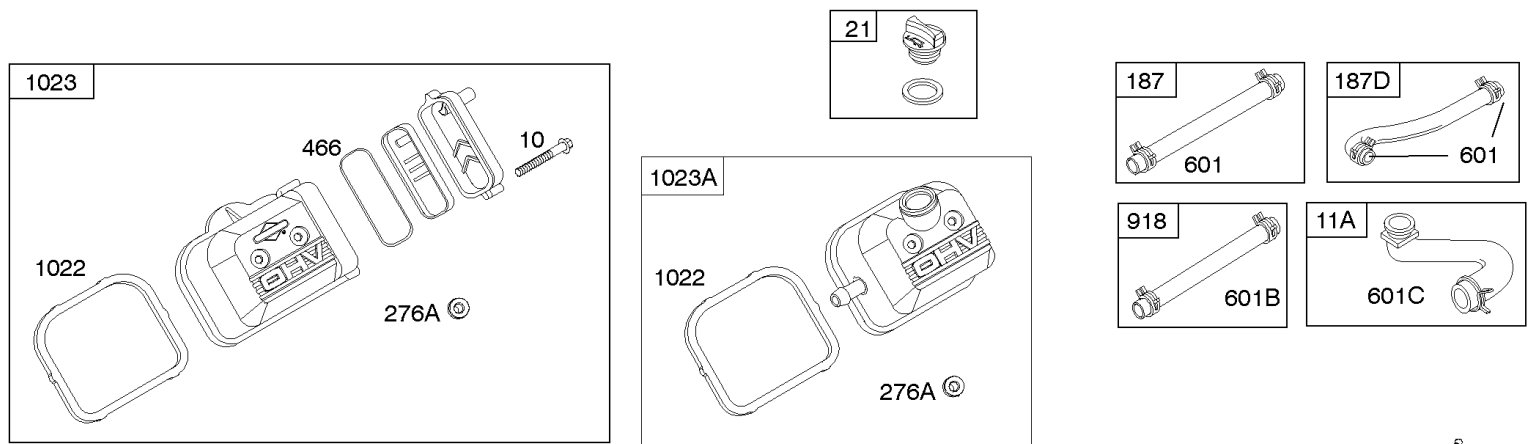
REF NO	PART NO	QTY	DESCRIPTION
829	841999		HOSE/CLAMP ASSEMBLY
988	692063		GASKET, Oil Adapter
1017	690900		SCREEN, Oil Pump
1024	-----		Pump-Oil -(Oil Pump is No Longer Available) (See Reference 18 for correct replacement Crankcase Cover) -Used Before Code Date 07101500
1024	843825		PUMP, Oil -Used After Code Date 07101400
1027	842921		FILTER, Oil
1028	843898		ADAPTER, Oil Filter
1131	842067		NUT -(Crankcase Cover/Sump)
1135	806497		WASHER -(Crankcase Cover/Sump)
1155	806647		WASHER -(Oil Cooler)

Not For Reproduction



Cylinder Heads, Valve Covers

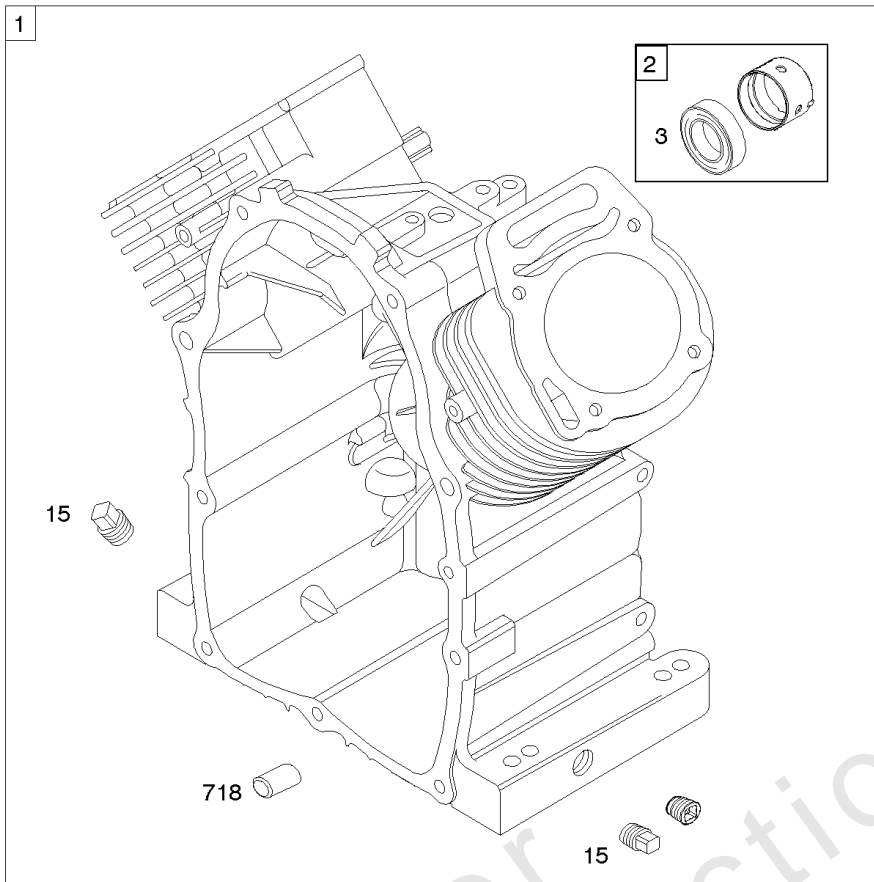
REF NO	PART NO	QTY	DESCRIPTION
5	845713		HEAD, Cylinder -(Cylinder 1)
5A	845714		HEAD, Cylinder -(Cylinder 2)
7	842622		GASKET, Cylinder Head
10	806421		SCREW -(Breather Assembly)
11A	806379		TUBE, Breather
13	842618		SCREW -(Cylinder Head) (M8x106mm)
21	809500		CAP, Oil Fill
33	806419		VALVE, Exhaust
34	843751		VALVE, Intake -Used Before Code Date 12020100
34	845712		VALVE, Intake -Used After Code Date 12013100
35	692084		SPRING, Valve -(Intake)
36	692084		SPRING, Valve -(Exhaust)
40	692058		RETAINER, Valve
40A	844895		RETAINER, Valve
42	807683		KEEPER, Valve
45	843379		TAPPET, Valve
187	791766		LINE, Fuel -(Cut To Required Length)
187D	791801		HOSE, Vacuum -(Formed)(7.34 Cut To Required Length)
187D	791744		LINE, Fuel -(Formed)(14 Inches Long)(Cut To Required Length)
187D	846584		LINE, Fuel -(Formed)(6.88 Lg)(Cut To Required Length)
192	807623		ADJUSTER, Rocker Arm
276A	807085		WASHER, Sealing -(Rocker Cover)
337	792015		PLUG, Spark
383	19576S		WRENCH, Spark Plug
466	806466		SEAL, O-Ring -(Breather Assembly)
601	691038		CLAMP, Hose
601B	791850		CLAMP, Hose
601C	691145		CLAMP, Hose -(Breather Tube)
635	692076		BOOT, Spark Plug
830	809157		STUD, Rocker Arm -(Rocker Arm)
868	691963		SEAL, Valve
871	692057		BUSHING, Valve Guide
918	791880		LINE, Fuel
1022	806039S		GASKET, Rocker Cover
1023	843750		COVER, Rocker
1023A	690910		COVER, Rocker
1026	691758		ROD, Push -(Exhaust)(Aluminum)
1026	691836		ROD, Push -(Intake)(Steel)



Cylinder Heads, Valve Covers

REF NO	PART NO	QTY	DESCRIPTION
1029	807323		ARM, Rocker
1100	791959		PIVOT, Rocker Arm
1254	807084		SCREW -(Rocker Arm Stud)

Not For Reproduction



1036 EMISSIONS LABEL

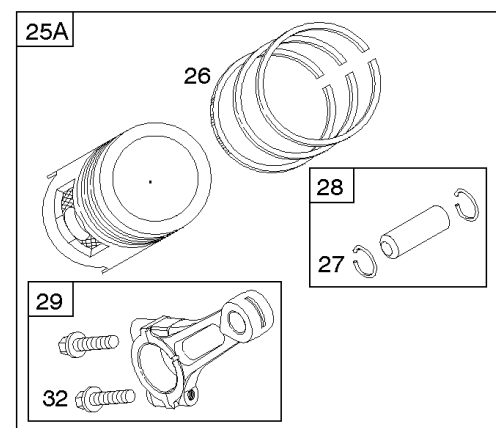
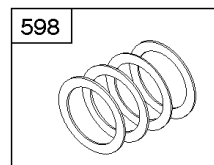
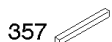
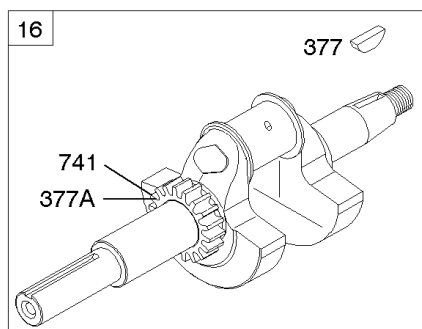
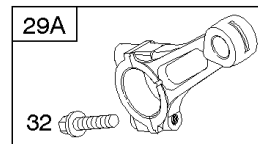
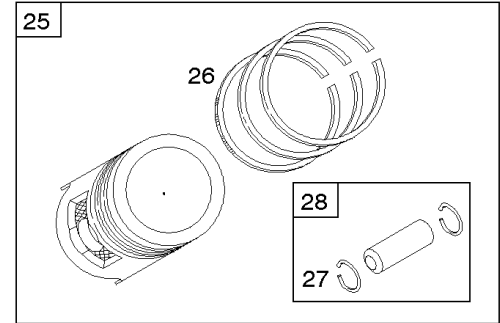
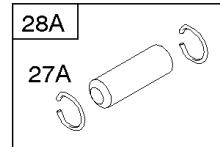
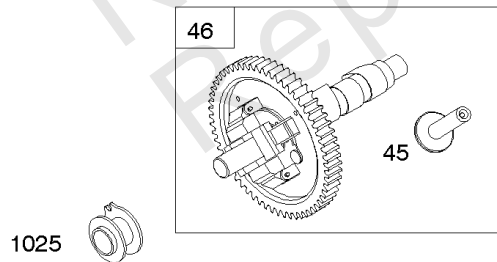
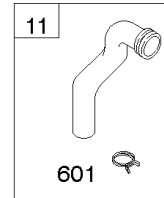
1058 OPERATOR'S MANUAL

1330 REPAIR MANUAL

1319 WARNING LABEL

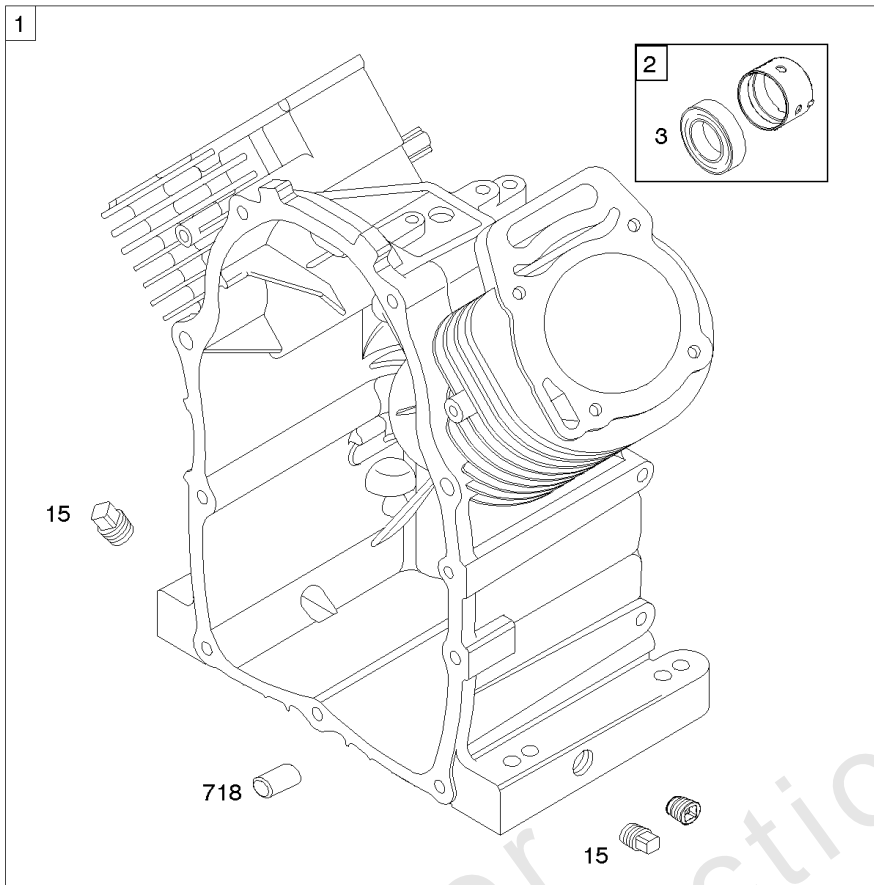
WARNING	
	Read and follow Operating Instructions before running engine.
	Gasoline is flammable. Allow engine to cool at least 2 minutes before refueling.
	Engines emit carbon monoxide, DO NOT run in enclosed area.
	Muffler area temperature may exceed 150°F. Do not touch hot parts.

REQUIRED when replacing parts with warning labels affixed.



Cylinder, Piston/Rings/Connecting Rod, Camshaft

REF NO	PART NO	QTY	DESCRIPTION
1	842619		CYLINDER ASSEMBLY
1	842684		CYLINDER ASSEMBLY
2	808534		KIT, Bushing/Seal -(Magneto Side)
3	805101S		SEAL, Oil -(Magneto Side)
11	841159		TUBE, Breather
15	691680		PLUG, Oil Drain -(3/8"-18 NPTF - Internal 3/8" Sq)
15	690946		PLUG, Oil Drain -(3/8"-18 NPTF-External 7/16" Sq)
16	809844		CRANKSHAFT -Used Before Code Date 07063000
16	843807		CRANKSHAFT -Used After Code Date 07062900
17	843827		BEARING, Ball
25	844877		PISTON ASSEMBLY -(.020 Oversize) -Used After Code Date 07062900
25	843805		PISTON ASSEMBLY -(Standard) -Used After Code Date 07062900
25A	844009		PISTON ASSEMBLY -(Standard) (Includes Connecting Rod, Piston, Rings, Piston Pin andPiston Pin Locks) -Used Before Code Date 07063000
25A	843823		PISTON ASSEMBLY -(.020 Oversize) (Includes Connecting Rod, Piston, Rings, Piston Pin andPiston Pin Locks) -Used Before Code Date 07062900
26	843824		SET, Ring -(.020 Oversize)
26	843806		SET, Ring
27	690683		LOCK, Piston Pin -Used After Code Date 07062900
27A	806378		LOCK, Piston Pin -Used Before Code Date 07063000
28	844023		PIN, Piston -Used After Code Date 07062900
28A	808526		PIN, Piston -Used Before Code Date 07063000
29	807900S		ROD, Connecting -(Standard) -Used After Code Date 07062900
29A	-----		Rod-Connecting -Used Before Code Date 07063000
32	690698		SCREW -(Connecting Rod)
45	843379		TAPPET, Valve
46	690927		CAMSHAFT
377	808095		KEY, Flywheel
377A	691639		KEY, Timing
598	807625		SHIM, End Play -(Crankshaft or Camshaft Bearing)
601	691038		CLAMP, Hose
718	806469		PIN, Locating -(Cylinder)
741	846085		GEAR, Timing
1025	690689		SPOOL, Governor



1036 EMISSIONS LABEL

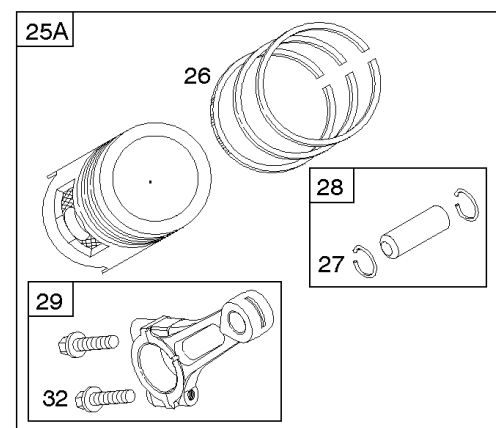
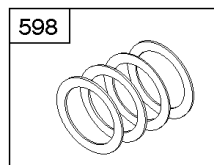
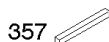
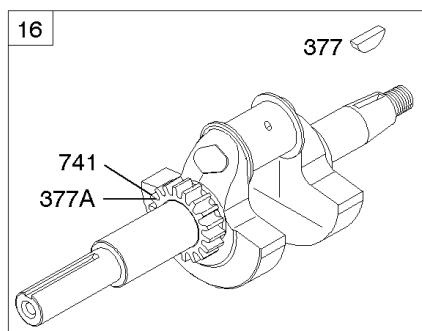
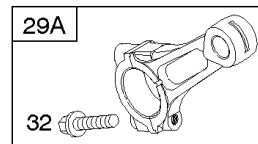
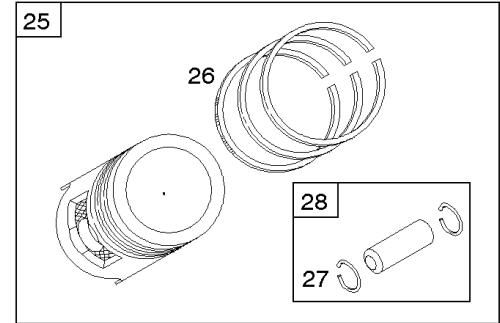
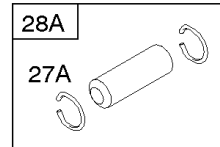
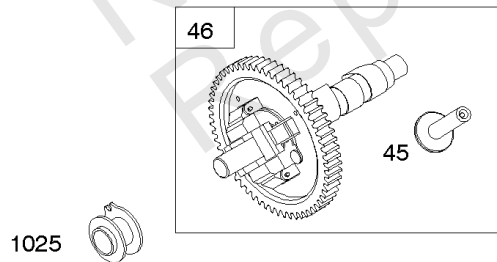
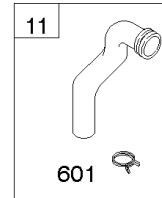
1058 OPERATOR'S MANUAL

1330 REPAIR MANUAL

1319 WARNING LABEL

WARNING	
	Read and follow Operating Instructions before running engine.
	Gasoline is flammable. Allow engine to cool at least 2 minutes before refueling.
	Engines emit carbon monoxide, DO NOT run in enclosed area.
	Muffler area temperature may exceed 150°F. Do not touch hot parts.

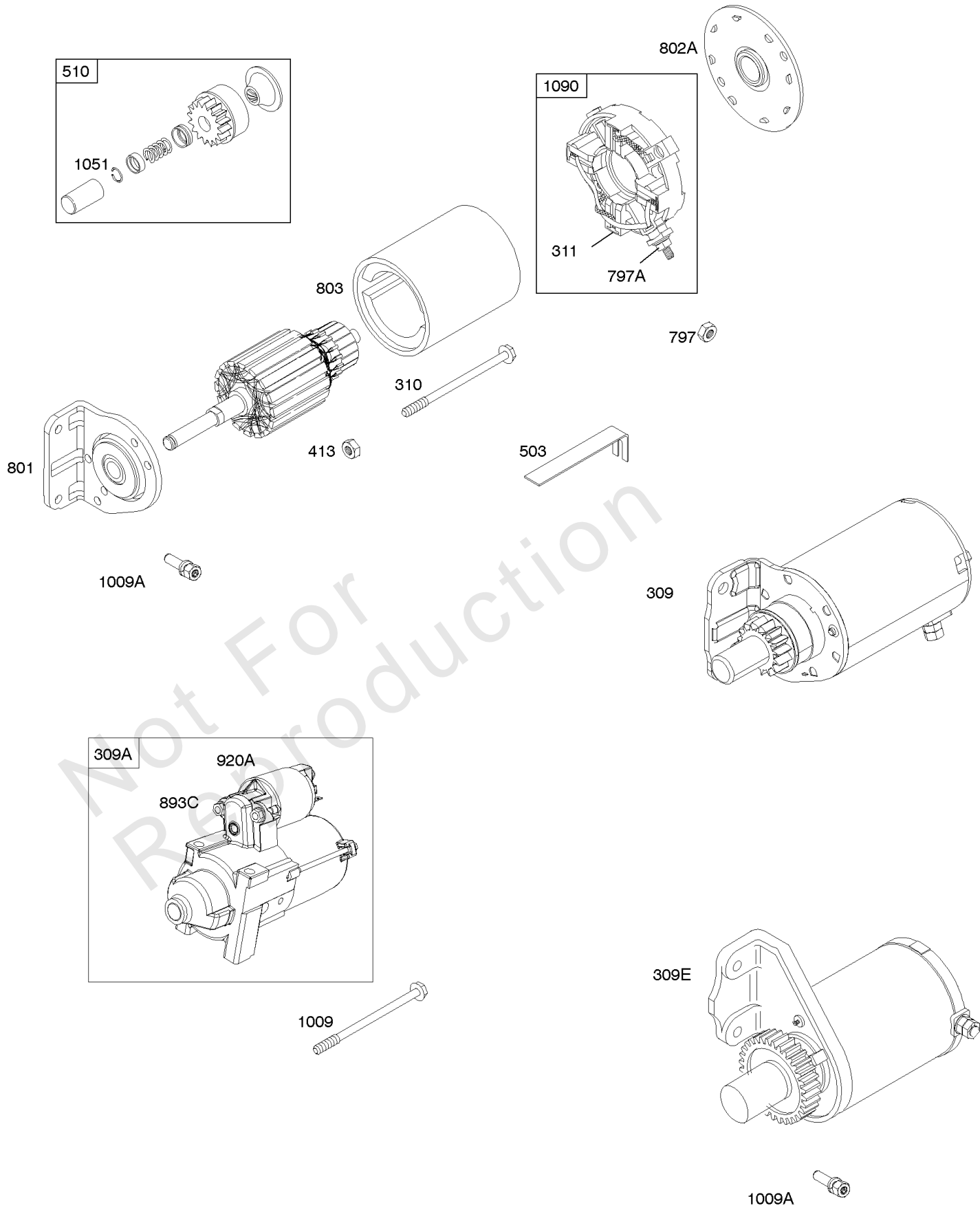
REQUIRED when replacing parts with warning labels affixed.



Cylinder, Piston/Rings/Connecting Rod, Camshaft

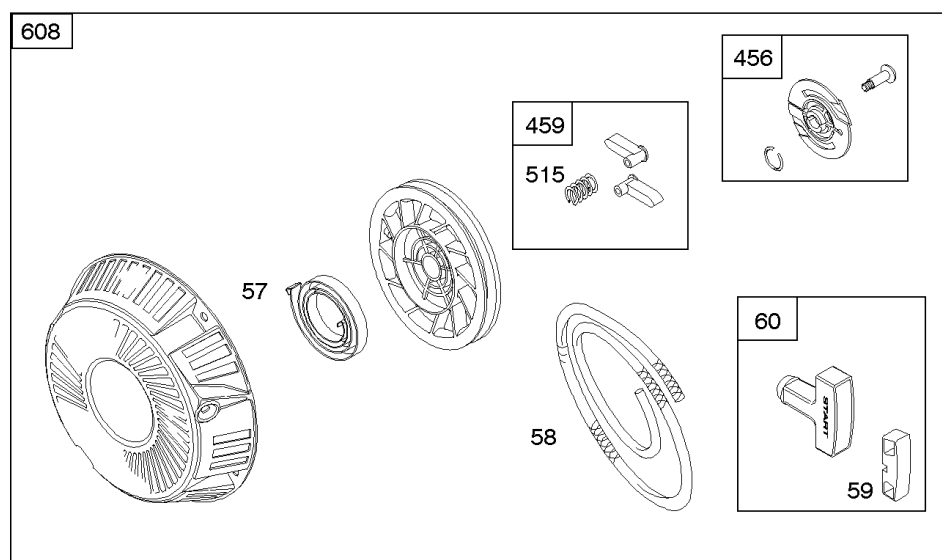
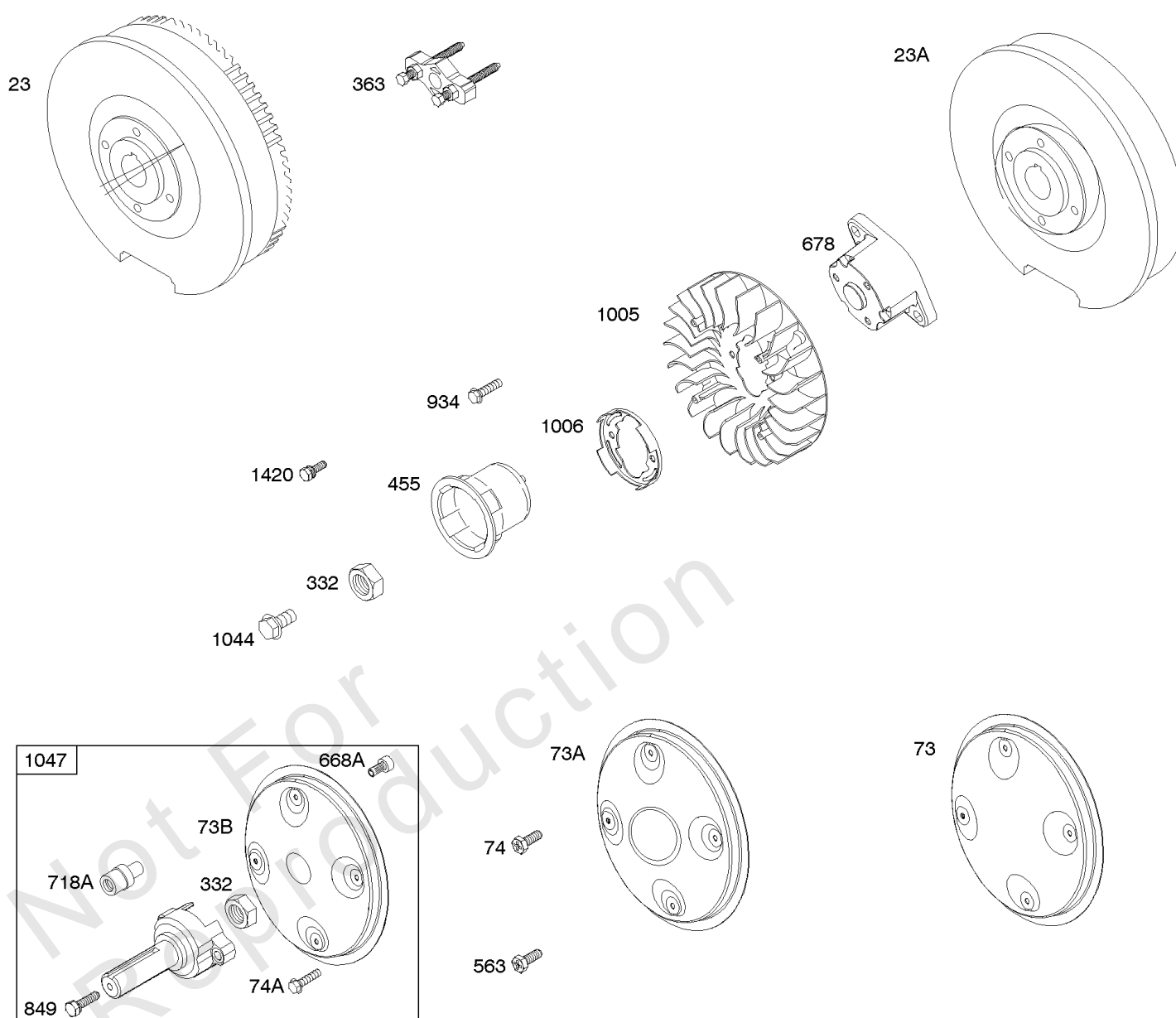
REF NO	PART NO	QTY	DESCRIPTION
1036	-----		LABEL, Emissions -(Available From A Briggs & Stratton Authorized Dealer)
1058	279771WST		MANUAL, Operator's
1133	690342		SCREW -(Crankshaft)
1319	794467		LABEL, Warning
1330	272144		MANUAL, Repair

Not For Reproduction



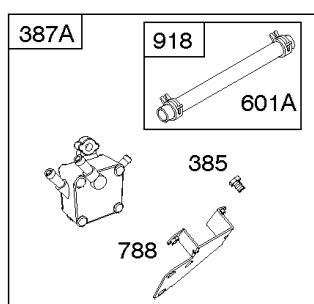
Electric Starters

REF NO	PART NO	QTY	DESCRIPTION
309E	844717		MOTOR, Starter -(0.8KW)
310	690323		BOLT -(Starter Motor) (#10-24x4.4" Long)
311	497608		SET, Brush
413	693587		NUT -(Starter Motor) -Used Before Code Date 05082600
503	845016		STRAP, Starter -(60mm)
503	691532		STRAP, Starter -(82mm Long)
510	496881		DRIVE, Starter -Used Before Code Date 14052800
797	691029		NUT -(Brush Retainer)
797A	693167		NUT -(Brush Retainer)
801	-----		Cap-Drive
802A	691286		CAP, End
803	-----		Housing-Starter -(No Longer Available) (See Reference 309 For Replacement)
893C	845758		NUT -(Starter Solenoid) (M6)
1009A	691902		SCREW -(USE REFERENCE 697 ONLY)
1051	691124		RING, Retaining -Used Before Code Date 14052800
1090	691293		RETAINER, Brush -Used Before Code Date 14052800

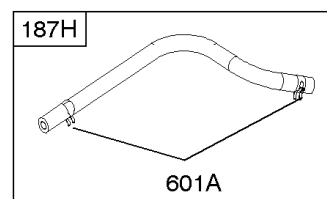
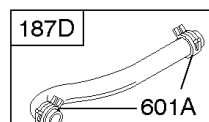
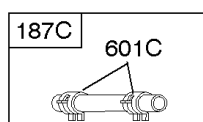
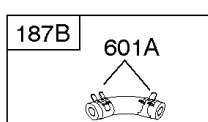
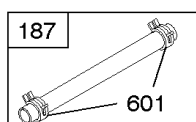
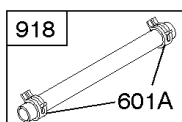
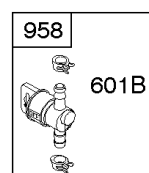
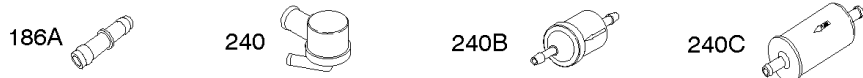
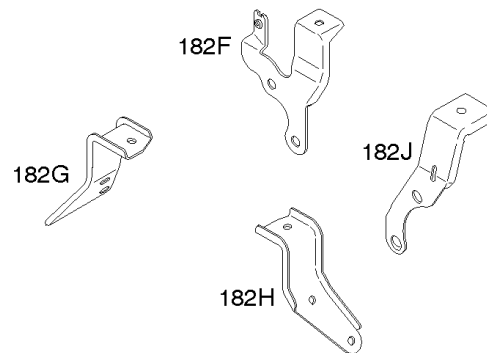
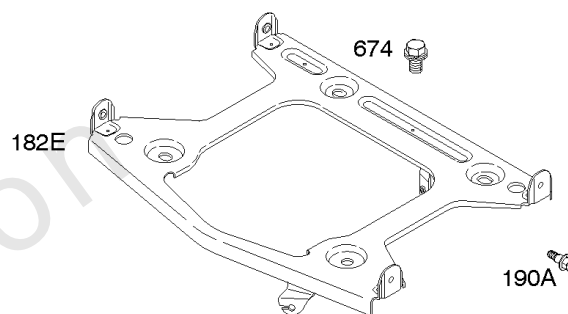
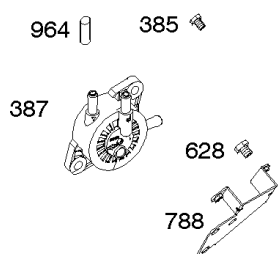
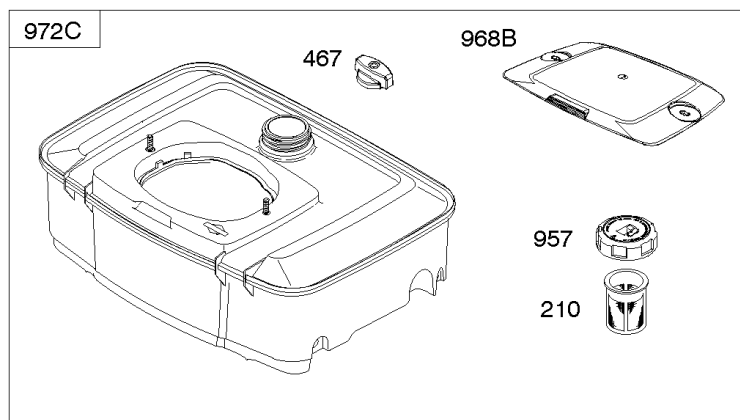


Flywheel, Rotating Screens, Rewind Starter

REF NO	PART NO	QTY	DESCRIPTION
23	809236		FLYWHEEL
57	692086		SPRING, Rewind Starter
58	66574		ROPE, Starter -(Cut To Required Length)
59	805957		INSERT, Grip
60	808167		GRIP, Starter Rope
65	690341		SCREW -(Rewind Starter) (Rewind Starter)
65A	841233		SCREW -(Rewind Starter) (M6x10mm)
73	841440		SCREEN, Rotating
73A	841662		SCREEN, Rotating
74	841441		SCREW -(Rotating Screen) (M5x14mm)
74A	691647		SCREW -(Rotating Screen) (M5x30mm)
332	690887		NUT -(Flywheel)
363	19203		PULLER, Flywheel
455	841794		CUP, Flywheel
456	845219		PLATE, Pawl Friction
459	845218		PAWL, Ratchet
515	691528		SPRING, Pawl
563	841735		SCREW -(Debris Screen Guard) (M6x14mm)
592	690939		NUT -(Rewind Starter) (M6)
608	841729		STARTER, Rewind
668A	691500		SPACER -(Rotating Screen)
678	841730		SPACER -(Rewind)
718A	841581		PIN, Locating
849	691088		SCREW -(Stub Shaft)
934	690341		SCREW -(Fan Retainer)
1005	841439		FAN, Flywheel
1006	690452		RETAINER, Fan
1044	692056		SCREW -(Flywheel)
1047	841580		SHAFT, Stub
1420	841735		SCREW -(Flywheel Cup to Rewind Spacer)

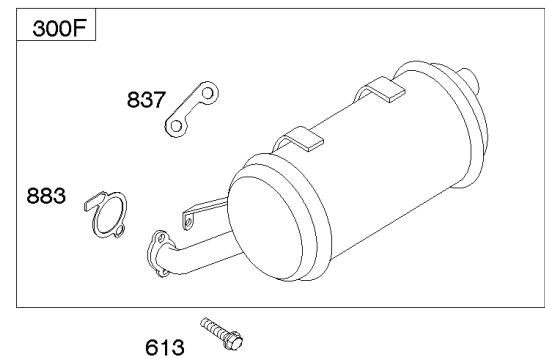
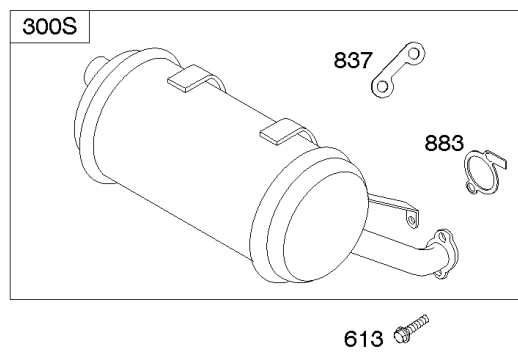
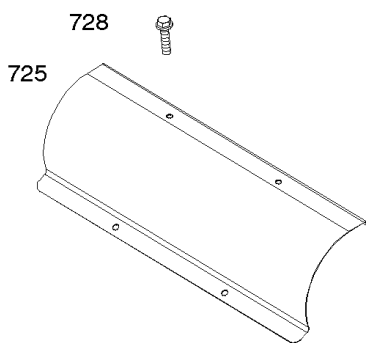
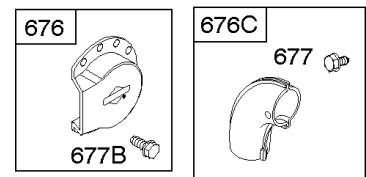
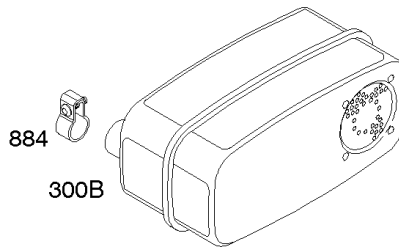
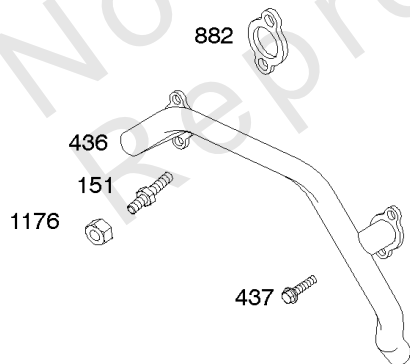
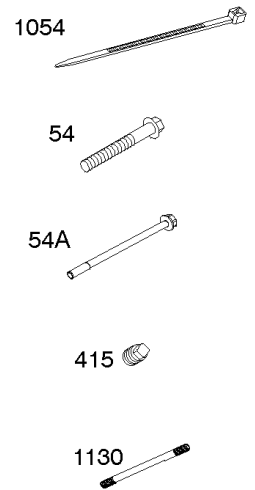
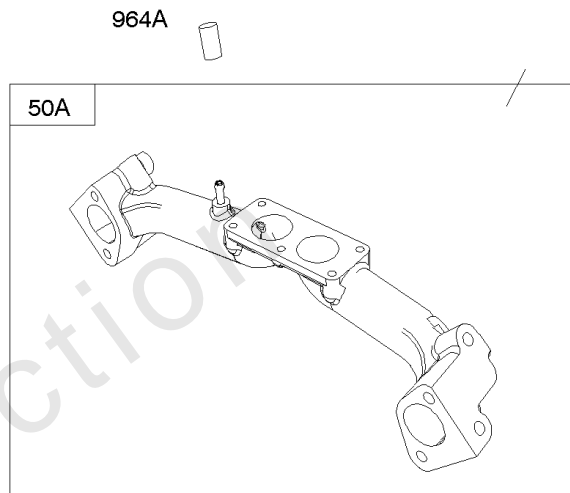
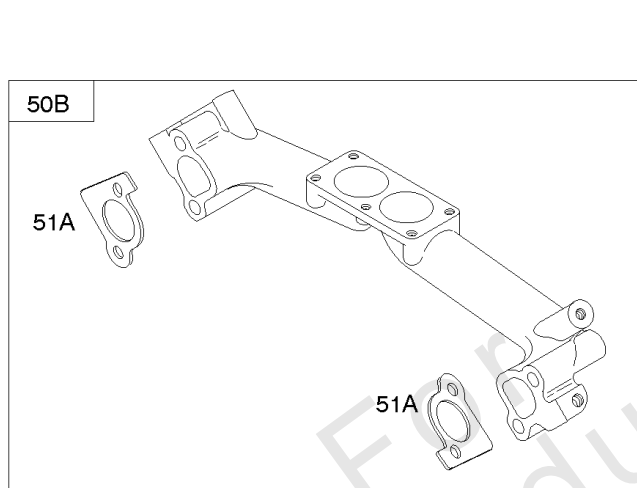
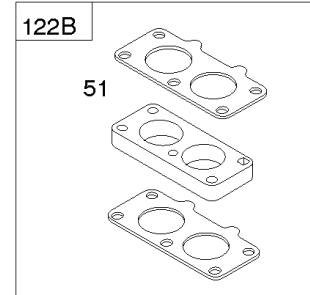
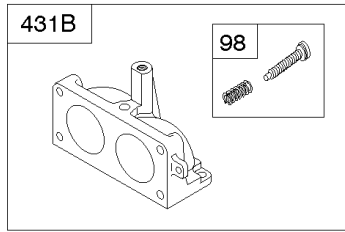
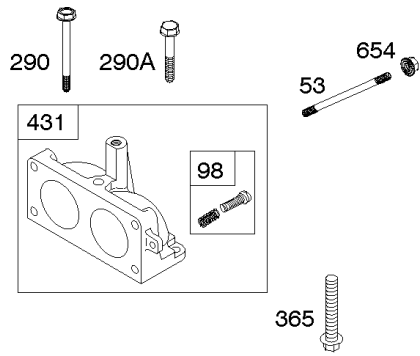


385A



Fuel Tank, Fuel Pumps, Fuel Filters, Fuel Lines

REF NO	PART NO	QTY	DESCRIPTION
182E	841601		BRACKET, Fuel Tank
182F	691520		BRACKET, Fuel Tank
182H	691524		BRACKET, Fuel Tank
182J	691525		BRACKET, Fuel Tank
182G	841600		BRACKET, Fuel Tank
187	791766		LINE, Fuel -(Cut To Required Length)
187B	846567		LINE, Fuel
187C	692106		LINE, Fuel
187D	846584		LINE, Fuel -(Formed)(6.88 Lg)(Cut To Required Length)
187D	791744		LINE, Fuel -(Formed)(14 Inches Long)(Cut To Required Length)
187D	791801		HOSE, Vacuum -(Formed)(7.34 Cut To Required Length)
190A	692199		SCREW -(Fuel Tank)
210	691370		STRAINER, Fuel
240B	84001895		FILTER, Fuel
240C	845125		FILTER, Fuel
385	807084		SCREW -(Fuel Pump)
387	808656		PUMP, Fuel
467	691985		KNOB, Air Cleaner Cover -Used Before Code Date 10040100
467	846431		KNOB, Air Cleaner Cover -Used After Code Date 10033100
527	690423		CLAMP, Tube
601	691038		CLAMP, Hose
601A	841597		CLAMP, Hose -(Oil Cooler Hose)
601C	691145		CLAMP, Hose -(Breather Tube)
601B	791850		CLAMP, Hose
628	806660		SCREW -(Fuel Pump Bracket)
674	692062		SCREW -(Fuel Tank Bracket) (M8x18mm)
788	691559		BRACKET, Fuel Pump
918	791880		LINE, Fuel
957	846987		CAP, Fuel Tank
958	698183		VALVE, Fuel Shut Off
964	590799		CAP, Connector
968B	844559		COVER, Air Cleaner
1054	280275		TIE, Cable



Intake Manifolds, Exhaust Systems, Fuel Pumps

REF NO	PART NO	QTY	DESCRIPTION
50A	844504		MANIFOLD, Intake
51	690950		GASKET, Intake
51A	806418		GASKET, Intake
53	690746		STUD -(Carburetor)
54	691492		SCREW -(Intake Manifold)
54A	847021		SCREW -(Intake Manifold) (M6 x 100mm)
98	843545		KIT, Idle Speed
122B	690870		SPACER, Carburetor
290	691537		SCREW -(Intake Elbow)
290A	691492		SCREW -(Intake Elbow)
300F	808896		MUFFLER -(Oil Filter Side Outlet)
300S	808705		MUFFLER -(Starter Side Outlet)
365	690866		SCREW -(Carburetor/Throttle Body)
415	794903		PLUG -(Oil Filter Adapter)
431	808659		MANIFOLD, Intake -(Carburetor)
437	691902		SCREW -(Exhaust Manifold)
613	691902		SCREW -(Muffler)
654	690939		NUT -(Carburetor)
676C	495518		DEFLECTOR, Muffler
677	810079		SCREW -(Muffler Deflector)
677B	690661		SCREW -(Muffler Deflector) (#8-18 x 0.375 lg)
725	846568		SHIELD, Heat
728	692067		SCREW -(Heat Shield)
819	692062		SCREW -(Muffler Bracket)
837	808085		SPACER -(Includes 2)
882	806965		FLANGE, Exhaust
883	806425		GASKET, Exhaust
964A	807468		CAP, Carburetor
1054	280275		TIE, Cable
1130	690746		STUD -(Intake Manifold) (M6x106mm)

Replacement Engine - US & Canada

REF NO	PART NO	QTY	DESCRIPTION
	695390	1	Replacement Short Block
	3854473075	1	Replacement Engine
-----			Top No-Load Speed: 3600 -Trim: ALL
-----			Service Note: For all Go-Karts use only a Model 136200 series engine as a replacement, regardless of the original Model.
-----			Service Note: Transfer the Muffler and/or Spark Arrester Assembly from the original engine if suitable for additional service, or add new parts as required. In some cases it maybe necessary to transfer the Oil Filter Adapter to the replacement engine.

Not For Reproduction

