

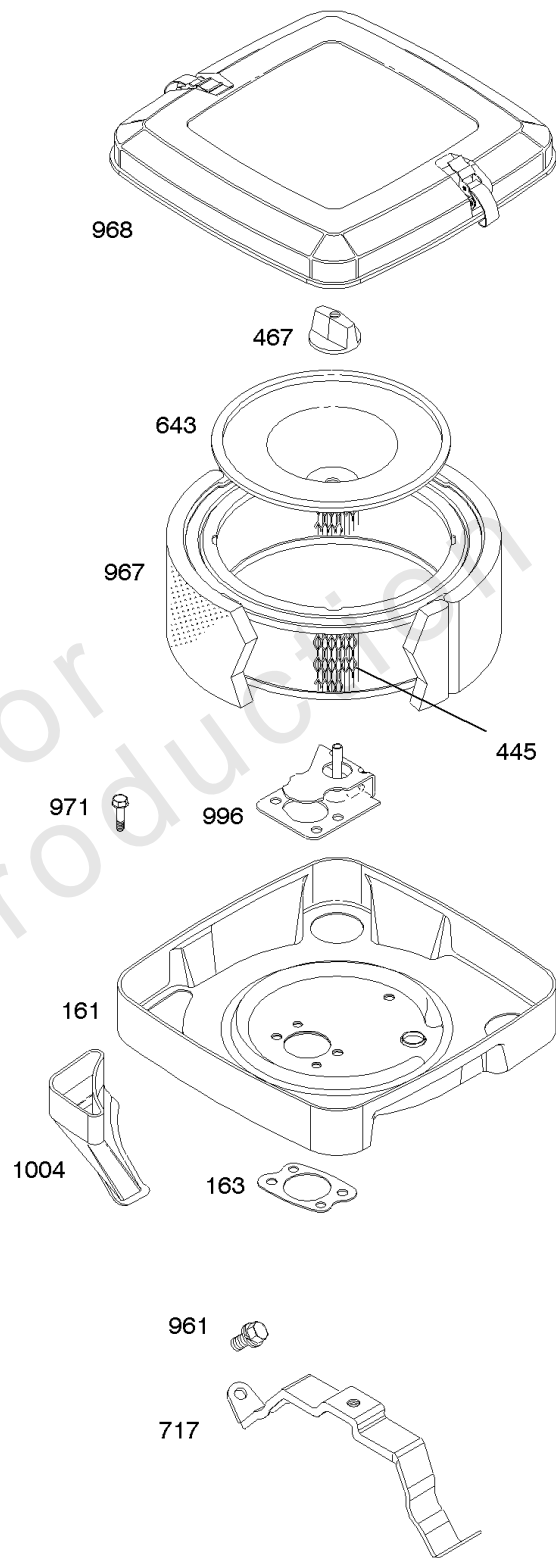


Parts Manual

Mfg. No: 389445-0114-E2

Model Components	Page
Air Cleaner.....	4
Alternator, Electric Starter, Ignition, Wires.....	6
Carburetor, Fuel Regulator.....	10
Connecting Rod, Piston/Rings, Cylinder, Crankshaft, Camshaft, Lubrication.....	12
Controls, Air Guides, Springs.....	16
Engine Gasket Set, Valve Gasket Set.....	18
Flywheel, Blower Housing, Muffler.....	20
Intake Manifold, Crankcase Covers, Oil Dipstick.....	22
Replacement Engine - US & Canada.....	24
Rocker Cover, Cylinder Head.....	25

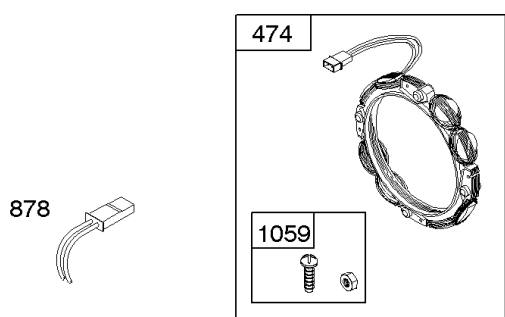
Not For
Reproduction



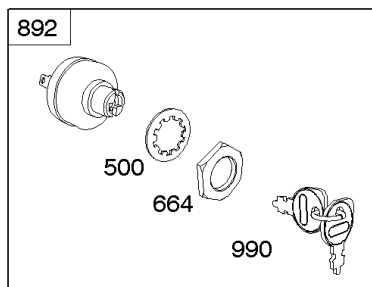
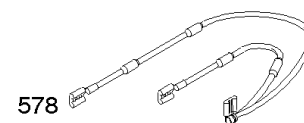
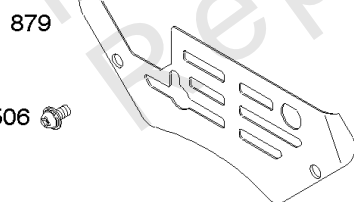
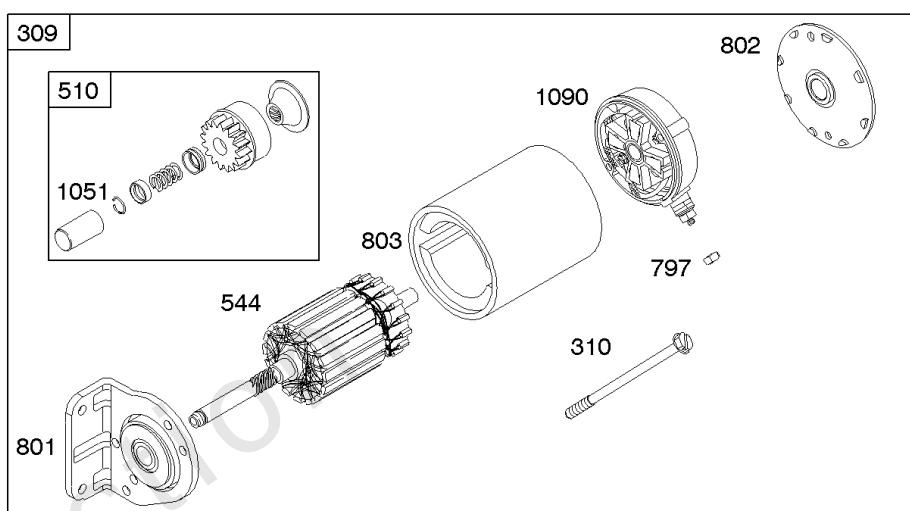
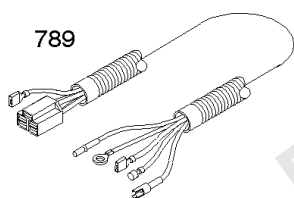
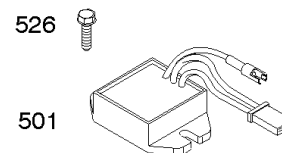
Air Cleaner

REF NO	PART NO	QTY	DESCRIPTION
161	691561		BASE, Air Cleaner -(Metal)
163	692081		GASKET, Air Cleaner -(Air Cleaner)
445	841359		FILTER, A/C Cartridge
467	691985		KNOB, Air Cleaner Cover
643	692079		RETAINER, Air Filter
717	692153		BRACKET, Air Cleaner
961	807084		SCREW -(Air Cleaner Bracket)
967	272490S		FILTER, Pre Cleaner
968	699959		COVER, Air Cleaner
971	807084		SCREW -(Air Cleaner Base) (Remote Choke)
996	691577		SHIELD, Carburetor
1004	842258		DUCT, Air

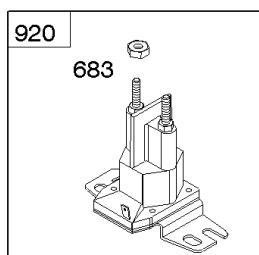
Not For Reproduction



1119



1054



729

529

507

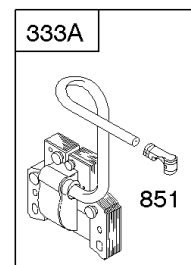
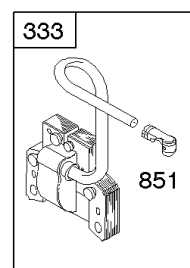
520

359

373

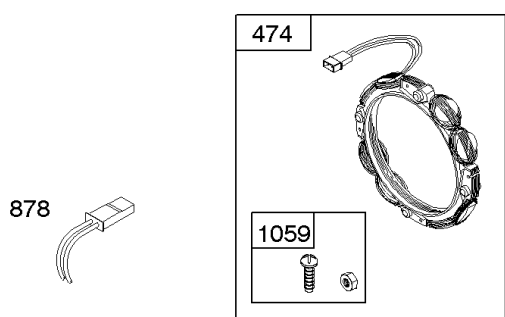


334

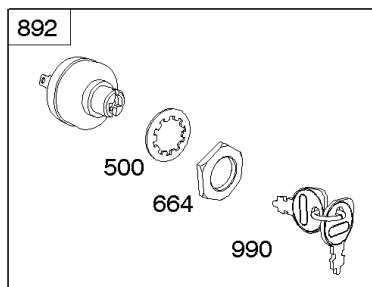
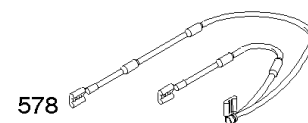
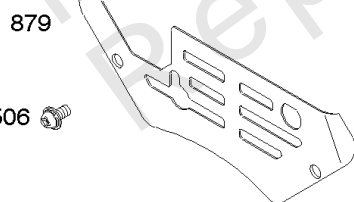
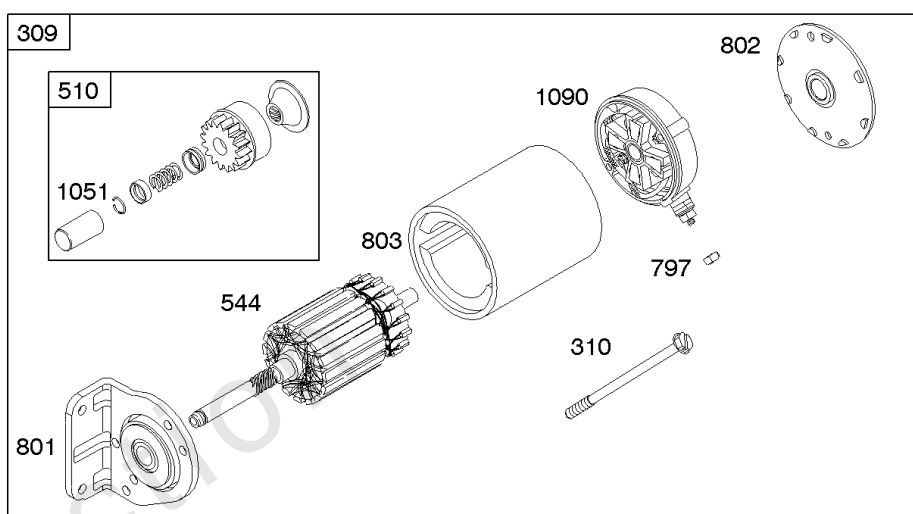
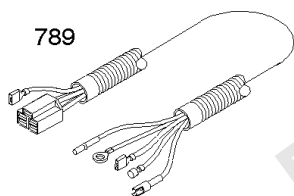
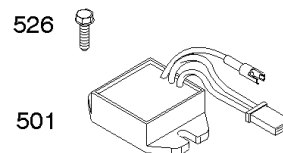


Alternator, Electric Starter, Ignition, Wires

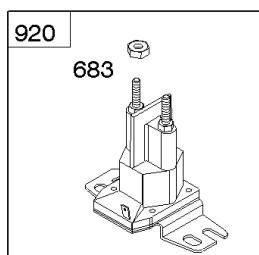
REF NO	PART NO	QTY	DESCRIPTION
309	691564		MOTOR, Starter
310	690323		BOLT -(Starter Motor)
333	844548		ARMATURE, Magneto -Used After Code Date 07100600
333A	492341		ARMATURE, Magneto -Used Before Code Date 07100700
334	692066		SCREW -(Magneto Armature)
359	691077		WASHER -(Ground Terminal)
373	691612		NUT -(Ground Terminal)
474	696458		ALTERNATOR
500	691086		WASHER -(Key Switch)
501	797375		REGULATOR
503	691532		STRAP, Starter
506	807120		SCREW -(Carburetor Cover)
507	691972		INSULATOR
510	496881		DRIVE, Starter
520	691084		TERMINAL, Ground
526	692067		SCREW -(Regulator)
527	690423		CLAMP, Tube
529	690744		GROMMET
544	693548		ARMATURE, Starter
577	690795		CABLE, Starter
578	692319		WIRE ASSEMBLY -Used Before Code Date 09100800
578	844547		WIRE ASSEMBLY -Used After Code Date 09100700
664	691087		NUT -(Key Switch)
683	691029		NUT -(Starter Solenoid)
697	691902		SCREW -(Drive Cap)
729	690586		CLIP, Wire
789	691996		HARNESS, Wiring
797	691029		NUT -(Brush Retainer) (Terminal)
801	-----		Cap-Drive -(For Replacement, Order Starter Motor 691564, Reference 309)
802	691286		CAP, End
803	693547		HOUSING, Starter
813	690635		CLAMP
851	493880S		TERMINAL, Spark Plug
878	398661		HARNESS, Wiring
879	841607		COVER, Carburetor/EFI
892	692318		SWITCH, Key
920	691656		SOLENOID, Starter
990	691959		SET, Key
1051	691124		RING, Retaining
1054	280275		TIE, Cable



1119



1054



729

529

507

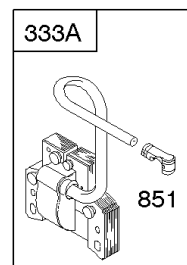
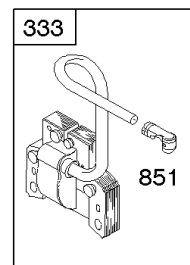
520

359

373



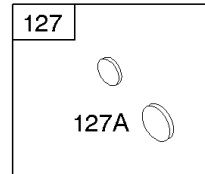
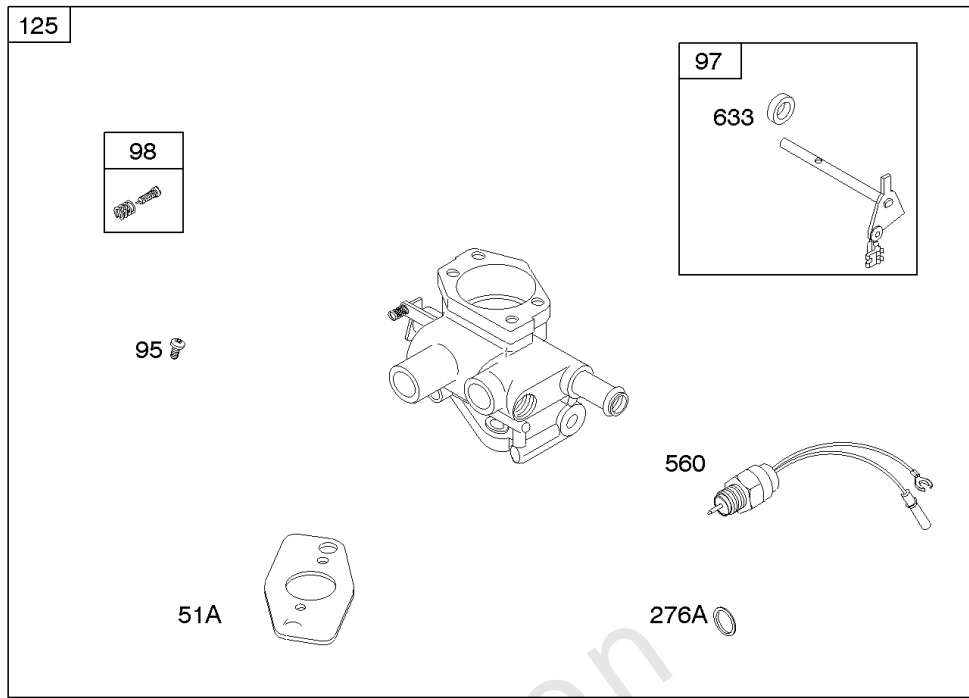
334



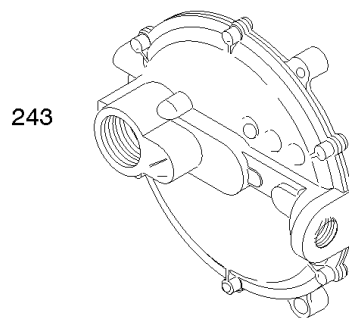
Alternator, Electric Starter, Ignition, Wires

REF NO	PART NO	QTY	DESCRIPTION
1059	698516		KIT, Screw/Washer
1090	691293		RETAINER, Brush
1119	691552		SCREW -(Alternator)

Not For Reproduction



Not For
Reproduction



SUPPLIED BY ORIGINAL EQUIPMENT MANUFACTURER ONLY

Carburetor, Fuel Regulator

REF NO	PART NO	QTY	DESCRIPTION
51A	806457		GASKET, Intake -(Intake Manifold To Carburetor)
95	690718		SCREW -(Throttle Valve)
97	808397		SHAFT, Throttle
98	808177		KIT, Idle Speed
125	809068		CARBURETOR
127	806460		PLUG, Welch
127A	694916		PLUG, Welch -(.5mm, 6.4mm Diameter)
243	-----		Regulator-Fuel -(Supplied By Original Equipment Manufacturer Only)
276A	806998		WASHER, Sealing -(LP/NG Fuel Switch)
454	693289		CAP, Breather
560	808693		SWITCH, LP/NG Fuel
633	695414		SEAL, Choke/Throttle Shaft -(Throttle Shaft)

Connecting Rod, Piston/Rings, Cylinder, Crankshaft, Camshaft, Lubrication

Mfg. No: 389445-0114-E2

1058 OPERATOR'S MANUAL

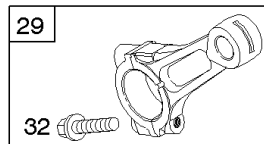
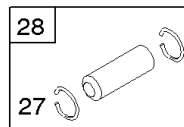
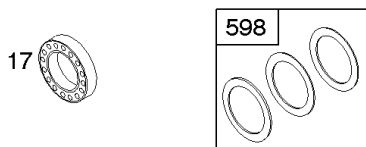
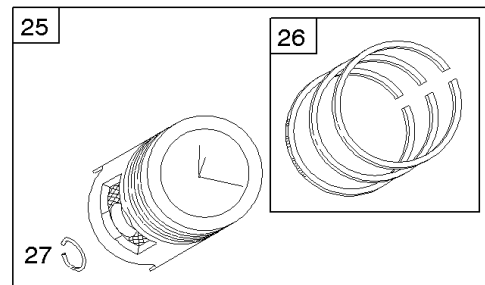
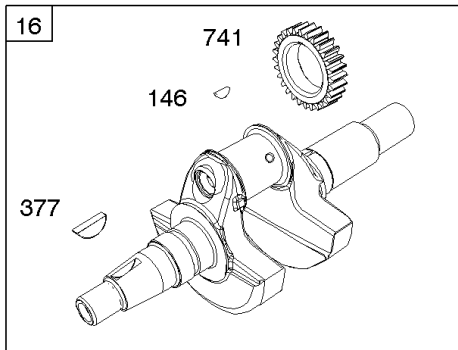
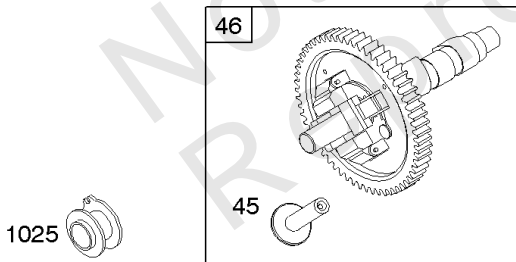
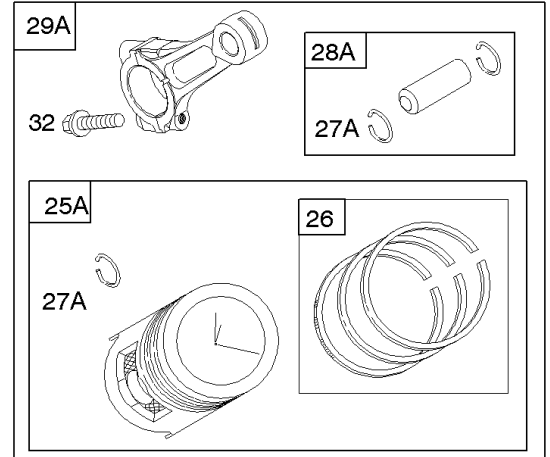
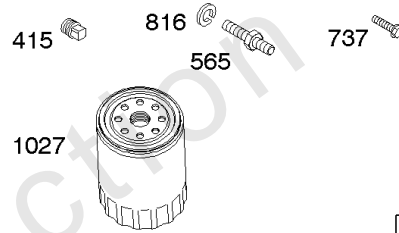
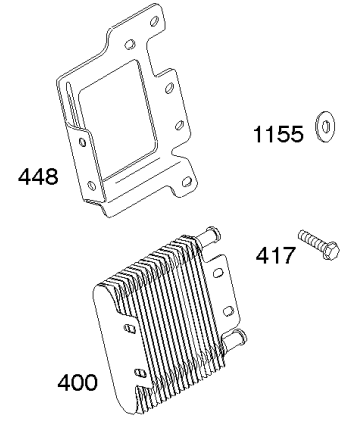
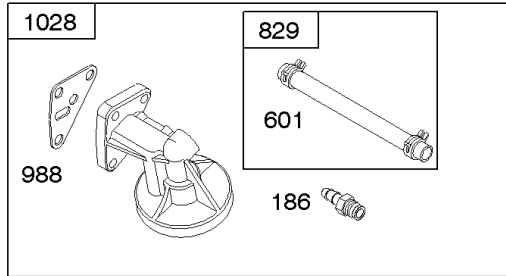
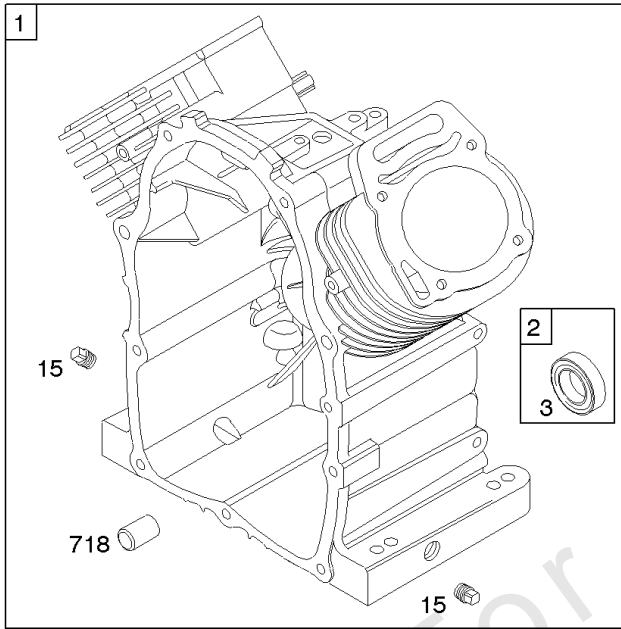


1319 WARNING LABEL



REQUIRED when replacing parts with warning labels affixed.

1330 REPAIR MANUAL



Connecting Rod, Piston/Rings, Cylinder, Crankshaft, Camshaft, Lubrication

REF NO	PART NO	QTY	DESCRIPTION
1	842684		CYLINDER ASSEMBLY
2	808534		KIT, Bushing/Seal -(Magneto Side)
3	805101S		SEAL, Oil -(Magneto Side)
15	690946		PLUG, Oil Drain
16	843810		CRANKSHAFT -Used After Code Date 07062900
17	843827		BEARING, Ball
25	844877		PISTON ASSEMBLY -(.020 Oversize) -Used After Code Date 07062900
25	843805		PISTON ASSEMBLY -(Standard) -Used After Code Date 07062900
25A	843823		PISTON ASSEMBLY -(.020 Oversize) (Includes Connecting Rod, Piston, Rings, Piston Pin andPiston Pin Locks) -Used Before Code Date 07063000
25A	844009		PISTON ASSEMBLY -(Standard) (Includes Connecting Rod, Piston, Rings, Piston Pin andPiston Pin Locks) -Used Before Code Date 07063000
26	843806		SET, Ring -(Standard)
26	843824		SET, Ring -(.020 Oversize)
27	690683		LOCK, Piston Pin -Used After Code Date 07062900
27A	806378		LOCK, Piston Pin -Used Before Code Date 07063000
28	844023		PIN, Piston -Used After Code Date 07062900
28A	808526		PIN, Piston -Used Before Code Date 07063000
29	807900S		ROD, Connecting -Used After Code Date 07062900
29A	844009		PISTON ASSEMBLY -(Includes Connecting Rod, Piston, Rings, Piston Pin and Piston PinClips) -Used Before Code Date 07063000
32	690698		SCREW -(Connecting Rod)
45	843379		TAPPET, Valve
46	690927		CAMSHAFT
146	691639		KEY, Timing
186	693184		CONNECTOR, Hose
239	841281		SWITCH, Oil Pressure
377	808095		KEY, Flywheel
400	808657		COOLER, Oil
415	794903		PLUG -(Intake Manifold)
417	843345		SCREW -(Oil Cooler)
448	841488		BRACKET, Oil Cooler
565	690682		STUD -(Oil Filter Adapter)
598	807625		SHIM, End Play -(Crankshaft or Camshaft Bearing)
601	841597		CLAMP, Hose -(Oil Hose)

Connecting Rod, Piston/Rings, Cylinder, Crankshaft, Camshaft, Lubrication

Mfg. No: 389445-0114-E2

1058 OPERATOR'S MANUAL

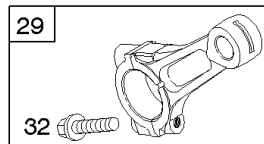
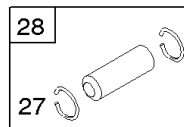
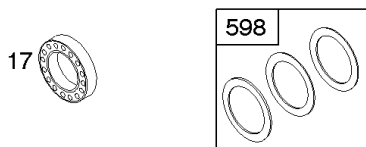
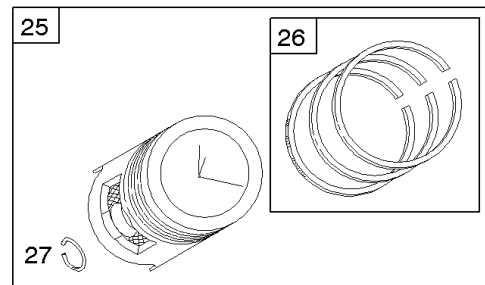
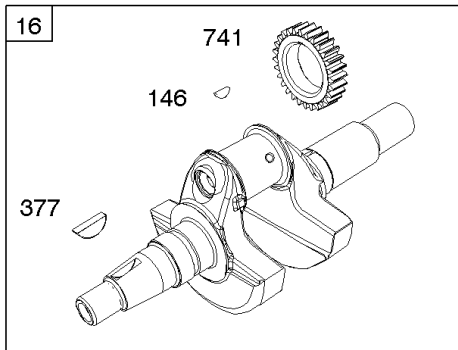
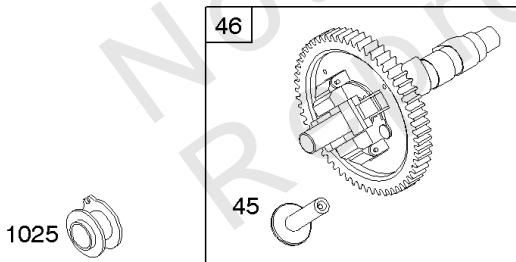
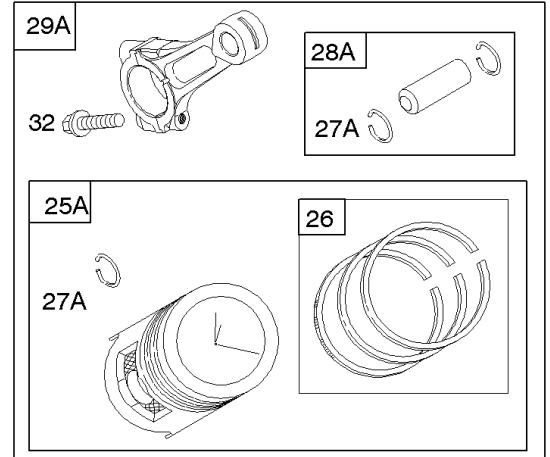
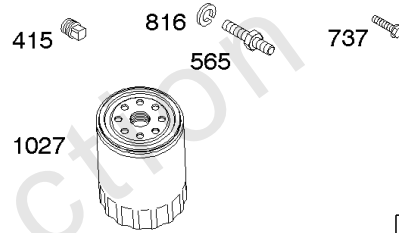
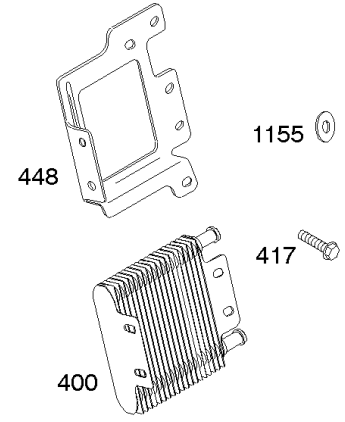
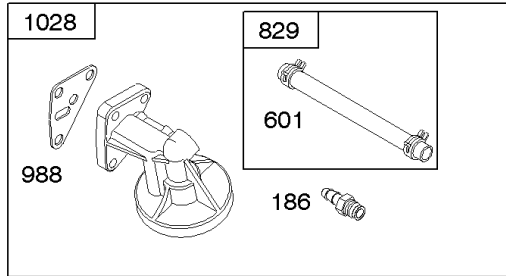
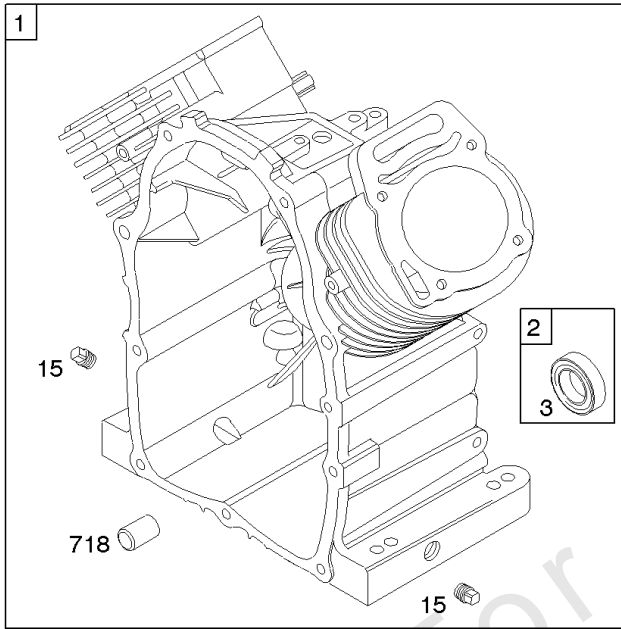


1319 WARNING LABEL



REQUIRED when replacing parts with warning labels affixed.

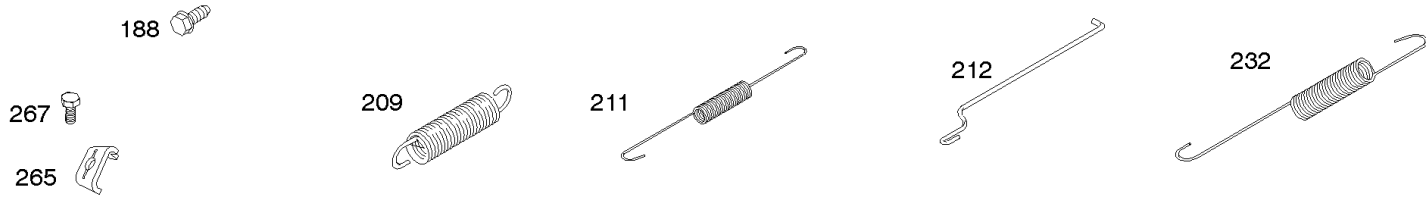
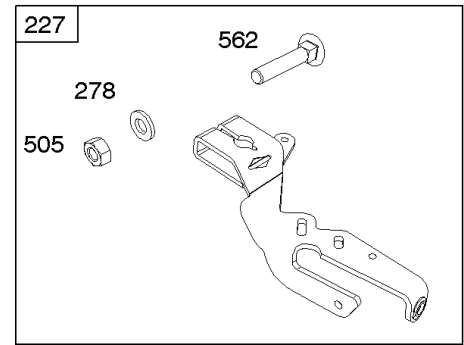
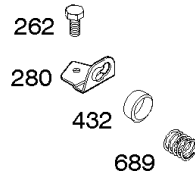
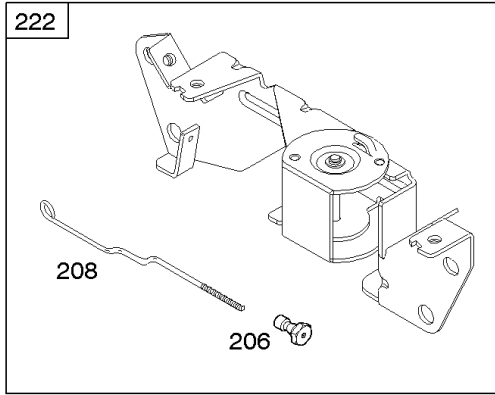
1330 REPAIR MANUAL



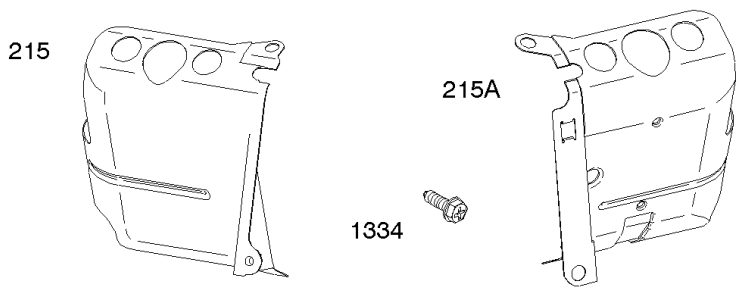
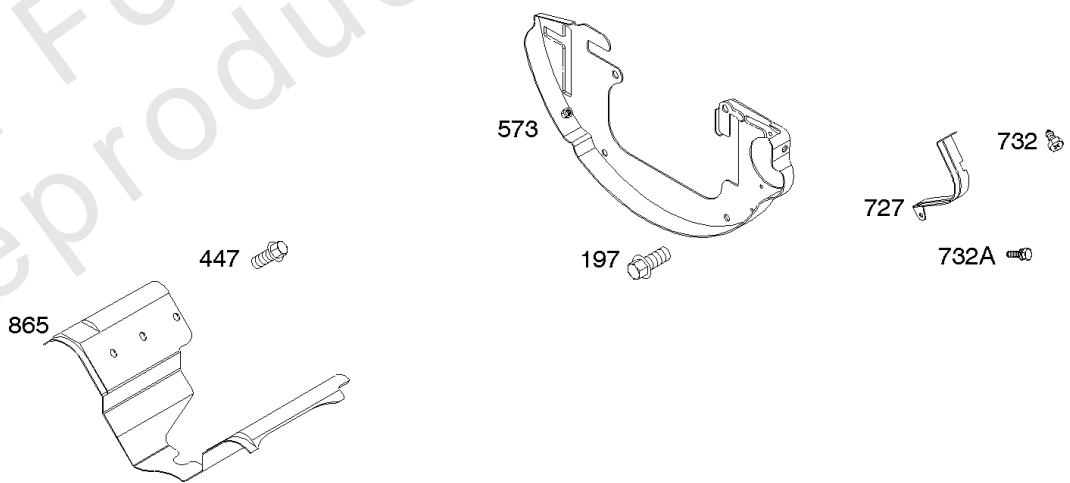
Connecting Rod, Piston/Rings, Cylinder, Crankshaft, Camshaft, Lubrication

REF NO	PART NO	QTY	DESCRIPTION
718	806469		PIN, Locating
737	690679		SCREW -(Oil Filter Adapter)
741	691530		GEAR, Timing
816	690706		WASHER -(Oil Filter Adapter)
829	841999		HOSE/CLAMP ASSEMBLY -(Cut To Required Length)
988	692063		GASKET, Oil Adapter
1025	690689		SPOOL, Governor
1027	842921		FILTER, Oil
1028	808537		ADAPTER, Oil Filter
1058	279543WST		MANUAL, Operator's
1155	806647		WASHER -(Oil Cooler)
1319	794467		LABEL, Warning
1330	272144		MANUAL, Repair

Not For Reproduction

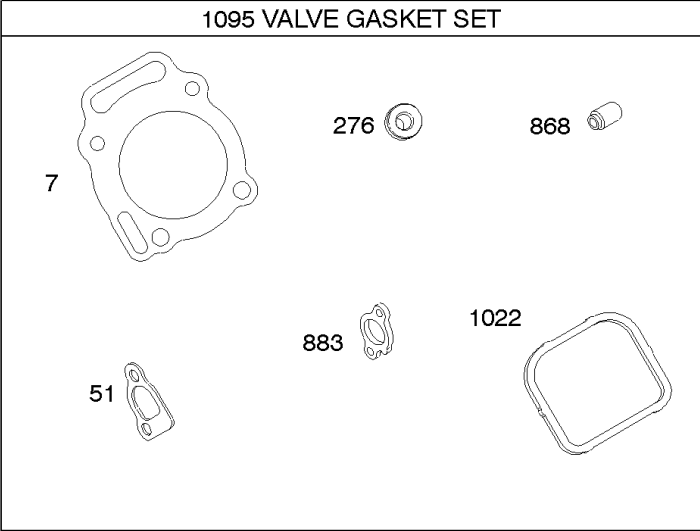
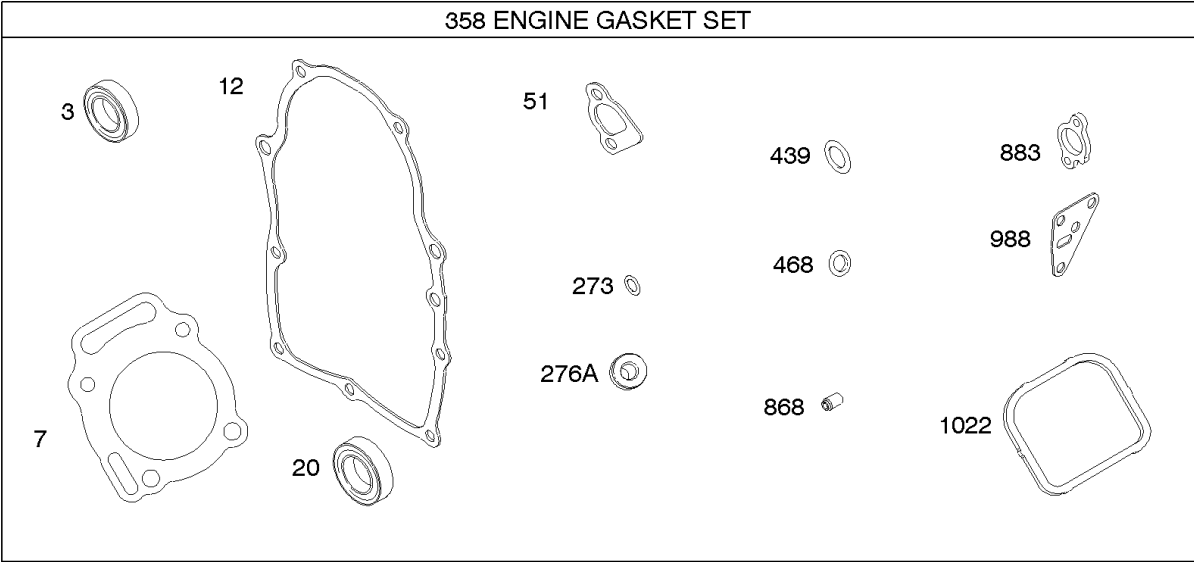


Not For
Reproduction



Controls, Air Guides, Springs

REF NO	PART NO	QTY	DESCRIPTION
188	692056		SCREW -(Control Bracket)
197	807163		SCREW -(Back Plate)
206	691244		NUT, Governor Adjusting
208	691549		ROD, Governor Control
209	691546		SPRING, Governor -(Purple)
211	690707		SPRING, Governed Idle -(White)
212	690712		LINK, Throttle
215	841183		GUIDE, Air -(Cylinder 1)
215A	841182		GUIDE, Air -(Cylinder 2)
222	808454		BRACKET, Control
227	690236		LEVER, Governor Control
232	692073		SPRING, Governor Link
262	841552		SCREW -(Rod Bracket)
278	842122		WASHER -(Governor Control Lever)
280	691526		BRACKET, Fixed Speed
432	691509		CAP, Spring
447	841233		SCREW -(Air Guide Cover)
505	690238		NUT -(Governor Lever)
562	690239		BOLT -(Governor Control Lever)
573	841310		PLATE, Back
689	691272		SPRING, Friction
727	841313		COVER, Starter Drive
732	690688		SCREW -(Starter Drive Cover)
732A	841233		SCREW -(Starter Drive Cover) (M6x10mm)
865	807119		COVER, Air Guide -Used Before Code Date 07021400
865	843768		COVER, Air Guide -Used After Code Date 07021300
1334	692539		SCREW -(Air Guide)

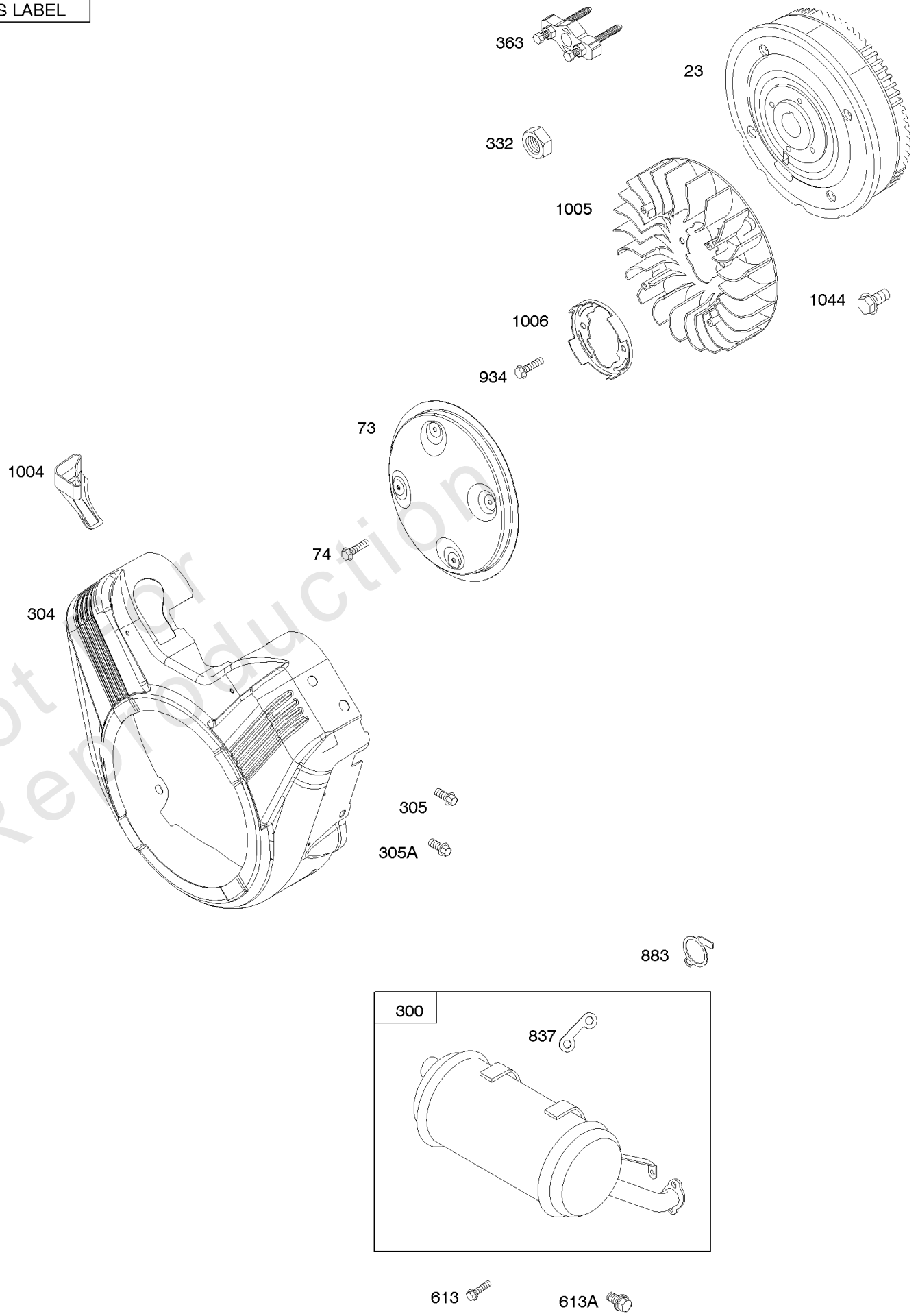


Not For
Reproduction

Engine Gasket Set, Valve Gasket Set

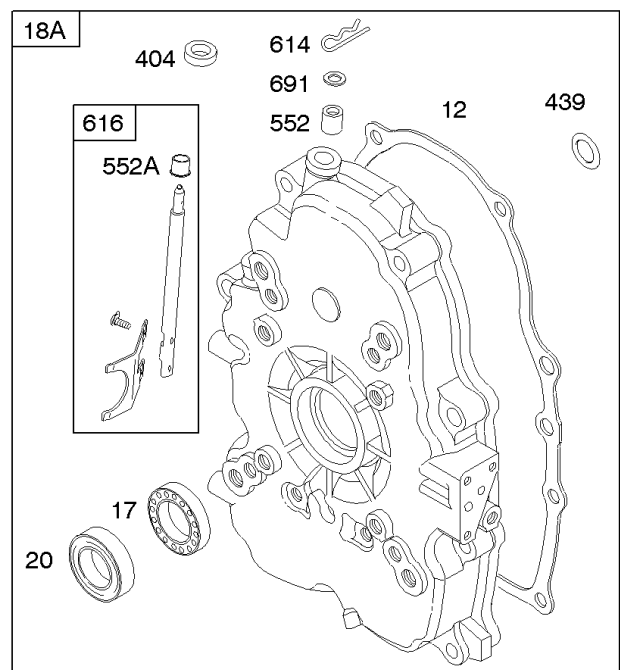
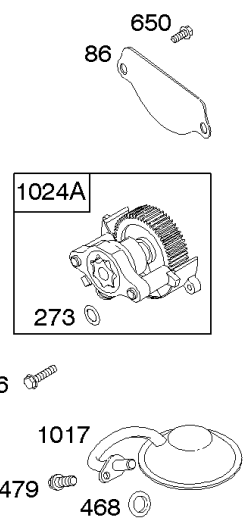
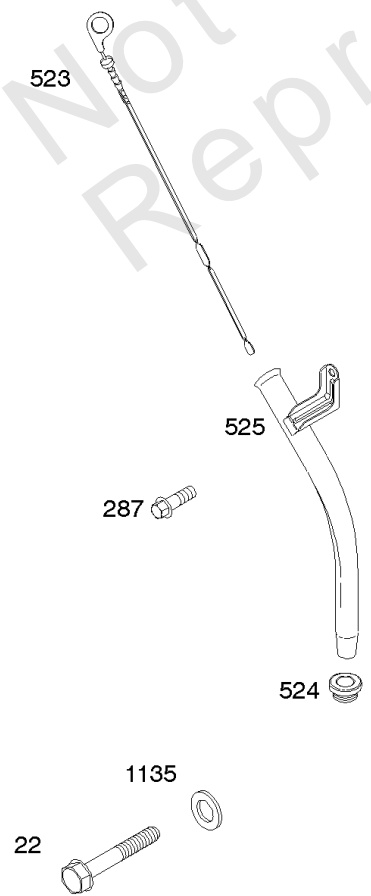
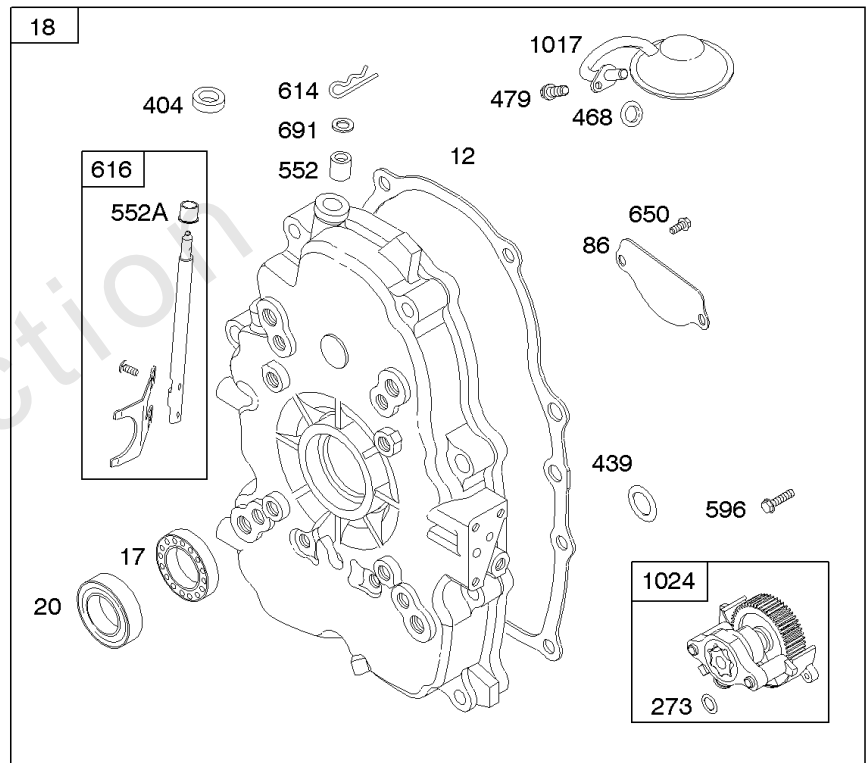
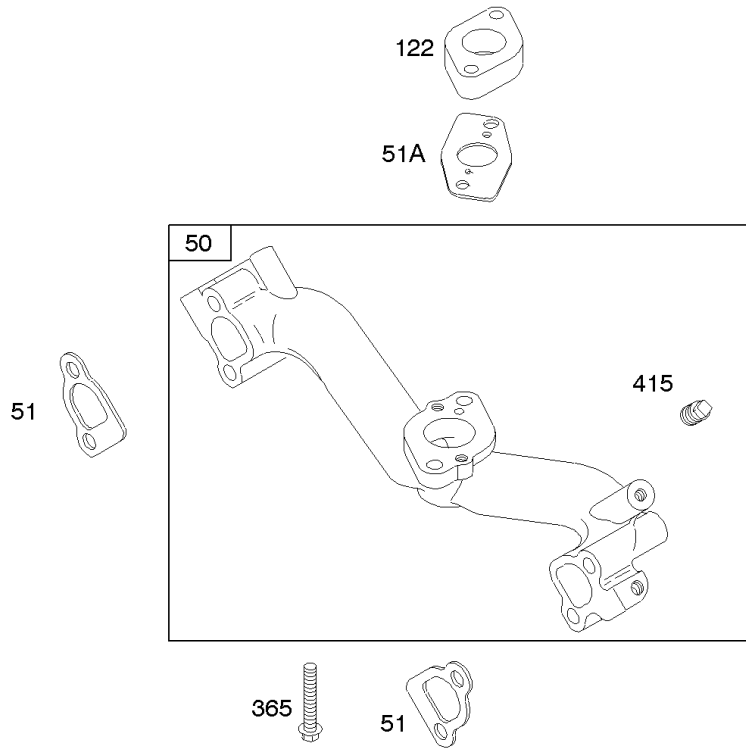
REF NO	PART NO	QTY	DESCRIPTION
3	805101S		SEAL, Oil -(Magneto Side)
7	842622		GASKET, Cylinder Head
12	846487		GASKET, Crankcase
20	805049S		SEAL, Oil -(PTO Side)
51	806418		GASKET, Intake -(Intake Manifold to Cylinder Head)
273	690681		SEAL, O-Ring -(Oil Pump)
276	807085		WASHER, Sealing -(Rocker Cover)
276A	806998		WASHER, Sealing -(LP/NG Fuel Switch)
358	842663		GASKET SET, Engine
439	692154		O-RING, Oil Gallery -(Crankcase Cover/Sump) or (Cylinder Assembly)
468	690690		SEAL, O-Ring -(Oil Pump Screen)
868	691963		SEAL, Valve
883	806425		GASKET, Exhaust
988	692063		GASKET, Oil Adapter
1022	806039S		GASKET, Rocker Cover
1095	842662		GASKET SET, Valve

1036 EMISSIONS LABEL



Flywheel, Blower Housing, Muffler

REF NO	PART NO	QTY	DESCRIPTION
23	842259		FLYWHEEL
73	841440		SCREEN, Rotating
74	841441		SCREW -(Rotating Screen)
304	842742		HOUSING, Blower
305	692056		SCREW -(Blower Housing) (M8x14mm)
305A	692062		SCREW -(Blower Housing) (M8X18mm)
332	690887		NUT -(Flywheel)
363	19203		PULLER, Flywheel
613	691902		SCREW -(Muffler) (M8x20mm)
883	806425		GASKET, Exhaust
934	691058		SCREW -(Fan Retainer)
1004	842258		DUCT, Air
1005	841439		FAN, Flywheel
1006	690452		RETAINER, Fan
1036	-----		Label-Emissions -(Available From A Briggs & Stratton Authorized Dealer)
1044	692056		SCREW -(Flywheel)



Intake Manifold, Crankcase Covers, Oil Dipstick

REF NO	PART NO	QTY	DESCRIPTION
12	846487		GASKET, Crankcase
17	843827		BEARING, Ball
18	844588		COVER, Crankcase -Used After Code Date 07101400
18A	808849		COVER, Crankcase -Used Before Code Date 07101500
20	805049S		SEAL, Oil -(PTO Side)
22	807362		SCREW -(Crankcase Cover/Sump)
50	809067		MANIFOLD, Intake
51	806418		GASKET, Intake -(Intake Manifold to Cylinder Head)
51A	806457		GASKET, Intake -(Intake Manifold To Carburetor)
54	806444		SCREW -(Intake Manifold)
86	690745		COVER, Gear
122	690747		SPACER, Carburetor
273	690681		SEAL, O-Ring -(Oil Pump)
287	692062		SCREW -(Dipstick Tube)
365	690711		SCREW -(Carburetor)
404	690704		WASHER -(Governor Crank)
415	794903		PLUG -(Intake Manifold)
439	692154		O-RING, Oil Gallery -(Crankcase Cover/Sump) or (Cylinder Assembly)
468	690690		SEAL, O-Ring -(Oil Pump Screen)
479	807084		SCREW -(Oil Pump Screen)
523	693175		DIPSTICK
524	693172		SEAL, O-Ring -(Dipstick Tube)
525	693174		TUBE, Dipstick
552	690701		BUSHING, Governor Crank -(Output End)
552A	806686		BUSHING, Governor Crank -(Flanged)
596	691492		SCREW -(Oil Pump)
614	691550		PIN, Cotter
616	806685		CRANK, Governor
650	692539		SCREW -(Oil Deflector)
691	842826		SEAL, Governor Shaft
1017	690900		SCREEN, Oil Pump
1024	843825		PUMP, Oil -Used After Code Date 07101400
1024A	-----		Pump-Oil -(To Replace, see Reference 18, 844588) -Used Before Code Date 07101500
1135	806497		WASHER -(Crankcase Cover/Sump)

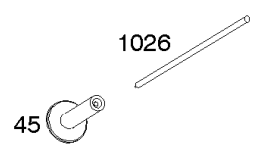
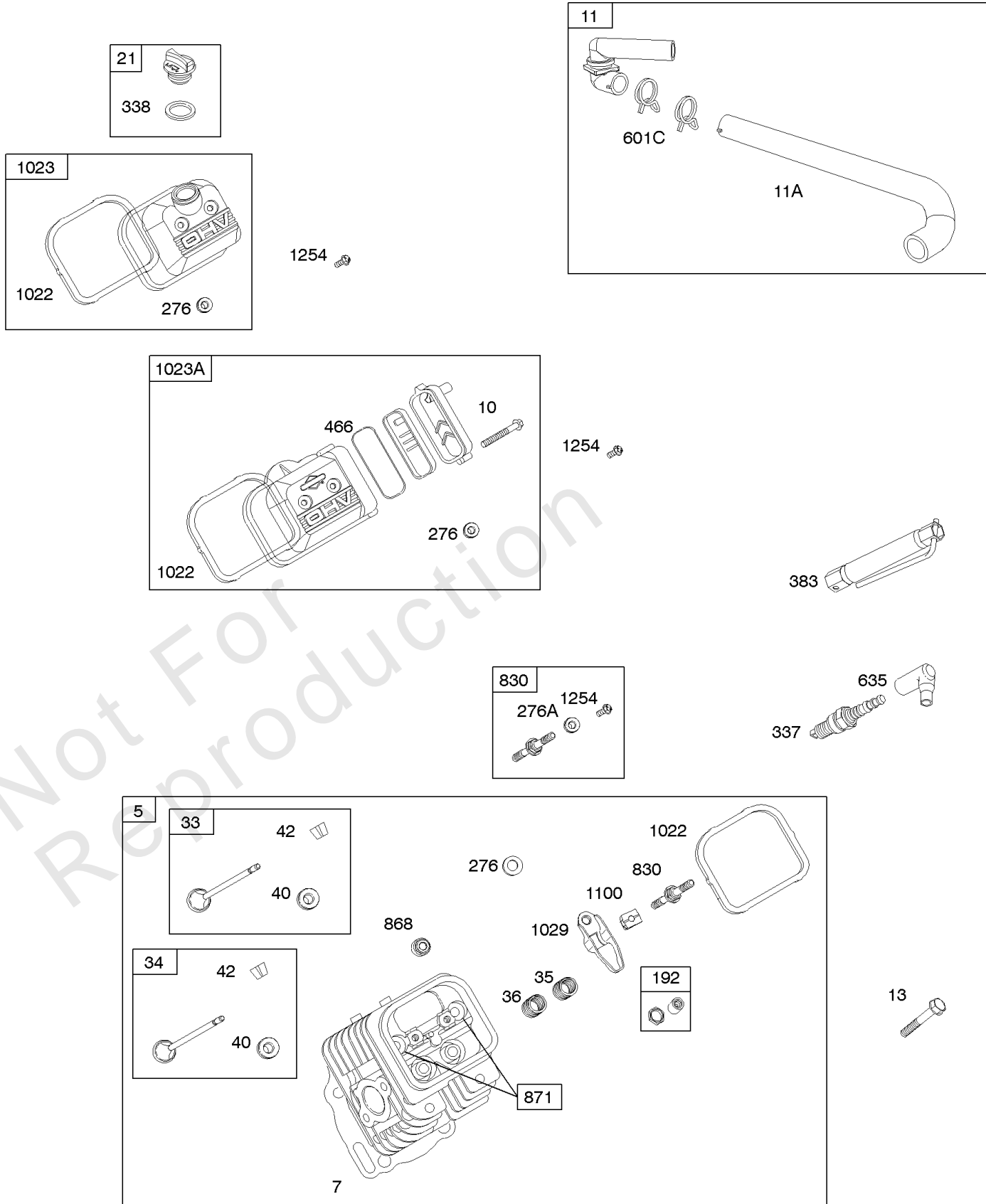
Replacement Engine - US & Canada

REF NO	PART NO	QTY	DESCRIPTION
	3894450114	1	Replacement Engine
	-----		Top No-Load Speed: 3750 -Trim: ALL
	-----		Service Note: For all Go-Karts use only a Model 136200 series engine as a replacement, regardless of the original Model.

Not For Reproduction

Rocker Cover, Cylinder Head

Mfg. No: 389445-0114-E2



Rocker Cover, Cylinder Head

REF NO	PART NO	QTY	DESCRIPTION
5	842661		HEAD, Cylinder -(Cylinder 1)
5	842660		HEAD, Cylinder -(Cylinder 2)
7	842622		GASKET, Cylinder Head
10	806421		SCREW -(Breather Assembly)
11	808686		TUBE, Breather
11A	841021		TUBE, Breather
13	842618		SCREW -(Cylinder Head)
21	809500		CAP, Oil Fill
33	843752		VALVE, Exhaust
34	843751		VALVE, Intake
35	692084		SPRING, Valve -(Intake)
36	692084		SPRING, Valve -(Exhaust)
40	692058		RETAINER, Valve
42	807683		KEEPER, Valve
45	843379		TAPPET, Valve
192	807623		ADJUSTER, Rocker Arm
276	807085		WASHER, Sealing -(Rocker Cover)
276A	806998		WASHER, Sealing -(LP/NG Fuel Switch)
337	692051		PLUG, Spark
338	691312		SEAL, O-Ring -(Dipstick Tube)
383	19576S		WRENCH, Spark Plug
466	806466		SEAL, O-Ring -(Breather Assembly)
601C	691145		CLAMP, Hose -(Breather Tube)
635	692076		BOOT, Spark Plug
830	809157		STUD, Rocker Arm -(Rocker Arm)
868	691963		SEAL, Valve
871	692057		BUSHING, Valve Guide
1022	806039S		GASKET, Rocker Cover
1023	843749		COVER, Rocker
1023A	843750		COVER, Rocker -(Includes Breather Assembly)
1026	691758		ROD, Push -(Exhaust)
1026	691836		ROD, Push -(Intake)
1029	807323		ARM, Rocker
1100	791959		PIVOT, Rocker Arm
1254	807084		SCREW -(Rocker Arm Stud)

