



# Parts Manual

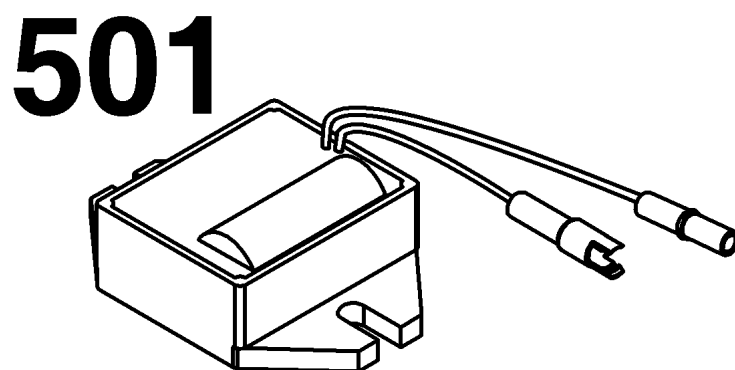
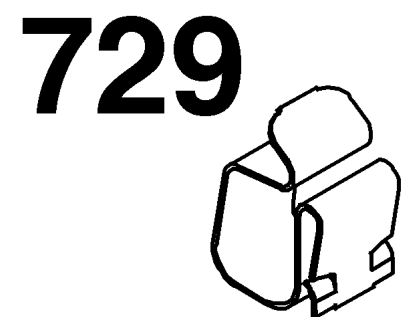
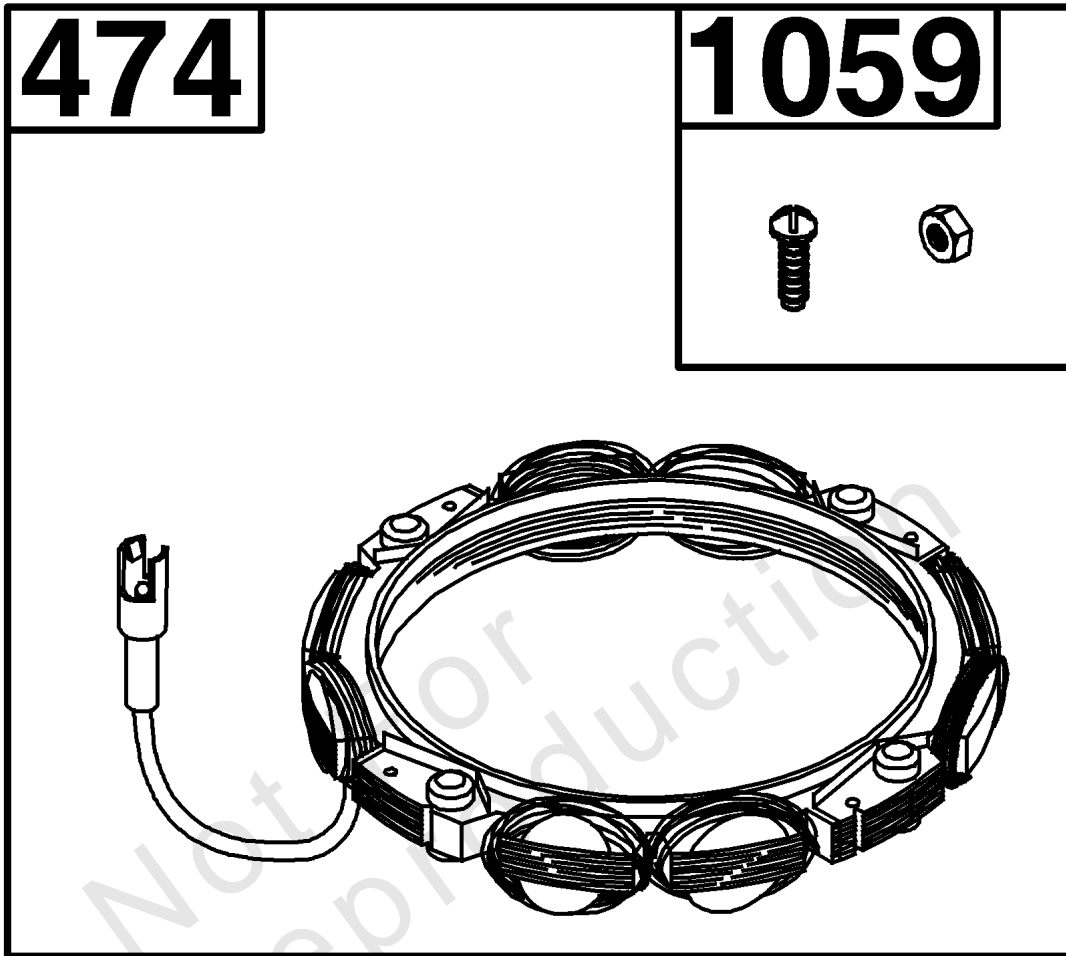
Mfg. No: 40T876-0009-G1



---

<b>Model Components</b>	<b>Page</b>
Alternator Group.....	4
Blower Housing and Air Cleaner Group.....	6
Carburetor and Fuel Supply Group.....	8
Controls Group.....	10
Crankshaft Group.....	12
Cylinder Group.....	14
Cylinder Head Group.....	16
Flywheel, Ignition, and Starter Group.....	18
Lubrication Group.....	20
Replacement Engine - US & Canada.....	22
Service Parts and Tools Group.....	23
Sump Group.....	25

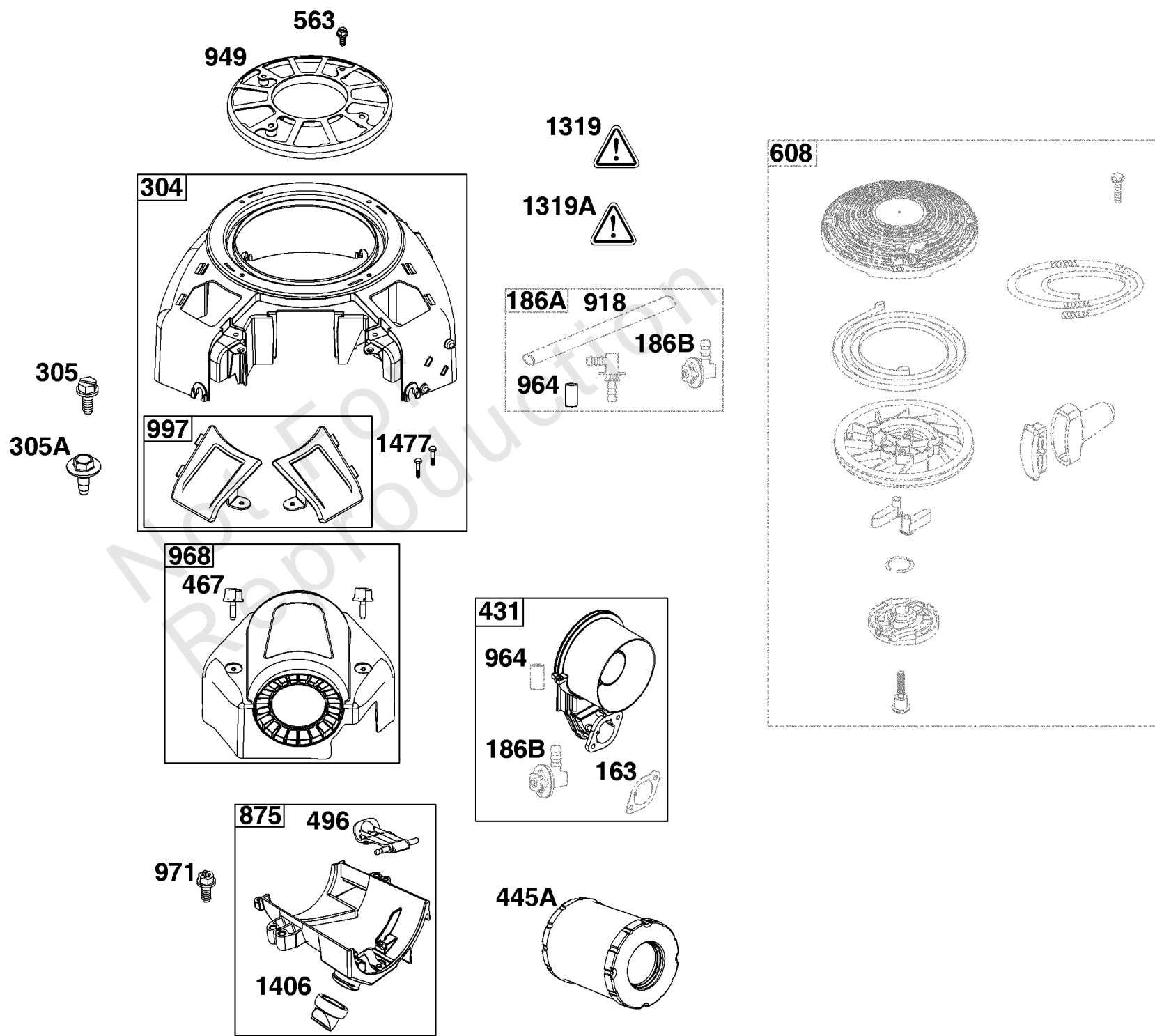
Not For  
Reproduction



## Alternator Group

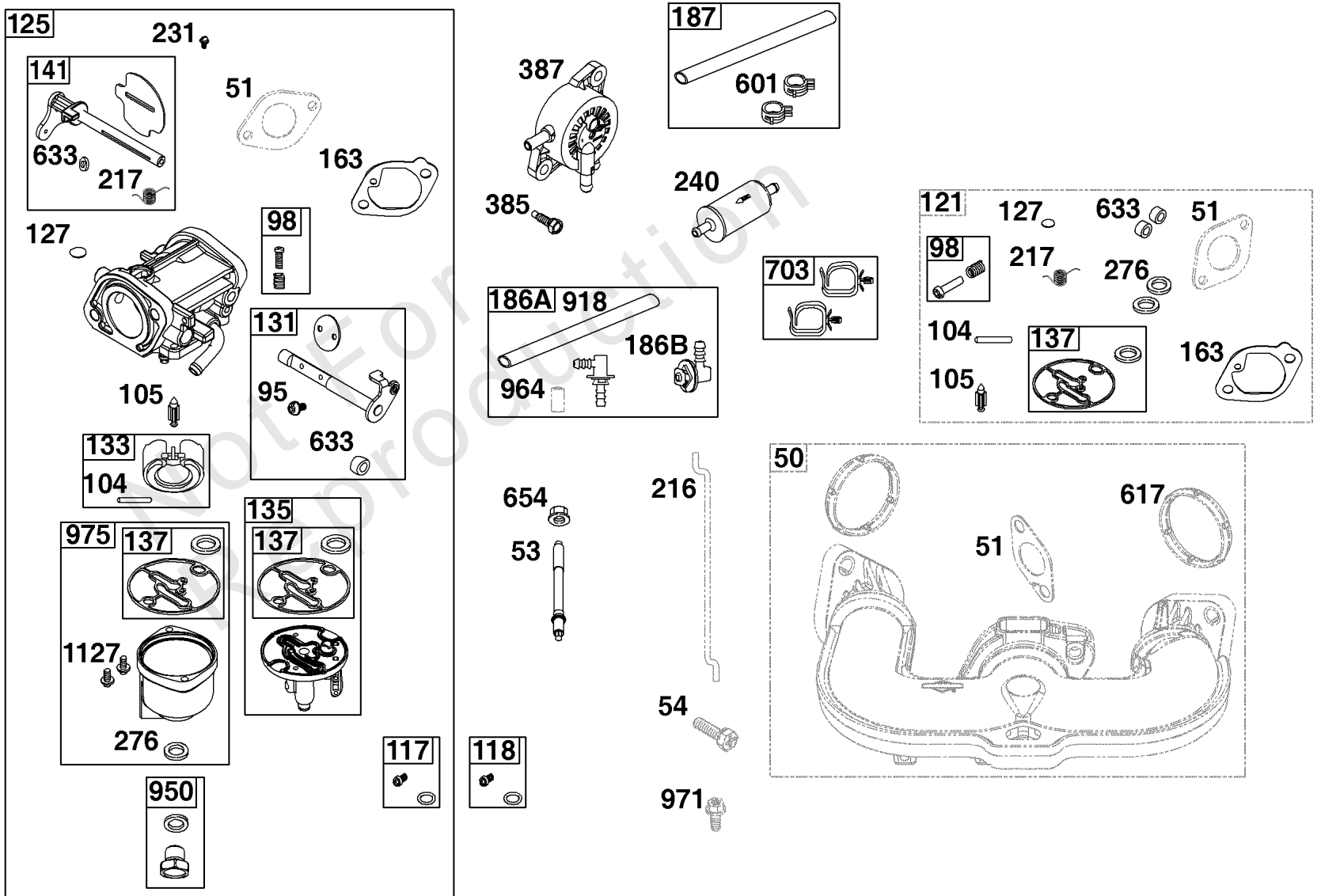
REF NO	PART NO	QTY	DESCRIPTION
474	592829	1	ALTERNATOR -(5/9 Amp. Regulated)
501	698315	1	REGULATOR
526	691108	1	SCREW -(Regulator)
729	593826	1	CLIP, Wire
1059	698516	1	KIT, Screw/Washer
1119	691183	4	SCREW -(Alternator)

Not For Reproduction



## Blower Housing and Air Cleaner Group

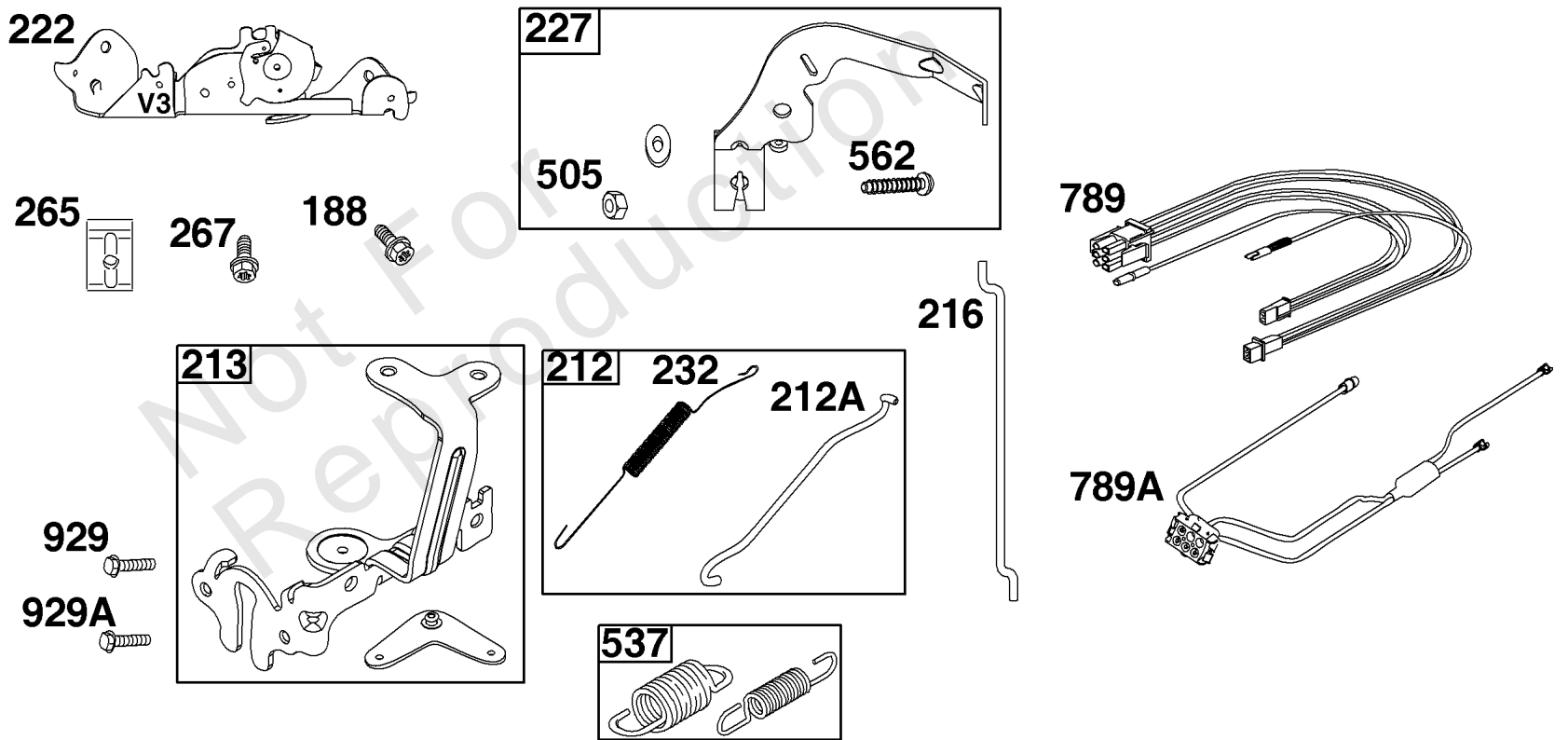
REF NO	PART NO	QTY	DESCRIPTION
304	799957		HOUSING, Blower
305	691130		SCREW -(Blower Housing)
305A	594618		SCREW -(Blower Housing)
431	595735		ELBOW, Intake
445A	798897		FILTER, A/C Cartridge
467	790697		KNOB, Air Cleaner Cover
496	799095		LEVER, Air Cleaner Filter
563	698425		SCREW -(Debris Screen Guard)
875	799094		BASE, Air Cleaner
949	595142		GUARD, Debris Screen
964	799159		CAP, Connector
968	799102		COVER, Air Cleaner
971	698304		SCREW -(Air Cleaner Base to Carburetor/Throttle Body)
997	592782		COVER, Blower Housing
1319	794467		LABEL, Warning -(REQUIRED When Replacing Parts With Warning Labels Affixed)
1319A	797669		LABEL, Warning -(REQUIRED When Replacing Parts With Warning Labels Affixed)
1406	799096		VALVE, Debris
1477	799093		SCREW -(Debris Shield)





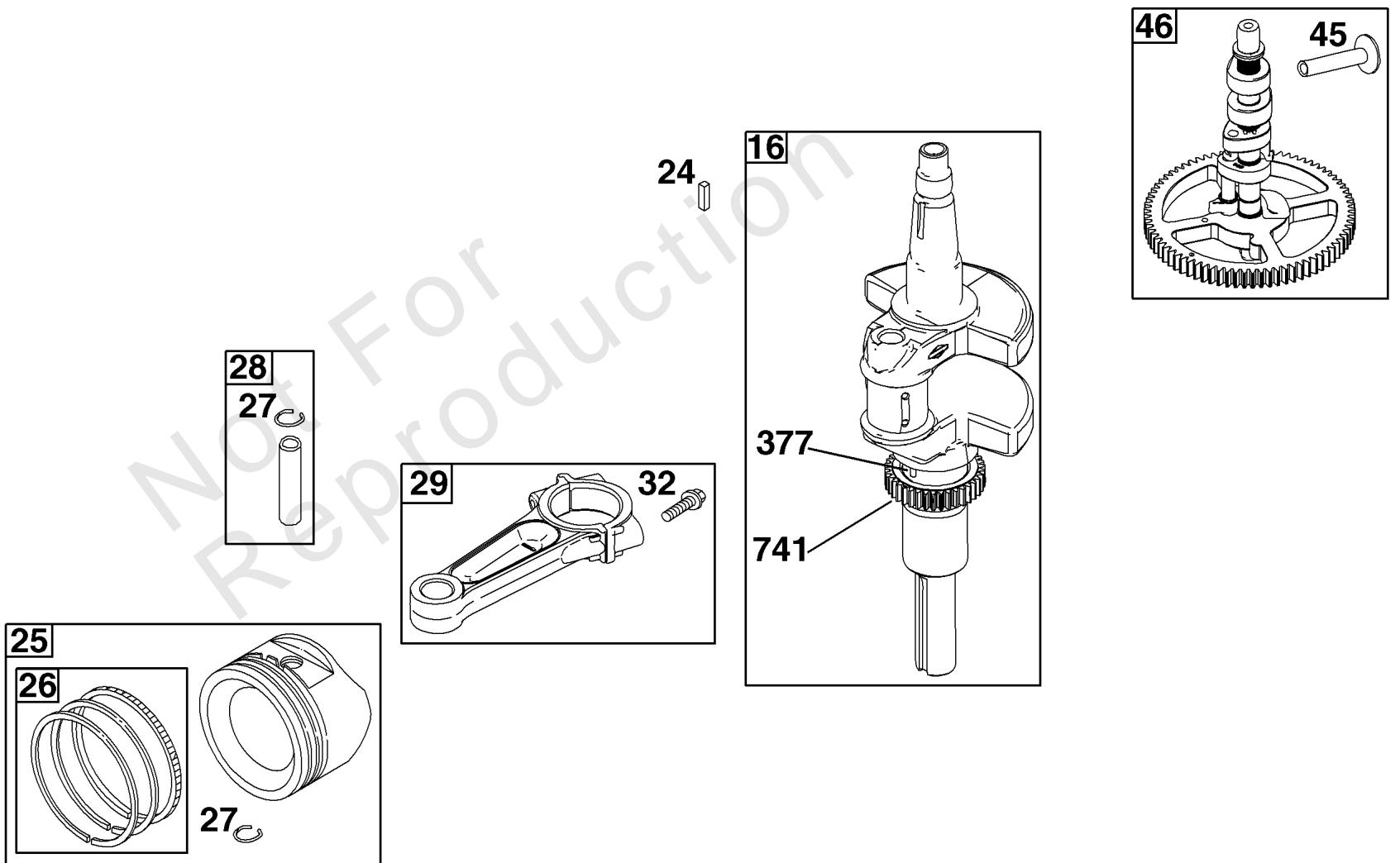
## Carburetor and Fuel Supply Group

REF NO	PART NO	QTY	DESCRIPTION
53	690951		STUD -(Carburetor)
95	690718		SCREW -(Throttle Valve)
98	695408		KIT, Idle Speed
104	694918		PIN, Float Hinge
105	698537		VALVE, Float Needle
117	842585		JET, Main -(Standard)
118	792296		JET, Main -(High Altitude)
125	595798		CARBURETOR
127	699810		PLUG, Welch
131	594210		KIT, Throttle Shaft
133	694914		FLOAT, Carburetor
135	591701		TUBE, Fuel Transfer
137	698781		GASKET, Float Bowl
141	594211		KIT, Choke Shaft
163	594203		GASKET, Intake
186A	799158		CONNECTOR, Hose
186B	845141		CONNECTOR, Hose
187	791766		LINE, Fuel
217	799771		SPRING, Choke Return
231	690718		SCREW -(Choke Valve)
240	845125		FILTER, Fuel
276	695410		WASHER, Sealing
385	797409		SCREW -(Fuel Pump)
387	808656		PUMP, Fuel
601	691038		CLAMP, Hose
633	699813		SEAL, Choke/Throttle Shaft
654	690958		NUT -(Carburetor)
703	691010		CLIP
918	799160		HOSE, Vacuum
950	694919		SCREW -(Float Bowl)
975	591699		BOWL, Float
1127	695407		SCREW -(Float Bowl) (Float Bowl to Carburetor Body)



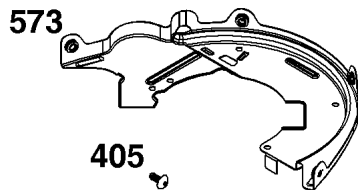
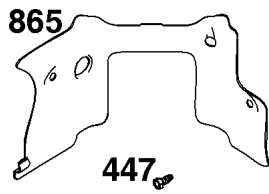
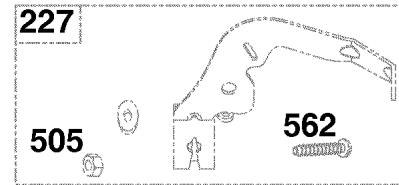
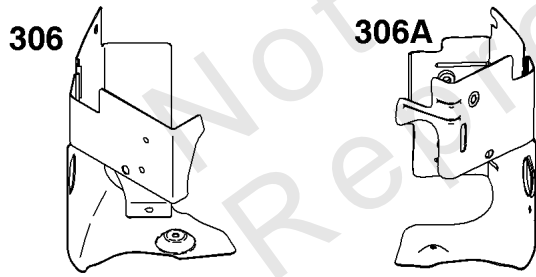
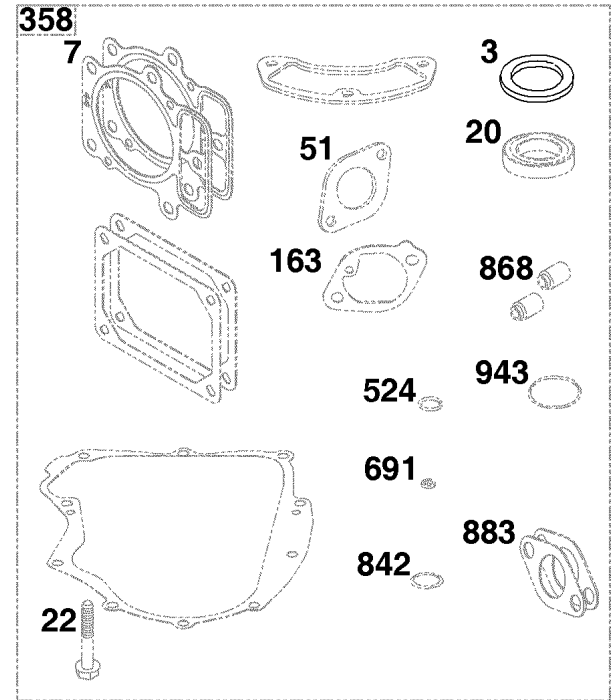
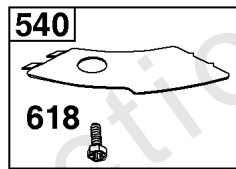
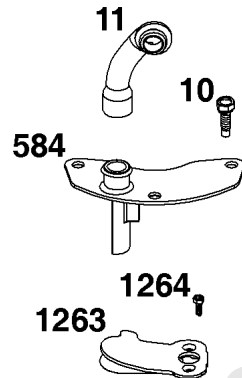
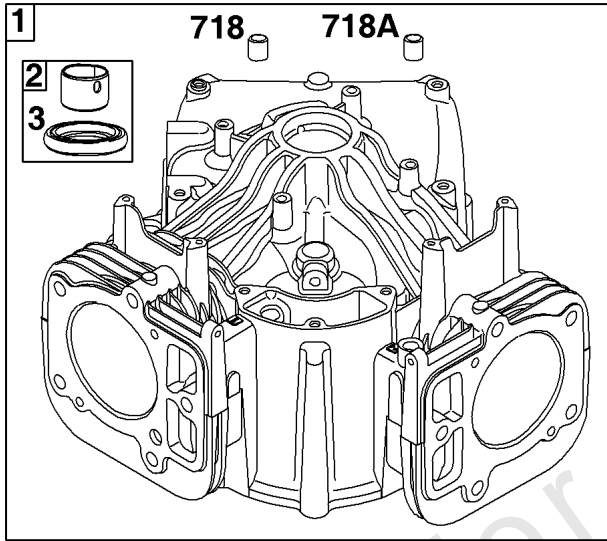
## Controls Group

REF NO	PART NO	QTY	DESCRIPTION
188	691108		SCREW -(Control Bracket)
212	792265		LINK, Throttle
212A	699805		LINK, Throttle
213	799510		BRACKET, Choke Control
216	691022		LINK, Choke
222	798916		BRACKET, Control
227	798856		LEVER, Governor Control
232	795915		SPRING, Governor Link
265	691024		CLAMP, Casing
267	792629		SCREW -(Casing Clamp)
505	691029		NUT -(Governor Control Lever)
537	594916		KIT, Governor/Idle Spring
562	690311		BOLT -(Governor Control Lever)
789	695050		HARNESS, Wiring
789A	595243		HARNESS, Wiring
929	691003		SCREW -(Choke Control Bracket)
929A	794904		SCREW -(Choke Control Bracket)



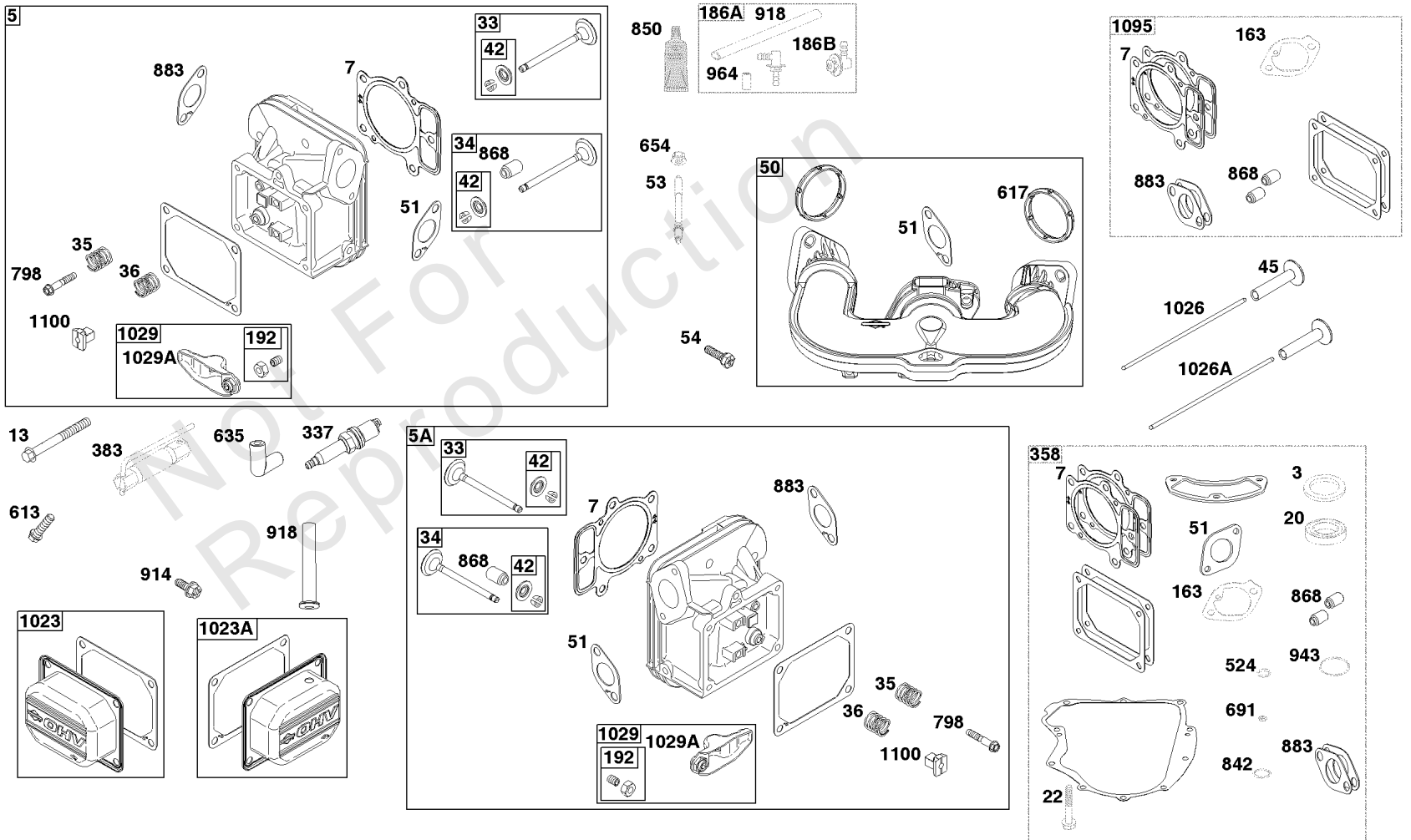
## Crankshaft Group

REF NO	PART NO	QTY	DESCRIPTION
16	595707	1	CRANKSHAFT
24	222698S	1	KEY, Flywheel
25	793647	2	PISTON ASSEMBLY -(Standard)
25	793648	2	PISTON ASSEMBLY -(.020" Oversize)
26	791787	2	SET, Ring -(Standard)
26	791792	2	SET, Ring -(.020" Oversize)
27	690975	2	LOCK, Piston Pin
28	593650	2	PIN, Piston
29	796209	2	ROD, Connecting
32	690976	4	SCREW -(Connecting Rod)
45	690977	4	TAPPET, Valve
46	797242	1	CAMSHAFT
377	690979	1	KEY, Woodruff
741	690980	1	GEAR, Timing



## Cylinder Group

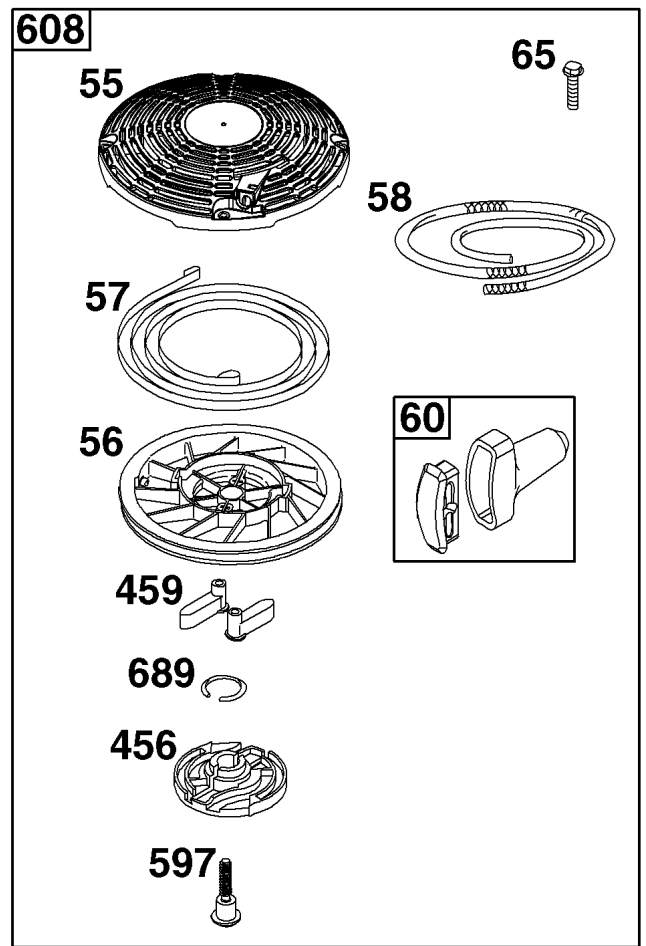
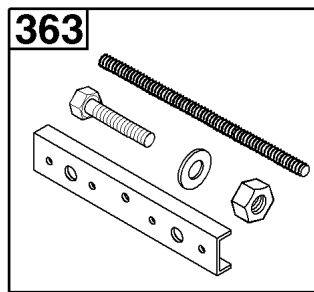
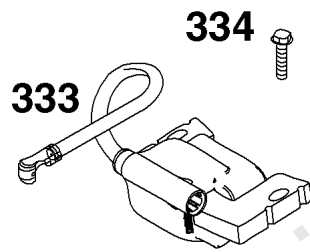
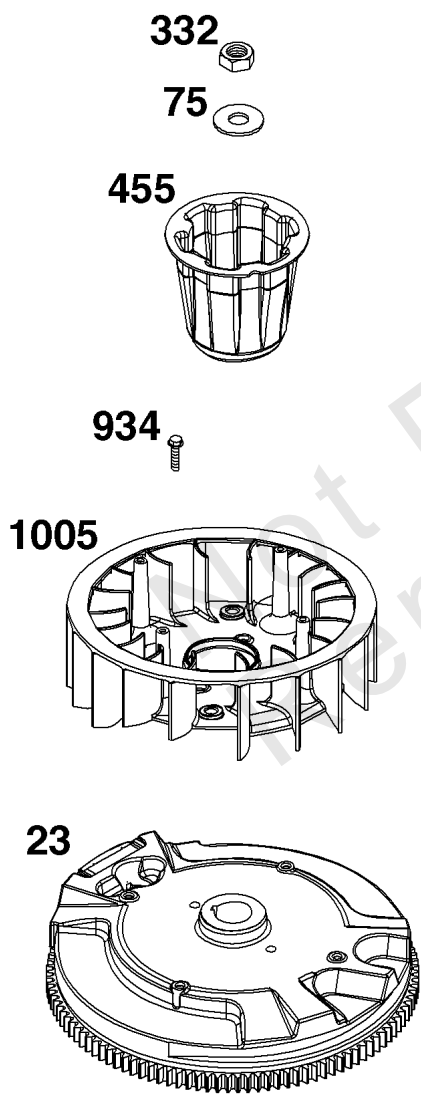
REF NO	PART NO	QTY	DESCRIPTION
1	594969		CYLINDER ASSEMBLY
2	797673		KIT, Bushing/Seal -(Magneto Side)
3	391086S		SEAL, Oil -(Magneto Side)
10	691108		SCREW -(Breather Assembly)
11	594163		TUBE, Breather
306	796852		SHIELD, Cylinder
306A	591666		SHIELD, Cylinder
307	691003		SCREW -(Cylinder Shield)
307A	691108		SCREW -(Cylinder Shield)
405	594937		SCREW -(Back Plate)
447	691003		SCREW -(Air Guide Cover)
540	594325		PLATE, Baffle
573	595758		PLATE, Back
584	594164		COVER, Breather Passage
618	594326		SCREW -(Baffle Plate)
718	690959		PIN, Locating
718A	594988		PIN, Locating
865	591667		COVER, Air Guide
1263	594166		REED, Breather
1264	594165		SCREW -(Breather Reed)





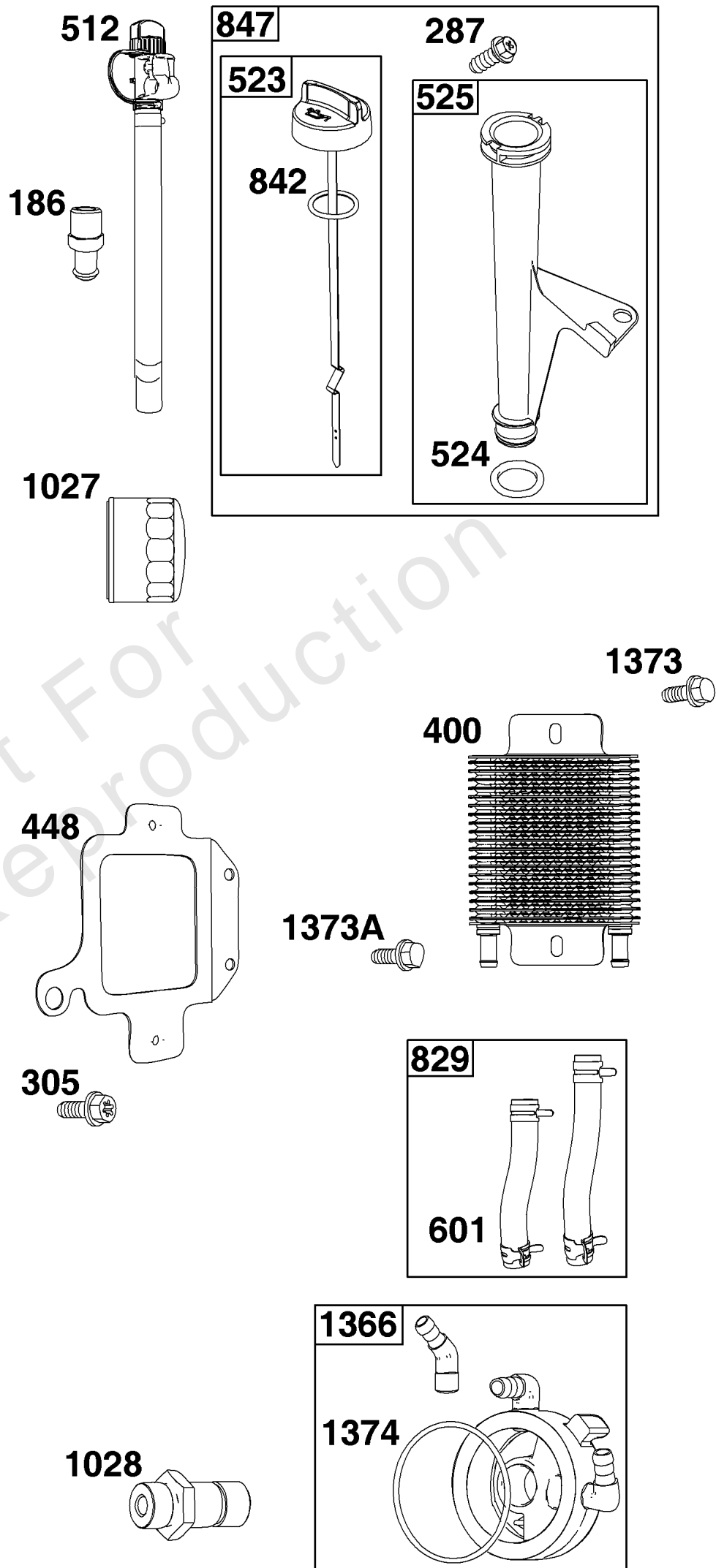
## Cylinder Head Group

REF NO	PART NO	QTY	DESCRIPTION
5	796231		HEAD, Cylinder
5A	796232		HEAD, Cylinder
7	693997		GASKET, Cylinder Head
13	592244		SCREW -(Cylinder Head)
33	697576		VALVE, Exhaust
34	792200		VALVE, Intake
35	694865		SPRING, Valve -(Intake)
36	694865		SPRING, Valve -(Exhaust)
42	499586		KEEPER, Valve
45	690977		TAPPET, Valve
50	594206		MANIFOLD, Intake
51	594204		GASKET, Intake
54	699816		SCREW -(Intake Manifold)
192	690083		ADJUSTER, Rocker Arm
337	491055S		PLUG, Spark
613	690341		SCREW -(Muffler)
617	594209		SEAL, O-Ring -(Intake Manifold)
635	692076		BOOT, Spark Plug
798	697890		SCREW -(Rocker Arm)
868	690968		SEAL, Valve
883	690970		GASKET, Exhaust
914	691127		SCREW -(Rocker Cover)
918	596163		HOSE, Vacuum -Used Before Code Date 19091800
918	593641		HOSE, Vacuum -Used After Code Date 19091700
1023	499600		COVER, Rocker
1023A	793146		COVER, Rocker
1026	690981		ROD, Push -(Steel)
1026A	690982		ROD, Push -(Aluminum)
1029	690972		ARM, Rocker
1029A	807323		ARM, Rocker
1100	791959		PIVOT, Rocker Arm



## ***Flywheel, Ignition, and Starter Group***

<b>REF NO</b>	<b>PART NO</b>	<b>QTY</b>	<b>DESCRIPTION</b>
23	594169	1	FLYWHEEL
55	595248	1	HOUSING, Rewind Starter
56	695129	1	PULLEY, Starter
57	695131	1	SPRING, Rewind Starter
58	695132	1	ROPE, Starter
60	595253	1	GRIP, Starter Rope
65	799360	4	SCREW -(Rewind Starter)
75	691056	1	WASHER -(Flywheel)
332	691059	1	NUT -(Flywheel)
333	592846	2	ARMATURE, Magneto
334	691061	4	SCREW -(Magneto Armature)
363	19621	1	PULLER, Flywheel
455	595143	1	CUP, Flywheel
456	695128	1	PLATE, Pawl Friction
459	281505S	1	PAWL, Ratchet
597	595247	1	SCREW -(Pawl Friction Plate)
608	595133	1	STARTER, Rewind
689	691855	1	SPRING, Friction
934	593638	4	SCREW -(Fan Retainer)
1005	593640	1	FAN, Flywheel



## Lubrication Group

REF NO	PART NO	QTY	DESCRIPTION
186	796532		CONNECTOR, Hose
287	697820		SCREW -(Dipstick Tube)
400	796862		COOLER, Oil
448	799103		BRACKET, Oil Cooler
512	594200		HOSE, Oil Drain
523	594528		DIPSTICK
524	691032		SEAL, O-Ring -(Dipstick Tube)
525	691037		TUBE, Dipstick
601	841597		CLAMP, Hose
829	799104		HOSE, Oil Cooler
829	799104		HOSE, Oil Cooler
842	691031		SEAL, O-Ring -(Dipstick Cap)
847	594609		SCREW, Dipstick tube
1027	696854		FILTER, Oil
1028	796864		ADAPTER, Oil Filter
1366	799131		DIVERTER, Oil Cooler
1373	695629		SCREW -(Oil Cooler Bracket)
1374	796863		SEAL, O-Ring -(Oil Cooler Diverter)
1373A	799105		SCREW -(Oil Cooler Bracket)

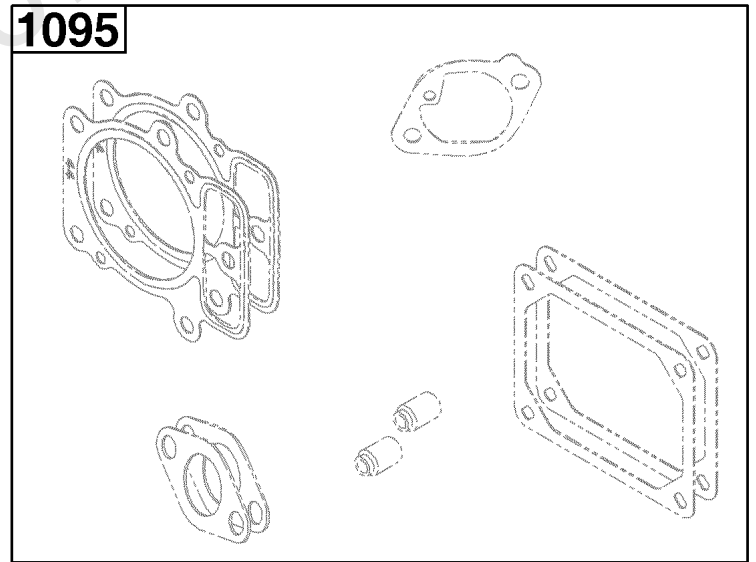
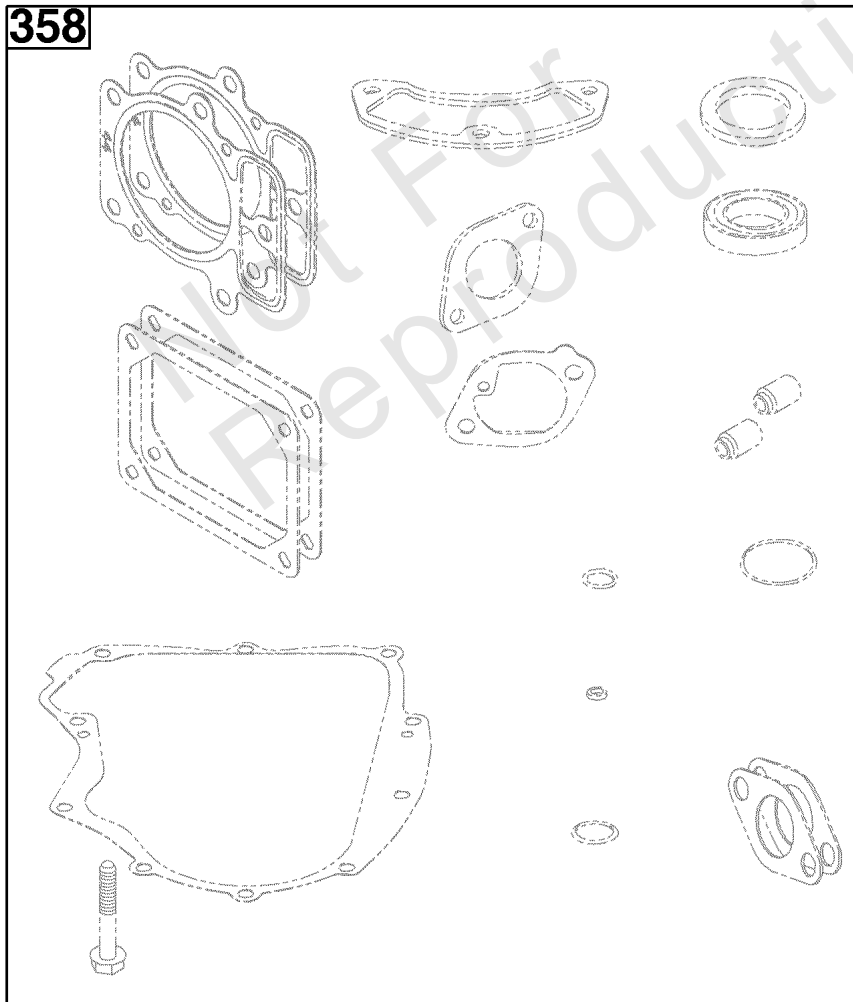
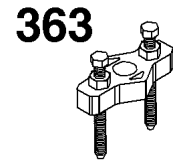
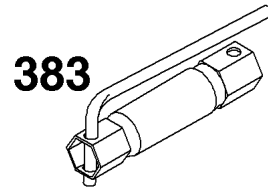
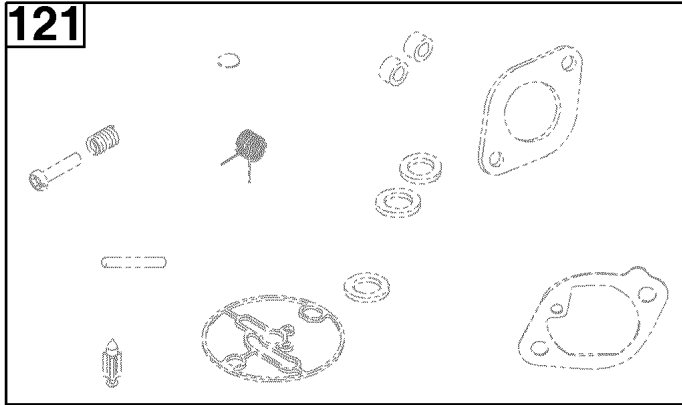
## Replacement Engine - US & Canada

---

REF NO	PART NO	QTY	DESCRIPTION
	40T8760009G1	1	Replacement Engine
	797093	1	Replacement Short Block
	-----		Top No-Load Speed: 3400

---

Not For Reproduction

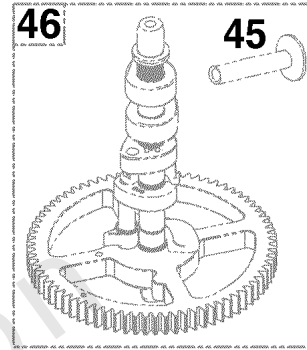
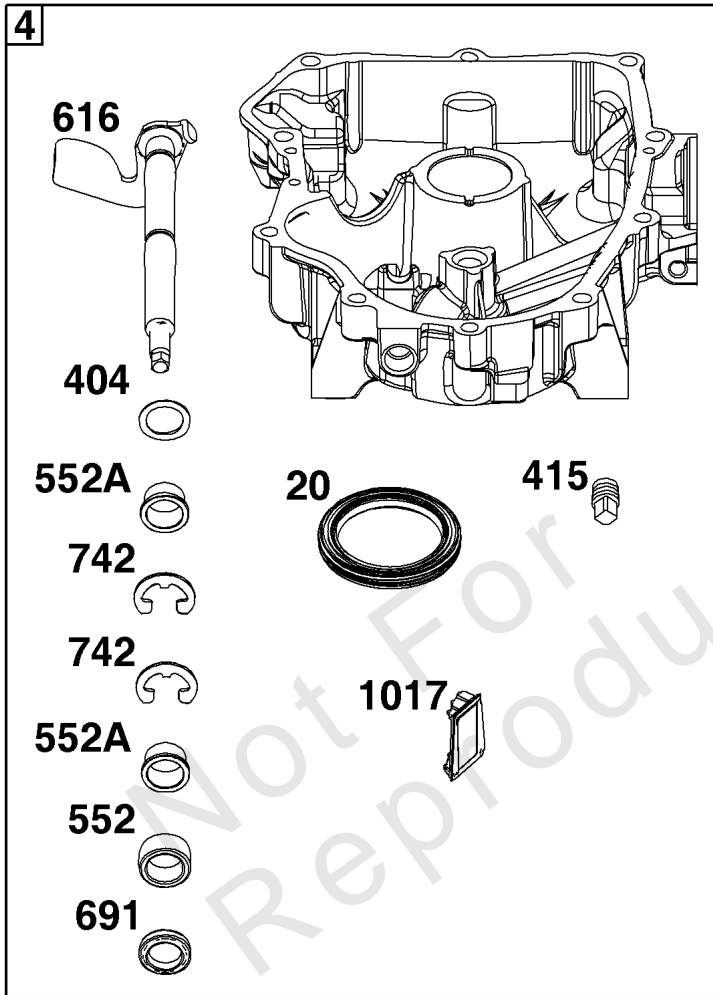


## ***Service Parts and Tools Group***

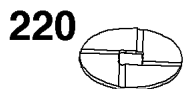
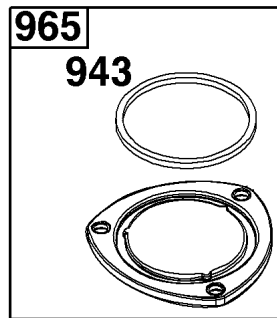
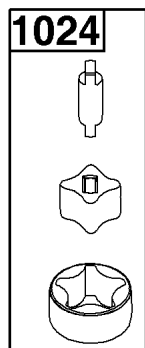
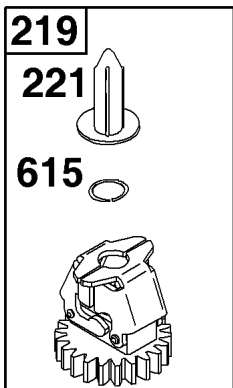
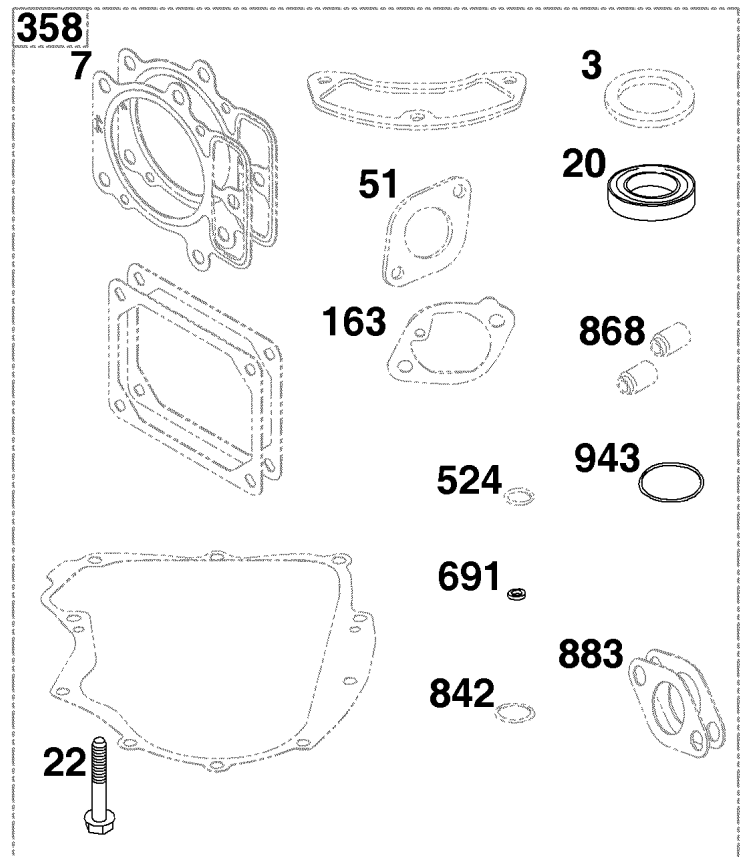
<b>REF NO</b>	<b>PART NO</b>	<b>QTY</b>	<b>DESCRIPTION</b>
121	594212		KIT, Carburetor Overhaul -(Service Kits may include extra parts not specific to this engine.)
358	594213		GASKET SET, Engine -(Service Kits may include extra parts not specific to this engine.)
363	19203		PULLER, Flywheel
383	19576S		WRENCH, Spark Plug
850	100106		SEALANT, Liquid
1095	594214		GASKET SET, Valve -(Service Kits may include extra parts not specific to this engine.)

Not For Reproduction





718  
718A



## Sump Group

REF NO	PART NO	QTY	DESCRIPTION
4	594973		SUMP, Engine
20	795387		SEAL, Oil -(PTO Side)
22	694966		SCREW -(Crankcase Cover/Sump)
219	793338		GEAR, Governor
220	799772		WASHER -(Governor Gear)
221	841026		CUP, Governor
404	690442		WASHER -(Governor Crank)
415	794903		PLUG
552	690553		BUSHING, Governor Crank
552A	796638		BUSHING, Governor Crank
615	698290		RETAINER, Governor Shaft
616	691045		CRANK, Governor
691	790574		SEAL, Governor Shaft
742	690328		RETAINER, E Ring
750	796208		SCREW -(Oil Pump Cover)
943	796222		SEAL, O-Ring -(Oil Pump Cover)
965	796221		COVER, Oil Pump
1017	796214		SCREEN, Oil Pump
1024	796220		PUMP, Oil

