



# Parts Manual

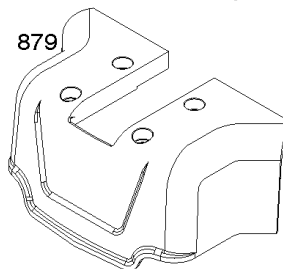
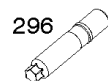
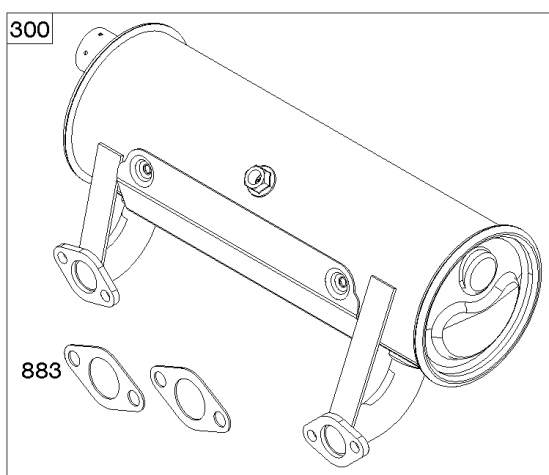
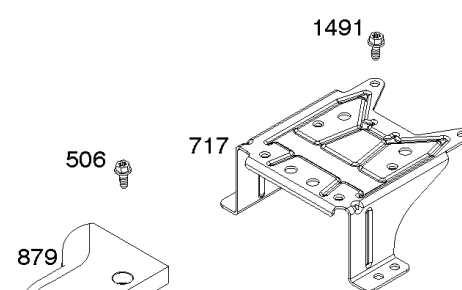
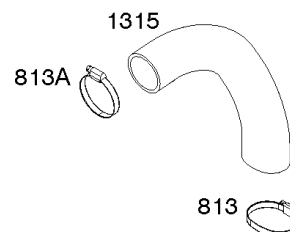
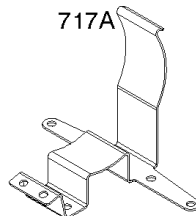
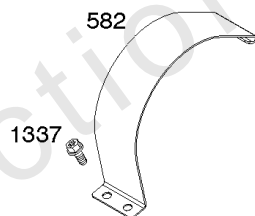
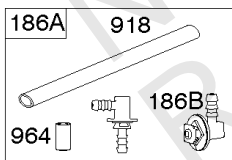
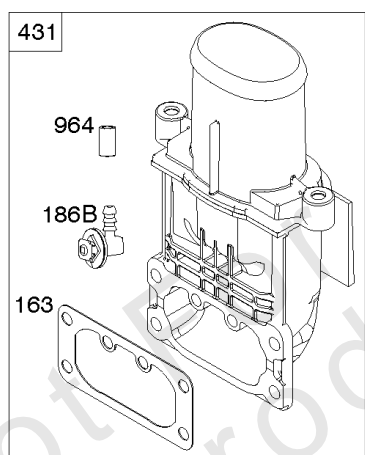
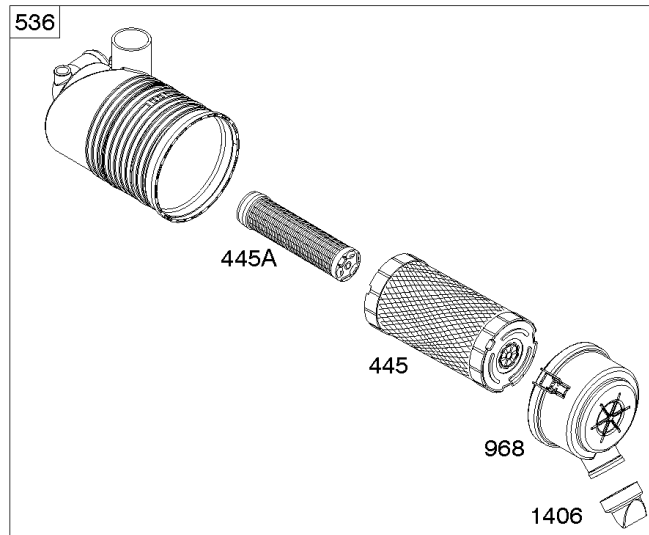
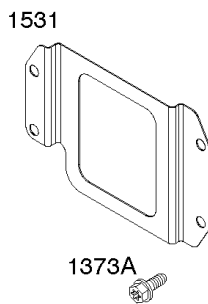
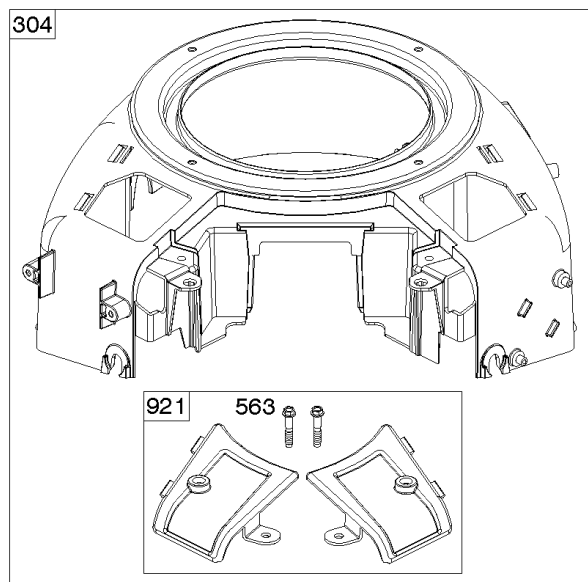
Mfg. No: 49E877-0005-G1



---

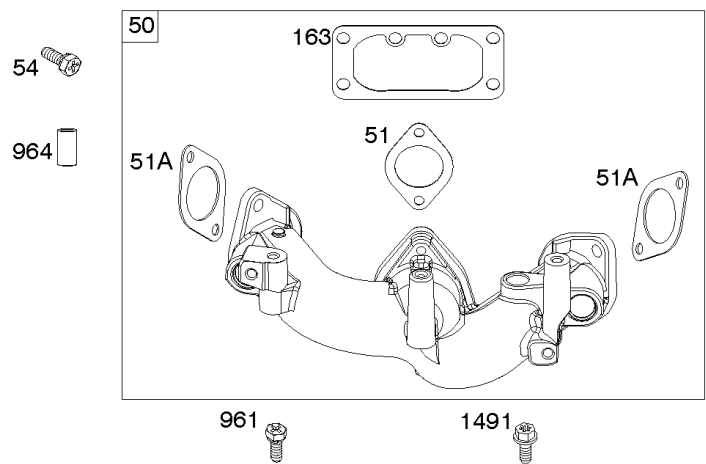
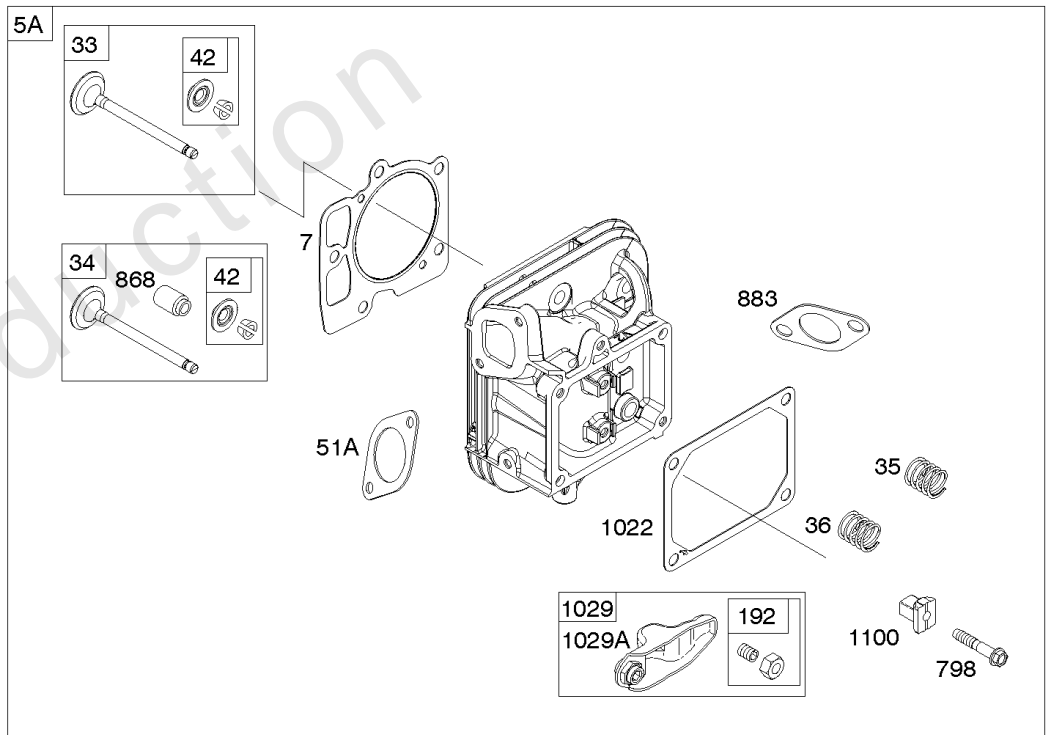
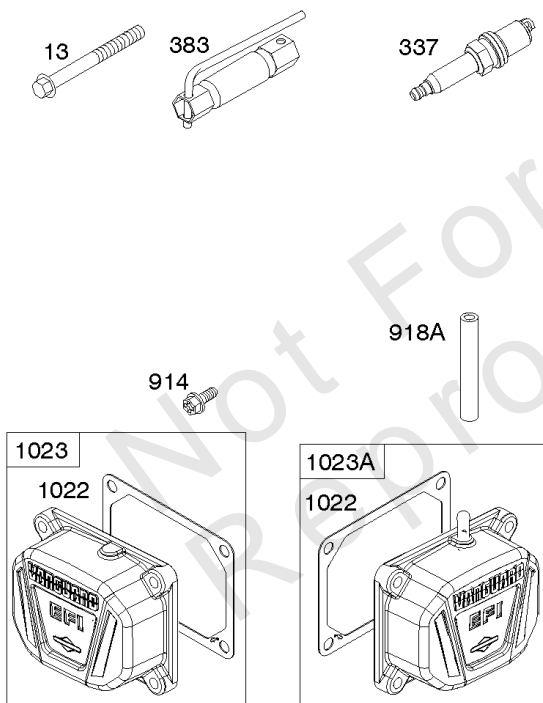
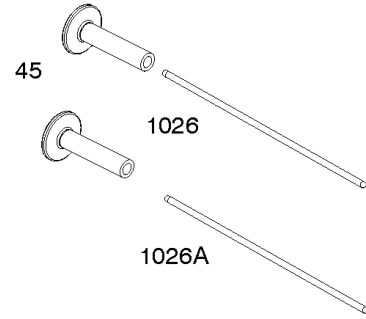
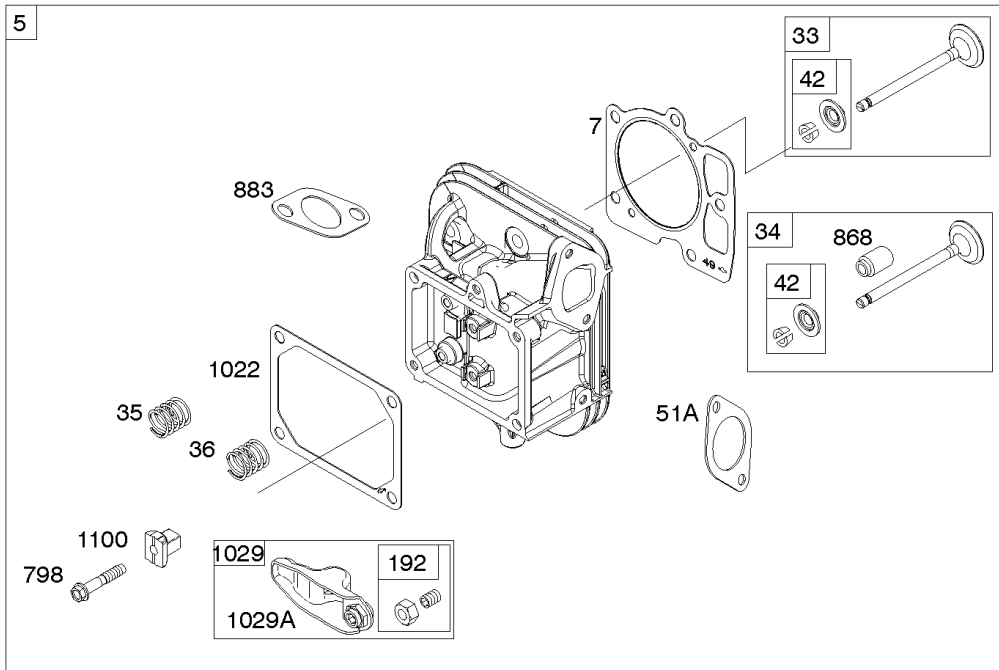
<b>Model Components</b>	<b>Page</b>
Blower Housing, Air Cleaner, Muffler.....	4
Cylinder Head, Rocker Arm Cover, Intake Manifold.....	6
Cylinder, Crankshaft, Camshaft, Air Guides.....	8
Engine Gasket Kit, Valve Gasket Set.....	12
Engine Sump, Oil Pump, Oil Cooler Assembly.....	14
Flywheel, Alternator, Starter.....	18
Oil Guard Tanks, Hoses.....	20
Replacement Engine - US & Canada.....	22
Throttle Body, Fuel Supply.....	23
Wire Harness, Electronic Control Module.....	25

Not For  
Reproduction



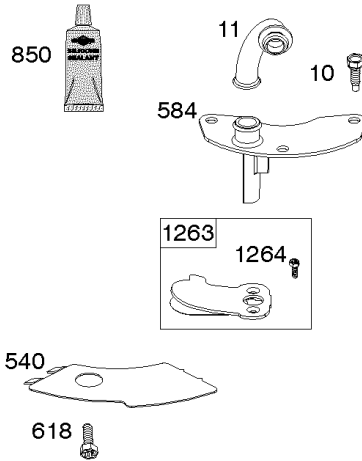
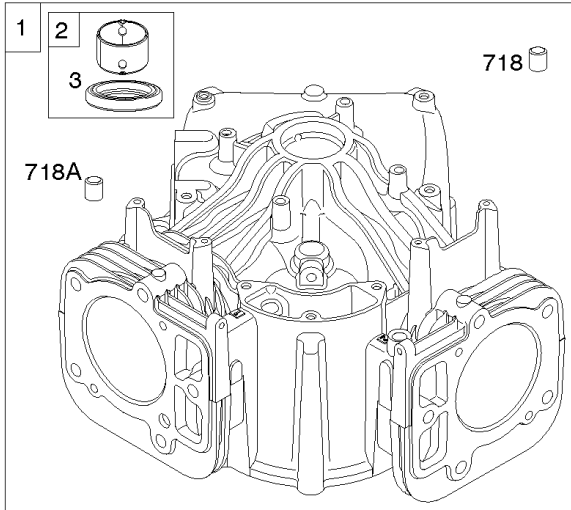
## Blower Housing, Air Cleaner, Muffler

REF NO	PART NO	QTY	DESCRIPTION
163	691001		GASKET, Air Cleaner
186A	799158		CONNECTOR, Hose -(EVAP)
186B	845141		CONNECTOR, Hose -(EVAP)
296	591756		STUD -(Muffler)
300	593876		MUFFLER
304	593622		HOUSING, Blower
305	594618		SCREW -(Blower Housing)
431	593630		ELBOW, Intake
445	841497		FILTER, A/C Cartridge
445A	821136		FILTER, A/C Cartridge
506	690297		SCREW -(Carburetor/EFI Cover)
536	593626		CLEANER, Air
563	698425		SCREW -(Debris Screen Guard)
582	593618		CLAMP, Air Cleaner
717	593619		BRACKET, Air Cleaner
717A	593620		BRACKET, Air Cleaner
740	690941		NUT -(Muffler Bracket)
813	593624		CLAMP
813A	593625		CLAMP
879	593621		COVER, Carburetor/EFI
883	594365		GASKET, Exhaust
918	799160		HOSE, Vacuum -(Length 9.4 Inches)
921	593629		COVER, Blower Housing
961	691108		SCREW -(Air Cleaner Bracket)
961A	593616		SCREW -(Air Cleaner Bracket)
961B	593617		SCREW -(Air Cleaner Bracket)
964	799159		CAP, Connector
968	593627		COVER, Air Cleaner
1315	593623		HOSE, Air Cleaner
1328	809907		CAP, A/C Rain
1337	593616		SCREW -(Air Cleaner Clamp)
1373A	799105		SCREW -(Oil Cooler Bracket)
1406	593628		VALVE, Debris
1425	845717		HOSE, Purge Line
1491	699816		SCREW -(Throttle Body)
1531	596071		COVER, Oil Cooler



## Cylinder Head, Rocker Arm Cover, Intake Manifold

REF NO	PART NO	QTY	DESCRIPTION
5	593838		HEAD, Cylinder -(Cylinder #1)
5A	593839		HEAD, Cylinder -(Cylinder #2)
7	593485		GASKET, Cylinder Head
13	592244		SCREW -(Cylinder Head)
33	593632		VALVE, Exhaust
34	793556		VALVE, Intake
35	694865		SPRING, Valve -(Intake)
36	694865		SPRING, Valve -(Exhaust)
42	499586		KEEPER, Valve
45	690977		TAPPET, Valve
50	593850		MANIFOLD, Intake
51	593849		GASKET, Intake
51A	593851		GASKET, Intake
54	699816		SCREW -(Intake Manifold)
163	691001		GASKET, Air Cleaner
192	690083		ADJUSTER, Rocker Arm
337	792015		PLUG, Spark
383	19576S		WRENCH, Spark Plug
798	697890		SCREW -(Rocker Arm)
868	690968		SEAL, Valve
883	594365		GASKET, Exhaust
914	593637		SCREW -(Rocker Cover)
918A	593641		HOSE, Vacuum -(2.9" Long)
961	691108		SCREW -(Air Cleaner Bracket)
964	799159		CAP, Connector
1022	690971		GASKET, Rocker Cover
1023	593854		COVER, Rocker -(Cylinder #1)
1023A	593855		COVER, Rocker -(Cylinder #2)
1026	690981		ROD, Push -(Steel)
1026A	690982		ROD, Push -(Aluminum)
1029	690972		ARM, Rocker
1029A	807323		ARM, Rocker
1100	791959		PIVOT, Rocker Arm
1491	699816		SCREW -(Throttle Body)



1319 WARNING LABEL

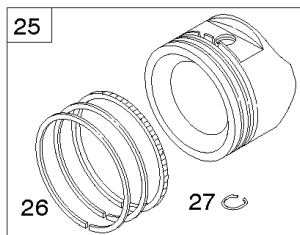
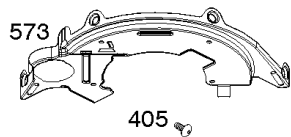
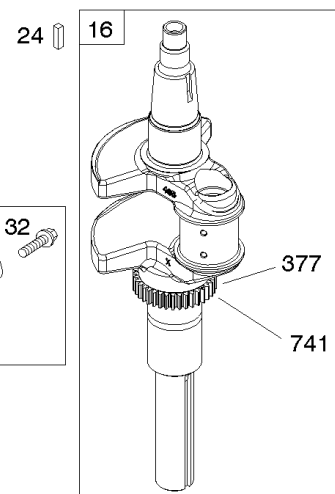
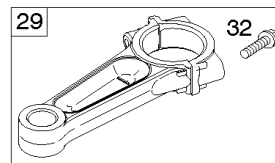
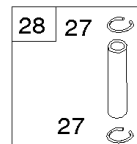
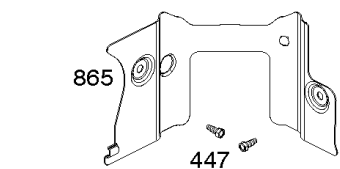
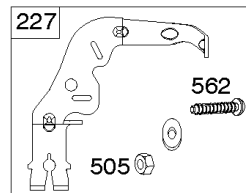
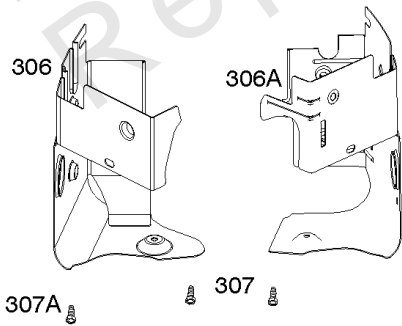
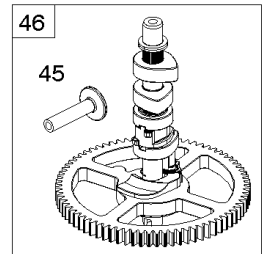
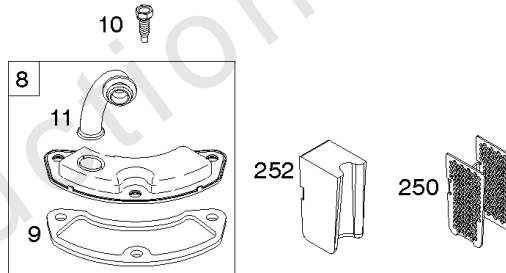
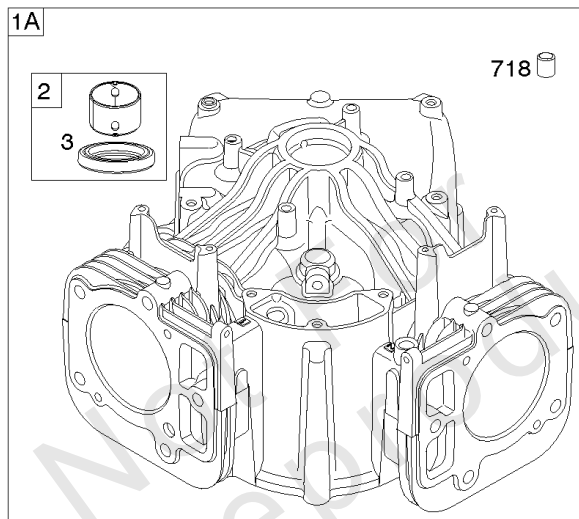
**WARNING**  
 Read and follow Operating Instructions before running engine.  
 Do not touch or breathe engine exhaust.  
 Do not touch or breathe engine exhaust.  
 Do not touch or breathe engine exhaust.  
 Do not touch or breathe engine exhaust.  
 Do not touch or breathe engine exhaust.  
 Do not touch or breathe engine exhaust.

**REQUIRED** when replacing parts with warning labels affixed.

1319A WARNING LABEL

**REQUIRED** when replacing parts with warning labels affixed.

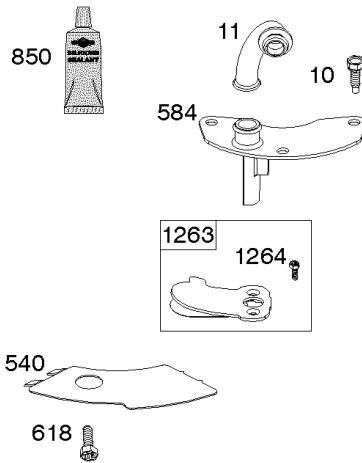
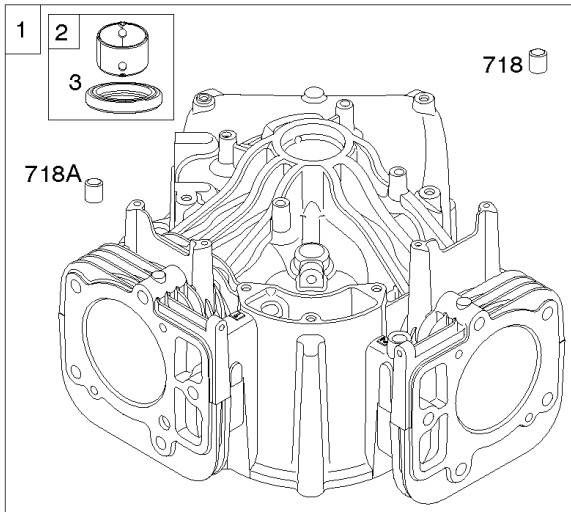
1036 EMISSIONS LABEL





## Cylinder, Crankshaft, Camshaft, Air Guides

REF NO	PART NO	QTY	DESCRIPTION
1	594938		CYLINDER ASSEMBLY -Used After Code Date 15111500
1A	593645		CYLINDER ASSEMBLY -Used Before Code Date 15111600
2	593660		KIT, Bushing/Seal -(Magneto Side)
3	593643		SEAL, Oil -(Magneto Side)
8	792185		BREATHER ASSEMBLY
9	690937		GASKET, Breather -Used Before Code Date 15112300
10	691108		SCREW -(Breather Assembly)
11	792184		TUBE, Breather -Used Before Code Date 15112300
11	594163		TUBE, Breather -Used After Code Date 15112200
16	593609		CRANKSHAFT
24	796335		KEY, Flywheel
25	593648		PISTON ASSEMBLY -(.020 Oversize)
25	593646		PISTON ASSEMBLY -(Standard)
26	593649		SET, Ring -(.020 Oversize)
26	593647		SET, Ring -(Standard)
27	690975		LOCK, Piston Pin
28	593650		PIN, Piston
29	593651		ROD, Connecting
32	690976		SCREW -(Connecting Rod)
45	690977		TAPPET, Valve
46	593841		CAMSHAFT
75	691056		WASHER -(Flywheel)
227	593857		LEVER, Governor Control
250	690957		RETAINER, Breather -Used Before Code Date 15112300
252	794389		COLLECTOR, Oil -Used Before Code Date 15112300
306	796852		SHIELD, Cylinder -(Cylinder #1) -Used Before Code Date 18100100
306	84002166		SHIELD, Cylinder -(Cylinder #1)   -Used After Code Date 18093000
306A	596065		SHIELD, Cylinder -(Cylinder #2)
307	691003		SCREW -(Cylinder Shield)
307A	691108		SCREW -(Cylinder Shield)
332	691059		NUT -(Flywheel)
377	690979		KEY, Woodruff
405	594937		SCREW -(Back Plate)



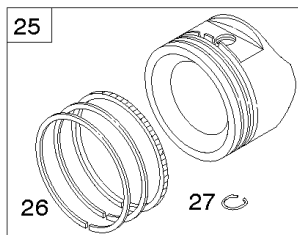
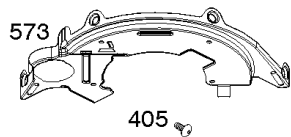
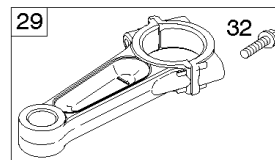
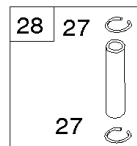
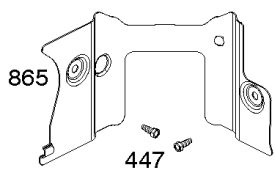
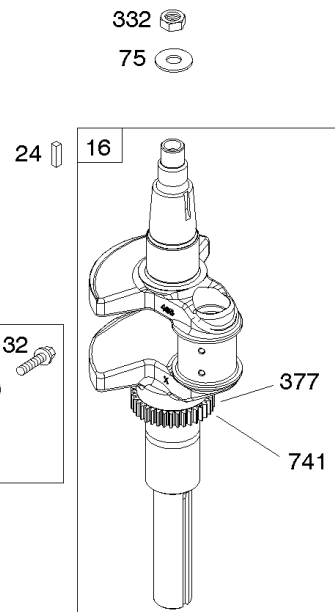
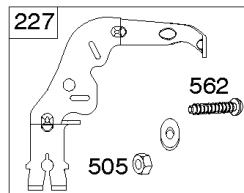
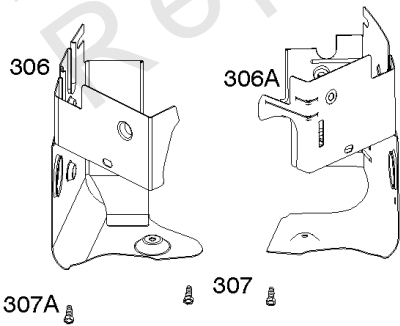
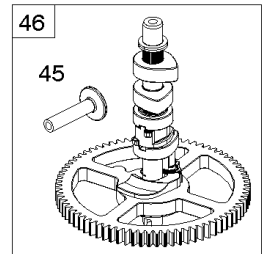
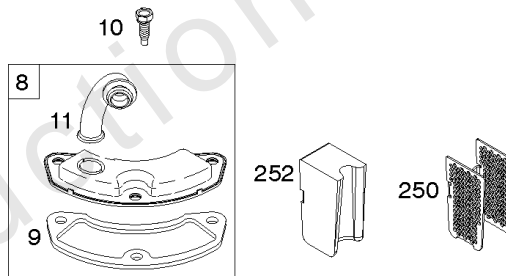
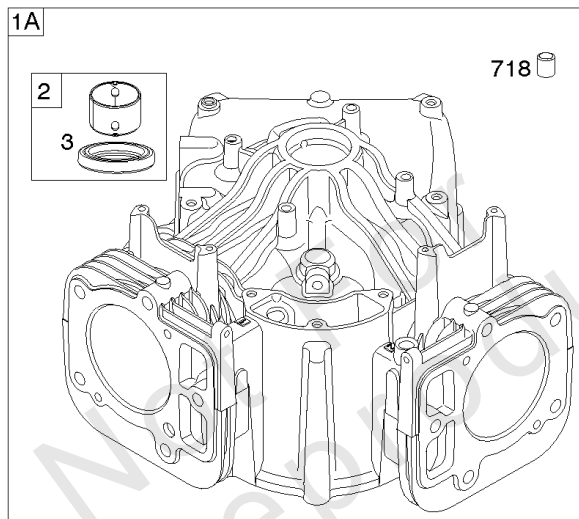
1319 WARNING LABEL

**REQUIRED** when replacing parts with warning labels affixed.

1319A WARNING LABEL

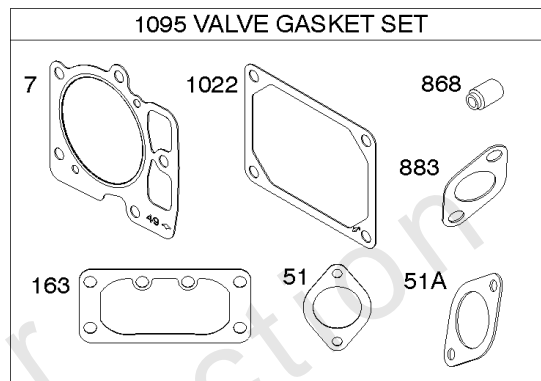
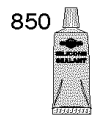
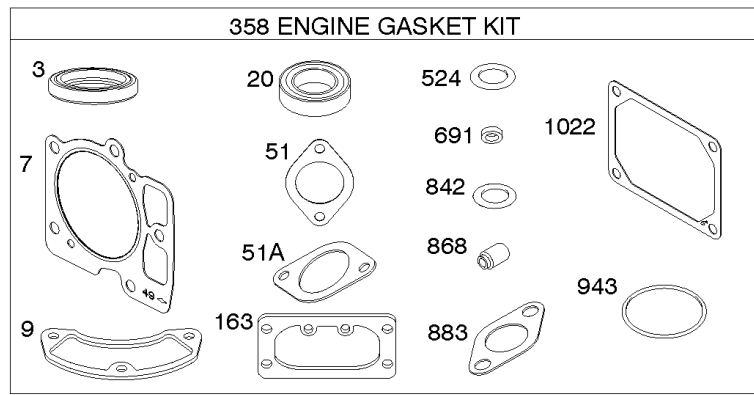
**REQUIRED** when replacing parts with warning labels affixed.

1036 EMISSIONS LABEL



## Cylinder, Crankshaft, Camshaft, Air Guides

REF NO	PART NO	QTY	DESCRIPTION
447	691003		SCREW -(Air Guide Cover)
505	691029		NUT -(Governor Control Lever)
540	594325		PLATE, Baffle
562	690311		BOLT -(Governor Control Lever)
573	594903		PLATE, Back
584	594164		COVER, Breather Passage
618	594326		SCREW -(Baffle Plate)
718	690959		PIN, Locating
718A	594988		PIN, Locating
741	690980		GEAR, Timing
850	100106		SEALANT, Liquid
865	591667		COVER, Air Guide -(Valley)
1036	-----		Label-Emissions -(Available From A Briggs & Stratton Authorized Dealer)
1263	594166		REED, Breather
1264	594165		SCREW -(Breather Reed)
1319	794467		LABEL, Warning
1319A	797669		LABEL, Warning



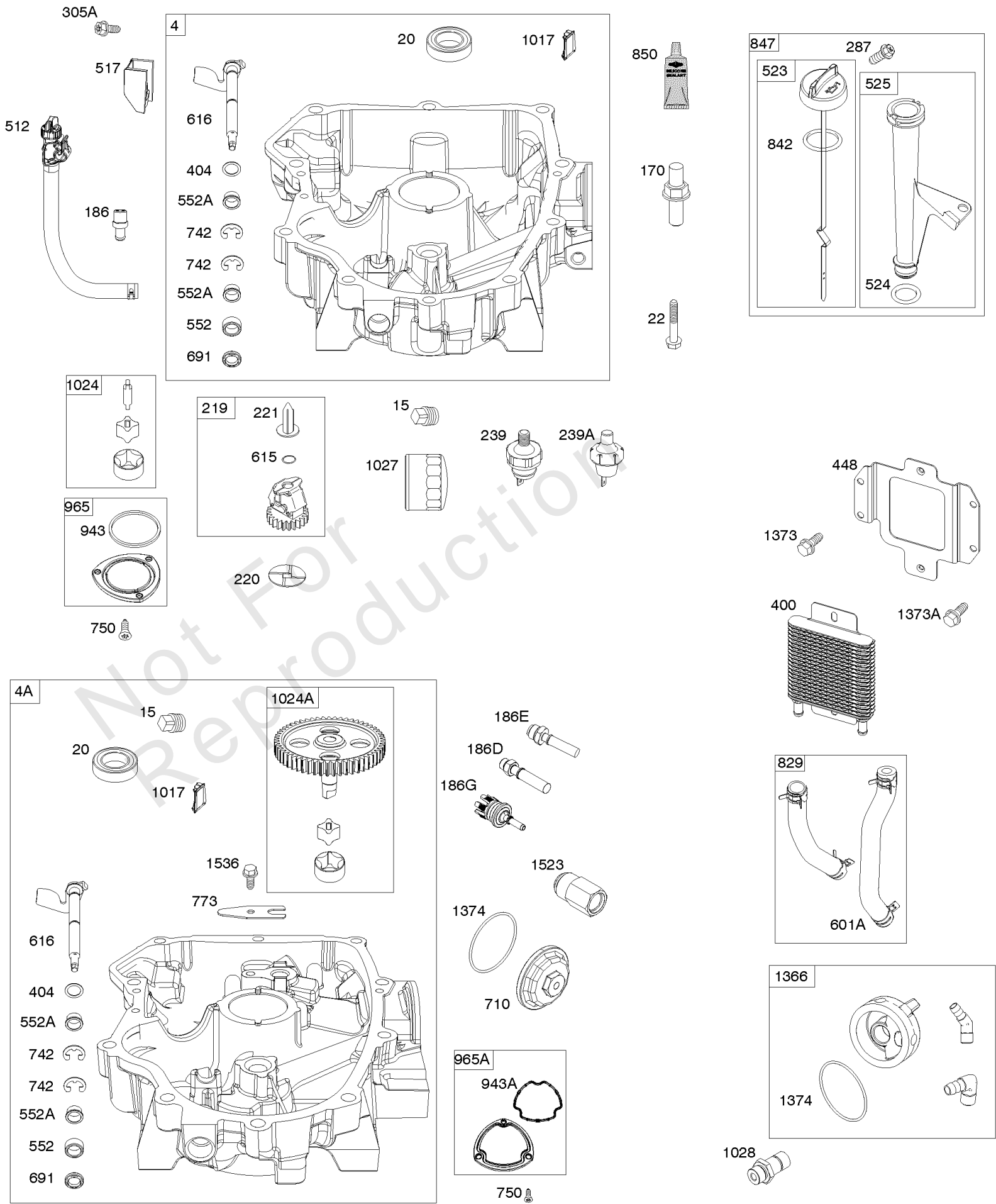
Not For  
Reproduction

## Engine Gasket Kit, Valve Gasket Set

REF NO	PART NO	QTY	DESCRIPTION
3	593643		SEAL, Oil -(Magneto Side)
7	593485		GASKET, Cylinder Head
9	690937		GASKET, Breather -Used Before Code Date 15112300
20	593644		SEAL, Oil -(PTO Side)
51	593849		GASKET, Intake
51A	593851		GASKET, Intake
163	691001		GASKET, Air Cleaner
358	593929		GASKET SET, Engine
524	691032		SEAL, O-Ring
691	790574		SEAL, Governor Shaft
842	691031		SEAL, O-Ring -(Dipstick Tube)
850	100106		SEALANT, Liquid
868	690968		SEAL, Valve
883	594365		GASKET, Exhaust
943	593642		SEAL, O-Ring -(Oil Pump Cover)
1022	690971		GASKET, Rocker Cover
1095	593928		GASKET SET, Valve

# Engine Sump, Oil Pump, Oil Cooler Assembly

Mfg. No: 49E877-0005-G1

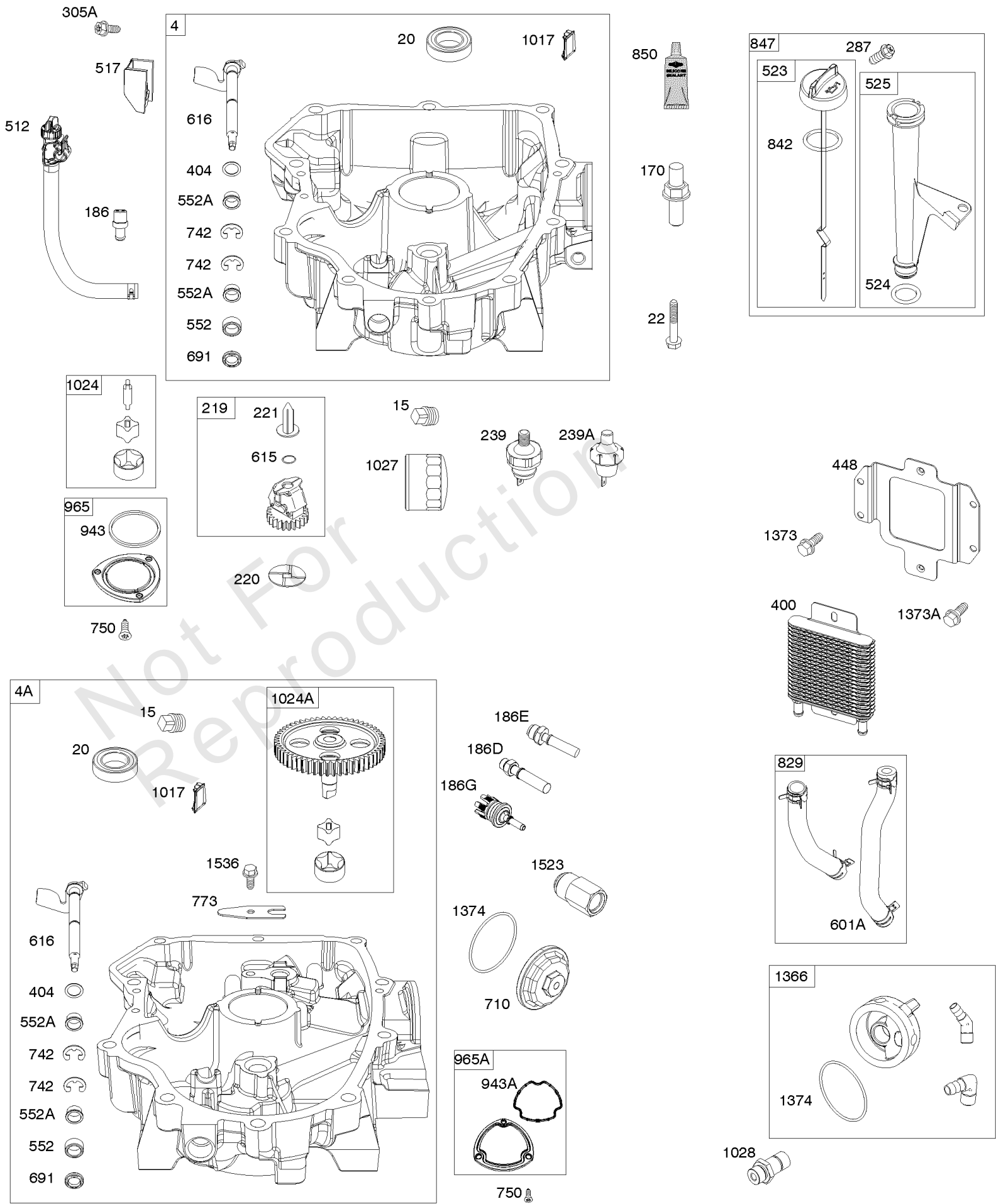


## Engine Sump, Oil Pump, Oil Cooler Assembly

REF NO	PART NO	QTY	DESCRIPTION
4	593652		SUMP, Engine
15	690946		PLUG, Oil Drain
20	593644		SEAL, Oil -(PTO Side)
22	694966		SCREW -(Crankcase Cover/Sump)
170	593903		STUD -(Crankcase Cover/Sump)
186	796532		CONNECTOR, Hose -(Oil Drain)
186D	847344		CONNECTOR, Hose -(Scavenge)
186E	847343		CONNECTOR, Hose -(Supply)
186G	595947		CONNECTOR, Hose -(Vent)
219	793338		GEAR, Governor
220	799772		WASHER -(Governor Gear)
221	841026		CUP, Governor
239	792028		SWITCH, Oil Pressure
287	697820		SCREW -(Dipstick Tube)
305A	593634		SCREW -(Blower Housing)
400	796862		COOLER, Oil
404	690442		WASHER -(Governor Crank)
448	593631		BRACKET, Oil Cooler
512	593635		HOSE, Oil Drain
517	593633		RETAINER, Oil Drain
523	594528		DIPSTICK
524	691032		SEAL, O-Ring
525	691037		TUBE, Dipstick
552	796638		BUSHING, Governor Crank
552A	690553		BUSHING, Governor Crank
601A	841597		CLAMP, Hose -(Oil Cooler Hose)
615	698290		RETAINER, Governor Shaft
616	691045		CRANK, Governor
691	790574		SEAL, Governor Shaft
710	595946		COVER, Oil Filter
742	690328		RETAINER, E Ring
750	796208		SCREW -(Oil Pump Cover)
773	596068		RETAINER
829	593845		HOSE, Oil Cooler -(Oil Cooler Hose)
842	691031		SEAL, O-Ring -(Dipstick Tube)
847	594609		SCREW, Dipstick tube
850	100106		SEALANT, Liquid
943	593642		SEAL, O-Ring -(Oil Pump Cover)
965	796221		COVER, Oil Pump
1017	796214		SCREEN, Oil Pump

# Engine Sump, Oil Pump, Oil Cooler Assembly

Mfg. No: 49E877-0005-G1

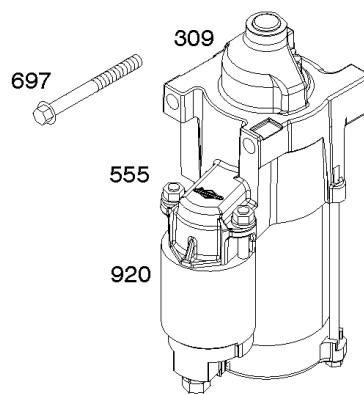
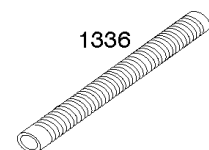
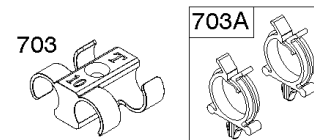
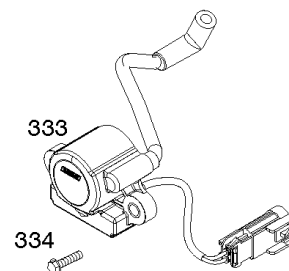
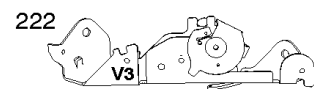
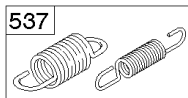
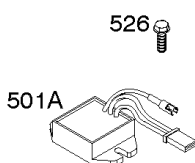
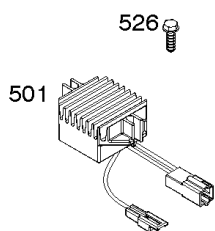
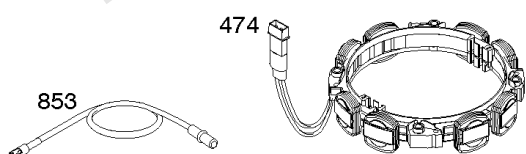
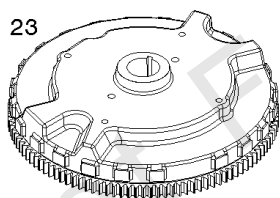
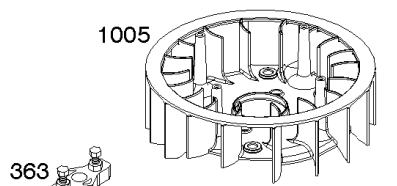
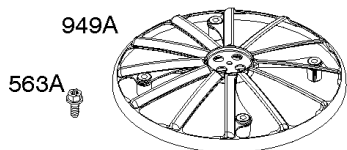
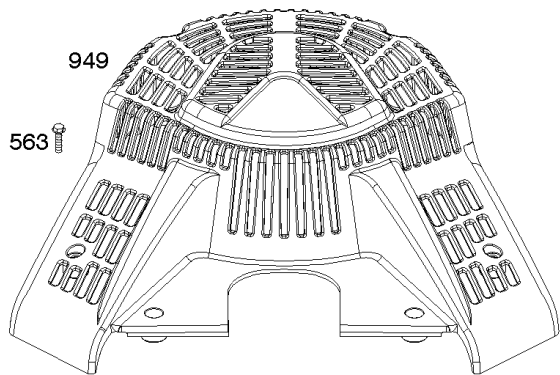




## Engine Sump, Oil Pump, Oil Cooler Assembly

REF NO	PART NO	QTY	DESCRIPTION
1024	796220		PUMP, Oil
1027	696854		FILTER, Oil
1028	796864		ADAPTER, Oil Filter
1366	799131		DIVERTER, Oil Cooler
1373	695629		SCREW -(Oil Cooler Bracket)
1373A	799105		SCREW -(Oil Cooler Bracket)
1374	796863		SEAL, O-Ring -(Oil Cooler Diverter)
1523	847341		VALVE, Check
1536	690810		SCREW -(Retainer)

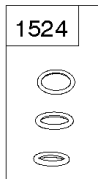
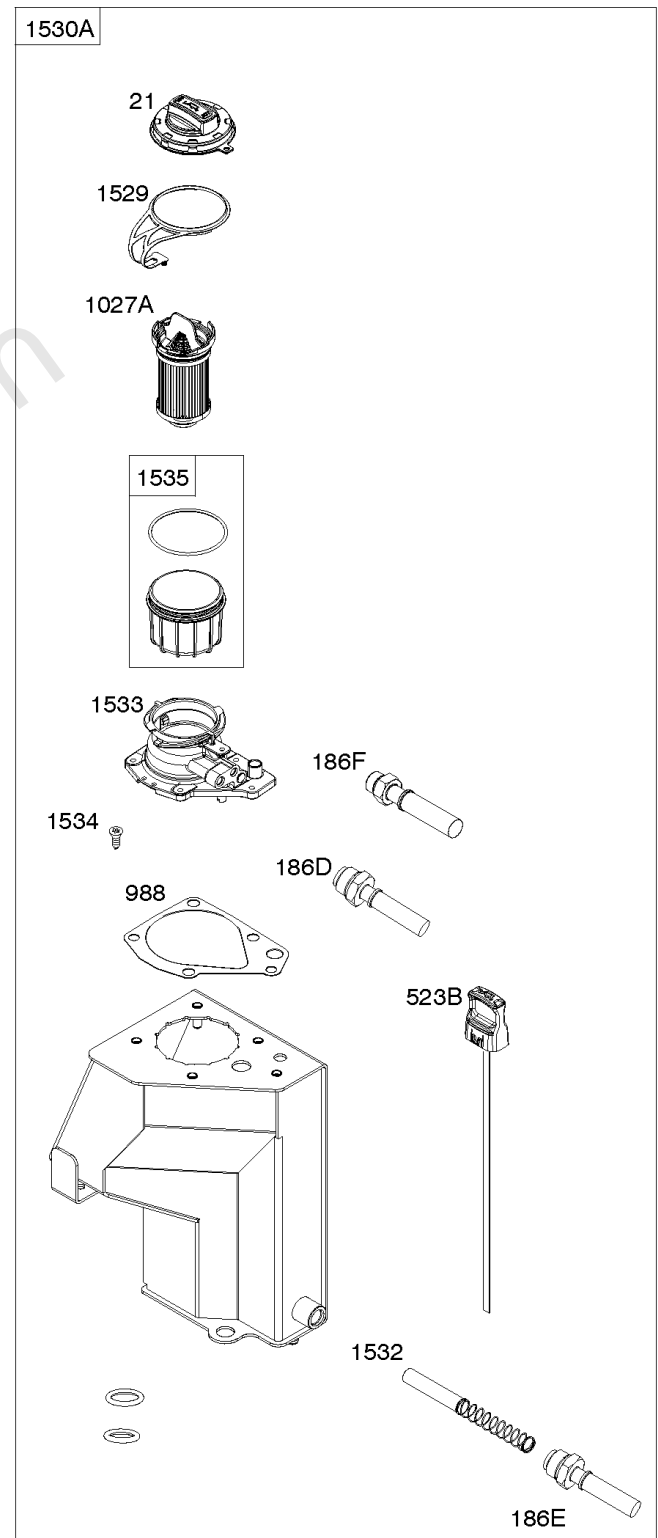
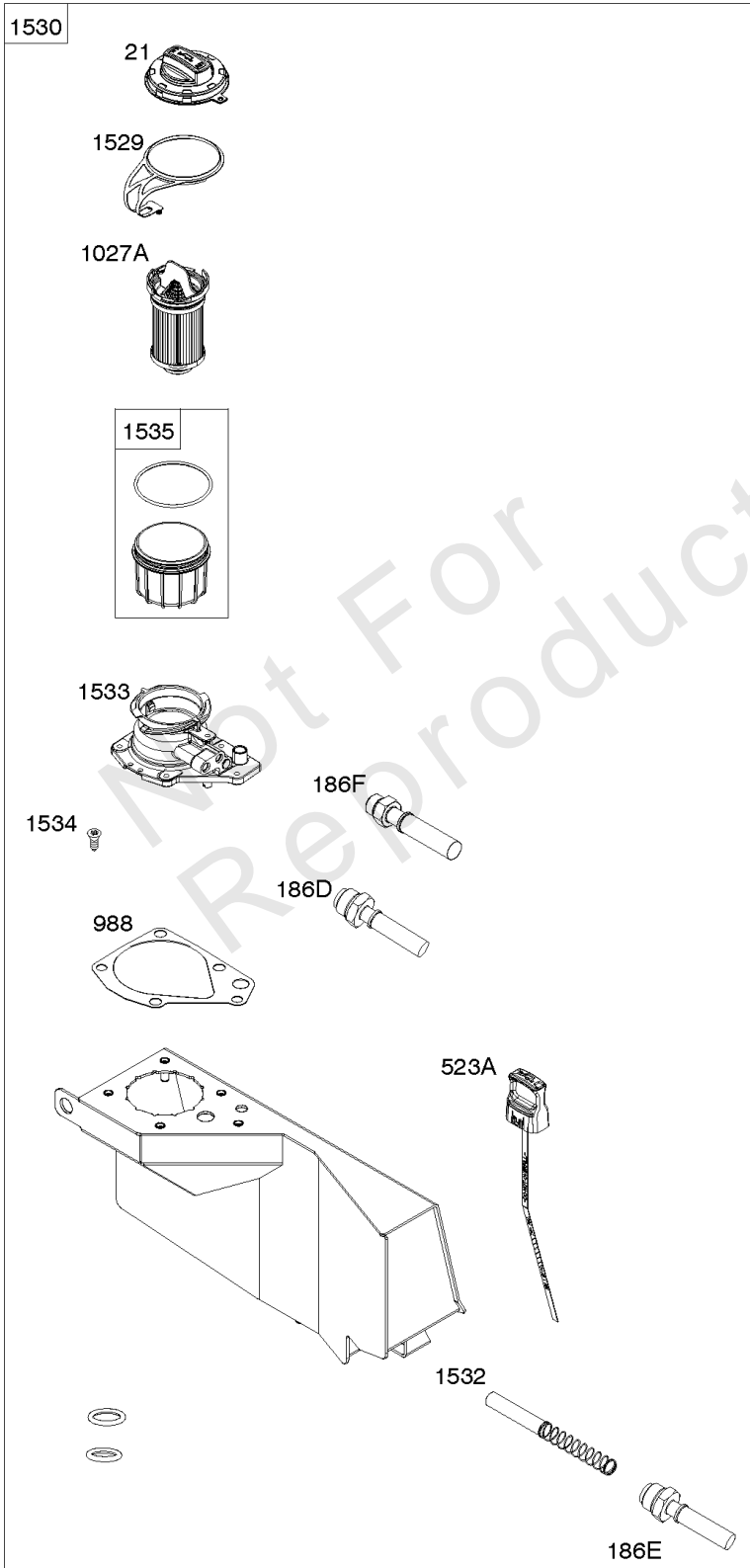
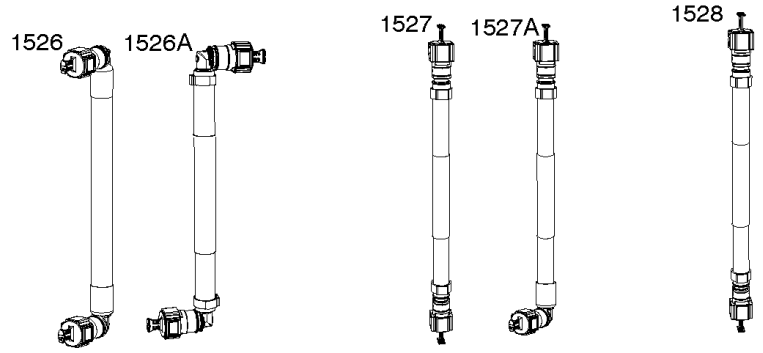
Not For Reproduction



No For  
Reproduction

## ***Flywheel, Alternator, Starter***

<b>REF NO</b>	<b>PART NO</b>	<b>QTY</b>	<b>DESCRIPTION</b>
23	593840		FLYWHEEL
75	691056		WASHER -(Flywheel)
188	691108		SCREW -(Control Bracket)
222	798916		BRACKET, Control
265	691024		CLAMP, Casing
267	792629		SCREW -(Casing Clamp)
309	593486		MOTOR, Starter
332	691059		NUT -(Flywheel)
333	593856		ARMATURE, Magneto
334	593848		SCREW -(Magneto Armature)
363	19621		PULLER, Flywheel
474	593844		ALTERNATOR -(20 AMP DC Regulated)
501	593843		REGULATOR
526	691092		SCREW -(Regulator)
537	594918		KIT, Governor/Idle Spring
555	593489		SCREW -(Starter Solenoid)
563	698425		SCREW -(Debris Screen Guard)
563A	799360		SCREW -(Debris Screen Guard)
697	593487		SCREW -(Starter Motor) (Drive Cap)
703	593863		CLIP
703A	593846		CLIP -(Fuel Pump)
853	593907		ADAPTER, Wire
920	593488		SOLENOID, Starter
949	593636		GUARD, Debris Screen
949A	593206		GUARD, Debris Screen
1005	593640		FAN, Flywheel
1070	593638		SCREW -(Flywheel Fan)
1119	691183		SCREW -(Alternator)
1336	841015		SHIELD, Wire Protective
1481	593853		LINK/SPRING ASSEMBLY



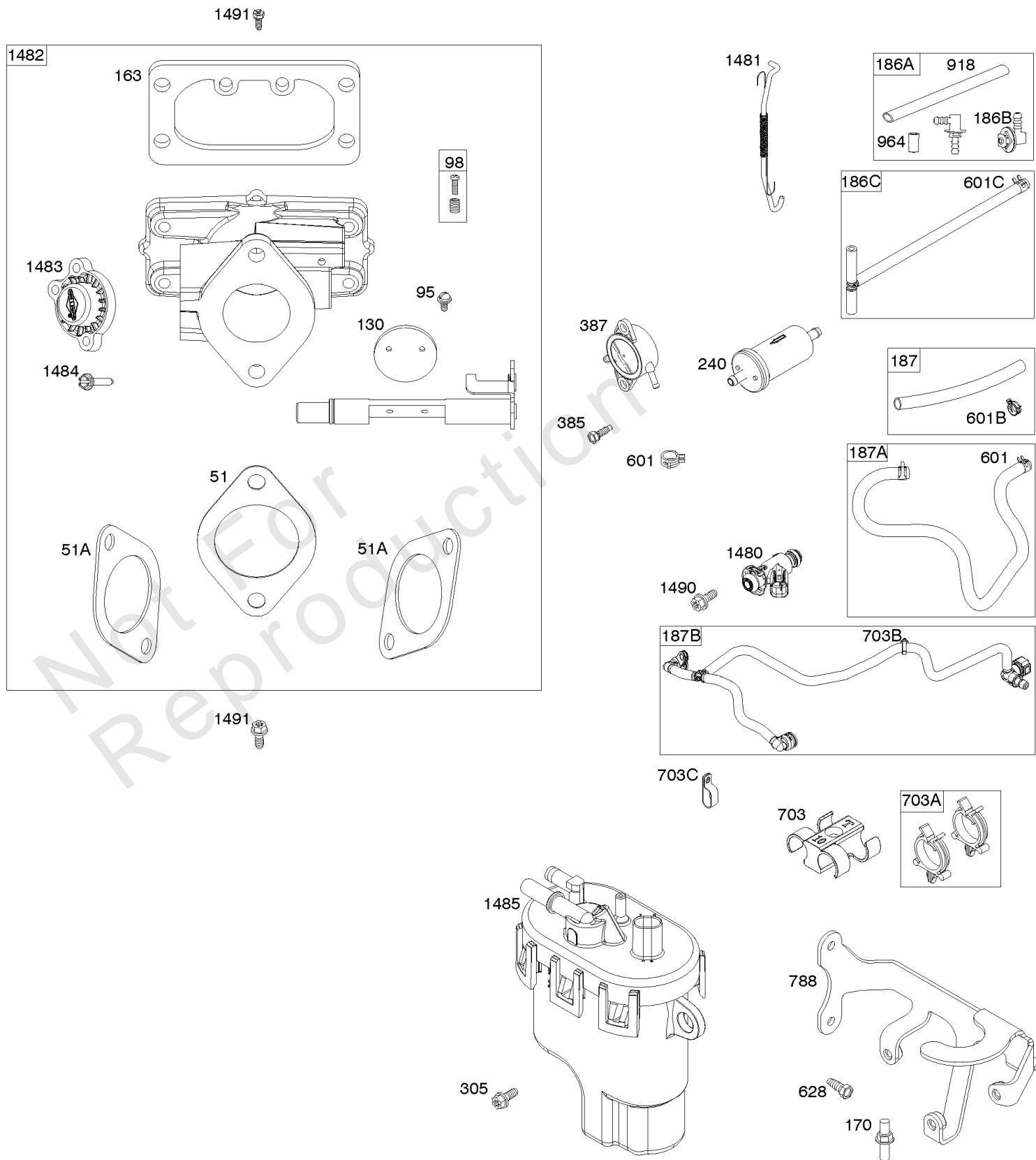
## Oil Guard Tanks, Hoses

REF NO	PART NO	QTY	DESCRIPTION
21	595931		CAP, Oil Fill
186D	847344		CONNECTOR, Hose -(Scavenge)
186E	847343		CONNECTOR, Hose -(Supply)
186F	847353		CONNECTOR, Hose -(Vent)
988	595936		GASKET, Oil Adapter
1524	847342		KIT, O-Ring
1526	595937		HOSE, Oil Supply -(302mm Long)
1526A	595938		HOSE, Oil Supply -(442mm Long)
1526A	847349		HOSE, Oil Supply -(338mm Long)
1527	595939		HOSE, Oil Scavenge -(820mm Long)
1527A	595940		HOSE, Oil Scavenge -(544mm Long)
1527A	595941		HOSE, Oil Scavenge -(643mm Long)
1528	595943		HOSE, Oil Vent -(1018mm Long)
1528	595942		HOSE, Oil Vent -(671mm Long)
1529	595932		TETHER
1530	595944		TANK, Oil -(Wide)(Mounting Grommets Available through OEM)
1530A	595945		TANK, Oil -(Tall)(Mounting Grommets Available through OEM)
1532	847398		SCREEN, Oil
1533	595986		HOUSING, Oil Filter
1534	593637		SCREW -(Oil Filter Housing)
1535	595987		CUP, Oil Filter

## Replacement Engine - US & Canada

REF NO	PART NO	QTY	DESCRIPTION
	49E8770005	1	Replacement Engine
	835183	1	Replacement Short Block
	-----		Top No-Load Speed: 3600 -Trim: G1
	-----		Service Note: Transfer Muffler and/or Spark Arrester Assembly from the original engine if suitable for additional service or add new parts as required

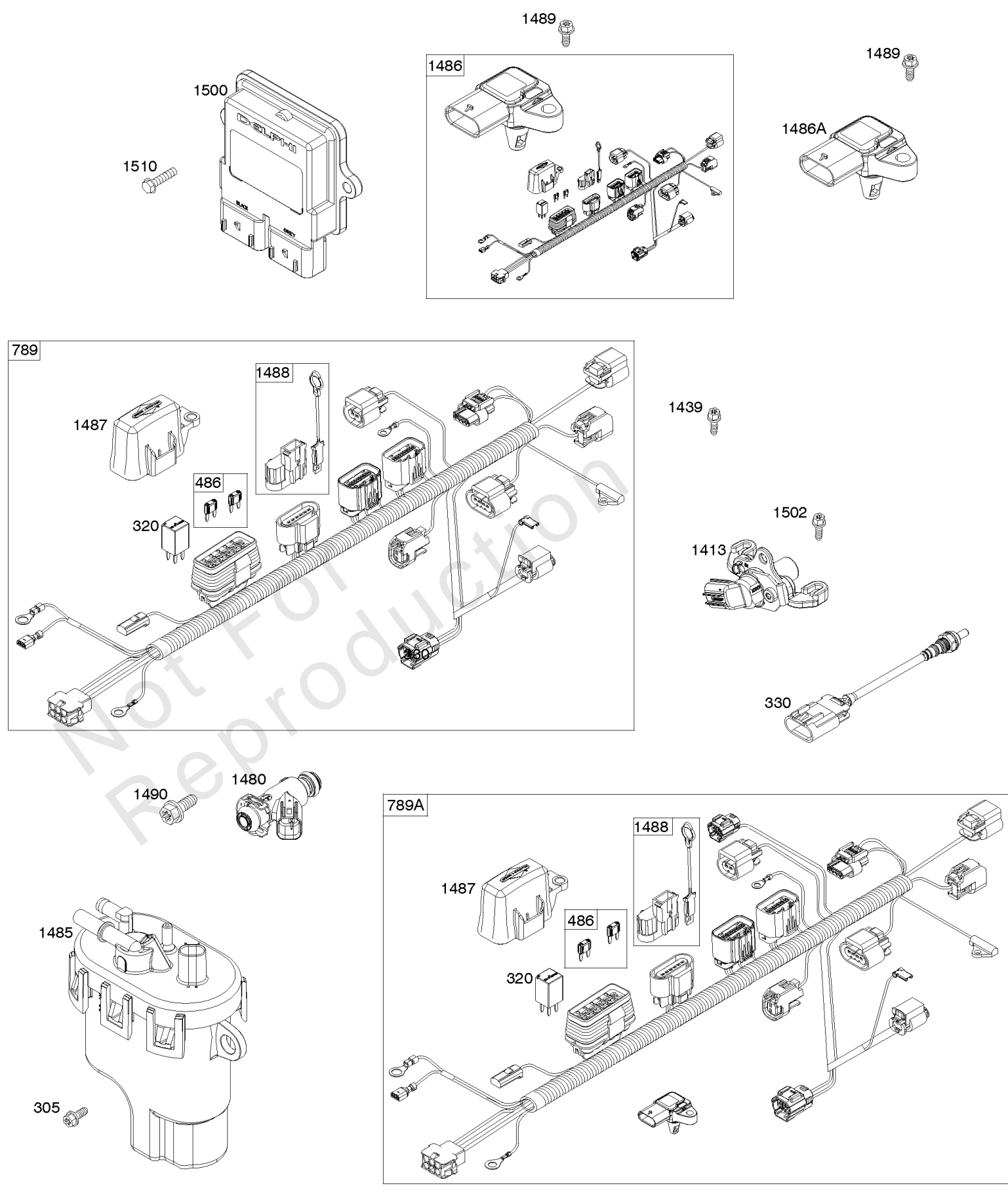
Not For Reproduction



## Throttle Body, Fuel Supply

REF NO	PART NO	QTY	DESCRIPTION
51	593849		GASKET, Intake
51A	593851		GASKET, Intake
95	593897		SCREW -(Throttle Valve)
98	593893		KIT, Idle Speed
130	796875		VALVE, Throttle
163	691001		GASKET, Air Cleaner
170	593903		STUD -(Crankcase Cover/Sump)
186A	799158		CONNECTOR, Hose -(EVAP)
186B	845141		CONNECTOR, Hose -(EVAP)
186C	593880		CONNECTOR, Hose -(EVAP)
187	791766		LINE, Fuel -(15 Inches Long)(Cut to Required Length)
187A	593847		LINE, Fuel -(Formed Hose)
187B	593884		LINE, Fuel -(Formed Hose)
240	845125		FILTER, Fuel
305	594618		SCREW -(Blower Housing)
385	797409		SCREW -(Fuel Pump) (Fuel Pump Mounted To Blower Housing)
387	808656		PUMP, Fuel
601	691038		CLAMP, Hose -(Black)
601B	791850		CLAMP, Hose -(Green)
601C	593879		CLAMP, Hose -(Vent Tube) (Fuel Line)
628	691127		SCREW -(Fuel Pump Bracket)
703	593863		CLIP
703A	593846		CLIP -(Fuel Pump)
703B	593865		CLIP -(Fuel Line)
703C	594364		CLIP -(Fuel Line)
788	593864		BRACKET, Fuel Pump
918	799160		HOSE, Vacuum -(Length 9.4 Inches)
964	799159		CAP, Connector
1480	593852		INJECTOR, Fuel
1481	593853		LINK/SPRING ASSEMBLY
1482	593886		BODY, Throttle
1483	593895		COVER, Dust
1484	593896		SCREW -(Dust Cover)
1485	593890		MODULE, Fuel
1490	691127		SCREW -(Fuel Injector)
1491	699816		SCREW -(Throttle Body)





## Wire Harness, Electronic Control Module

REF NO	PART NO	QTY	DESCRIPTION
305	594618		SCREW -(Blower Housing)
320	593902		RELAY(S)
330	593870		SENSOR, Oxygen
486	593901		FUSE
789	593866		HARNESS, Wiring -Used After Code Date 14052100
789A	593904		SENSOR, Temperature/Manifold Absolute Pressure (MAP) -Used Before Code Date 14052200
1413	593889		SENSOR, Speed
1439	592577		SCREW -(Thermistor Wire Assembly)
1480	593852		INJECTOR, Fuel
1485	593890		MODULE, Fuel
1486A	593905		SENSOR, Temperature/Manifold Absolute Pressure (MAP) -(Temperature/Manifold Air Pressure) -Used After Code Date 14052100
1486	593904		SENSOR, Temperature/Manifold Absolute Pressure (MAP) -(Temperature/Manifold Air Pressure) -Used Before Code Date 14052200
1487	593900		COVER, Fuse
1488	593899		COVER, Diagnostic
1489	691127		SCREW -(Temp/MAP Sensor)
1490	691127		SCREW -(Fuel Injector)
1500	593878		MODULE, Electronic Control -(Not Programmed)
1502	594363		SCREW -(Speed Sensor)
1510	593848		SCREW -(Electronic Control Module)

