



# Parts Manual

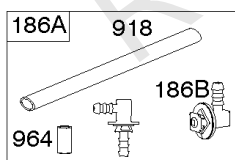
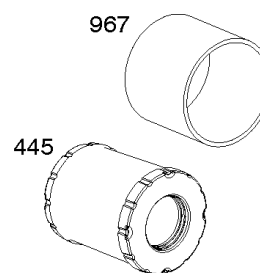
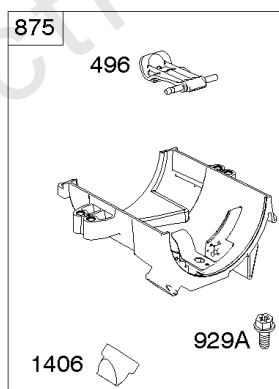
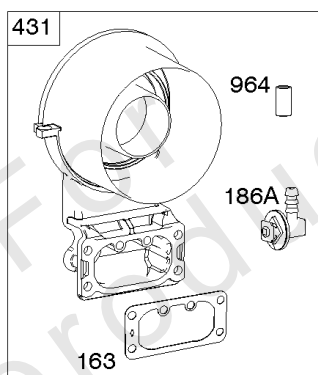
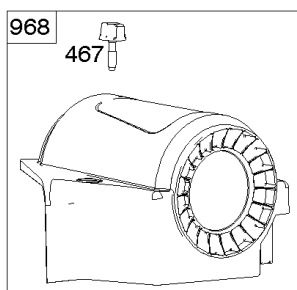
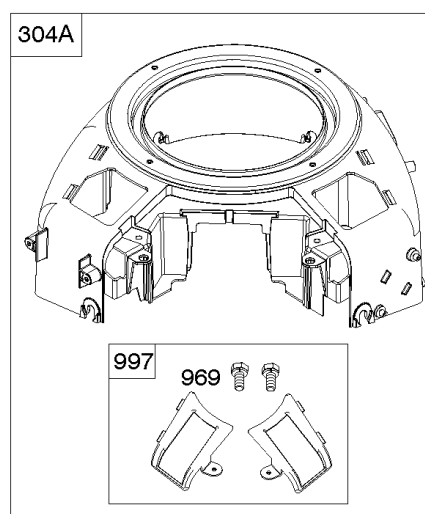
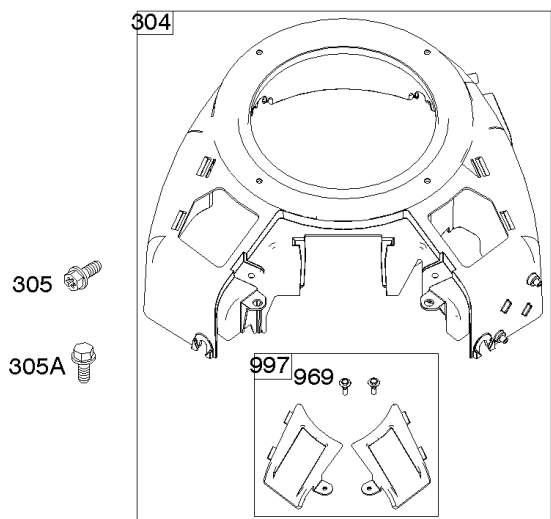
Mfg. No: 49T877-0015-G1



---

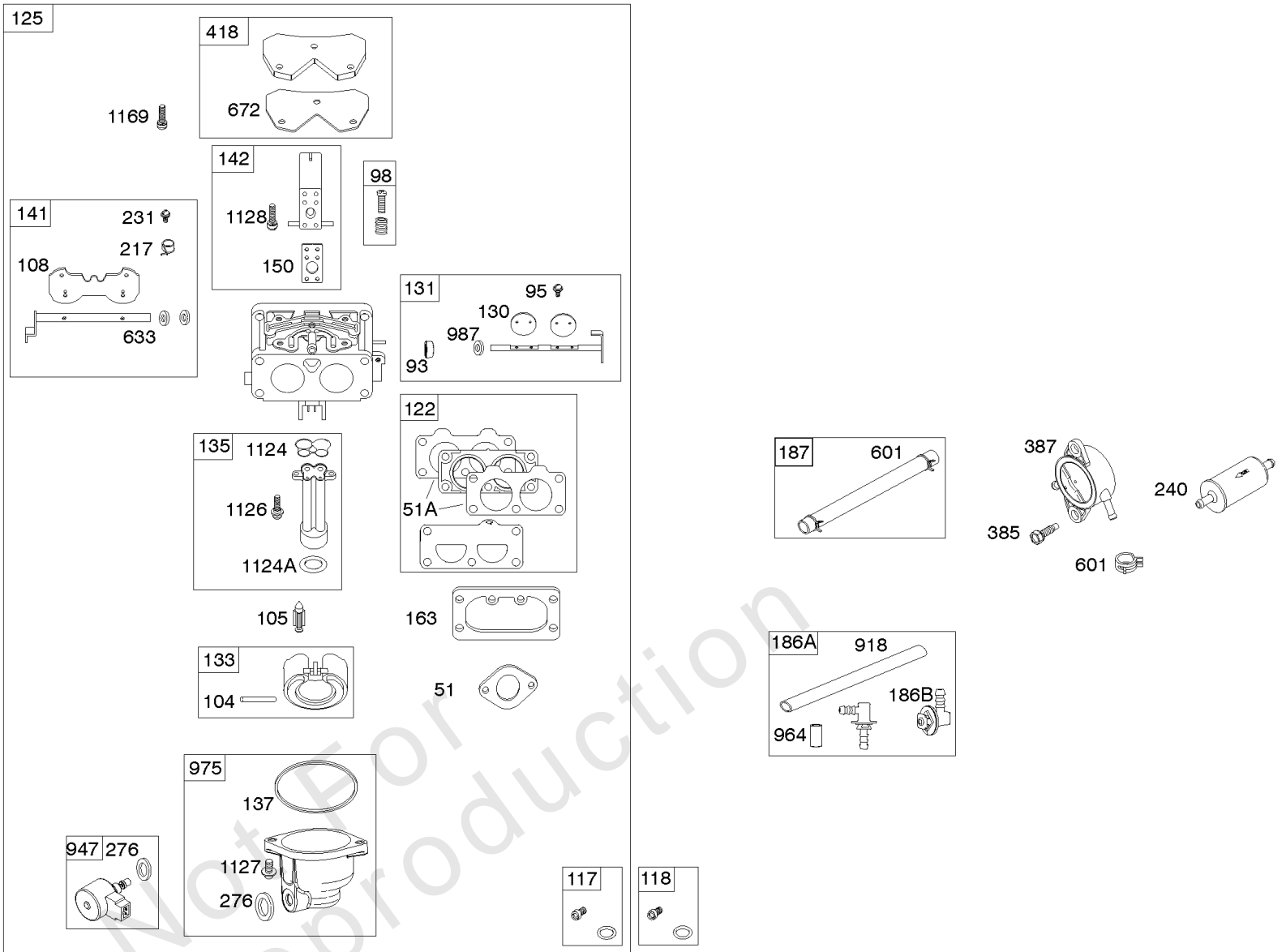
| <b>Model Components</b>                                    | <b>Page</b> |
|--|-------------|
| Blower Housing, Air Cleaner.....                           | 4           |
| Carburetor, Fuel Supply.....                               | 6           |
| Cylinder Head, Rocker Arm Cover, Intake Manifold.....      | 10          |
| Cylinder, Crankshaft, Camshaft, Air Guides.....            | 14          |
| Engine Sump, Lubrication, Oil Cooler.....                  | 18          |
| Engine/Valve Gasket Set, Carburetor Overhaul Kit.....      | 22          |
| Flywheel, Controls, Wire Harness, Alternator, Starter..... | 24          |
| Replacement Engine - US & Canada.....                      | 28          |

Not For  
Reproduction



## Blower Housing, Air Cleaner

| REF NO | PART NO | QTY | DESCRIPTION   |
|--------|---------|-----|---|
| 163    | 691001  |     | GASKET, Air Cleaner   |
| 186A   | 799158  |     | CONNECTOR, Hose<br>-(EVAP)                                    |
| 186B   | 845141  |     | CONNECTOR, Hose<br>-(EVAP)                                    |
| 296    | 591756  |     | STUD<br>-(Muffler)  |
| 304    | 799957  |     | HOUSING, Blower   |
| 305    | 594618  |     | SCREW<br>-(Blower Housing)                                    |
| 305A   | 557049  |     | SCREW<br>-(Blower Housing) Blower Housing To Air Cleaner Base |
| 411    | 698304  |     | SCREW<br>-(Air Cleaner Base to Air Cleaner Bracket)           |
| 431    | 799097  |     | ELBOW, Intake   |
| 445    | 798897  |     | FILTER, A/C Cartridge   |
| 467    | 790697  |     | KNOB, Air Cleaner Cover                                       |
| 496    | 799095  |     | LEVER, Air Cleaner Filter                                     |
| 875    | 799094  |     | BASE, Air Cleaner   |
| 918    | 799160  |     | HOSE, Vacuum  |
| 929A   | 794904  |     | SCREW<br>-(Choke Control Bracket)                             |
| 964    | 799159  |     | CAP, Connector  |
| 967    | 593217  |     | FILTER, Pre Cleaner   |
| 968    | 799102  |     | COVER, Air Cleaner  |
| 969    | 799093  |     | SCREW<br>-(Blower Housing Cover)                              |
| 997    | 592782  |     | COVER, Blower Housing   |
| 1406   | 799096  |     | VALVE, Debris   |



## Carburetor, Fuel Supply

| REF NO | PART NO | QTY | DESCRIPTION   |
|--------|---------|-----|---|
| 51     | 690949  |     | GASKET, Intake  |
| 51A    | 594427  |     | GASKET, Intake  |
| 93     | 845864  |     | BUSHING, Throttle Shaft                                     |
| 95     | 690718  |     | SCREW<br>-(Throttle Valve)                                  |
| 98     | 699721  |     | KIT, Idle Speed   |
| 104    | 694918  |     | PIN, Float Hinge  |
| 105    | 698537  |     | VALVE, Float Needle   |
| 108    | 699723  |     | VALVE, Choke  |
| 117    | 842082  |     | JET, Main<br>-(Standard)                                    |
| 118    | 842081  |     | JET, Main<br>-(High Altitude)                               |
| 122    | 798759  |     | SPACER, Carburetor  |
| 125    | 799511  |     | CARBURETOR  |
| 130    | 796875  |     | VALVE, Throttle   |
| 131    | 796872  |     | KIT, Throttle Shaft   |
| 133    | 699724  |     | FLOAT, Carburetor   |
| 135    | 699729  |     | TUBE, Fuel Transfer   |
| 137    | 690994  |     | GASKET, Float Bowl  |
| 141    | 799112  |     | KIT, Choke Shaft  |
| 142    | 796871  |     | NOZZLE, Carburetor  |
| 150    | 841649  |     | GASKET, Nozzle  |
| 163    | 691001  |     | GASKET, Air Cleaner   |
| 186A   | 799158  |     | CONNECTOR, Hose<br>-(EVAP)                                  |
| 186B   | 845141  |     | CONNECTOR, Hose<br>-(EVAP)                                  |
| 187    | 791766  |     | LINE, Fuel<br>-(Cut To Required Length)                     |
| 217    | 799771  |     | SPRING, Choke Return  |
| 231    | 690718  |     | SCREW<br>-(Choke Valve)                                     |
| 240    | 845125  |     | FILTER, Fuel  |
| 276    | 695410  |     | WASHER, Sealing   |
| 385    | 797409  |     | SCREW<br>-(Fuel Pump) (Fuel Pump Mounted To Blower Housing) |
| 387    | 808656  |     | PUMP, Fuel  |
| 418    | 795912  |     | PLATE, Carburetor Cover                                     |
| 601    | 691038  |     | CLAMP, Hose   |
| 633    | 690722  |     | SEAL, Choke/Throttle Shaft                                  |
| 672    | 690234  |     | GASKET, Carburetor Plate                                    |
| 918    | 799160  |     | HOSE, Vacuum  |
| 947    | 596039  |     | SOLENOID, Fuel  |
| 964    | 799159  |     | CAP, Connector  |
| 975    | 799114  |     | BOWL, Float   |
| 987    | 808183  |     | SEAL, Choke/Throttle Shaft                                  |
| 1124   | 690988  |     | SEAL, O-Ring<br>-(Fuel Transfer Tube)                       |
| 1124A  | 841653  |     | SEAL, O-Ring<br>-(Fuel Transfer Tube)                       |
| 1126   | 690991  |     | SCREW<br>-(Fuel Transfer Tube)                              |
| 1127   | 695407  |     | SCREW<br>-(Float Bowl) (Float Bowl to Carburetor Body)      |





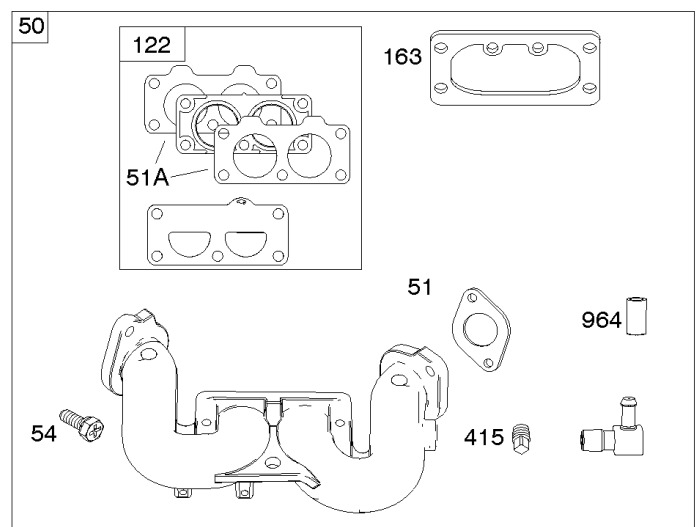
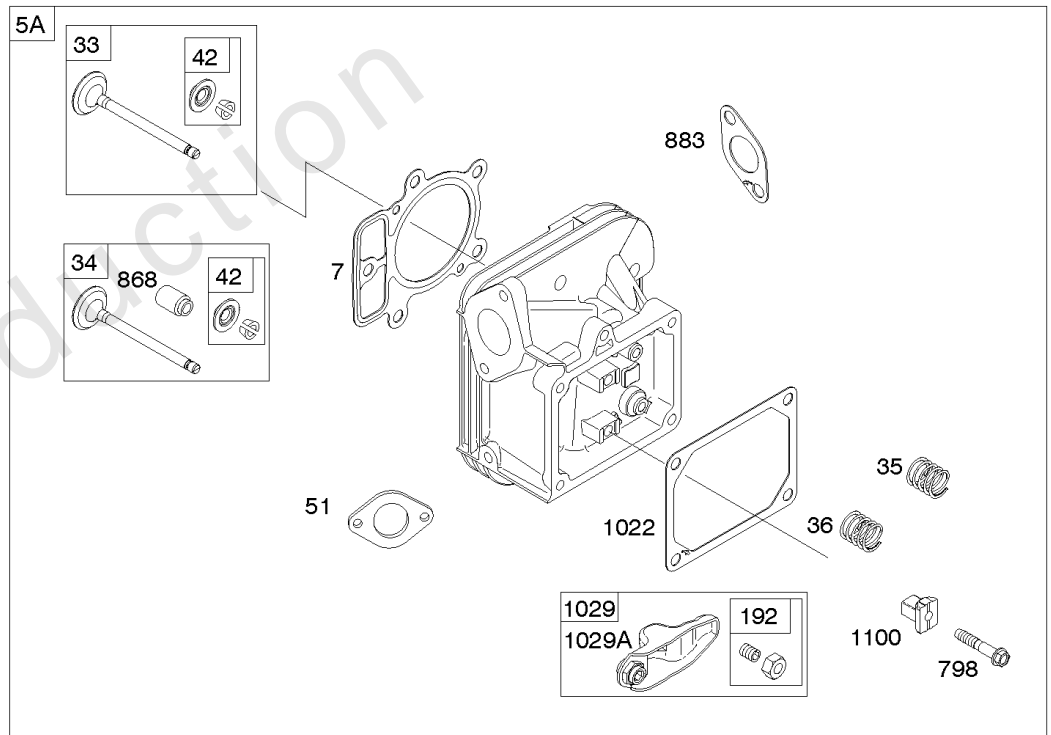
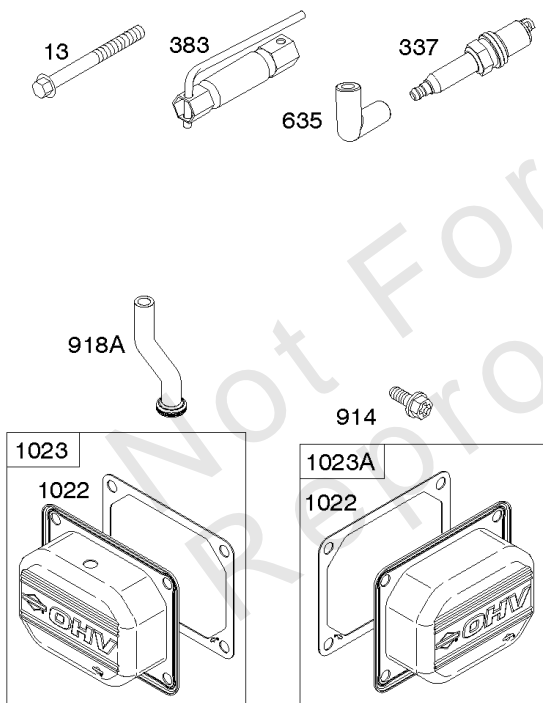
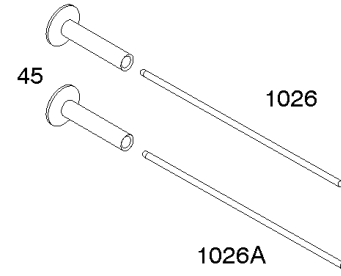
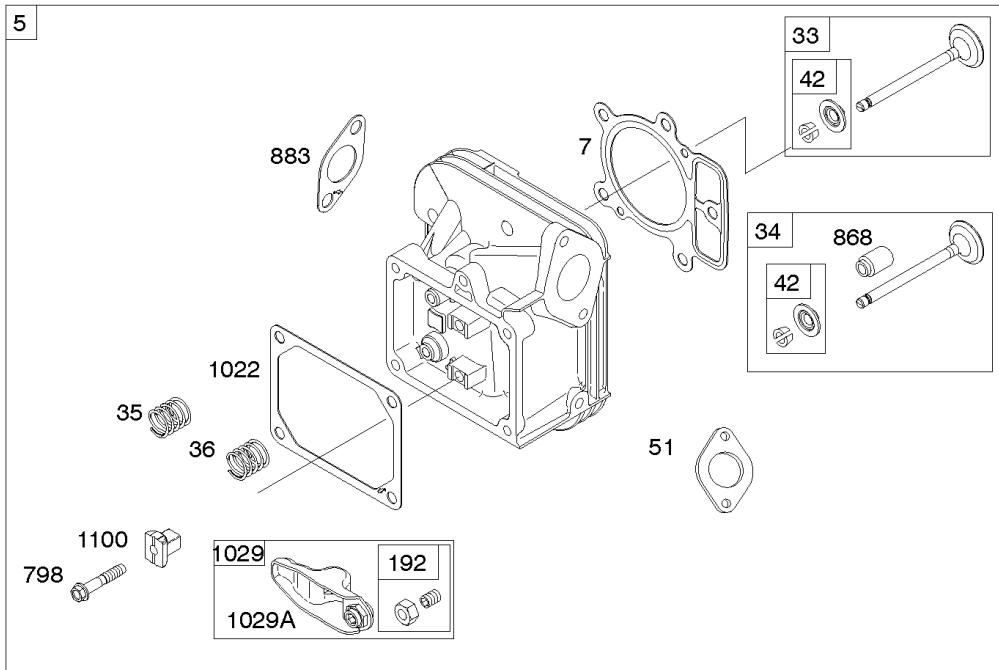
## Carburetor, Fuel Supply

| REF NO | PART NO | QTY | DESCRIPTION                        |
|--------|---------|-----|------------------------------------|
| 1128   | 690990  |     | SCREW<br>-(Carburetor Nozzle)      |
| 1169   | 690990  |     | SCREW<br>-(Carburetor Cover Plate) |

Not For Reproduction

# Cylinder Head, Rocker Arm Cover, Intake Manifold

Mfg. No: 49T877-0015-G1

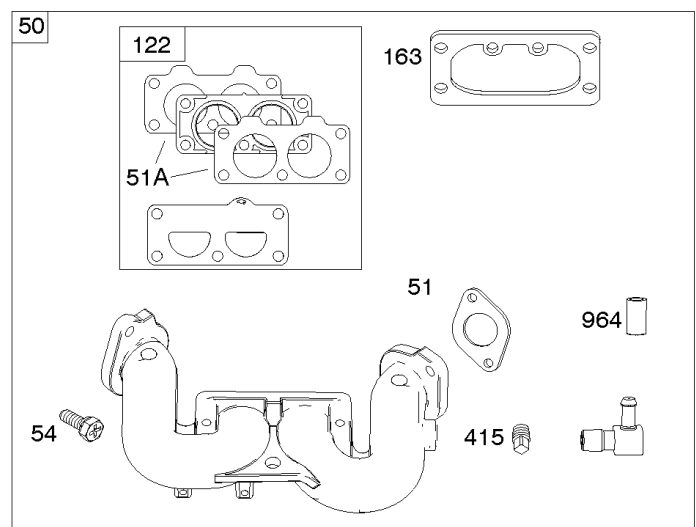
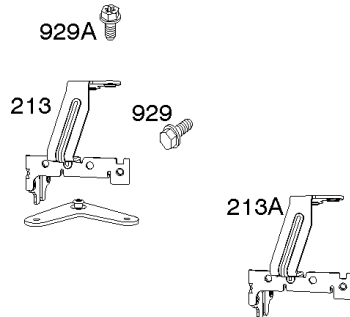
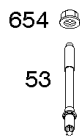
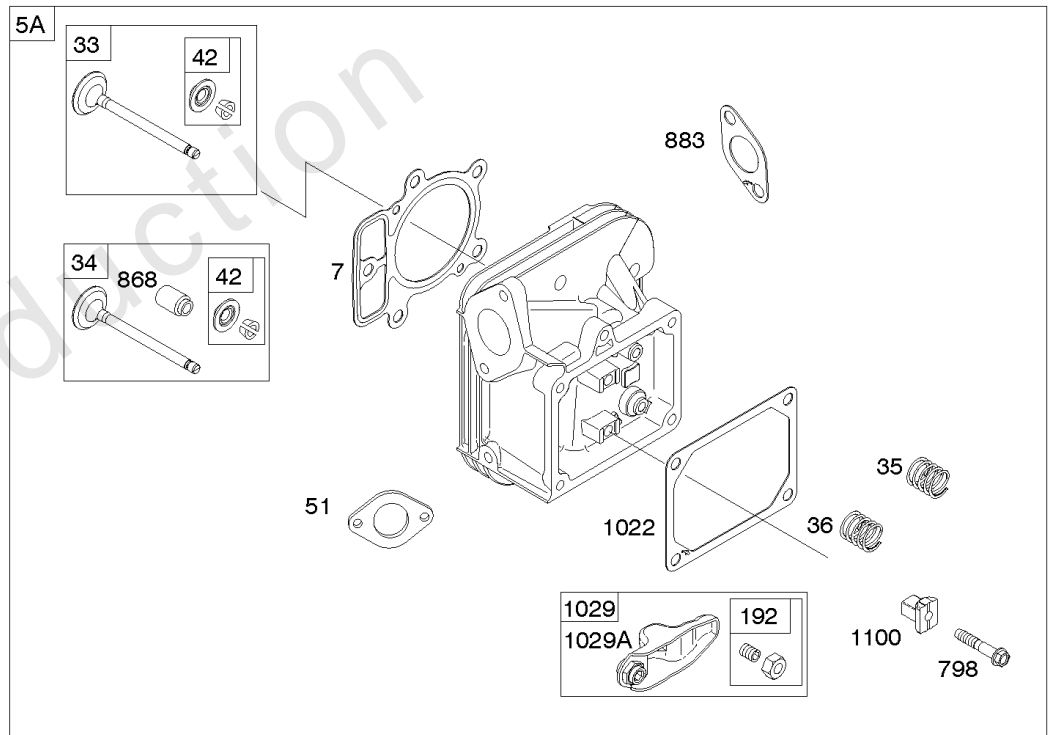
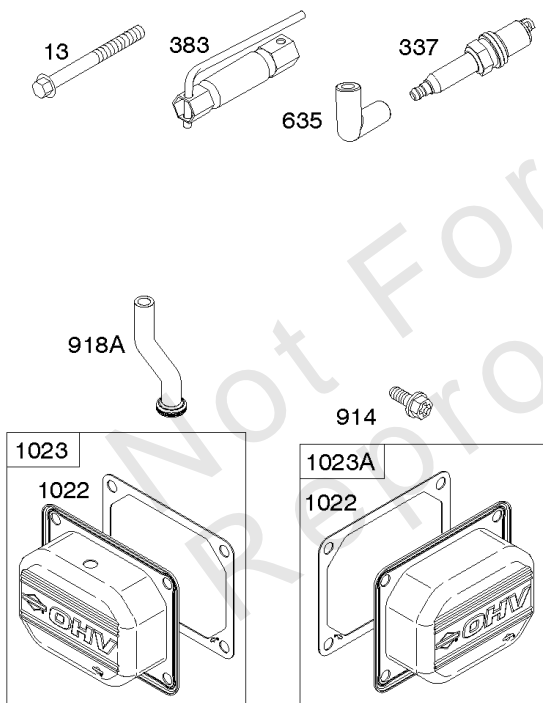
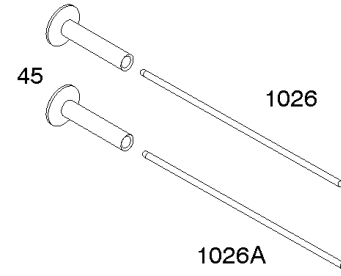
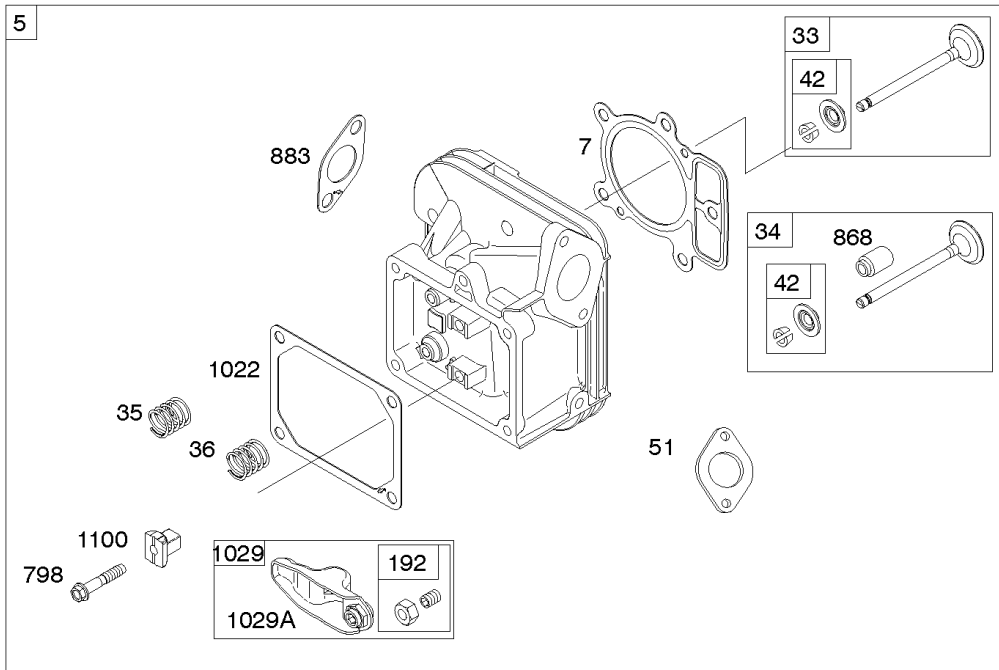


## Cylinder Head, Rocker Arm Cover, Intake Manifold

| REF NO | PART NO | QTY | DESCRIPTION                                     |
|--------|---------|-----|---|
| 5      | 799088  |     | HEAD, Cylinder<br>-(Cylinder #1)                |
| 5A     | 799089  |     | HEAD, Cylinder<br>-(Cylinder #2)                |
| 7      | 796851  |     | GASKET, Cylinder Head                           |
| 13     | 592244  |     | SCREW<br>-(Cylinder Head)                       |
| 33     | 793557  |     | VALVE, Exhaust                                  |
| 34     | 793556  |     | VALVE, Intake                                   |
| 35     | 694865  |     | SPRING, Valve<br>-(Intake)                      |
| 36     | 694865  |     | SPRING, Valve<br>-(Exhaust)                     |
| 42     | 499586  |     | KEEPER, Valve                                   |
| 45     | 690977  |     | TAPPET, Valve                                   |
| 50     | 797503  |     | MANIFOLD, Intake                                |
| 51     | 690949  |     | GASKET, Intake                                  |
| 51A    | 594427  |     | GASKET, Intake                                  |
| 53     | 690951  |     | STUD<br>-(Carburetor)                           |
| 54     | 699816  |     | SCREW<br>-(Intake Manifold)                     |
| 122    | 798759  |     | SPACER, Carburetor                              |
| 163    | 691001  |     | GASKET, Air Cleaner                             |
| 192    | 690083  |     | ADJUSTER, Rocker Arm                            |
| 213    | 799510  |     | BRACKET, Choke Control                          |
| 337    | 792015  |     | PLUG, Spark                                     |
| 383    | 19576S  |     | WRENCH, Spark Plug                              |
| 415    | 794903  |     | PLUG<br>-(Sump)                                 |
| 613    | 690341  |     | SCREW<br>-(Muffler)                             |
| 635    | 692076  |     | BOOT, Spark Plug                                |
| 654    | 690958  |     | NUT<br>-(Carburetor)                            |
| 798    | 697890  |     | SCREW<br>-(Rocker Arm)                          |
| 868    | 690968  |     | SEAL, Valve                                     |
| 883    | 690970  |     | GASKET, Exhaust                                 |
| 914    | 691127  |     | SCREW<br>-(Rocker Cover)                        |
| 918A   | 596163  |     | HOSE, Vacuum<br>-Used Before Code Date 19091800 |
| 918A   | 593641  |     | HOSE, Vacuum<br>-Used After Code Date 19091700  |
| 929    | 691003  |     | SCREW<br>-(Choke Control Bracket)               |
| 929A   | 794904  |     | SCREW<br>-(Choke Control Bracket)               |
| 964    | 799159  |     | CAP, Connector                                  |
| 1022   | 690971  |     | GASKET, Rocker Cover                            |
| 1023   | 793146  |     | COVER, Rocker<br>-(Cylinder #1)                 |
| 1023A  | 499600  |     | COVER, Rocker<br>-(Cylinder #2)                 |
| 1026   | 690981  |     | ROD, Push<br>-(Steel)                           |

# Cylinder Head, Rocker Arm Cover, Intake Manifold

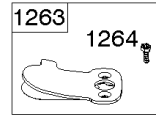
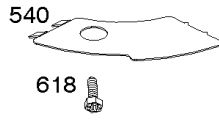
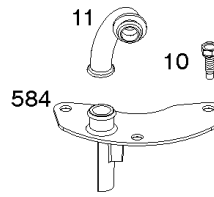
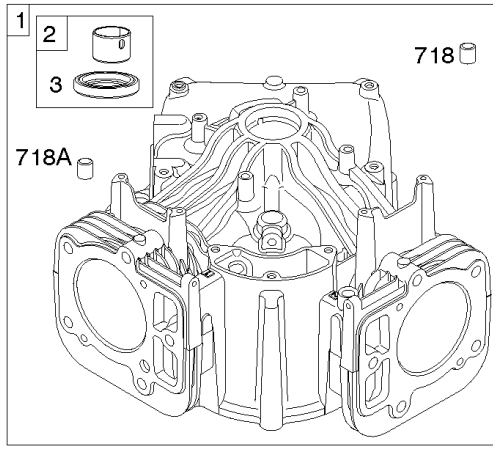
Mfg. No: 49T877-0015-G1



## ***Cylinder Head, Rocker Arm Cover, Intake Manifold***

| <b>REF NO</b> | <b>PART NO</b> | <b>QTY</b> | <b>DESCRIPTION</b>       |
|---------------|----------------|------------|--------------------------|
| 1026A         | 690982         |            | ROD, Push<br>-(Aluminum) |
| 1029          | 690972         |            | ARM, Rocker              |
| 1029A         | 807323         |            | ARM, Rocker              |
| 1100          | 791959         |            | PIVOT, Rocker Arm        |

Not For Reproduction



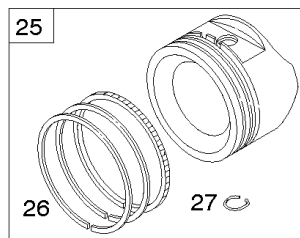
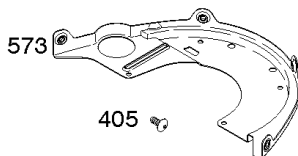
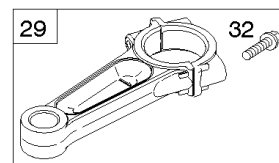
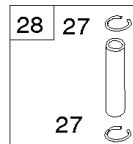
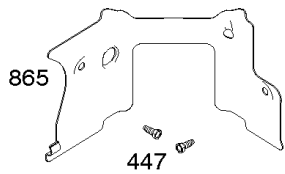
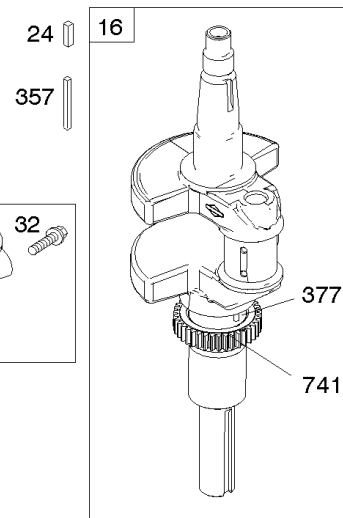
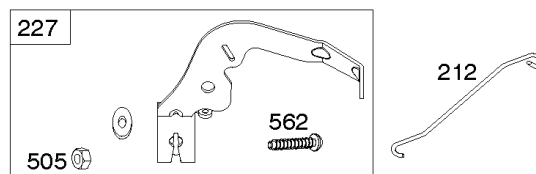
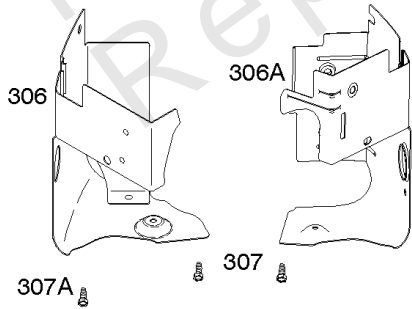
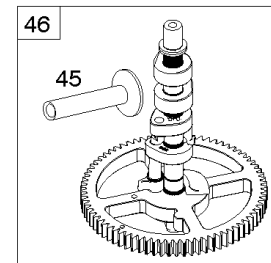
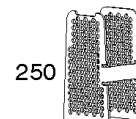
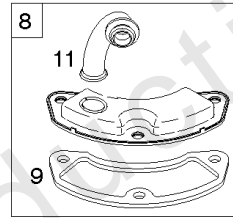
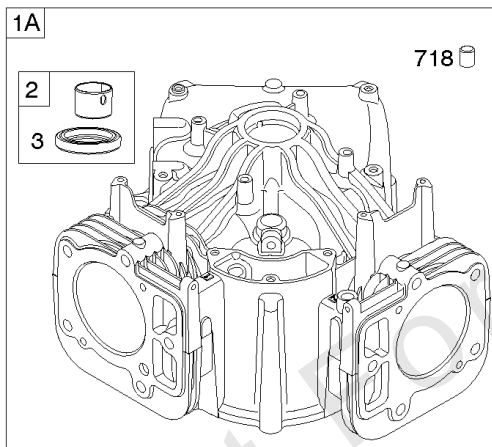
1319 WARNING LABEL

**REQUIRED** when replacing parts with warning labels affixed.

1319A WARNING LABEL

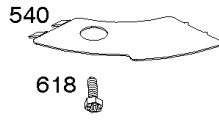
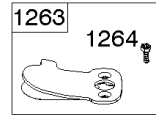
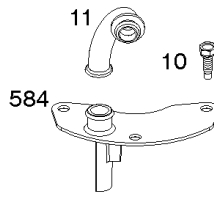
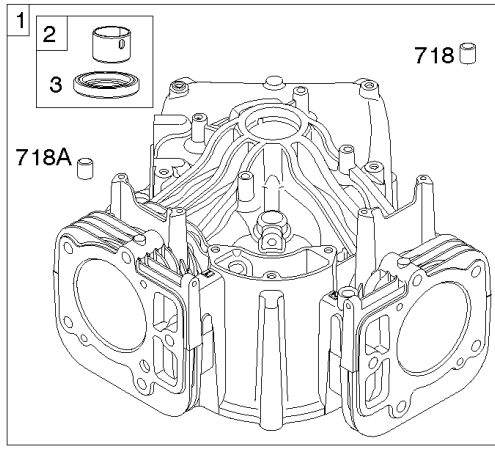
**REQUIRED** when replacing parts with warning labels affixed.

1036 EMISSIONS LABEL



## Cylinder, Crankshaft, Camshaft, Air Guides

| REF NO | PART NO | QTY | DESCRIPTION   |
|--------|---------|-----|---|
| 1      | 594972  |     | CYLINDER ASSEMBLY<br>-Used After Code Date 15071500   |
| 1A     | 591696  |     | CYLINDER ASSEMBLY<br>-Used Before Code Date 15071600  |
| 2      | 797673  |     | KIT, Bushing/Seal<br>-(Magneto Side)                  |
| 3      | 391086S |     | SEAL, Oil<br>-(Magneto Side)                          |
| 8      | 792185  |     | BREATHER ASSEMBLY<br>-Used Before Code Date 14110500  |
| 9      | 690937  |     | GASKET, Breather<br>-Used Before Code Date 14110500   |
| 10     | 691108  |     | SCREW<br>-(Breather Assembly)                         |
| 11     | 594163  |     | TUBE, Breather<br>-Used After Code Date 14110400      |
| 11     | 792184  |     | TUBE, Breather<br>-Used Before Code Date 14110500     |
| 16     | 595729  |     | CRANKSHAFT  |
| 24     | 796335  |     | KEY, Flywheel   |
| 25     | 595790  |     | PISTON ASSEMBLY<br>-(Standard)                        |
| 25     | 595791  |     | PISTON ASSEMBLY<br>-(.020" Oversize)                  |
| 26     | 595792  |     | SET, Ring<br>-(Standard)                              |
| 26     | 595793  |     | SET, Ring<br>-(.020" Oversize)                        |
| 27     | 690975  |     | LOCK, Piston Pin                                      |
| 28     | 593650  |     | PIN, Piston   |
| 29     | 796209  |     | ROD, Connecting                                       |
| 32     | 690976  |     | SCREW<br>-(Connecting Rod)                            |
| 45     | 690977  |     | TAPPET, Valve   |
| 46     | 796853  |     | CAMSHAFT  |
| 212    | 695238  |     | LINK, Throttle  |
| 227    | 798856  |     | LEVER, Governor Control                               |
| 250    | 690957  |     | RETAINER, Breather<br>-Used Before Code Date 14110500 |
| 252    | 794389  |     | COLLECTOR, Oil<br>-Used Before Code Date 14110500     |
| 306    | 796852  |     | SHIELD, Cylinder<br>-(Cylinder #1)                    |
| 306A   | 591666  |     | SHIELD, Cylinder<br>-(Cylinder #2)                    |
| 307    | 691003  |     | SCREW<br>-(Cylinder Shield)                           |
| 307A   | 691108  |     | SCREW<br>-(Cylinder Shield)                           |
| 357    | 691483  |     | KEY, Drive Pulley                                     |
| 377    | 690979  |     | KEY, Woodruff   |
| 405    | 594937  |     | SCREW<br>-(Back Plate)                                |
| 447    | 691003  |     | SCREW<br>-(Air Guide Cover)                           |
| 505    | 691029  |     | NUT<br>-(Governor Control Lever)                      |
| 540    | 594325  |     | PLATE, Baffle   |



1319 WARNING LABEL



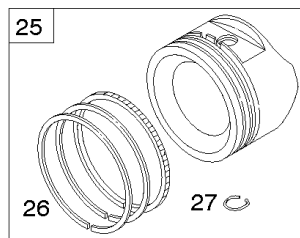
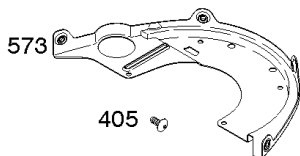
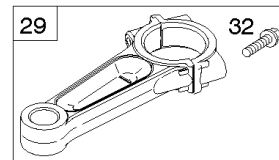
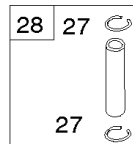
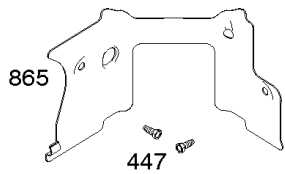
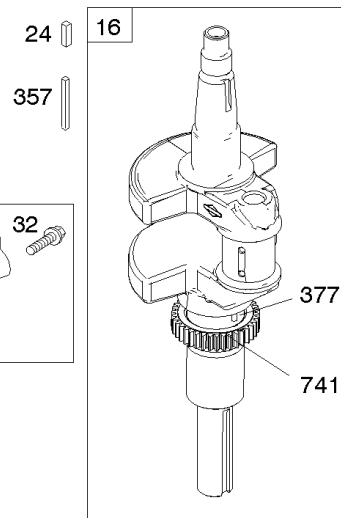
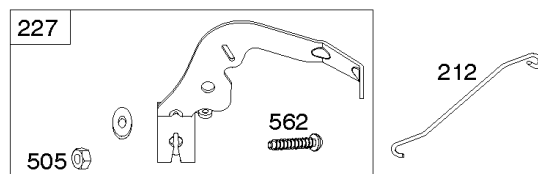
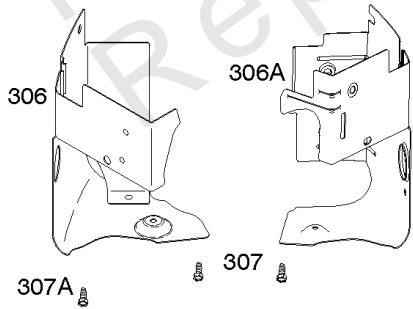
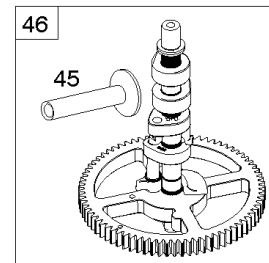
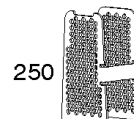
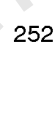
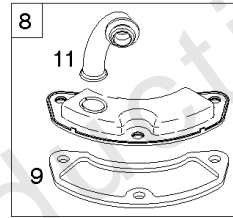
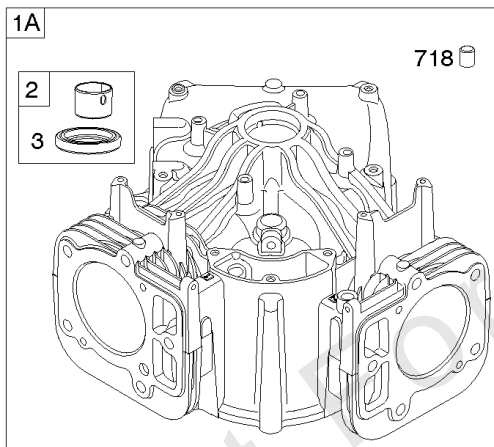
**REQUIRED** when replacing parts with warning labels affixed.

1319A WARNING LABEL



**REQUIRED** when replacing parts with warning labels affixed.

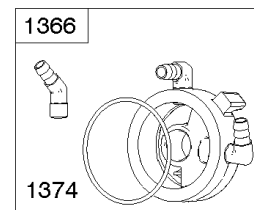
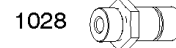
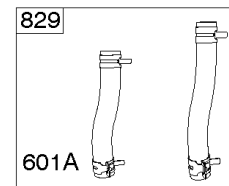
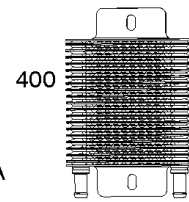
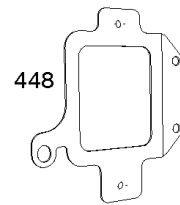
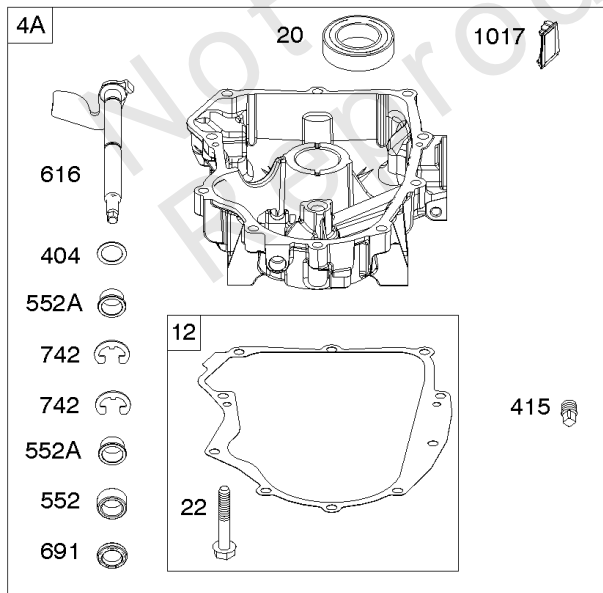
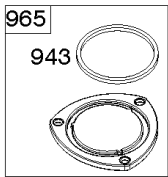
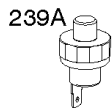
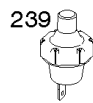
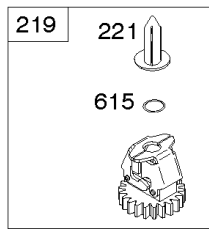
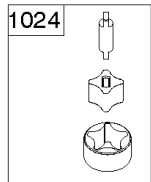
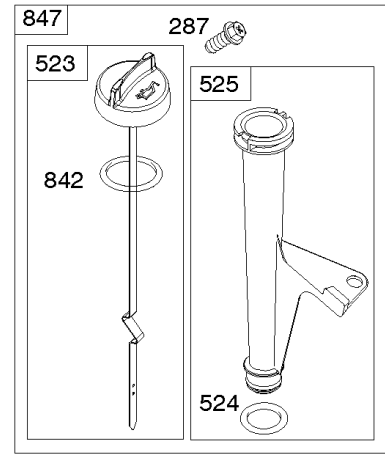
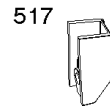
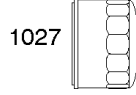
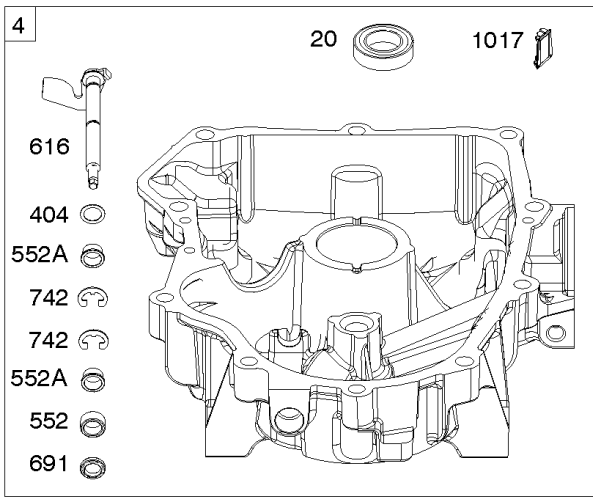
1036 EMISSIONS LABEL





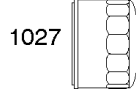
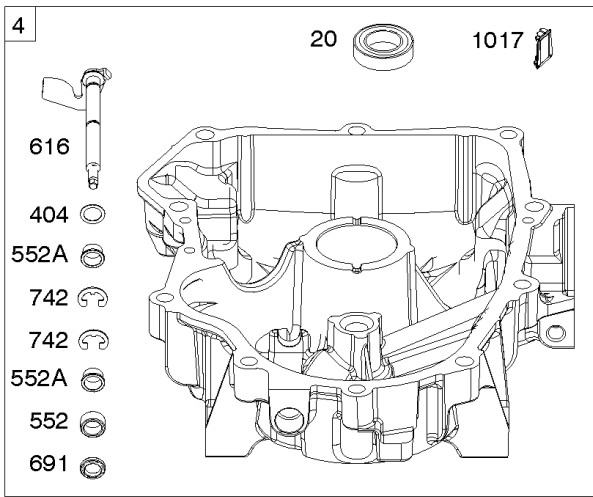
## Cylinder, Crankshaft, Camshaft, Air Guides

| REF NO | PART NO | QTY | DESCRIPTION  |
|--------|---------|-----|--|
| 562    | 690311  |     | BOLT<br>-(Governor Control Lever)  |
| 573    | 594902  |     | PLATE, Back  |
| 584    | 594164  |     | COVER, Breather Passage  |
| 618    | 594326  |     | SCREW<br>-(Baffle Plate)   |
| 718    | 690959  |     | PIN, Locating  |
| 718A   | 594988  |     | PIN, Locating  |
| 741    | 690980  |     | GEAR, Timing   |
| 850    | 100106  |     | SEALANT, Liquid  |
| 865    | 591667  |     | COVER, Air Guide<br>-(Valley)  |
| 1036   | -----   |     | Label-Emissions<br>-(Available From A Briggs & Stratton Authorized Dealer) |
| 1263   | 594166  |     | REED, Breather   |
| 1264   | 594165  |     | SCREW<br>-(Breather Reed)  |
| 1319   | 794467  |     | LABEL, Warning   |
| 1319A  | 797669  |     | LABEL, Warning   |

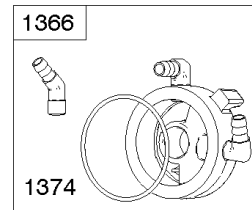
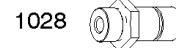
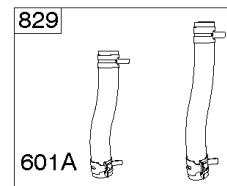
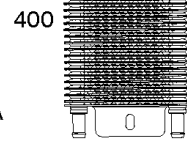
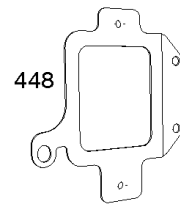
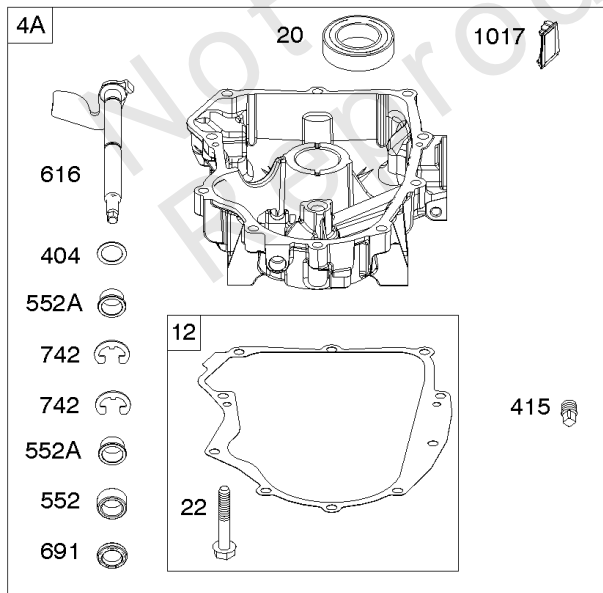
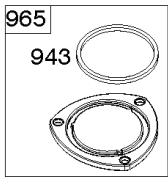
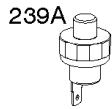
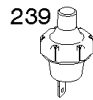
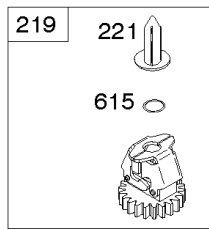
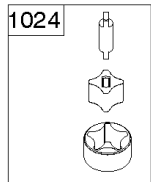
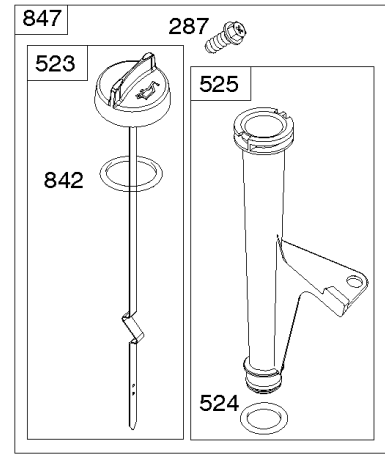
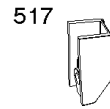


## Engine Sump, Lubrication, Oil Cooler

| REF NO | PART NO | QTY | DESCRIPTION                                     |
|--------|---------|-----|---|
| 4      | 593652  |     | SUMP, Engine<br>-Used After Code Date 15071500  |
| 4A     | 797502  |     | SUMP, Engine<br>-Used Before Code Date 15071600 |
| 12     | 594195  |     | GASKET, Crankcase                               |
| 15     | 690946  |     | PLUG, Oil Drain                                 |
| 20     | 795387  |     | SEAL, Oil<br>-(PTO Side)                        |
| 22     | 694966  |     | SCREW<br>-(Crankcase Cover/Sump)                |
| 186    | 796532  |     | CONNECTOR, Hose<br>-(Oil Drain)                 |
| 219    | 793338  |     | GEAR, Governor                                  |
| 220    | 799772  |     | WASHER<br>-(Governor Gear)                      |
| 221    | 841026  |     | CUP, Governor                                   |
| 287    | 697820  |     | SCREW<br>-(Dipstick Tube)                       |
| 305    | 594618  |     | SCREW<br>-(Blower Housing)                      |
| 400    | 796862  |     | COOLER, Oil                                     |
| 404    | 690442  |     | WASHER<br>-(Governor Crank)                     |
| 415    | 794903  |     | PLUG<br>-(Sump)                                 |
| 448    | 799103  |     | BRACKET, Oil Cooler                             |
| 512    | 594200  |     | HOSE, Oil Drain                                 |
| 523    | 594528  |     | DIPSTICK  |
| 524    | 691032  |     | SEAL, O-Ring                                    |
| 525    | 691037  |     | TUBE, Dipstick                                  |
| 552    | 796638  |     | BUSHING, Governor Crank                         |
| 552A   | 690553  |     | BUSHING, Governor Crank                         |
| 601A   | 841597  |     | CLAMP, Hose                                     |
| 615    | 698290  |     | RETAINER, Governor Shaft                        |
| 616    | 691045  |     | CRANK, Governor                                 |
| 691    | 790574  |     | SEAL, Governor Shaft                            |
| 742    | 690328  |     | RETAINER, E Ring                                |
| 750    | 796208  |     | SCREW<br>-(Oil Pump Cover)                      |
| 829    | 799104  |     | HOSE, Oil Cooler<br>-(Oil Cooler Hose)          |
| 842    | 691031  |     | SEAL, O-Ring<br>-(Dipstick Tube)                |
| 847    | 594609  |     | SCREW, Dipstick tube                            |
| 850    | 100106  |     | SEALANT, Liquid                                 |
| 943    | 796222  |     | SEAL, O-Ring<br>-(Oil Pump Cover)               |
| 965    | 796221  |     | COVER, Oil Pump                                 |
| 1017   | 796214  |     | SCREEN, Oil Pump                                |
| 1024   | 794644  |     | SHAFT, Pump                                     |
| 1027   | 696854  |     | FILTER, Oil<br>-(Black)                         |
| 1028   | 796864  |     | ADAPTER, Oil Filter                             |
| 1366   | 799131  |     | DIVERTER, Oil Cooler                            |
| 1373   | 695629  |     | SCREW<br>-(Oil Cooler Bracket)                  |



305B



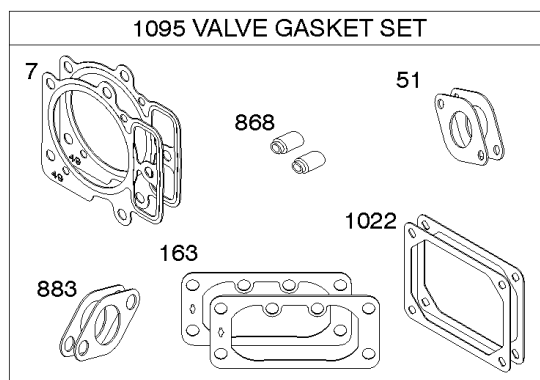
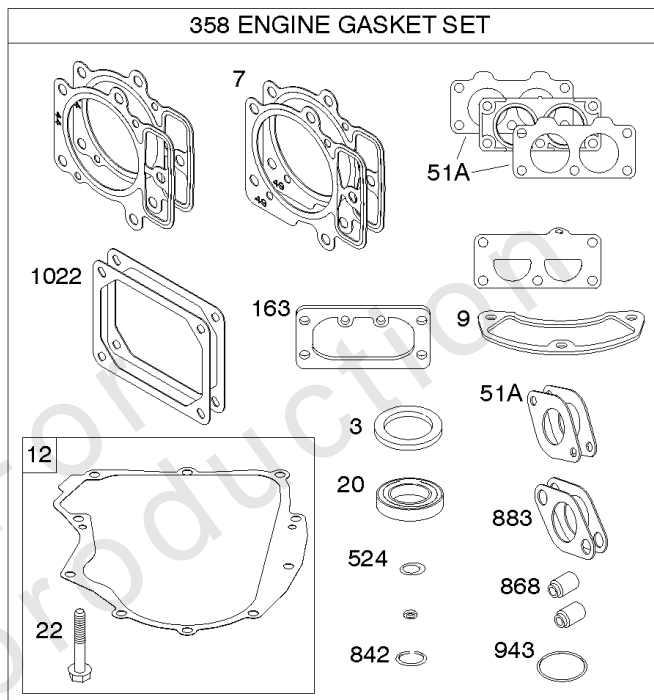
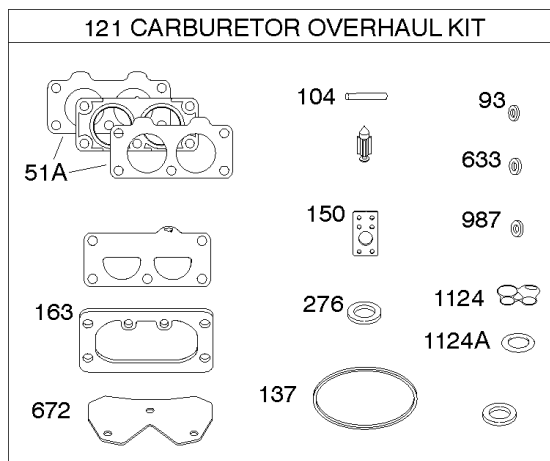
## *Engine Sump, Lubrication, Oil Cooler*

---

| REF NO | PART NO | QTY | DESCRIPTION                            |
|--------|---------|-----|--|
| 1373A  | 799105  |     | SCREW<br>-(Oil Cooler Bracket)         |
| 1374   | 796863  |     | SEAL, O-Ring<br>-(Oil Cooler Diverter) |

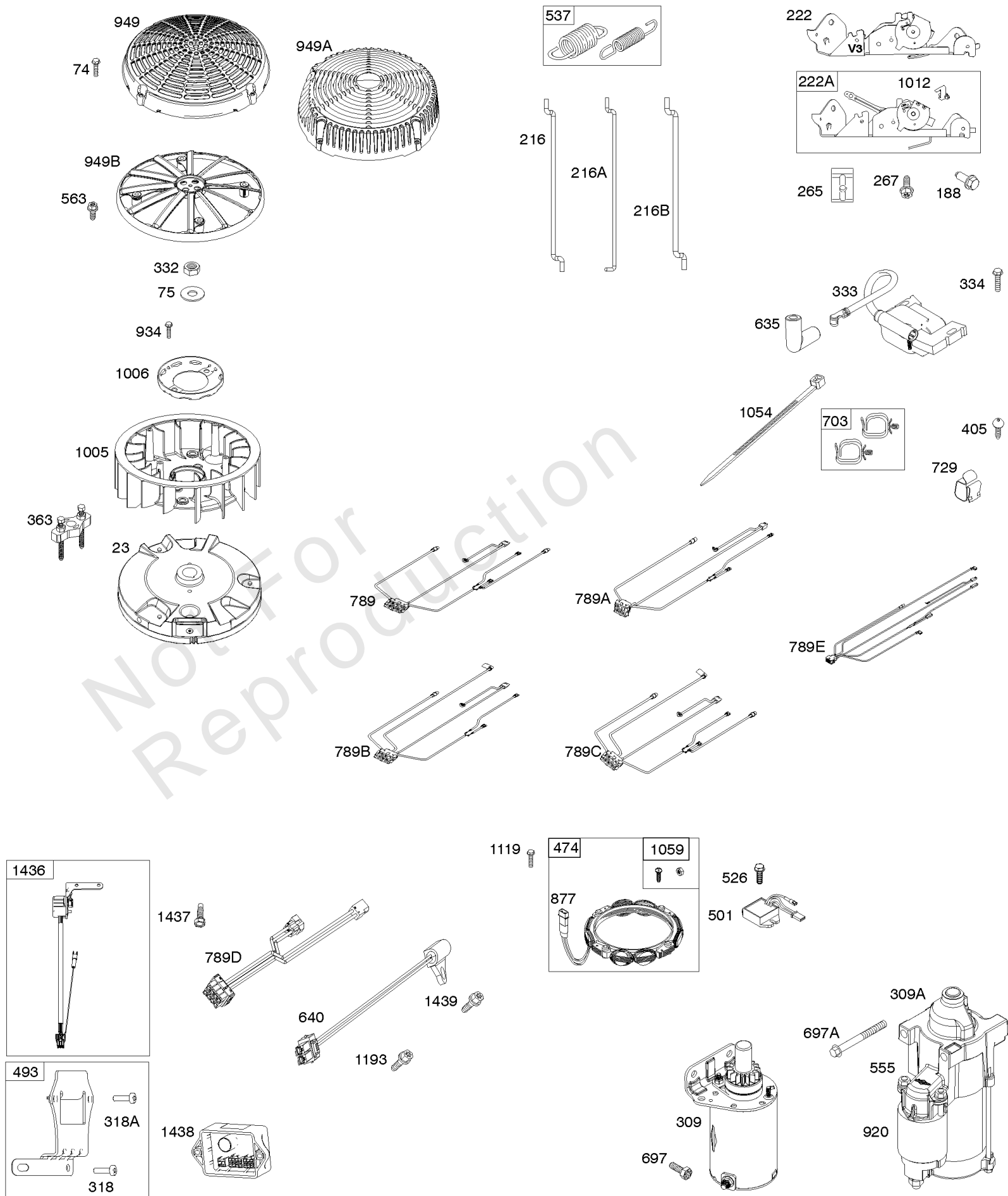
---

Not For Reproduction



## Engine/Valve Gasket Set, Carburetor Overhaul Kit

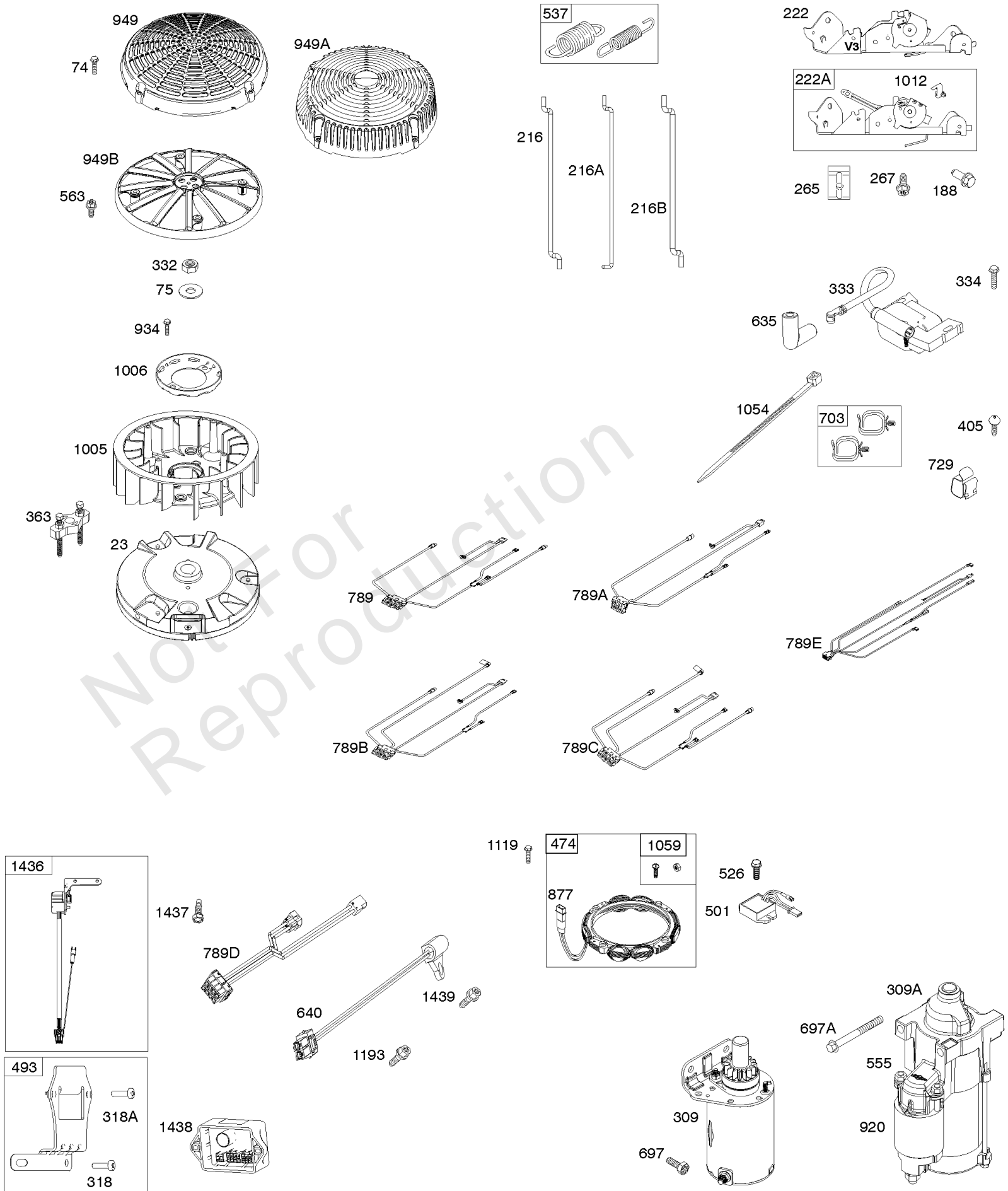
| REF NO | PART NO | QTY | DESCRIPTION   |
|--------|---------|-----|---|
| 3      | 391086S |     | SEAL, Oil<br>-(Magneto Side)                        |
| 7      | 796851  |     | GASKET, Cylinder Head                               |
| 9      | 690937  |     | GASKET, Breather<br>-Used Before Code Date 14110500 |
| 12     | 594195  |     | GASKET, Crankcase                                   |
| 20     | 795387  |     | SEAL, Oil<br>-(PTO Side)                            |
| 22     | 694966  |     | SCREW<br>-(Crankcase Cover/Sump)                    |
| 51     | 690949  |     | GASKET, Intake                                      |
| 51A    | 594427  |     | GASKET, Intake                                      |
| 93     | 845864  |     | BUSHING, Throttle Shaft                             |
| 104    | 694918  |     | PIN, Float Hinge                                    |
| 121    | 799132  |     | KIT, Carburetor Overhaul                            |
| 137    | 690994  |     | GASKET, Float Bowl                                  |
| 150    | 841649  |     | GASKET, Nozzle                                      |
| 163    | 691001  |     | GASKET, Air Cleaner                                 |
| 276    | 695410  |     | WASHER, Sealing                                     |
| 358    | 799117  |     | GASKET SET, Engine                                  |
| 524    | 691032  |     | SEAL, O-Ring  |
| 633    | 690722  |     | SEAL, Choke/Throttle Shaft                          |
| 672    | 690234  |     | GASKET, Carburetor Plate                            |
| 842    | 691031  |     | SEAL, O-Ring<br>-(Dipstick Tube)                    |
| 868    | 690968  |     | SEAL, Valve   |
| 883    | 690970  |     | GASKET, Exhaust                                     |
| 943    | 796222  |     | SEAL, O-Ring<br>-(Oil Pump Cover)                   |
| 987    | 808183  |     | SEAL, Choke/Throttle Shaft                          |
| 1022   | 690971  |     | GASKET, Rocker Cover                                |
| 1095   | 694013  |     | GASKET SET, Valve                                   |
| 1124   | 690988  |     | SEAL, O-Ring<br>-(Fuel Transfer Tube)               |
| 1124A  | 841653  |     | SEAL, O-Ring<br>-(Fuel Transfer Tube)               |





## ***Flywheel, Controls, Wire Harness, Alternator, Starter***

| REF NO | PART NO | QTY | DESCRIPTION                                      |
|--------|---------|-----|--|
| 23     | 594169  |     | FLYWHEEL   |
| 74     | 698425  |     | SCREW<br>-(Rotating Screen)                      |
| 75     | 691056  |     | WASHER<br>-(Flywheel)                            |
| 188    | 691108  |     | SCREW<br>-(Control Bracket)                      |
| 216B   | 796879  |     | LINK, Choke                                      |
| 222    | 798916  |     | BRACKET, Control                                 |
| 265    | 691024  |     | CLAMP, Casing                                    |
| 267    | 792629  |     | SCREW<br>-(Casing Clamp)                         |
| 309    | 590476  |     | MOTOR, Starter                                   |
| 318    | 691127  |     | SCREW<br>-(Mounting Bracket)                     |
| 318A   | 792629  |     | SCREW<br>-(Mounting Bracket)                     |
| 332    | 691059  |     | NUT<br>-(Flywheel)                               |
| 333    | 592846  |     | ARMATURE, Magneto                                |
| 334    | 691061  |     | SCREW<br>-(Magneto Armature)                     |
| 363    | 19203   |     | PULLER, Flywheel                                 |
| 405    | 594937  |     | SCREW<br>-(Back Plate)                           |
| 474    | 592830  |     | ALTERNATOR<br>-(10-16 Amp Regulated)             |
| 493    | 797176  |     | BRACKET, Mounting                                |
| 501    | 593490  |     | REGULATOR  |
| 526    | 691108  |     | SCREW<br>-(Regulator)                            |
| 537    | 594915  |     | KIT, Governor/Idle Spring                        |
| 563    | 799360  |     | SCREW<br>-(Debris Screen Guard)                  |
| 635    | 692076  |     | BOOT, Spark Plug                                 |
| 640    | 796913  |     | WIRE ASSEMBLY<br>-(Thermistor)                   |
| 697    | 591909  |     | SCREW<br>-(Starter Motor) (Drive Cap)            |
| 703    | 691010  |     | CLIP   |
| 729    | 593826  |     | CLIP, Wire                                       |
| 789    | 796860  |     | HARNESS, Wiring                                  |
| 789D   | 796914  |     | HARNESS, Wiring                                  |
| 877    | 399916  |     | WIRE/CONNECTOR, Alternator                       |
| 934    | 593638  |     | SCREW<br>-(Fan Retainer)                         |
| 949    | 799357  |     | GUARD, Debris Screen                             |
| 949B   | 593206  |     | GUARD, Debris Screen                             |
| 1005   | 593640  |     | FAN, Flywheel<br>-Used After Code Date 14082400  |
| 1005   | 791236  |     | FAN, Flywheel<br>-Used Before Code Date 14082500 |
| 1006   | 798750  |     | RETAINER, Fan                                    |
| 1012   | 592556  |     | RETAINER, Link                                   |
| 1054   | 280275  |     | TIE, Cable                                       |
| 1059   | 698516  |     | KIT, Screw/Washer                                |



## *Flywheel, Controls, Wire Harness, Alternator, Starter*

| REF NO | PART NO | QTY | DESCRIPTION                          |
|--------|---------|-----|--------------------------------------|
| 1119   | 691183  |     | SCREW<br>-(Alternator)               |
| 1193   | 592577  |     | SCREW<br>-(Thermostat)               |
| 1436   | 799108  |     | MOTOR, Stepper/Bracket               |
| 1437   | 695239  |     | SCREW<br>-(Stepper/Bracket Motor)    |
| 1438   | 796352S |     | MODULE, Electronic Choke             |
| 1439   | 794904  |     | SCREW<br>-(Thermistor Wire Assembly) |

Not For Reproduction

## Replacement Engine - US & Canada

| REF NO | PART NO      | QTY | DESCRIPTION                          |
|--------|--------------|-----|--------------------------------------|
|        | 797511       | 1   | Replacement Short Block              |
|        | 49T8770015G1 | 1   | Replacement Engine                   |
|        | -----        |     | Top No-Load Speed: 3400<br>-Trim: G1 |

Not For Reproduction

