



# Parts Manual

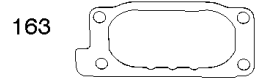
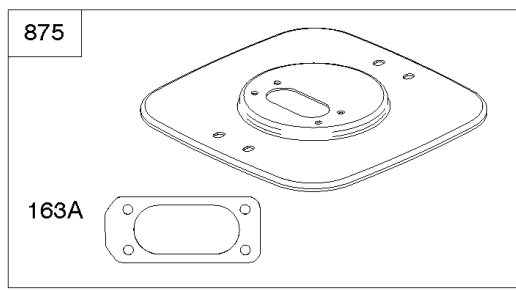
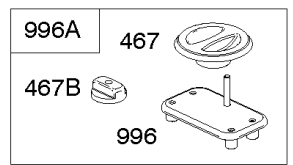
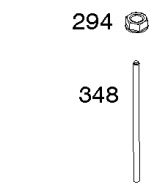
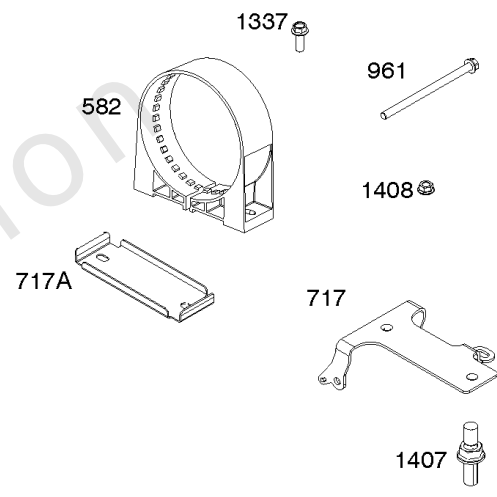
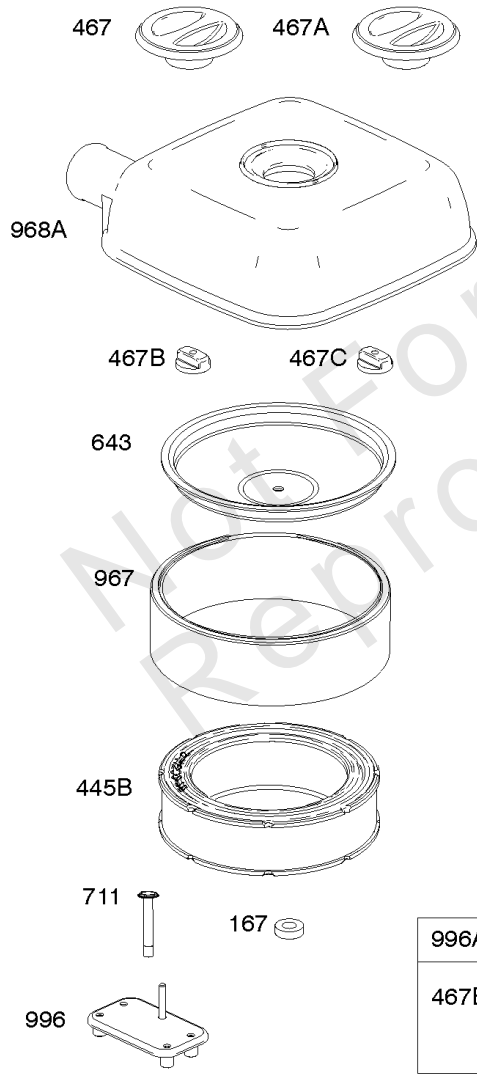
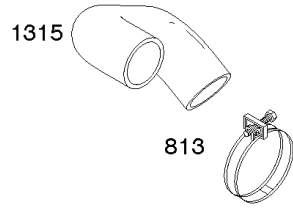
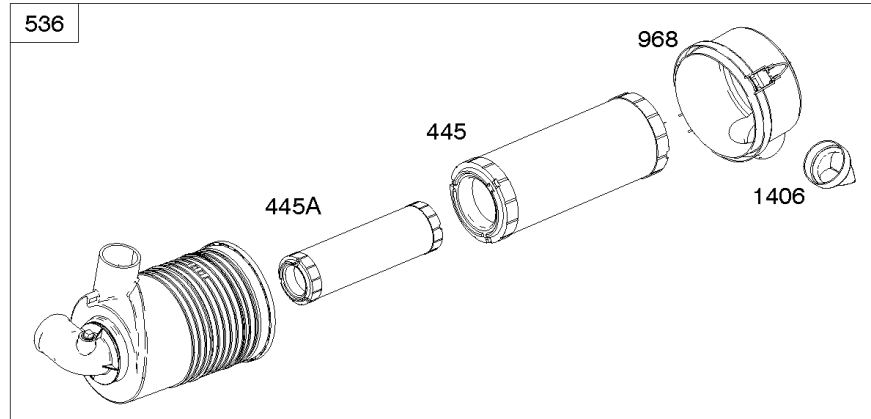
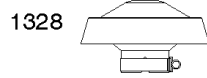
Mfg. No: 543777-0010-J1



---

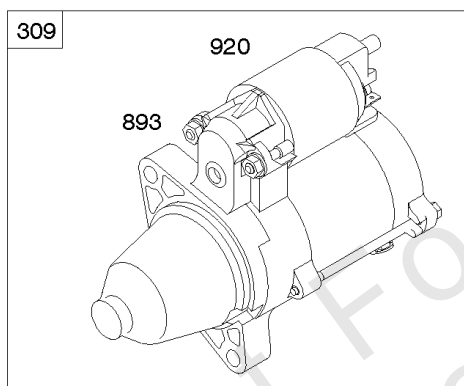
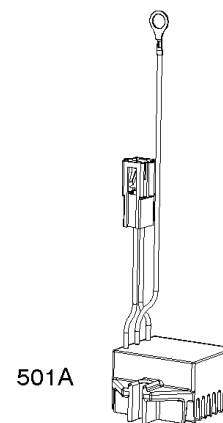
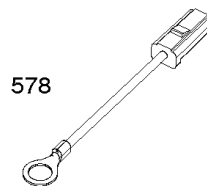
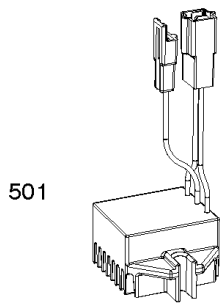
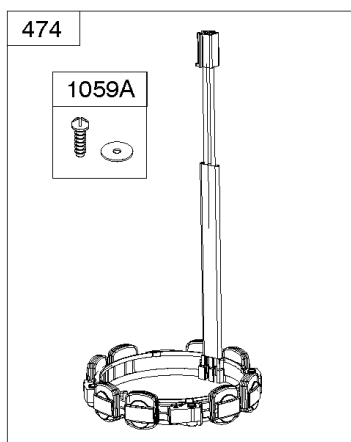
<b>Model Components</b>	<b>Page</b>
Air Cleaner, Cyclonic Air Cleaner.....	4
Alternator, Regulators, Starter Motor, Harness's.....	6
Camshaft, Crankcase Covers.....	8
Carburetor Overhaul Kit, Engine/Valve Gasket Sets.....	10
Carburetor, Fuel Supply.....	12
Control Brackets, Springs/Rods, Air Guides.....	16
Cylinders, Crankshaft, Piston/Rings/Rods.....	18
Flywheel, Flywheel Fans, Rotating Screen.....	22
Intake Manifold, Intake Elbows, Muffler.....	24
Oil Cooler, Blower Housings.....	26
Replacement Engine - US & Canada.....	28
Rocker Arm Covers, Cylinder Heads.....	29

Not For  
Reproduction

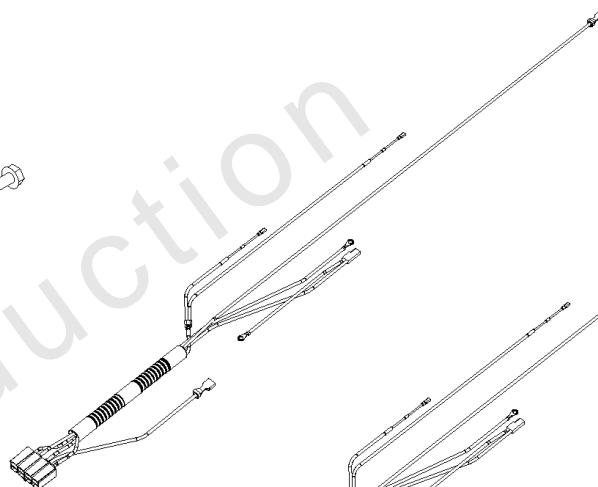


## Air Cleaner, Cyclonic Air Cleaner

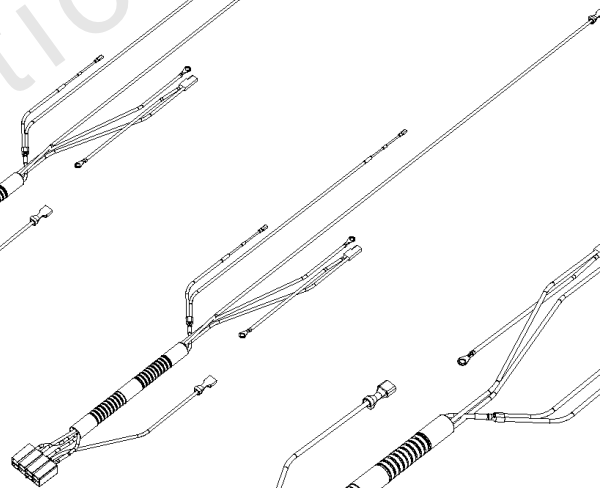
REF NO	PART NO	QTY	DESCRIPTION
163	807375		GASKET, Air Cleaner -(Carburetor Side)
294	690939		NUT -(Carburetor Shield)
348	843360		STUD -(Carburetor Shield) (M6x134mm)
445	841497		FILTER, A/C Cartridge
445A	821136		FILTER, A/C Cartridge
445B	692519		FILTER, A/C Cartridge
467	846008		KNOB, Air Cleaner Cover -(M8) -Used After Code Date 14012700
467A	841846		KNOB, Air Cleaner Cover -(M6) -Used Before Code Date 14012800
467B	846007		KNOB, Air Cleaner Cover -(M8) -Used After Code Date 14012700
467C	844618		KNOB, Air Cleaner Cover -(M6) -Used Before Code Date 14012800
536	809670		CLEANER, Air
582	809878		CLAMP, Air Cleaner
643	844932		RETAINER, Air Filter
711	843361		SCREW -(Carburetor Shield) (M6x136mm)
717	842529		BRACKET, Air Cleaner
717A	841886		BRACKET, Air Cleaner
813	807376		CLAMP -(Air Cleaner Hose)
961	846829		SCREW -(Air Cleaner Bracket) (M8x125mm)
961	842530		SCREW -(Air Cleaner Bracket) (M8x30mm)
967	692520		FILTER, Pre Cleaner
968	842621		COVER, Air Cleaner
968A	841847		COVER, Air Cleaner
996	846006		SHIELD, Carburetor -(M8 Stud) -Used After Code Date 14012700
996A	846013		SHIELD, Carburetor -(M8 Stud) -Used Before Code Date 14012800
1315	809905		HOSE, Air Cleaner
1328	809907		CAP, A/C Rain
1337	807382		SCREW -(Air Cleaner Clamp) (M8x25mm)
1406	842623		VALVE, Debris
1407	842531		STUD -(Air Cleaner Bracket)
1408	690941		NUT -(Air Cleaner Bracket)



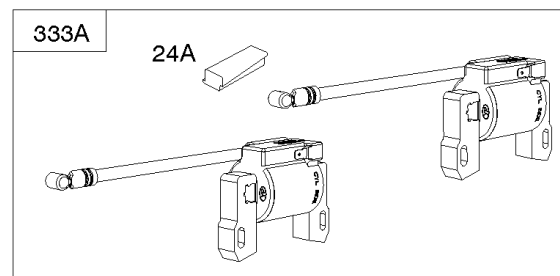
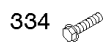
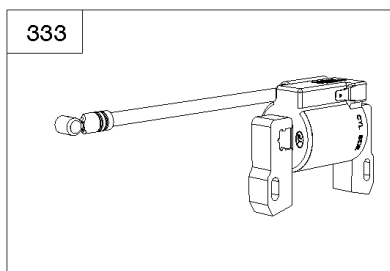
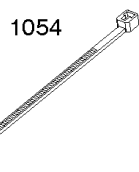
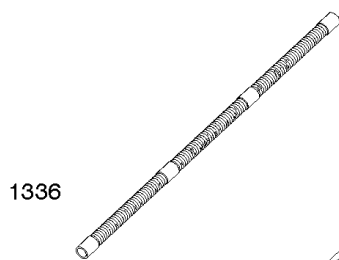
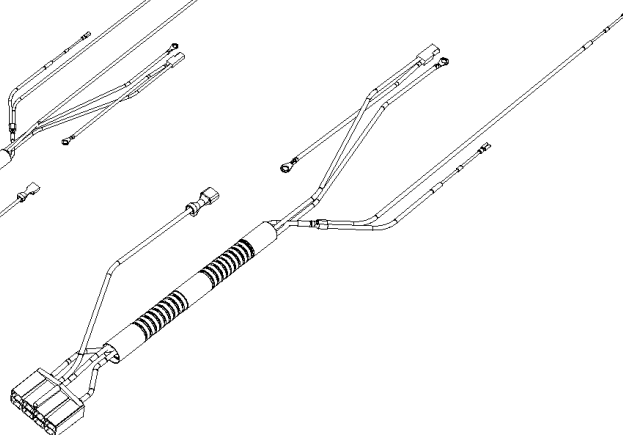
789



789A

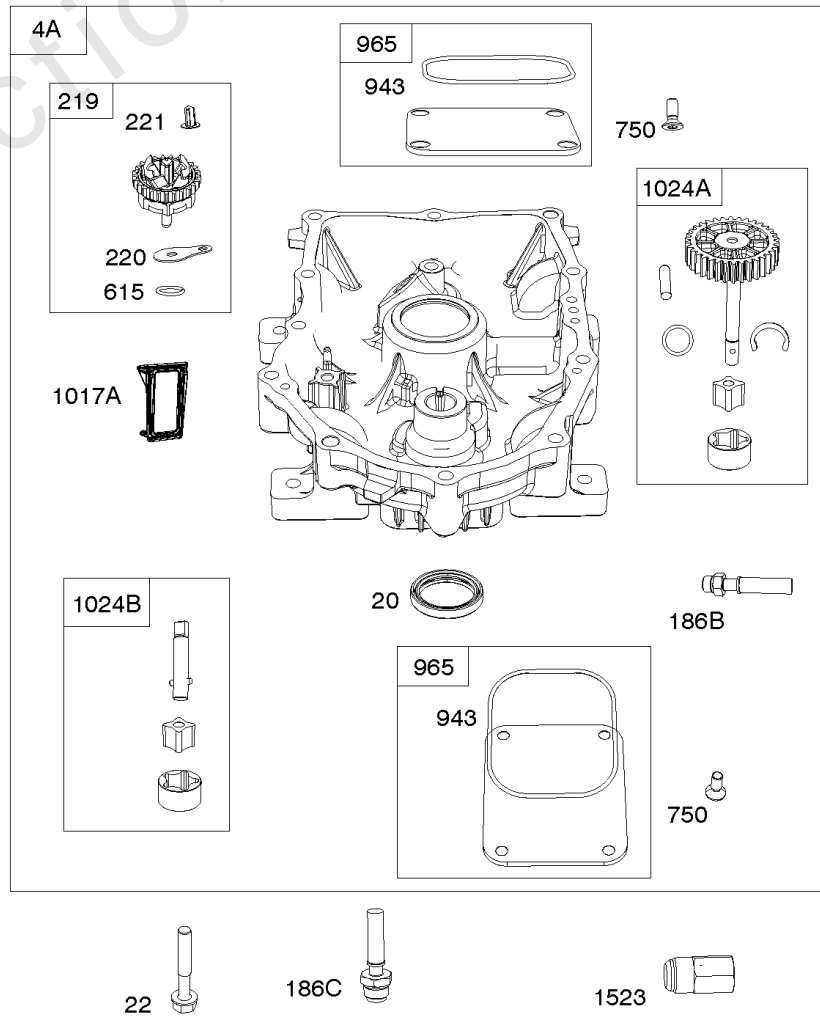
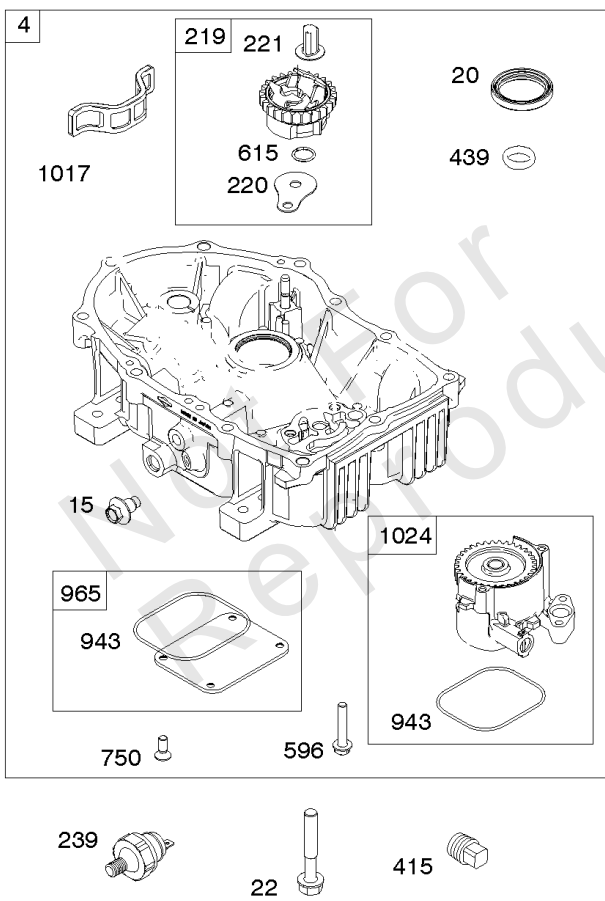
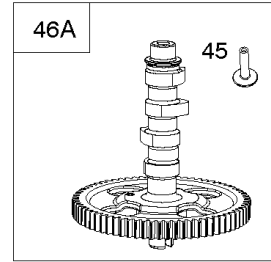
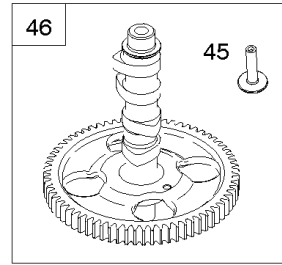
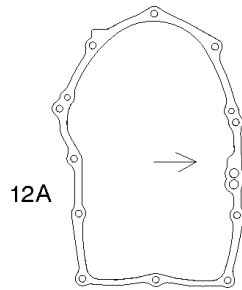
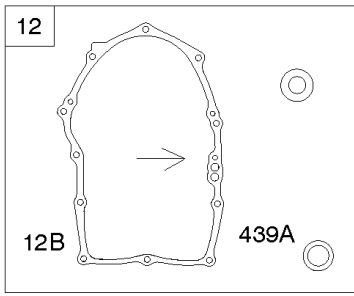


789B



## Alternator, Regulators, Starter Motor, Harness's

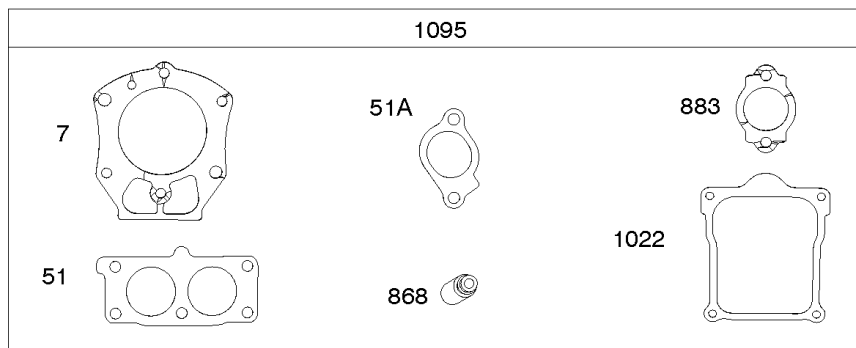
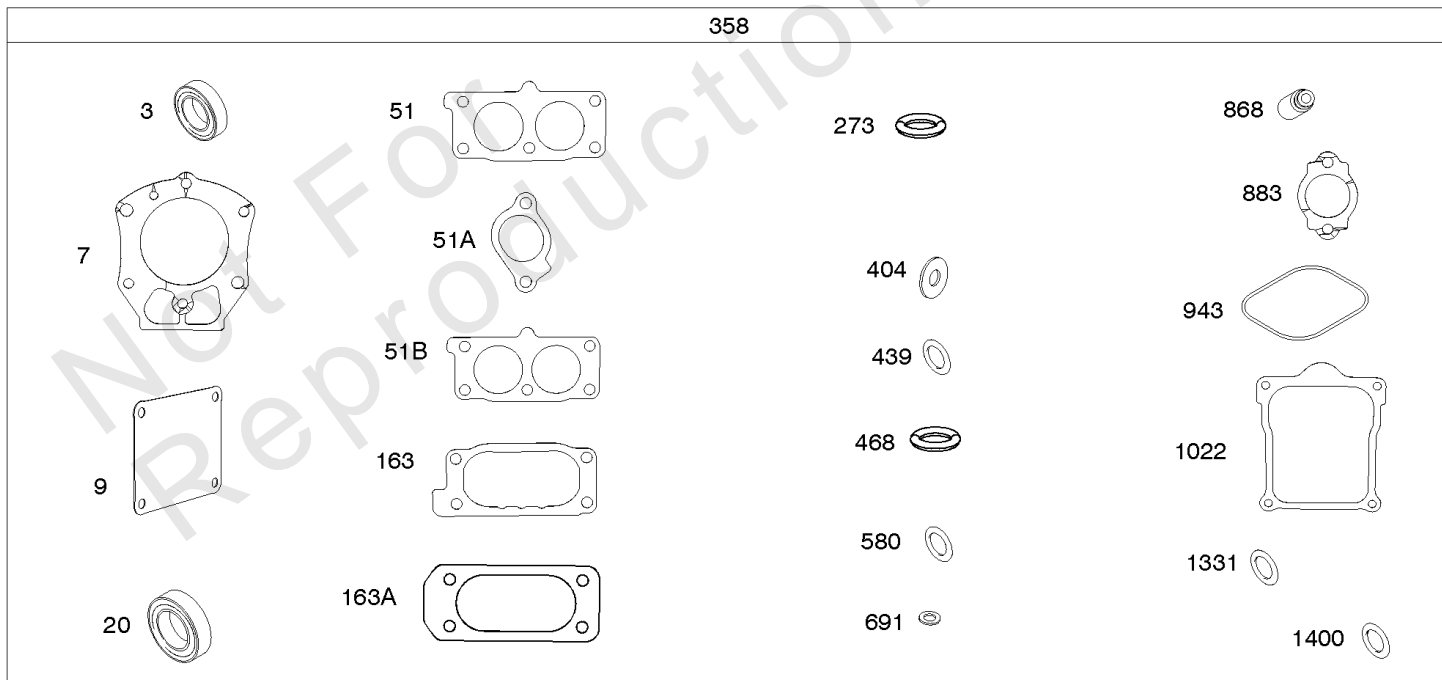
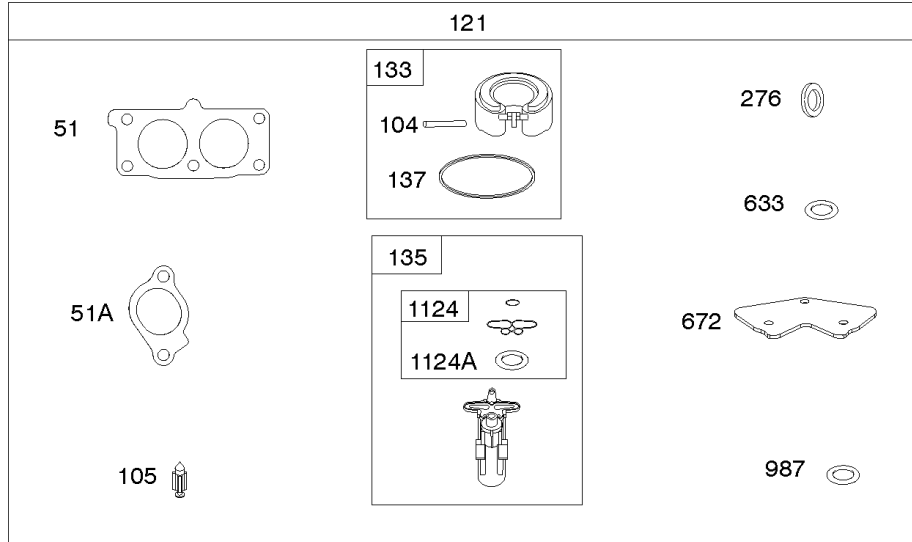
REF NO	PART NO	QTY	DESCRIPTION
24A	843837		KEY, Flywheel -(Offset Key) (Aluminum) -Used Before Code Date 06111500
309	845761		MOTOR, Starter
333	845126		ARMATURE, Magneto -Used After Code Date 06111400
333A	843860		ARMATURE, Magneto -(Includes Offset Flywheel Key) -Used Before Code Date 06111500
334	692066		SCREW -(Magneto Armature) (M4x23mm)
344	841233		SCREW -(Cable Clamp) (M6x10mm)
474	846882		ALTERNATOR
501A	847385		REGULATOR -(20 Amp)
526	690717		SCREW -(Regulator) (M6x30mm)
529	690744		GROMMET -(Magneto Armature Wires)
578	846899		WIRE ASSEMBLY -(Regulator to Starter Motor) (Red) -Used After Code Date 15110100
587	846866		CLAMP, Cable
635	692076		BOOT, Spark Plug
697	690711		SCREW -(Starter Motor) (Drive Cap)
789B	847061		HARNESS, Wiring -Used After Code Date 15110100
893	845758		NUT -(Starter Solenoid)
920	846737		SOLENOID, Starter
1054	280275		TIE, Cable
1059A	698516		KIT, Screw/Washer -(Alternator)
1119	691552		SCREW -(Alternator) (M4x30mm)
1336	841015		SHIELD, Wire Protective





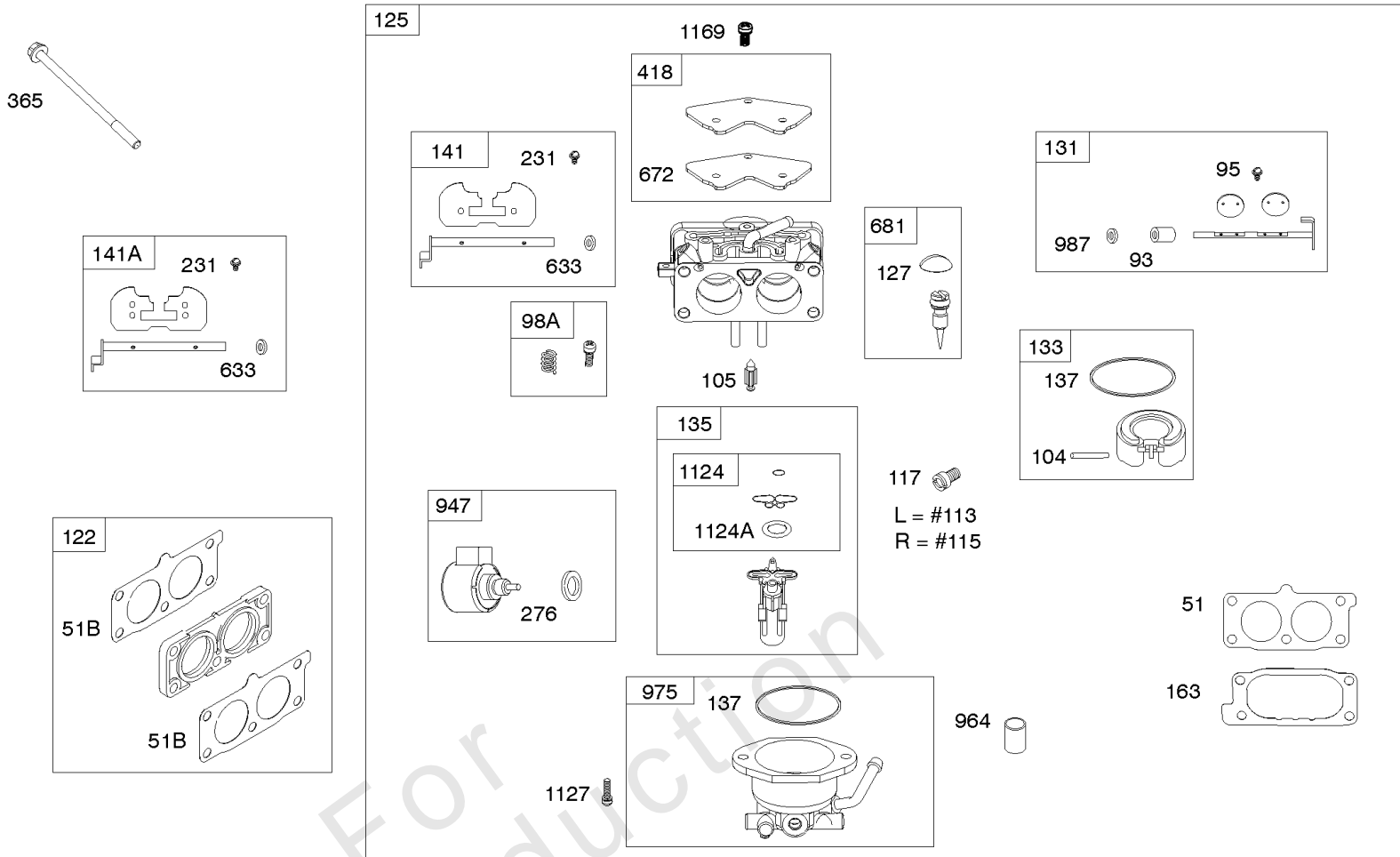
## Camshaft, Crankcase Covers

REF NO	PART NO	QTY	DESCRIPTION
4	845176		SUMP, Engine
12	846037		GASKET, Crankcase -Used After Code Date 13072100
12A	844107		GASKET, Crankcase -Used Before Code Date 13072200
12B	843969		GASKET, Crankcase -Used After Code Date 13072100
15	807392		PLUG, Oil Drain
20	841596		SEAL, Oil -(PTO Side)
22	690676		SCREW -(Crankcase Cover/Sump) (M8x63mm) -Used After Code Date 10032300
22	807362		SCREW -(Crankcase Cover/Sump) (M8x50mm) -Used Before Code Date 10032400
45	809785		TAPPET, Valve
46	809879		CAMSHAFT
219	809426		GEAR, Governor
220	841608		WASHER -(Governor Gear)
221	841026		CUP, Governor
239	841281		SWITCH, Oil Pressure
415	794903		PLUG
439	692154		O-RING, Oil Gallery -(Crankcase Cover/Sump or Cylinder Assembly)
439A	846027		O-RING, Oil Gallery -(Crankcase Cover/Sump or Cylinder Assembly) -Used After Code Date 13072100
596	807385		SCREW -(Oil Pump)
615	698290		RETAINER, Governor Shaft -(Crankcase Cover/Sump)
750	842537		SCREW -(Oil Pump Cover)
943	842538		SEAL, O-Ring -(Oil Pump Cover)
965	842536		COVER, Oil Pump
1017	842535		SCREEN, Oil Pump
1024	-----		Pump-Oil -(NO LONGER AVAILABLE) -Used Before Code Date 13012800
1024	846026		PUMP, Oil -Used After Code Date 13012700

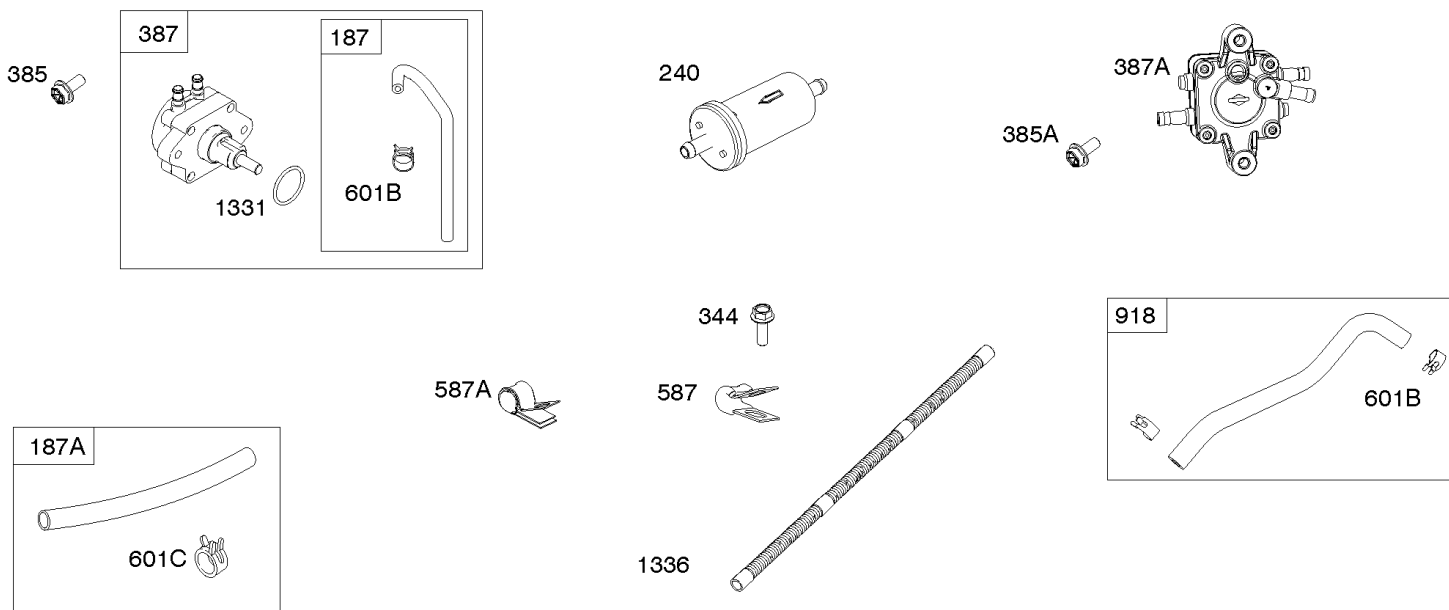


## Carburetor Overhaul Kit, Engine/Valve Gasket Sets

REF NO	PART NO	QTY	DESCRIPTION
3	841596		SEAL, Oil -(Magneto Side)
7	809730		GASKET, Cylinder Head
9	842545		GASKET, Breather
20	841596		SEAL, Oil -(PTO Side)
51	809910		GASKET, Intake
51A	841592		GASKET, Intake
51B	841882		GASKET, Intake -(Intake Hole Diameter - 32mm)
104	690882		PIN, Float Hinge
105	696136		VALVE, Float Needle
121	842697		KIT, Carburetor Overhaul
133	841545		FLOAT, Carburetor
135	842677		TUBE, Fuel Transfer
137	841651		GASKET, Float Bowl
163	807375		GASKET, Air Cleaner -(Carburetor Side)
273	690681		SEAL, O-Ring -(Oil Pump)
276	695410		WASHER, Sealing
358	841122		GASKET SET, Engine
404	809436		WASHER -(Governor Crank)
439	692154		O-RING, Oil Gallery -(Crankcase Cover/Sump or Cylinder Assembly)
468	690690		SEAL, O-Ring -(Oil Pump Screen)
580	809894		SEAL, O-Ring -(Oil Fill Cap)
633	690722		SEAL, Choke/Throttle Shaft -(Choke Shaft)
672	842696		GASKET, Carburetor Plate
691	809287		SEAL, Governor Shaft
868	691963		SEAL, Valve
883	809872		GASKET, Exhaust
943	842538		SEAL, O-Ring -(Oil Pump Cover)
987	808183		SEAL, Choke/Throttle Shaft
1022	809732		GASKET, Rocker Cover
1095	843713		GASKET SET, Valve
1124	842678		SEAL, O-Ring -(Fuel Transfer Tube)
1124A	841653		SEAL, O-Ring -(Fuel Transfer Tube)
1331	809894		SEAL, O-Ring -(Fuel Pump)
1400	809894		SEAL, O-Ring -(Fuel Pump Cover)

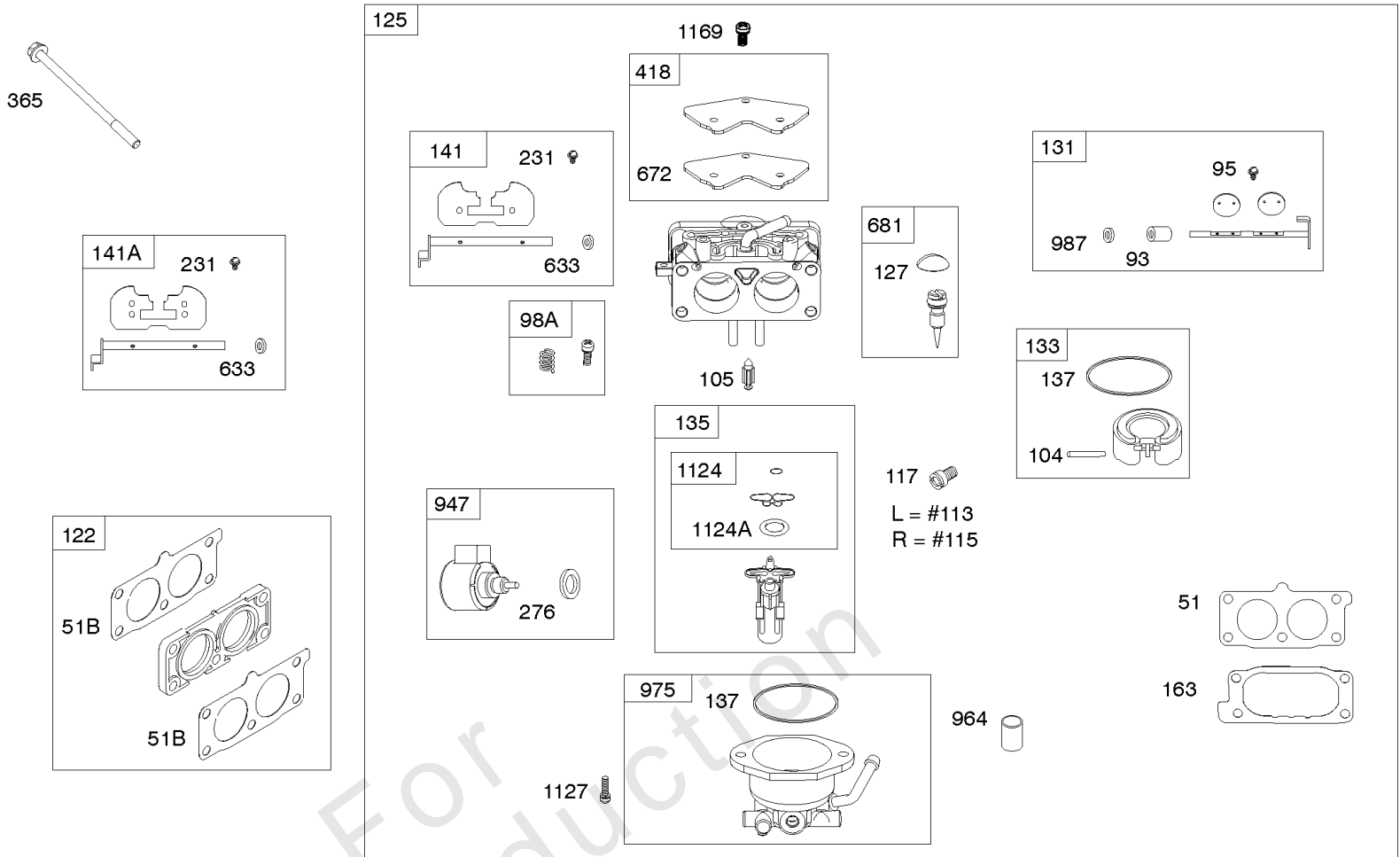


- 117A L = #114 R = #120
- 118 L = #108 R = #110
- 118A L = #108 R = #114

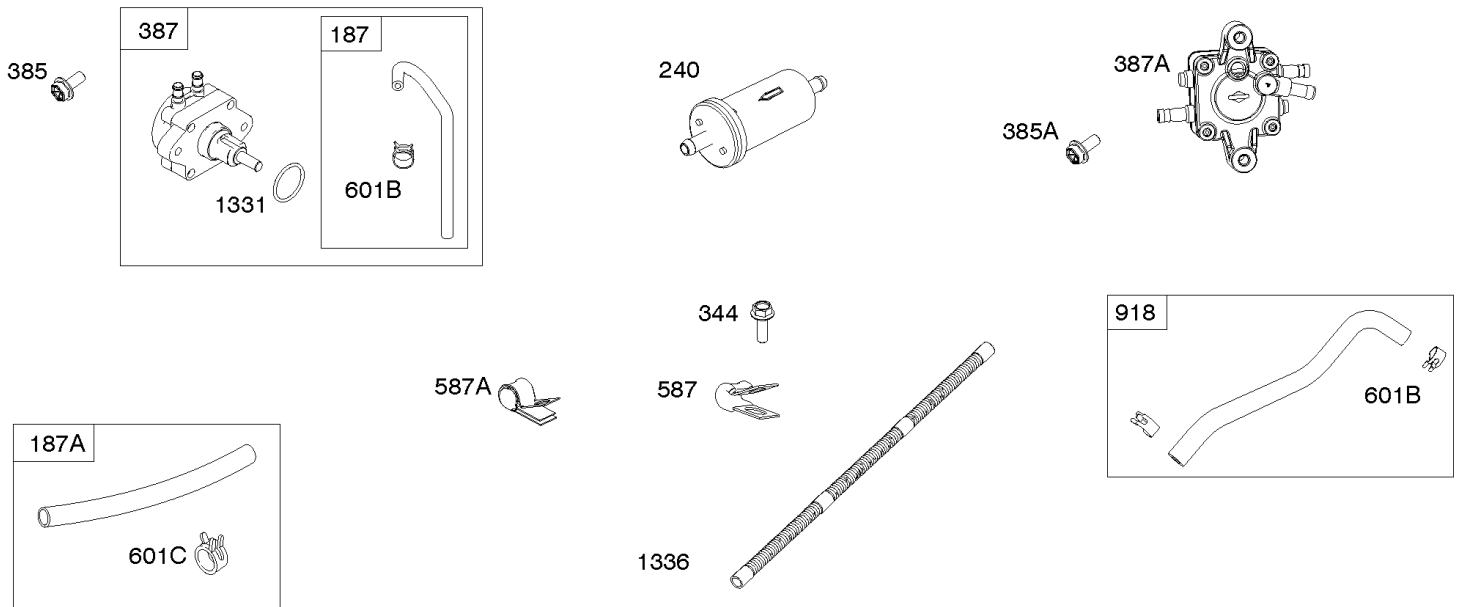


## Carburetor, Fuel Supply

REF NO	PART NO	QTY	DESCRIPTION
51B	841882		GASKET, Intake -(Intake Hole Diameter - 32mm)
93	845864		BUSHING, Throttle Shaft
95	690718		SCREW -(Throttle Valve)
98A	808177		KIT, Idle Speed -(Carburetor)
104	690882		PIN, Float Hinge
105	696136		VALVE, Float Needle
117	791501		JET, Main -(Standard) (Left Jet) (#113)
117	796251		JET, Main -(Standard) (Right Jet) (#115)
117A	842081		JET, Main -(Standard) (Right Jet) (#120)
117A	699733		JET, Main -(Standard) (Left Jet) (#114)
118	699457		JET, Main -(High Altitude) (Right Jet) (#110)
118A	843099		JET, Main -(High Altitude) (Left Jet) (#108)
118A	699733		JET, Main -(High Altitude) (Right Jet) (#114)
122	846245		SPACER, Carburetor
125	845275		CARBURETOR
127	844590		PLUG, Welch
131	842694		KIT, Throttle Shaft
133	841545		FLOAT, Carburetor
135	842677		TUBE, Fuel Transfer
137	841651		GASKET, Float Bowl
141	844876		KIT, Choke Shaft
163	807375		GASKET, Air Cleaner -(Carburetor Side)
187	844083		LINE, Fuel -(Formed Hose)
187A	791745		LINE, Fuel -(23 Inches )(Cut To Required Length)
187A	791766		LINE, Fuel -(15 Inches Long)(Cut To Required Length)
231	690718		SCREW -(Choke Valve)
240	845125		FILTER, Fuel
276	695410		WASHER, Sealing
344	841233		SCREW -(Cable Clamp) (M6x10mm)
365	841853		SCREW -(Carburetor/Throttle Body)
385	809876		SCREW -(Fuel Pump) (M5x22mm)
385A	807084		SCREW -(Fuel Pump) (M6x14mm)
387	844088		PUMP, Fuel
387A	844527		PUMP, Fuel
418	844844		PLATE, Carburetor Cover
587	846866		CLAMP, Cable
587A	807116		CLAMP, Cable -(Purge Line Hose)

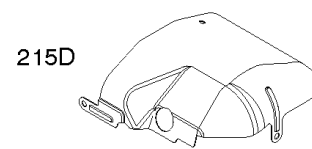
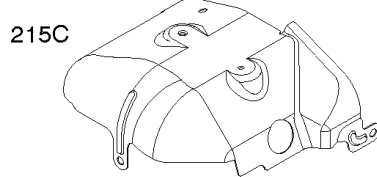
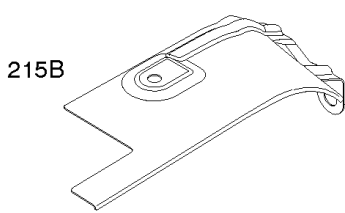
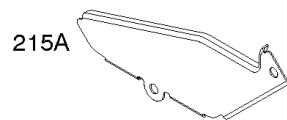
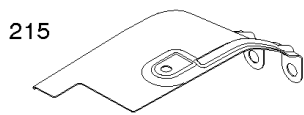
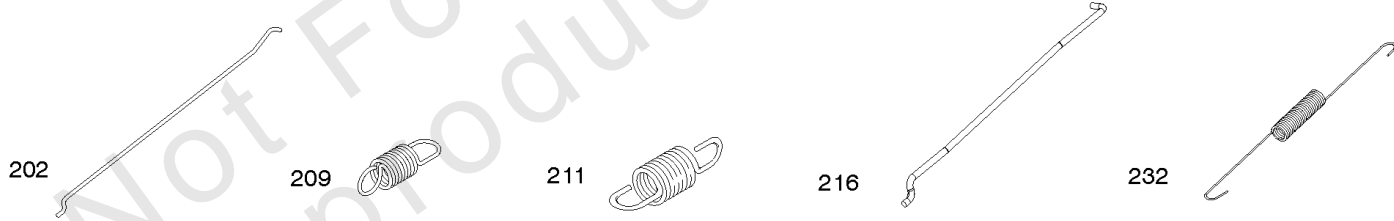
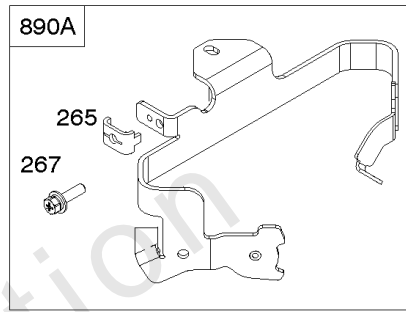
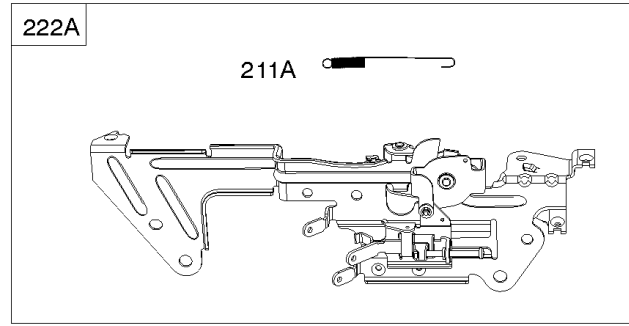
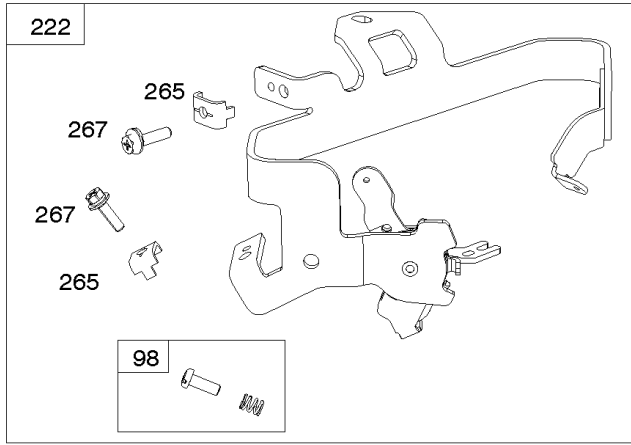


- 117A L = #114 R = #120
- 118 L = #108 R = #110
- 118A L = #108 R = #114



## Carburetor, Fuel Supply

REF NO	PART NO	QTY	DESCRIPTION
601B	691038		CLAMP, Hose -(Black)
601C	791850		CLAMP, Hose -(Green)
633	690722		SEAL, Choke/Throttle Shaft -(Choke Shaft)
672	842696		GASKET, Carburetor Plate
681	845290		KIT, Needle Valve
918	844526		HOSE, Vacuum
947	841546		SOLENOID, Fuel
964	807468		CAP, Carburetor -(Carburetor)
975	843551		BOWL, Float
987	808183		SEAL, Choke/Throttle Shaft
1124	842678		SEAL, O-Ring -(Fuel Transfer Tube)
1124A	841653		SEAL, O-Ring -(Fuel Transfer Tube)
1127	841621		SCREW -(Float Bowl to Carburetor Body)
1169	690990		SCREW -(Carburetor Cover Plate)
1331	809894		SEAL, O-Ring -(Fuel Pump)
1336	841015		SHIELD, Wire Protective



Not For  
Reproduction



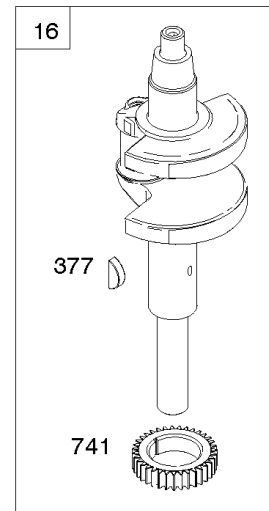
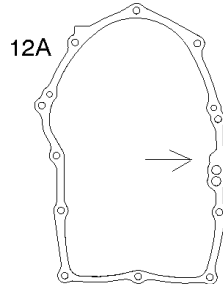
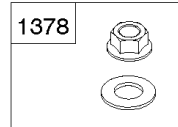
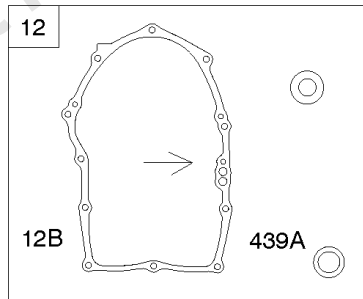
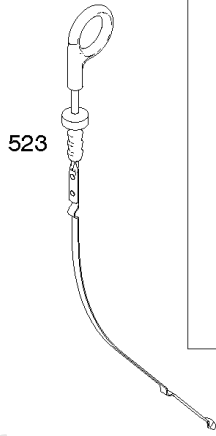
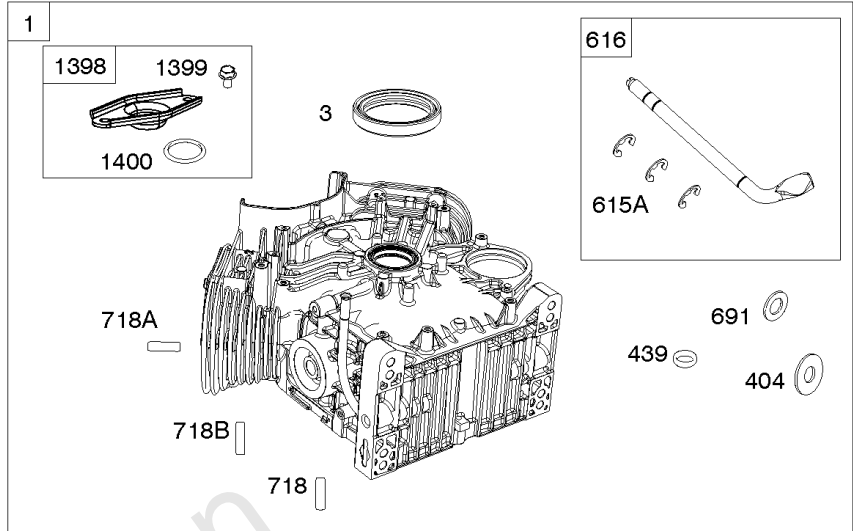
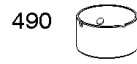
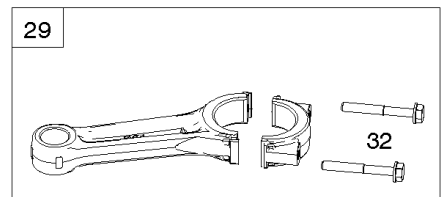
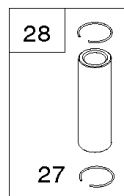
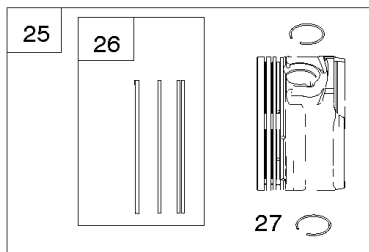
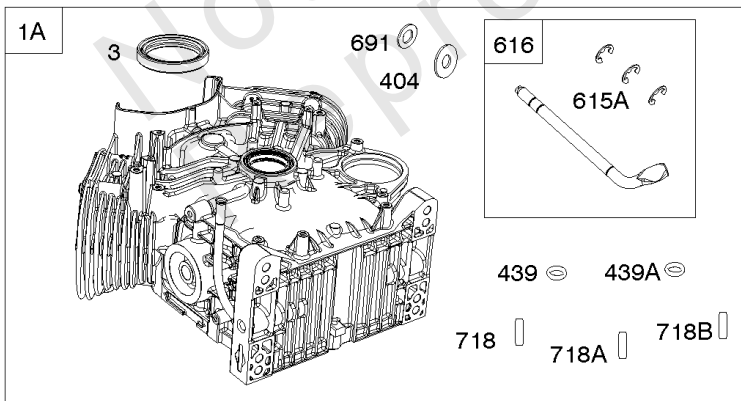
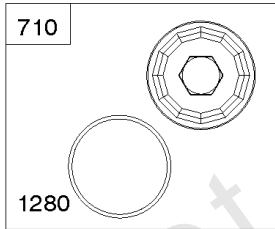
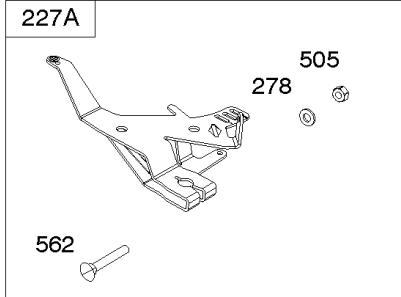
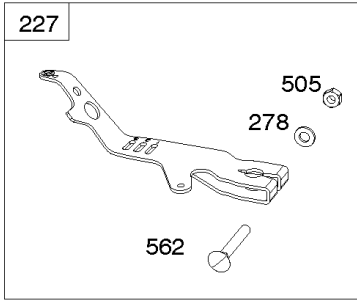
## Control Brackets, Springs/Rods, Air Guides

REF NO	PART NO	QTY	DESCRIPTION
98	843550		KIT, Idle Speed -(Control Bracket)
188	807084		SCREW -(Control Bracket) (M6x14mm)
202	842533		LINK, Mechanical Governor
209	841604		SPRING, Governor -(Navy)
211	809875		SPRING, Governed Idle -(White)
215	809728		GUIDE, Air -(Cylinder 1)
215A	809739		GUIDE, Air
215C	809738		GUIDE, Air -(Cylinder #1)
215D	809897		GUIDE, Air -(Cylinder #2)
215B	809737		GUIDE, Air -(Cylinder 2)
216	809788		LINK, Choke -Used Before Code Date 11030100
222	842615		BRACKET, Control
232	843248		SPRING/LINK, Governor
265	691024		CLAMP, Casing
267	841552		SCREW -(Casing Clamp) (M5x20mm)
890A	843358		BRACKET, Support
1334	690677		SCREW -(Air Guide) (M4x12mm)
1334A	692062		SCREW -(Air Guide) (M8x18mm)
1334B	807084		SCREW -(Air Guide) (M6x14mm)
1334C	841233		SCREW -(Air Guide) (M6x10mm)

1036

1319

1330



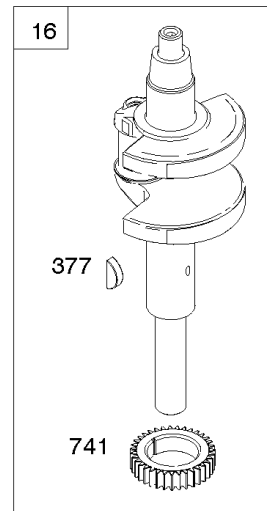
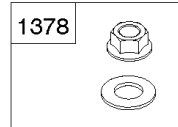
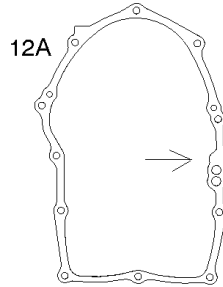
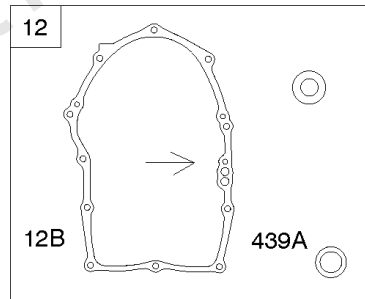
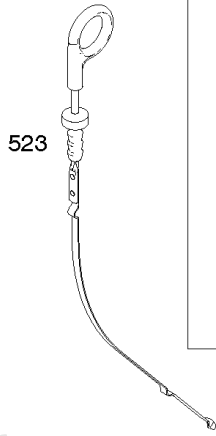
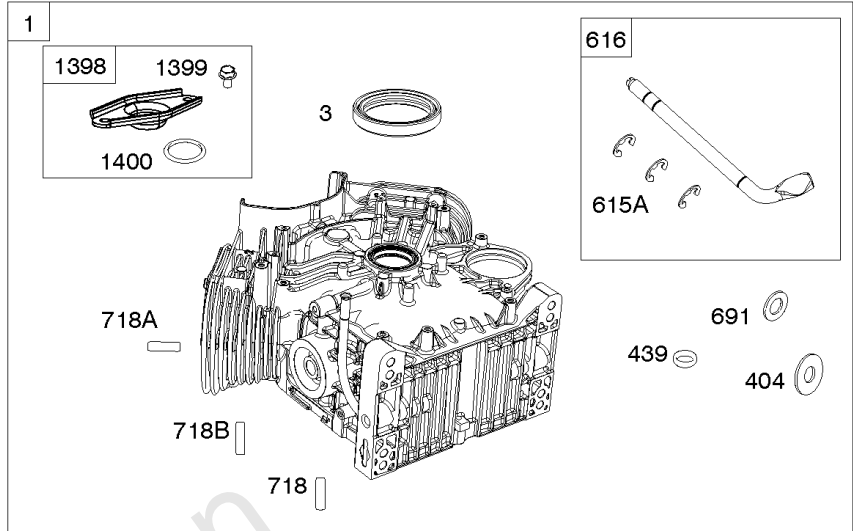
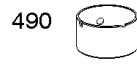
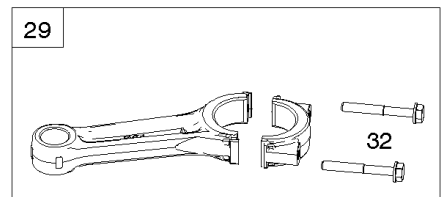
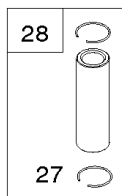
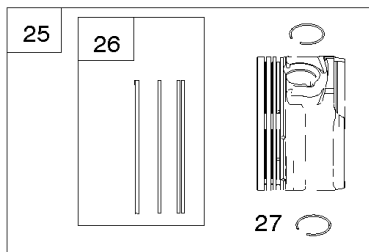
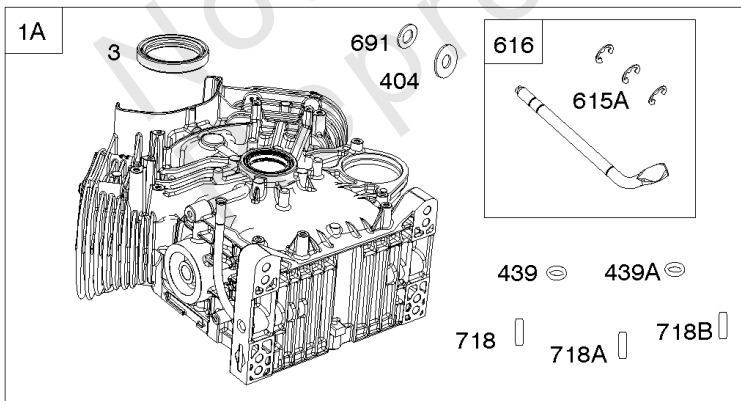
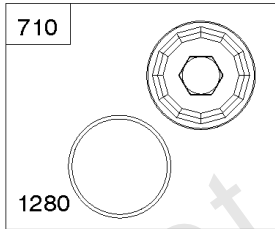
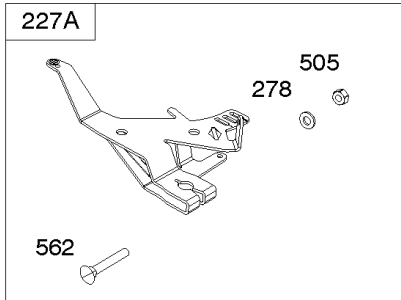
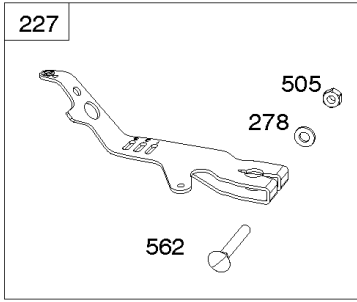
## Cylinders, Crankshaft, Piston/Rings/Rods

REF NO	PART NO	QTY	DESCRIPTION
1	845799		CYLINDER ASSEMBLY
3	841596		SEAL, Oil -(Magneto Side)
12	846037		GASKET, Crankcase -Used After Code Date 13072100
12A	844107		GASKET, Crankcase -Used Before Code Date 13072200
12B	843969		GASKET, Crankcase -Used After Code Date 13072100
16	842551		CRANKSHAFT
24	796335		KEY, Flywheel -(Steel) -Used After Code Date 07122700
24	222698S		KEY, Flywheel -(Aluminum) -Used Before Code Date 07122800
25	841931		PISTON ASSEMBLY -(.020 Oversize)
25	809790		PISTON ASSEMBLY -(Standard)
26	809972		SET, Ring -(Standard)
26	841932		SET, Ring -(.020 Oversize)
27	807351		LOCK, Piston Pin
28	807361		PIN, Piston
29	809275		ROD, Connecting
32	807363		SCREW -(Connecting Rod)
227	842534		LEVER, Governor Control
278	842122		WASHER -(Governor Control Lever)
377	691639		KEY, Timing
404	809436		WASHER -(Governor Crank)
439	692154		O-RING, Oil Gallery -(Crankcase Cover/Sump or Cylinder Assembly)
439A	846027		O-RING, Oil Gallery -(Crankcase Cover/Sump or Cylinder Assembly) -Used After Code Date 13072100
490	843433		BEARING, Magneto Side
505	690238		NUT -(Governor Lever)
523	842542		DIPSTICK
562	843344		BOLT -(Governor Lever) (M6x40mm)
615A	809533		RETAINER, Governor Shaft -(Cylinder)
616	844180		CRANK, Governor
691	809287		SEAL, Governor Shaft
718	690959		PIN, Locating -(Cylinder)
718A	809508		PIN, Locating -(Cylinder Head)
718B	845925		PIN, Locating -(Cylinder)
741	809432		GEAR, Timing
1036	-----		Label-Emissions -(Available From A Briggs & Stratton Authorized Dealer)

1036

1319

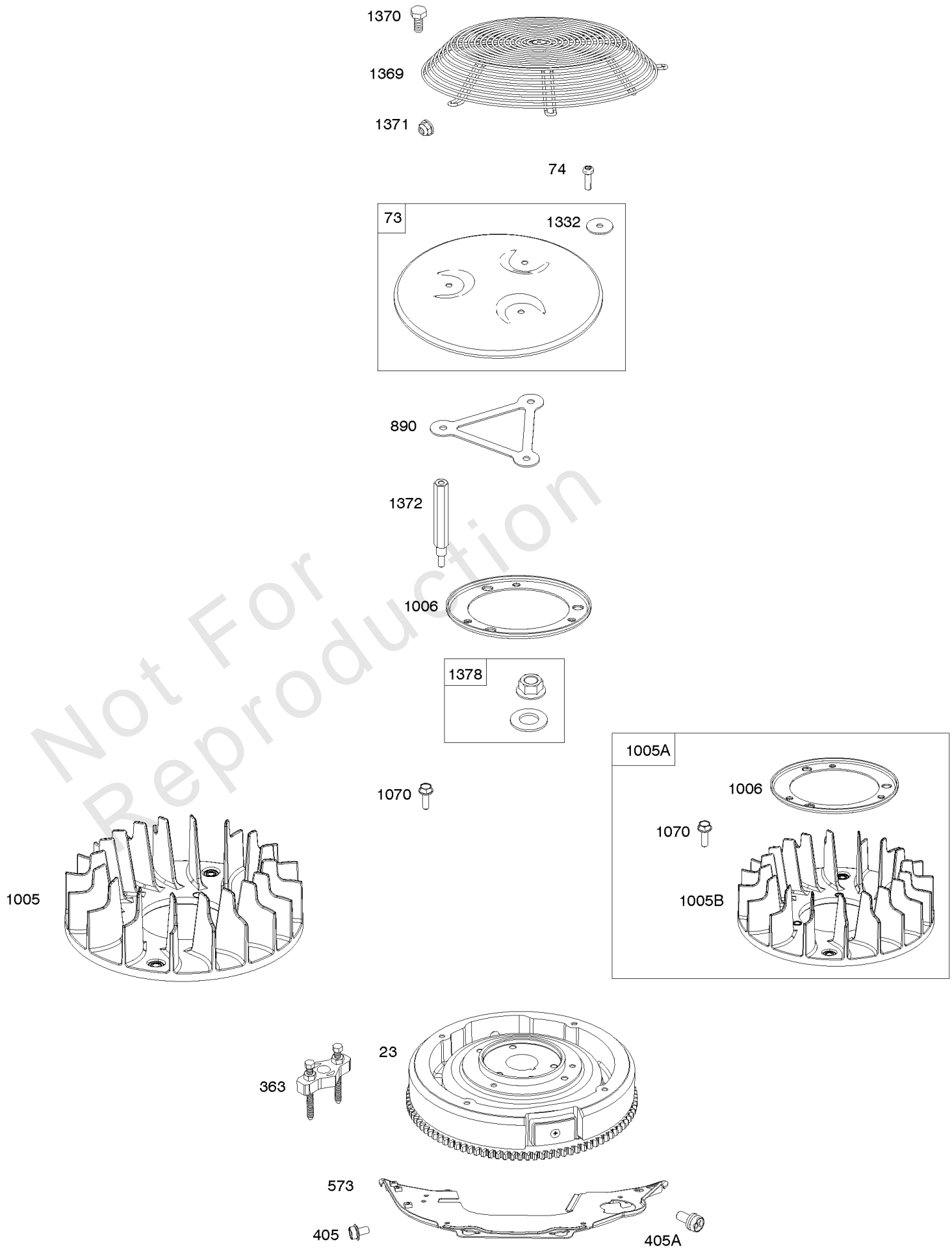
1330



## ***Cylinders, Crankshaft, Piston/Rings/Rods***

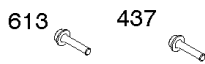
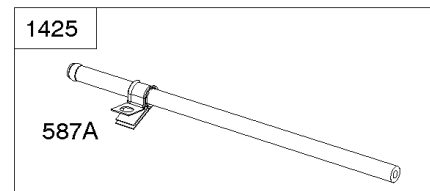
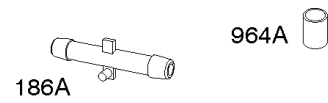
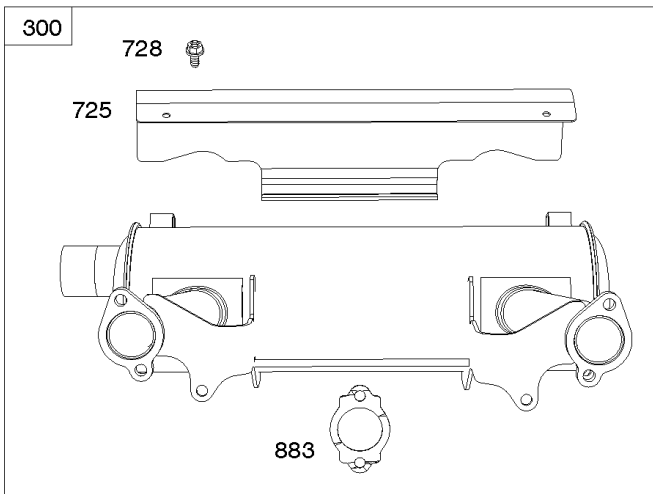
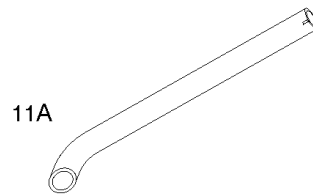
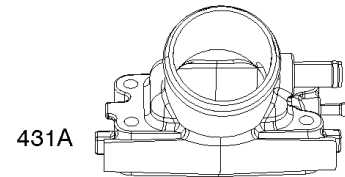
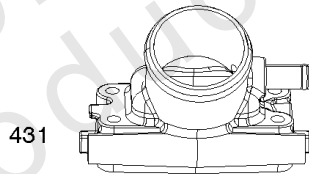
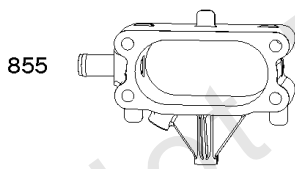
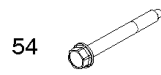
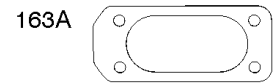
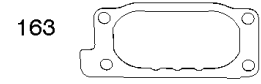
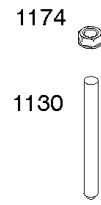
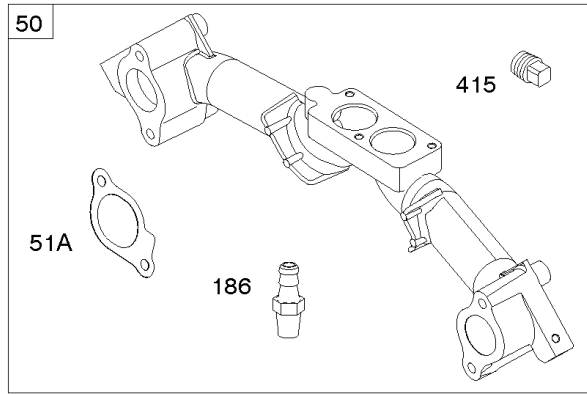
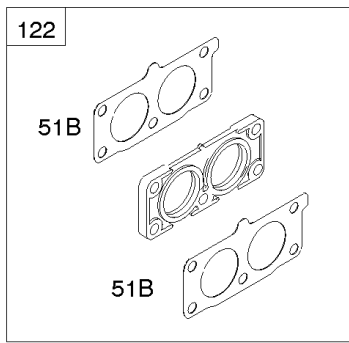
REF NO	PART NO	QTY	DESCRIPTION
1319	794467		LABEL, Warning
1330	272144		MANUAL, Repair
1378	844795		SET, Washer/Nut -(Flywheel)
1398	842191		COVER, Fuel Pump
1399	690932		SCREW -(Fuel Pump Cover) (M5x10mm)
1400	809894		SEAL, O-Ring -(Fuel Pump Cover)

Not For Reproduction



## ***Flywheel, Flywheel Fans, Rotating Screen***

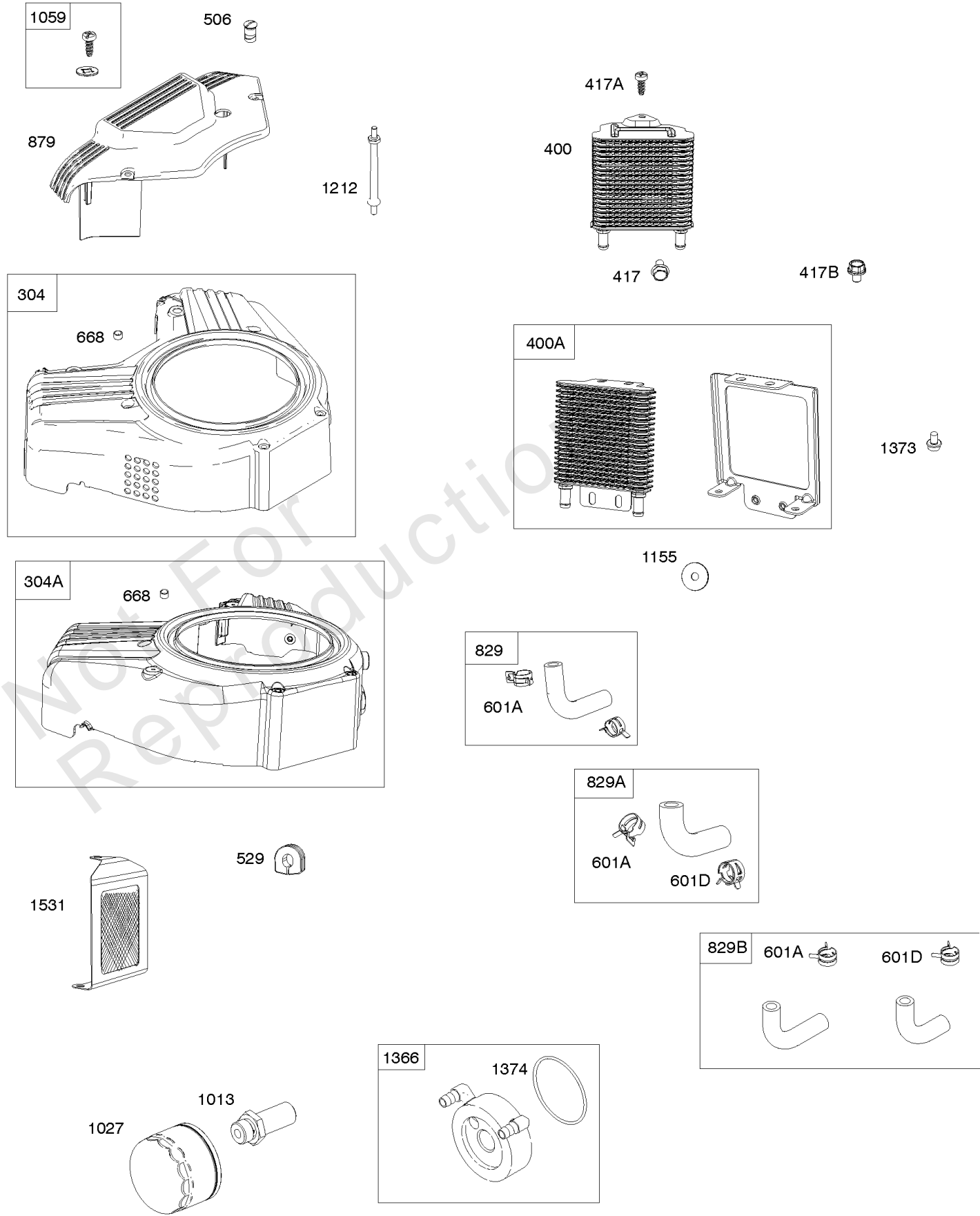
<b>REF NO</b>	<b>PART NO</b>	<b>QTY</b>	<b>DESCRIPTION</b>
23	844385		FLYWHEEL
73	841840		SCREEN, Rotating
74	809947		SCREW -(Rotating Screen)
363	19203		PULLER, Flywheel
405	841233		SCREW -(Back Plate) (M6x10mm)
405A	841735		SCREW -(Back Plate) (M6x14mm) -Used After Code Date 14121500
573	846840		PLATE, Back -(Without Weld Nuts)
890	809987		BRACKET, Support
1005	846996		FAN, Flywheel -Used After Code Date 15070600
1006	847198		RETAINER, Fan
1070	807435		SCREW -(Flywheel Fan) (M6x20mm)
1332	809948		WASHER -(Rotating Screen)
1369	842858		GUARD, Flywheel Fan
1370	841233		SCREW -(Flywheel Fan Guard) (M6x10mm)
1371	841537		NUT -(Flywheel Fan Guard)
1372	809946		STUD -(Rotating Screen)
1378	844795		SET, Washer/Nut -(Flywheel)





## Intake Manifold, Intake Elbows, Muffler

REF NO	PART NO	QTY	DESCRIPTION
11	842541		TUBE, Breather
50	844341		MANIFOLD, Intake
51	809910		GASKET, Intake
51A	841592		GASKET, Intake
51B	841882		GASKET, Intake -(Intake Hole Diameter - 32mm)
54	844656		SCREW -(Intake Manifold) (M8x69mm) -Used After Code Date 10092900
122	846245		SPACER, Carburetor
163	807375		GASKET, Air Cleaner -(Carburetor Side)
186	691764		CONNECTOR, Hose -(Intake Manifold) (Sealant Patch)
186	844568		CONNECTOR, Hose -(Intake Manifold) (Without Sealant Patch)
186A	845121		CONNECTOR, Hose -(EVAP)
415	794903		PLUG
431A	845862		MANIFOLD, Intake
437	809743		SCREW -(Exhaust Manifold) (M8x25mm)
527	845268		CLAMP, Hose -(Purge Line Hose) -Used Before Code Date 10070700
587A	807116		CLAMP, Cable -(Purge Line Hose)
601	844405		CLAMP, Hose -(Breather Tube) -Used After Code Date 07121300
601E	841499		CLAMP, Hose -(Breather Tube) -Used Before Code Date 07121400
613	692062		SCREW -(Muffler) (M8x18mm)
725	841132		SHIELD, Heat
728	692067		SCREW -(Heat Shield)
883	809872		GASKET, Exhaust
964A	590799		CAP, Connector -(EVAP)
1130	841590		STUD -(Intake Manifold) -Used Before Code Date 10093000
1174	842067		NUT -(Intake Manifold) -Used Before Code Date 10093000
1425	844712		HOSE, Purge Line



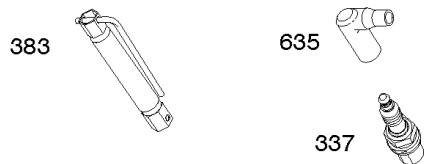
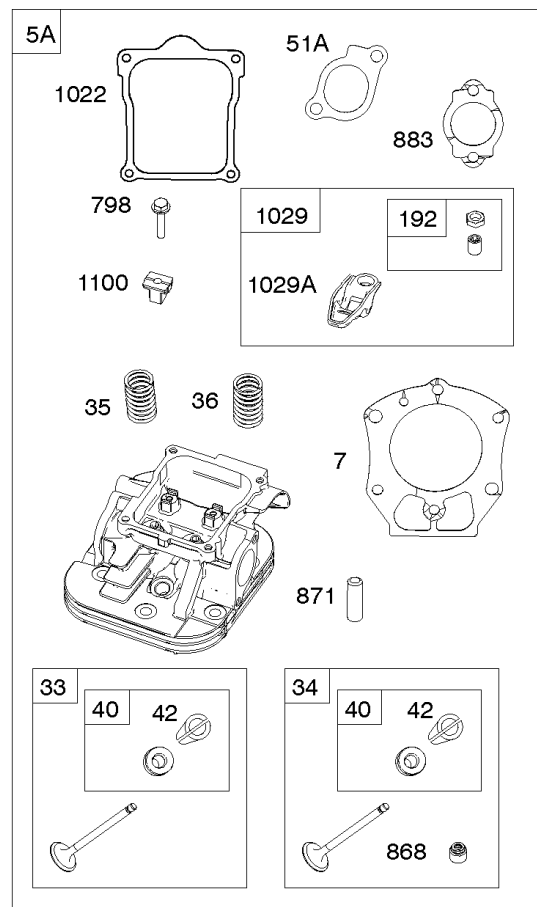
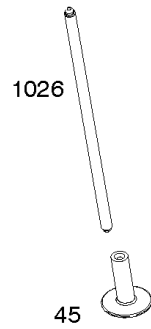
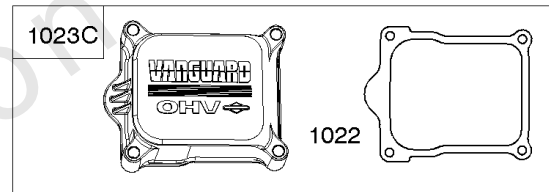
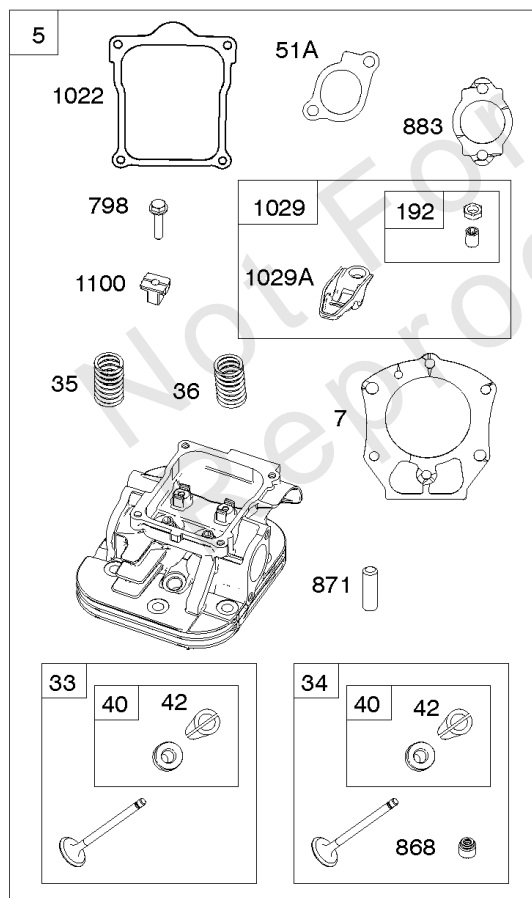
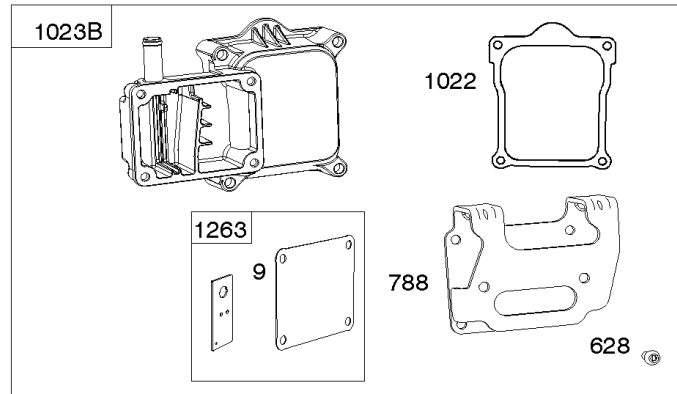
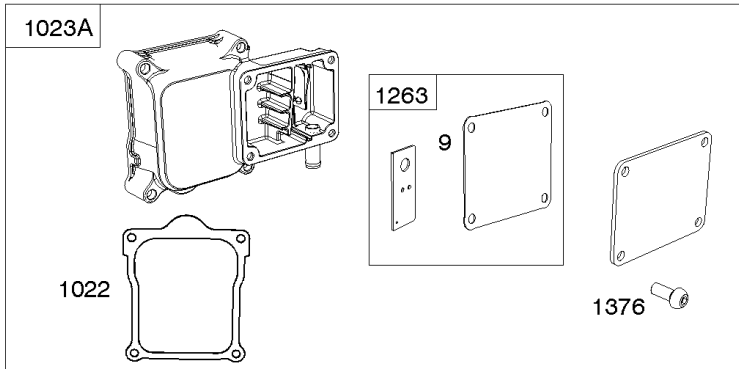
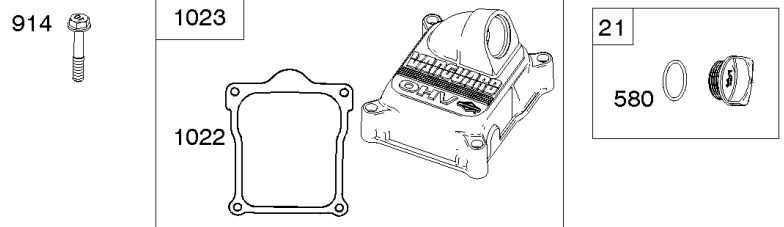
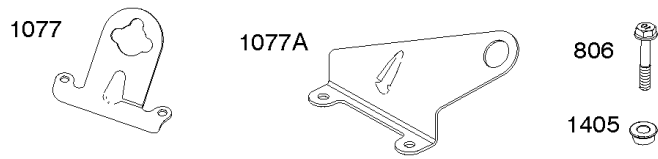
## Oil Cooler, Blower Housings

REF NO	PART NO	QTY	DESCRIPTION
304	846481		HOUSING, Blower -(Oil Cooler)
400	846249		COOLER, Oil -Used After Code Date 14052200
400A	846489		COOLER, Oil -Used Before Code Date 14052300
417	841233		SCREW -(Oil Cooler) (Bottom) (M6x10mm)
417A	846250		SCREW -(Oil Cooler) (Top) (M6x16mm) -Used After Code Date 14050200
417B	843345		SCREW -(Oil Cooler) (M6x8mm) -Used Before Code Date 13072700
506	809957		SCREW -(Carburetor/EFI Cover) -Used Before Code Date 11041800
529	690744		GROMMET -(Magneto Armature Wires)
601A	841597		CLAMP, Hose -(Oil Cooler Hose)
601D	845209		CLAMP, Hose -(Oil Cooler Hose)
668	841974		SPACER -(Blower Housing)
829	846248		HOSE, Oil Cooler -Used After Code Date 15052200
829A	846247		HOSE, Oil Cooler -Used After Code Date 15052200
829B	846155		HOSE, Oil Cooler -Used Before Code Date 15052300
879	842526		COVER, Carburetor/EFI
1013	841602		NIPPLE, Oil Filter
1027	842921		FILTER, Oil
1059	845300		KIT, Screw/Washer -(Carburetor/EFI Cover) -Used After Code Date 11041700
1155	806647		WASHER -(Oil Cooler) -Used Before Code Date 13072700
1212	809958		STUD -(Blower Housing)
1366	841510		DIVERTER, Oil Cooler
1373	841233		SCREW -(Oil Cooler Bracket) -Used Before Code Date 13072600
1374	841506		SEAL, O-Ring -(Oil Cooler Diverter)

## Replacement Engine - US & Canada

REF NO	PART NO	QTY	DESCRIPTION
	5437770013J1	1	Replacement Engine
	-----		Top No-Load Speed: 3800 -Trim: J1

Not For Reproduction



## Rocker Arm Covers, Cylinder Heads

REF NO	PART NO	QTY	DESCRIPTION
5	845588		HEAD, Cylinder -(Cylinder 1)
5A	845590		HEAD, Cylinder -(Cylinder 2)
7	809730		GASKET, Cylinder Head
9	842545		GASKET, Breather
13	809784		SCREW -(Cylinder Head) (M9x70mm)
21	843464		CAP, Oil Fill
33	844787		VALVE, Exhaust
34	843730		VALVE, Intake
35	845589		SPRING, Valve -(Intake) (Intake) (Pink)
35A	809374		SPRING, Valve -(Intake) (Intake) (White)
36	845589		SPRING, Valve -(Exhaust) (Intake) (Pink)
36A	809374		SPRING, Valve -(Exhaust) (Intake) (White)
40	844788		RETAINER, Valve
42	807683		KEEPER, Valve
45	809785		TAPPET, Valve
51A	841592		GASKET, Intake
192	690083		ADJUSTER, Rocker Arm
337	792015		PLUG, Spark
383	19576S		WRENCH, Spark Plug
580	809894		SEAL, O-Ring -(Oil Fill Cap)
628	842547		SCREW -(Fuel Pump Bracket)
635	692076		BOOT, Spark Plug
788	844530		BRACKET, Fuel Pump
798	691492		SCREW -(Rocker Arm)
806	807357		SCREW -(Lifting Bracket)
868	691963		SEAL, Valve
871	692057		BUSHING, Valve Guide
883	809872		GASKET, Exhaust
914	807357		SCREW -(Rocker Cover) (M6x40mm)
1022	809732		GASKET, Rocker Cover
1023B	844529		COVER, Rocker -(Cylinder 1)
1026	809783		ROD, Push -(Intake and Exhaust)
1029	690972		ARM, Rocker
1029A	807323		ARM, Rocker
1077	809729		BRACKET, Lifting
1077A	842616		BRACKET, Lifting
1100	791959		PIVOT, Rocker Arm
1263	842544		REED, Breather
1376	842547		SCREW -(Breather Reed Cover) (M6x14mm)
1405	690941		NUT -(Lifting Bracket) -Used Before Code Date 15020100

