

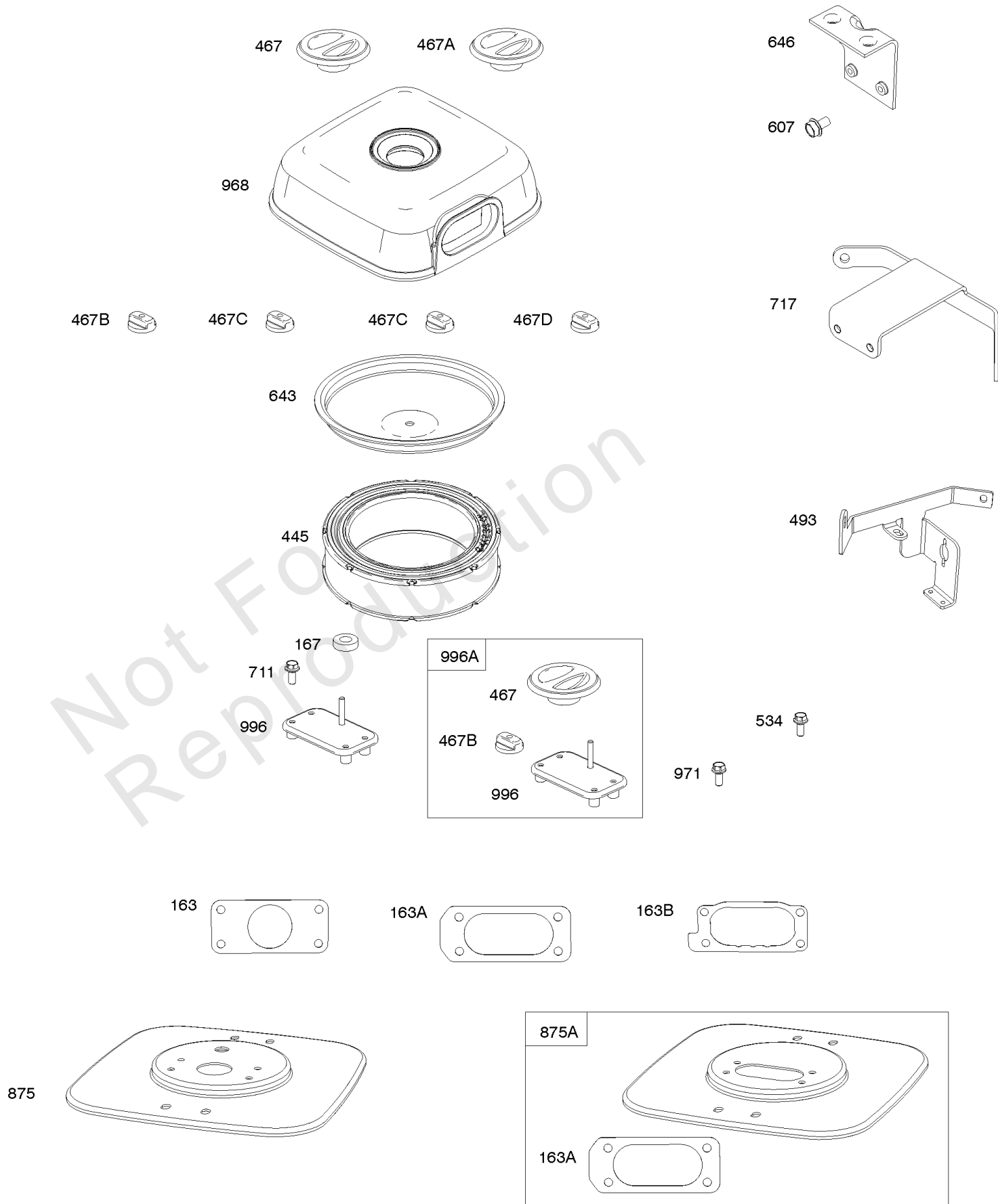


Parts Manual

Mfg. No: 613277-0004-E1

Model Components	Page
Air Cleaner.....	4
Air Guides, Muffler.....	6
Armatures, Alternators, Regulators, Electric Starter.....	8
Blower Housings, Carburetor Covers, Flywheel Fans.....	10
Carburetor Mixers, Fuel Lines.....	12
Control Brackets, Actuators, Springs, Links.....	14
Crankcase Covers, Camshafts.....	16
Crankshaft, Piston/Rings/Connecting Rod, Oil Cooler.....	18
Cylinder Heads, Rocker Covers.....	20
Cylinders, Governor Control Levers.....	24
Engine Gasket Set, Valve Gasket Set.....	26
Intake Manifolds, Intake Elbows, Mixer Spacers.....	28
Replacement Engine - US & Canada.....	30

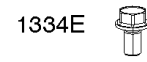
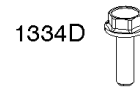
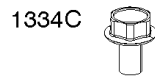
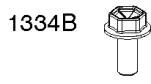
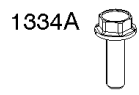
Not For
Reproduction



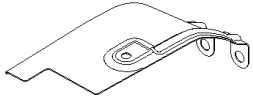
Not For Reproduction

Air Cleaner

REF NO	PART NO	QTY	DESCRIPTION
163A	843117		GASKET, Air Cleaner
167	841855		SEAL, Air Cleaner Nut -Used Before Code Date 12041900
445	841856		FILTER, A/C Cartridge
467	846008		KNOB, Air Cleaner Cover -(M8) -Used After Code Date 14012700
467A	841846		KNOB, Air Cleaner Cover -(M6) -Used Before Code Date 14012800
467C	844618		KNOB, Air Cleaner Cover -(M6) -Used Before Code Date 14012800
467B	846007		KNOB, Air Cleaner Cover -(M8) -Used After Code Date 14012700
467D	846432		KNOB, Air Cleaner Cover -(M8) -Used After Code Date 15021600
493	844419		BRACKET, Mounting -(Actuator)
534	692062		SCREW -(Air Cleaner) (M8x18mm)
607	841233		SCREW -(Air Cleaner Brace)
643	844932		RETAINER, Air Filter
711	807385		SCREW -(Carburetor Shield)
717	843449		BRACKET, Air Cleaner
875A	843118		BASE, Air Cleaner
968	843447		COVER, Air Cleaner
971	807385		SCREW -(Air Cleaner Base to Carburetor/Throttle Body) (M6x35mm)
996	846006		SHIELD, Carburetor -(M8 Stud) -Used After Code Date 14012700
996A	846013		SHIELD, Carburetor -(M8 Stud) -Used Before Code Date 14012800



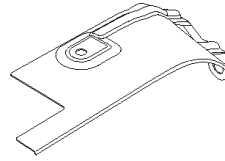
215



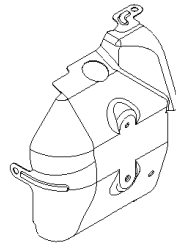
215A



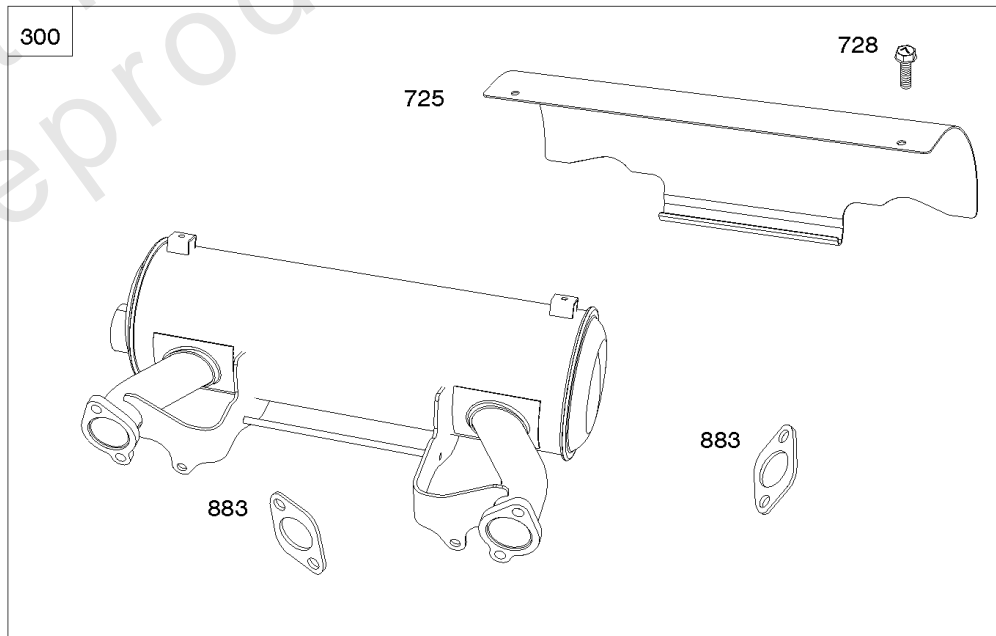
215B



215C

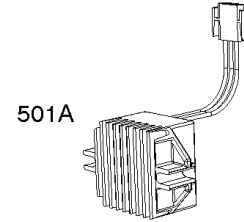
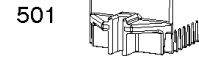
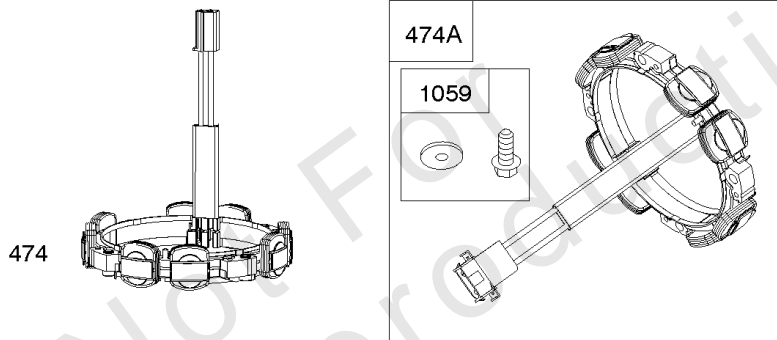
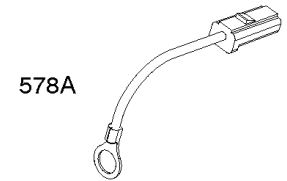
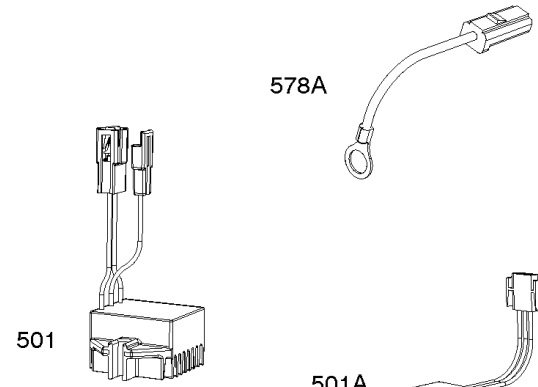
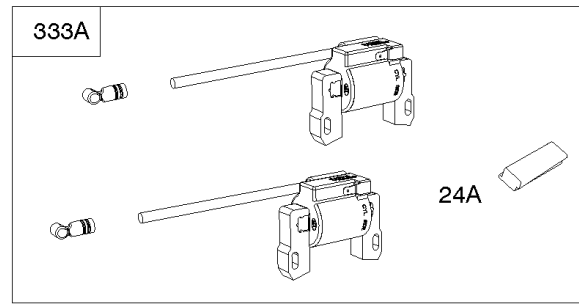
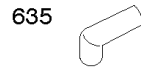
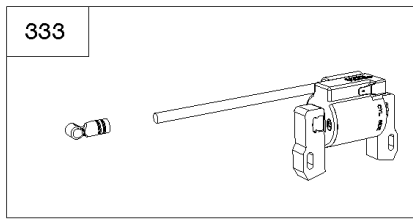


215D

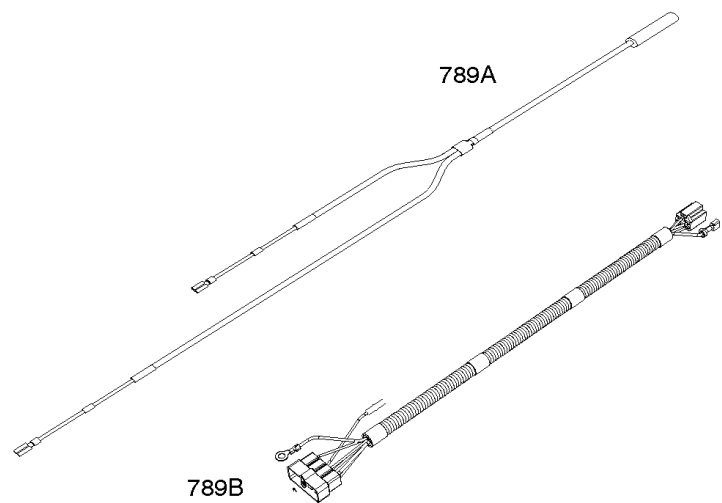
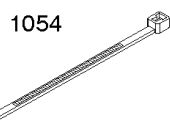
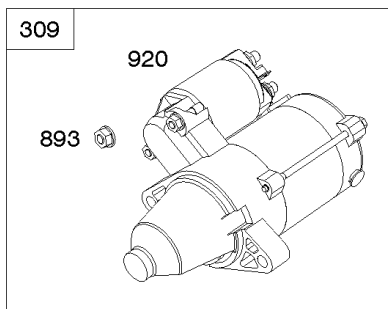
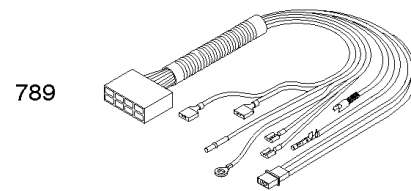
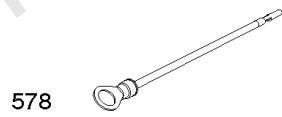


Air Guides, Muffler

REF NO	PART NO	QTY	DESCRIPTION
215	809728		GUIDE, Air -(Cylinder 1)
215A	809739		GUIDE, Air
215B	809737		GUIDE, Air -(Cylinder 2)
215C	809738		GUIDE, Air -(Cylinder #1)
215D	809897		GUIDE, Air -(Cylinder #2)
437	809743		SCREW -(Exhaust Manifold) (M8x25mm)
613	692062		SCREW -(Muffler) (M8x18mm)
883	809872		GASKET, Exhaust
1334	690677		SCREW -(Air Guide) (M4x12mm)
1334A	807435		SCREW -(Air Guide) (M6x20mm)
1334B	807084		SCREW -(Air Guide) (M6x14mm)
1334C	841233		SCREW -(Air Guide) (M6x10mm)
1334E	692056		SCREW -(Air Guide) (M8x14mm)
1334D	692062		SCREW -(Air Guide) (M6x18mm)

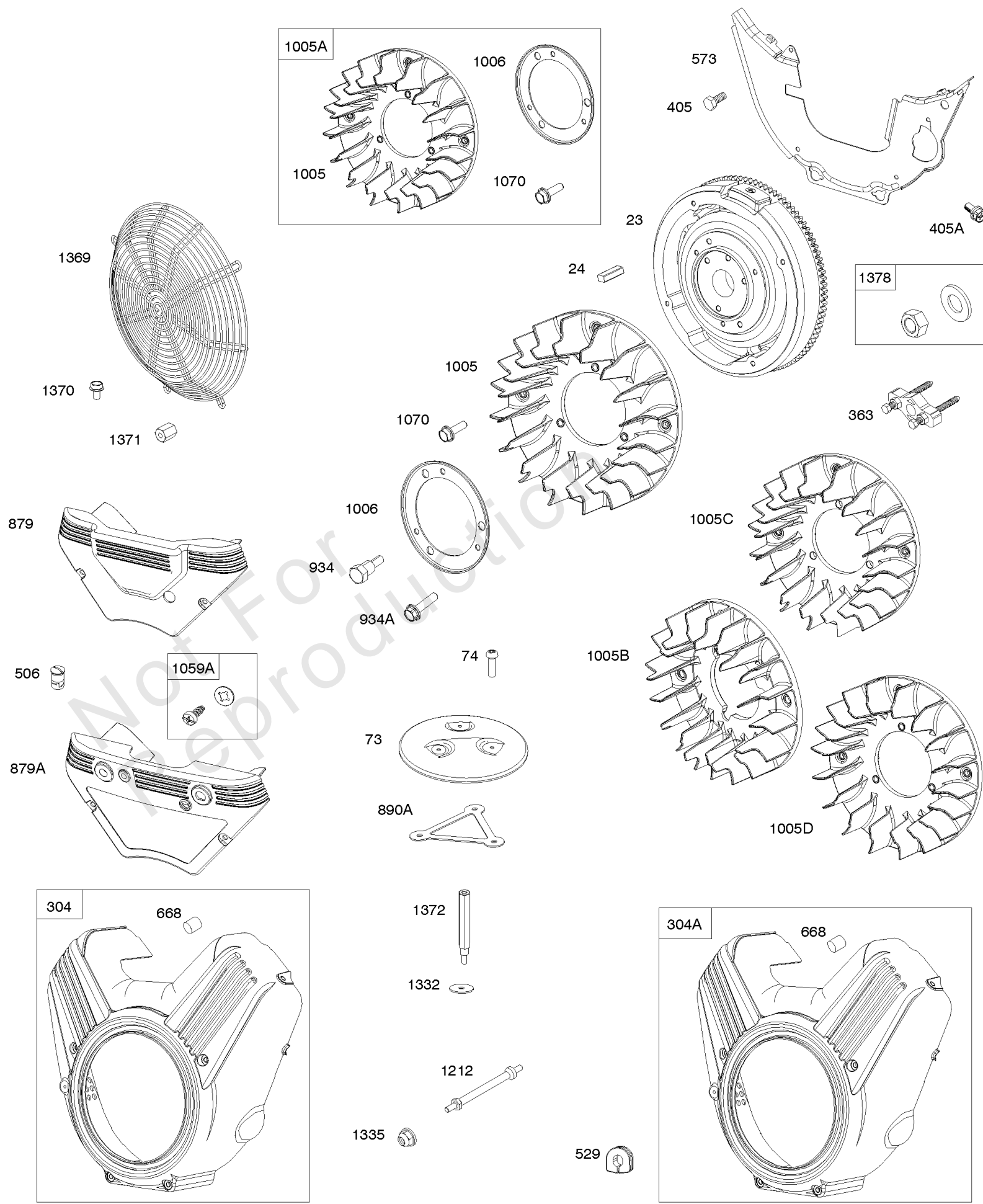


Not For Reproduction



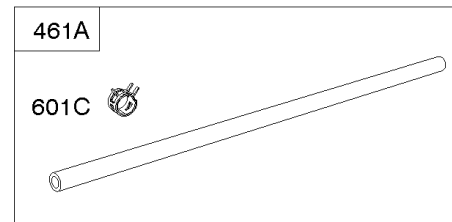
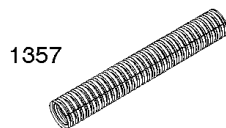
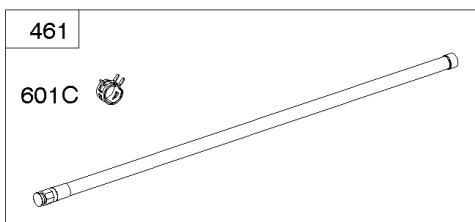
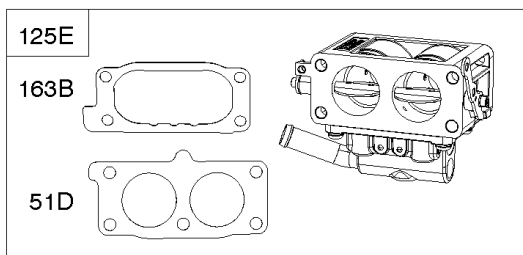
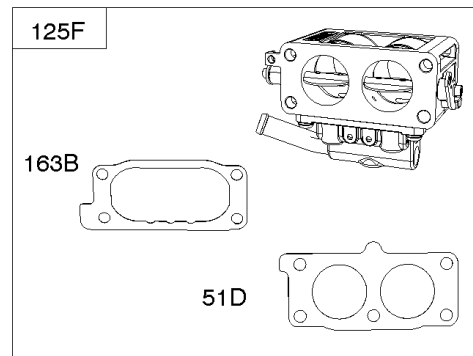
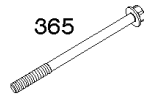
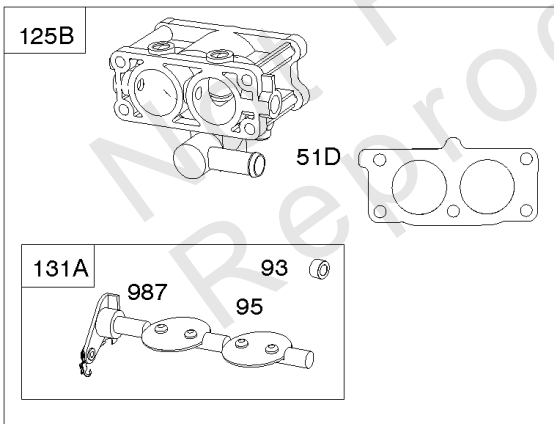
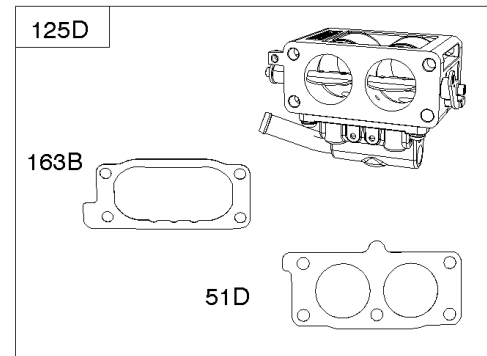
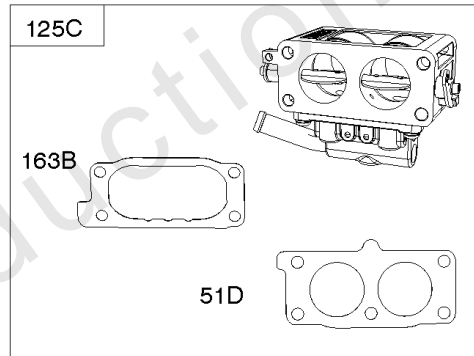
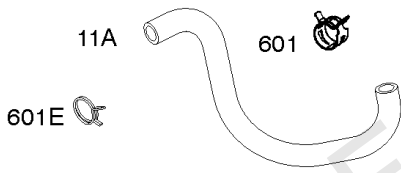
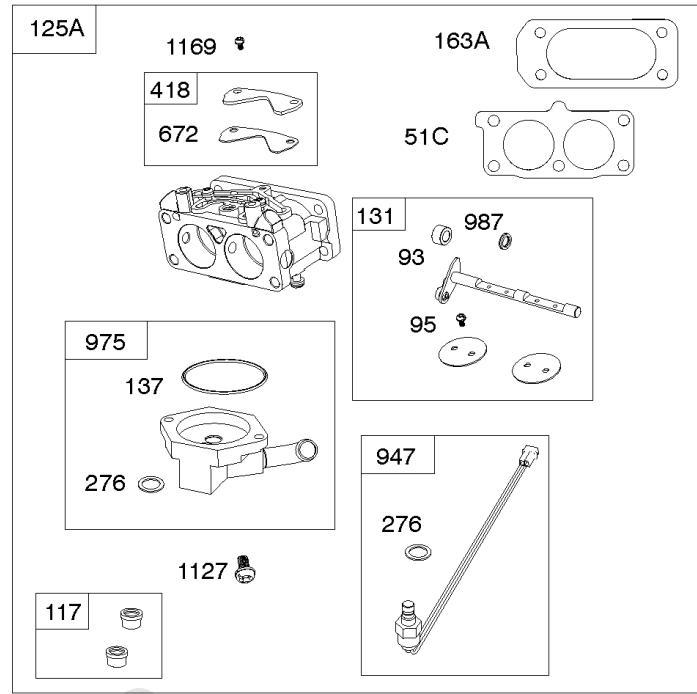
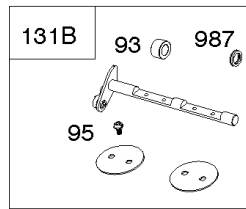
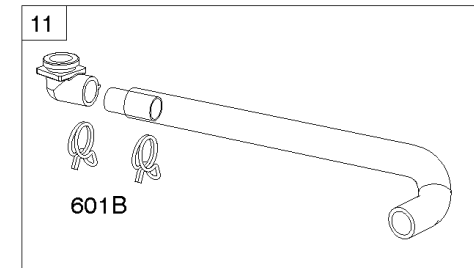
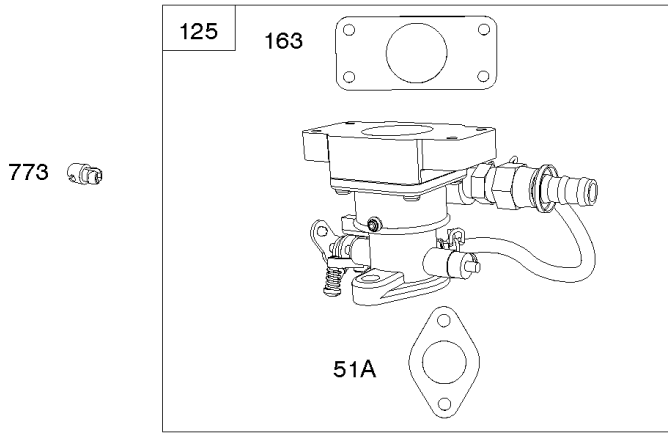
Armatures, Alternators, Regulators, Electric Starter

REF NO	PART NO	QTY	DESCRIPTION
24A	843837		KEY, Flywheel -(Offset Key) (Aluminum)
309	845760		MOTOR, Starter
333	845126		ARMATURE, Magneto -Used After Code Date 10012800
333A	843860		ARMATURE, Magneto -(Includes Offset Flywheel Key) -Used Before Code Date 10012900
334	692066		SCREW -(Magneto Armature) (M4x23mm)
344	841233		SCREW -(Cable Clamp) (M6x10mm)
474	846882		ALTERNATOR -(20 Amp) -Used After Code Date 15110100
474A	696579		ALTERNATOR -Used Before Code Date 15110200
501	847385		REGULATOR -Used After Code Date 15110100
501A	691573		REGULATOR -Used Before Code Date 15110200
526	690717		SCREW -(Regulator) (M6x30mm)
527	690423		CLAMP, Tube
529	690744		GROMMET -(Magneto Armature Wires)
578	844407		WIRE ASSEMBLY
578A	846899		WIRE ASSEMBLY -(Regulator to Starter Motor) (Red) -Used After Code Date 15110100
587	846866		CLAMP, Cable
587A	844414		CLAMP, Cable
635	692076		BOOT, Spark Plug
697	690711		SCREW -(Starter Motor) (Drive Cap) (M8x38mm)
789A	844406		HARNESS, Wiring
893	845758		NUT -(Starter Solenoid)
920	846737		SOLENOID, Starter
1054	280275		TIE, Cable
1059	698516		KIT, Screw/Washer -(Alternator)
1119	691552		SCREW -(Alternator) (M4x30mm)



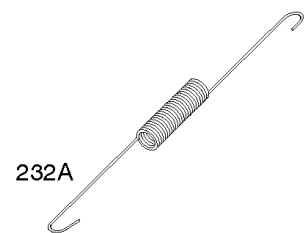
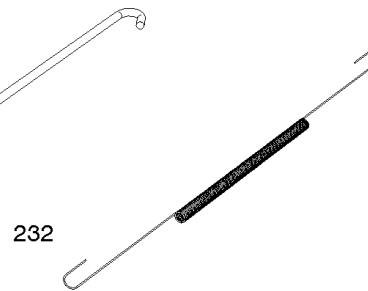
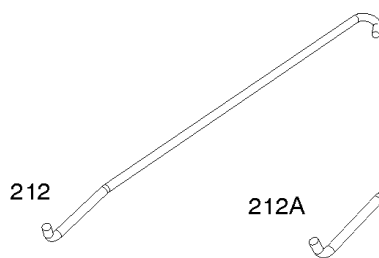
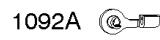
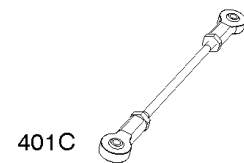
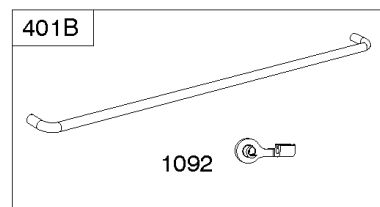
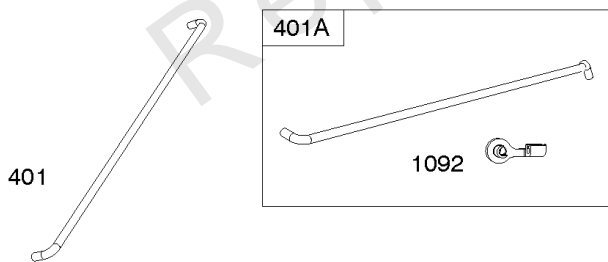
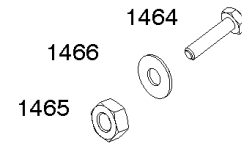
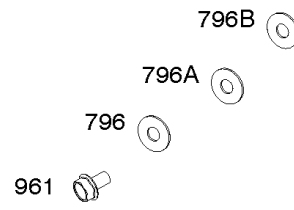
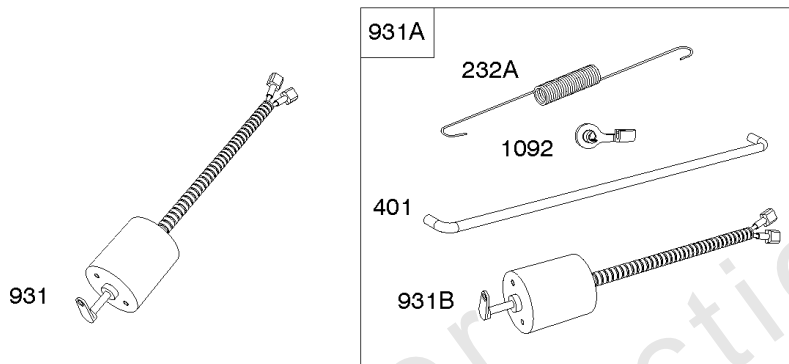
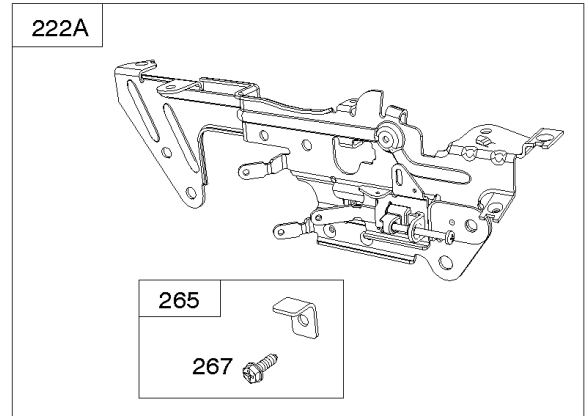
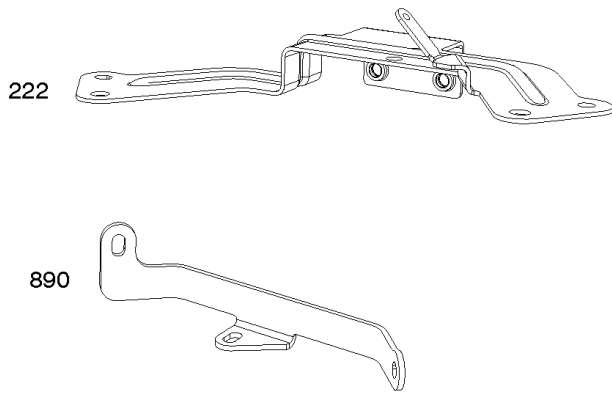
Blower Housings, Carburetor Covers, Flywheel Fans

REF NO	PART NO	QTY	DESCRIPTION
23	844404		FLYWHEEL -Used After Code Date 08073100
24	222698S		KEY, Flywheel -(Aluminum) -Used Before Code Date 07122800
24	796335		KEY, Flywheel -(Steel) -Used After Code Date 07122700
73	841840		SCREEN, Rotating
74	809947		SCREW -(Rotating Screen) (M6x20mm)
304	845894		HOUSING, Blower -(Oil Cooler) -Used After Code Date 11041200 -Used Before Code Date 13082300
304	843442		HOUSING, Blower -(Oil Cooler) -Used Before Code Date 11041300
304A	845894		HOUSING, Blower -(Oil Cooler) -Used After Code Date 13082200
363	19203		PULLER, Flywheel
405	841233		SCREW -(Back Plate) (M6x10mm)
405A	841735		SCREW -(Back Plate) (M6x14mm)
506	809957		SCREW -(Carburetor/EFI Cover) -Used Before Code Date 11041300
529	690744		GROMMET -(Magneto Armature Wires)
573	846840		PLATE, Back -(Without Weld Nuts)
668	841974		SPACER -(Blower Housing)
879	843450		COVER, Carburetor/EFI
890A	809987		BRACKET, Support
934	841205		SCREW -(Fan Retainer) (M6x24mm)
934A	807421		SCREW -(Fan Retainer) (M6x25mm)
1005B	843436		FAN, Flywheel -Used Before Code Date 15080700
1005D	847020		FAN, Flywheel -Used After Code Date 15080600
1006	847198		RETAINER, Fan
1059A	845300		KIT, Screw/Washer -(Carburetor/EFI Cover) -Used After Code Date 11041300
1070	807435		SCREW -(Flywheel Fan) (M6x20mm)
1212	809958		STUD -(Blower Housing)
1332	809948		WASHER -(Rotating Screen)
1335	690939		NUT -(Blower Housing)
1372	809946		STUD -(Rotating Screen)
1378	844795		SET, Washer/Nut -(Flywheel)



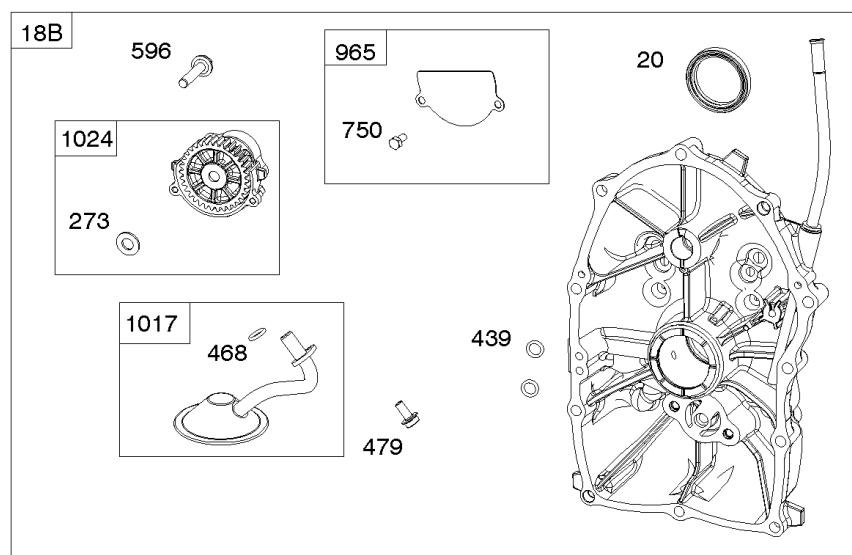
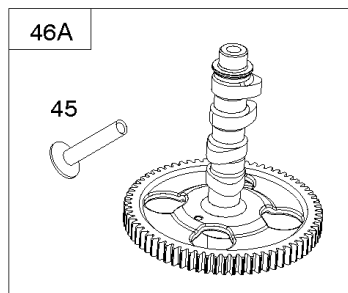
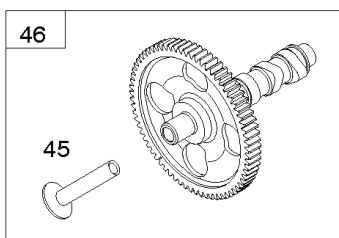
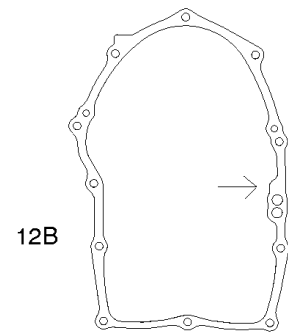
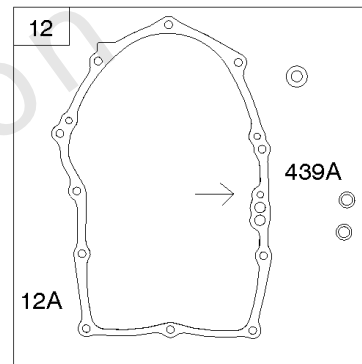
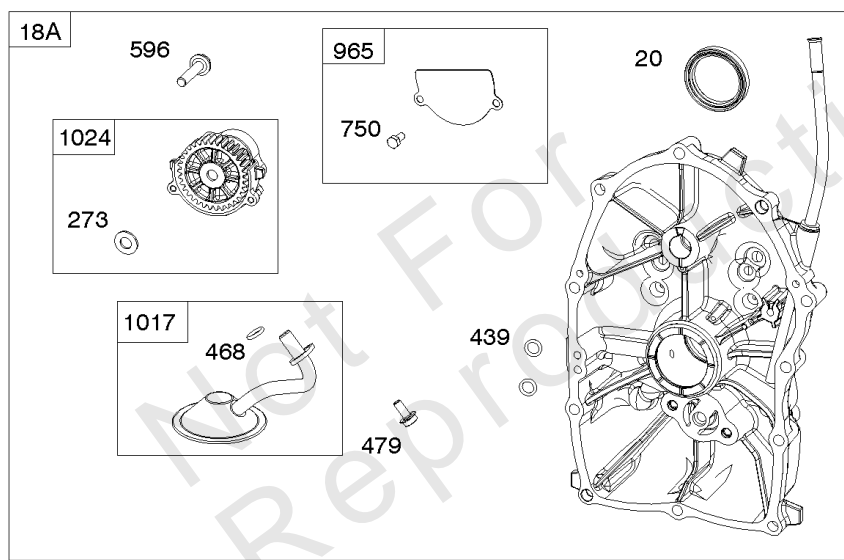
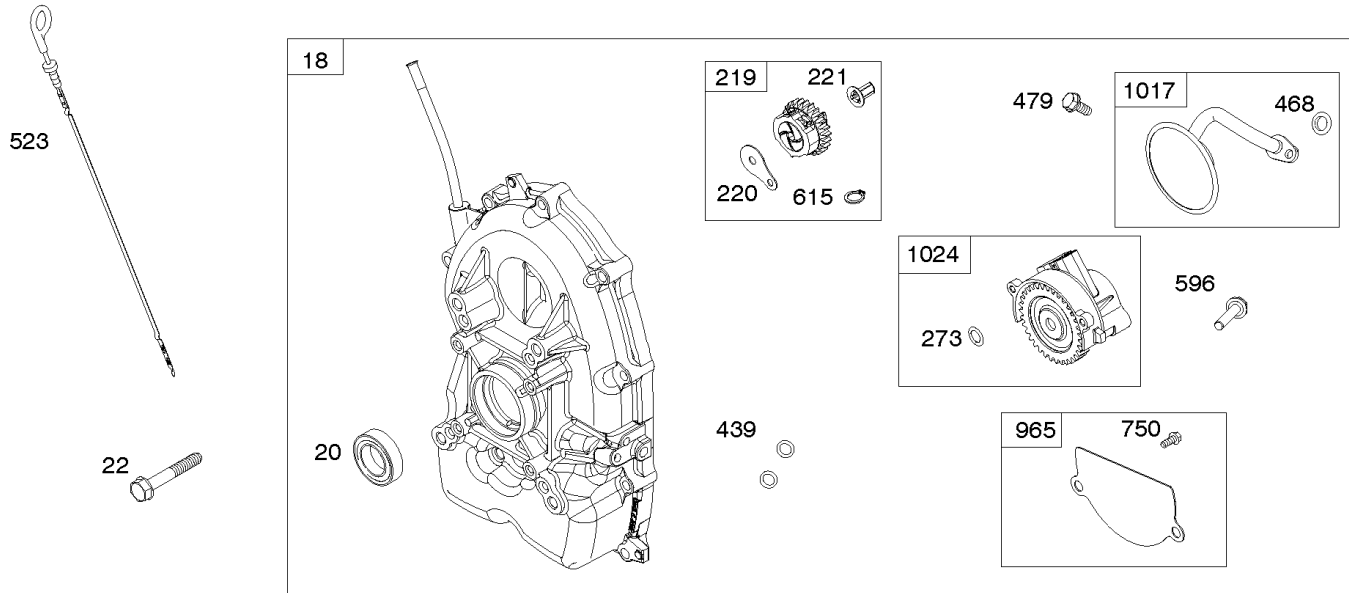
Carburetor Mixers, Fuel Lines

REF NO	PART NO	QTY	DESCRIPTION
11	843457		TUBE, Breather
11A	809736		TUBE, Breather
51A	843456		GASKET, Intake
51C	841882		GASKET, Intake -(Carburetor Spacer)
95	690718		SCREW -(Throttle Valve)
125C	845696		CARBURETOR
137	841651		GASKET, Float Bowl
163A	843117		GASKET, Air Cleaner
365	841853		SCREW -(Carburetor/Throttle Body) (M6x103mm)
418	844589		PLATE, Carburetor Cover
461A	845701		HOSE, Gaseous Fuel
601	844405		CLAMP, Hose -(Breather Tube) -Used After Code Date 07121300
601B	691145		CLAMP, Hose -(Breather Tube)
601C	843438		CLAMP, Hose -(Gaseous Fuel Hose)
672	843102		GASKET, Carburetor Plate
773	843643		RETAINER -(Carburetor)
987	808183		SEAL, Choke/Throttle Shaft
1127	841621		SCREW -(Float Bowl to Carburetor Body)
1169	690990		SCREW -(Carburetor Cover Plate)
1357	844413		SLEEVE, Fuel Line



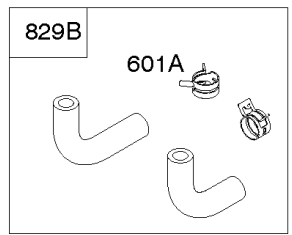
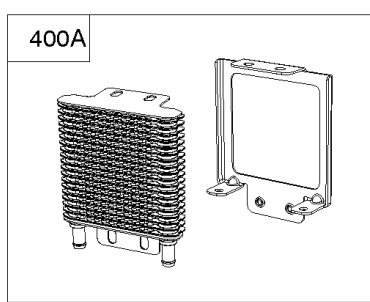
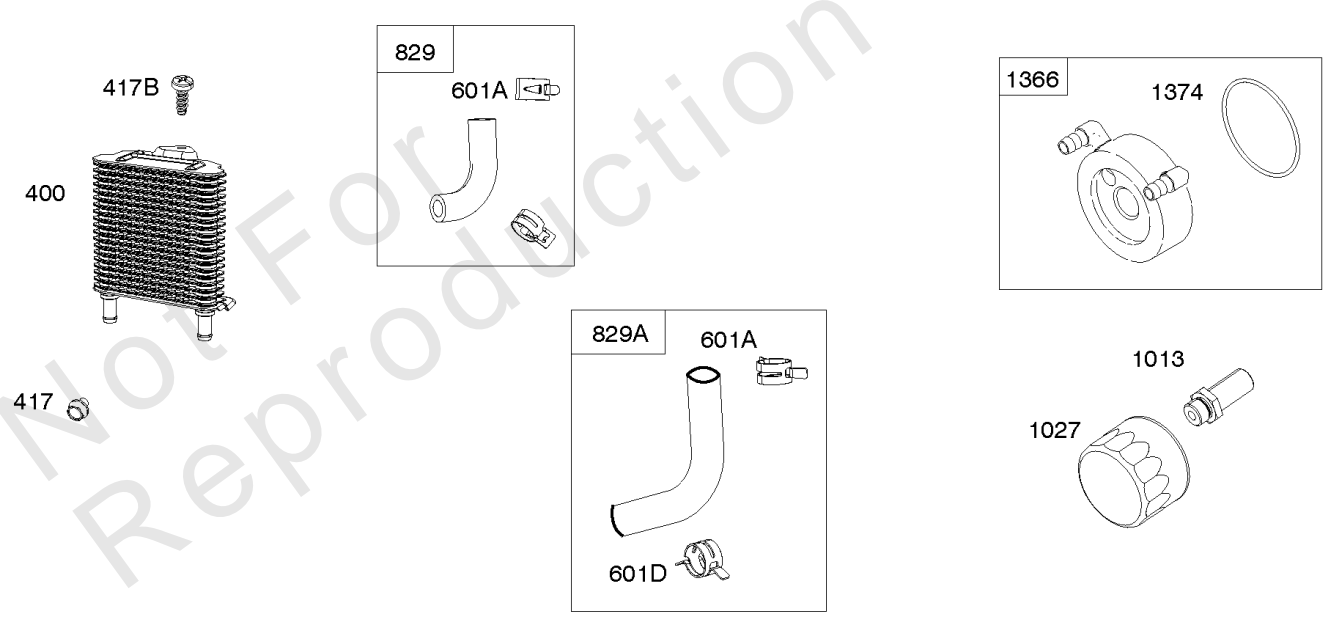
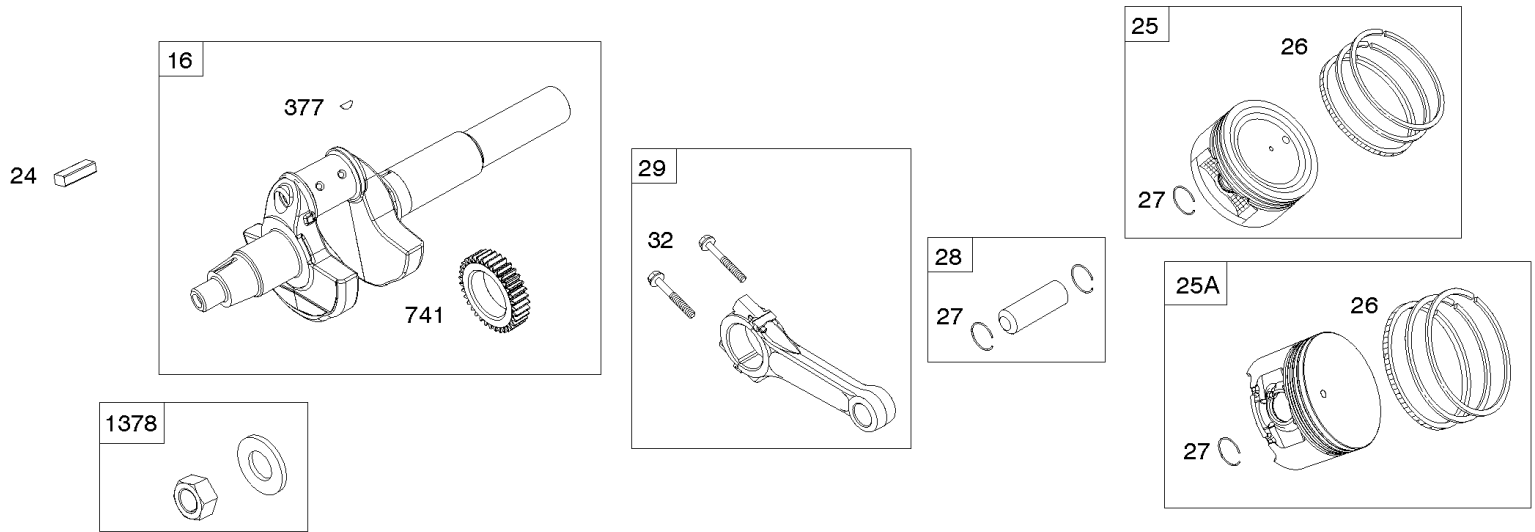
Control Brackets, Actuators, Springs, Links

REF NO	PART NO	QTY	DESCRIPTION
188	692056		SCREW -(Control Bracket) (M8x14mm)
212	843454		LINK, Throttle
222	844420		BRACKET, Control -Used After Code Date 10093000
232A	690545		SPRING/LINK, Governor
265	841673		CLAMP, Casing -(Control Bracket)
267	841552		SCREW -(Casing Clamp) (M5x20mm)
401	844416		LINK, Actuator -(115mm)
796A	690272		WASHER -(Actuator)
890	841614		BRACKET, Support
931	844417		ACTUATOR
931A	845912		ACTUATOR
931B	845833		ACTUATOR
961	841233		SCREW -(Air Cleaner Bracket) (To Actuator Bracket)
999A	797483		SCREW -(Actuator) (#8-32x.38)
1092	845699		CLEVIS
1464	845832		SCREW -(Actuator Link)
1465	845831		NUT -(Actuator Link)
1466	690272		WASHER -(Actuator Link)



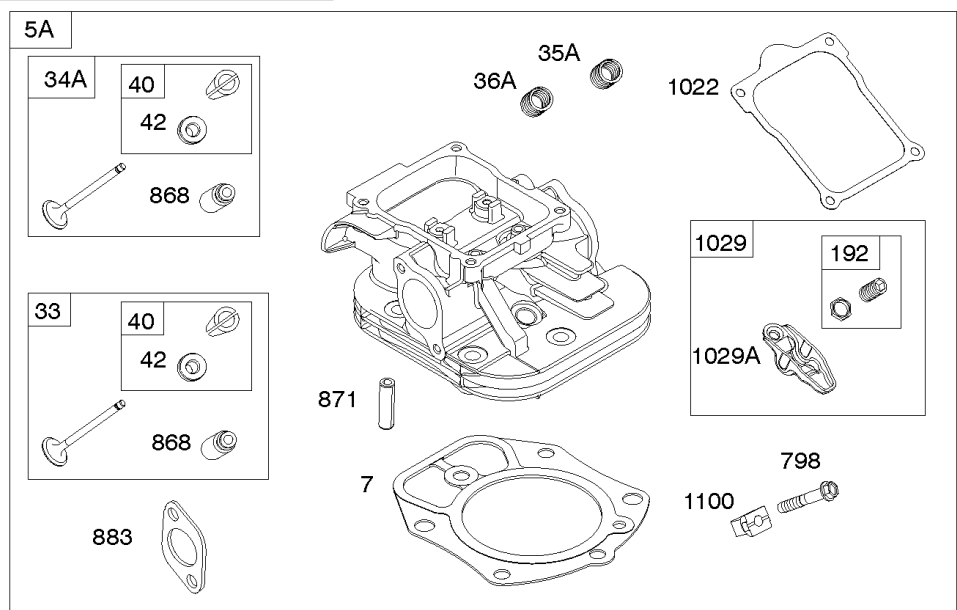
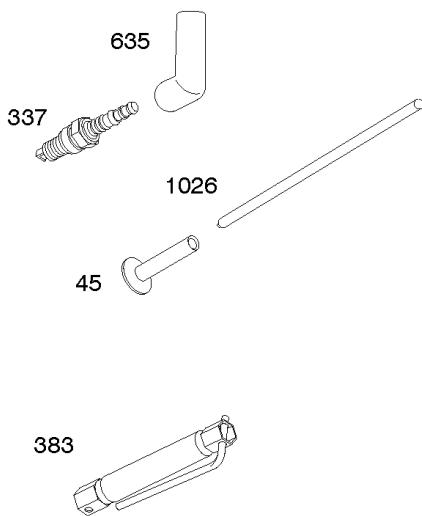
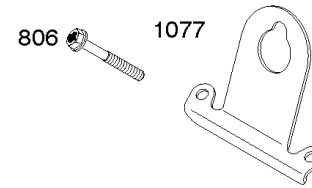
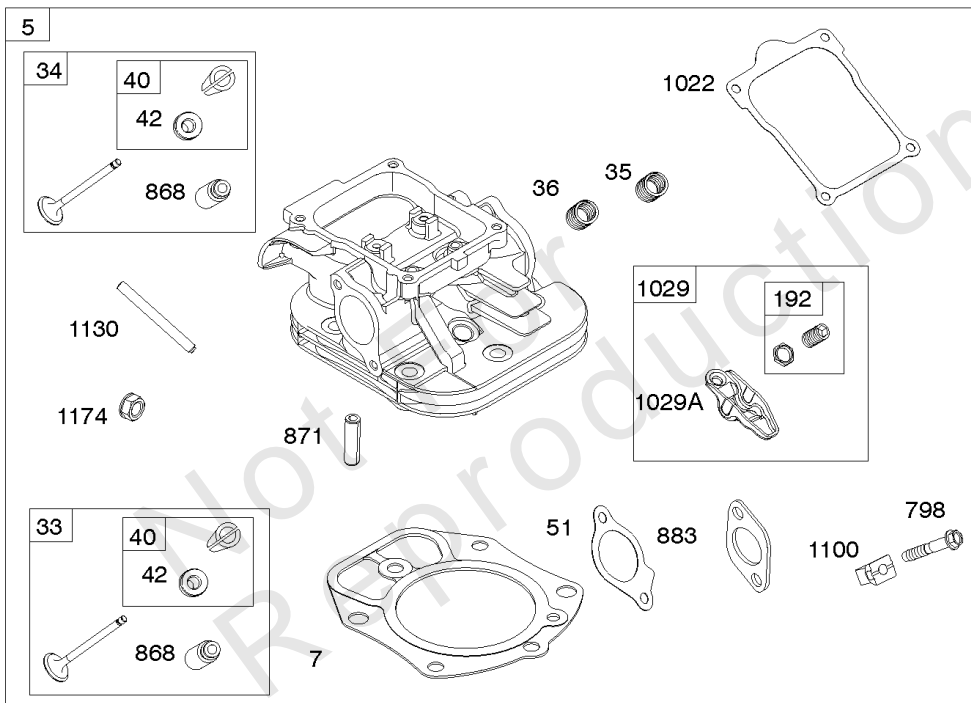
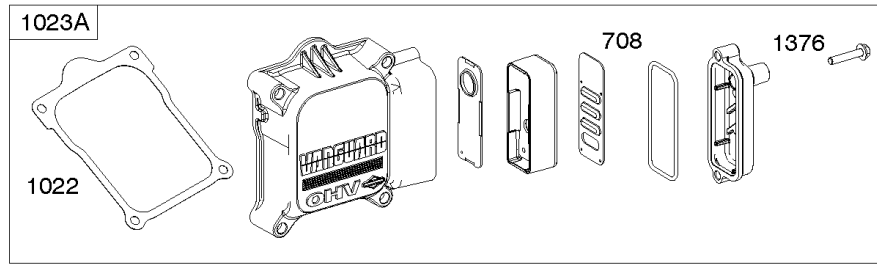
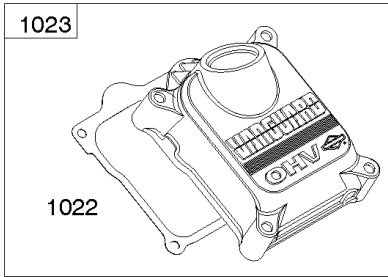
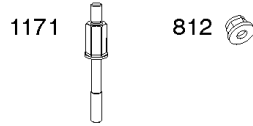
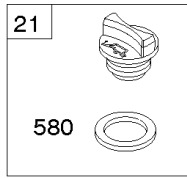
Crankcase Covers, Camshafts

REF NO	PART NO	QTY	DESCRIPTION
12	846037		GASKET, Crankcase -Used After Code Date 13072100
12A	843969		GASKET, Crankcase -Used After Code Date 13072100
12B	844107		GASKET, Crankcase -Used Before Code Date 13072200
18A	844408		COVER, Crankcase
20	841596		SEAL, Oil -(PTO Side)
22	807362		SCREW -(Crankcase Cover/Sump) (M8x50mm)
45	809785		TAPPET, Valve
46	809879		CAMSHAFT
219	809426		GEAR, Governor
220	841608		WASHER -(Governor Gear)
221	841026		CUP, Governor
273	690681		SEAL, O-Ring -(Oil Pump)
439	692154		O-RING, Oil Gallery -(Crankcase Cover/Sump or Cylinder Assembly) (Cylinder)
439A	846027		O-RING, Oil Gallery -(Crankcase Cover/Sump or Cylinder Assembly) (Cylinder) -Used After Code Date 13072200
468	690690		SEAL, O-Ring -(Oil Pump Screen)
479	807084		SCREW -(Oil Pump Screen)
523	841007		DIPSTICK
596	691492		SCREW -(Oil Pump)
615	698290		RETAINER, Governor Shaft -(Crankcase Cover/Sump)
750	841233		SCREW -(Oil Pump Cover)
965	809422		COVER, Oil Pump
1017	809421		SCREEN, Oil Pump
1024	845983		PUMP, Oil



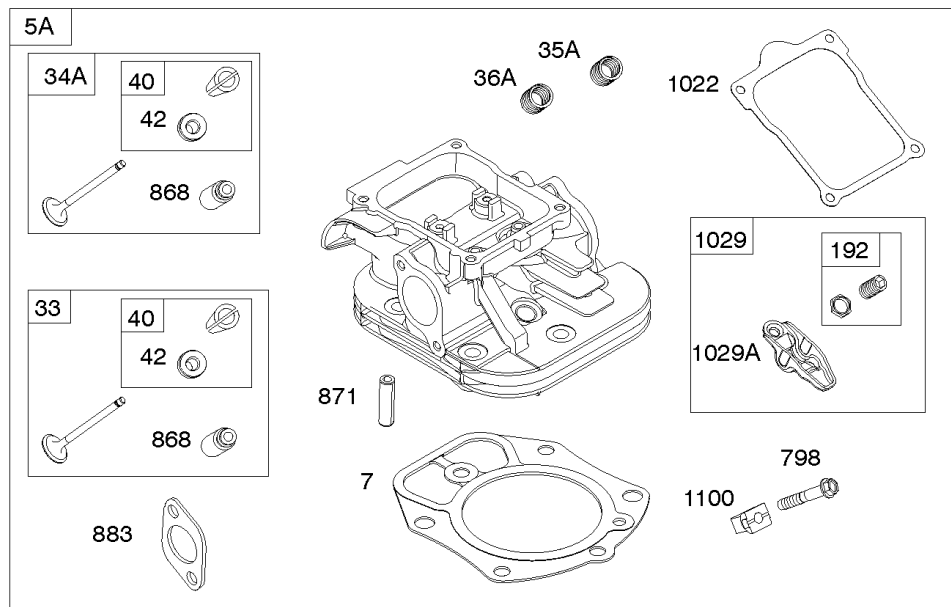
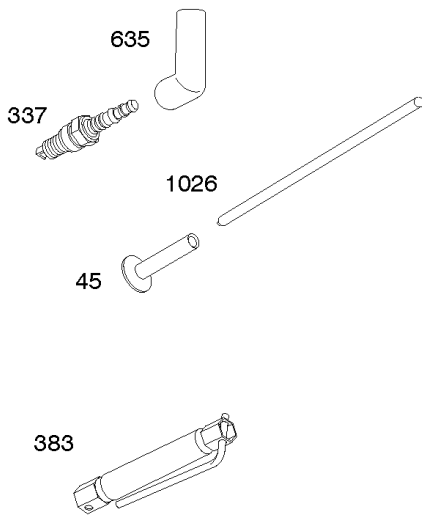
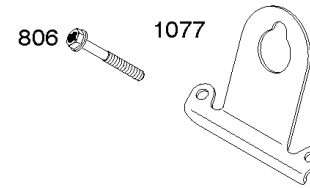
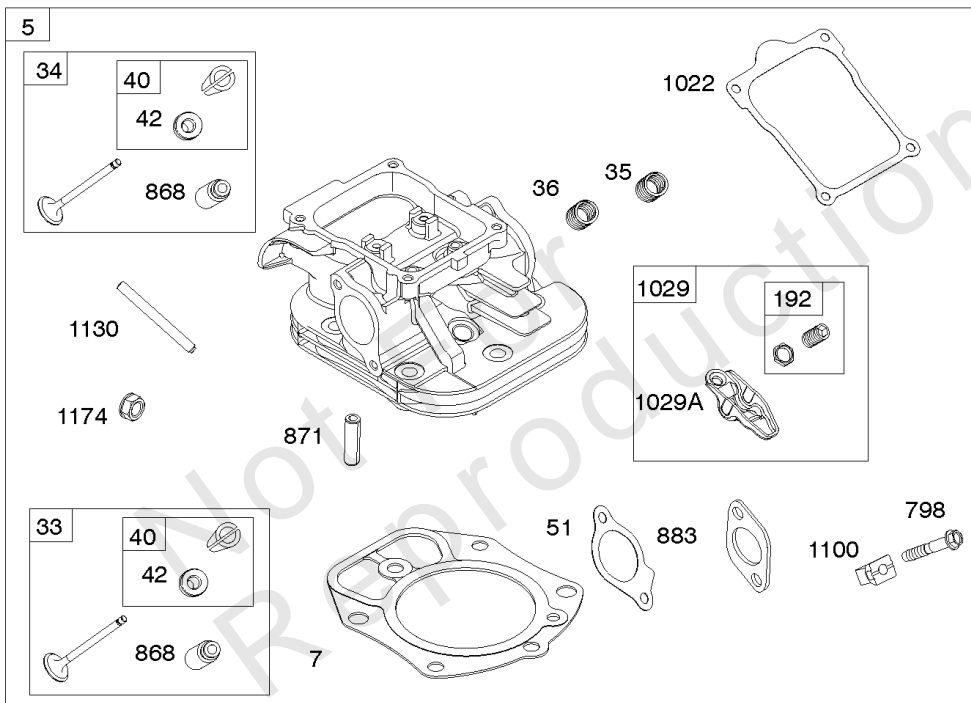
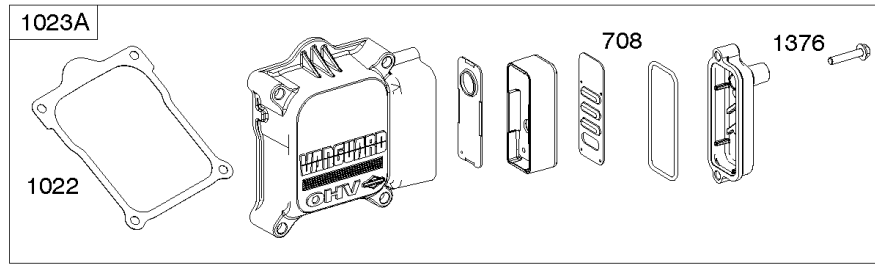
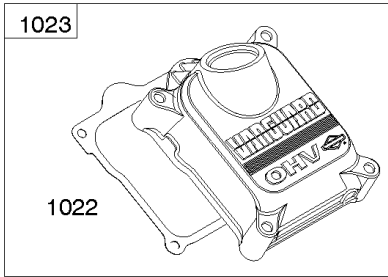
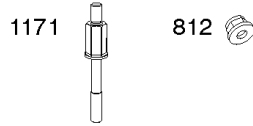
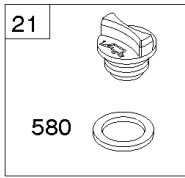
Crankshaft, Piston/Rings/Connecting Rod, Oil Cooler

REF NO	PART NO	QTY	DESCRIPTION
16	844409		CRANKSHAFT
24	222698S		KEY, Flywheel -(Aluminum) -Used Before Code Date 07122800
24	796335		KEY, Flywheel -(Steel) -Used After Code Date 07122700
25	809790		PISTON ASSEMBLY -(Standard)
25	841931		PISTON ASSEMBLY -(.020 Oversize)
26	809972		SET, Ring -(Standard)
26	841932		SET, Ring -(.020 Oversize)
27	807351		LOCK, Piston Pin
28	807361		PIN, Piston
29	841838		ROD, Connecting
32	807363		SCREW -(Connecting Rod)
377	691639		KEY, Timing
400	846249		COOLER, Oil -Used After Code Date 14052200
400A	846489		COOLER, Oil -Used Before Code Date 14052300
417	841233		SCREW -(Oil Cooler) (M6x10mm) -Used After Code Date 13072600
417A	843345		SCREW -(Oil Cooler) (M6x8mm) -Used Before Code Date 13072700
417B	846250		SCREW -(Oil Cooler) (M6x16mm)
601A	841597		CLAMP, Hose -(Oil Cooler Hose)
601D	845209		CLAMP, Hose -(Oil Cooler Hose)
741	809432		GEAR, Timing
829	846247		HOSE, Oil Cooler -Used After Code Date 14052200
829A	846248		HOSE, Oil Cooler -Used After Code Date 14052200
829B	846155		HOSE, Oil Cooler -Used Before Code Date 14052300
1013	841602		NIPPLE, Oil Filter
1027	842921		FILTER, Oil
1155	806647		WASHER -(Oil Cooler) -Used Before Code Date 13072700
1366	841510		DIVERTER, Oil Cooler
1373	841233		SCREW -(Oil Cooler Bracket)
1374	841506		SEAL, O-Ring -(Oil Cooler Diverter)
1378	844795		SET, Washer/Nut -(Flywheel)



Cylinder Heads, Rocker Covers

REF NO	PART NO	QTY	DESCRIPTION
5	842181		HEAD, Cylinder -(Cylinder 2)
5	843708		HEAD, Cylinder -(Cylinder 1)
7	809730		GASKET, Cylinder Head
13	809784		SCREW -(Cylinder Head) (M9x70mm)
21	843464		CAP, Oil Fill
33	843729		VALVE, Exhaust
34	843730		VALVE, Intake
35	809374		SPRING, Valve -(Intake) (Intake) (White)
36	809374		SPRING, Valve -(Exhaust) (Exhaust) (White)
40	844788		RETAINER, Valve
42	807683		KEEPER, Valve
45	809785		TAPPET, Valve
51	841592		GASKET, Intake
192	690083		ADJUSTER, Rocker Arm
337	797434		PLUG, Spark
383	19576S		WRENCH, Spark Plug
580	809894		SEAL, O-Ring -(Oil Fill Cap)
635	692076		BOOT, Spark Plug
708	841301		SEAL, O-Ring -(Breather Reed)
798	691492		SCREW -(Rocker Arm)
806	807357		SCREW -(Lifting Bracket)
812	690939		NUT -(Rocker Cover)
868	691963		SEAL, Valve
871	692057		BUSHING, Valve Guide
883	809872		GASKET, Exhaust
914	807357		SCREW -(Rocker Cover)
1022	809732		GASKET, Rocker Cover
1023	809731		COVER, Rocker -(Cylinder #1)
1023A	809789		COVER, Rocker -(Cylinder #2)
1026	809783		ROD, Push -(Intake and Exhaust)
1029	690972		ARM, Rocker
1029A	807323		ARM, Rocker
1077	809729		BRACKET, Lifting
1100	791959		PIVOT, Rocker Arm
1130	841590		STUD -(Intake Manifold) -Used Before Code Date 10093000
1171	844813		STUD -(Rocker Cover) (Rocker Cover #2)
1174	842067		NUT -(Intake Manifold) -Used Before Code Date 10093000
1376	806421		SCREW -(Breather Reed Cover)



Cylinder Heads, Rocker Covers

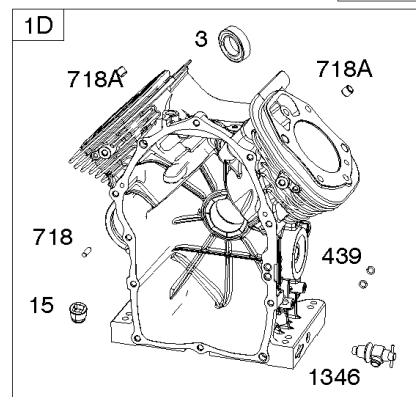
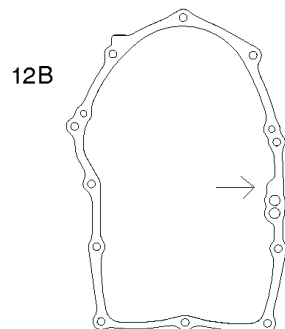
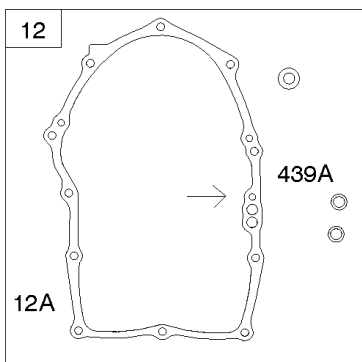
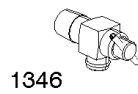
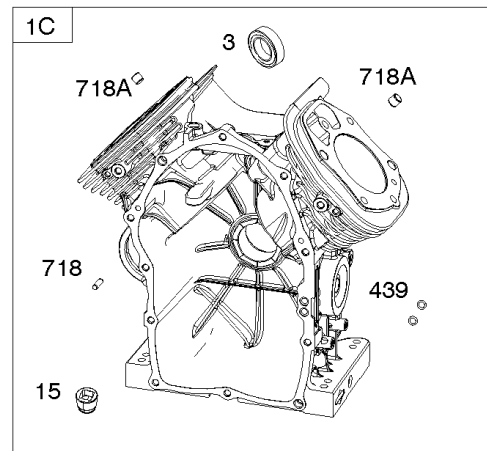
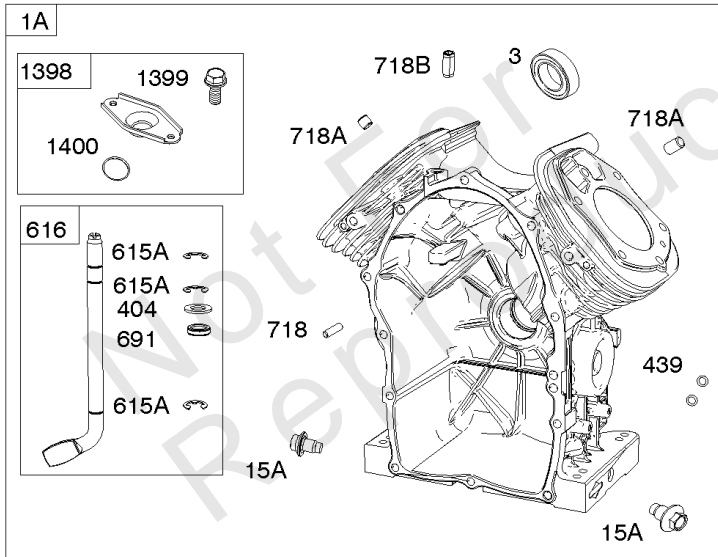
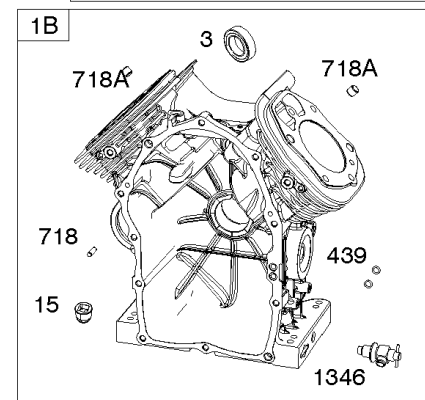
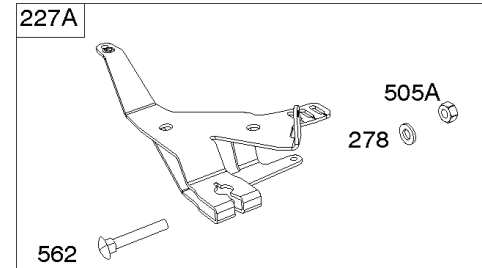
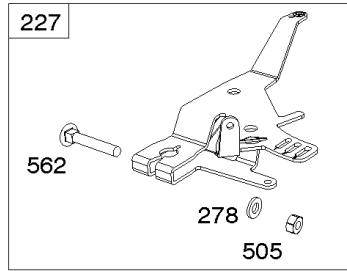
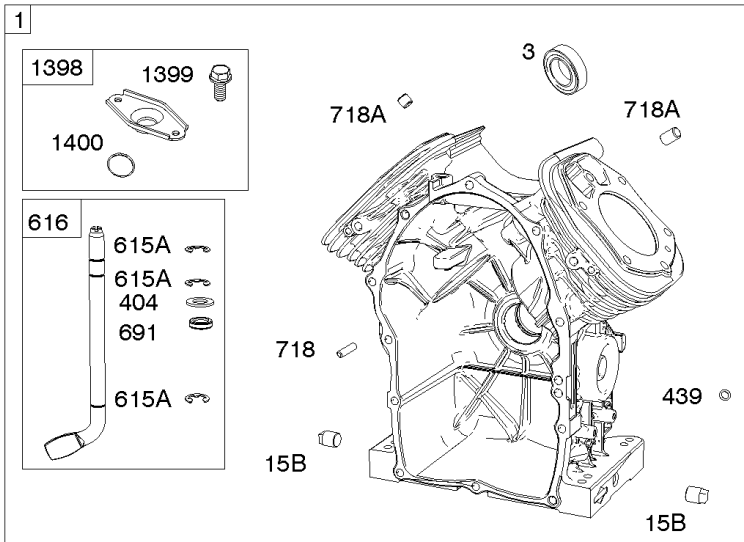
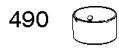
REF NO	PART NO	QTY	DESCRIPTION
1405	690939		NUT -(Lifting Bracket)

Not For Reproduction

1036

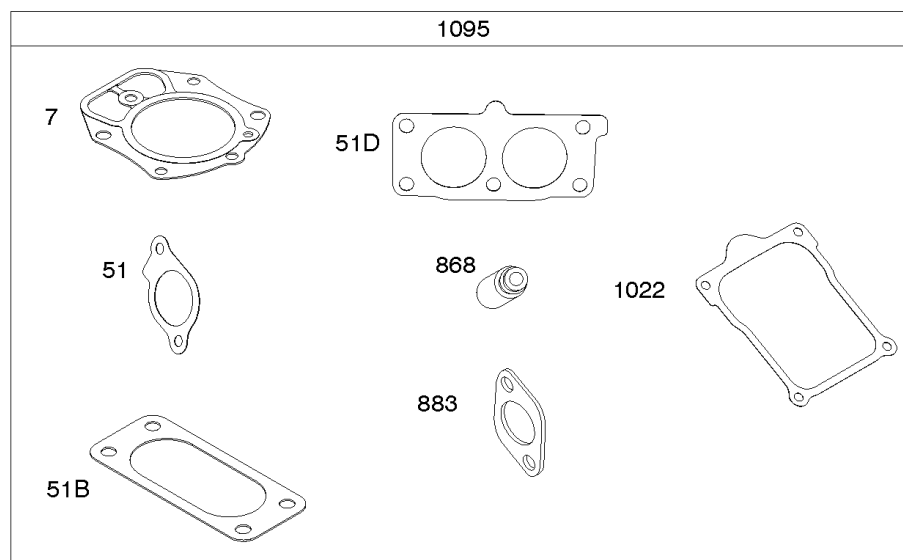
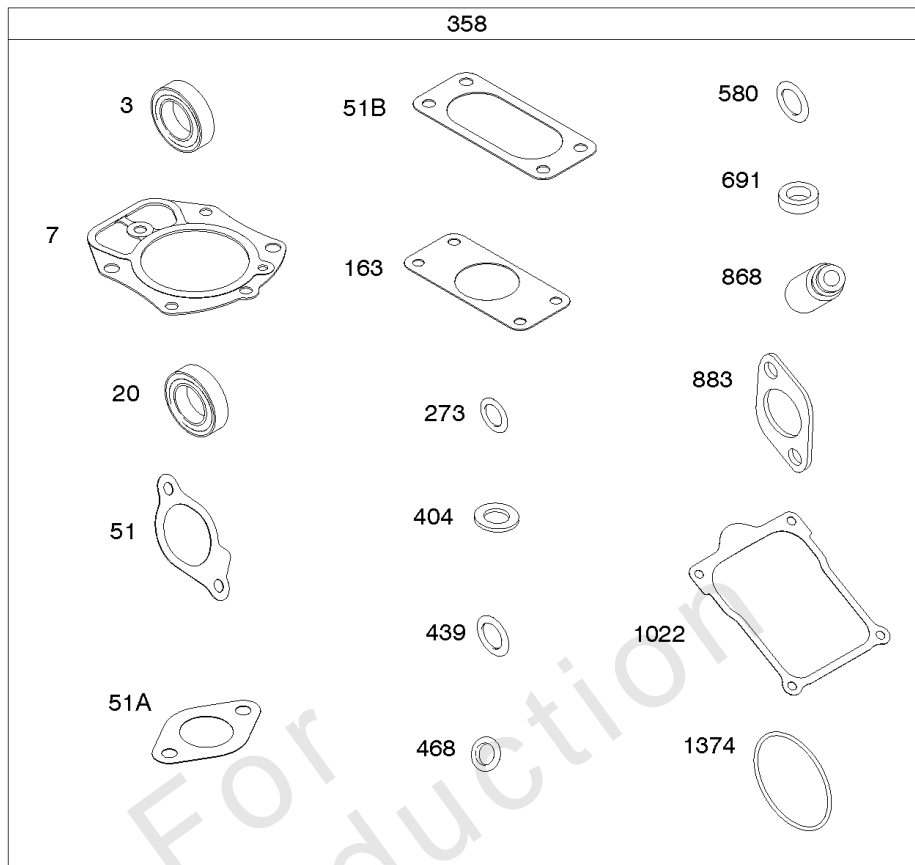
1319

1330



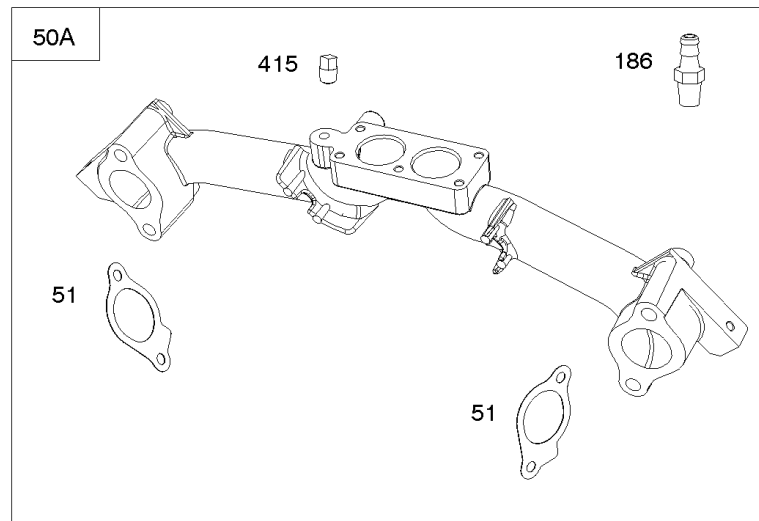
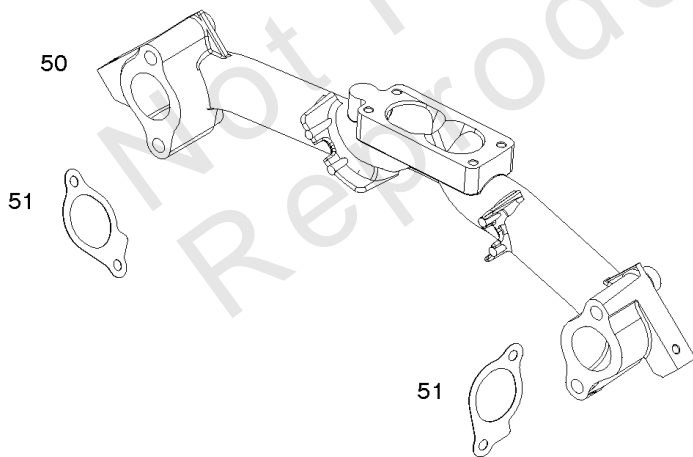
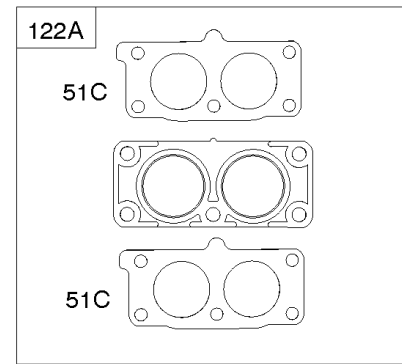
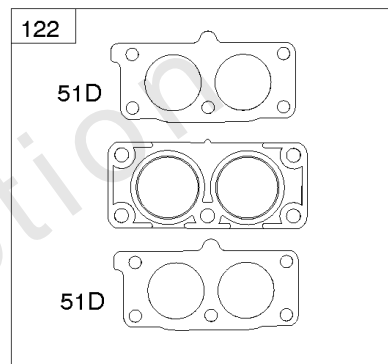
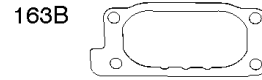
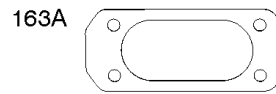
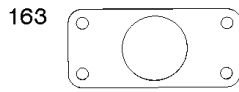
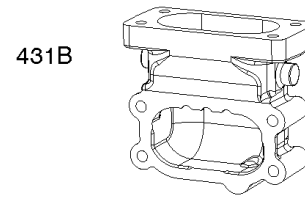
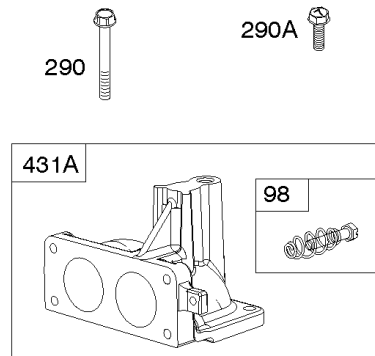
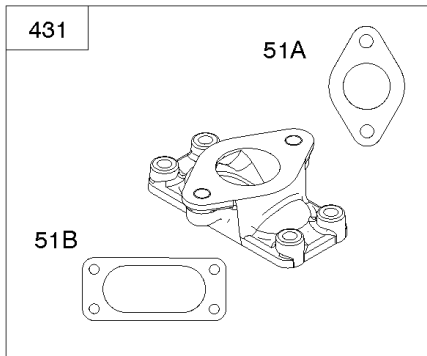
Cylinders, Governor Control Levers

REF NO	PART NO	QTY	DESCRIPTION
1A	845756		CYLINDER ASSEMBLY
1B	844410		CYLINDER ASSEMBLY
3	841596		SEAL, Oil -(Magneto Side)
12	846037		GASKET, Crankcase -Used After Code Date 13072100
12A	843969		GASKET, Crankcase -Used After Code Date 13072100
12B	844107		GASKET, Crankcase -Used Before Code Date 13072200
15	691680		PLUG, Oil Drain -Used After Code Date 12113000
15B	690946		PLUG, Oil Drain -Used Before Code Date 12120100
239	841281		SWITCH, Oil Pressure
278	842122		WASHER -(Governor Control Lever)
404	809436		WASHER -(Governor Crank)
439	692154		O-RING, Oil Gallery -(Crankcase Cover/Sump or Cylinder Assembly) (Cylinder)
439A	846027		O-RING, Oil Gallery -(Crankcase Cover/Sump or Cylinder Assembly) (Cylinder) -Used After Code Date 13072200
490	843433		BEARING, Magneto Side
505	844752		NUT -(Governor Control Lever)
562	843344		BOLT -(Governor Lever)
615A	809533		RETAINER, Governor Shaft -(Cylinder)
616	844180		CRANK, Governor
691	809287		SEAL, Governor Shaft
718	690959		PIN, Locating -(Cylinder)
718A	809508		PIN, Locating -(Cylinder Head)
1036	-----		Label-Emissions -(Available From A Briggs & Stratton Authorized Dealer)
1319	794467		LABEL, Warning
1330	272144		MANUAL, Repair
1346	844802		VALVE, Oil Drain Shut Off
1398	842191		COVER, Fuel Pump
1399	690932		SCREW -(Fuel Pump Cover)
1400	809894		SEAL, O-Ring -(Fuel Pump Cover)



Engine Gasket Set, Valve Gasket Set

REF NO	PART NO	QTY	DESCRIPTION
3	841596		SEAL, Oil -(Magneto Side)
7	809730		GASKET, Cylinder Head
20	841596		SEAL, Oil -(PTO Side)
51	841592		GASKET, Intake
51A	843456		GASKET, Intake
51B	843455		GASKET, Intake
51C	841882		GASKET, Intake
273	690681		SEAL, O-Ring -(Oil Pump)
358	843711		GASKET SET, Engine
404	809436		WASHER -(Governor Crank)
439	692154		O-RING, Oil Gallery -(Crankcase Cover/Sump or Cylinder Assembly) (Cylinder)
468	690690		SEAL, O-Ring -(Oil Pump Screen)
580	809894		SEAL, O-Ring -(Oil Fill Cap)
691	809287		SEAL, Governor Shaft
868	691963		SEAL, Valve
883	809872		GASKET, Exhaust
1022	809732		GASKET, Rocker Cover
1095	843713		GASKET SET, Valve
1374	841506		SEAL, O-Ring -(Oil Cooler Diverter)



Intake Manifolds, Intake Elbows, Mixer Spacers

REF NO	PART NO	QTY	DESCRIPTION
50A	844340		MANIFOLD, Intake
51C	841882		GASKET, Intake -(Carburetor Spacer)
54	844656		SCREW -(Intake Manifold) (M8x72mm) -Used After Code Date 10092900
98	841842		KIT, Idle Speed -(Intake Elbow)
122	844713		SPACER, Carburetor
163A	843117		GASKET, Air Cleaner
186	691764		CONNECTOR, Hose -(Intake Manifold)
290	809911		SCREW -(Intake Elbow) (M6x55mm)
290A	807421		SCREW -(Intake Elbow) (M6x25mm)
415	794903		PLUG
431A	841539		ELBOW, Intake
431B	843116		ELBOW, Intake
654	842067		NUT -(Carburetor)
1130	841590		STUD -(Intake Manifold) -Used Before Code Date 10093000
1174	842067		NUT -(Intake Manifold) -Used Before Code Date 10093000

Replacement Engine - US & Canada

REF NO	PART NO	QTY	DESCRIPTION
	6132770004	1	Replacement Engine

Not For Reproduction

