



# Parts Manual

Mfg. No: 61E477-0007-J1

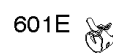
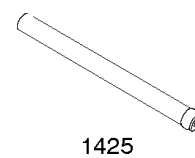
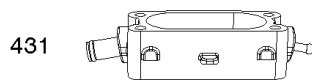
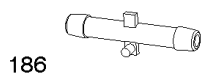
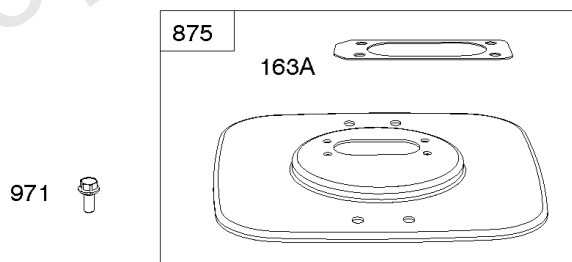
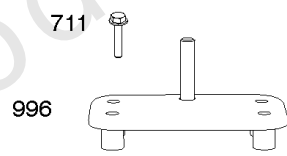
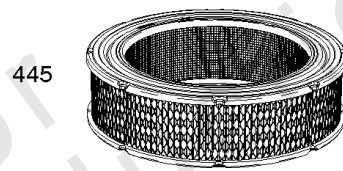
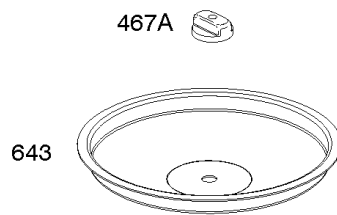
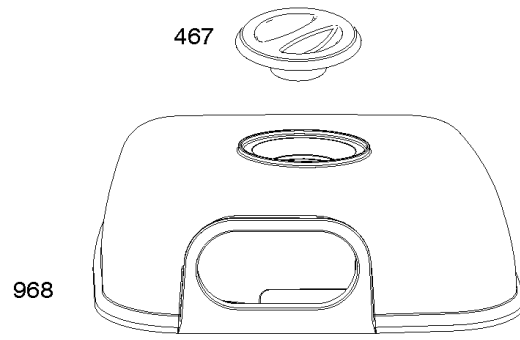


---

<b>Model Components</b>	<b>Page</b>
Air Cleaner.....	4
Blower Housing, Carburetor Covers, Oil Cooler.....	6
Crankcase Covers, Camshaft.....	8
Cylinder Heads, Rocker Arm Covers.....	10
Cylinder, Crankshaft, Piston/Rings/Rod.....	12
Engine Gasket Set, Valve Gasket Set.....	14
Exhaust System.....	16
Flywheel, Flywheel Fan, Air Guides.....	18
Intake Manifold, Throttle Body, Fuel System.....	20
Regulator, Alternator, Wires, ECU.....	22
Replacement Engine - US & Canada.....	24
Wire Harness, Fuel Module, Brackets.....	25

Not For  
Reproduction

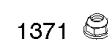
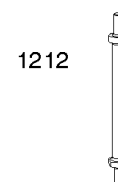
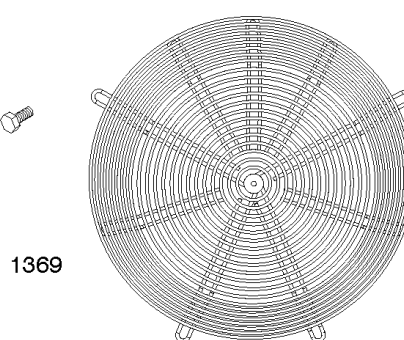
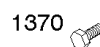
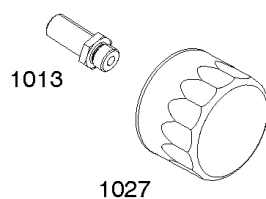
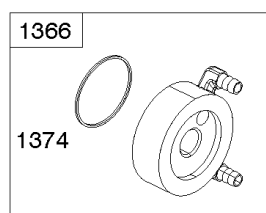
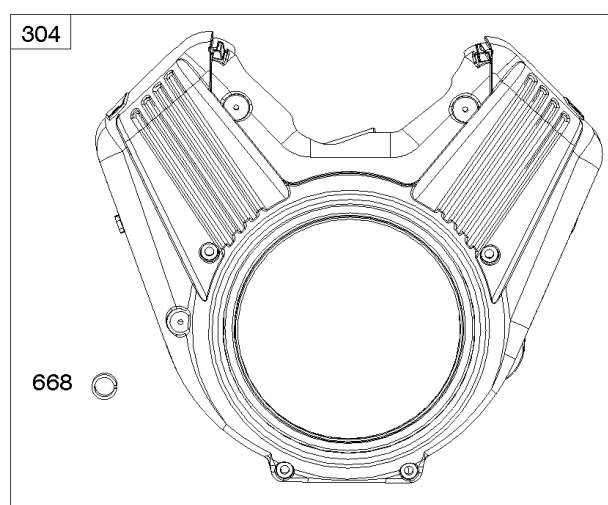
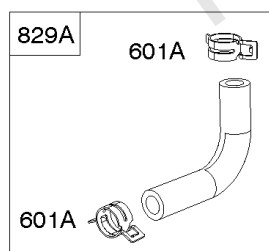
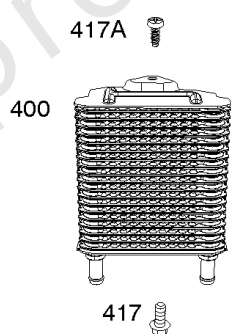
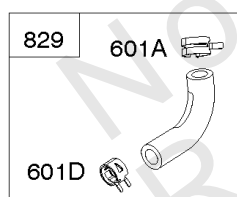
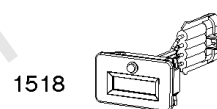
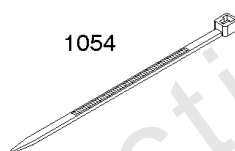
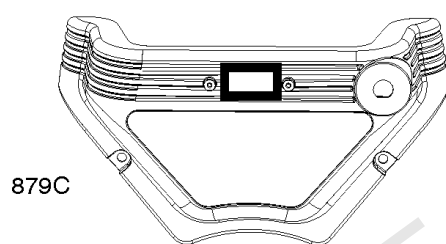
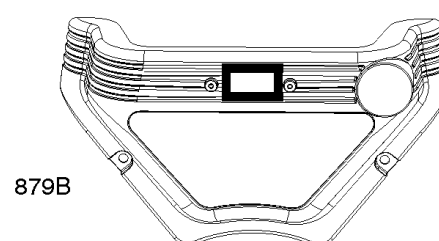
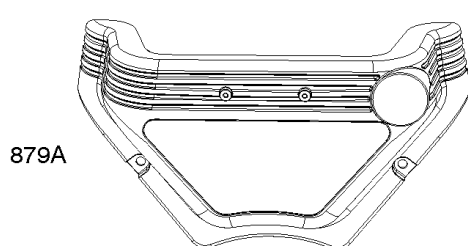
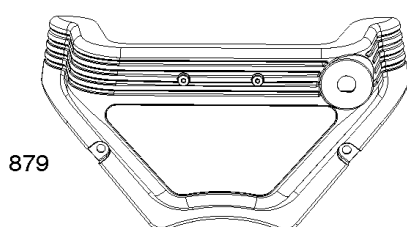
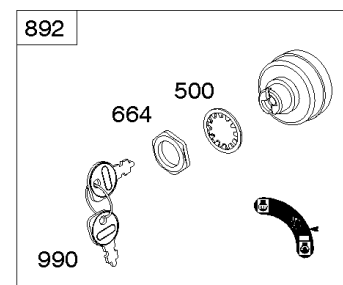
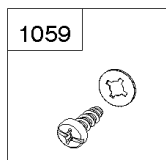
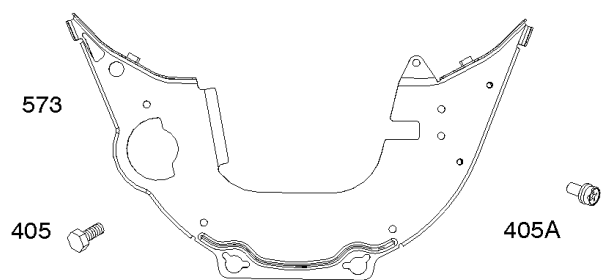
Not For  
Reproduction



## Air Cleaner

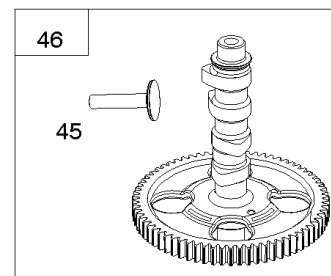
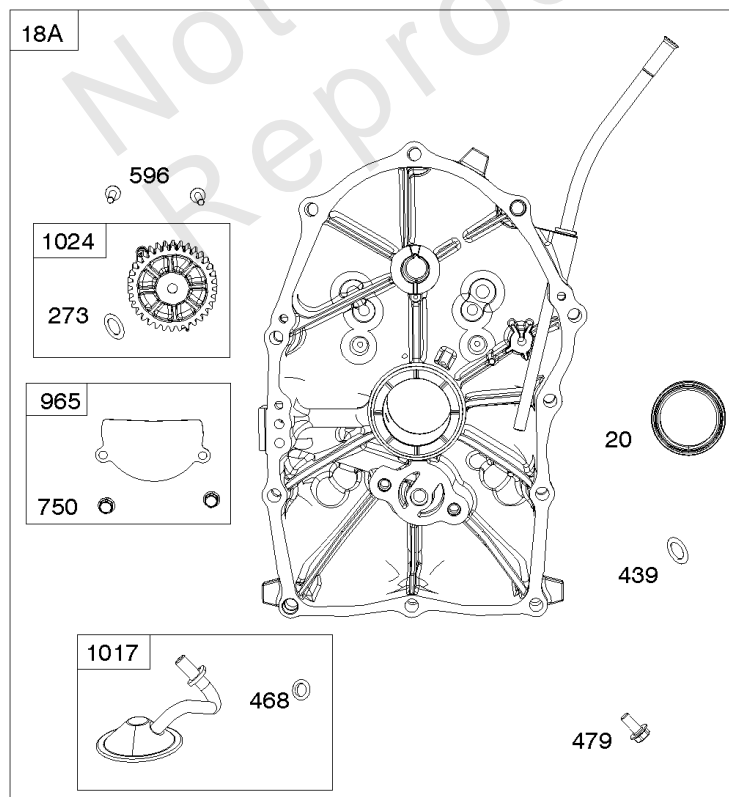
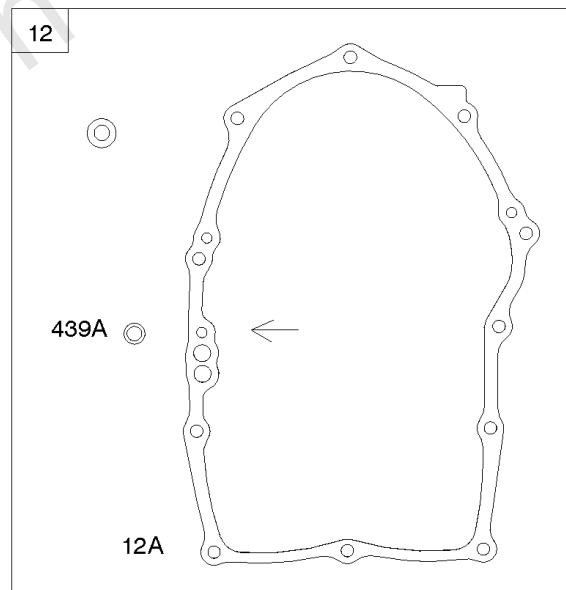
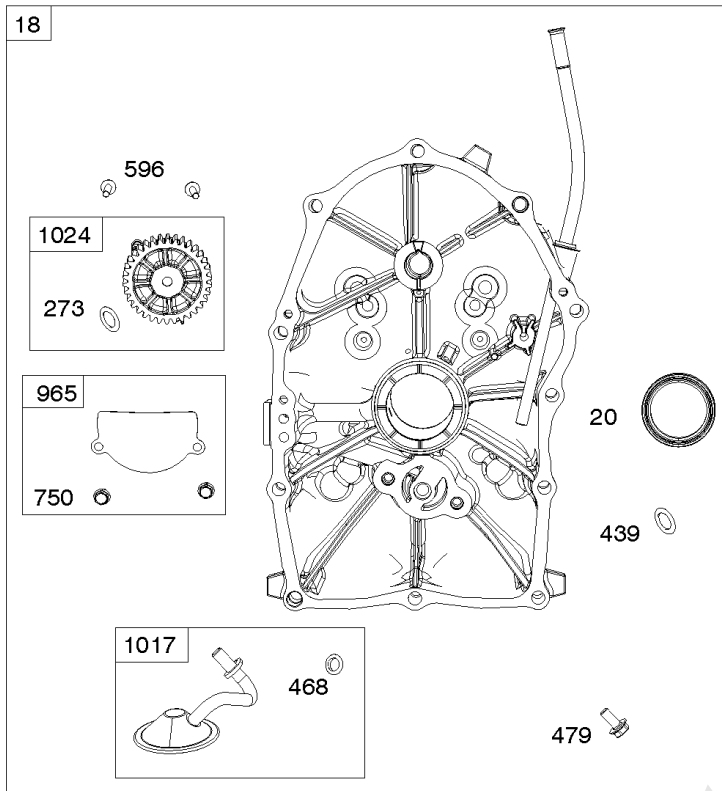
REF NO	PART NO	QTY	DESCRIPTION
163A	843117		GASKET, Air Cleaner
186	845121		CONNECTOR, Hose
431	846507		ELBOW, Intake
445	692519		FILTER, A/C Cartridge
467	846008		KNOB, Air Cleaner Cover
467A	846432		KNOB, Air Cleaner Cover
601E	846483		CLAMP, Hose -(Purge Line Hose)
643	844932		RETAINER, Air Filter
711	806444		SCREW -(Carburetor Shield) (M6x68mm)
875	843118		BASE, Air Cleaner
968	846323		COVER, Air Cleaner
971	692062		SCREW -(Air Cleaner Base to Carburetor/Throttle Body)
996	846006		SHIELD, Carburetor
1425	846514		HOSE, Purge Line

Not For Reproduction



## Blower Housing, Carburetor Covers, Oil Cooler

REF NO	PART NO	QTY	DESCRIPTION
304	846481		HOUSING, Blower -(Oil Cooler)
305	807435		SCREW -(Blower Housing) (M6x20mm)
400	846249		COOLER, Oil
405	841233		SCREW -(Back Plate) (M6x10mm)
405A	841735		SCREW -(Back Plate) (M6x14mm)
417	841233		SCREW -(Oil Cooler) (M6x10mm)
417A	846250		SCREW -(Oil Cooler) (M6x16mm)
500	691086		WASHER -(Key Switch)
573	846840		PLATE, Back
601A	841597		CLAMP, Hose -(Oil Cooler Hose)
601D	845209		CLAMP, Hose -(Oil Cooler Hose)
664	691087		NUT -(Key Switch)
668	841974		SPACER -(Blower Housing)
829	846247		HOSE, Oil Cooler
829A	846248		HOSE, Oil Cooler
879	846504		COVER, Carburetor/EFI -(Key Switch)
892	692318		SWITCH, Key -(Includes Key Switch Label)
990	691959		SET, Key
1013	841602		NIPPLE, Oil Filter
1027	842921		FILTER, Oil
1054	280275		TIE, Cable -(Clear, Nylon)
1059	845300		KIT, Screw/Washer -(Carburetor/EFI Cover)
1212	809958		STUD -(Blower Housing)
1366	841510		DIVERTER, Oil Cooler
1369	842858		GUARD, Flywheel Fan
1370	841233		SCREW -(Flywheel Fan Guard)
1371	841537		NUT -(Flywheel Fan Guard)
1374	841506		SEAL, O-Ring -(Oil Cooler Diverter)



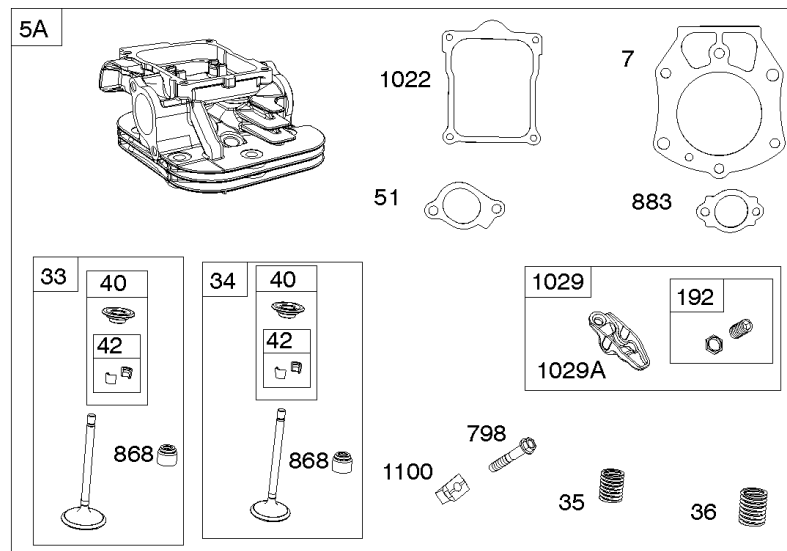
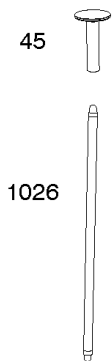
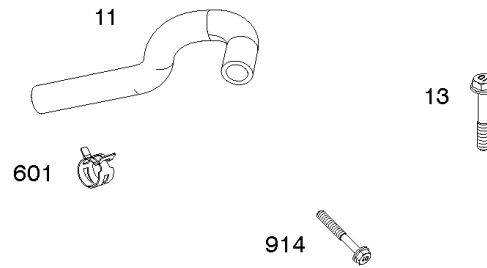
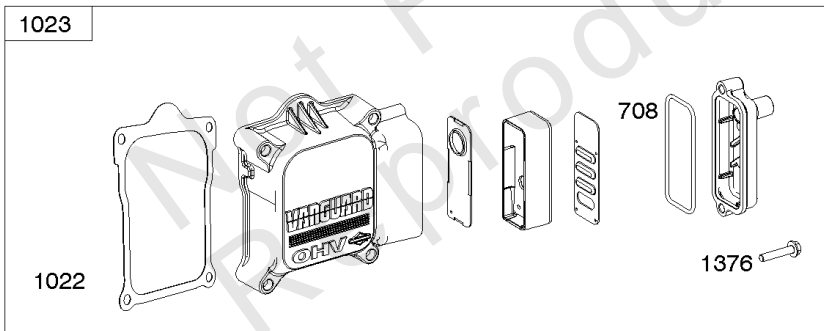
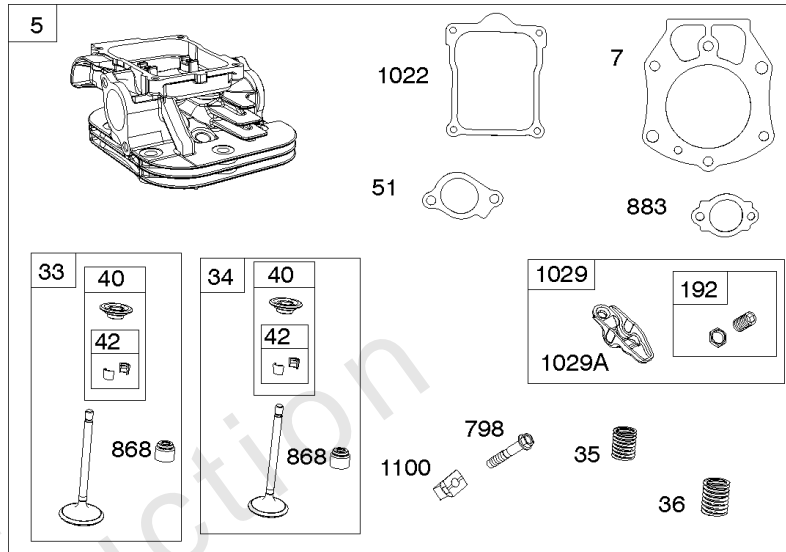
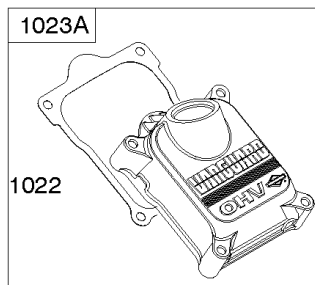
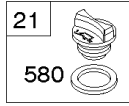
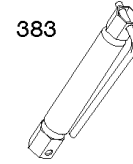
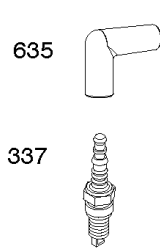
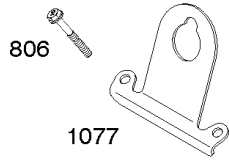


## ***Crankcase Covers, Camshaft***

<b>REF NO</b>	<b>PART NO</b>	<b>QTY</b>	<b>DESCRIPTION</b>
12	846037		GASKET, Crankcase -(Metal Core Gasket)
12A	843969		GASKET, Crankcase -(Metal Core Gasket)
18	846942		COVER, Crankcase
20	841596		SEAL, Oil -(PTO Side)
22	807362		SCREW -(Crankcase Cover/Sump) (M8x50mm)
45	809785		TAPPET, Valve
46	809879		CAMSHAFT
273	690681		SEAL, O-Ring -(Oil Pump)
439	692154		O-RING, Oil Gallery -(Crankcase Cover/Sump or Cylinder Assembly) (Cylinder)
439A	846027		O-RING, Oil Gallery -(Crankcase Cover/Sump or Cylinder Assembly)
468	690690		SEAL, O-Ring -(Oil Pump Screen)
479	807084		SCREW -(Oil Pump Screen)
523	841007		DIPSTICK
596	691492		SCREW -(Oil Pump)
750	841233		SCREW -(Oil Pump Cover)
965	809422		COVER, Oil Pump
1017	809421		SCREEN, Oil Pump
1024	845983		PUMP, Oil

# Cylinder Heads, Rocker Arm Covers

Mfg. No: 61E477-0007-J1

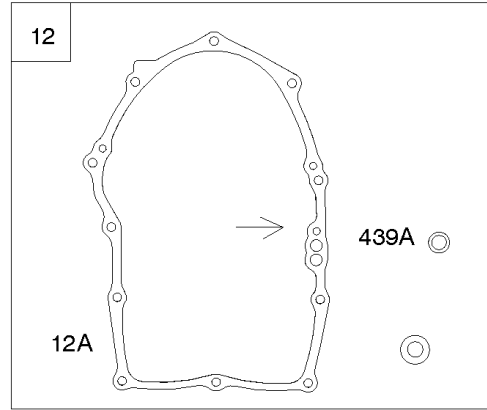
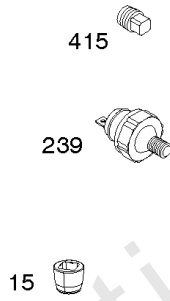
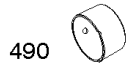
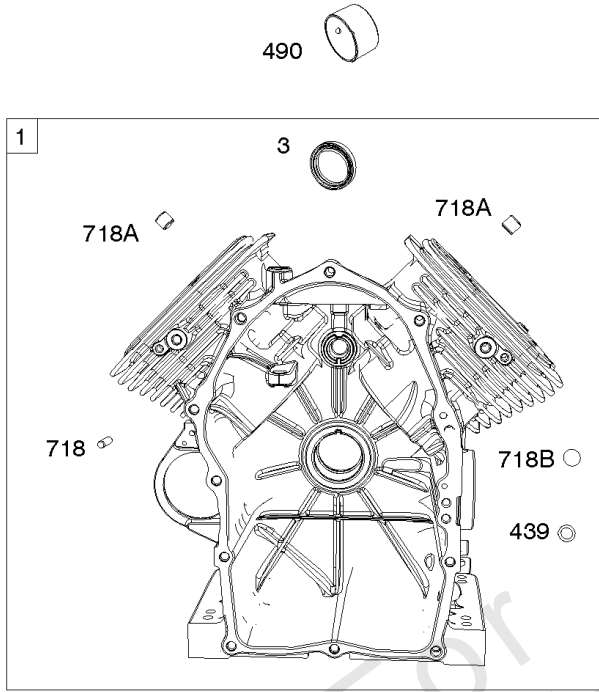


## Cylinder Heads, Rocker Arm Covers

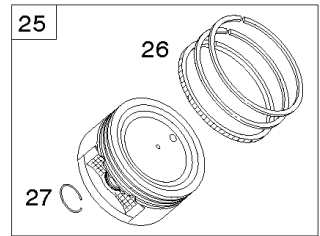
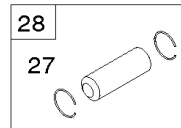
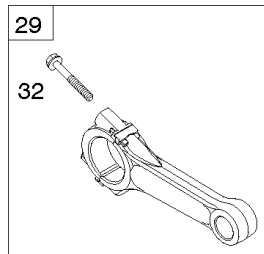
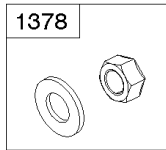
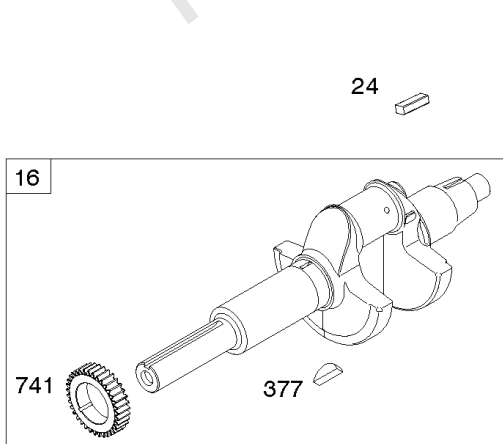
REF NO	PART NO	QTY	DESCRIPTION
5	846463		HEAD, Cylinder -(Cylinder 1)
5A	846464		HEAD, Cylinder -(Cylinder 2)
7	809730		GASKET, Cylinder Head
11	846502		TUBE, Breather -(Formed Hose)
13	809784		SCREW -(Cylinder Head) (M9x70mm)
21	843464		CAP, Oil Fill
33	844787		VALVE, Exhaust
34	846469		VALVE, Intake
35	845589		SPRING, Valve -(Intake) (Intake) (Pink)
36	845589		SPRING, Valve -(Exhaust) (Exhaust) (Pink)
40	844788		RETAINER, Valve
42	807683		KEEPER, Valve
45	809785		TAPPET, Valve
51	841592		GASKET, Intake -(Intake Manifold)
192	690083		ADJUSTER, Rocker Arm
337	792015		PLUG, Spark
383	19576S		WRENCH, Spark Plug
580	809894		SEAL, O-Ring -(Oil Fill Cap)
601	844405		CLAMP, Hose -(Breather Tube)
635	692076		BOOT, Spark Plug
708	841301		SEAL, O-Ring -(Breather Reed)
798	691492		SCREW -(Rocker Arm)
806	807357		SCREW -(Lifting Bracket)
868	691963		SEAL, Valve
883	809872		GASKET, Exhaust
914	807357		SCREW -(Rocker Cover)
1022	809732		GASKET, Rocker Cover
1023	809789		COVER, Rocker -(Cylinder #2)
1023A	809731		COVER, Rocker -(Cylinder #1)
1026	809783		ROD, Push -(Intake and Exhaust)
1029	690972		ARM, Rocker
1029A	807323		ARM, Rocker
1077	809729		BRACKET, Lifting
1100	791959		PIVOT, Rocker Arm
1376	806421		SCREW -(Breather Reed Cover)

1036

1330

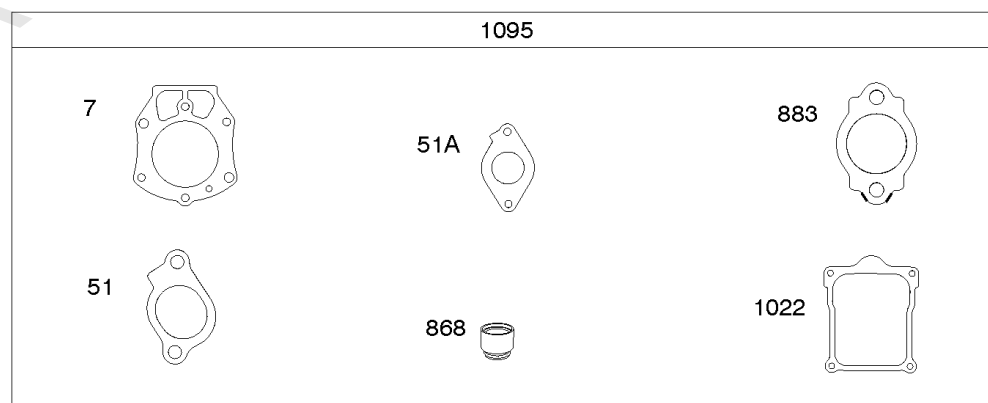
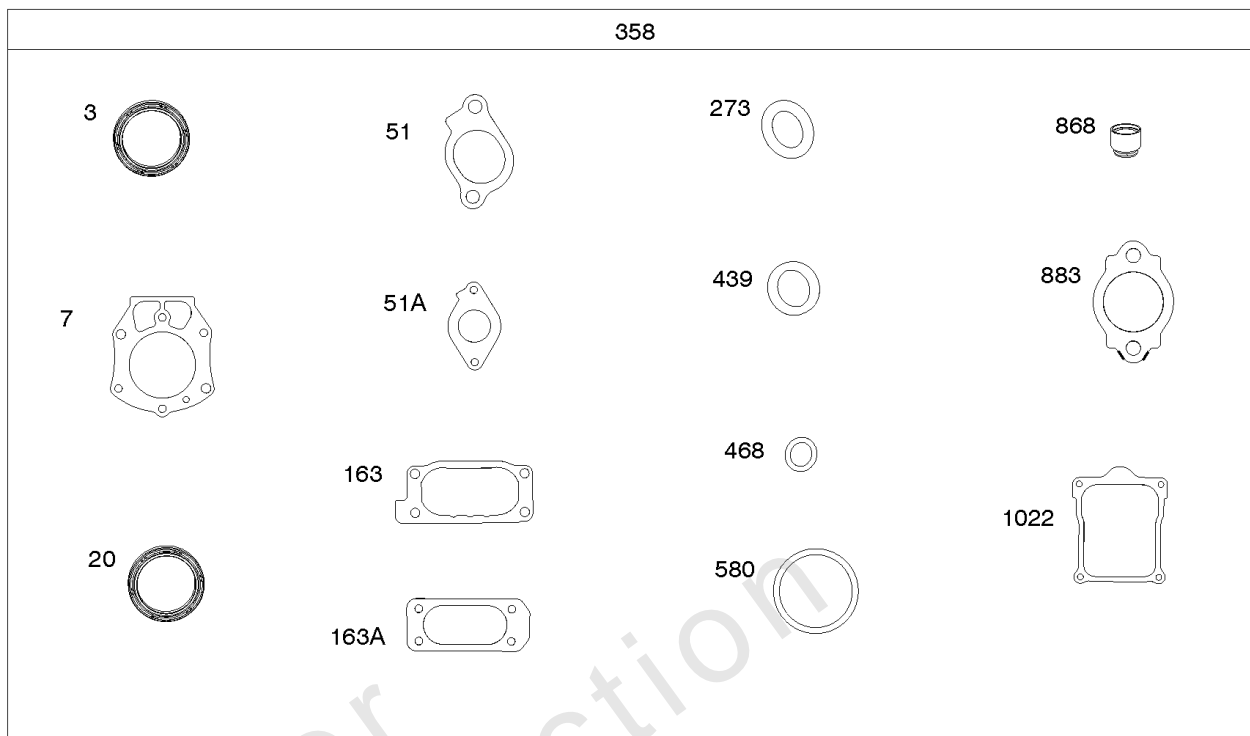


Not For  
Reproduction



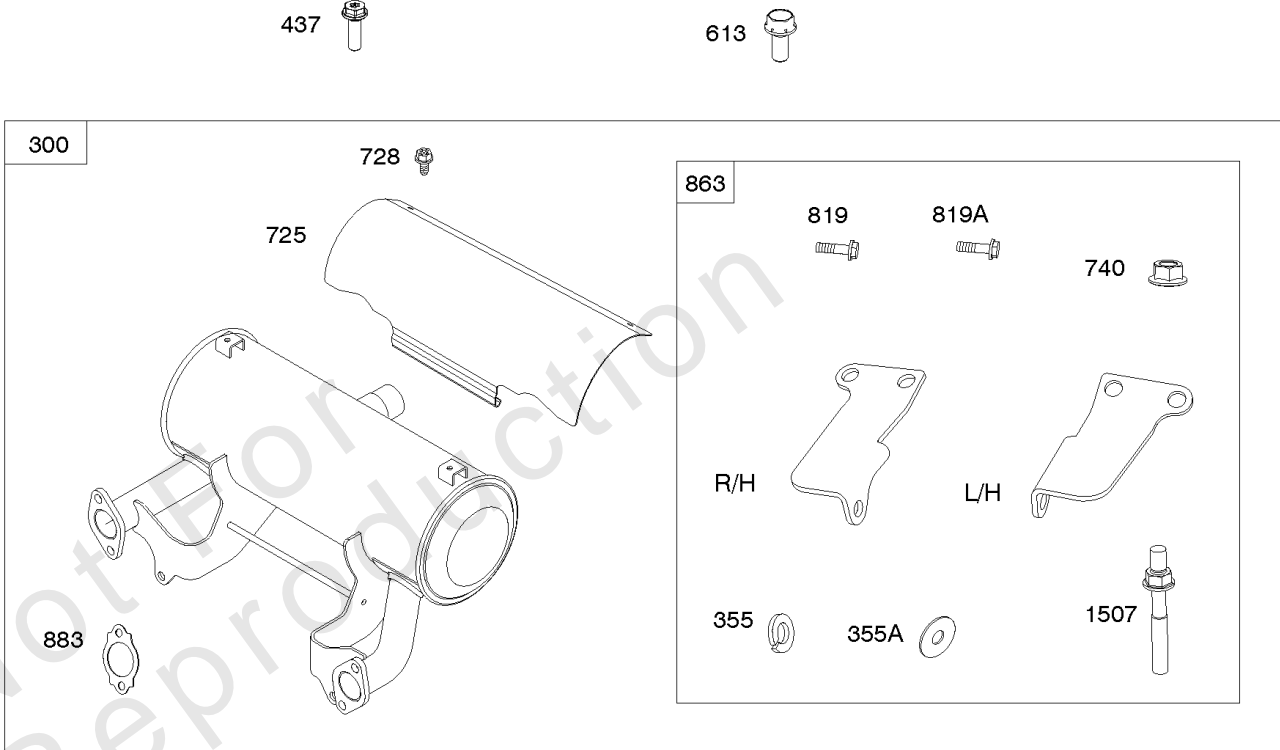
## Cylinder, Crankshaft, Piston/Rings/Rod

REF NO	PART NO	QTY	DESCRIPTION
1	846429		CYLINDER ASSEMBLY
3	841596		SEAL, Oil -(Magneto Side)
12	846037		GASKET, Crankcase -(Metal Core Gasket)
12A	843969		GASKET, Crankcase -(Metal Core Gasket)
15	691680		PLUG, Oil Drain
16	841839		CRANKSHAFT
24	796335		KEY, Flywheel -(Steel)
25	842939		PISTON ASSEMBLY -(.020 Oversize)
25	841837		PISTON ASSEMBLY -(Standard)
26	841932		SET, Ring -(.020 Oversize)
26	809972		SET, Ring -(Standard)
27	807351		LOCK, Piston Pin
28	807361		PIN, Piston
29	841838		ROD, Connecting
32	807363		SCREW -(Connecting Rod)
239	841281		SWITCH, Oil Pressure
377	691639		KEY, Timing
415	794903		PLUG -(Oil Pressure Switch)
439	692154		O-RING, Oil Gallery -(Crankcase Cover/Sump or Cylinder Assembly) (Cylinder)
439A	846027		O-RING, Oil Gallery -(Crankcase Cover/Sump or Cylinder Assembly)
490	843433		BEARING, Magneto Side
718	690959		PIN, Locating -(Cylinder)
718A	809508		PIN, Locating -(Cylinder Head)
718B	845925		PIN, Locating -(Cylinder)
741	809432		GEAR, Timing
1036	-----		Label-Emissions -(Available From A Briggs & Stratton Authorized Dealer)
1330	-----		Repair Manual -(Not Available At This Printing)
1378	844795		SET, Washer/Nut -(Flywheel)



## Engine Gasket Set, Valve Gasket Set

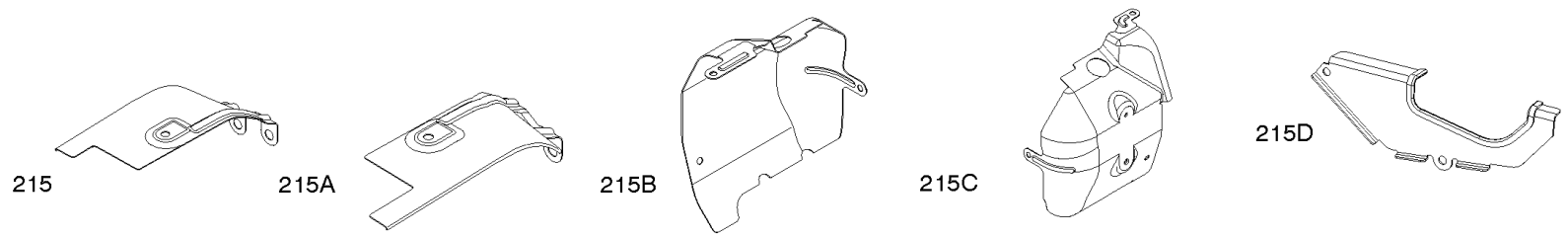
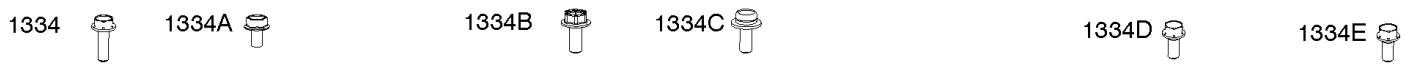
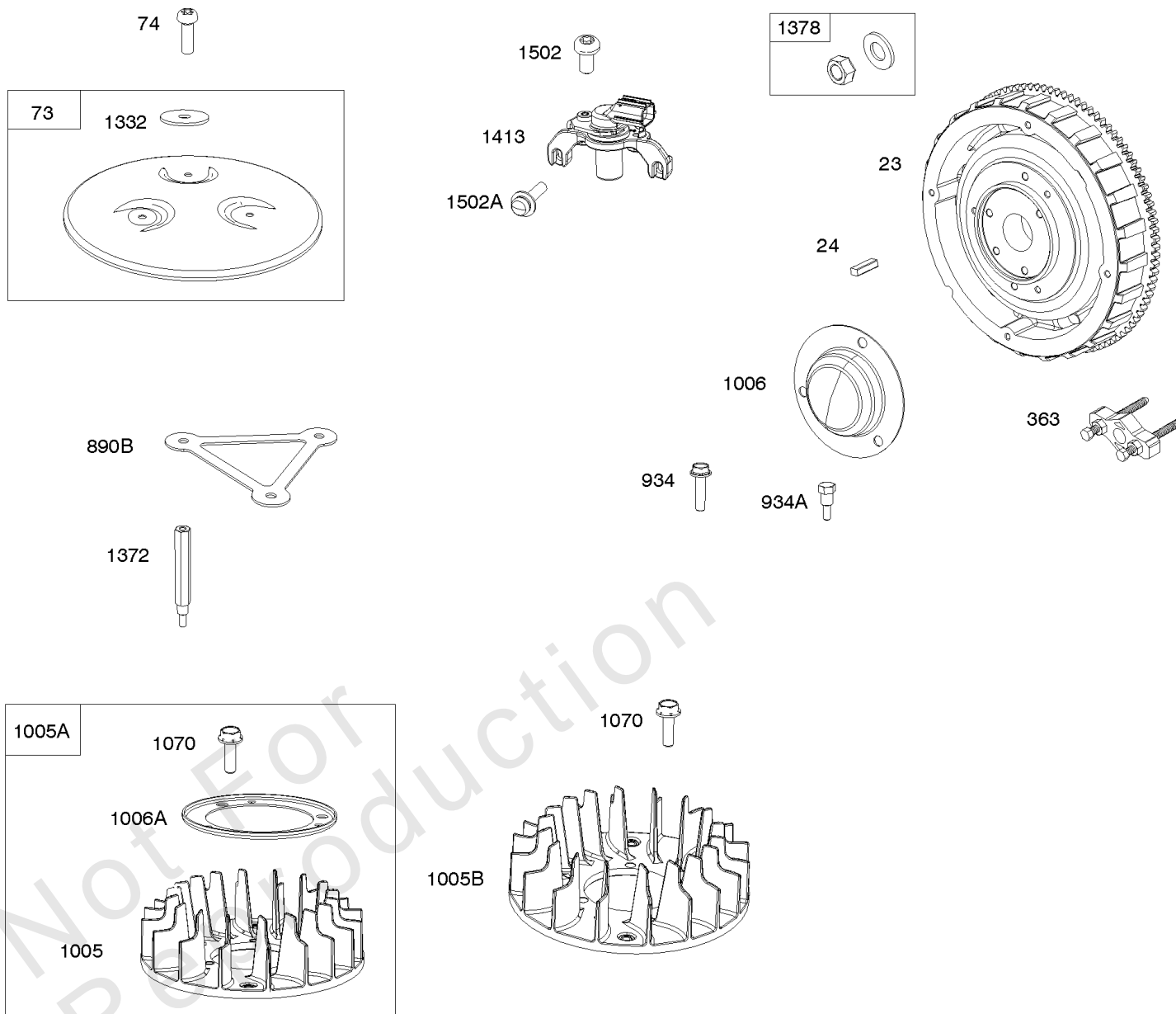
REF NO	PART NO	QTY	DESCRIPTION
3	841596		SEAL, Oil -(Magneto Side)
7	809730		GASKET, Cylinder Head
20	841596		SEAL, Oil -(PTO Side)
51	841592		GASKET, Intake -(Intake Manifold)
51A	846473		GASKET, Intake -(Intake Manifold/Throttle Body)
163	807375		GASKET, Air Cleaner
163A	843117		GASKET, Air Cleaner
273	690681		SEAL, O-Ring -(Oil Pump)
358	846671		GASKET SET, Engine
439	692154		O-RING, Oil Gallery -(Crankcase Cover/Sump or Cylinder Assembly) (Cylinder)
468	690690		SEAL, O-Ring -(Oil Pump Screen)
580	809894		SEAL, O-Ring -(Oil Fill Cap)
868	691963		SEAL, Valve
883	809872		GASKET, Exhaust
1022	809732		GASKET, Rocker Cover
1095	846672		GASKET SET, Valve





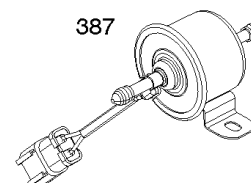
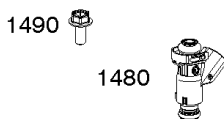
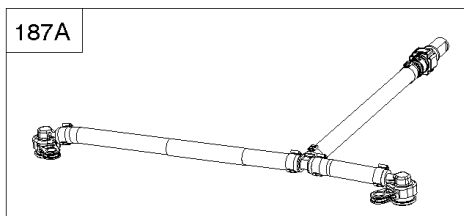
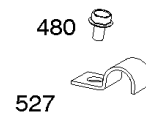
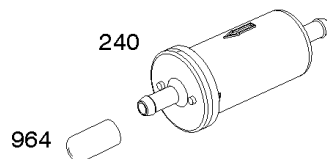
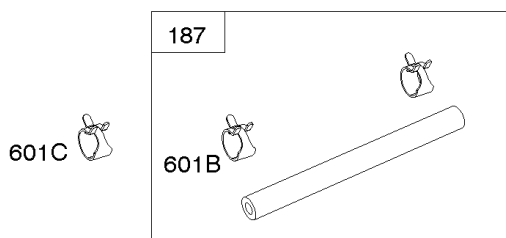
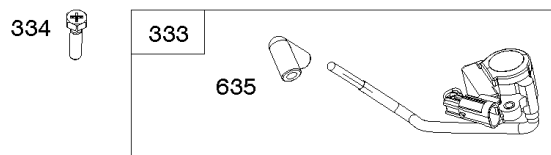
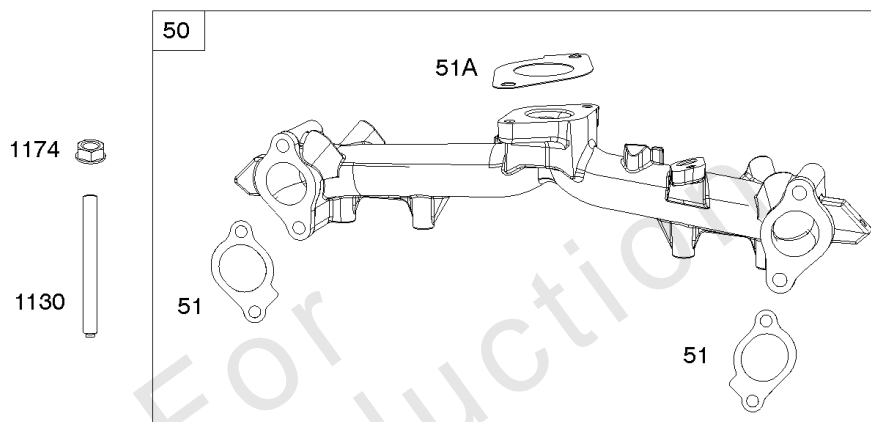
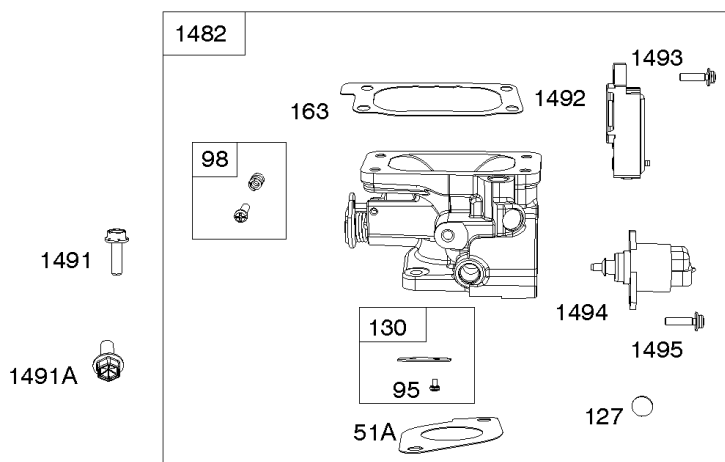
## Exhaust System

REF NO	PART NO	QTY	DESCRIPTION
300	846444		MUFFLER
355	844035		WASHER -(Muffler Bracket) (Flat Washer)
355A	691075		WASHER -(Muffler Bracket) (Lockwasher)
437	846149		SCREW -(Exhaust Manifold) (M8x25mm)
613	692062		SCREW -(Muffler) (M8x18mm)
725	841132		SHIELD, Heat
728	692067		SCREW -(Heat Shield) (M6x12mm)
740	690941		NUT -(Muffler Bracket)
819	692062		SCREW -(Muffler Bracket) (M8x18mm)
819A	807362		SCREW -(Muffler Bracket) (M8x50mm)
863	843487		BRACKET, Muffler
883	809872		GASKET, Exhaust
1507	846324		STUD -(Muffler Bracket)



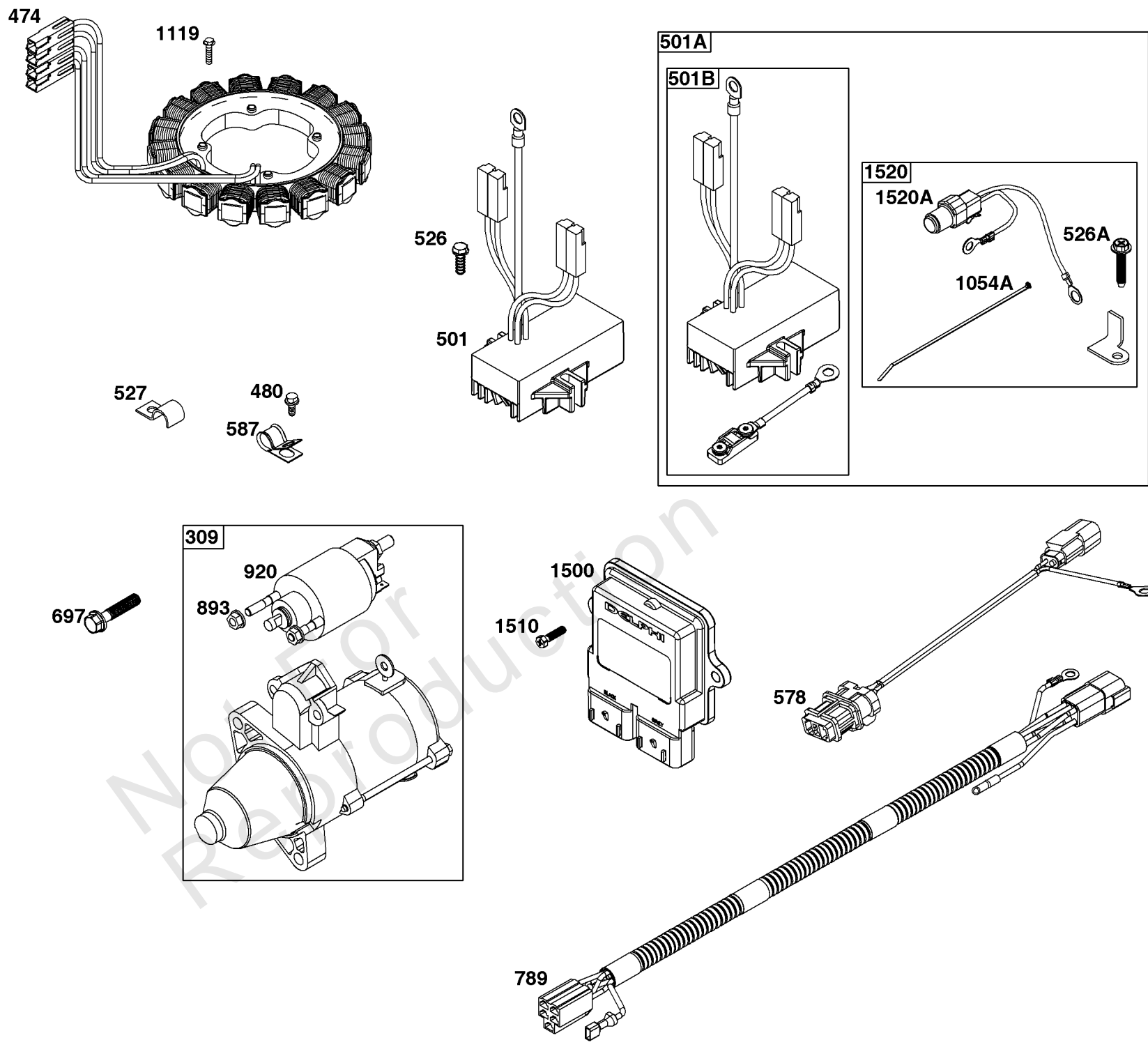
## ***Flywheel, Flywheel Fan, Air Guides***

<b>REF NO</b>	<b>PART NO</b>	<b>QTY</b>	<b>DESCRIPTION</b>
23	846461		FLYWHEEL
24	796335		KEY, Flywheel -(Steel)
215	846455		GUIDE, Air -(Cylinder #1)
215A	846456		GUIDE, Air -(Cylinder #2)
215B	809897		GUIDE, Air -(Cylinder #2)
215D	846458		GUIDE, Air -(Valley)
215C	809738		GUIDE, Air -(Cylinder #1)
363	19203		PULLER, Flywheel
934	807421		SCREW -(Fan Retainer) (M6x25mm) -Used After Code Date 15080600
934A	841205		SCREW -(Fan Retainer) (M6x24mm) -Used Before Code Date 15080700
1005	846995		FAN, Flywheel -Used After Code Date 15080600
1005A	847199		FAN, Flywheel -Used Before Code Date 15080700
1006	846495		RETAINER, Fan -Used After Code Date 14093000
1006A	847198		RETAINER, Fan -Used Before Code Date 14100100
1070	807435		SCREW -(Flywheel Fan) (M6x20mm)
1332	809948		WASHER -(Rotating Screen)
1334	807435		SCREW -(Air Guide) (M6x20mm)
1334A	841233		SCREW -(Air Guide) (M6x10mm)
1334C	690677		SCREW -(Air Guide) (M4x12mm)
1334E	692056		SCREW -(Air Guide) (M8x14mm)
1334D	692062		SCREW -(Air Guide) (M8x18mm)
1334B	807084		SCREW -(Air Guide) (M6x14mm)
1372	809946		STUD -(Rotating Screen)
1378	844795		SET, Washer/Nut -(Flywheel)
1413	846457		SENSOR, Speed
1502	846459		SCREW -(Speed Sensor) (M5x10mm)
1502A	846868		SCREW -(Speed Sensor) (M4x18mm)



## Intake Manifold, Throttle Body, Fuel System

REF NO	PART NO	QTY	DESCRIPTION
50	846503		MANIFOLD, Intake
51	841592		GASKET, Intake -(Intake Manifold)
51A	846473		GASKET, Intake -(Intake Manifold/Throttle Body)
95	593897		SCREW -(Throttle Valve)
98	846477		KIT, Idle Speed
127	691742		PLUG, Welch
130	846476		VALVE, Throttle
163	807375		GASKET, Air Cleaner
187	791766		LINE, Fuel -(15 Inches Long)(Cut to Required Length)
187	791745		LINE, Fuel -(23 Inches )(Cut To Required Length)
187A	846475		LINE, Fuel
240	845125		FILTER, Fuel
333	84005190		ARMATURE, Magneto
334	841552		SCREW -(Magneto Armature) (M5x20mm)
387	846470		PUMP, Fuel
480	841233		SCREW -(Tube Clamp) (M6x10mm)
527	690423		CLAMP, Tube
601B	791850		CLAMP, Hose -(Green)
601C	691038		CLAMP, Hose -(Black)
635	692076		BOOT, Spark Plug
964	590799		CAP, Connector
1130	841590		STUD -(Intake Manifold)
1174	842067		NUT -(Intake Manifold)
1480	593852		INJECTOR, Fuel
1482	846474		BODY, Throttle
1486	593905		SENSOR, Temperature/Manifold Absolute Pressure (MAP)
1489	807435		SCREW -(TEMP/MAP Sensor) (Intake Manifold)
1490	807084		SCREW -(Fuel Injector)
1491	807435		SCREW -(Throttle Body) (M6x20mm)
1491A	807084		SCREW -(Throttle Body) (M6x14mm)
1492	846478		SENSOR, Throttle
1493	847169		SCREW -(Throttle Sensor)
1494	846479		VALVE, Idle Air
1495	847169		SCREW -(Idle Air Valve)



## Regulator, Alternator, Wires, ECU

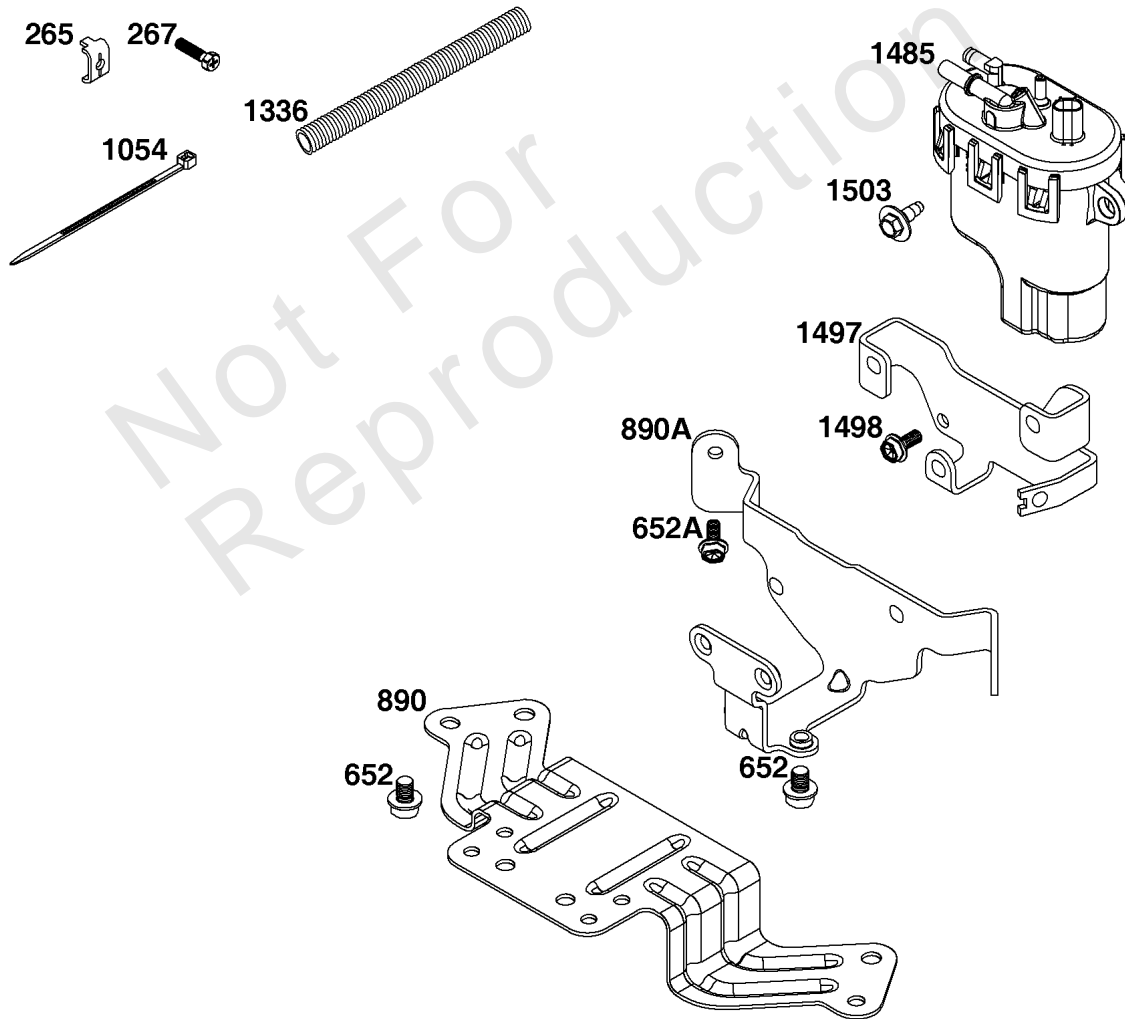
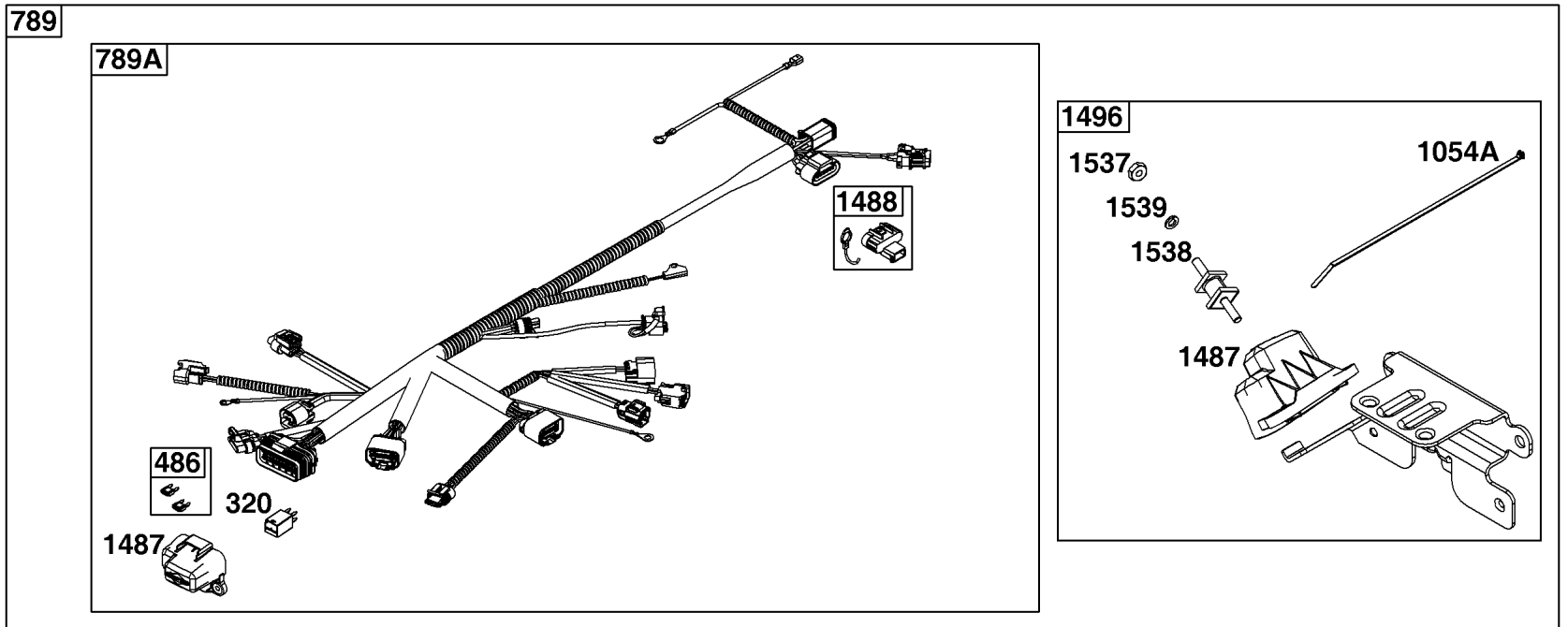
REF NO	PART NO	QTY	DESCRIPTION
309	845760		MOTOR, Starter
474	841178		ALTERNATOR
480	841233		SCREW -(Tube Clamp) (M6x10mm)
501	848220		REGULATOR -Used Before Code Date 17060100
501A	848221		REGULATOR -Used After Code Date 17053100 -Used Before Code Date 18021200
501B	848187		REGULATOR -Used After Code Date 18021100
526	690717		SCREW -(Regulator) (M6x30mm)
526A	847149		SCREW -(Regulator) (M6x32mm)
527	690423		CLAMP, Tube
578	846423		WIRE ASSEMBLY
587	807116		CLAMP, Cable
697	690711		SCREW -(Starter Motor) (Drive Cap) (M8x38mm)
789	846776		HARNESS, Wiring
893	845758		NUT -(Starter Solenoid)
920	846737		SOLENOID, Starter
1054A	861206		TIE, Cable -(Black, Nylon)
1119	691552		SCREW -(Alternator)
1500	846484		MODULE, Electronic Control -(Not Programmed) (Not Programmed)
1510	841552		SCREW -(Electronic Control Module) (M5x20mm)
1520	847148		CAPACITOR
1520A	847147		CAPACITOR

## Replacement Engine - US & Canada

REF NO	PART NO	QTY	DESCRIPTION
	791244	1	Replacement Short Block
	61E4770007	1	Replacement Engine
	-----		Top No-Load Speed: 4750 -Trim: ALL
	-----		Service Note: P/N 848080 Governor Stop required when using Short Block.

Not For Reproduction





## Wire Harness, Fuel Module, Brackets

REF NO	PART NO	QTY	DESCRIPTION
265	691024		CLAMP, Casing -(Control Bracket)
267	841552		SCREW -(Casing Clamp) (M5x20mm)
320	593902		RELAY(S) -(Wire Harness)
486	593901		FUSE
652	845964		SCREW -(Support Bracket) (M6x10mm)
652A	807084		SCREW -(Support Bracket) (M6x14mm)
789	847336		HARNESS, Wiring -Before Code Date 16080100
789A	846867		HARNESS, Wiring -After Code Date 16073100
890	846493		BRACKET, Support -(Fuel Module Heat Shield)
890A	846506		BRACKET, Support -(Fuel Module)
1054	280275		TIE, Cable -(Clear, Nylon)
1054A	861206		TIE, Cable -(Black, Nylon)
1336	841015		SHIELD, Wire Protective -(Cut To Required Length)
1485	593890		MODULE, Fuel
1487	847334		COVER, Fuse
1488	593899		COVER, Diagnostic
1496	847337		COVER, Fuse
1497	846505		BRACKET, Fuel Module
1498	807084		SCREW -(Fuel Module Bracket)
1503	594618		SCREW -(Fuel Module) (1/4-20x.5)
1537	703460		NUT -(Fuse Cover)
1538	847332		STUD -(Fuse Cover)
1539	847333		WASHER -(Fuse Cover)

