

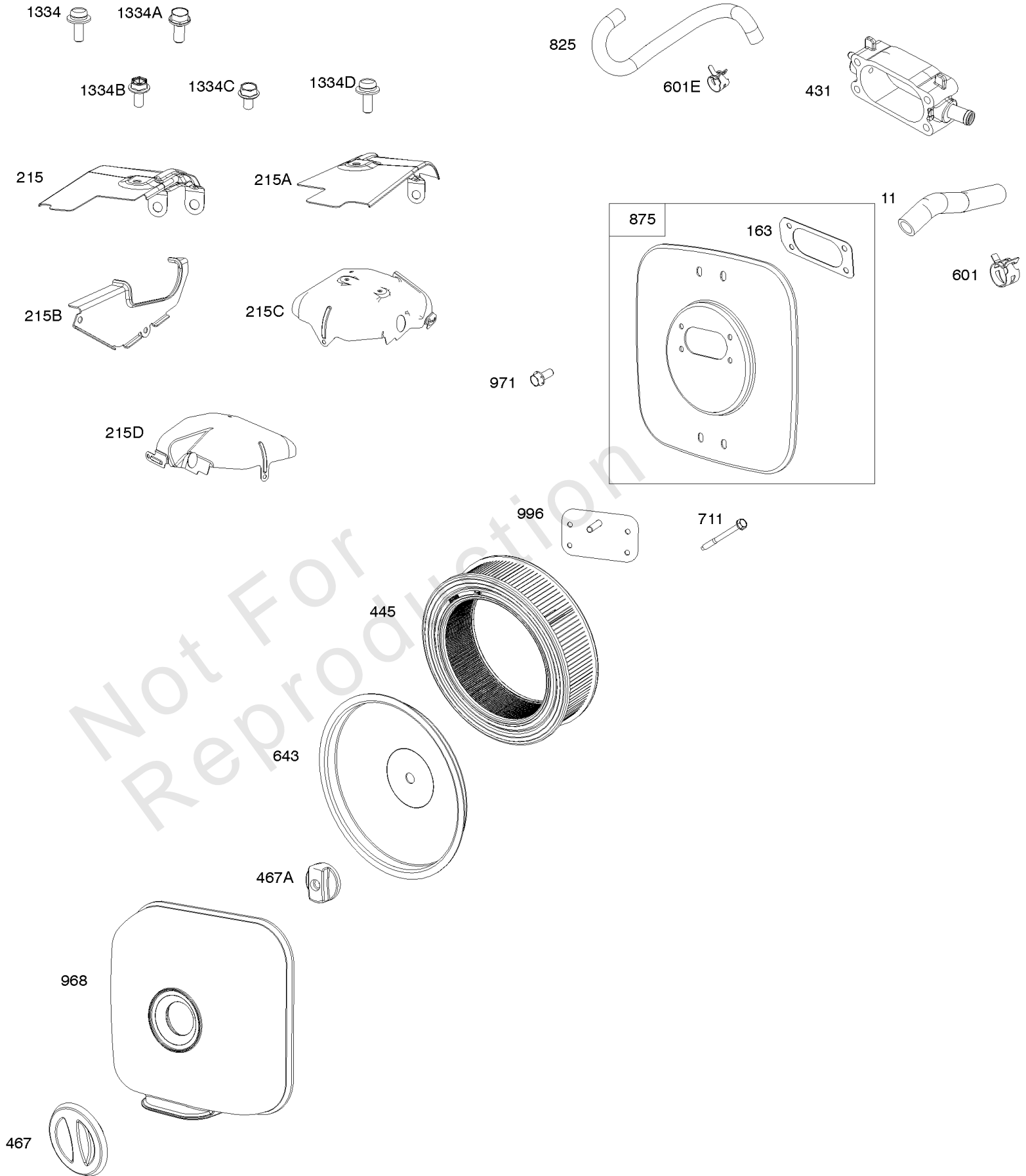


Parts Manual

Mfg. No: 61E977-0004-J1

Model Components	Page
Air Cleaner, Air Guides.....	4
Blower Housing, Flywheel, Oil Cooler.....	6
Cylinder Heads, Rocker Covers.....	8
Cylinder, Engine Sump, Piston/Rings/Rod, Camshaft.....	10
Engine Gasket Set, Valve Gasket Set.....	14
Intake Manifold, Throttle Body, Fuel Supply.....	16
Regulator, Alternator, Electric Starter, ECM, Tach.....	20
Replacement Engine - US & Canada.....	22

Not For
Reproduction



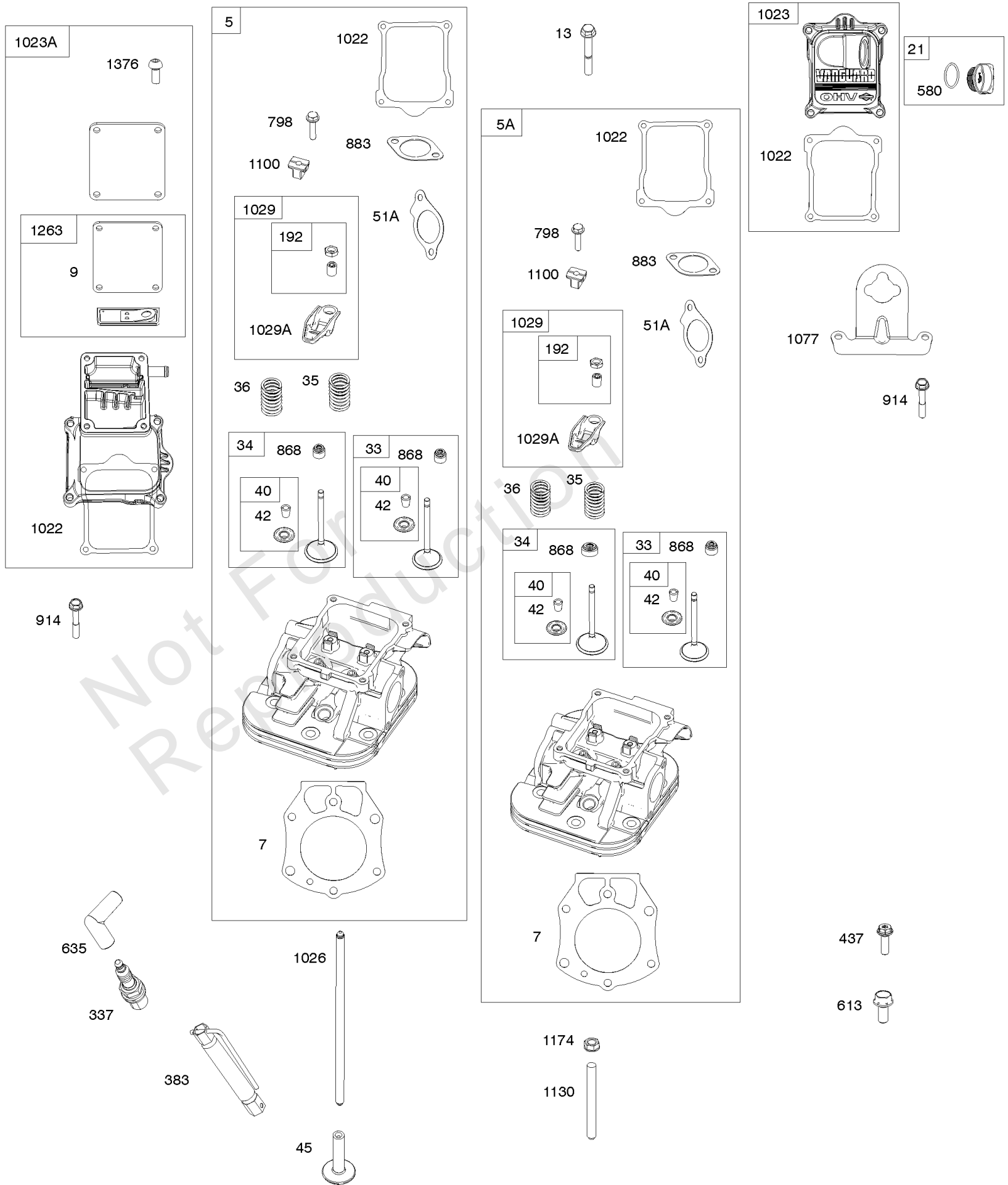
Not For
Reproduction

Air Cleaner, Air Guides

REF NO	PART NO	QTY	DESCRIPTION
11	846462		TUBE, Breather
163	843117		GASKET, Air Cleaner
215	846455		GUIDE, Air -(Cylinder #1)
215A	846460		GUIDE, Air -(Valley)
215B	846458		GUIDE, Air
215D	809897		GUIDE, Air -(Cylinder #2)
215C	809738		GUIDE, Air -(Cylinder #1)
431	846482		MANIFOLD, Intake
445	692519		FILTER, A/C Cartridge
467	846008		KNOB, Air Cleaner Cover
467A	846432		KNOB, Air Cleaner Cover
601	844405		CLAMP, Hose -(Breather Tube)
601E	846483		CLAMP, Hose -(Air Hose)
643	844932		RETAINER, Air Filter
711	806444		SCREW -(Carburetor Shield)
825	846491		HOSE, Air
875	843118		BASE, Air Cleaner
968	846323		COVER, Air Cleaner
971	692062		SCREW -(Air Cleaner Base to Carburetor/Throttle Body) (M8x18mm)
996	846006		SHIELD, Carburetor
1334	690677		SCREW -(Air Guide) (M8x12mm)
1334A	692062		SCREW -(Air Guide) (M8x18mm)
1334D	807435		SCREW -(Air Guide) (M6x20mm)
1334B	807084		SCREW -(Air Guide) (M6x14mm)
1334C	841233		SCREW -(Air Guide) (M6x10mm)

Blower Housing, Flywheel, Oil Cooler

REF NO	PART NO	QTY	DESCRIPTION
23	846461		FLYWHEEL -(20/50 Amp)
24	796335		KEY, Flywheel -(Steel)
304	846481		HOUSING, Blower
363	19203		PULLER, Flywheel
400	846249		COOLER, Oil
405	841233		SCREW -(Back Plate) (M6x10mm)
405A	841735		SCREW -(Back Plate) (M6x14mm)
417	846250		SCREW -(Oil Cooler) (Top) (M6x16mm)
417A	841233		SCREW -(Oil Cooler) (Bottom) (M6x10mm)
573	846840		PLATE, Back
601B	841597		CLAMP, Hose -(Oil Cooler Hose)
601C	845209		CLAMP, Hose -(Oil Cooler Hose)
668	841974		SPACER -(Blower Housing)
829	846248		HOSE, Oil Cooler
829A	846247		HOSE, Oil Cooler
879	846480		COVER, Carburetor/EFI
934	807421		SCREW -(Fan Retainer) (M6x25mm) -Used After Code Date 15080600
934A	841205		SCREW -(Fan Retainer) (M6x24mm) -Used Before Code Date 15080700
1005	846995		FAN, Flywheel -Used After Code Date 14093000
1005A	847199		FAN, Flywheel -Used Before Code Date 14100100
1006A	847198		RETAINER, Fan -Used Before Code Date 14100100
1027	842921		FILTER, Oil
1059	845300		KIT, Screw/Washer -(Carburetor/EFI Cover)
1070	807435		SCREW -(Flywheel Fan)
1212	809958		STUD -(Blower Housing)
1366	841510		DIVERTER, Oil Cooler
1369	842858		GUARD, Flywheel Fan
1370	841233		SCREW -(Flywheel Fan Guard) (M6x10mm)
1371	841537		NUT -(Flywheel Fan Guard)
1374	841506		SEAL, O-Ring -(Oil Cooler Diverter)
1378	844795		SET, Washer/Nut -(Flywheel)
1413	846457		SENSOR, Speed
1502	846868		SCREW -(Speed Sensor) (M4x18mm)

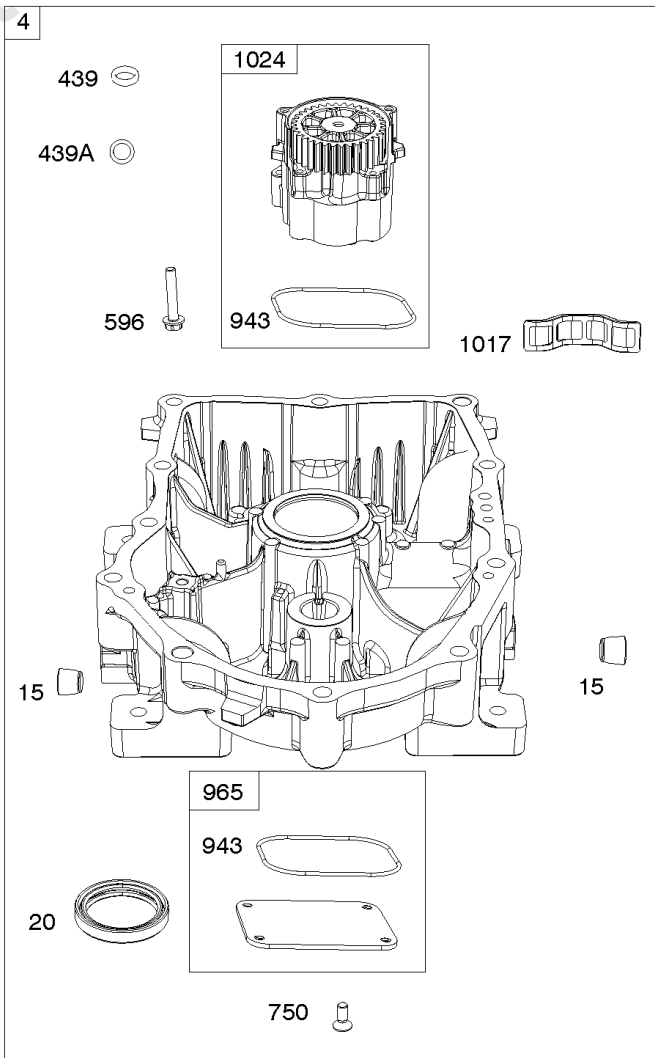
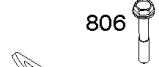
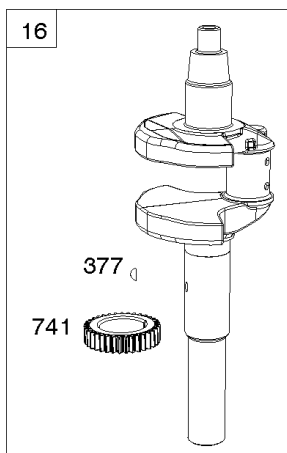
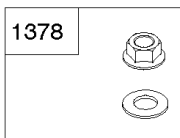
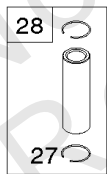
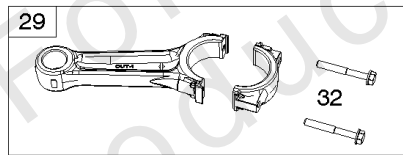
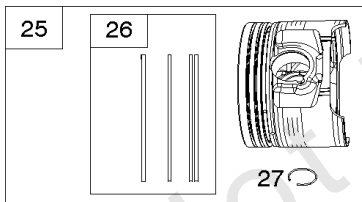
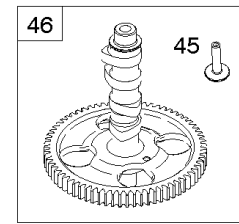
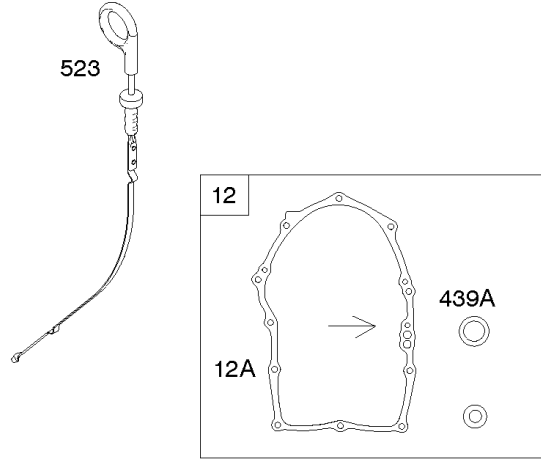
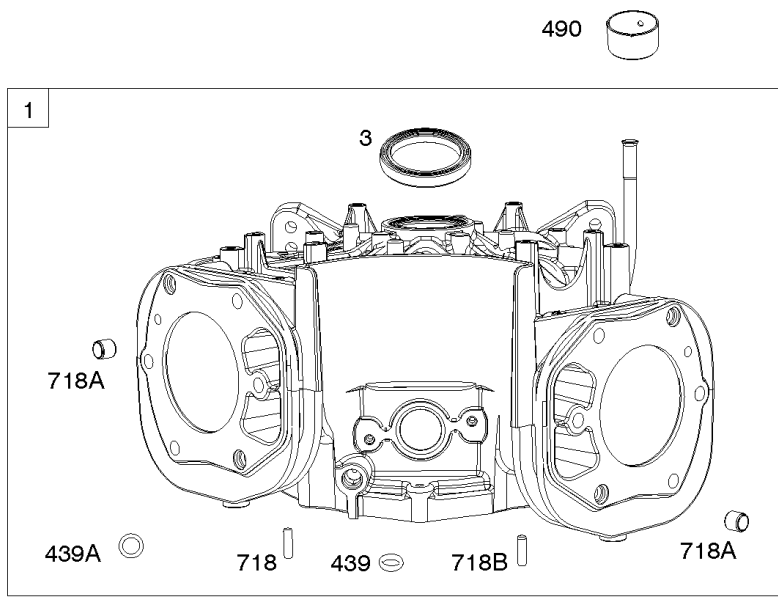


Cylinder Heads, Rocker Covers

REF NO	PART NO	QTY	DESCRIPTION
5	846463		HEAD, Cylinder -(Cylinder 1)
5A	846464		HEAD, Cylinder -(Cylinder 2)
7	809730		GASKET, Cylinder Head
9	842545		GASKET, Breather
13	809784		SCREW -(Cylinder Head) (M9x70mm)
21	843464		CAP, Oil Fill
33	844787		VALVE, Exhaust
34	846469		VALVE, Intake
35	845589		SPRING, Valve -(Intake) (Intake) (Pink)
36	845589		SPRING, Valve -(Exhaust) (Exhaust) (Pink)
40	844788		RETAINER, Valve
42	807683		KEEPER, Valve
45	809785		TAPPET, Valve
51A	841592		GASKET, Intake
192	690083		ADJUSTER, Rocker Arm
337	792015		PLUG, Spark
383	19576S		WRENCH, Spark Plug
437	809743		SCREW -(Exhaust Manifold) (M8x25mm)
580	809894		SEAL, O-Ring -(Oil Fill Cap)
613	692062		SCREW -(Muffler) (M8x18mm)
635	692076		BOOT, Spark Plug
798	691492		SCREW -(Rocker Arm) (M6x30mm)
868	691963		SEAL, Valve
883	809872		GASKET, Exhaust
914	807357		SCREW -(Rocker Cover) (M6x40mm)
1022	809732		GASKET, Rocker Cover
1023	842540		COVER, Rocker -(Rocker Cover #2)
1023A	842543		COVER, Rocker -(Rocker Cover #1)
1026	809783		ROD, Push -(Intake and Exhaust)
1029	690972		ARM, Rocker
1029A	807323		ARM, Rocker
1077	809729		BRACKET, Lifting
1100	791959		PIVOT, Rocker Arm
1130	841590		STUD -(Intake Manifold)
1174	842067		NUT -(Intake Manifold)
1263	842544		REED, Breather
1376	842547		SCREW -(Breather Reed Cover)

1036

1330

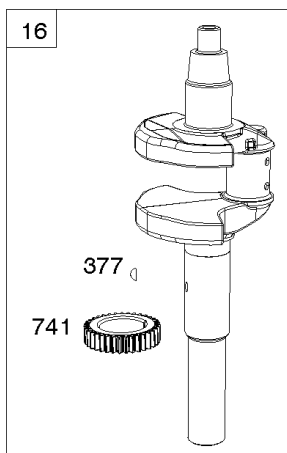
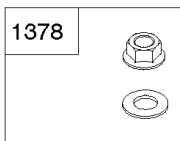
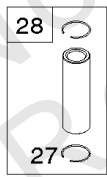
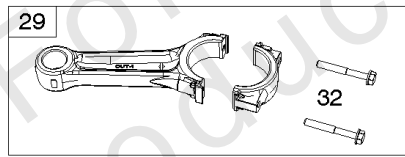
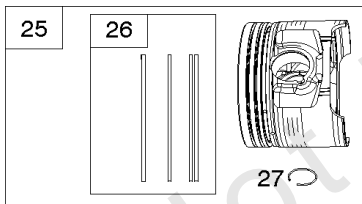
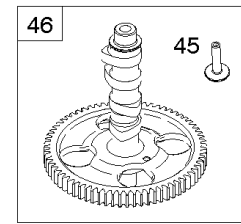
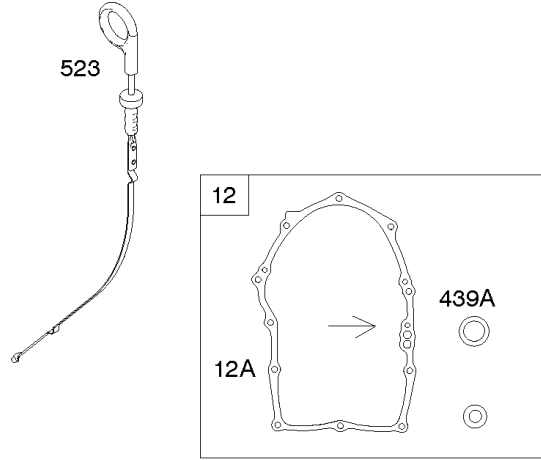
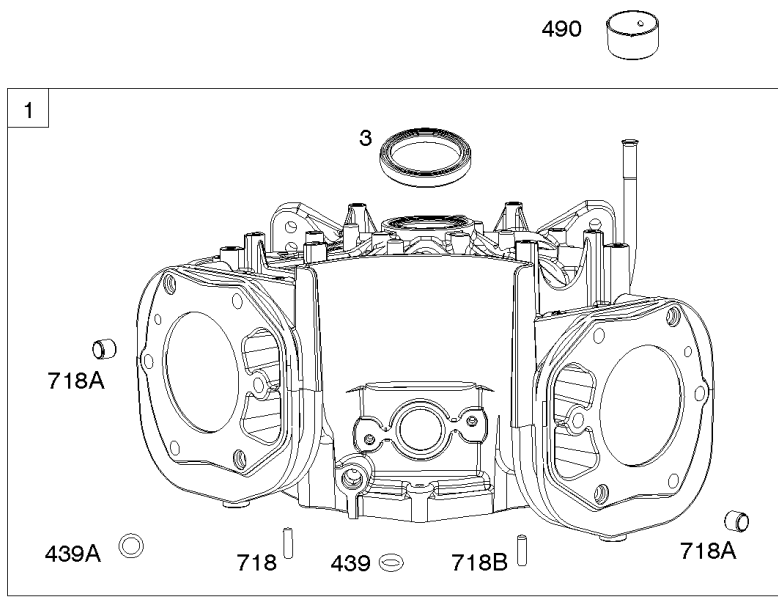


Cylinder, Engine Sump, Piston/Rings/Rod, Camshaft

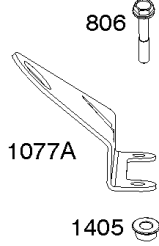
REF NO	PART NO	QTY	DESCRIPTION
1	846465		CYLINDER ASSEMBLY
3	841596		SEAL, Oil -(Magneto Side)
4	846466		SUMP, Engine
12	846037		GASKET, Crankcase -(Metal Core Gasket)
12A	843969		GASKET, Crankcase -(Metal Core Gasket)
15	691680		PLUG, Oil Drain
16	842268		CRANKSHAFT
20	841596		SEAL, Oil -(PTO Side)
22	690676		SCREW -(Crankcase Cover/Sump) (M8x63mm)
24	796335		KEY, Flywheel -(Steel)
25	841837		PISTON ASSEMBLY -(Standard)
25	842939		PISTON ASSEMBLY -(.020 Oversize)
26	809972		SET, Ring -(Standard)
26	841932		SET, Ring -(.020 Oversize)
27	807351		LOCK, Piston Pin
28	807361		PIN, Piston
29	841838		ROD, Connecting
32	807363		SCREW -(Connecting Rod)
45	809785		TAPPET, Valve
46	809879		CAMSHAFT
239	841281		SWITCH, Oil Pressure
377	691639		KEY, Timing
415	794903		PLUG -(Oil Pressure Switch)
439	692154		O-RING, Oil Gallery -(Crankcase Cover/Sump or Cylinder Assembly)
439A	846027		O-RING, Oil Gallery -(Crankcase Cover/Sump or Cylinder Assembly)
490	843433		BEARING, Magneto Side
523	842542		DIPSTICK
596	807385		SCREW -(Oil Pump)
718	690959		PIN, Locating -(Cylinder)
718A	809508		PIN, Locating -(Cylinder Head)
718B	845925		PIN, Locating -(Cylinder)
741	809432		GEAR, Timing
750	842537		SCREW -(Oil Pump Cover)
806	807362		SCREW -(Lifting Bracket) (M8x50mm)
943	842538		SEAL, O-Ring -(Oil Pump Cover)
965	842536		COVER, Oil Pump

1036

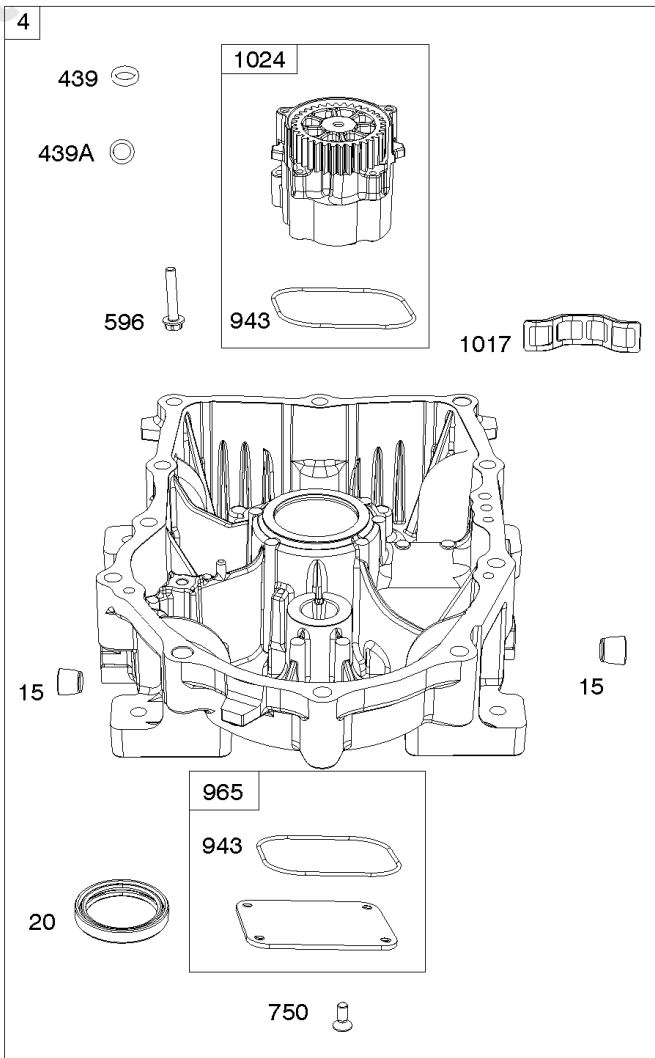
1330



24



1013



239

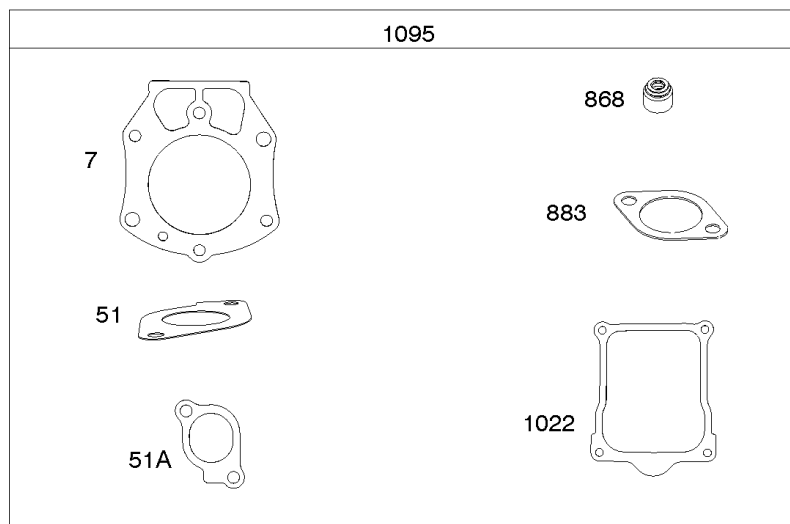
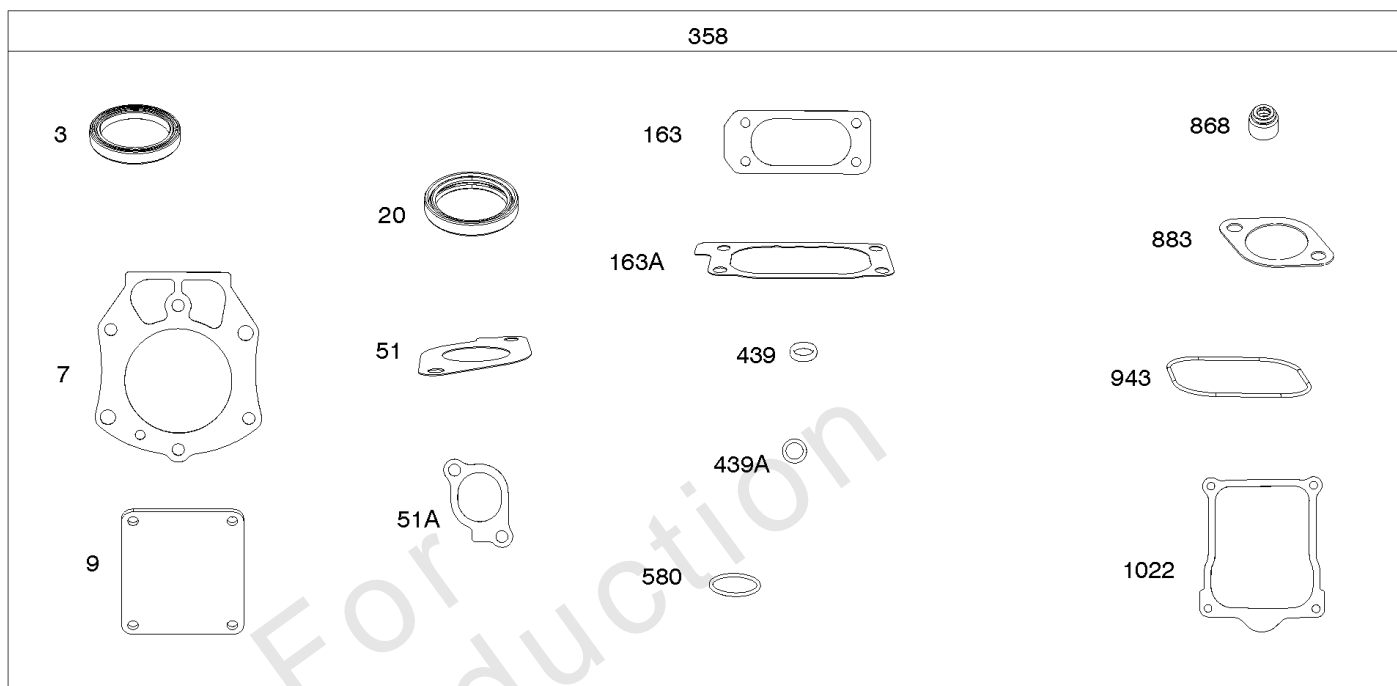


415

Cylinder, Engine Sump, Piston/Rings/Rod, Camshaft

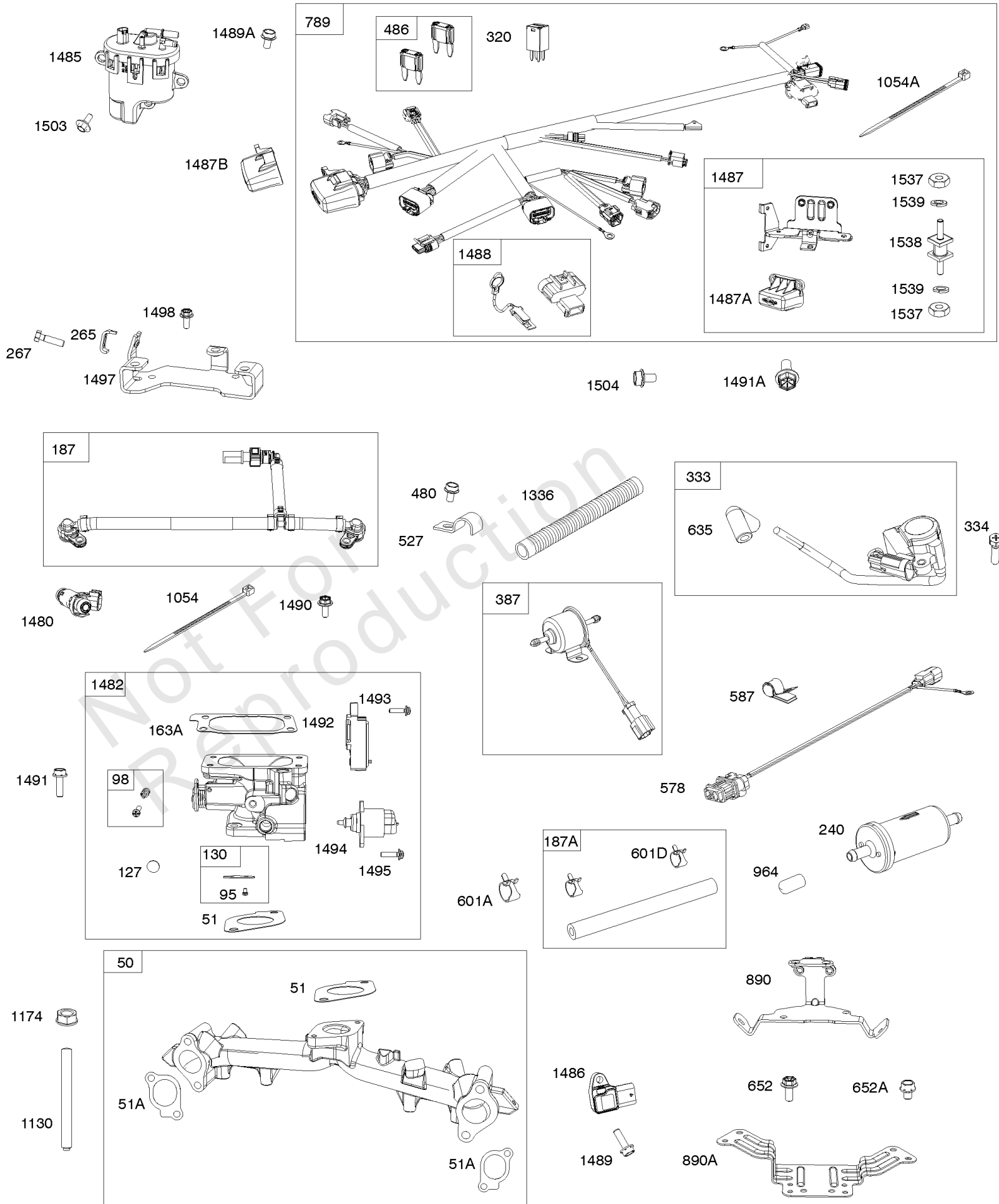
REF NO	PART NO	QTY	DESCRIPTION
1013	841602		NIPPLE, Oil Filter
1017	842535		SCREEN, Oil Pump
1024	846026		PUMP, Oil
1036	-----		Label-Emissions -(Available From A Briggs & Stratton Authorized Dealer)
1077A	842616		BRACKET, Lifting
1330	-----		Repair Manual -(Not Available At This Printing)
1378	844795		SET, Washer/Nut -(Flywheel)
1405	690941		NUT -(Lifting Bracket)

Not For Reproduction



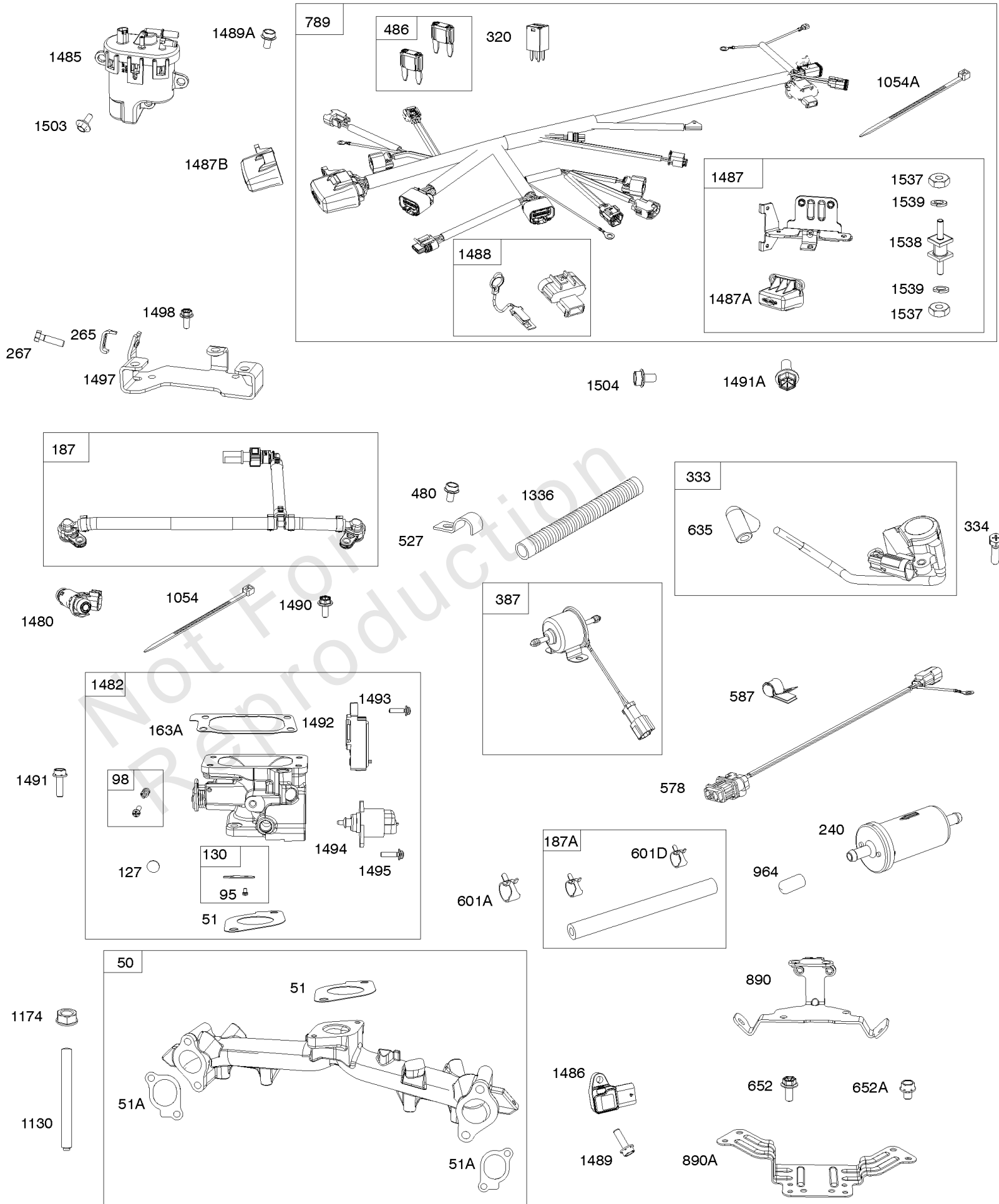
Engine Gasket Set, Valve Gasket Set

REF NO	PART NO	QTY	DESCRIPTION
3	841596		SEAL, Oil -(Magneto Side)
7	809730		GASKET, Cylinder Head
9	842545		GASKET, Breather
20	841596		SEAL, Oil -(PTO Side)
51	846473		GASKET, Intake -(Intake Manifold/Throttle Body)
51A	841592		GASKET, Intake
163	843117		GASKET, Air Cleaner
163A	807375		GASKET, Air Cleaner
358	846498		GASKET SET, Engine
439	692154		O-RING, Oil Gallery -(Crankcase Cover/Sump or Cylinder Assembly)
439A	846027		O-RING, Oil Gallery -(Crankcase Cover/Sump or Cylinder Assembly)
580	809894		SEAL, O-Ring -(Oil Fill Cap)
868	691963		SEAL, Valve
883	809872		GASKET, Exhaust
943	842538		SEAL, O-Ring -(Oil Pump Cover)
1022	809732		GASKET, Rocker Cover
1095	846499		GASKET SET, Valve



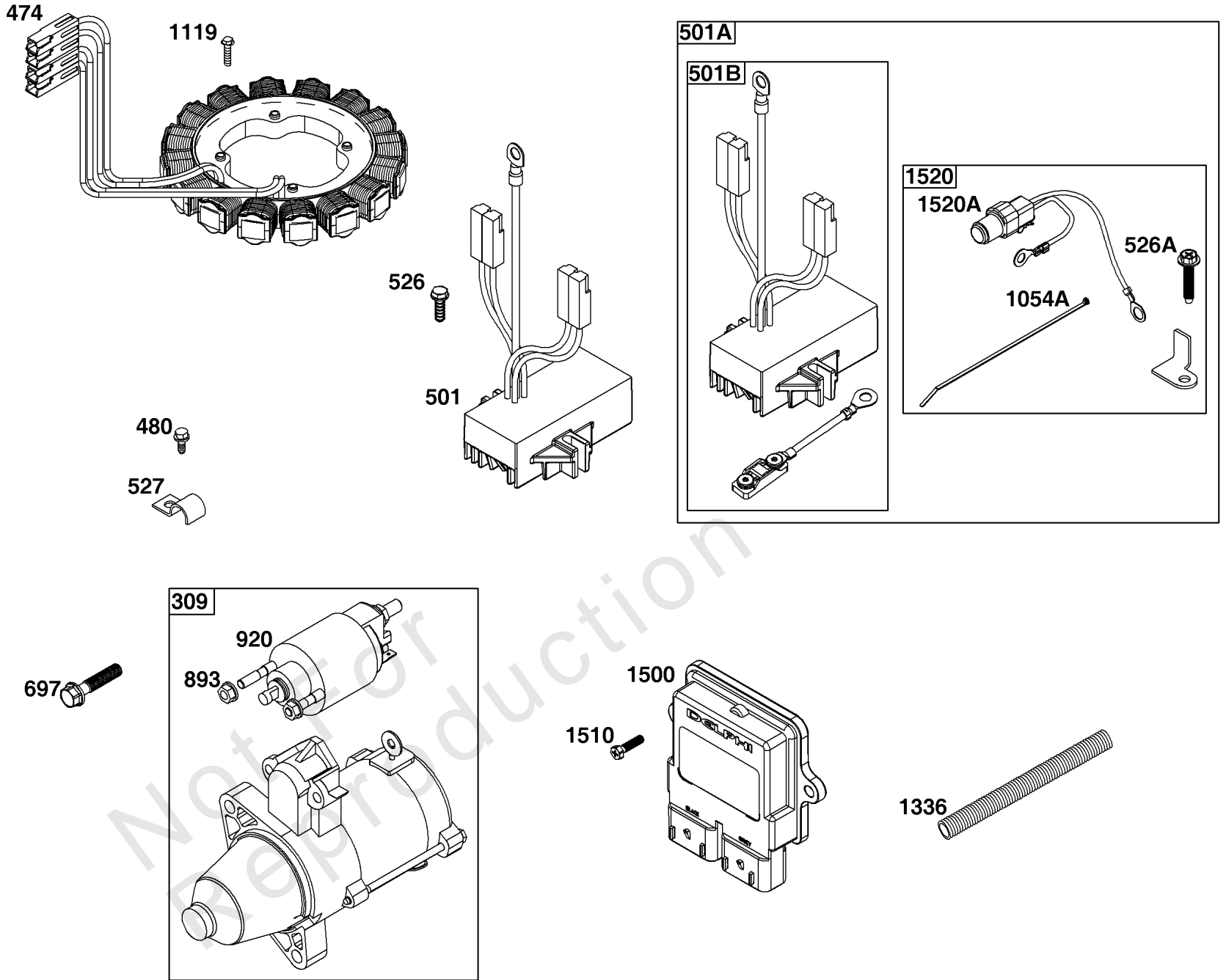
Intake Manifold, Throttle Body, Fuel Supply

REF NO	PART NO	QTY	DESCRIPTION
50	846472		MANIFOLD, Intake
51	846473		GASKET, Intake -(Intake Manifold/Throttle Body)
51A	841592		GASKET, Intake
95	593897		SCREW -(Throttle Valve)
98	846477		KIT, Idle Speed
127	691742		PLUG, Welch
130	846476		VALVE, Throttle
163A	807375		GASKET, Air Cleaner
187	846500		LINE, Fuel
187A	791766		LINE, Fuel -(15 Inches Long)(Cut To Required Length)
187A	791745		LINE, Fuel -(23) (Cut to Required Length)
240	845125		FILTER, Fuel
265	691024		CLAMP, Casing
267	841552		SCREW -(Casing Clamp) (M5x20mm)
320	593902		RELAY(S)
333	846490		ARMATURE, Magneto -(Cylinders 1 and 2)
334	841552		SCREW -(Magneto Armature) (M5x20mm)
387	846470		PUMP, Fuel
480	841233		SCREW -(Tube Clamp)
486	593901		FUSE
527	690423		CLAMP, Tube
578	846423		WIRE ASSEMBLY
587	807116		CLAMP, Cable
601A	691038		CLAMP, Hose -(Black)
601D	791850		CLAMP, Hose -(Green)
635	692076		BOOT, Spark Plug
652	807084		SCREW -(Support Bracket) (M6x14mm)
652A	845964		SCREW -(Support Bracket) (Support Bracket to Support Bracket) (M8x10mm)
789	847336		HARNESS, Wiring
890	846492		BRACKET, Support
890A	846493		BRACKET, Support
964	590799		CAP, Connector
1054	280275		TIE, Cable -(Clear, Nylon)
1054A	861206		TIE, Cable -(Black, Nylon)
1130	841590		STUD -(Intake Manifold)
1174	842067		NUT -(Intake Manifold)
1336	841015		SHIELD, Wire Protective -(Cut To Required Length)
1480	593852		INJECTOR, Fuel
1482	846474		BODY, Throttle



Intake Manifold, Throttle Body, Fuel Supply

REF NO	PART NO	QTY	DESCRIPTION
1485	593890		MODULE, Fuel
1486	593905		SENSOR, Temperature/Manifold Absolute Pressure (MAP)
1487	847337		COVER, Fuse -(Kit)
1487A	847334		COVER, Fuse -Used After Code Date 15082700
1487B	593900		COVER, Fuse -Used Before Code Date 15072800
1488	593899		COVER, Diagnostic
1489	807435		SCREW -(TEMP/MAP Sensor) (M6x20mm)
1489A	846459		SCREW -(TEMP/MAP Sensor) (M5x10mm)
1490	807084		SCREW -(Fuel Injector) (M6x14mm)
1491	807435		SCREW -(Throttle Body) (M6x20mm)
1491A	807084		SCREW -(Throttle Body) (M6x14mm)
1492	846478		SENSOR, Throttle
1493	847169		SCREW -(Throttle Sensor)
1494	846479		VALVE, Idle Air
1495	847169		SCREW -(Idle Air Valve)
1497	846486		BRACKET, Fuel Module
1498	807084		SCREW -(Fuel Module Bracket) (M6x14mm)
1503	594618		SCREW -(Fuel Module) (1/4-20x.5)
1504	841233		SCREW -(Fuse Cover) (Wire Harness) (M6x10mm)
1537	703460		NUT -(Fuse Cover)
1538	847332		STUD -(Fuse Cover)
1539	847333		WASHER -(Fuse Cover) (Lockwasher)



Regulator, Alternator, Electric Starter, ECM, Tach

REF NO	PART NO	QTY	DESCRIPTION
309	845761		MOTOR, Starter
474	841178		ALTERNATOR -(20/50 Amp)
480	841233		SCREW -(Tube Clamp)
501	848220		REGULATOR -Used Before Code Date 17060100
501A	848221		REGULATOR -Used After Code Date 17053100 -Used Before Code Date 18021200
501B	848187		REGULATOR -Used After Code Date 18021100
526	847149		SCREW -(Regulator) (M6x32mm) -Used After Code Date 16022900
526A	690717		SCREW -(Regulator) (M6x30mm) -Used Before Code Date 16030100
527	690423		CLAMP, Tube
697	690711		SCREW -(Starter Motor) (Drive Cap)
893	845758		NUT -(Starter Solenoid)
920	846737		SOLENOID, Starter
1054A	861206		TIE, Cable -(Black, Nylon)
1119	691552		SCREW -(Alternator)
1336	841015		SHIELD, Wire Protective -(Cut To Required Length)
1500	846484		MODULE, Electronic Control -(Not Programmed) (Not Programmed)
1510	841552		SCREW -(Electronic Control Module) (M5x20mm)
1520	847148		CAPACITOR
1520A	847147		CAPACITOR

Replacement Engine - US & Canada

REF NO	PART NO	QTY	DESCRIPTION
	61E9770004	1	Replacement Engine
	-----		Top No-Load Speed: 4800 -Trim: J1

Not For Reproduction

