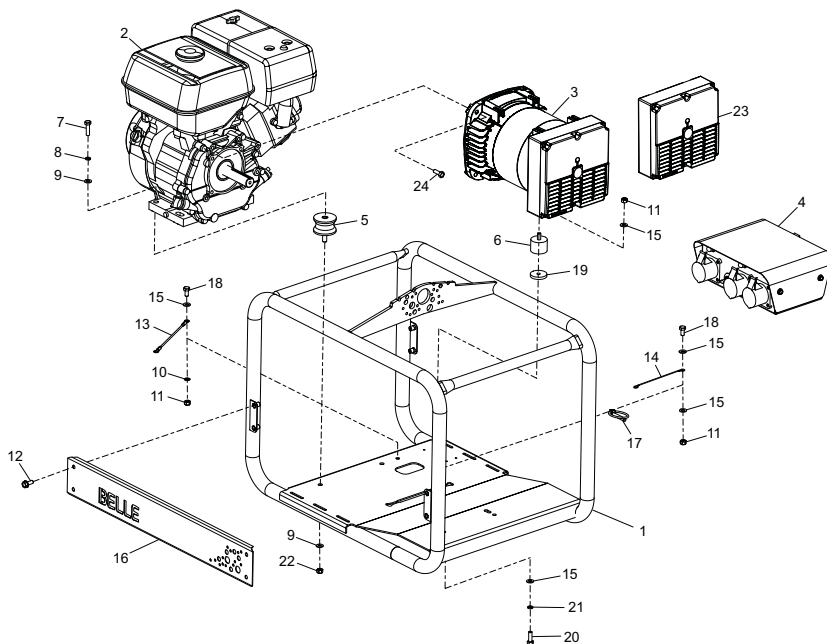


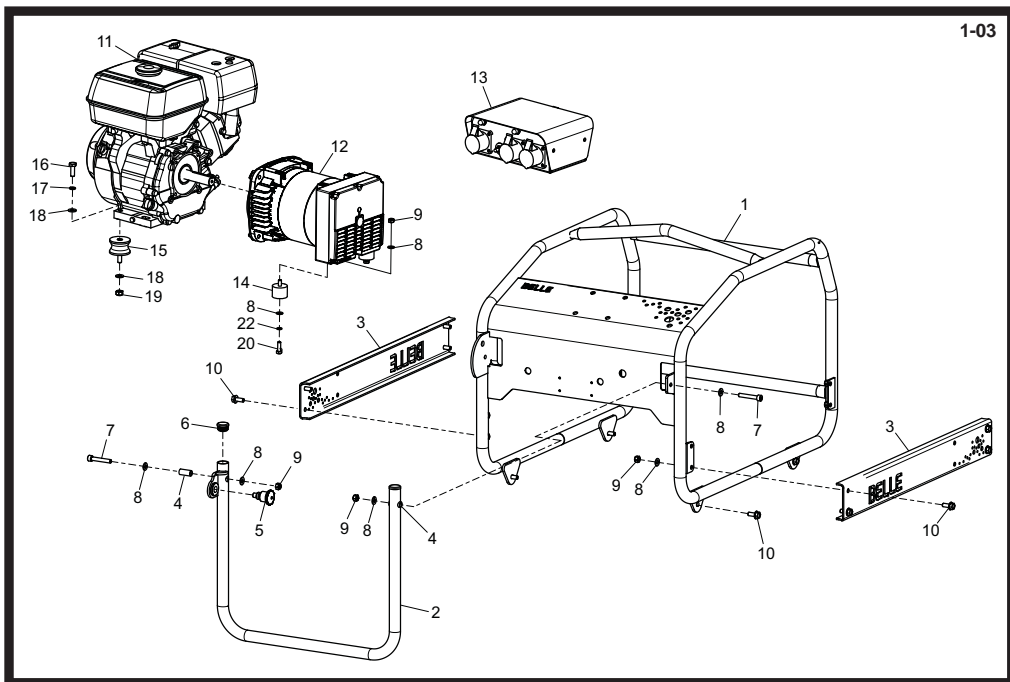
Main Assembly - GPX 2700 & 3400

1	996/00400SP Frame	1
2	20/0132 Engine.....	Honda GX200..... 1
3	996/01500 Alternator.....	1
4	See 2-01 Control Box.....	GPX 2700..... 1
5	See 2-02 Control Box.....	GPX 3400..... 1
5	21/0157 Anti-Vibration Mount	2
6	21/0436 Anti-Vibration Mount	2
7	7/8009 Screw	M8 x 30..... 2
8	4/8003 Washer	M8..... 4
9	4/8006 Washer	M8..... 11
10	8/8008 Nut	M8..... 6
11	7/8037 Screw	M8 x 20..... 8
12	71/0316 Earth Cable.....	1
13	914/25303 Retaining Cable	1
14	7/8008 Screw	M8 x 16..... 4
15	996/99906S Side Guard.....	Orange..... 2
15	996/99906B Side Guard.....	Blue..... 2
15	996/99906G Side Guard.....	Green..... 2
15	996/99906R Side Guard.....	Red..... 2
15	996/99906Y Side Guard.....	Yellow..... 2
15	996/99906W Side Guard.....	White..... 2
16	3/1007 Lynch Pin.....	1
17	71/0316 Earth Cable.....	1
18	996/99910 Alternator Cover.....	1
19	9/0005 Screw.....	5/16 x 7/8..... 4



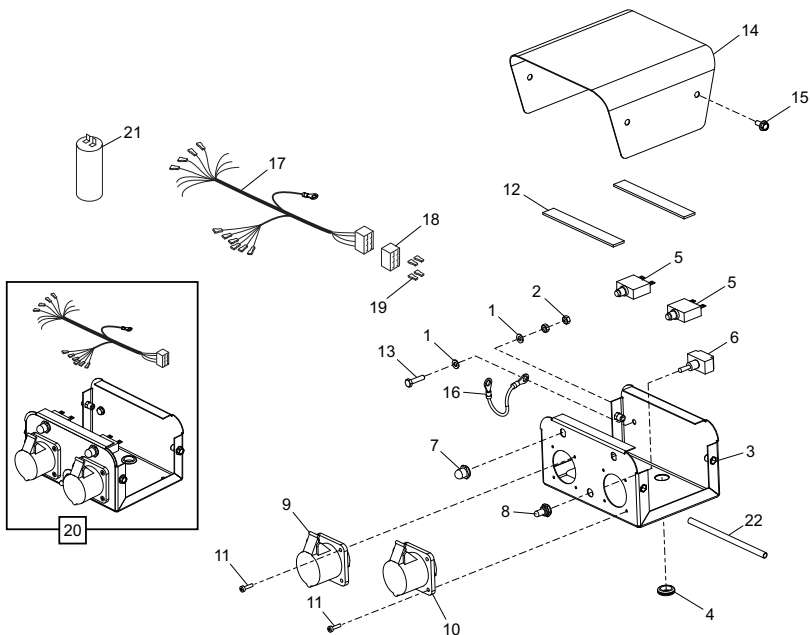
Main Assembly - GPX 5000

1	996/00600SP	Frame	1
2	20/0133	Engine	Honda GX270
3	996/01700	Alternator	1
4	See 2-03	Control Box	1
5	21.0.292	Anti-Vibration Mount	2
6	21/0157	Anti-Vibration Mount	2
7	7/10010	Screw	M10 x 30
8	4/1003	Washer	M10
9	4/1005	Washer	M10
10	4/8002	Washer	M8
11	8/8008	Nut	M8
12	7/8037	Screw	M8 x 20
13	71/0317	Earth Cable	1
14	914/25303	Retaining Cable	1
15	4/8006	Washer	M8
16	996/99907S	Side Guard	Orange
16	996/99907B	Side Guard	Blue
16	996/99907G	Side Guard	Green
16	996/99907R	Side Guard	Red
16	996/99907Y	Side Guard	Yellow
16	996/99907W	Side Guard	White
17	3/1007	Lynch Pin	1
18	7/8008	Screw	M8 x 16
19	4/8023	Washer	M8 x 40
20	7/8012	Screw	M8 x 25
21	4/8003	Washer	M8
22	8/10006	Nut	M10
23	996/99910	Alternator Cover	1
24	10-342-0616P	Screw	5/16 x 7/8



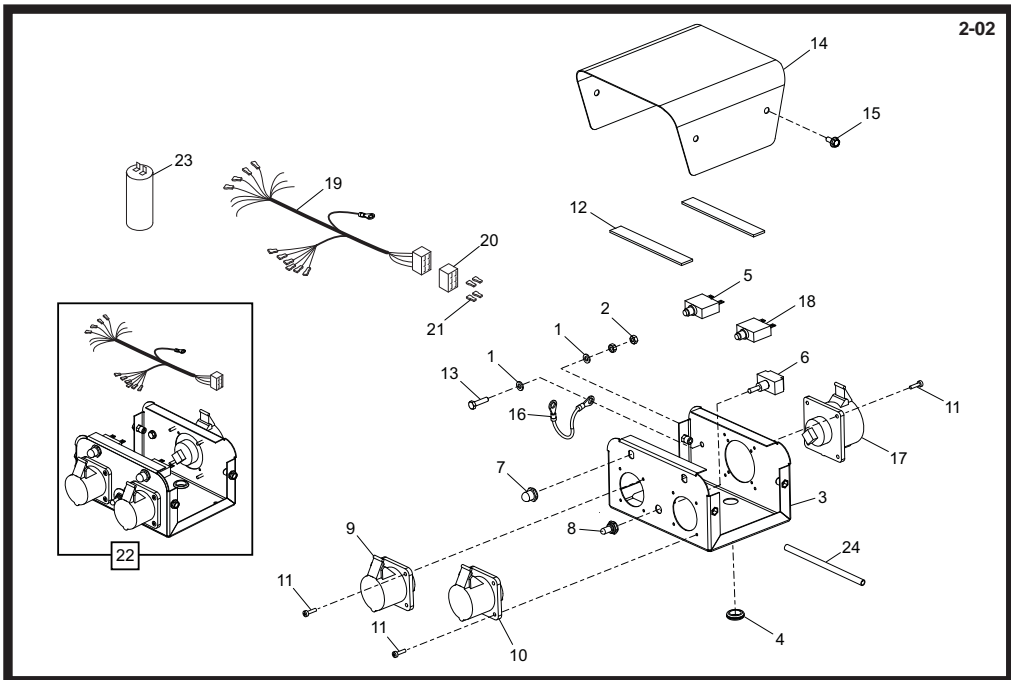
Main Assembly - GPX 5000W

1	996/00800	Frame	1	
2	02399	Handle	1	
3	996/99913S	Side Guard	Orange	2
3	996/99913B	Side Guard	Blue	2
3	996/99913G	Side Guard	Green	2
3	996/99913R	Side Guard	Red	2
3	996/99913Y	Side Guard	Yellow	2
3	996/99913W	Side Guard	White	2
4	02364	Tube Insert	2	
5		Plunger	1	
6	3/4035	Plug	26mm	2
7	7/8101	Screw	M8 x 50	2
8	4/8006	Washer	M8	16
9	8/8008	Nut	M8	12
10	7/8037	Screw	M8 x 20	12
11	20/0133	Engine	Honda GX270	1
12	996/01700	Alternator	5.0kVA	1
13	See 2-03	Control Box		1
14	21/0157	Anti-Vibration Mount		2
15	21.0.292	Anti-Vibration Mount		2
16	7/10010	Screw	M10 x 30	2
17	4/1003	Washer	M10	2
18	4/1005	Washer	M10	4
19	8/10006	Nut	M10	2
20	7/8012	Screw	M8 x 25	2
22	4/8003	Washer	M8	2



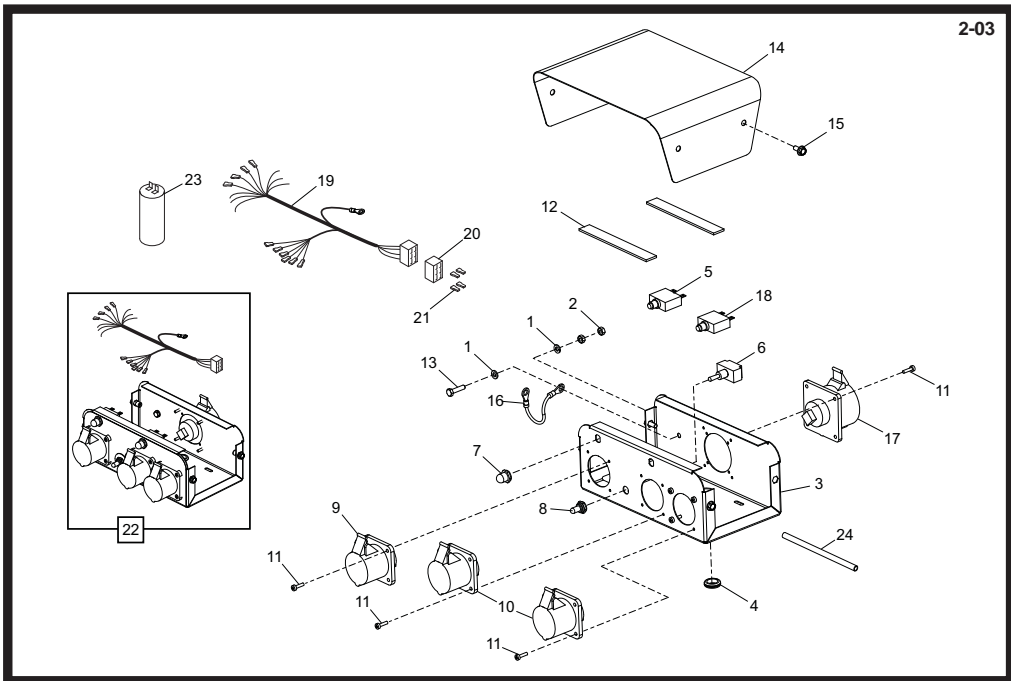
Control Box - GPX 2700

1	4/6001 Washer	M6	2
2	8/6001 Nut	M6	2
3	996/00301SP Control Box Cover		1
4	3/4019 Grommet		1
5	918/40100 Circuit Breaker	20 Amp	2
6	918/13000 Switch 2-Pole		1
7	70/0314 Breaker Switch Cover		2
8	70/0313 Pole Switch Cover		1
9	922/02100 Socket	230v - 16 Amp	1
10	922/02000 Socket	110v - 16 Amp	1
11	7/4003 Screw	M4 x 16	8
12	1/0817 Sealant Strip		2
13	7/6051 Screw	M6 x 25	1
14	996/99902S Control Box Cover	Orange	1
14	996/99902B Control Box Cover	Blue	1
14	996/99902G Control Box Cover	Green	1
14	996/99902R Control Box Cover	Red	1
14	996/99902Y Control Box Cover	Yellow	1
14	996/99902W Control Box Cover	White	1
15	7/6034 Screw	M6 x 16	4
16	71/0315 Earth Cable		1
17	71/0318 Harness		1
18	918/18500 Terminal Block		1
19	70/0321 Crimp Recepticle		4
20	996/01000SP Control Box Complete		1
21	70/0326 Capacitor	14uf	1
22	1/1116 Heatshrink		1



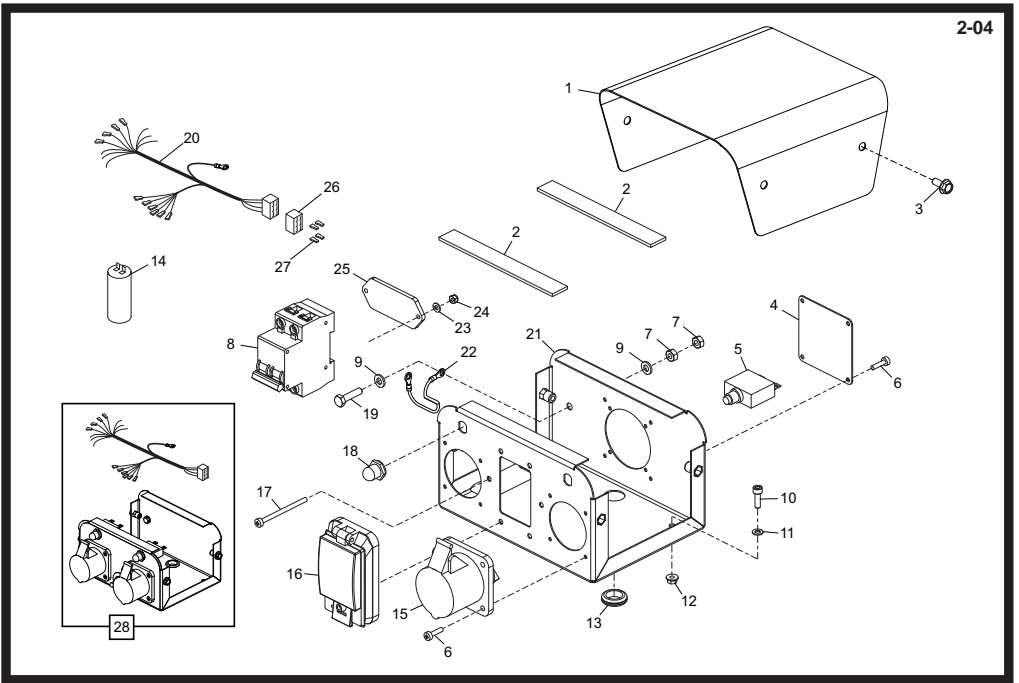
Control Box - GPX 3400

1	4/6001	Washer	.M6	2
2	8/6001	Nut	.M6	2
3	996/00501SP	Control Box Cover		1
4	3/4019	Grommet		1
5	918/39900	Circuit Breaker	12 Amp	2
6	918/13000	Switch 2-Pole		1
7	70/0314	Breaker Switch Cover		2
8	70/0313	Pole Switch Cover		1
9	922/02100	Socket	230v - 16 Amp	1
10	922/02000	Socket	110v - 16 Amp	1
11	7/4003	Screw	M4 x 16	8
12	1/0817	Sealant Strip		2
13	7/6051	Screw	M6 x 25	1
14	996/99902S	Control Box Cover	Orange	1
14	996/99902B	Control Box Cover	Blue	1
14	996/99902G	Control Box Cover	Green	1
14	996/99902R	Control Box Cover	Red	1
14	996/99902Y	Control Box Cover	Yellow	1
14	996/99902W	Control Box Cover	White	1
15	7/6034	Screw	M6 x 16	4
16	71/0315	Earth Cable		1
17	918/12900	Socket	110v - 32 Amp	1
18	918/40200	Circuit Breaker	25 Amp	2
19	71/0319	Harness		1
20	918/18500	Terminal Block		1
21	70/0321	Crimp Recepticle		4
22	996/01100SP	Control Box Complete		1
23	70/0326	Capacitor	14uf	1
24	1/1116	Heatshrink		1



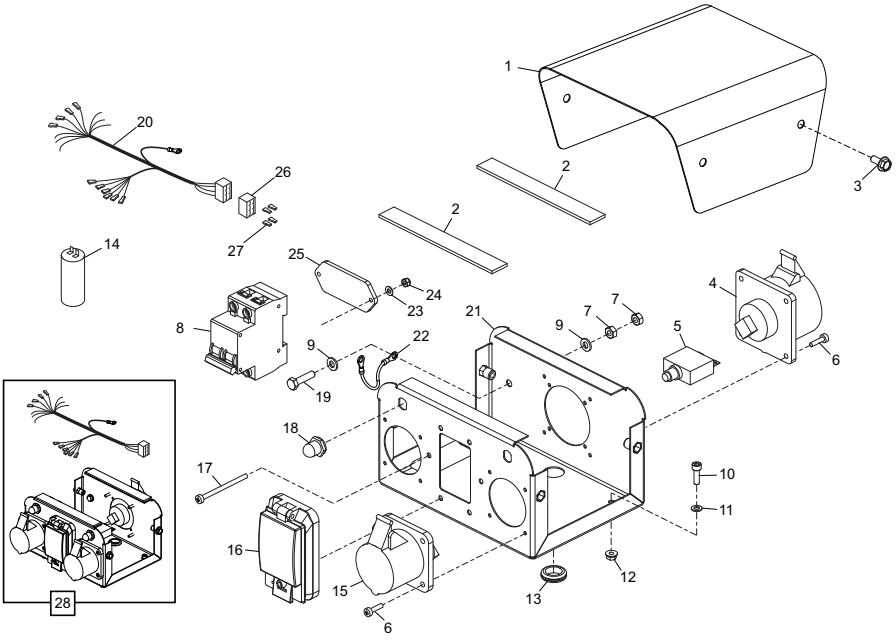
Control Box - GPX 5000 & 5000W

1	4/6001 Washer	M6	2
2	8/6001 Nut	M6	2
3	996/00201SP Control Box Cover		1
4	3/4019 Grommet		1
5	918/40100 Circuit Breaker	20 Amp	2
6	918/13000 Switch 2-Pole		1
7	70/0314 Breaker Switch Cover		2
8	70/0313 Pole Switch Cover		1
9	922/02100 Socket	230v - 16 Amp	1
10	922/02000 Socket	110v - 16 Amp	2
11	7/4003 Screw	M4 x 16	8
12	1/0817 Sealant Strip		2
13	7/6051 Screw	M6 x 25	1
14	996/99902 Control Box Cover		1
15	7/6034 Screw	M6 x 16	4
16	71/0315 Earth Cable		1
17	918/12900 Socket	110v - 32 Amp	1
18	918/42500 Circuit Breaker	35 Amp	1
19	71/0320 Harness		1
20	918/18500 Terminal Block		1
21	70/0321 Crimp Recepticle		4
22	996/01100SP Control Box Complete		1
23	70/0327 Capacitor	16uf	1
24	1/1116 Heatshrink		1



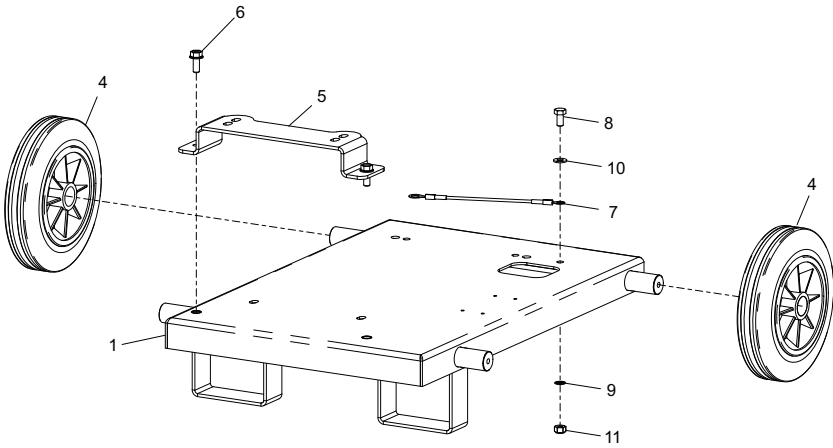
Control Box - GPX 2700 CTE

1	996/99902S.....	Control Box Cover	Orange	1
1	996/99902B.....	Control Box Cover	Blue	1
1	996/99902G.....	Control Box Cover	Green	1
1	996/99902R.....	Control Box Cover	Red	1
1	996/99902Y.....	Control Box Cover	Yellow	1
1	996/99902W.....	Control Box Cover	White	1
2	1/0817.....	Sealant Strip		2
3	7/6034.....	Screw	M6 x 16	4
4	996/99912.....	Control Box Plate.....		1
5	918/40000.....	Circuit Breaker	15 Amp	2
6	7/4003.....	Screw	M4 x 16	12
7	8/6001.....	Nut	M6	2
8	70/0329.....	Switch		1
9	4/6001.....	Washer	M6	2
10	7/5023.....	Screw	M5 x	4
11	4/5002.....	Washer	M5	4
12	8/5006.....	Nut	M5	4
13	3/4019.....	Grommet.....		1
14	70/0326.....	Capacitor	14uf	1
15	922/02000.....	Socket	110v - 16 Amp	2
16	70/0328.....	Circuit Breaker Cover		1
17	7/4024.....	Screw	M4 x 60	2
18	70/0314.....	Breaker Switch Cover		2
19	7/6051.....	Screw	M6 x 25	1
20	71/0323.....	Harness		1
21	996/00101SP.....	Control Box		1
22	71/0325.....	Earth Cable.....		1
23	4/4001.....	Washer	M4	2
24	8/4005.....	Nut	M4	2
25	996/99913.....	Packer Plate.....		1
26	918/18500.....	Terminal Block		1
27	70/0321.....	Crimp Receptical		1
28	996/01300SP.....	Control Box Complete.....		1



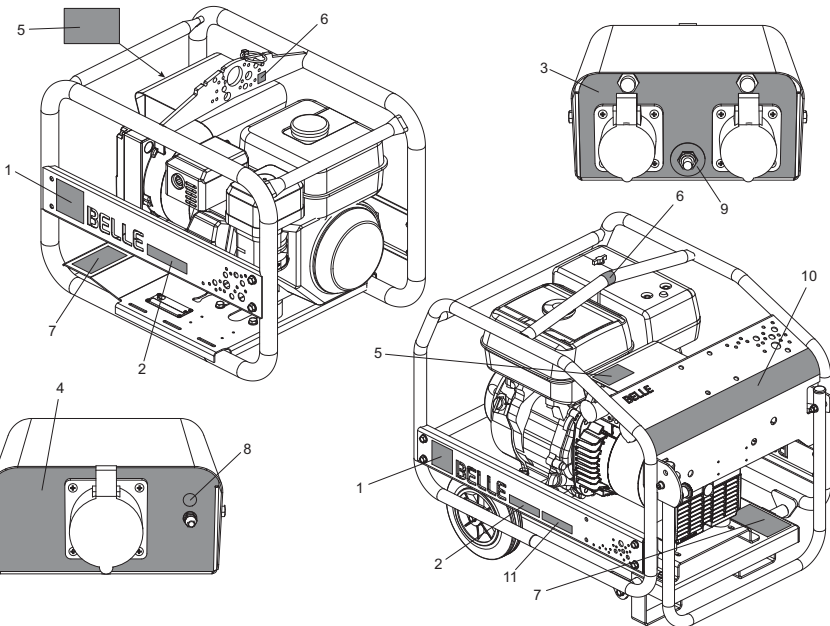
Control Box - GPX 3400 CTE, 5000 CTE & 5000W CTE

1	996/99902S.....	Control Box Cover	Orange	1
1	996/99902B.....	Control Box Cover	Blue	1
1	996/99902G.....	Control Box Cover	Green	1
1	996/99902R.....	Control Box Cover	Red	1
1	996/99902Y.....	Control Box Cover	Yellow	1
1	996/99902W.....	Control Box Cover	White	1
2	1/0817.....	Sealant Strip		2
3	7/6034.....	Screw	M6 x 16	4
4	918/12900.....	Socket	110v - 32 Amp	1
5	918/40000.....	Circuit Breaker	15 Amp	2
6	7/4003.....	Screw	M4 x 16	12
7	8/6001.....	Nut	M6	2
8	70/0329.....	Switch		1
9	4/6001.....	Washer	M6	2
10	7/5023.....	Screw	M5 x	4
11	4/5002.....	Washer	M5	4
12	8/5006.....	Nut	M5	4
13	3/4019.....	Grommet		1
14	70/0326.....	Capacitor	3400 CTE - 14uf	1
14	70/0327.....	Capacitor	5000 CTE - 16uf	1
15	922/02000.....	Socket	110v - 16 Amp	2
16	70/0328.....	Circuit Breaker Cover		1
17	7/4024.....	Screw	M4 x 60	2
18	70/0314.....	Breaker Switch Cover		2
19	7/6051.....	Screw	M6 x 25	1
20	71/0324.....	Harness		1
21	996/00101SP.....	Control Box		1
22	71/0325.....	Earth Cable		1
23	4/4001.....	Washer	M4	2
24	8/4005.....	Nut	M4	2
25	996/99913.....	Packer Plate		1
26	918/18500.....	Terminal Block		1
27	70/0321.....	Crimp Receptical		1
28	996/01400SP.....	Control Box Complete.....	GPX 3400 CTE.....	1
28	996/01600SP.....	Control Box Complete.....	GPX 5000 CTE.....	1



Chassis - GPX 5000W

1	996/00700	Chassis	1	
4	60/0285	Wheel	2	
5	996/99909	Bracket	1	
6	7/8037	Screw	M8 x 20	2
7	71/0317	Earth Cable	1	
8	7/8008	Screw	M8 x 16	1
9	4/8002	Washer	M8	1
10	4/8006	Washer	M8	1
11	8/8008	Nut	M8	1



Decals

1	800/99318	Decal	Altrad Logo	2
2	800/99322	Text Transfer	GPX 2700	2
2	800/99323	Text Transfer	GPX 3400	2
2	800/99324	Text Transfer	GPX 5000	2
3	800/99321	Decal	Box Front - GPX 2700	1
3	800/99326	Decal	Box Front - GPX 3400	1
3	800/99328	Decal	Box Front - GPX 5000 & 5000W	1
3	800/99390	Decal	Box Front - GPX 2700 CTE	1
3	800/99391	Decal	Box Front - GPX 3400 CTE	1
3	800/99392	Decal	Box Front - GPX 5000 & 5000W CTE	1
4	800/99327	Decal	Box Rear - GPX 3400	1
4	800/99329	Decal	Box Rear - GPX 5000 & 5000W	1
5	800/99330	Decal	Rating - GPX 2700	1
5	800/99331	Decal	Rating - GPX 3400	1
5	800/99332	Decal	Rating - GPX 5000 & 5000W	1
6	800/99334	Decal	Lifting	2
7	800/99333	Decal	Safety	1
8	800/99376	Decal	Earth	1
9	800/99376	Decal	Voltage Indicator	1
10	800/99343	Decal	Bit Decal - GPX 5000W	1
11	800/99322	Text Transfer	CTE	2