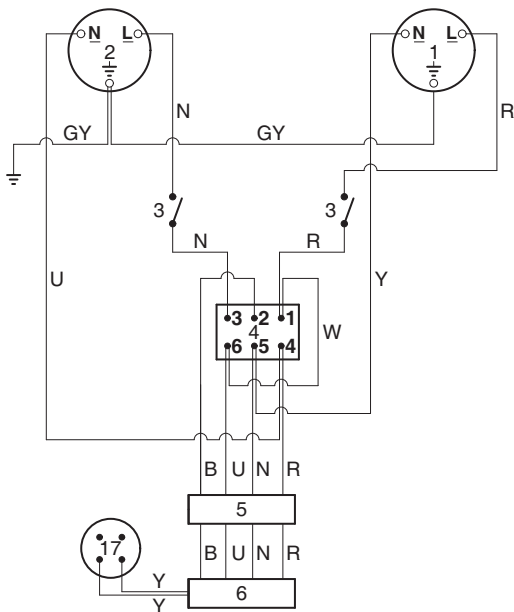
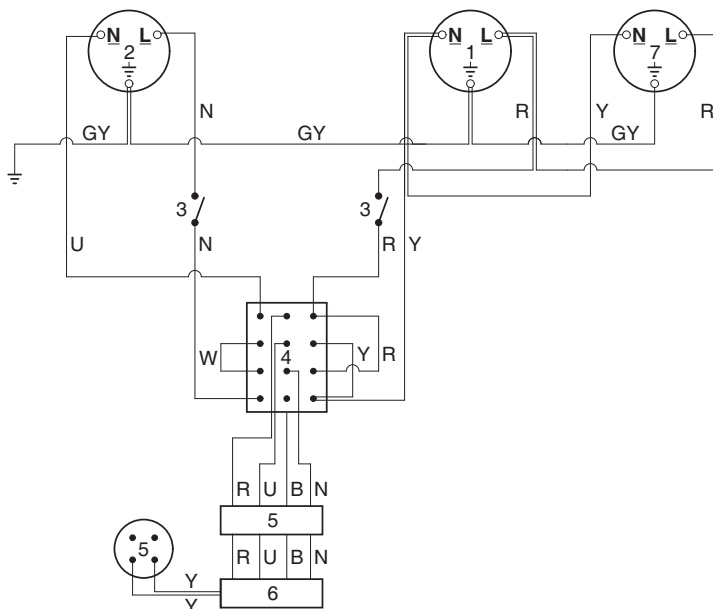


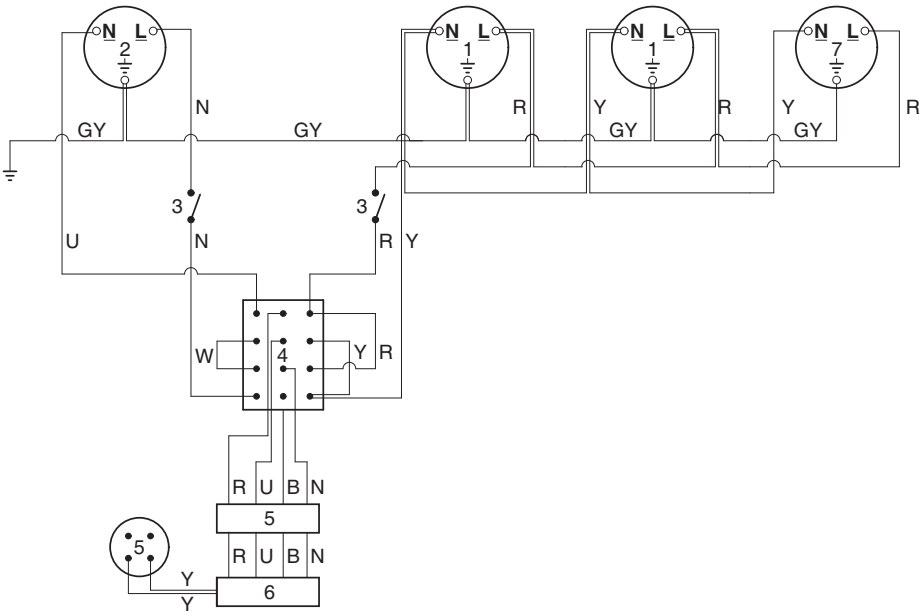
GPX 2700



GPX 3400



GPX 5000



KEY

- N** - Brown
- U** - Blue
- G/Y** - Green/Yellow
- W** - White
- R** - Red
- Y** - Yellow
- B** - Black
- 1** - 115v Socket (16 amp)
- 2** - 230v Socket (16 amp)
- 3** - Circuit Breaker
- 4** - Change Over Switch
- 5** - Connector Block Alternator
- 6** - Alternator
- 7** - 115v Socket (32amp)
- 17** - Capacitor
- N** - Neutral
- L** - Live