

# ***GENERAL PURPOSE ENGINE***

GX240UT1  
GX240RT1  
GX240UT2  
GX240RT2

**PARTS CATALOGUE**

**3**

---

FOREWORD INDEX

**1**

---

ENGINE GROUP

**2**

---

PART NUMBER INDEX

**3**

---

PART NAME INDEX

**4**

---



**Instruction for use of parts catalogue**

- **This parts catalogue was prepared based on the latest information available as of December 01, 2010.**
- See the parts catalogue news for any revision that is made after December 01, 2010.
- **Always specify the part number when ordering a part.**
- Check the model, type, serial numbers, color, maker, and the size as needed before ordering a part.
- Note that the illustrations (part drawings) can differ from the actual parts in shape. They are given just to help you to refer to the parts.
- **When modifications or additions to this parts catalogue are made, a revised edition will be issued at an appropriate time, with successively progressing revision numbers on the cover. We recommend obtaining such revisions in order to keep your parts catalogue up-to-date at all times. To check whether a parts catalogue revision has been issued, please contact your Honda distributor.**

Initial version issue date **January 01, 2009**  
**Honda Motor Co., Ltd.**

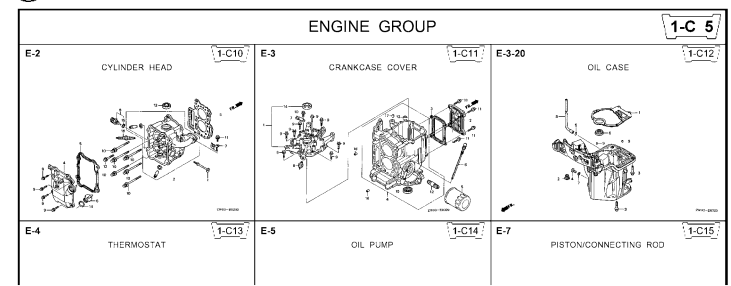
**CONTENTS**

	Page	Address No.
● Instruction for use of parts catalogue .....	1	B 1
● How to refer to the part information .....	2	B 2
● Part catalogue structure .....	3	B 3
● When the parts were revised .....	4	B 4
● Abbreviations used in the parts catalogue.....	4	B 4
● How to check the part block and serial numbers .....	5	B 5
● Models, parts catalogue codes and applicable serial numbers .....	6	B 6
● Features of each type .....	9	B 9
● Fuel hose, general purpose hoses and vinyl hose .....	15	B15
● FLAT RATE SERVICE TIME .....	16	B16
● Illustrated index .....	21	C 5
● ENGINE GROUP .....	26	D 1
● PART NO. INDEX.....	97	I 1
● PART NAME INDEX.....	101	J 1

How to refer to the part information

1

A Reference with "Illustrated index"



B Reference with "Part number index"

PART NO. INDEX

Part Number	Address	Page	Ref.	Part Number	Address	Page
06000				15212-ZW9-000	1-C14	3C
06316-ZW9-000	1-69	88	1	15220-ZW9-003	1-C14	3C
11000				15332-ZW9-000	1-E8	55
11300-ZW9-405	1-C11	27	1	15332-ZW9-A30	1-E11	5E
11300-ZW9-406	1-C11	27	1	15400-PFB-004	1-C11	27
11340-ZW9-000	1-C11	27	2	15422-ZW9-000	1-C14	3C
11342-ZW9-000	1-C11	27	3	15473-881-000	1-C14	3C
11381-ZW9-003	1-C12	28	1	15474-ZW9-000	1-C14	3C
				15611-921-000	1-C10	2E
				15655-ZW9-000	1-C11	27
				16000		
12000				16010-ZV4-005	1-D4	3E
12000-ZW9-405ZA	1-C11	27	4	16011-ZV4-005	1-D4	3E
12155-ZV4-A00	1-C13	29	1	16013-ZW9-003	1-D4	3E
12166-ZW9-000	1-C10	26	1	16016-ZW9-003	1-D4	3E
12209-GB4-681	1-C16	32	1	16016-ZW9-721	1-D4	3E
12210-ZW9-405ZA	1-C10	26	2	16023-ZW9-003	1-D4	3E
12216-ZE2-300	1-E8	55	1	16024-ZV4-650	1-D4	3E
	1-E11	58	1	16028-ZV4-650	1-D4	3E

Address No. 1-C10

E-2 CYLINDER HEAD

Block No.

Ref No.

Service item F.R.T.

O-RING, 26X2.7	0.1
PLUG, SPARK	0.2
O-RING, 9.5X1.5	0.2
SENSOR ASSY., WATER TEMPERATURE	0.3
COVER COMP., HEAD	0.3
PACKING, HEAD COVER	1.8
GASKET, CYLINDER HEAD	2.4
OIL SEAL, 20X32X6	2.4
HEAD COMP., CYLINDER	3.1

Ref. No.	Part No.	Description	Reqd. QTY						Serial No.	Parts catalogue code
			99D1	99D1	1001	1001	1001	1001		
1	12166-ZW9-000	STOPPER, ENGINE SIDE	2	2	2	2	2	2		
2	12210-ZW9-000ZA	HEAD COMP., CYLINDER	1	1	1	1	1	1		
3	12251-ZW9-003	GASKET, CYLINDER HEAD	1	1	1	1	1	1		
4	12310-ZW9-000	COVER COMP., HEAD	1	1	1	1	1	1		
5	12312-ZW9-000	PACKING, HEAD COVER	1	1	1	1	1	1		
6	15611-921-000	CAP, OIL (NO GAUGE)	1	1	1	1	1	1		
7	16617-ZW9-000	HOLDER, CABLE	1	1	1	1	1	1	SC,SG	
	16617-ZW9-010		1	1	1	1	1	1	1001800 LHC,LHD	
			1	1	1	1	1	1	1001801 LHC,LHD	
8	35675-ZW5-003	SENSOR ASSY., WATER TEMPERATURE	1	1	1	1	1	1		
9	90003-ZW9-000	BOLT, FLANGE, 6X22	4	4	4	4	4	4		
10	90007-ZW9-003	BOLT, FLANGE, 8X83	6	6	6	6	6	6		
11	90011-ZW9-000	BOLT, FLANGE, 6X14(CT200)	1	1	1	1	1	1		
12	90020-ZW9-000	BOLT, FLANGE, 8X40	2	2	2	2	2	2		
13	91202-KJ9-003	OIL SEAL, 20X32X6	1	1	1	1	1	1		
14	91301-805-000	O-RING, 26X2.7	1	1	1	1	1	1		
15	91307-PK2-005	O-RING, 9.5X1.5(HONDA KIKAKI)	1	1	1	1	1	1		
16	98059-55916	PLUG, SPARK (CR5EH-9)	2	2	2	2	2	2		
	98059-55926	PLUG, SPARK (U16FER9)	2	2	2	2	2	2		

2000.09.20 E

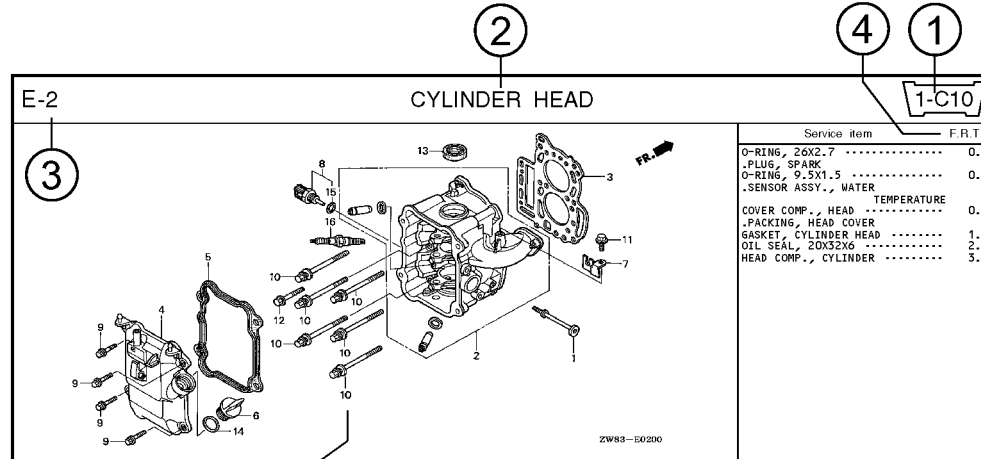
Page No.

C Reference with "Part name index"

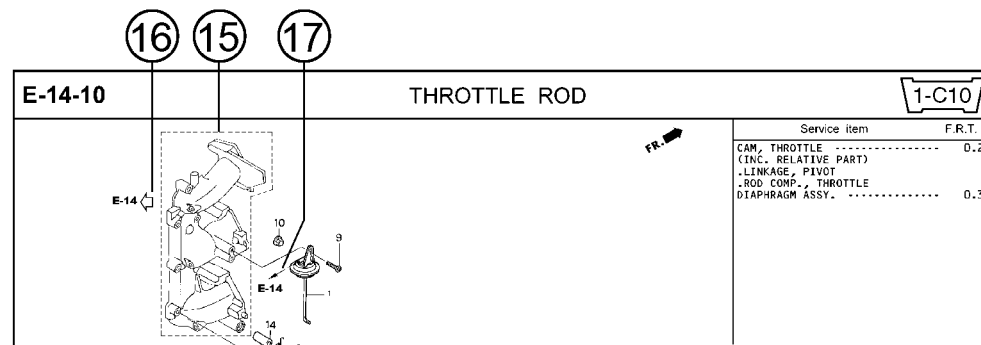
PART NAME INDEX

Part name	Address	Page	Ref.
[ A ]			
ABSORBER, FUEL	1-E15	62	5
ARMATURE COMP.	1-D11	43	7
ARM COMP., LINK JOINT	1-G6	85	18
ARM COMP., SHIFT LINK	1-G6	85	14
ARM COMP., TILT	1-F15	79	20
ARM, FUEL PUMP ROCKER	1-C16	32	4
ARM, REVERSE LOCK	1-F15	79	18
ARM, SHIFT LINK	1-F11	74	7
ARM, STOPPER	1-D1	33	12
ARM, THROTTLE REMOTE	1-F11	74	6
ARM, VALVE ROCKER	1-C16	32	3
[ B ]			
BAG, TOOL, 160MM	1-G5	84	10
BAND	1-G6	86	37
BAND B1, WIRE	1-F6	69	1
BAND, CORD	1-F3	67	18
BAND, TUBE CLIP, 11MM	1-E15	63	20
BAND, TUBE CLIP, 12.5MM	1-E15	63	19

**Part catalogue structure**



Ref. No.	Part No.	Description	Reqd. QTY						Serial No.	Parts catalogue code
			BF 9/9D1	BFP 9/9D1	BF 10D1	BFP 10D1	BF 10B1	BFP 10B1		
1	12166-ZW9-000	STOPPER, ENGINE SIDE	2	2	2	2	2	2		
2	12210-ZW9-000ZA	HEAD COMP., CYLINDER *NHS* ..... DARK GRAY	1	1	1	1	1	1		
3	12251-ZW9-003	GASKET, CYLINDER HEAD	1	1	1	1	1	1		
4	12310-ZW9-000	COVER COMP., HEAD	1	1	1	1	1	1		
5	12312-ZW9-000	PACKING, HEAD COVER	1	1	1	1	1	1		
6	15611-921-000	CAP, OIL (NO GAUGE)	1	1	1	1	1	1		
7	16617-ZW9-000	HOLDER, CABLE	1	1	1	1	1	1	SC,SG	
	16617-ZW9-010		1	1	1	1	1	1	1001800 LHC,LHD	



- ① **Address number**
  - Address No. is provided (in place of the page No.) to help you refer to the part with the part No. or part name.
- ② **Block title** ③ **Block number**
- ④ **Service item/Flat rate time**
- ⑤ **Reference number**
  - Title number marked with the parenthesis or parentheses indicates that it continues from the previous page.
- ⑥ **Part number** ⑦ **Honda color code**
- ⑧ **Description**
- ⑨ **Assemblies**
  - Sections framed with broken lines in the exploded view drawings are available as complete assemblies. (Their individual parts can also be obtained.)
- ⑩ **Color description**
- ⑪ **Note**
  - Notes are shown with the parentheses in the part name column.
- ⑫ **Required quantity**
  - Required QTY shown in the parenthesis or parentheses indicates the optional part.
  - Required QTY marked with "N" Indicates the optional part that should be selected as needed.
  - Required QTY indicates the number of the part used in the block.
- ⑬ **Serial number**
- ⑭ **Type**
  - When the type column is blank, it indicates that the part is applicable to all types.
  - As the type of the actual unit may differ from the "parts catalogue, type" please refer to "Models, types and applicable serial numbers" for confirmation.
- ⑮ **[Dotted box]**
  - Parts enclosed within a dotted line [ ] are covered in a different block.
- ⑯ **[Hollow arrow]**
  - A hollow arrow ↖ indicates the block No. for the parts enclosed within a dotted line [ ] .
- ⑰ **[Solid arrow]**
  - A solid arrow ← indicates the block No. the part in question is connected to.

When the parts were revised

Abbreviations used in the parts catalogue

1



Be sure to check the serial number!!



Ref. No.	Part No.	Description	Reqd. QTY						Serial No.
			BF 99D1	BFP 9.9D1	BF 10D1	BFP 10D1	BF 10B1	BFP 10B1	
1	12166-ZW9-000	STOPPER, ENGINE SIDE .....	2	2	2	2	2	2	
2	12210-ZW9-000ZA	HEAD COMP., CYLINDER *NHS* .....	1	1	1	1	1	1	
3	12251-ZW9-003	GASKET, CYLINDER HEAD .....	1	1	1	1	1	1	
4	12310-ZW9-000	COVER COMP., HEAD .....	1	1	1	1	1	1	
5	12312-ZW9-000	PACKING, HEAD COVER .....	1	1	1	1	1	1	
6	15611-921-000	CAP, OIL (NO GAUGE) .....	1	1	1	1	1	1	
7	16617-ZW9-000	HOLDER, CABLE (###) .....	1	1	1	1	1	1	SC, SG LHC, LHD LHC, LHD
	16617-ZW9-010	.....	1	1	1	1	1	1	

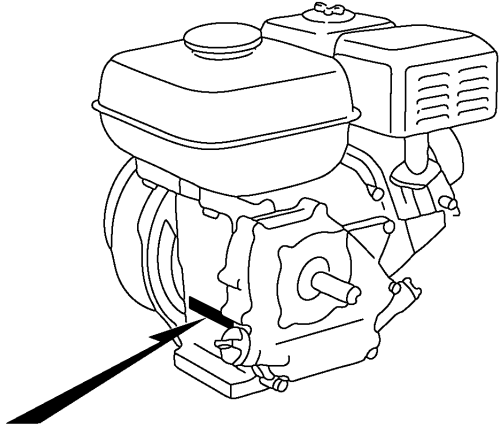
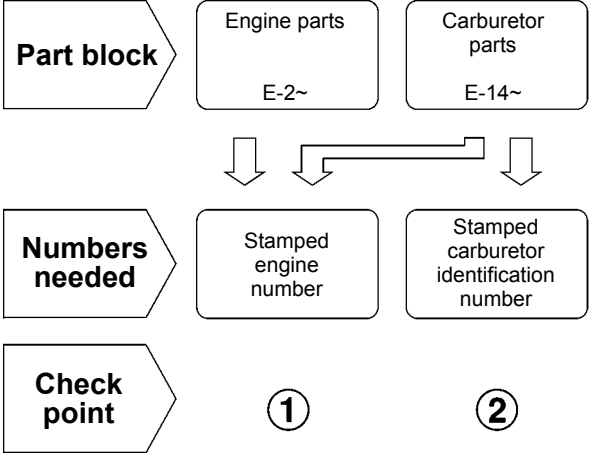
The number has been used from the initial model without revision. When shown at the left side, it is applicable to the models of No.1001801 and the subsequent numbers. When shown at the right side, it is applicable to the models up to No.1001800.

• The parts listed with "###" at the end of the parts name have limited supply period (parts not for sale).

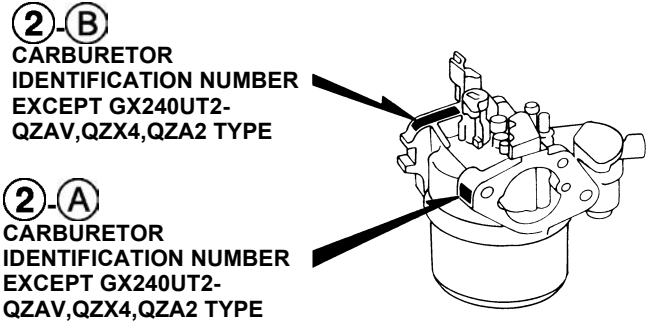
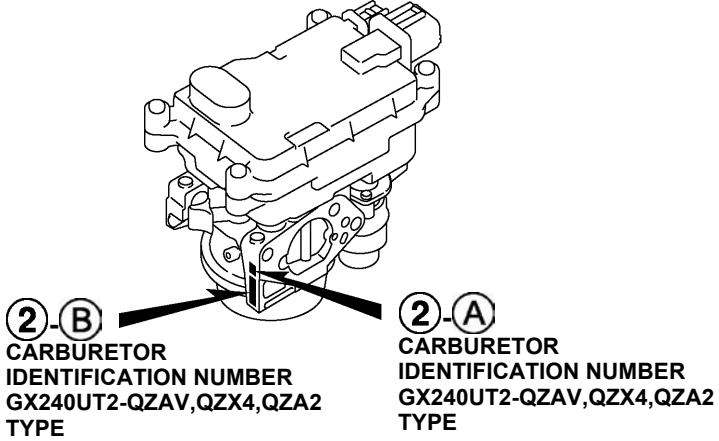
• The following abbreviations are used in the parts name column.

- A ..... Ampere
- A.C. .... Alternating current
- ASSY. .... Assembly
- AT. .... Automatic transmission
- C.D.I. .... Capacitive discharge ignition
- COMP. ... Complete
- D.C. .... Direct current
- EX. .... Exhaust
- G.F.C.I ... Ground fault circuit interruptor
- HEX. .... Hexagonal
- H.S.T. .... Hydrostatic transmission
- FR. ....Front
- IN. ....Inlet
- L (100L) .Link (100 Links)
- L. ....Left
- MM .....Millimeter
- MT. ....Manual Transmission
- P.T.O. ....Power take off
- R. ....Right
- RR. ....Rear
- STD. ....Standard
- T (22T) ...Tooth (22 Teeth)
- V .....Volt
- W .....Watt

How to check the part block and serial numbers



①  
TYPE  
ENGINE SERIAL NUMBER





### Models, parts catalogue codes and applicable serial numbers

- Models, parts catalogue codes and applicable serial Nos. given in this parts catalogue can be identified as follows.

Model	Type	Parts catalogue type	Applicable engine serialNo.	Applicable carburetor identification No.
GX240UT1	HA2	HA2	GCATT-1000001~	BE70N A
	LHE4	LHE4		
	LX2	LX2		
	LXQ4	LXQ4		
	PA2	PA2		
	QA2	QA2		
	QAE2	QAE2		
	QAG2	QAG2		
	QAR2	QAR2		
	QHB2	QHB2		
	QHB4	QHB4		
	QHQ4	QHQ4		
	QXB7	QXB7		
	QXB9	QXB9		
	QXC9	QXC9		BE70A B/BE70P A
	QXE4	QXE4		BE70N A
	QXQ4	QXQ4		
	QXU	QXU		
RA2	RA2			
RHQ4	RHQ4			
SXE4	SXE4			

Model	Type	Parts catalogue type	Applicable engine serialNo.	Applicable carburetor identification No.
GX240UT1	SXQ4	SXQ4	GCATT-1000001~	BE70N A
	SXU	SXU		
	VXB7	VXB7		
	VXB9	VXB9		
	VXQ4	VXQ4		
	WKT2	WKT2		
GX240RT1	VMT2	VMT2		BE72Q A
	VTA2	VTA2		BE70N A
GX240UT2	HA2	HA2	GCBJT-1000001~	BE70R A
	LX2	LX2		
	LXQ4	LXQ4		
	PA2	PA2		
	QAG2	QAG2		
	QAR2	QAR2		
	QHB2	QHB2		
	QHB4	QHB4		
	QHQ4	QHQ4		
	QXB7	QXB7		
	QXB9	QXB9		
	QXE4	QXE4		
	QXQ4	QXQ4		

Model	Type	Parts catalogue type	Applicable engine serialNo.	Applicable carburetor identification No.
GX240UT2	QXU	QXU	GCBJT-1000001~	BE70R A
	QZAV	QZAV		BE93B A
	QZX4	QZX4		BE70R A
	RA2	RA2		
	SXE4	SXE4		
	SXQ4	SXQ4		
	VXB7	VXB7		
	VXB9	VXB9		
	WKT2	WKT2		
	QA2	QA2		
	QAE2	QAE2		
QZA2	QZA2	BE93B A		
GX240RT2	VMT2	VMT2	BE72R A	

\* Of carburetor identification numbers, only the portions underlined in the example below are used for registration.

BE 70N A KC ナ  
 (A) (B)

Features of each type

• See the following table for the features of each type. (Items in brackets are optional)

Specifications		Model	GX240UT1									
		Type	HA2	LHE4	LX2	LXQ4	PA2	QA2	QAE2	QAG2	QAR2	QHB2
Crankshaft	25mm Ø Straight											
	25.4mm Ø Straight						●	●	●	●	●	
	20mm Ø Spline	●	●	●	●							
	M20 Stepped thread											
	1" Thread					●						
	3/16" Tapered											
Oil alert			●		●	●	●	●	●	●	●	
Engine stop switch			●		●	●	●	●		●		●
Muffler			●	●	●	●	●	●	●	●	●	●
Muffler cover				(●)		(●)						(●)
Fuel tank			●	●	●	●	●	●	●	●	●	●
Starter motor				●					●		●	
Control box				●					●		●	
Reduction			●	●	●	●						

Specifications		Model	GX240UT1									
		Type	QHB4	QHQ4	QXB7	QXB9	QXC9	QXE4	QXQ4	QXU	RA2	RHQ4
Crankshaft	25mm Ø Straight										●	●
	25.4mm Ø Straight	●	●	●	●	●	●	●	●			
	20mm Ø Spline											
	M20 Stepped thread											
	1" Thread											
	3/16" Tapered											
Oil alert				●	●	●	●	●	●	●		
Engine stop switch			●	●	●	●		●	●	●	●	
Muffler		●	●	●	●	●	●	●	●	●	●	●
Muffler cover		(●)	(●)	(●)	(●)		(●)	(●)				(●)
Fuel tank		●	●	●	●	●	●	●	●	●	●	●
Starter motor							●					
Control box							●					
Reduction										●	●	

Specifications		Model	GX240UT1						GX240RT1		
		Type	SXE4	SXQ4	SXU	VXB7	VXB9	VXQ4	WKT2	VMT2	VTA2
Crankshaft	25mm Ø Straight		●	●	●						
	25.4mm Ø Straight										
	20mm Ø Spline										
	M20 Stepped thread							●			
	1" Thread										
	3/16" Tapered				●	●	●		●	●	
Oil alert			●	●	●	●	●	●	●	●	●
Engine stop switch				●	●	●	●	●	●	●	●
Muffler			●	●	●	●	●	●			●
Muffler cover			(●)	(●)		(●)	(●)	(●)			
Fuel tank			●	●	●	●	●	●			
Starter motor			●								
Control box			●								
Reduction											

Specifications		Model	GX240UT2									
		Type	HA2	LX2	LXQ4	PA2	QAG2	QAR2	QHB2	QHB4	QHQ4	QXB7
Crankshaft	25mm Ø Straight											
	25.4mm Ø Straight					●	●	●	●	●	●	
	20mm Ø Spline	●	●	●								
	M20 Stepped thread											
	1" Thread				●							
	3/16" Tapered											
Oil alert												
Engine stop switch		●	●	●	●	●		●		●	●	
Muffler		●	●	●	●	●	●	●	●	●	●	●
Muffler cover				(●)				(●)	(●)	(●)	(●)	
Fuel tank		●	●	●	●	●	●	●	●	●	●	●
Starter motor							●					
Control box							●					
Reduction		●	●	●								

Specifications		Model	GX240UT2								
		Type	QXB9	QXE4	QXQ4	QXU	QZAV	QZX4	RA2	SXE4	SXQ4
Crankshaft	25mm Ø Straight							●	●	●	
	25.4mm Ø Straight	●	●	●	●	●	●				
	20mm Ø Spline										
	M20 Stepped thread										
	1" Thread										
	3/16" Tapered										●
Oil alert											
Engine stop switch		●		●	●			●		●	●
Muffler		●	●	●	●	●	●	●	●	●	●
Muffler cover		(●)	(●)	(●)			(●)		(●)	(●)	(●)
Fuel tank		●	●	●	●	●	●	●	●	●	●
Starter motor			●			●	●		●		
Control box			●			●	●		●		
Reduction								●			



Specifications		Model	GX240UT2					GX240RT2
		Type	VXB9	WKT2	QA2	QAE2	QZA2	VMT2
Crankshaft	25mm Ø Straight							
	25.4mm Ø Straight			●	●	●		
	20mm Ø Spline							
	M20 Stepped thread		●					
	1" Thread							
	3/16" Tapered	●					●	
Oil alert					●			
Engine stop switch		●	●	●			●	
Muffler		●	●	●	●	●		
Muffler cover		(●)						
Fuel tank		●	●	●	●	●		
Starter motor					●	●		
Control box					●	●		
Reduction								

## Fuel hose, general purpose hoses and vinyl hose

- The standard part fuel hose, general purpose hose and vinyl hose may be substituted by the coiled bulk part.
- When ordering the standard part fuel hose, general purpose hose and vinyl hose use the bulk part number written in the parts catalog in brackets ( ) underneath the part name.
- When exchanging the hose, cut and use at the specified length as mentioned in the part name.  
(For the method of cutting the bulk part, and method of filling out orders etc., please refer to the instructions issued with the bulk part.)

### Bulk part number of fuel hose, general purpose hose and vinyl hose.

Example: 9 5 0 0 1 - 7 5 0 0 1 - 5 0 M

**Bulk part number:**  
Refers to the bulk part.

**Marking code (fuel hose and general purpose hose)**

**Change code (Vinyl hose)**

Indicates number mark or change sequence, however, the code for the bulk part must be strictly 0 (zero).

**Types of code:**

- |             |  |                |  |              |   |
|-------------|--|----------------|--|--------------|---|
| • Fuel hose | 2: Red outside braid<br>(3 mm inside dia. only)        | • General hose | 1: Ash gray<br>2: Ash gray<br>3: Black<br>5: Black | • Vinyl hose | 1: Clear<br>2: Black<br>3: Light red<br>6: Light red<br>7: Pale black |
|             | 5: Black inside braid                                  |                |  |              |   |
|             | 3: Red (3 mm inside dia. only)                         |                |  |              |   |
|             | 4: Ash gray with red stripe<br>(3 mm inside dia. only) |                |  |              |   |
|             | 6: Black   |                |  |              |   |

**Lengths:**

- 001: 1 m (standard)  
003: 3 m  
008: 8 m } Application or specification of some parts is not settled.

**I.D code: (fuel hose and general purpose hose)**

- |            |                    |                    |                             |                             |
|------------|--------------------|--------------------|-----------------------------|-----------------------------|
| 30: 3.0 mm | 50: 5.0 mm         | 70: 7.0 mm         | 11: 11 mm                   | 12: 12 (outside dia. 17) mm |
| 35: 3.5 mm | 55: 5.3 mm, 5.5 mm | 75: 7.3 mm, 7.5 mm | 91: 12 (outside dia. 15) mm | 14: 14 mm                   |
| 45: 4.5 mm | 65: 6.5 mm         | 80: 8.0 mm         | 92: 12 (outside dia. 16) mm | 17: 17 mm                   |

**ID./OD. code: (vinyl hose)**

- |                         |                          |                           |                           |                           |
|-------------------------|--------------------------|---------------------------|---------------------------|---------------------------|
| 01: ID. 2.9, OD. 6.8 mm | 12: ID. 5.0, OD. 7.0 mm  | 21: ID. 8.0, OD. 9.0 mm   | 37: ID. 11.0, OD. 15.0 mm | 50: ID. 16.0, OD. 19.0 mm |
| 03: ID. 3.0, OD. 6.0 mm | 10: ID. 5.0, OD. 8.0 mm  | 23: ID. 8.0, OD. 12.0 mm  | 38: ID. 12.0, OD. 13.0 mm | 55: ID. 17.5, OD. 20.5 mm |
| 05: ID. 3.5, OD. 6.5 mm | 11: ID. 5.0, OD. 9.0 mm  | 25: ID. 9.0, OD. 11.0 mm  | 39: ID. 12.0, OD. 14.0 mm | 60: ID. 22.0, OD. 27.0 mm |
| 07: ID. 4.0, OD. 7.0 mm | 14: ID. 6.0, OD. 9.0 mm  | 27: ID. 9.0, OD. 13.0 mm  | 40: ID. 12.0, OD. 16.0 mm |                           |
| 08: ID. 4.5, OD. 6.5 mm | 17: ID. 7.0, OD. 9.0 mm  | 33: ID. 10.0, OD. 14.0 mm | 43: ID. 13.0, OD. 15.0 mm |                           |
| 09: ID. 4.5, OD. 8.0 mm | 19: ID. 7.0, OD. 11.0 mm | 36: ID. 11.0, OD. 13.0 mm | 45: ID. 14.0, OD. 18.0 mm |                           |

**Hose type:**

- 1: Fuel hose  
3: Vinyl hose  
5: General hose

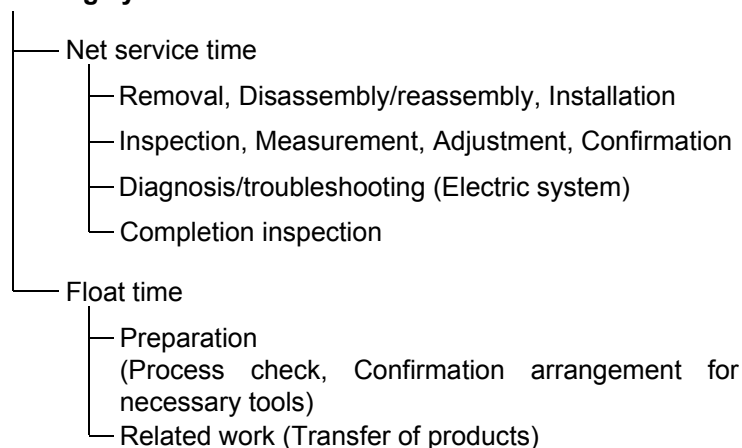
⊙ **CAUTION: It is DANGEROUS to confuse the fuel hose with the general purpose hose or vinyl hose.**

Never use a general purpose hose or vinyl hose in place of a fuel hose or vice versa. Always use the correct bulk part in the parts catalogue, according to the service manual or the instructions issued with the bulk part.

## FLAT RATE SERVICE TIME

Flat rate service time (FRT) means the standard time required to service a product, which is listed in this manual to help the dealers control the actual working process and calculate the service charge by using it as a guide.

### FRT setting system



\* Float time is set by multiplying the net service time by a given coefficient.

### Editorial style

The service items shown in the text are listed with the exchange work time for the repair sales parts as the subject. Other representative service items not using repair parts (removal/installation, adjustment, inspection/measuring, and other work) are listed collectively in the list in the preface, classified according to the work.

### FRT setting standard

- Decimal system (in unit of 0.1) is adopted to set FRT as it is convenient to calculate the wage.  
Example: (0.1) → 6 minutes, (0.2) → 12 minutes  
[Labor cost per hour] x [FRT] = [Wage]
- FRT is set with a hand tool.
- Service items and FRT can be subject to change depending on development of tools and service equipment and improvement in service procedure.

**Work procedure**

- As the work procedure is set with the work time according to the method in the separate Service Manual, refer to this Manual as required.
- Work methods permitting servicing in the shortest time still permitting assurance of safe work and product warranty are used for the setting of service items not listed in the Service Manual.
- Work basically is to be performed by one person, and when two or more people are required, setting is done as the total time for the number of people.
- The set value for the technological level of the workers uses a person with three years of experience in the repair of Honda products as the standard.
- Special tools and service equipment used to set FRT are those specified or recommended in Service Manual.

**Service item whose FRT is not presented**

- Accessories and service parts that are not listed to use in this manual.
  - Locations with little aging deterioration or breakage during normal use.
  - Service work that can be finished by one touch.
  - Service work that is seldom done (i.e. extremely small causes of trouble and service frequency).
  - Products and parts whose location for installation differs according to its status of use and application.
- \* When FRT is not presented, please calculate wages based on appropriate actual work time.

**Operation not included of FRT**

- Oil and coolant water draining, Waiting time for warming up operation and etc..
- Additional operation that involves removal/installation of standard exterior equipment.
- Indirect time spent for service by visiting the customer, trade-in, and delivery.
- Indirect time required for ordering and delivery of parts.
- Cost for grease, adhesive agent, etc. used for service work.

**Explanation of FRT by using an example  
(The example may differ from the actual presented items)**

Ref. No.	L.O.N.	(Relative ref. Number) Description	F.R.T.
①	1111L1	④ (1, 3, 4, 7) VALVE, INTAKE .....4.1	②
②		• NOTE: OHV type ⑥	⑦
③	1111L1A	• Includes: Engine removal and installation One head (intake all) add .....1.4 ⑤	

- ① Reference No. of the illustration of part that shows location of the replacement work.
- ② FRT is an abbreviation of Flat Rate Time indicating the standard service time required for the replacement.
- ③ LON is an abbreviation of Labor Operation Number, and it is a classification of the service items by the work unit code.

The same operation code is used regardless of the models.

Standard operation is indicated with 6 digits code, and additional operation is indicated with 7 digits code.

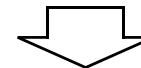
- ④ Indicating the intake valve replacement and FRT4.1.
- ⑤ Indicating FRT1.4 that will be added when additional operation (whole intake side of one cylinder head) is done in association with intake valve replacement.

- ⑥ Indicating work condition or application condition of the service item.
- ⑦ Indicating work contents that are included in the service item.
- ⑧ Indicating a reference No. whose operation and time are the same as FRT4.1 for the intake valve.

(The application range is limited to the service items without an LON setting within a same block.)

**How to refer to the service item by using the sample  
(intake valve replacement)**

Open to the page of the block where the intake valve's spare part illustration is shown.



Look for the intake valve illustration, and refer to the service item and FRT that agree with the reference No.

Indication mark for the listing of service items that continues to the following page

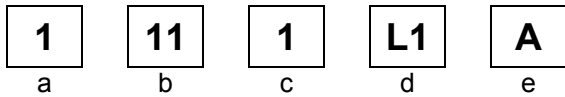
Ref. No.	L.O.N.	(Relative ref. Number) Description	F.R.T.
2	1111L1	VALVE, INTAKE .....	4.1
	.	.	.
	.	.	.

+  
Mark indicated at the last line.

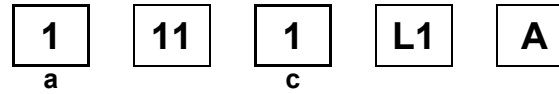
Indication of the block with no setting of FRT

Ref. No.	L.O.N.	(Relative ref. Number) Description	F.R.T.
NO INFORMATION .....			

• LON code system



- a) Category code..... Engine
- b) Location/function code..... Engine upper
- c) Operation code..... Replace
- d) Operation sequence number (Unit code can be shown with alphabet)  
..... Intake valve  
(No regular rule of code)
- e) Additional code ..... One head (intake all)  
(No regular rule of code)



a) Category codes and classification

Code	Category
1	Engine
2	Power drive
3	Fuel & Exhaust
4	Frame & Body
5	Steering
6	Electrical
7	Axle & Brake
8	Control system
9	-
0	Attachments

c) Operation codes and classification

Code	Operation category
1	Replace, Removal/Installation, Change
2	Overhaul
3	Adjust, Rotation
4	(Paint-related work: Top-coat)
5	Test, Inspect/diagnose, Measurement
6	(Overhaul-related work: Rebore)
7	(Overhaul-related work: Reseal)
8	(Resurface)
9	(Paint-related work: Refinish)
0	Repair, Cleaning, Air bleeding

Major service items without using spare parts

(1) Removal/Installation, (2) Adjustment,  
(3) Inspection/Masurement, (4) Overhaul, (5) Other work

E: Engine, T: Transmission, D: Drive system,  
B: Body and related parts

### (1) Removal/Installation

Set with the parts configuration in the status of being removed from the product.

	LON	DESCRIPTION	FRT
E	1111L3	<b>CYLINDER HEAD ASSEMBLY-REMOVAL/INSTALLATION</b>	0.5
	1111L3B	iGX type add	0.2

### (2) Adjustment

	LON	DESCRIPTION	FRT
E	1113A1	<b>VALVE CLEARANCE-ADJUSTMENT</b> NOTE: For 1 product	0.3
	1163A0	<b>CONTROL, THROTTLE/GOVERNOR-ADJUSTMENT</b>	0.2
	3113A2	<b>CARBURETOR IDLE-ADJUSTMENT</b>	0.2

### (3) Inspection, Measurement, Cleaning

	LON	DESCRIPTION	FRT
E	1105A0	<b>ENGINE OIL-INSPECTION</b>	0.1
	3120A0	<b>AIR CLEANER-CLEANING</b> INCLUDES: Air cleaner-inspection	0.2
	3130A0	<b>SPARK ARRESTER-CLEANING</b> INCLUDES: Spark arrester-inspection	0.2
	6140A0	<b>SPARK PLUG-ADJUSTMENT/CLEANING</b> INCLUDES: Spark plug check NOTE: For 1 product	0.1

### (4) Overhaul

Work condition: The required Measurements, inspections, adjustments, and cleaning/washing of each part are performed, including the main body removal/installation work and the replacement of defective parts.

	LON	DESCRIPTION	FRT
E	3112A0	<b>CARBURETOR-OVERHAUL</b> INCLUDES: All necessary adjustment	0.6
	3112A0A	iGX type add	0.2

### (5) Other work

	LON	DESCRIPTION	FRT
E	1101E1	<b>ENGINE OIL-CHANGE</b> INCLUDES: Engine oil-inspection	0.2

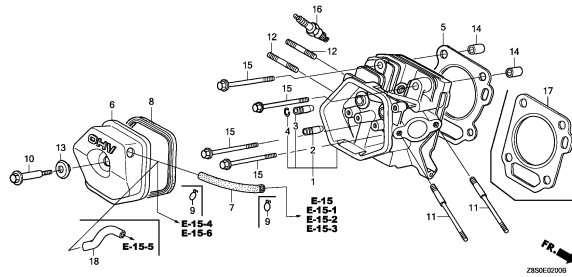
# ENGINE GROUP

**C 5**

**E-2**

CYLINDER HEAD

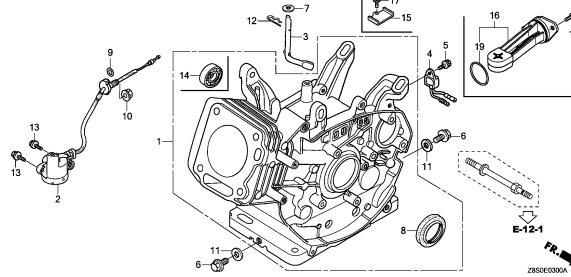
**D 1**



**E-3**

CYLINDER BARREL

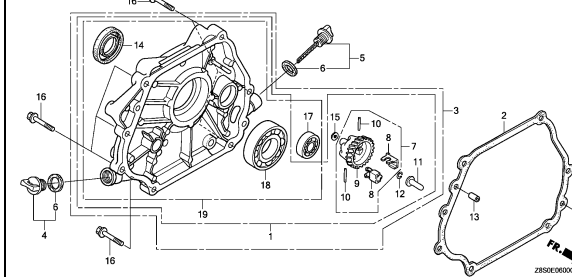
**D 3**



**E-6**

CRANKCASE COVER(1)

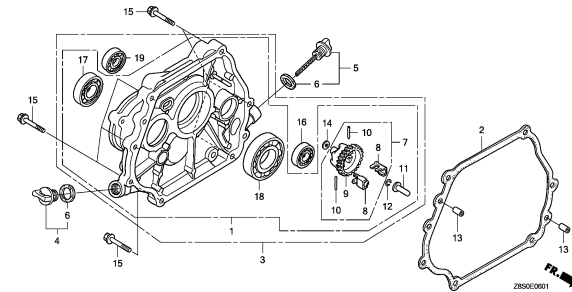
**D 5**



**E-6-1**

CRANKCASE COVER(2)

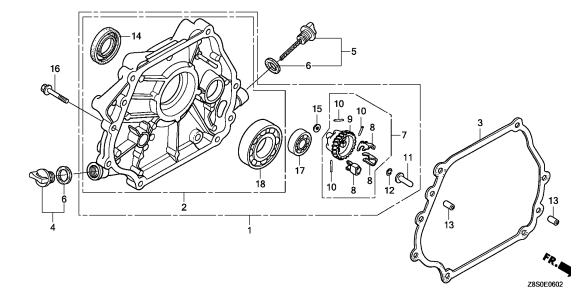
**D 7**



**E-6-2**

CRANKCASE COVER(3)

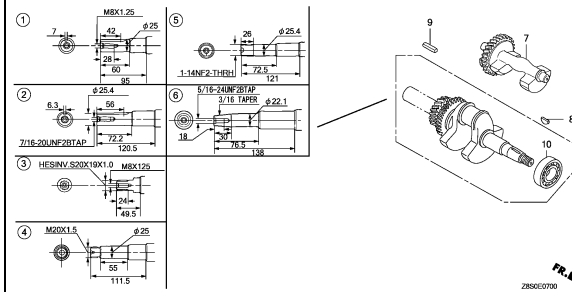
**D 8**



**E-7**

CRANKSHAFT

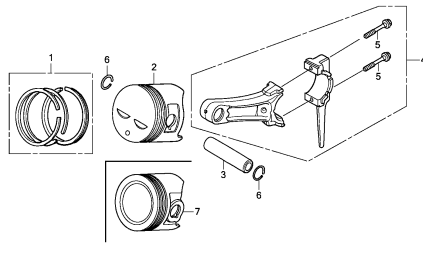
**D 9**



**E-8**

PISTON/CONNECTING ROD

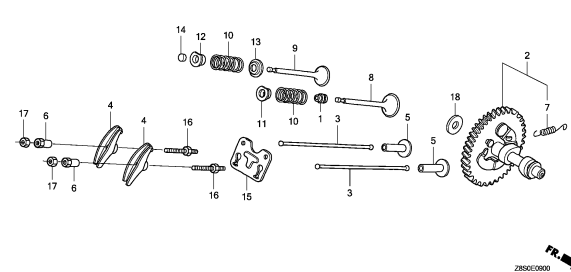
**D11**



**E-9**

CAMSHAFT

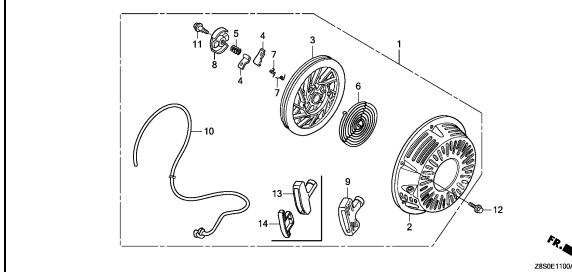
**D13**



**E-11**

RECOIL STARTER(1)

**D16**



**2**



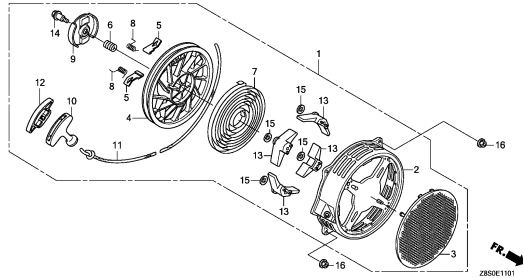
# ENGINE GROUP

C 6

E-11-1

RECOIL STARTER(2)

E 2

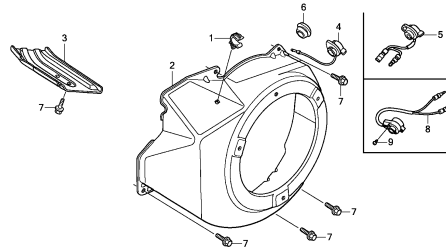


Z850E1101

E-12

FAN COVER(1)

E 3

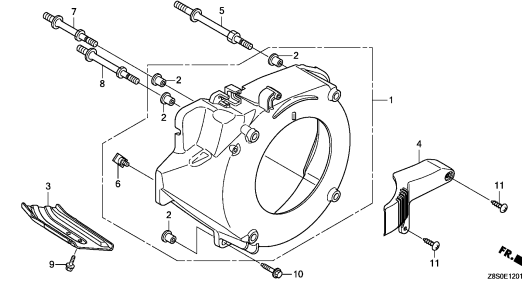


Z850E1200A

E-12-1

FAN COVER(2)

E 5

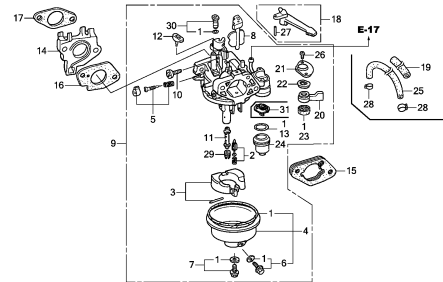


Z850E1201

E-14

CARBURETOR(1)

E 6

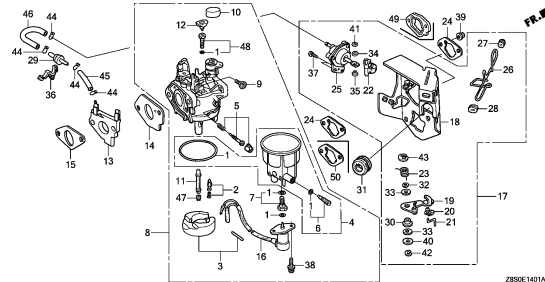


Z850E1400A

E-14-1

CARBURETOR(2)

E10

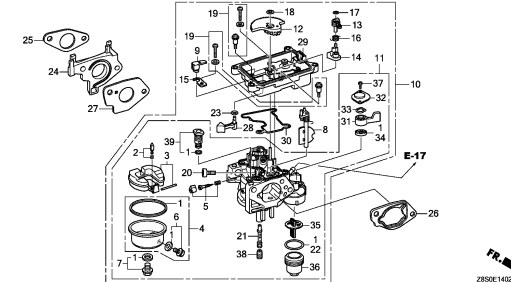


Z850E1401A

E-14-2

CARBURETOR(3)

E13

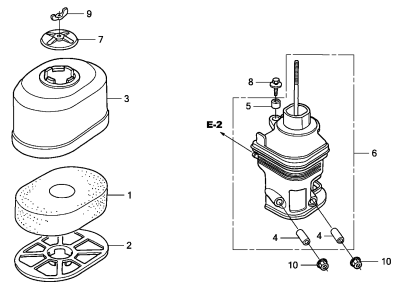


Z850E1402A

E-15

AIR CLEANER(1)

E15

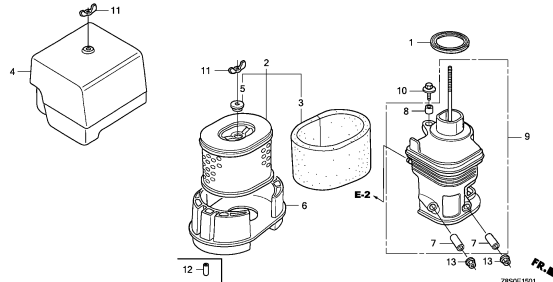


Z850E1500

E-15-1

AIR CLEANER(2)

E16

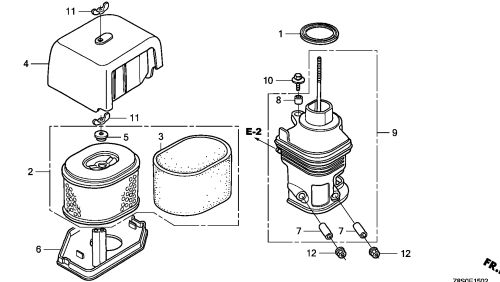


Z850E1501

E-15-2

AIR CLEANER(3)

F 1



Z850E1502

2

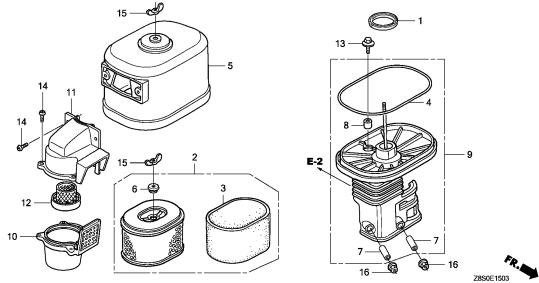
# ENGINE GROUP

C 7

E-15-3

AIR CLEANER(4)

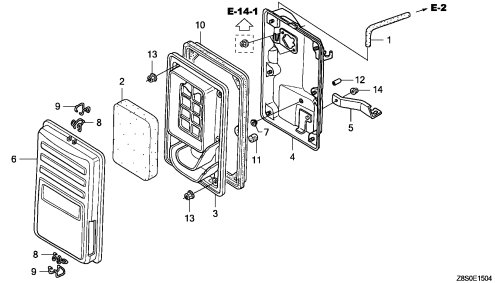
F 2



E-15-4

AIR CLEANER(5)

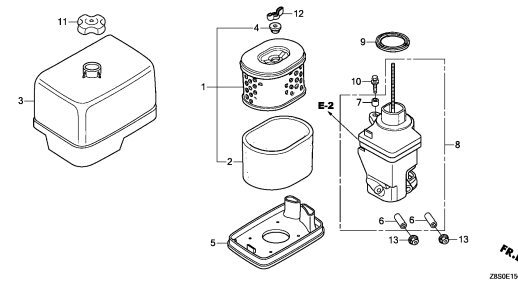
F 3



E-15-5

AIR CLEANER(6)

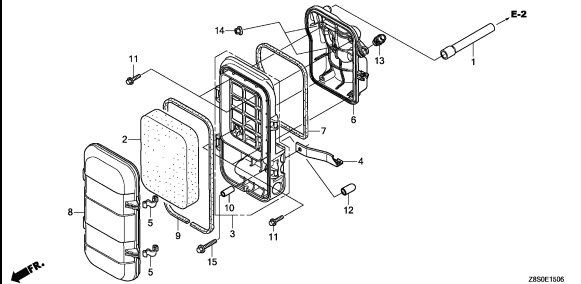
F 4



E-15-6

AIR CLEANER(7)

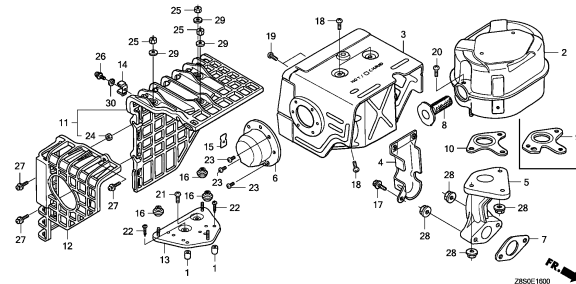
F 5



E-16

MUFFLER(1)

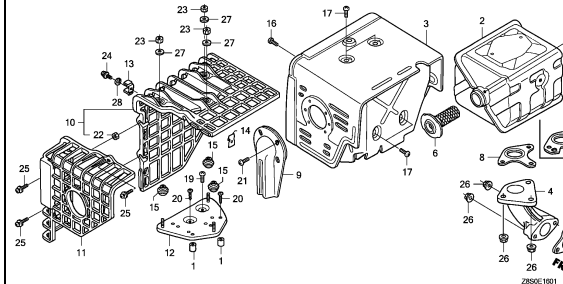
F 6



E-16-1

MUFFLER(2)

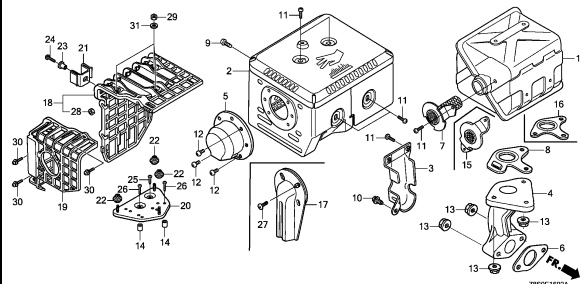
F 8



E-16-2

MUFFLER(3)

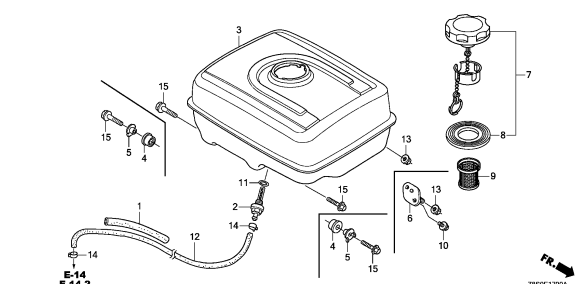
F10



E-17

FUEL TANK

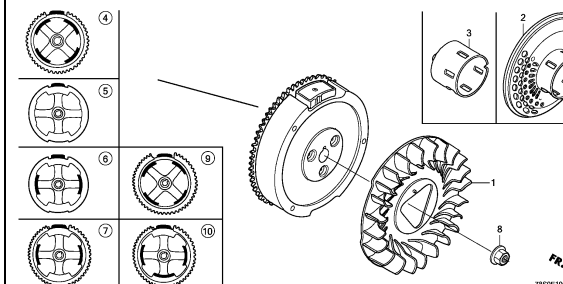
F13



E-19

FLYWHEEL

F15



2

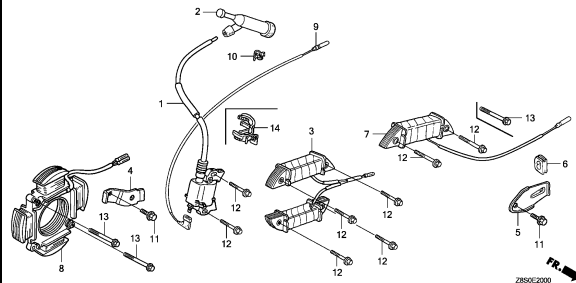
# ENGINE GROUP

C 8

E-20

IGNITION COIL(1)

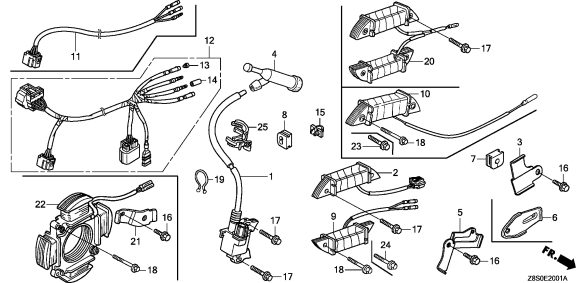
F16



E-20-1

IGNITION COIL(2)

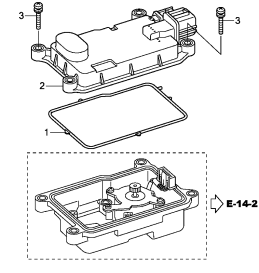
G 1



E-20-10

ELECTRONIC CONTROL UNIT

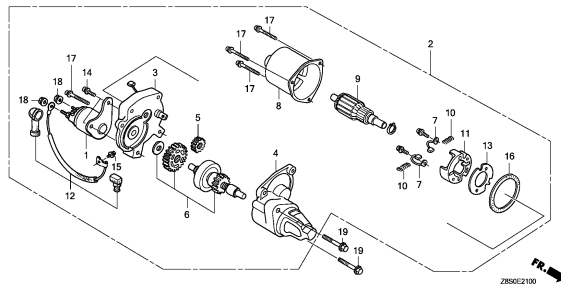
G 3



E-21

STARTER MOTOR(1)

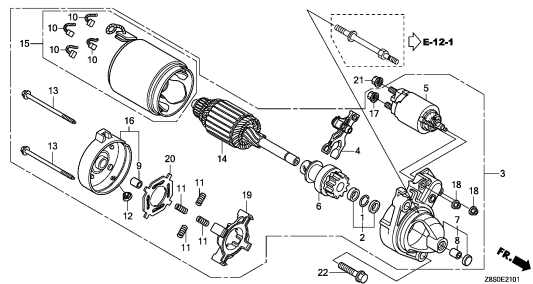
G 4



E-21-1

STARTER MOTOR(2)

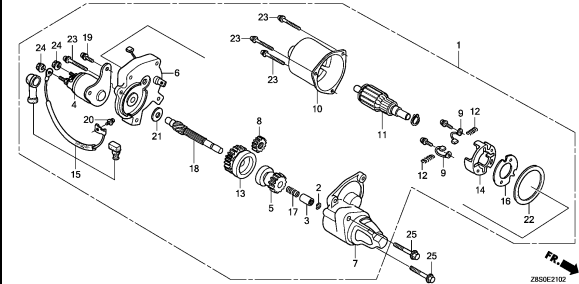
G 6



E-21-2

STARTER MOTOR(3)

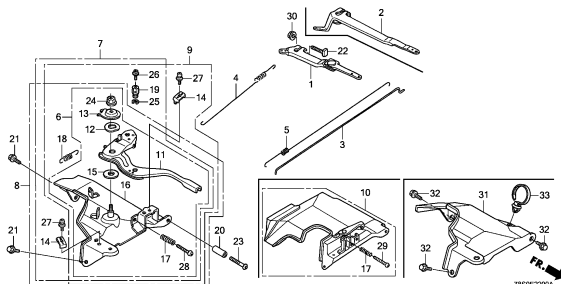
G 7



E-22

CONTROL

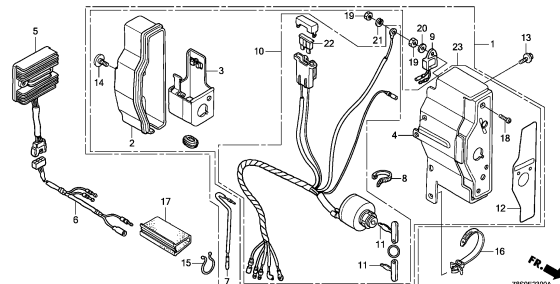
G 8



E-23

CONTROL BOX(1)

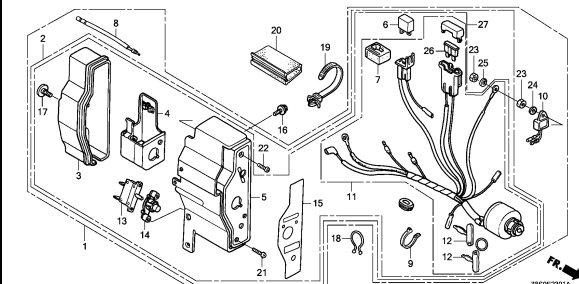
G11



E-23-1

CONTROL BOX(2)

G13



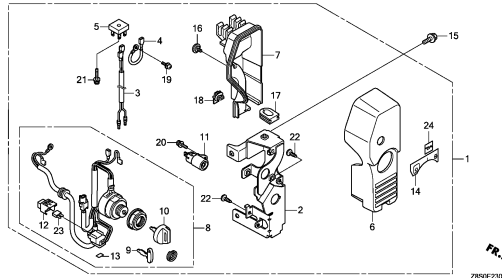
# ENGINE GROUP

C 9

E-23-2

CONTROL BOX(3)

G15

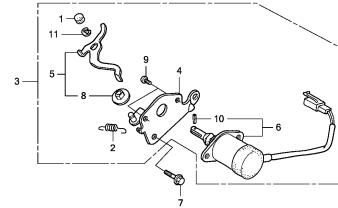


Z850E2302

E-23-20

AUTO THROTTLE

G16

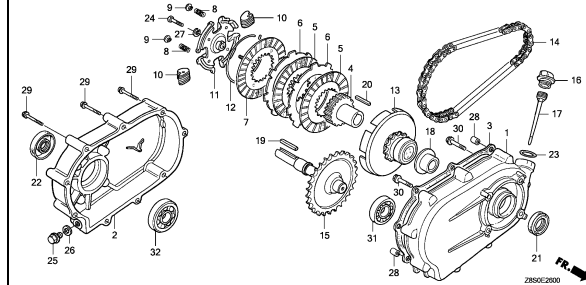


Z850E2320

E-26

REDUCTION(1)

H 1

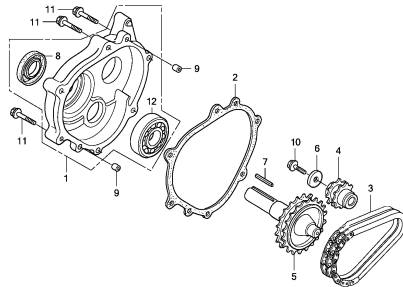


Z850E2600

E-26-1

REDUCTION(2)

H 3

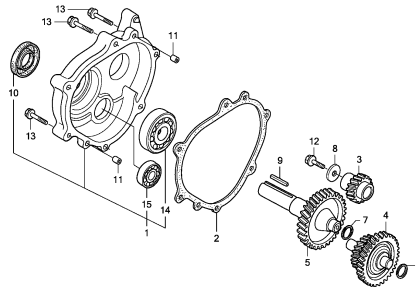


Z850E2601

E-26-2

REDUCTION(3)

H 4

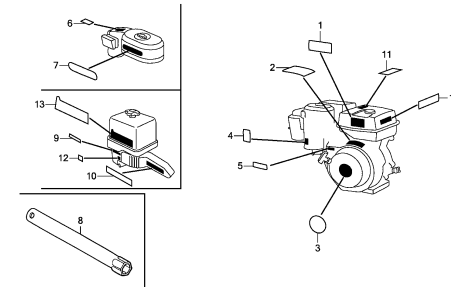


Z850E2602

E-28

LABEL/TOOL

H 5

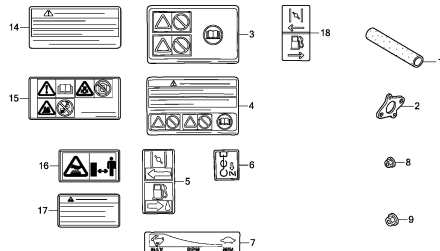


Z850E2800A

E-40

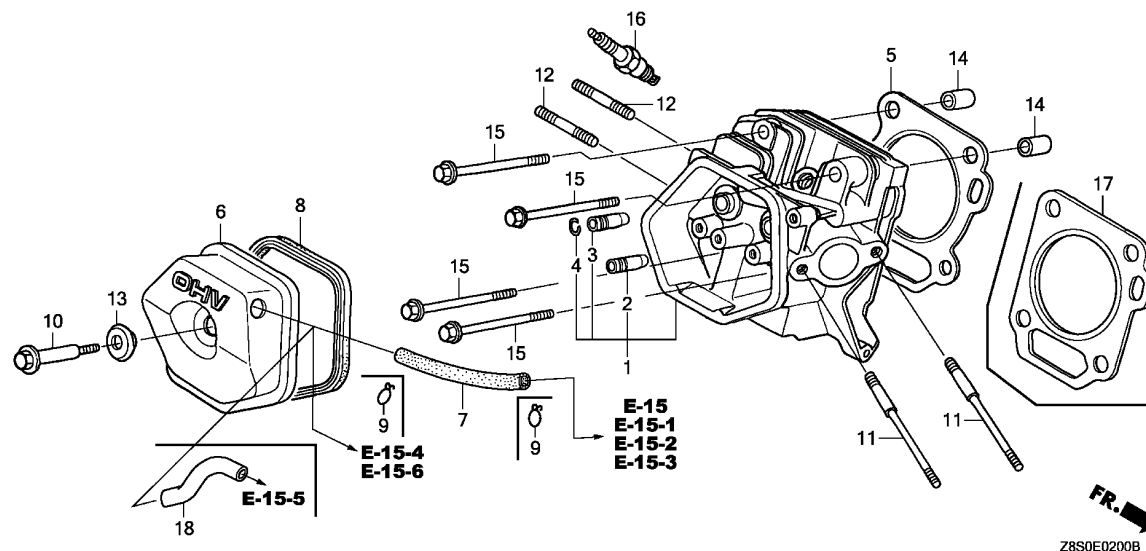
OTHER PARTS

H 7



Z850E40000

2

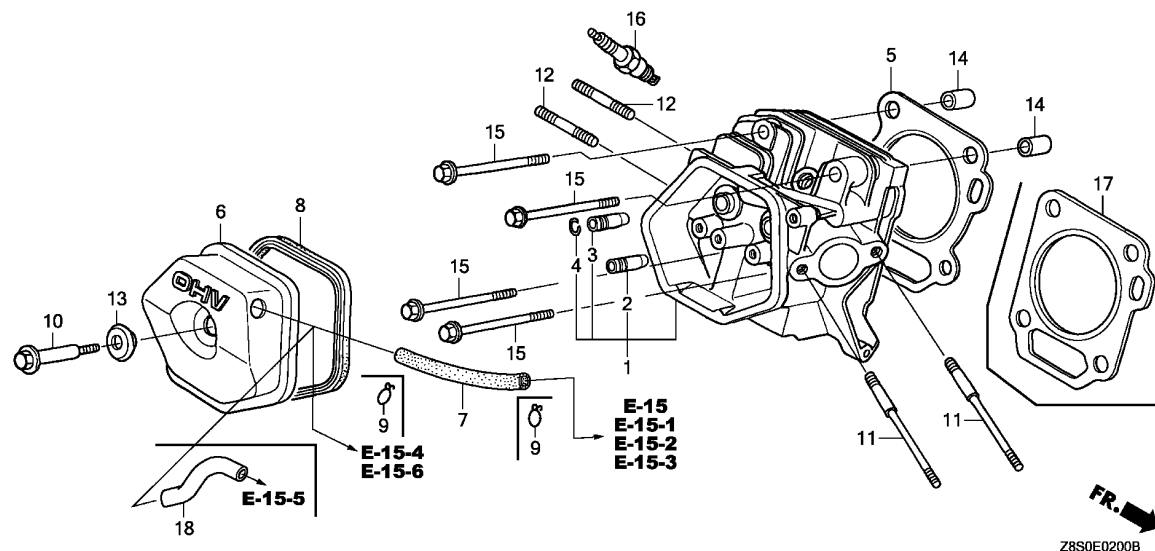


Ref. No.	L.O.N.	(Relative ref. Number) Description	F.R.T.
1	1111N3	HEAD, CYLINDER ..... .INCLUDES: Valve clearance adjustment and reface	0.9
	1111N3C	.iGX type add .....	0.2
2	1111E9	GUIDE, INTAKE VALVE ..... .INCLUDES: Valve clearance adjustment	0.8
	1111E9E	.Replace intake and exhaust all add .....	0.2
	1111E9H	.iGX type add .....	0.2
3	1111E8	GUIDE, EXHAUST VALVE ..... .INCLUDES: Valve clearance adjustment	0.8
	1111E8E	.Replace intake and exhaust all add .....	0.2
	1111E8H	.iGX type add ..... (17)	0.2
5	1111N4	GASKET, CYLINDER HEAD .....	0.5
	1111N4C	.iGX type add .....	0.2
6	1111D5	COVER, CYLINDER HEAD AND/OR PACKING, HEAD COVER .....	0.1
7	1111K5	TUBE, BREATHER .....	0.1
+16	6141C1	PLUG, SPARK .....	0.1

Ref. No.	Part No.	Description	Reqd. QTY				Serial No.	Parts catalogue code
			GX 240 UT1	GX 240 RT1	GX 240 UT2	GX 240 RT2		
1	12200-Z1D-405	HEAD COMP., CYLINDER .....	1	1	-	-		
	12210-Z5K-405	.....	-	1	1			
2	12204-ZE2-306	GUIDE, IN. VALVE(O.S.) .....	1	1	1	1		
3	12205-ZE2-305	GUIDE, EX. VALVE(O.S.) .....	1	1	1	1		
4	12216-ZE2-300	CLIP, VALVE GUIDE .....	1	1	1	1		
5	12251-Z8S-801	GASKET, CYLINDER HEAD .....	1	1	-	-		
6	12310-ZE2-020	COVER COMP., HEAD .....	1	1	-	-	HA2,LHE4,LX2,LXQ4,PA2,QA2,QAE2,QAG2,QAR2,QHB2,QHB4,QHQ4,QXB7,QXB9,QXE4,QXQ4,QXU,RA2,RHQ4,SXE4,SXQ4,SXU,VMT2,VTA2,VXB7,VXB9,VXQ4,WKT2	
	12310-ZE3-791	COVER COMP., HEAD (BREATHER TUBE JOINT) .....	1	-	-	-	QXC9	
	12310-Z5T-000	COVER, CYLINDER HEAD .....	-	1	1			
7	95005-11100-30	TUBE, 11X100(95005-11001-30M) .....	1	1	-	-	HA2,LHE4,LX2,LXQ4,PA2,QA2,QAE2,QAG2,QAR2,QHB2,QHB4,QHQ4,QXB7,QXB9,QXE4,QXQ4,QXU,RA2,RHQ4,SXE4,SXQ4,SXU,VTA2,VXB7,VXB9,VXQ4,WKT2	
	12315-ZE3-840	TUBE, BREATHER .....	1	-	-	-	QXC9	
8	12391-ZE2-020	PACKING, HEAD COVER .....	1	1	1	1		
9	17316-611-000	CLIP, BREATHER TUBE .....	2	-	-	-	QXC9	
10	90014-ZE2-000	BOLT, HEAD COVER .....	1	1	-	-		
	90014-Z5T-000	.....	-	-	1	1		
11	90042-ZE2-000	BOLT, STUD, 8X123 .....	2	2	2	-	HA2,LHE4,LX2,LXQ4,PA2,QA2,QAE2,QAG2,QAR2,QHB2,QHB4,QHQ4,QXB7,QXB9,QXC9,QXE4,QXQ4,QXU,RA2,RHQ4,SXE4,SXQ4,SXU,VTA2,VXB7,VXB9,VXQ4,WKT2	
	90042-ZE2-700	BOLT, STUD, 8X98 .....	-	2	-	-	VMT2	
	90042-ZE8-000	BOLT, STUD, 8X131.5 .....	-	-	2	-	QZA2,QZAV,QZX4	
	90042-ZK2-D60	BOLT, STUD, 8X106 .....	-	-	-	2		

E-2

CYLINDER HEAD

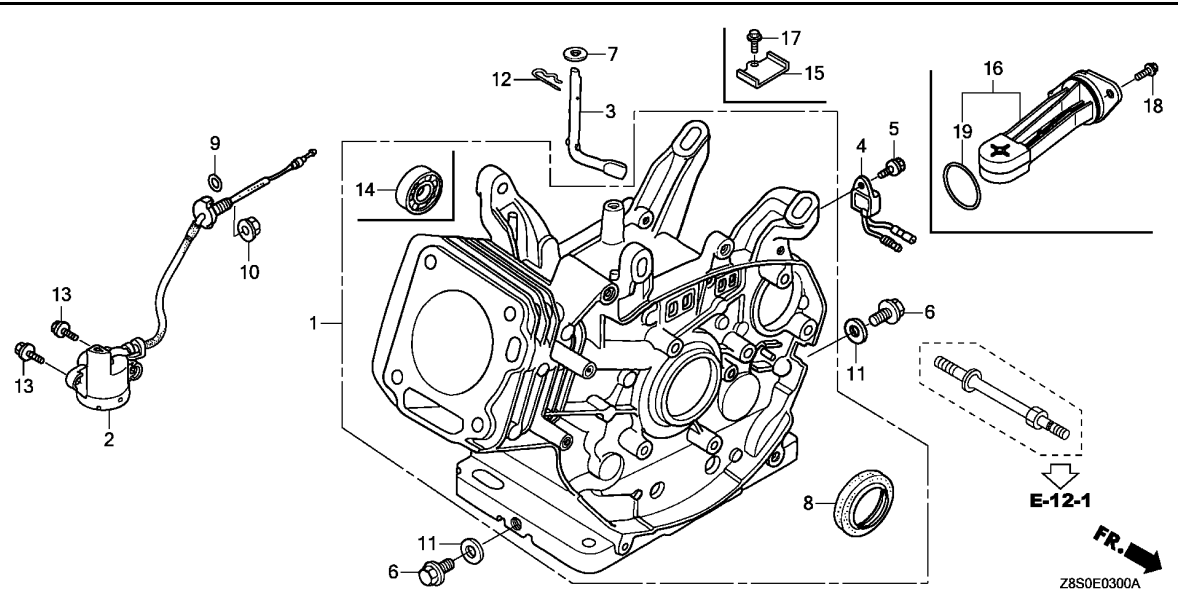


Ref. No.	L.O.N.	(Relative ref. Number) Description	F.R.T.
----------	--------	------------------------------------	--------

+16 .INCLUDES: Spark plug check

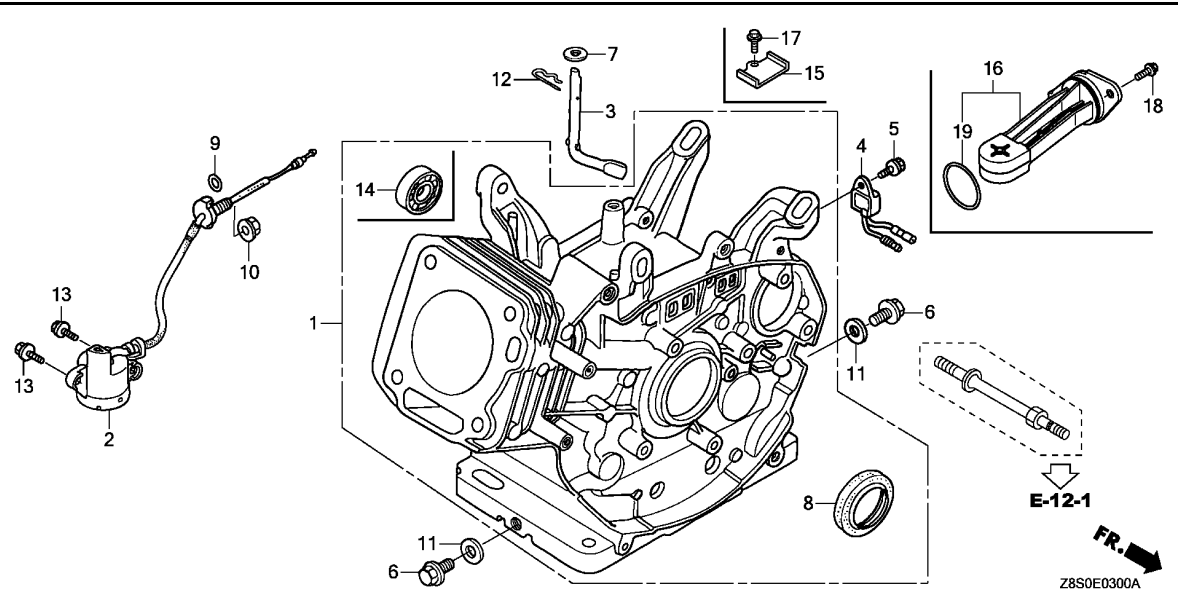
Ref. No.	Part No.	Description	Reqd. QTY				Serial No.	Parts catalogue code
			GX 240 UT1	GX 240 RT1	GX 240 UT2	GX 240 RT2		
12	92900-08032-0E	BOLT, STUD, 8X32 .....	2	2	2	-	HA2,LHE4,LX2,LXQ4,PA2,QA2,QAE2,QAG2,QAR2,QHB2,QHB4,QHQ4,QXB7,QXB9,QXC9,QXE4,QXQ4,QXU,QZA2,QZAV,QZX4,RA2,RHQ4,SXE4, SXQ4, SXU VTA2,VXB7,VXB9,VXQ4,WKT2	
	90047-ZE3-791	BOLT, STUD, 8X40 .....	-	2	-	2	VMT2	
13	90441-ZE2-010	WASHER COMP., HEAD COVER .....	1	1	1	1		
14	94301-12200	DOWEL PIN, 12X20 .....	2	2	2	2		
15	95701-10080-00	BOLT, FLANGE, 10X80 .....	4	4	4	4		
16	98079-55855	PLUG, SPARK (W16EPR-U) (DENSO) .....	(1)	(1)	(1)	-	HA2,LHE4,LX2,LXQ4,PA2,QA2,QAE2,QAG2,QAR2,QHB2,QHB4,QHQ4,QXB7,QXB9,QXC9,QXE4,QXQ4,QXU,QZA2,QZAV,QZX4,RA2,RHQ4,SXE4, SXQ4, SXU VTA2,VXB7,VXB9,VXQ4,WKT2	
	98079-56855	PLUG, SPARK (W20EPR-U) (DENSO) .....	1	1	1	-	HA2,LHE4,LX2,LXQ4,PA2,QA2,QAE2,QAG2,QAR2,QHB2,QHB4,QHQ4,QXB7,QXB9,QXC9,QXE4,QXQ4,QXU,QZA2,QZAV,QZX4,RA2,RHQ4,SXE4, SXQ4, SXU VTA2,VXB7,VXB9,VXQ4,WKT2	
	98079-56876	PLUG, SPARK (BPR6ES) (NGK) .....	1	1	1	-	HA2,LHE4,LX2,LXQ4,PA2,QA2,QAE2,QAG2,QAR2,QHB2,QHB4,QHQ4,QXB7,QXB9,QXC9,QXE4,QXQ4,QXU,QZA2,QZAV,QZX4,RA2,RHQ4,SXE4, SXQ4, SXU VTA2,VXB7,VXB9,VXQ4,WKT2	
	98079-55846	PLUG, SPARK (BPR5ES) (NGK) .....	(1)	(1)	-	-	HA2,LHE4,LX2,LXQ4,PA2,QA2,QAE2,QAG2,QAR2,QHB2,QHB4,QHQ4,QXB7,QXB9,QXC9,QXE4,QXQ4,QXU,RA2,RHQ4,SXE4, SXQ4, SXU VTA2,VXB7,VXB9,VXQ4,WKT2	
	98079-55855	PLUG, SPARK (W16EPR-U) (DENSO) .....	-	1	-	1	VMT2	
	98079-55846	PLUG, SPARK (BPR5ES) (NGK) .....	-	1	-	-	VMT2	
	98079-55876	.....	-	-	(1)	-	HA2,LX2,LXQ4,PA2,QAG2,QAR2,QHB2,QHB4,QHQ4,QXB7,QXB9,QXE4,QXQ4,QXU,QZAV,QZX4,RA2,SXE4, SXQ4, VXB7,VXB9,WKT2	
	98079-55846	.....	-	-	(1)	-	QA2,QAE2,QZA2	
	98079-55876	.....	-	-	-	1		
17	12251-Z5K-003	GASKET, CYLINDER HEAD .....	-	-	1	1		
18	12357-Z5T-010	TUBE, BREATHER .....	-	-	1	-		





Ref. No.	L.O.N.	(Relative ref. Number) Description	F.R.T.
1	1101A0	BARREL, CYLINDER .....	1.8
	1101A0G	.iGX type add .....	0.2
2	6151E8	SWITCH, OIL LEVEL .....	0.5
3	1161B4	SHAFT, GOVERNOR ARM .....	1.1
	1161B4D	.iGX type add .....	0.2
4	6151A0	ALERT UNIT, ENGINE OIL .....	0.1
8	1101E4	OIL SEAL, CRANKSHAFT :FRONT ..	1.8
	1101E4C	.iGX type add .....	0.2
14	1101F4	BEARING, BALANCER WEIGHT	
		:FRONT .....	1.9
	1101F4C	.iGX type add .....	0.2
16	6151N6	SWITCH, OIL LEVEL(A) .....	0.2
		.NOTE: iGX type	

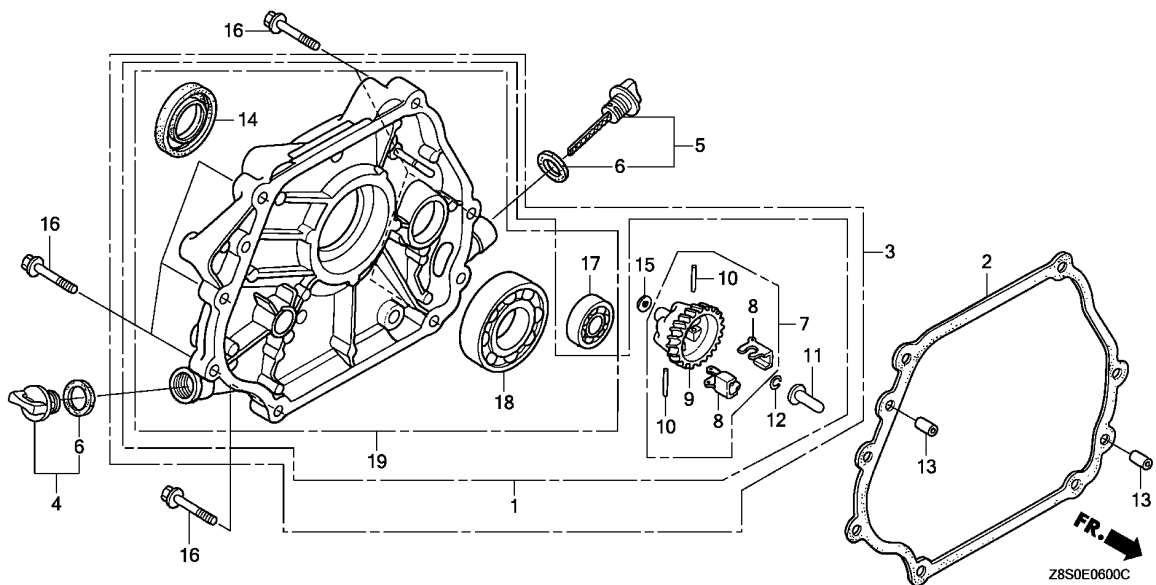
Ref. No.	Part No.	Description	Reqd. QTY				Serial No.	Parts catalogue code
			GX 240 UT1	GX 240 RT1	GX 240 UT2	GX 240 RT2		
1	12000-Z8S-408	BARREL ASSY., CYLINDER .....	1	1	-	-	HA2,PA2,QA2,QAG2,RA2,VMT2,VTA2	
	12000-Z8S-Q10	.....	1	-	-	-	LHE4	
	12000-Z8S-406	.....	1	-	-	-	LX2,LXQ4,QXB7,QXB9,QXC9,QXQ4,QXU,SXQ4,SXU,VXB7,VXB9,VXQ4,WKT2	
	12000-Z8S-409	.....	1	-	-	-	QAE2,QAR2	
	12000-Z8S-405	.....	1	-	-	-	QHB2,QHB4,QHQ4,RHQ4	
	12000-Z8S-407	.....	1	-	-	-	QXE4,SXE4	
	12000-Z5K-Q00	.....	-	-	1	-	HA2,PA2,QA2,QAG2,RA2,VMT2	
	12000-Z5K-406	.....	-	-	1	-	LX2,LXQ4,QXB7,QXB9,QXQ4,QXU,SXQ4,VXB7,VXB9,WKT2	
	12000-Z5K-Q10	.....	-	-	1	-	QAE2,QAR2	
	12000-Z5K-405	.....	-	-	1	-	QHB2,QHB4,QHQ4	
	12000-Z5K-407	.....	-	-	1	-	QXE4,SXE4	
	12000-Z5K-Q60	.....	-	-	1	-	QZA2,QZAV	
	12000-Z5K-Q20	.....	-	-	1	-	QZX4	
2	35480-ZF6-003	SWITCH ASSY., OIL LEVEL .....	1	1	-	1	HA2,LX2,LXQ4,PA2,QA2,QAG2,QXB7,QXB9,QXC9,QXQ4,QXU,RA2,SXQ4,SXU,VMT2,VTA2,VXB7,VXB9,VXQ4,WKT2	
	15510-ZE2-053	.....	1	-	-	-	QAE2,QAR2,QXE4,SXE4	
	35480-ZF6-003	.....	-	-	1	-	HA2,LX2,LXQ4,PA2,QA2,QAE2,QAG2,QAR2,QXB7,QXB9,QXE4,QXQ4,QXU,RA2,SXE4,SXQ4,VXB7,VXB9,WKT2	
3	16541-ZE2-010	SHAFT, GOVERNOR ARM .....	1	1	1	1	HA2,LHE4,LX2,LXQ4,PA2,QA2,QAE2,QAG2,QAR2,QHB2,QHB4,QHQ4,QXB7,QXB9,QXC9,QXE4,QXQ4,QXU,RA2,RHQ4,SXE4,SXQ4,SXU,VMT2,VTA2,VXB7,VXB9,VXQ4,WKT2	
4	34150-ZH7-013	ALERT UNIT, OIL .....	1	1	-	-	HA2,LX2,LXQ4,PA2,QA2,QAG2,QXB7,QXB9,QXC9,QXQ4,QXU,RA2,SXQ4,SXU,VMT2,VTA2,VXB7,VXB9,VXQ4,WKT2	
5	90013-883-000	BOLT, FLANGE, 6X12(CT200) ...	1	1	-	-	HA2,LX2,LXQ4,PA2,QA2,QAG2,QXB7,QXB9,QXC9,QXQ4,QXU,RA2,SXQ4,SXU,VMT2,VTA2,VXB7,VXB9,VXQ4,WKT2	
6	90131-883-000	BOLT, DRAIN PLUG, 12X15 .....	2	2	2	2		



Ref. No.	Part No.	Description	Reqd. QTY				Serial No.	Parts catalogue code
			GX 240 UT1	GX 240 RT1	GX 240 UT2	GX 240 RT2		
7	90446-KE1-000	WASHER, 8.2X17X0.8	1	1	1	1	HA2,LHE4,LX2,LXQ4,PA2,QA2,QAE2,QAG2,QAR2,QHB2,QHB4,QHQ4,QXB7,QXB9,QXC9,QXE4,QXQ4,QXU,RA2,RHQ4,SXE4,SXQ4,SXU,VMT2,VTA2,VXB7,VXB9,VXQ4,WKT2	
8	91201-Z1D-003	OIL SEAL, 30X46X8	1	1	1	1	HA2,LX2,LXQ4,PA2,QA2,QAE2,QAG2,QAR2,QXB7,QXB9,QXC9,QXE4,QXQ4	
9	91353-671-004	O-RING, 14MM(NOK)	1	1	1	1	HA2,LX2,LXQ4,PA2,QA2,QAE2,QAG2,QAR2,QXB7,QXB9,QXC9,QXE4,QXQ4	
10	94050-10000	NUT, FLANGE, 10MM	1	1	1	1	HA2,LX2,LXQ4,PA2,QA2,QAE2,QAG2,QAR2,QXB7,QXB9,QXC9,QXE4,QXQ4	
11	94109-12000	WASHER, DRAIN PLUG, 12MM	2	2	2	2	HA2,LHE4,LX2,LXQ4,PA2,QA2,QAE2,QAG2,QAR2,QHB2,QHB4,QHQ4,QXB7,QXB9,QXC9,QXE4,QXQ4,QXU,RA2,RHQ4,SXE4,SXQ4,SXU,VMT2,VTA2,VXB7,VXB9,VXQ4,WKT2	
12	94251-10000	PIN, LOCK, 10MM	1	1	1	1	HA2,LHE4,LX2,LXQ4,PA2,QA2,QAE2,QAG2,QAR2,QHB2,QHB4,QHQ4,QXB7,QXB9,QXC9,QXE4,QXQ4,QXU,RA2,RHQ4,SXE4,SXQ4,SXU,VMT2,VTA2,VXB7,VXB9,VXQ4,WKT2	
13	95701-06012-00	BOLT, FLANGE, 6X12	2	2	2	2	HA2,LX2,LXQ4,PA2,QA2,QAE2,QAG2,QAR2,QXB7,QXB9,QXC9,QXE4,QXQ4	
14	96100-62020-00	BEARING, RADIAL BALL, 6202	1	1	1	1	HA2,PA2,QA2,QAE2,QAG2,QAR2,QZA2,QZAV,RA2,VMT2,VTA2	
15	32115-Z5T-W00	BRACKET A, HARNESS	-	-	1	-	QZA2,QZAV,QZX4	
16	35480-Z5K-W01	SWITCH ASSY., OIL LEVEL	-	-	1	-	QZA2,QZAV,QZX4	
17	90013-883-000	BOLT, FLANGE, 6X12(CT200)	-	-	1	-	QZA2,QZAV,QZX4	
18	90029-888-000	BOLT, FLANGE, 6X16(CT200)	-	-	2	-	QZA2,QZAV,QZX4	
19	91309-Z6L-000	O-RING, 37.9X2.4	-	-	1	-	QZA2,QZAV,QZX4	







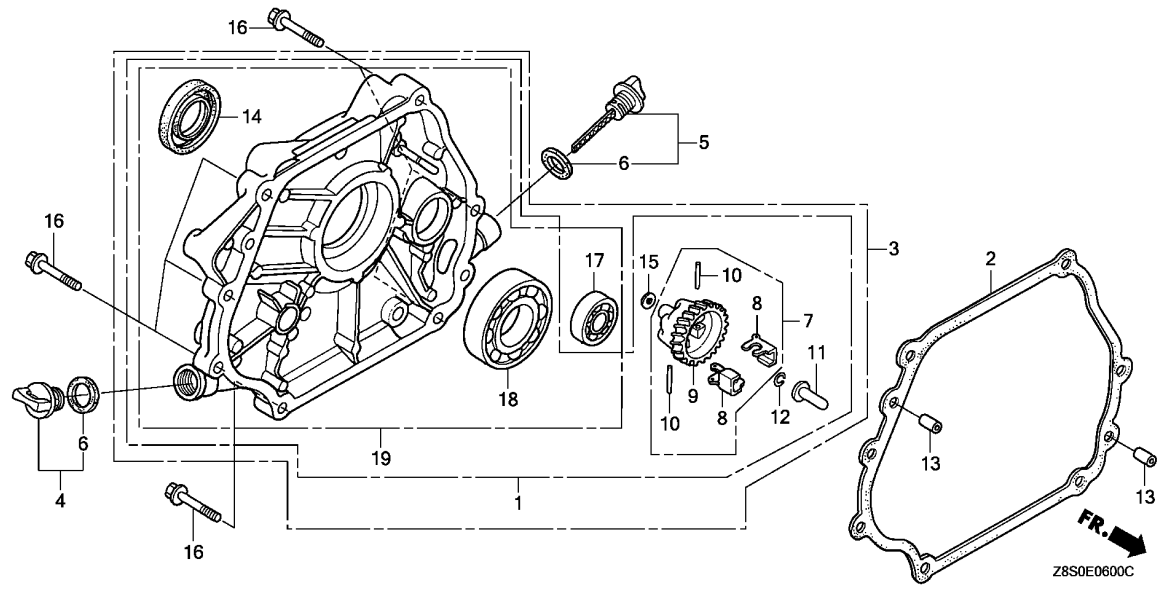
Ref. No.	L.O.N.	(Relative ref. Number) Description	F.R.T.
2	1101E9	PACKING, CRANKCASE COVER .....	0.2
3		(1,19)	
7	1101F1	COVER, CRANKCASE .....	0.2
9	1161C4	GOVERNOR ASSEMBLY .....	0.3
		(8,10)	
11	1161A7	HOLDER, GOVERNOR WEIGHT .....	0.4
		(12)	
	1161B6	SLIDER, GOVERNOR .....	0.3
14	1101E5	OIL SEAL, CRANKSHAFT :REAR ...	0.3
17	1101F5	BEARING, BALANCER WEIGHT :REAR	0.4
18	1101A6	BEARING, CRANKSHAFT :REAR ....	0.4

Ref. No.	Part No.	Description	Reqd. QTY				Serial No.	Parts catalogue code
			GX 240 UT1	GX 240 RT1	GX 240 UT2	GX 240 RT2		
1	11300-Z1D-600	COVER ASSY., CRANKCASE .....	1	-	1	-	QHB2,QHB4,QHQ4,QXB7,QXB9,QXC9,QXE4,QXQ4,QXU,VXB7,VXB9,VXQ4	
	11300-Z1D-000	.....	1	-	1	-	RHQ4,SXE4,SXQ4,SXU	
	11300-ZE2-632	.....	1	-	1	-	WKT2	
2	11381-ZE2-801	PACKING, CASE COVER .....	1	1	-	-	PA2,QA2,QAE2,QAG2,QAR2,QHB2,QHB4,QHQ4,QXB7,QXB9,QXC9,QXE4,QXQ4,QXU,RA2,RHQ4,SXE4,SXQ4,SXU,VMT2,VTA2,VXB7,VXB9,VXQ4,WKT2	
	11381-Z5K-000	.....	-	-	1	-	PA2,QA2,QAE2,QAG2,QAR2,QHB2,QHB4,QHQ4,QXB7,QXB9,QXE4,QXQ4,QXU,RA2,SXE4,SXQ4,VXB7,VXB9,WKT2	
3	11400-Z1D-600	COVER ASSY., CRANKCASE .....	1	1	1	-	PA2,QA2,QAE2,QAG2,QAR2,VMT2,VTA2	
	11400-Z8S-000	.....	1	-	1	-	RA2	
4	15600-Z0T-820	CAP ASSY., OIL FILLER .....	1	1	1	-	PA2,QA2,QAE2,QAG2,QAR2,QHB2,QHB4,QHQ4,QXB7,QXB9,QXC9,QXE4,QXQ4,QXU,QZA2,QZAV,RA2,RHQ4,SXE4,SXQ4,SXU,VMT2,VTA2,VXB7,VXB9,VXQ4,WKT2	
5	15600-Z1C-000	CAP ASSY., OIL FILLER .....	1	1	1	-	PA2,QA2,QAE2,QAG2,QAR2,QHB2,QHB4,QHQ4,QXB7,QXB9,QXC9,QXE4,QXQ4,QXU,QZA2,QZAV,RA2,RHQ4,SXE4,SXQ4,SXU,VMT2,VTA2,VXB7,VXB9,VXQ4,WKT2	
6	15625-Z0T-800	PACKING, OIL FILLER CAP .....	2	2	2	-	PA2,QA2,QAE2,QAG2,QAR2,QHB2,QHB4,QHQ4,QXB7,QXB9,QXC9,QXE4,QXQ4,QXU,QZA2,QZAV,RA2,RHQ4,SXE4,SXQ4,SXU,VMT2,VTA2,VXB7,VXB9,VXQ4,WKT2	
7	16510-ZE2-811	GOVERNOR ASSY. ....	1	1	1	-	PA2,QA2,QAE2,QAG2,QAR2,RA2,VMT2,VTA2	
	16510-ZE2-000	.....	1	-	1	-	QHB2,QHB4,QHQ4,QXB7,QXB9,QXC9,QXE4,QXQ4,QXU,RHQ4,SXE4,SXQ4,SXU,VXB7,VXB9,VXQ4,WKT2	
8	16511-ZE2-000	WEIGHT, GOVERNOR .....	2	2	2	-	PA2,QA2,QAE2,QAG2,QAR2,QHB2,QHB4,QHQ4,QXB7,QXB9,QXC9,QXE4,QXQ4,QXU,RA2,RHQ4,SXE4,SXQ4,SXU,VMT2,VTA2,VXB7,VXB9,VXQ4,WKT2	
9	16512-ZE2-811	HOLDER, GOVERNOR WEIGHT .....	1	1	1	-	PA2,QA2,QAE2,QAG2,QAR2,RA2,VMT2,VTA2	
	16512-ZE2-000	.....	1	-	1	-	QHB2,QHB4,QHQ4,QXB7,QXB9,QXC9,QXE4,QXQ4,QXU,RHQ4,SXE4,SXQ4,SXU,VXB7,VXB9,VXQ4,WKT2	
10	16513-ZE2-000	PIN, GOVERNOR WEIGHT .....	2	2	2	-	PA2,QA2,QAE2,QAG2,QAR2,QHB2,QHB4,QHQ4,QXB7,QXB9,QXC9,QXE4,QXQ4,QXU,RA2,RHQ4,SXE4,SXQ4,SXU,VMT2,VTA2,VXB7,VXB9,VXQ4,WKT2	

E-6

CRANKCASE COVER(1)

D 6



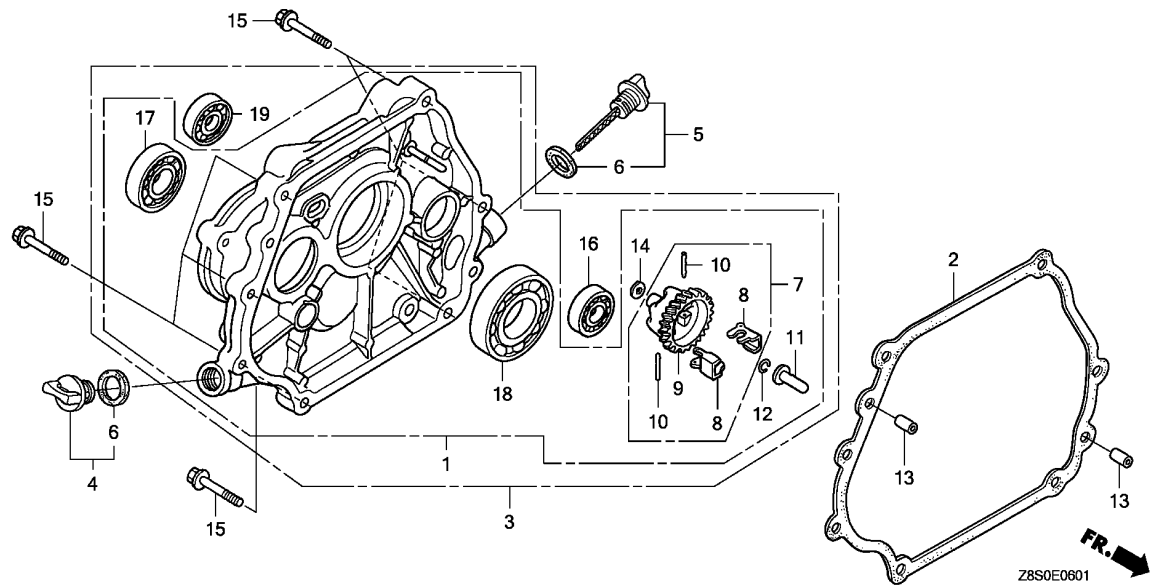
Ref. No.	Part No.	Description	Reqd. QTY				Serial No.	Parts catalogue code
			GX 240	GX 240	GX 240	GX 240		
			UT1	RT1	UT2	RT2		
11	16531-Z0A-000	SLIDER, GOVERNOR .....	1	1	1	-	-----	PA2,QA2,QAE2,QAG2,QAR2,QHB2,QHB4,QHQ4,QXB7,QXB9,QXC9,QXE4,QXQ4,QXU,RA2,RHQ4,SXE4,SXQ4,SXU,VMT2,VTA2,VXB7,VXB9,VXQ4,WKT2
12	90602-ZE1-000	CLIP, GOVERNOR HOLDER .....	1	1	1	-	-----	PA2,QA2,QAE2,QAG2,QAR2,QHB2,QHB4,QHQ4,QXB7,QXB9,QXC9,QXE4,QXQ4,QXU,RA2,RHQ4,SXE4,SXQ4,SXU,VMT2,VTA2,VXB7,VXB9,VXQ4,WKT2
13	90701-HC4-000	DOWEL PIN, 8X12 .....	2	2	2	-	-----	PA2,QA2,QAE2,QAG2,QAR2,QHB2,QHB4,QHQ4,QXB7,QXB9,QXC9,QXE4,QXQ4,QXU,QZA2,QZAV,RA2,RHQ4,SXE4,SXQ4,SXU,VMT2,VTA2,VXB7,VXB9,VXQ4,WKT2
14	91201-Z1D-003	OIL SEAL, 30X46X8 .....	1	1	1	-	-----	PA2,QA2,QAE2,QAG2,QAR2,QHB2,QHB4,QHQ4,QXB7,QXB9,QXC9,QXE4,QXQ4,QXU,QZA2,QZAV,RA2,RHQ4,SXE4,SXQ4,SXU,VMT2,VTA2,VXB7,VXB9,VXQ4,WKT2
	91201-889-003	OIL SEAL, 30X45X8 .....	1	-	1	-	-----	WKT2
15	94101-06800	WASHER, PLAIN, 6MM .....	1	1	1	-	-----	PA2,QA2,QAE2,QAG2,QAR2,QHB2,QHB4,QHQ4,QXB7,QXB9,QXC9,QXE4,QXQ4,QXU,RA2,RHQ4,SXE4,SXQ4,SXU,VMT2,VTA2,VXB7,VXB9,VXQ4,WKT2
16	95701-08035-00	BOLT, FLANGE, 8X35 .....	7	7	7	-	-----	PA2,QA2,QAE2,QAG2,QAR2,QHB2,QHB4,QHQ4,QXB7,QXB9,QXC9,QXE4,QXQ4,QXU,QZA2,QZAV,RA2,RHQ4,SXE4,SXQ4,SXU,VMT2,VTA2,VXB7,VXB9,VXQ4,WKT2
17	96100-62020-00	BEARING, RADIAL BALL, 6202 ..	1	1	1	-	-----	PA2,QA2,QAE2,QAG2,QAR2,QZA2,QZAV,RA2,VMT2,VTA2
18	96100-62060-00	BEARING, RADIAL BALL, 6206 ..	1	1	1	-	-----	PA2,QA2,QAE2,QAG2,QAR2,QHB2,QHB4,QHQ4,QXB7,QXB9,QXC9,QXE4,QXQ4,QXU,QZA2,QZAV,RA2,RHQ4,SXE4,SXQ4,SXU,VMT2,VTA2,VXB7,VXB9,VXQ4,WKT2
19	11300-Z5K-W60	COVER ASSY., CRANKCASE .....	-	-	1	-	-----	QZA2,QZAV

2

# E-6-1

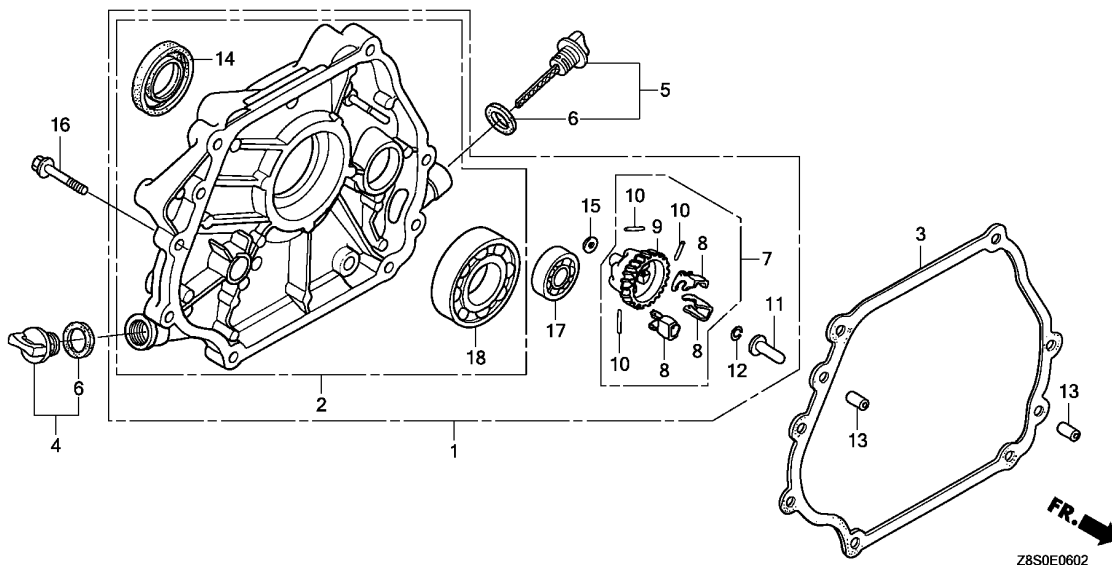
# CRANKCASE COVER(2)

D 7



Ref. No.	L.O.N.	(Relative ref. Number) Description	F.R.T.
2	1101F9	PACKING, CRANKCASE COVER(A) ..	0.3
3		(1)	
7	1101G0	COVER, CRANKCASE(A) .....	0.3
9	1161C4	GOVERNOR ASSEMBLY .....	0.3
		(8,10)	
11	1161A7	HOLDER, GOVERNOR WEIGHT .....	0.4
		(12)	
	1161B6	SLIDER, GOVERNOR .....	0.3
16	1101A3	BEARING, BALANCER WEIGHT .....	0.4
17	2141A7	BEARING, POWER TAKE OFF SHAFT :FRONT .....	0.4
18	1101A6	BEARING, CRANKSHAFT :REAR .....	0.4
19	2101U3	BEARING, COUNTERSHAFT :FRONT ..	0.4

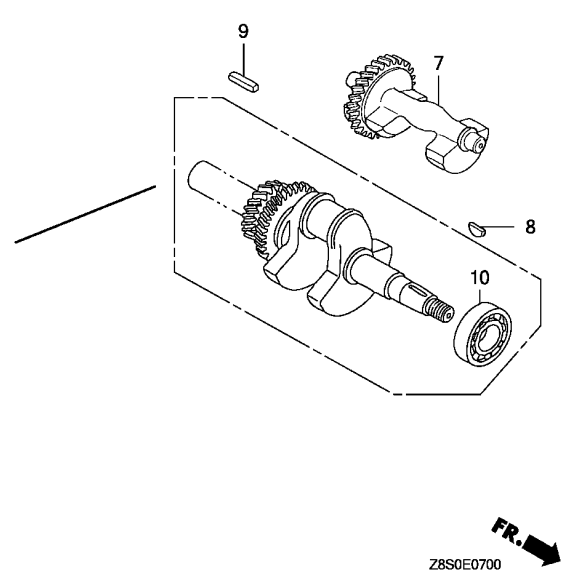
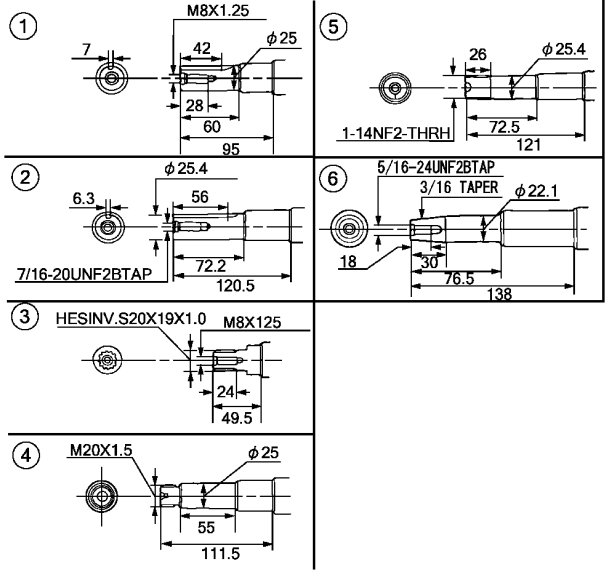
Ref. No.	Part No.	Description	Reqd. QTY				Serial No.	Parts catalogue code
			GX 240 UT1	GX 240 RT1	GX 240 UT2	GX 240 RT2		
1	11300-ZE2-612	COVER ASSY., CRANKCASE .....	1	-	1	-	LHE4,LX2,LXQ4	
2	11381-ZE2-801	PACKING, CASE COVER .....	1	-	-	-	HA2,LHE4,LX2,LXQ4	
	11381-Z5K-000	.....	-	-	1	-	HA2,LX2,LXQ4	
3	11400-ZE2-623	COVER ASSY., CRANKCASE .....	1	-	1	-	HA2	
4	15600-Z0T-820	CAP ASSY., OIL FILLER .....	1	-	1	-	HA2,LHE4,LX2,LXQ4	
5	15600-Z1C-000	CAP ASSY., OIL FILLER .....	1	-	1	-	HA2,LHE4,LX2,LXQ4	
6	15625-Z0T-800	PACKING, OIL FILLER CAP .....	2	-	2	-	HA2,LHE4,LX2,LXQ4	
7	16510-ZE2-811	GOVERNOR ASSY. ....	1	-	1	-	HA2	
	16510-ZE2-000	.....	1	-	1	-	LHE4,LX2,LXQ4	
8	16511-ZE2-000	WEIGHT, GOVERNOR .....	2	-	2	-	HA2,LHE4,LX2,LXQ4	
9	16512-ZE2-811	HOLDER, GOVERNOR WEIGHT .....	1	-	1	-	HA2	
	16512-ZE2-000	.....	1	-	1	-	LHE4,LX2,LXQ4	
10	16513-ZE2-000	PIN, GOVERNOR WEIGHT .....	2	-	2	-	HA2,LHE4,LX2,LXQ4	
11	16531-Z0A-000	SLIDER, GOVERNOR .....	1	-	1	-	HA2,LHE4,LX2,LXQ4	
12	90602-ZE1-000	CLIP, GOVERNOR HOLDER .....	1	-	1	-	HA2,LHE4,LX2,LXQ4	
13	90701-HC4-000	DOWEL PIN, 8X12 .....	2	-	2	-	HA2,LHE4,LX2,LXQ4	
14	94101-06800	WASHER, PLAIN, 6MM .....	1	-	1	-	HA2,LHE4,LX2,LXQ4	
15	95701-08035-00	BOLT, FLANGE, 8X35 .....	7	-	7	-	HA2,LHE4,LX2,LXQ4	
16	96100-62020-00	BEARING, RADIAL BALL, 6202 ..	1	-	1	-	HA2	
17	96100-62040-00	BEARING, RADIAL BALL, 6204 ..	1	-	1	-	HA2,LHE4,LX2,LXQ4	
18	96100-62060-00	BEARING, RADIAL BALL, 6206 ..	1	-	1	-	HA2,LHE4,LX2,LXQ4	
19	96100-63020-00	BEARING, RADIAL BALL, 6302 ..	1	-	1	-	HA2	



Ref. No.	L.O.N.	(Relative ref. Number) Description	F.R.T.
1		(2)	
1101F1		COVER, CRANKCASE .....	0.2
3	1101F9	PACKING, CRANKCASE COVER(A) ..	0.2
7	1161C4	GOVERNOR ASSEMBLY .....	0.3
9		(8,10)	
1161A7		HOLDER, GOVERNOR WEIGHT .....	0.4
11		(12)	
1161B6		SLIDER, GOVERNOR .....	0.3
14	1101E5	OIL SEAL, CRANKSHAFT :REAR ...	0.3
17	1101A3	BEARING, BALANCER WEIGHT .....	0.4
18	1101A6	BEARING, CRANKSHAFT :REAR .....	0.4

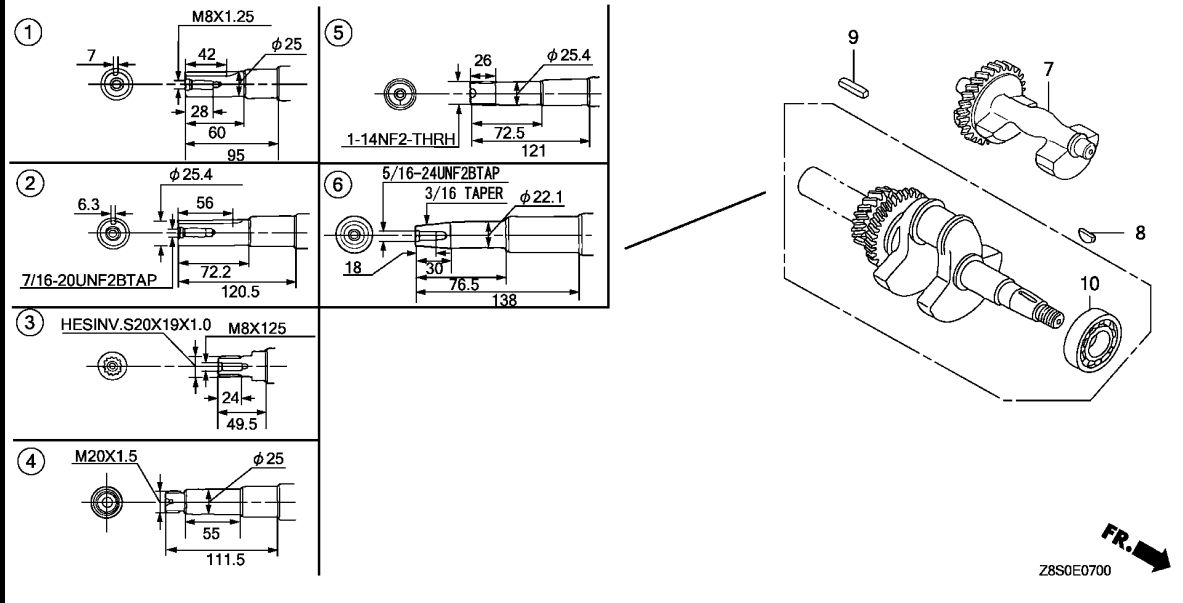
Ref. No.	Part No.	Description	Reqd. QTY				Serial No.	Parts catalogue code
			GX 240 UT1	GX 240 RT1	GX 240 UT2	GX 240 RT2		
1	11300-Z5K-800	COVER ASSY., CRANKCASE .....	-	-	-	1		
2	11300-Z5K-W10	COVER ASSY., CRANKCASE .....	-	-	1	-	----- QZX4	
3	11381-Z5K-000	PACKING, CASE COVER .....	-	-	-	1		
4	15600-Z0T-820	CAP ASSY., OIL FILLER .....	-	-	1	1	----- QZX4,VMT2	
5	15600-Z1C-000	CAP ASSY., OIL FILLER .....	-	-	1	1	----- QZX4,VMT2	
6	15625-Z0T-800	PACKING, OIL FILLER CAP .....	-	-	2	2	----- QZX4,VMT2	
7	16510-ZE3-000	GOVERNOR ASSY. ....	-	-	-	1		
8	16511-ZE8-000	WEIGHT, GOVERNOR .....	-	-	-	3		
9	16512-ZE3-000	HOLDER, GOVERNOR WEIGHT .....	-	-	-	1		
10	16513-ZE2-000	PIN, GOVERNOR WEIGHT .....	-	-	-	3		
11	16531-Z0A-000	SLIDER, GOVERNOR .....	-	-	-	1		
12	90602-ZE1-000	CLIP, GOVERNOR HOLDER .....	-	-	-	1		
13	90701-HC4-000	DOWEL PIN, 8X12 .....	-	-	2	2	----- QZX4,VMT2	
14	91201-Z1D-003	OIL SEAL, 30X46X8 .....	-	-	1	1	----- QZX4,VMT2	
15	94101-06800	WASHER, PLAIN, 6MM .....	-	-	-	1		
16	95701-08035-00	BOLT, FLANGE, 8X35 .....	-	-	7	7	----- QZX4,VMT2	
17	96100-62020-00	BEARING, RADIAL BALL, 6202 ..	-	-	-	1		
18	96100-62060-00	BEARING, RADIAL BALL, 6206 ..	-	-	1	1	----- QZX4,VMT2	





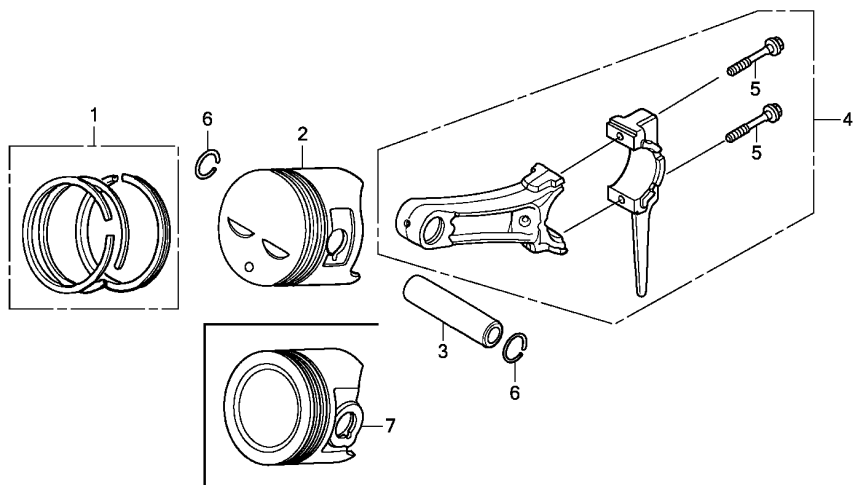
Ref. No.	L.O.N.	(Relative ref. Number) Description	F.R.T.
1		(2,3,4,5,6)	
1101F0		CRANKSHAFT .....	1.1
1101FOH		.iGX type add .....	0.2
7		1101D8 WEIGHT, BALANCER .....	0.3
10		1101A4 BEARING, CRANKSHAFT :FRONT ...	1.3
		1101A4C .iGX type add .....	0.2

Ref. No.	Part No.	Description	Reqd. QTY				Serial No.	Parts catalogue code
			GX 240 UT1	GX 240 RT1	GX 240 UT2	GX 240 RT2		
1	13320-ZE2-020	CRANKSHAFT COMP. ....	1	-	-	-	RA2	
	13310-ZE2-020	.....	1	-	-	-	RHQ4, SXE4, SXQ4, SXU	
	13310-ZH9-801	.....	-	-	1	-	RA2	
	13310-ZH9-010	.....	-	-	1	-	SXE4, SXQ4	
2	13320-ZE2-602	CRANKSHAFT COMP. ....	1	-	-	-	QA2, QAE2, QAG2, QAR2	
	13310-ZE2-602	.....	1	-	-	-	QHB2, QHB4, QHQ4, QXC9, QXE4, QXQ4, QXU	
	13310-ZK2-601	.....	1	-	-	-	QXB7, QXB9	
	13310-ZH9-811	.....	-	-	1	-	QA2, QAE2, QAG2, QAR2, QZA2, QZAV	
	13310-ZH9-601	.....	-	-	1	-	QHB2, QHB4, QHQ4, QXE4, QXQ4, QXU	
	13310-ZK9-601	.....	-	-	1	-	QXB7, QXB9	
	13310-Z5K-W10	.....	-	-	1	-	QZX4	
3	13320-ZE2-612	CRANKSHAFT COMP. ....	1	-	-	-	HA2	
	13310-ZE2-612	.....	1	-	-	-	LHE4, LX2, LXQ4	
	13310-ZH9-821	.....	-	-	1	-	HA2	
	13310-ZH9-611	.....	-	-	1	-	LX2, LXQ4	
4	13310-ZE2-632	CRANKSHAFT COMP. ....	1	-	-	-	WKT2	
	13310-ZH9-631	.....	-	-	1	-	WKT2	
5	13320-ZE2-652	CRANKSHAFT COMP. ....	1	-	-	-	PA2	
	13310-ZH9-831	.....	-	-	1	-	PA2	
6	13310-ZK2-671	CRANKSHAFT COMP. ....	1	-	-	-	VXB7, VXB9	
	13310-ZE2-672	.....	1	-	-	-	VXQ4	
	13320-ZE2-672	.....	-	1	-	-		
	13310-ZK9-671	.....	-	-	1	-	VXB7, VXB9	
	13310-ZH9-841	.....	-	-	1	-		
7	13351-ZE2-010	WEIGHT, BALANCER .....	1	1	1	1	HA2, PA2, QA2, QAE2, QAG2, QAR2, QZA2, QZAV, RA2, VMT2, VTA2	
8	90741-ZE2-000	KEY, SPECIAL WOODRUFF, 25X18	1	1	-	1		
			-	-	1	-	HA2, LX2, LXQ4, PA2, QA2, QAE2, QHB2, QHB4, QHQ4, QXB7, QXB9, QXE4, QXQ4, QXU, QZA2, QZX4, RA2, SXE4, SXQ4, VXB7, VXB9, WKT2	



Ref. No.	Part No.	Description	Reqd. QTY				Serial No.	Parts catalogue code
			GX 240	GX 240	GX 240	GX 240		
			UT1	RT1	UT2	RT2		
9	90745-ZE2-600	KEY, 6.3X6.3X43 .....	1	-	1	-	-----	QA2,QAE2,QAG2,QAR2,QHB2,QHQ4,QXB7,QXB9,QXC9,QXE4,QXQ4,QXU,QZA2
	90741-805-000	KEY, 7X7X33 .....	1	-	1	-	-----	QZAV,QZX4
	90741-889-810	KEY, 7X7X33(YELLOW)(O/S) .....	(1)	-	(1)	-	-----	SXE4,SXQ4,SXU
10	96100-62060-00	BEARING, RADIAL BALL, 6206 ..	1	1	-	-		SXE4,SXQ4,SXU
	91001-ZH9-003	BEARING, RADIAL BALL(6206 SH)	-	-	1	1		

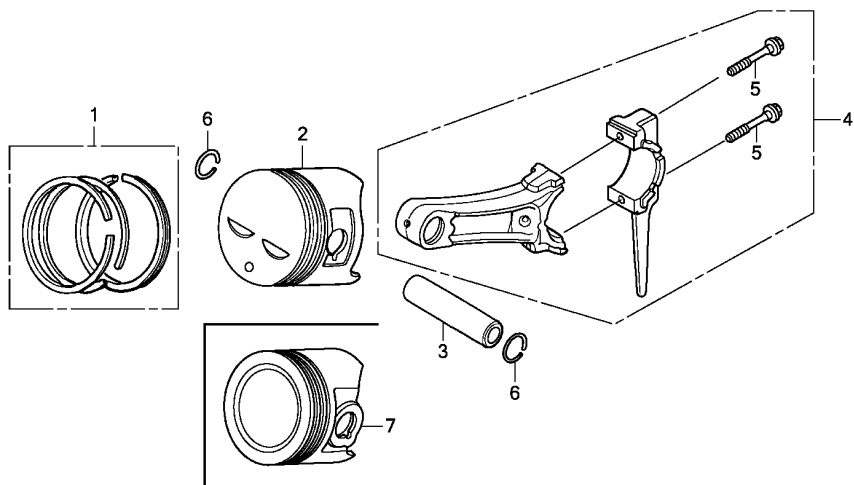




FR. Z8S0E0800A

Ref. No.	L.O.N.	(Relative ref. Number) Description	F.R.T.
2		(1,3,4,7)	
1111R1		PISTON AND/OR RING SET AND/OR BEARING AND/OR ROD .....	1.2
1111R1L		.iGX type add .....	0.2

Ref. No.	Part No.	Description	Reqd. QTY				Serial No.	Parts catalogue code
			GX 240 UT1	GX 240 RT1	GX 240 UT2	GX 240 RT2		
1	13010-Z5F-004	RING SET, PISTON(STD.)						
		(TEIKOKU)	1	1	-	-		
	13011-Z5F-004	RING SET, PISTON(0.25)						
		(TEIKOKU)	(1)	(1)	-	-		
	13012-Z5F-004	RING SET, PISTON(0.50)						
		(TEIKOKU)	(1)	(1)	-	-		
	13013-Z5F-004	RING SET, PISTON(0.75)						
		(TEIKOKU)	(1)	(1)	-	-		
	13010-Z5K-004	RING SET, PISTON(STD.)						
		(TEIKOKU)	-	-	1	1		
	13011-Z5K-004	RING SET, PISTON(0.25)						
		(TEIKOKU)	-	-	(1)	(1)		
	13012-Z5K-004	RING SET, PISTON(0.50)						
		(TEIKOKU)	-	-	(1)	(1)		
	13013-Z5K-004	RING SET, PISTON(0.75)						
		(TEIKOKU)	-	-	(1)	(1)		
2	13101-ZE2-W01	PISTON(STD.) .....	1	1	-	-		
	13102-ZE2-W01	PISTON(0.25) .....	(1)	(1)	-	-		
	13103-ZE2-W01	PISTON(0.50) .....	(1)	(1)	-	-		
	13104-ZE2-W01	PISTON(0.75) .....	(1)	(1)	-	-		
3	13111-ZE2-000	PIN, PISTON .....	1	1	-	-		
	13111-Z5K-000	.....	-	-	1	1		
4	13200-Z1D-000	ROD ASSY., CONNECTING(STD.) -	1	1	1	1		
	13200-ZE2-305	ROD ASSY., CONNECTING (0.25 UNDER SIZE)	(1)	(1)	-	-		
	13200-Z1D-305	.....	-	-	(1)	(1)		
5	90001-ZE8-000	BOLT, CONNECTING ROD .....	2	2	2	2		
6	90551-ZE1-000	CLIP, PISTON PIN, 18MM .....	2	2	2	2		

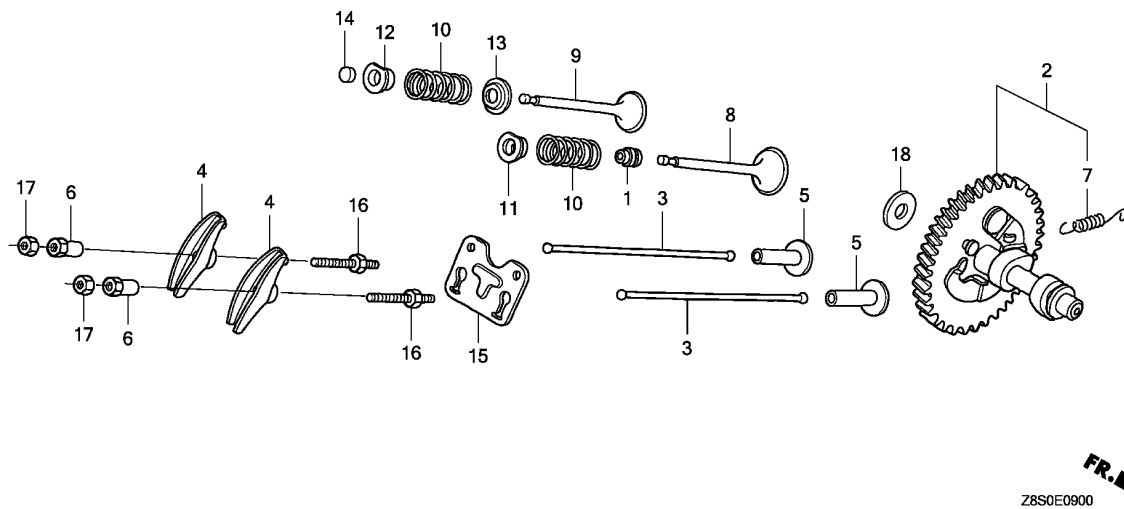


FR. ZBS0E0800A

Ref. No.	Part No.	Description	Reqd. QTY				Serial No.	Parts catalogue code
			GX 240 UT1	GX 240 RT1	GX 240 UT2	GX 240 RT2		
7	13101-Z5K-000	PISTON(STD.)	-	-	1	1		
	13102-Z5K-000	PISTON(0.25)	-	-	(1)	(1)		
	13103-Z5K-000	PISTON(0.50)	-	-	(1)	(1)		
	13104-Z5K-000	PISTON(0.75)	-	-	(1)	(1)		



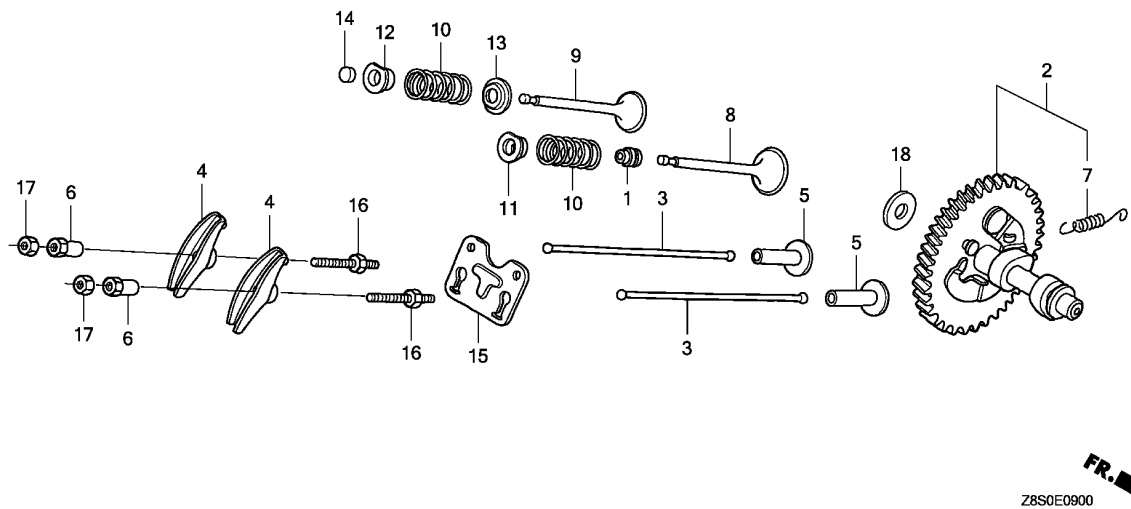




Ref. No.	L.O.N.	(Relative ref. Number) Description	F.R.T.
1	1111K2	SEAL, INTAKE VALVE STEM ..... .INCLUDES: Valve clearance adjustment	0.6
	1111K2J	.iGX type add .....	0.2
2	1111C2	CAMSHAFT ..... .INCLUDES: Valve clearance adjustment	0.4
3	1111L6	ROD, PUSH :INTAKE ..... .INCLUDES: Valve clearance adjustment	0.2
	1111L6A	.Replace exhaust push rod add .....	0.1
	1111L7	ROD, PUSH :EXHAUST ..... .INCLUDES: Valve clearance adjustment	0.2
	1111L7A	.Replace intake push rod add .....	0.1
4	1111A2	ARM, ROCKER :INTAKE ..... .INCLUDES: Valve clearance adjustment	0.2
	1111A2A	.Replace exhaust rocker arm add .....	0.1
	1111A1	ARM, ROCKER :EXHAUST ..... .INCLUDES: Valve clearance adjustment	0.2
	1111A1A	.Replace intake rocker arm add .....	0.1
+ 5	1111L9	LIFTER, VALVE :INTAKE .....	0.4

FR. →  
Z8S0E0900

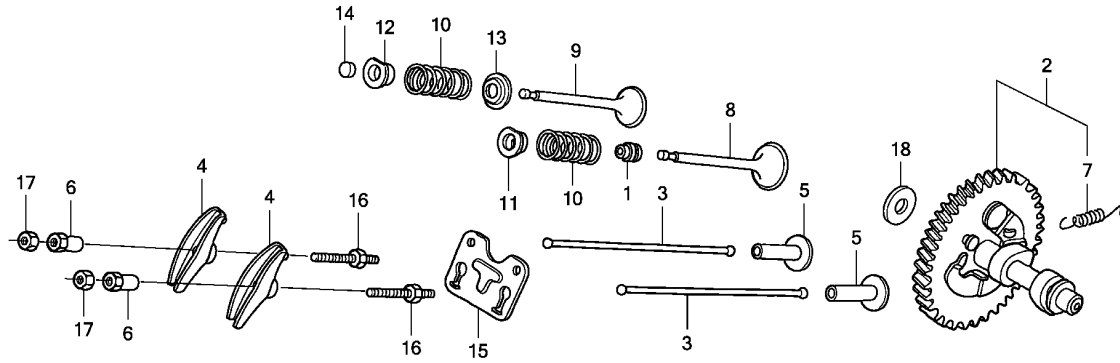
Ref. No.	Part No.	Description	Reqd. QTY				Serial No.	Parts catalogue code
			GX 240 UT1	GX 240 RT1	GX 240 UT2	GX 240 RT2		
1	12209-ZE8-003	SEAL, VALVE STEM .....	1	1	1	1		
2	14100-ZE2-W01	CAMSHAFT ASSY. ....	1	1	-	-	HA2,LHE4,LX2,LXQ4,PA2,QA2,QAE2,QAG2,QAR2,QHB2,QHB4,QHQ4,QXC9,QXE4,QXQ4,QXU,RA2,RHQ4,SXE4,SXQ4,SXU,VMT2,VTA2,VXQ4,WKT2	
	14100-ZK2-870	.....	1	-	-	-	QXB7,VXB7	
	14100-ZK2-880	.....	1	-	-	-	QXB9,VXB9	
	14100-Z5K-810	.....	-	-	1	1	HA2,LX2,LXQ4,PA2,QA2,QAE2,QAG2,QAR2,QHB2,QHB4,QHQ4,QXE4,QXQ4,QXU,QZA2,QZAV,QZX4,RA2,SXE4,SXQ4,VMT2,WKT2	
	14100-Z5K-820	.....	-	-	1	-	QXB7,QXB9,VXB7,VXB9	
3	14410-Z1D-000	ROD, PUSH .....	2	2	2	2		
4	14431-ZE2-010	ARM, VALVE ROCKER .....	2	2	2	2		
5	14441-ZE2-000	LIFTER, VALVE .....	2	2	2	2		
6	14451-ZE1-013	PIVOT, ROCKER ARM .....	2	2	2	2		
7	14568-ZE1-000	SPRING, WEIGHT RETURN .....	1	1	1	1		
8	14711-ZE2-000	VALVE, IN. ....	1	1	-	-		
	14711-Z5K-000	.....	-	-	1	1		
9	14721-ZE2-000	VALVE, EX. ....	1	1	-	-		
	14721-Z5K-000	.....	-	-	1	1		
10	14751-Z1C-000	SPRING, VALVE .....	2	2	2	2		
11	14771-Z8S-000	RETAINER, IN. VALVE SPRING ..	1	1	1	1		
12	14773-Z8S-000	RETAINER, EX. VALVE SPRING ..	1	1	-	-		
	14771-Z8S-000	RETAINER, IN. VALVE SPRING .. (EXHAUST SIDE)	-	-	1	1		
13	14775-ZE2-010	SEAT, VALVE SPRING .....	1	1	1	1		
14	14781-ZE2-000	ROTATOR, VALVE .....	1	1	-	-		
15	14791-ZE2-010	GUIDE, PUSH ROD .....	1	1	-	-		
	14791-Z1D-000	.....	-	-	1	1		



Ref. No.	L.O.N.	(Relative ref. Number) Description	F.R.T.
+ 5		.INCLUDES: Valve clearance adjustment .NOTE: Same time for two units	
1111M0		LIFTER, VALVE :EXHAUST .....	0.4
8	1111L1	VALVE, INTAKE .....	0.7
		.INCLUDES: Valve clearance adjustment and reface	
	1111L1E	.Replace intake and exhaust all add .....	0.2
	1111L1H	.iGX type add .....	0.2
9	1111L0	VALVE, EXHAUST .....	0.7
		.INCLUDES: Valve clearance adjustment and reface	
	1111L0E	.Replace intake and exhaust all add .....	0.2
	1111L0H	.iGX type add .....	0.2
10	1111P3	SPRING, VALVE :INTAKE .....	0.6
		.INCLUDES: Valve clearance adjustment	
	1111P3A	.Replace intake and exhaust all add .....	0.1
+	1111P3F	.iGX type add .....	0.2

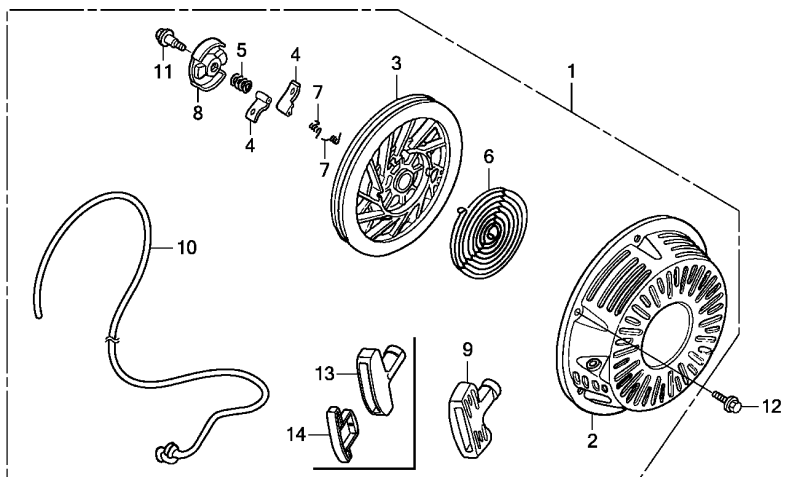
Ref. No.	Part No.	Description	Reqd. QTY				Serial No.	Parts catalogue code
			GX 240 UT1	GX 240 RT1	GX 240 UT2	GX 240 RT2		
16	90012-ZE0-010	BOLT, PIVOT, 8MM .....	2	2	2	2		
17	90206-ZE1-000	NUT, PIVOT ADJUSTING .....	2	2	2	2		
18	90413-ZK6-880	WASHER, THRUST, 16.1MM .....	1	-	-	-	----- QXB9,VXB9	
			-	-	1	-	----- QXB7,QXB9,VXB7,VXB9	





FR. →  
Z8S0E0900

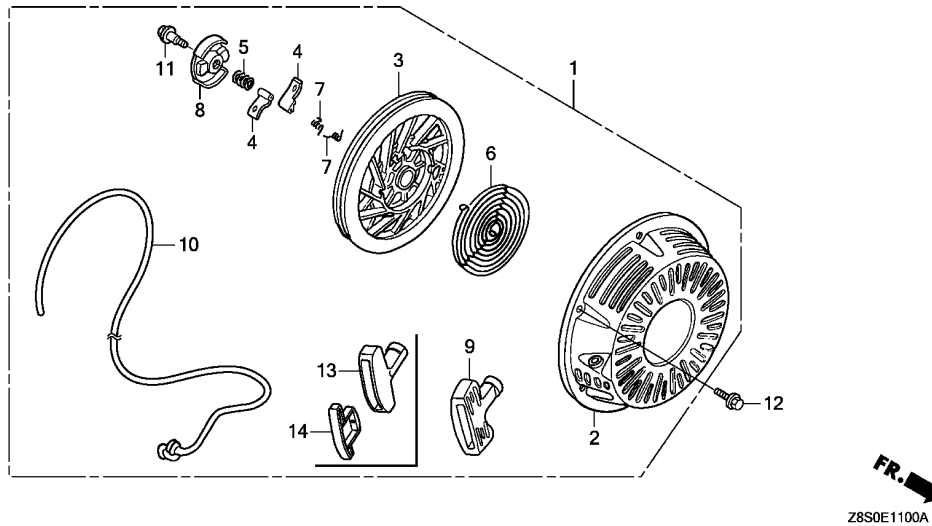
Ref. No.	L.O.N.	(Relative ref. Number) Description	F.R.T.
+10	1111P4	SPRING, VALVE :EXHAUST ..... .INCLUDES: Valve clearance adjustment	0.6
	1111P4A	.Replace intake and exhaust all add .....	0.1
	1111P4F	.iGX type add .....	0.2
14	1111J7	ROTATOR, VALVE ..... .INCLUDES: Valve clearance adjustment	0.2



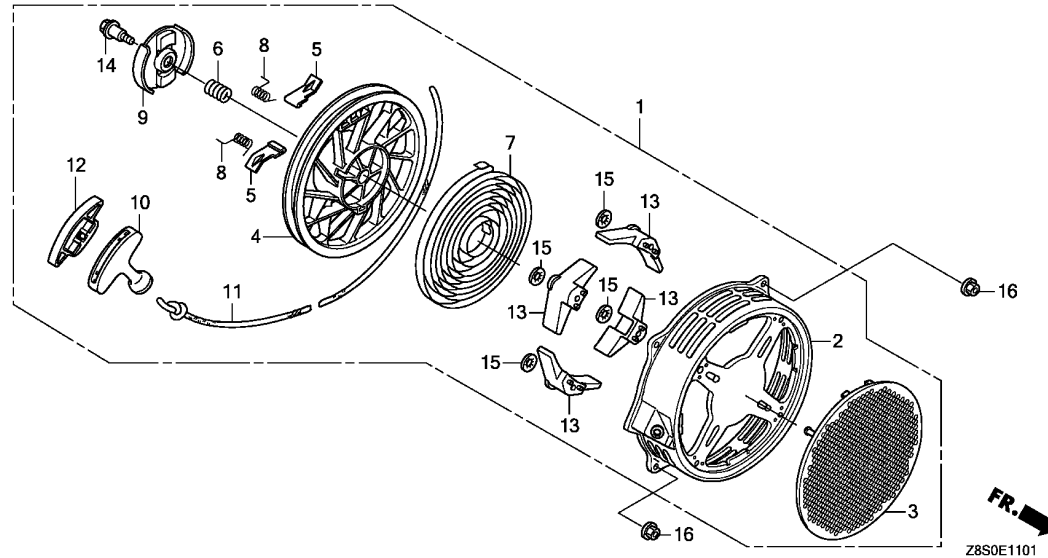
Ref. No.	L.O.N.	(Relative ref. Number) Description	F.R.T.
1	1121B9	STARTER, RECOIL .....	0.1
3	1121B1	REEL, RECOIL STARTER .....	0.3
4	1121B0	RATCHET, STARTER AND/OR SPRING, RATCHET .....	0.2
6	1121B7	SPRING, RECOIL STARTER RETURN (5) .....	0.3
8	1121B2	RETAINER, SPRING .....	0.2
10	1121B3	ROPE, RECOIL STARTER .....	0.3

Ref. No.	Part No.	Description	Reqd. QTY				Serial No.	Parts catalogue code
			GX 240 UT1	GX 240 RT1	GX 240 UT2	GX 240 RT2		
1	28400-ZE2-W01ZN	STARTER ASSY., RECOIL *R280*.....POWER RED	1	1	-	-	HA2,LHE4,LX2,LXQ4,PA2,QA2,QAE2,QAG2,QAR2,QHB2,QHB4,QHQ4,QXB7,QXB9,QXC9,QXE4,QXQ4,QXU,RA2,RHQ4,SXE4, SXQ4, SXU,VTA2,VXB7,VXB9,VXQ4,WKT2	
	28400-ZE2-W01ZB	*NH1*.....BLACK	1	1	-	-	HA2,LX2,PA2,QA2,QAE2,QAR2,QXC9,RA2, SXU,VTA2,VXB7,VXB9,VXQ4,WKT2	
	28400-ZE2-W01ZG	*NH105*...MAT BLACK (#15-#20)	1	1	-	-	VMT2,VXB7,VXB9	
	28400-Z5K-003ZB	*NH1*.....BLACK	-	-	1	1	HA2,LX2,PA2,QA2,QAE2,QAR2,RA2,VMT2,VXB7,VXB9,WKT2	
	28400-Z5K-003ZA	*R280*.....POWER RED	-	-	1	-	HA2,LX2,LXQ4,PA2,QA2,QAE2,QAG2,QAR2,QHB2,QHB4,QHQ4,QXB7,QXB9,QXE4,QXQ4,QXU,RA2,SXE4, SXQ4, VXB7,VXB9,WKT2	
2	28410-ZE2-W01ZN	CASE COMP., RECOIL STARTER *R280*.....POWER RED	1	1	1	-	HA2,LHE4,LX2,LXQ4,PA2,QA2,QAE2,QAG2,QAR2,QHB2,QHB4,QHQ4,QXB7,QXB9,QXC9,QXE4,QXQ4,QXU,RA2,RHQ4,SXE4, SXQ4, SXU,VTA2,VXB7,VXB9,VXQ4,WKT2	
	28410-ZE2-W01ZB	*NH1*.....BLACK	1	1	1	-	HA2,LX2,PA2,QA2,QAE2,QAR2,QXC9,RA2, SXU,VTA2,VXB7,VXB9,VXQ4,WKT2	
	28410-ZE2-W01ZG	*NH105*...MAT BLACK (#15-#20)	1	1	-	-	VMT2,VXB7,VXB9	
	28410-ZE2-W01ZB	*NH1*.....BLACK	-	-	-	1		
3	28421-ZE2-W01	PULLEY, RECOIL STARTER .....	1	1	1	1	HA2,LHE4,LX2,LXQ4,PA2,QA2,QAE2,QAG2,QAR2,QHB2,QHB4,QHQ4,QXB7,QXB9,QXC9,QXE4,QXQ4,QXU,RA2,RHQ4,SXE4, SXQ4, SXU,VMT2,VTA2,VXB7,VXB9,VXQ4,WKT2	
4	28422-ZE2-W01	RATCHET, STARTER .....	2	2	2	2	HA2,LHE4,LX2,LXQ4,PA2,QA2,QAE2,QAG2,QAR2,QHB2,QHB4,QHQ4,QXB7,QXB9,QXC9,QXE4,QXQ4,QXU,RA2,RHQ4,SXE4, SXQ4, SXU,VMT2,VTA2,VXB7,VXB9,VXQ4,WKT2	
5	28441-ZE2-W01	SPRING, FRICTION .....	1	1	1	1	HA2,LHE4,LX2,LXQ4,PA2,QA2,QAE2,QAG2,QAR2,QHB2,QHB4,QHQ4,QXB7,QXB9,QXC9,QXE4,QXQ4,QXU,RA2,RHQ4,SXE4, SXQ4, SXU,VMT2,VTA2,VXB7,VXB9,VXQ4,WKT2	





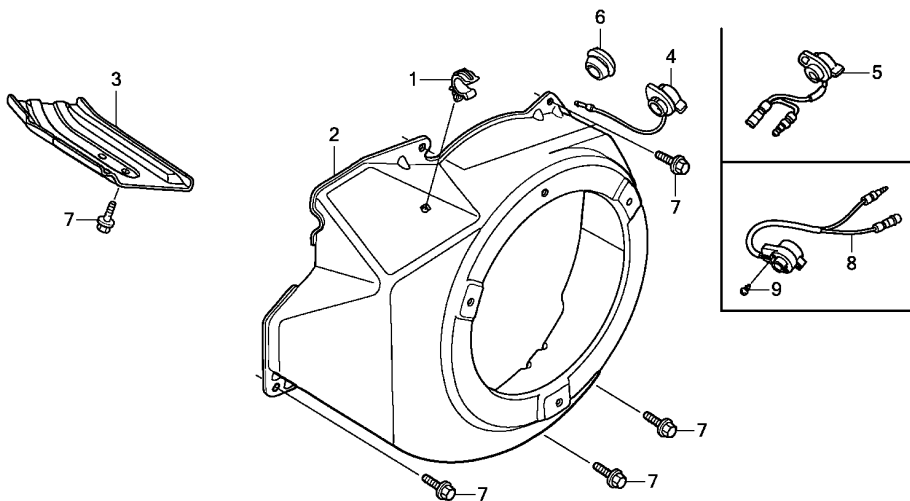
Ref. No.	Part No.	Description	Reqd. QTY				Serial No.	Parts catalogue code
			GX 240 UT1	GX 240 RT1	GX 240 UT2	GX 240 RT2		
6	28442-ZE2-W01	SPRING, STARTER RETURN .....	1	1	1	1	-----	HA2,LHE4,LX2,LXQ4,PA2,QA2,QAE2,QAG2,QAR2,QHB2,QHB4,QHQ4,QXB7,QXB9,QXC9,QXE4,QXQ4,QXU,RA2,RHQ4,SXE4, SXQ4, SXU,VMT2,VTA2,VXB7,VXB9,VXQ4,WKT2
7	28443-ZE2-W01	SPRING, RATCHET .....	2	2	2	2	-----	HA2,LHE4,LX2,LXQ4,PA2,QA2,QAE2,QAG2,QAR2,QHB2,QHB4,QHQ4,QXB7,QXB9,QXC9,QXE4,QXQ4,QXU,RA2,RHQ4,SXE4, SXQ4, SXU,VMT2,VTA2,VXB7,VXB9,VXQ4,WKT2
8	28444-ZE2-W01	RETAINER, SPRING .....	1	1	1	1	-----	HA2,LHE4,LX2,LXQ4,PA2,QA2,QAE2,QAG2,QAR2,QHB2,QHB4,QHQ4,QXB7,QXB9,QXC9,QXE4,QXQ4,QXU,RA2,RHQ4,SXE4, SXQ4, SXU,VMT2,VTA2,VXB7,VXB9,VXQ4,WKT2
9	28461-ZE2-W02	GRIP, STARTER .....	1	1	-	-	-----	
10	28462-ZE2-W11	ROPE, RECOIL STARTER .....	1	1	1	1	-----	HA2,LHE4,LX2,LXQ4,PA2,QA2,QAE2,QAG2,QAR2,QHB2,QHB4,QHQ4,QXB7,QXB9,QXC9,QXE4,QXQ4,QXU,RA2,RHQ4,SXE4, SXQ4, SXU,VMT2,VTA2,VXB7,VXB9,VXQ4,WKT2
11	90004-ZE2-W01	SCREW, CENTER .....	1	1	1	1	-----	HA2,LHE4,LX2,LXQ4,PA2,QA2,QAE2,QAG2,QAR2,QHB2,QHB4,QHQ4,QXB7,QXB9,QXC9,QXE4,QXQ4,QXU,RA2,RHQ4,SXE4, SXQ4, SXU,VMT2,VTA2,VXB7,VXB9,VXQ4,WKT2
12	90008-ZE2-003	BOLT, FLANGE, 6X10 .....	3	3	3	3	-----	HA2,LHE4,LX2,LXQ4,PA2,QA2,QAE2,QAG2,QAR2,QHB2,QHB4,QHQ4,QXB7,QXB9,QXC9,QXE4,QXQ4,QXU,RA2,RHQ4,SXE4, SXQ4, SXU,VMT2,VTA2,VXB7,VXB9,VXQ4,WKT2
13	28461-Z5T-003	GRIP, STARTER .....	-	-	1	1	-----	HA2,LX2,LXQ4,PA2,QA2,QAE2,QAG2,QAR2,QHB2,QHB4,QHQ4,QXB7,QXB9,QXE4,QXQ4,QXU,RA2,SXE4, SXQ4, VMT2,VXB7,VXB9,WKT2
14	28463-Z5T-003	GRIP, REINFORCEMENT .....	-	-	1	1	-----	HA2,LX2,LXQ4,PA2,QA2,QAE2,QAG2,QAR2,QHB2,QHB4,QHQ4,QXB7,QXB9,QXE4,QXQ4,QXU,RA2,SXE4, SXQ4, VMT2,VXB7,VXB9,WKT2



Ref. No.	L.O.N.	(Relative ref. Number) Description	F.R.T.
1	1121B9	STARTER, RECOIL .....	0.1
3	1121D2	COVER, RECOIL STARTER .....	0.4
4	1121B1	REEL, RECOIL STARTER .....	0.3
5		(8)	
	1121B0	RATCHET, STARTER AND/OR SPRING, RATCHET .....	0.2
		.NOTE: Same time for two units	
7	1121B7	SPRING, RECOIL STARTER RETURN (6)	0.3
9		(6)	
	1121A4	GUIDE, RATCHET .....	0.2
11	1121B3	ROPE, RECOIL STARTER .....	0.3

Ref. No.	Part No.	Description	Reqd. QTY				Serial No.	Parts catalogue code
			GX 240 UT1	GX 240 RT1	GX 240 UT2	GX 240 RT2		
1	28400-Z5T-W01ZA	STARTER ASSY., RECOIL	-	-	1	-	----- QZA2,QZAV	
		*NH1*.....BLACK	-	-	1	-	----- QZA2,QZAV,QZX4	
		*R280*.....POWER RED	-	-	1	-	----- QZA2,QZAV,QZX4	
2	28410-Z5T-W01	CASE COMP., RECOIL STARTER ..	-	-	1	-	----- QZA2	
		*NH1*.....BLACK	-	-	1	-	----- QZAV	
		*R280*.....POWER RED	-	-	1	-	----- QZAV,QZX4	
3	28411-Z5T-W01	COVER, RECOIL STARTER .....	-	-	1	-	----- QZA2,QZAV,QZX4	
4	28421-Z5T-W01	PULLEY, RECOIL STARTER .....	-	-	1	-	----- QZA2,QZAV,QZX4	
5	28422-ZE2-W01	RATCHET, STARTER .....	-	-	2	-	----- QZA2,QZAV,QZX4	
6	28441-ZE2-W01	SPRING, FRICTION .....	-	-	1	-	----- QZA2,QZAV,QZX4	
7	28442-ZE2-W01	SPRING, STARTER RETURN .....	-	-	1	-	----- QZA2,QZAV,QZX4	
8	28443-ZE2-W01	SPRING, RATCHET .....	-	-	2	-	----- QZA2,QZAV,QZX4	
9	28444-ZE2-W01	RETAINER, SPRING .....	-	-	1	-	----- QZA2,QZAV,QZX4	
10	28461-Z5T-003	GRIP, STARTER .....	-	-	1	-	----- QZA2,QZAV,QZX4	
11	28462-ZE3-W01	ROPE, RECOIL STARTER .....	-	-	1	-	----- QZA2,QZAV,QZX4	
12	28463-Z5T-003	GRIP, REINFORCEMENT .....	-	-	1	-	----- QZA2,QZAV,QZX4	
13	28465-Z5T-W01	COVER, ROPE .....	-	-	4	-	----- QZA2,QZAV,QZX4	
14	90004-ZE2-W01	SCREW, CENTER .....	-	-	1	-	----- QZA2,QZAV,QZX4	
15	90201-Z5T-W01	NUT, PUSH .....	-	-	4	-	----- QZA2,QZAV,QZX4	
16	94050-06000	NUT, FLANGE, 6MM .....	-	-	4	-	----- QZA2,QZAV,QZX4	

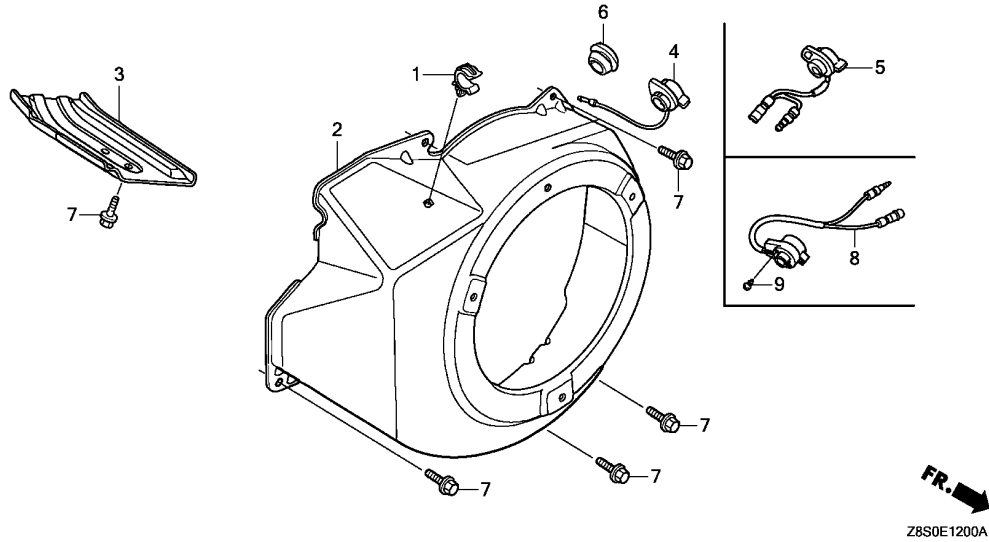




Ref. No.	L.O.N.	(Relative ref. Number) Description	F.R.T.
2	1141G8	COVER, ENGINE COOLING FAN (5,8)	0.2
4	6151D9	SWITCH, ENGINE STOP	0.2

FR. →  
ZBS0E1200A

Ref. No.	Part No.	Description	Reqd. QTY				Serial No.	Parts catalogue code
			GX 240 UT1	GX 240 RT1	GX 240 UT2	GX 240 RT2		
1	16731-ZE2-003	CLIP, TUBE	1	1	1	1	HA2,LHE4,LX2,LXQ4,PA2,QA2,QAE2,QAG2,QAR2,QHB2,QHB4,QHQ4,QXB7,QXB9,QXC9,QXE4,QXQ4,QXU,RA2,RHQ4,SXE4, SXQ4, SXU, VMT2, VTA2, VXB7, VXB9, VXQ4, WKT2	
2	19610-ZE2-010ZL	COVER COMP., FAN	1	1	-	-	HA2,LHE4,LX2,LXQ4,PA2,QA2,QAE2,QAG2,QAR2,QHB2,QHB4,QHQ4,QXB7,QXC9,QXE4,QXQ4,QXU,RA2,RHQ4,SXE4, SXQ4, SXU, VTA2, VXB7, VXQ4, WKT2	
	*R280*	POWER RED	1	1	-	-	HA2,LX2,PA2,QA2,QAE2,QAR2,QXC9,RA2,VTA2,VXB7,VXQ4,WKT2	
	19610-ZE2-010ZC	*NH1*	1	1	-	-	HA2,LX2,PA2,QA2,QAE2,QAR2,QXC9,RA2,VTA2,VXB7,VXQ4,WKT2	
	19610-ZE2-010ZF	*NH246*	1	1	-	-	HA2,LX2,PA2,QA2,QAE2,QAR2,QXC9,RA2,VTA2,VXB7,VXQ4,WKT2	
	19610-ZE2-010ZG	*NH105*	1	1	-	-	VMT2,VXB7	
	19610-ZK2-880ZA	*R280*	1	-	-	-	QXB9,VXB9	
	19610-ZK2-880ZA	*NH1*	1	-	-	-	VXB9	
	19610-ZK2-880ZC	*NH105*	1	-	-	-	VXB9	
	19610-Z5K-000ZA	*NH1*	-	-	1	1	HA2,LX2,PA2,QA2,QAE2,QAR2,RA2,VMT2,VXB7,WKT2	
	19610-Z5K-000ZC	*R280*	-	-	1	-	HA2,LX2,LXQ4,PA2,QA2,QAE2,QAG2,QAR2,QHB2,QHB4,QHQ4,QXB7,QXE4,QXQ4,QXU,RA2,SXE4, SXQ4, VXB7, WKT2	
	19610-Z5K-820ZB	*R280*	-	-	1	-	QXB9,VXB9	
3	19631-ZE2-D00	SHROUD	1	1	-	-	HA2,LX2,LXQ4,PA2,QA2,QAE2,QAG2,QAR2,QHB2,QHB4,QHQ4,QXB7,QXB9,QXE4,QXQ4,QXU,RA2,SXE4, SXQ4, VMT2, VXB7, VXB9, WKT2	
	19631-Z5K-000		1	-	1	1	HA2,LX2,LXQ4,PA2,QA2,QAE2,QAG2,QAR2,QHB2,QHB4,QHQ4,QXB7,QXB9,QXE4,QXQ4,QXU,RA2,SXE4, SXQ4, VMT2, VXB7, VXB9, WKT2	
4	35120-Z0D-V81	SWITCH ASSY., ENGINE STOP	1	-	-	-	QHB2,QHQ4,RHQ4	
5	36100-ZF6-P82	SWITCH ASSY., ENGINE STOP	1	1	-	-	HA2,LX2,LXQ4,PA2,QA2,QAG2,QXB7,QXB9,QXC9,QXQ4,QXU,RA2, SXQ4, SXU, VMT2, VTA2, VXB7, VXB9, VXQ4, WKT2	
6	81329-567-020	GROMMET, DRAIN HOLE	1	-	1	-	LHE4,QAE2,QAR2,QHB4,QXE4,SXE4	
7	90013-883-000	BOLT, FLANGE, 6X12(CT200)	6	6	6	6	HA2,LHE4,LX2,LXQ4,PA2,QA2,QAE2,QAG2,QAR2,QHB2,QHB4,QHQ4,QXB7,QXB9,QXC9,QXE4,QXQ4,QXU,RA2,RHQ4,SXE4, SXQ4, SXU, VMT2, VTA2, VXB7, VXB9, VXQ4, WKT2	
8	35120-Z5T-003	SWITCH ASSY., ENGINE STOP	-	-	1	1	HA2,LX2,LXQ4,PA2,QA2,QAG2,QHB2,QHQ4,QXB7,QXB9,QXQ4,QXU,RA2, SXQ4, VMT2, VXB7, VXB9, WKT2	



Ref. No.	Part No.	Description	Reqd. QTY				Serial No.	Parts catalogue code
			GX 240 UT1	GX 240 RT1	GX 240 UT2	GX 240 RT2		
9	90004-Z5T-000	SCREW, TAPPING, 3X6(P0)	.....	-	-	2	2	----- HA2,LX2,LXQ4,PA2,QAG2,QHB2,QHQ4,QXB7,QXB9,QXQ4,QXU,RA2,SXQ4
	90101-SP1-003	SCREW, TAPPING, 3X8(P0)	.....	-	-	2	-	----- VMT2,VXB7,VXB9,WKT2 QA2

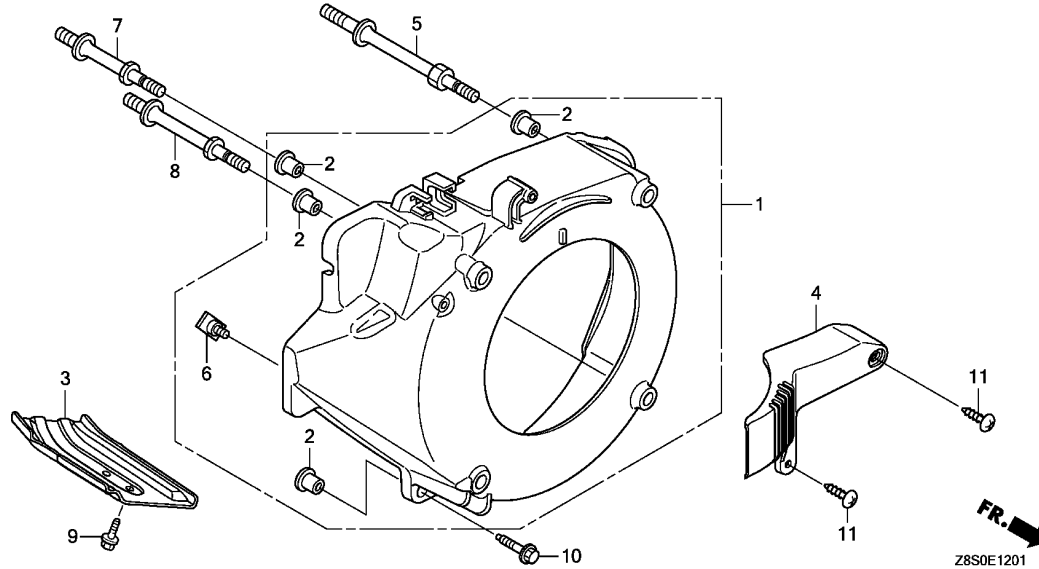




E-12-1

FAN COVER(2)

E 5

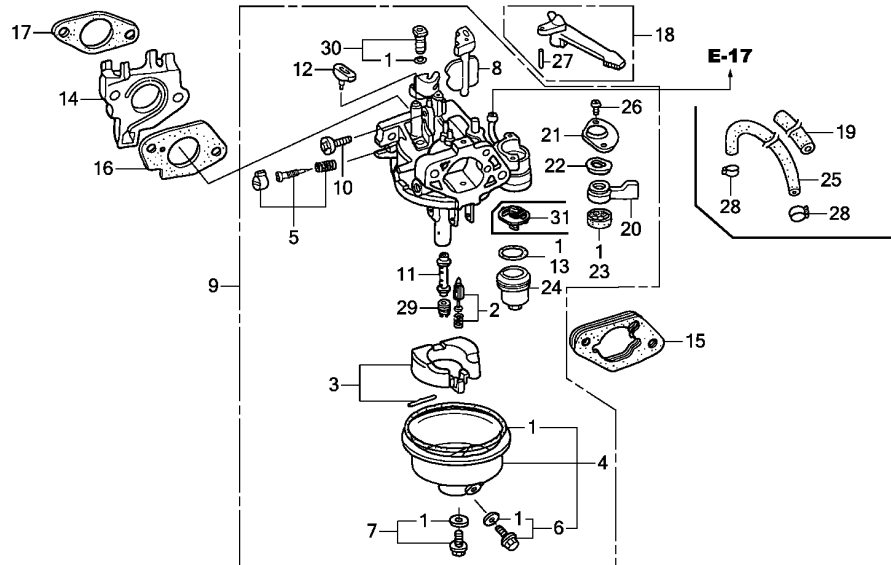


Ref. No.	L.O.N.	(Relative ref. Number) Description	F.R.T.
1	114169	COVER, ENGINE COOLING FAN(A)	0.3

Ref. No.	Part No.	Description	Reqd. QTY				Serial No.	Parts catalogue code
			GX 240	GX 240	GX 240	GX 240		
			UT1	RT1	UT2	RT2		
1	19610-Z5K-W00ZA	COVER COMP., FAN	-	-	1	-	----- QZA2,QZAV	
		*NH1*.....BLACK	-	-	1	-	----- QZA2,QZAV,QZX4	
	19610-Z5K-W00ZB	*R280*.....POWER RED	-	-	1	-	----- QZA2,QZAV,QZX4	
2	19619-ZL8-300	COLLAR, FAN COVER	-	-	4	-	----- QZA2,QZAV,QZX4	
3	19631-Z5K-000	SHROUD	-	-	1	-	----- QZA2,QZAV,QZX4	
4	30421-Z5K-W00	COVER, ELECTRONIC PARTS	-	-	1	-	----- QZA2,QZAV,QZX4	
5	90002-Z5K-W00	BOLT, STUD(SEL)	-	-	1	-	----- QZA2,QZAV,QZX4	
6	90003-Z2E-000	BOLT, SPECIAL, 6MM	-	-	1	-	----- QZA2,QZAV,QZX4	
7	90003-Z5T-W00	BOLT, STUD	-	-	1	-	----- QZA2,QZAV,QZX4	
8	90007-Z5T-W00	BOLT B, STUD	-	-	1	-	----- QZA2,QZAV,QZX4	
9	90013-883-000	BOLT, FLANGE, 6X12(CT200)	-	-	1	-	----- QZA2,QZAV,QZX4	
10	90121-952-000	BOLT, FLANGE, 6X25(CT200)	-	-	1	-	----- QZA2,QZAV,QZX4	
11	93913-25580	SCREW, TAPPING, 5X20	-	-	2	-	----- QZA2,QZAV,QZX4	

E-14

CARBURETOR(1)

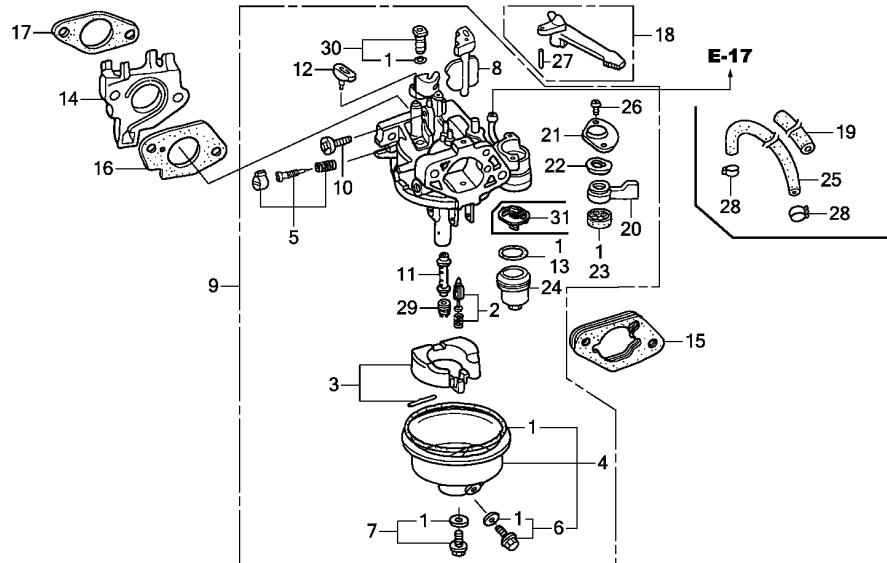


FR. →  
Z8S0E1400A

Ref. No.	L.O.N.	(Relative ref. Number) Description	F.R.T.
1	3111B1	GASKET SET, CARBURETOR (3)	0.3
2	3111E1	VALVE SET, FLOAT AND/OR FLOAT SET	0.3
5	3111D7	SCREW SET, PILOT	0.2
9	3111F3	CARBURETOR (24, 31)	0.2
13	3101L6	PACKING, FUEL STRAINER CUP (17)	0.2
14	3111C0	INSULATOR, CARBURETOR AND/OR PACKING, INSULATOR	0.2
15	3111D9	SPACER, CARBURETOR	0.2
16	3111C8	PACKING, CARBURETOR	0.2
18	8101F9	LEVER, CARBURETOR CHOKE (20, 21, 22)	0.2
23	3101C5	PACKING, FUEL COCK (11)	0.2
29	3111C3	JET, MAIN	0.3

Ref. No.	Part No.	Description	Reqd. QTY				Serial No.	Parts catalogue code
			GX 240 UT1	GX 240 RT1	GX 240 UT2	GX 240 RT2		
1	16010-ZE2-812	GASKET SET	1	1	1	-	HA2, LHE4, LX2, LXQ4, PA2, QA2, QAE2, QAG2, QAR2, QHB2, QHB4, QHQ4, QXB7, QXB9, QXC9, QXE4, QXQ4, QXU, RA2, RHQ4, SXE4, SXQ4, SXU, VTA2, VXB7, VXB9, VXQ4, WKT2	
2	16011-ZA0-931	VALVE SET, FLOAT	1	1	1	-	HA2, LHE4, LX2, LXQ4, PA2, QA2, QAE2, QAG2, QAR2, QHB2, QHB4, QHQ4, QXB7, QXB9, QXC9, QXE4, QXQ4, QXU, RA2, RHQ4, SXE4, SXQ4, SXU, VTA2, VXB7, VXB9, VXQ4, WKT2	
3	16013-Z1C-003	FLOAT SET	1	1	-	-	HA2, LHE4, LX2, LXQ4, PA2, QA2, QAE2, QAG2, QAR2, QHB2, QHB4, QHQ4, QXB7, QXB9, QXC9, QXE4, QXQ4, QXU, RA2, RHQ4, SXE4, SXQ4, SXU, VTA2, VXB7, VXB9, VXQ4, WKT2	
	16013-ZA0-931	(CARBURETOR NO.)	1	-	-	-	BE70A B QXC9	
	16013-Z1C-003	(CARBURETOR NO.)	1	-	-	-	BE70P A QXC9	
	16013-ZA0-931		-	-	1	-	HA2, LX2, LXQ4, PA2, QA2, QAE2, QAG2, QAR2, QHB2, QHB4, QHQ4, QXB7, QXB9, QXE4, QXQ4, QXU, RA2, SXE4, SXQ4, VXB7, VXB9, WKT2	
4	16015-ZE8-005	CHAMBER SET, FLOAT	1	1	-	-	HA2, LHE4, LX2, LXQ4, PA2, QA2, QAE2, QAG2, QAR2, QHB2, QHB4, QHQ4, QXB7, QXB9, QXC9, QXE4, QXQ4, QXU, RA2, RHQ4, SXE4, SXQ4, SXU, VTA2, VXB7, VXB9, VXQ4, WKT2	
	16015-Z5T-901		-	-	1	-	HA2, LX2, LXQ4, PA2, QA2, QAE2, QAG2, QAR2, QHB2, QHB4, QHQ4, QXB7, QXB9, QXE4, QXQ4, QXU, RA2, SXE4, SXQ4, VXB7, VXB9, WKT2	
5	16016-ZH7-W01	SCREW SET, PILOT	1	1	1	-	HA2, LHE4, LX2, LXQ4, PA2, QA2, QAE2, QAG2, QAR2, QHB2, QHB4, QHQ4, QXB7, QXB9, QXC9, QXE4, QXQ4, QXU, RA2, RHQ4, SXE4, SXQ4, SXU, VTA2, VXB7, VXB9, VXQ4, WKT2	
	16016-ZH8-W01	SCREW SET	1	-	-	-	QXC9	
6	16024-ZE1-811	SCREW SET, DRAIN	1	1	-	-	HA2, LHE4, LX2, LXQ4, PA2, QA2, QAE2, QAG2, QAR2, QHB2, QHB4, QHQ4, QXB7, QXB9, QXC9, QXE4, QXQ4, QXU, RA2, RHQ4, SXE4, SXQ4, SXU, VTA2, VXB7, VXB9, VXQ4, WKT2	



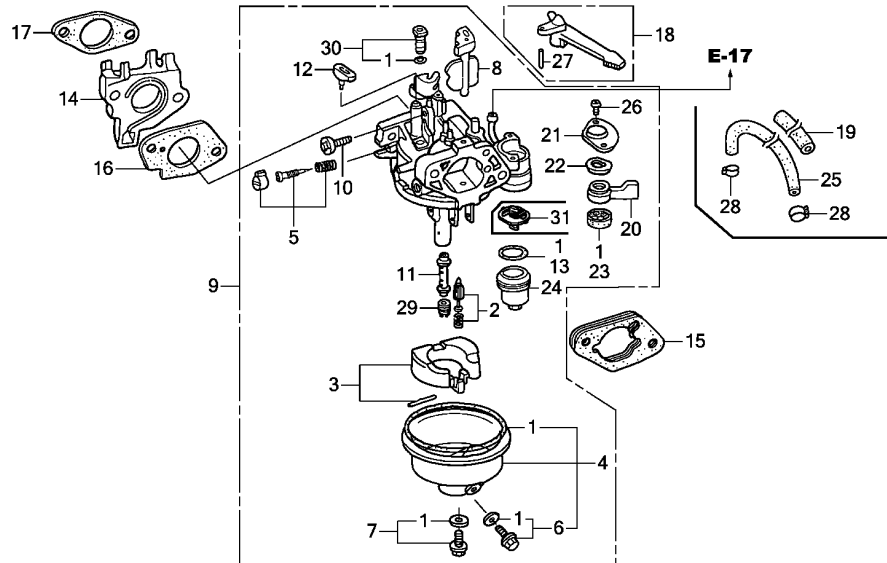


FR. →  
Z8S0E1400A

Ref. No.	Part No.	Description	Reqd. QTY				Serial No.	Parts catalogue code
			GX 240 UT1	GX 240 RT1	GX 240 UT2	GX 240 RT2		
(6)	16024-Z5T-901	SCREW SET, DRAIN .....	-	-	1	-	-----	HA2,LX2,LXQ4,PA2,QA2,QAE2,QAG2,QAR2,QHB2,QHB4,QHQ4,QXB7,QXB9,QXE4,QXQ4,QXU,RA2,SXE4,SXQ4,VXB7,VXB9,WKT2
7	16028-ZE0-005	SCREW SET .....	1	1	-	-	-----	HA2,LHE4,LX2,LXQ4,PA2,QA2,QAE2,QAG2,QAR2,QHB2,QHB4,QHQ4,QXB7,QXB9,QXC9,QXE4,QXQ4,QXU,RA2,RHQ4,SXE4,SXQ4,SXU,VTA2,VXB7,VXB9,VXQ4,WKT2
	16028-Z5T-901	.....	-	-	1	-	-----	HA2,LX2,LXQ4,PA2,QA2,QAE2,QAG2,QAR2,QHB2,QHB4,QHQ4,QXB7,QXB9,QXE4,QXQ4,QXU,RA2,SXE4,SXQ4,VXB7,VXB9,WKT2
8	16044-ZE2-005	CHOKE SET .....	1	1	1	-	-----	HA2,LHE4,LX2,LXQ4,PA2,QA2,QAE2,QAG2,QAR2,QHB2,QHB4,QHQ4,QXB7,QXB9,QXC9,QXE4,QXQ4,QXU,RA2,RHQ4,SXE4,SXQ4,SXU,VTA2,VXB7,VXB9,VXQ4,WKT2
9	16100-Z8S-811	CARBURETOR ASSY.(BE70N A) ...	1	1	-	-	-----	HA2,LHE4,LX2,LXQ4,PA2,QA2,QAE2,QAG2,QAR2,QHB2,QHB4,QHQ4,QXB7,QXB9,QXE4,QXQ4,QXU,RA2,RHQ4,SXE4,SXQ4,SXU,VTA2,VXB7,VXB9,VXQ4,WKT2
	16100-Z8S-801	CARBURETOR ASSY.(BE70P A) ...	1	-	-	-	-----	QXC9
	16100-ZE2-W51	CARBURETOR ASSY.(BE70A B) ...	1	-	-	-	-----	QXC9
	16100-Z8S-912	CARBURETOR ASSY.(BE70R A) ...	-	-	1	-	-----	HA2,LX2,LXQ4,PA2,QA2,QAE2,QAG2,QAR2,QHB2,QHB4,QHQ4,QXB7,QXB9,QXE4,QXQ4,QXU,RA2,SXE4,SXQ4,VXB7,VXB9,WKT2
10	16124-ZE0-005	SCREW, THROTTLE STOP .....	1	1	1	-	-----	HA2,LHE4,LX2,LXQ4,PA2,QA2,QAE2,QAG2,QAR2,QHB2,QHB4,QHQ4,QXB7,QXB9,QXC9,QXE4,QXQ4,QXU,RA2,RHQ4,SXE4,SXQ4,SXU,VTA2,VXB7,VXB9,VXQ4,WKT2
11	16166-ZE2-W70	NOZZLE, MAIN .....	1	1	-	-	-----	HA2,LHE4,LX2,LXQ4,PA2,QA2,QAE2,QAG2,QAR2,QHB2,QHB4,QHQ4,QXB7,QXB9,QXE4,QXQ4,QXU,RA2,RHQ4,SXE4,SXQ4,SXU,VTA2,VXB7,VXB9,VXQ4,WKT2
	16166-ZH9-W00	.....	1	-	-	-	-----	QXC9
	16166-Z8T-W01	.....	-	-	1	-	-----	HA2,LX2,LXQ4,PA2,QA2,QAE2,QAG2,QAR2,QHB2,QHB4,QHQ4,QXB7,QXB9,QXE4,QXQ4,QXU,RA2,SXE4,SXQ4,VXB7,VXB9,WKT2

Ref. No.	Part No.	Description	Reqd. QTY				Serial No.	Parts catalogue code
			GX 240 UT1	GX 240 RT1	GX 240 UT2	GX 240 RT2		
12	16172-ZE3-W10	COLLAR, SETTING .....	1	1	1	-	HA2,LHE4,LX2,LXQ4,PA2,QA2,QAE2,QAG2,QAR2,QHB2,QHB4,QHQ4,QXB7,QXB9,QXC9,QXE4,QXQ4,QXU,RA2,RHQ4,SXE4, SXQ4, SXU, VTA2, VXB7, VXB9, VXQ4, WKT2	
13	16173-001-004	PACKING, FUEL STRAINER CUP ..	1	1	1	-	HA2,LHE4,LX2,LXQ4,PA2,QA2,QAE2,QAG2,QAR2,QHB2,QHB4,QHQ4,QXB7,QXB9,QXC9,QXE4,QXQ4,QXU,RA2,RHQ4,SXE4, SXQ4, SXU, VTA2, VXB7, VXB9, VXQ4, WKT2	
14	16211-ZE2-000	INSULATOR, CARBURETOR .....	1	1	-	-	HA2,LHE4,LX2,LXQ4,PA2,QA2,QAE2,QAG2,QAR2,QHB2,QHB4,QHQ4,QXB7,QXB9,QXC9,QXE4,QXQ4,QXU,RA2,RHQ4,SXE4, SXQ4, SXU, VTA2, VXB7, VXB9, VXQ4, WKT2	
	16211-ZE2-010	.....	-	-	1	-	HA2,LX2,LXQ4,PA2,QA2,QAE2,QAG2,QAR2,QHB2,QHB4,QHQ4,QXB7,QXB9,QXE4,QXQ4,QXU,RA2,SXE4, SXQ4, VXB7, VXB9, WKT2	
15	16220-ZA0-702	SPACER COMP., CARBURETOR ....	1	1	1	-	HA2,LHE4,LX2,LXQ4,PA2,QA2,QAE2,QAG2,QAR2,QHB2,QHB4,QHQ4,QXB7,QXB9,QXC9,QXE4,QXQ4,QXU,RA2,RHQ4,SXE4, SXQ4, SXU, VTA2, VXB7, VXB9, VXQ4, WKT2	
16	16221-ZA0-800	PACKING, CARBURETOR .....	1	1	-	-	HA2,LHE4,LX2,LXQ4,PA2,QA2,QAE2,QAG2,QAR2,QHB2,QHB4,QHQ4,QXB7,QXB9,QXC9,QXE4,QXQ4,QXU,RA2,RHQ4,SXE4, SXQ4, SXU, VTA2, VXB7, VXB9, VXQ4, WKT2	
	16221-Z5K-000	.....	-	-	1	-	HA2,LX2,LXQ4,PA2,QA2,QAE2,QAG2,QAR2,QHB2,QHB4,QHQ4,QXB7,QXB9,QXE4,QXQ4,QXU,RA2,SXE4, SXQ4, VXB7, VXB9, WKT2	
17	16223-ZA0-800	PACKING, INSULATOR .....	1	1	-	-	HA2,LHE4,LX2,LXQ4,PA2,QA2,QAE2,QAG2,QAR2,QHB2,QHB4,QHQ4,QXB7,QXB9,QXC9,QXE4,QXQ4,QXU,RA2,RHQ4,SXE4, SXQ4, SXU, VTA2, VXB7, VXB9, VXQ4, WKT2	
	16212-Z5K-000	.....	-	-	1	-	HA2,LX2,LXQ4,PA2,QA2,QAE2,QAG2,QAR2,QHB2,QHB4,QHQ4,QXB7,QXB9,QXE4,QXQ4,QXU,RA2,SXE4, SXQ4, VXB7, VXB9, WKT2	
18	16610-ZE1-000	LEVER COMP., CHOKE(STD.) ....	1	1	1	-	HA2,LHE4,LX2,LXQ4,PA2,QA2,QAE2,QAG2,QAR2,QHB2,QHB4,QHQ4,QXB7,QXB9,QXC9,QXE4,QXQ4,QXU,RA2,RHQ4,SXE4, SXQ4, SXU, VTA2, VXB7, VXB9, VXQ4, WKT2	
19	16854-ZH8-000	RUBBER, SUPPORTER(107MM) ....	-	1	-	-	VTA2	
20	16953-ZE1-812	LEVER, COCK .....	1	1	1	-	HA2,LHE4,LX2,LXQ4,PA2,QA2,QAE2,QAG2,QAR2,QHB2,QHB4,QHQ4,QXB7,QXB9,QXC9,QXE4,QXQ4,QXU,RA2,RHQ4,SXE4, SXQ4, SXU, VTA2, VXB7, VXB9, VXQ4, WKT2	
21	16954-ZE1-812	PLATE, LEVER SETTING .....	1	1	1	-	HA2,LHE4,LX2,LXQ4,PA2,QA2,QAE2,QAG2,QAR2,QHB2,QHB4,QHQ4,QXB7,QXB9,QXC9,QXE4,QXQ4,QXU,RA2,RHQ4,SXE4, SXQ4, SXU, VTA2, VXB7, VXB9, VXQ4, WKT2	
22	16956-ZE1-811	SPRING, COCK LEVER .....	1	1	1	-	HA2,LHE4,LX2,LXQ4,PA2,QA2,QAE2,QAG2,QAR2,QHB2,QHB4,QHQ4,QXB7,QXB9,QXC9,QXE4,QXQ4,QXU,RA2,RHQ4,SXE4, SXQ4, SXU, VTA2, VXB7, VXB9, VXQ4, WKT2	
23	16957-ZE1-812	PACKING, FUEL COCK .....	1	1	1	-	HA2,LHE4,LX2,LXQ4,PA2,QA2,QAE2,QAG2,QAR2,QHB2,QHB4,QHQ4,QXB7,QXB9,QXC9,QXE4,QXQ4,QXU,RA2,RHQ4,SXE4, SXQ4, SXU, VTA2, VXB7, VXB9, VXQ4, WKT2	
24	16967-ZE0-811	CUP, FUEL STRAINER .....	1	1	1	-	HA2,LHE4,LX2,LXQ4,PA2,QA2,QAE2,QAG2,QAR2,QHB2,QHB4,QHQ4,QXB7,QXB9,QXC9,QXE4,QXQ4,QXU,RA2,RHQ4,SXE4, SXQ4, SXU, VTA2, VXB7, VXB9, VXQ4, WKT2	
25	91424-Z5F-802	TUBE, FUEL, 4.5X222(FKM) ....	-	1	-	-	VTA2	
26	93500-03006-1H	SCREW, PAN, 3X6 .....	2	2	2	-	HA2,LHE4,LX2,LXQ4,PA2,QA2,QAE2,QAG2,QAR2,QHB2,QHB4,QHQ4,QXB7,QXB9,QXC9,QXE4,QXQ4,QXU,RA2,RHQ4,SXE4, SXQ4, SXU, VTA2, VXB7, VXB9, VXQ4, WKT2	
27	94305-20122	PIN, SPRING, 2X12 .....	1	1	1	-	HA2,LHE4,LX2,LXQ4,PA2,QA2,QAE2,QAG2,QAR2,QHB2,QHB4,QHQ4,QXB7,QXB9,QXC9,QXE4,QXQ4,QXU,RA2,RHQ4,SXE4, SXQ4, SXU, VTA2, VXB7, VXB9, VXQ4, WKT2	
28	95002-40800-08	CLAMP, TUBE(D8) .....	-	2	-	-	VTA2	
29	99101-ZH8-0820	JET, MAIN, #82 .....	(1)	(1)	(1)	-	HA2,LHE4,LX2,LXQ4,PA2,QA2,QAE2,QAG2,QAR2,QHB2,QHB4,QHQ4,QXB7,QXB9,QXE4,QXQ4,QXU,RA2,RHQ4,SXE4, SXQ4, SXU, VTA2, VXB7, VXB9, VXQ4, WKT2	





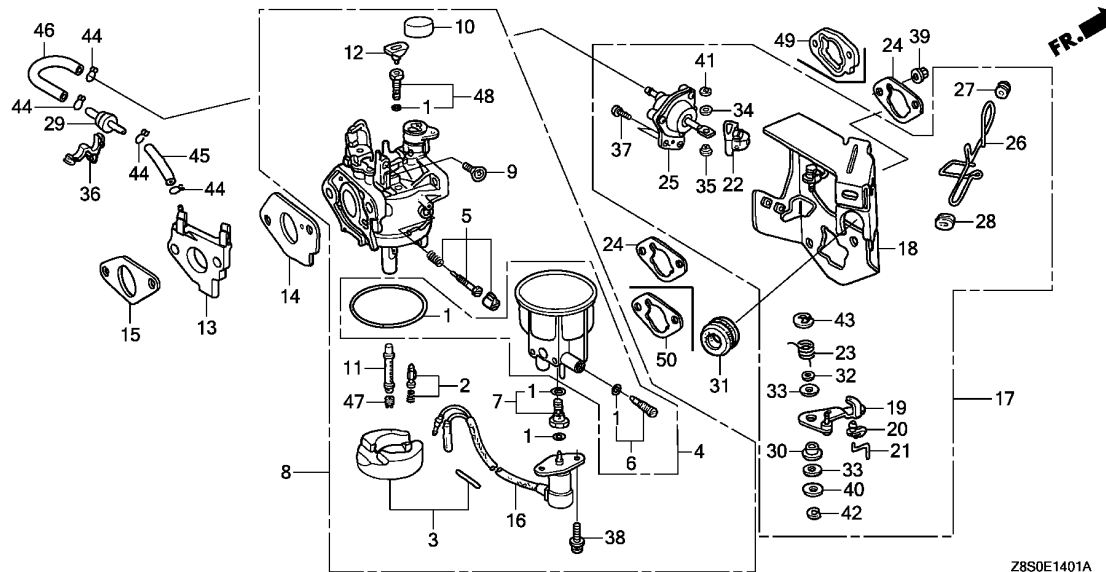
FR. →  
Z8S0E1400A

Ref. No.	Part No.	Description	Reqd. QTY				Serial No.	Parts catalogue code
			GX 240 UT1	GX 240 RT1	GX 240 UT2	GX 240 RT2		
29)	99101-ZH8-0850	JET, MAIN, #85	(1)	(1)	-	-	HA2,LHE4,LX2,LXQ4,PA2,QA2,QAE2,QAG2,QAR2,QHB2,QHB4,QHQ4,QXB7,QXB9,QXE4,QXQ4,QXU,RA2,RHQ4,SXE4,SXQ4,SXU,VTA2,VXB7,VXB9,VXQ4,WKT2	
	99101-ZH8-0880	JET, MAIN, #88	1	1	-	-	HA2,LHE4,LX2,LXQ4,PA2,QA2,QAE2,QAG2,QAR2,QHB2,QHB4,QHQ4,QXB7,QXB9,QXE4,QXQ4,QXU,RA2,RHQ4,SXE4,SXQ4,SXU,VTA2,VXB7,VXB9,VXQ4,WKT2	
	99101-ZH8-0900	JET, MAIN, #90	(1)	-	-	-	QXC9	
	99101-ZH8-0920	JET, MAIN, #92	(1)	-	-	-	QXC9	
	99101-ZH8-0800	JET, MAIN, #80	1	-	-	-	QXC9	
	99101-ZH8-0850	JET, MAIN, #85	-	-	(1)	-	HA2,LX2,LXQ4,PA2,QA2,QAE2,QAG2,QAR2,QHB2,QHB4,QHQ4,QXB7,QXB9,QXE4,QXQ4,QXU,RA2,SXE4,SXQ4,VXB7,VXB9,WKT2	
30	99204-ZA0-0400	JET SET, PILOT, #40	1	1	-	-	HA2,LHE4,LX2,LXQ4,PA2,QA2,QAE2,QAG2,QAR2,QHB2,QHB4,QHQ4,QXB7,QXB9,QXE4,QXQ4,QXU,RA2,RHQ4,SXE4,SXQ4,SXU,VTA2,VXB7,VXB9,VXQ4,WKT2	
	99204-ZE0-0400	(CARBURETOR NO.)	1	-	-	-	BE70A B QXC9	
	99204-ZA0-0400	(CARBURETOR NO.)	1	-	-	-	BE70P A QXC9	
	99204-ZE0-0380	JET SET, PILOT, #38	-	-	1	-	HA2,LX2,LXQ4,PA2,QA2,QAE2,QAG2,QAR2,QHB2,QHB4,QHQ4,QXB7,QXB9,QXE4,QXQ4,QXU,RA2,SXE4,SXQ4,VXB7,VXB9,WKT2	
31	16959-Z5T-901	FILTER, CUP	-	-	1	-	HA2,LX2,LXQ4,PA2,QA2,QAE2,QAG2,QAR2,QHB2,QHB4,QHQ4,QXB7,QXB9,QXE4,QXQ4,QXU,RA2,SXE4,SXQ4,VXB7,VXB9,WKT2	

# E-14-1

# CARBURETOR(2)

E10

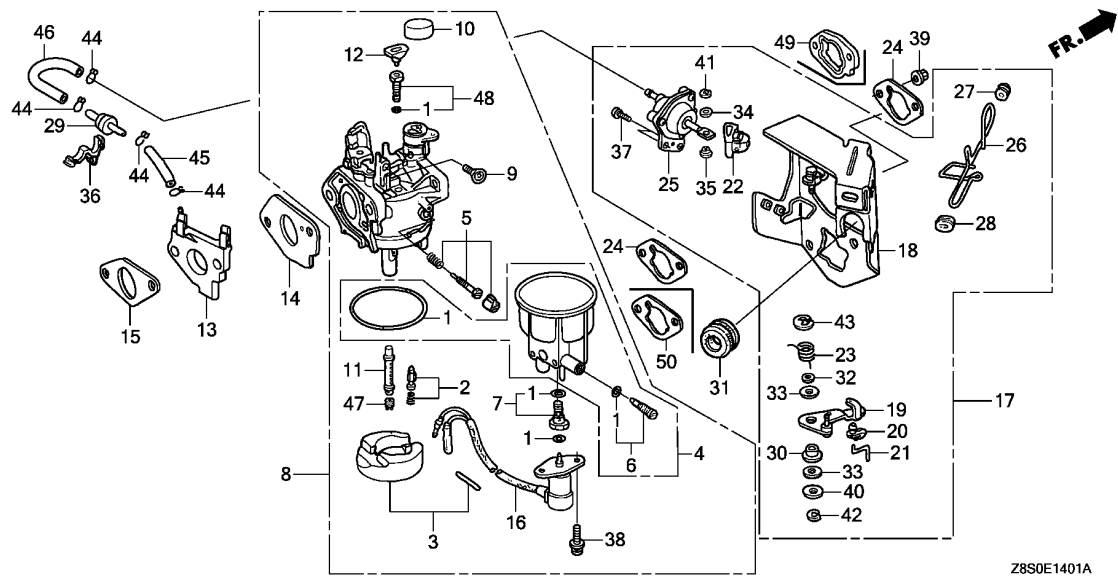


Z8S0E1401A

Ref. No.	L.O.N.	(Relative ref. Number) Description	F.R.T.
1	3111G1	GASKET SET, CARBURETOR(A) (3)	0.4
2	3111G6	VALVE SET, FLOAT AND/OR FLOAT SET(A)	0.4
5	3111D7	SCREW SET, PILOT	0.2
8	3111G7	CARBURETOR(A) (15)	0.3
13	3111G2	INSULATOR, CARBURETOR AND/OR PACKING, INSULATOR(A)	0.3
14	3111G5	PACKING, CARBURETOR(A)	0.3
16	6211C0	VALVE, CARBURETOR SOLENOID	0.3
17	8101R1	STAY, MANUAL CHOKE	0.3
18	3111G3	STAY, CHOKE CONTROL	0.4
19	8101Z6	LEVER, CARBURETOR CHOKE(A) (49,50)	0.3
24	3121D9	PACKING, AIR CLEANER	0.3
25	3111A7	DIAPHRAGM, CARBURETOR	0.3
29	311175	VALVE, DASHPOT CHECK (11)	0.1
47	3111G4	JET, MAIN(A)	0.4

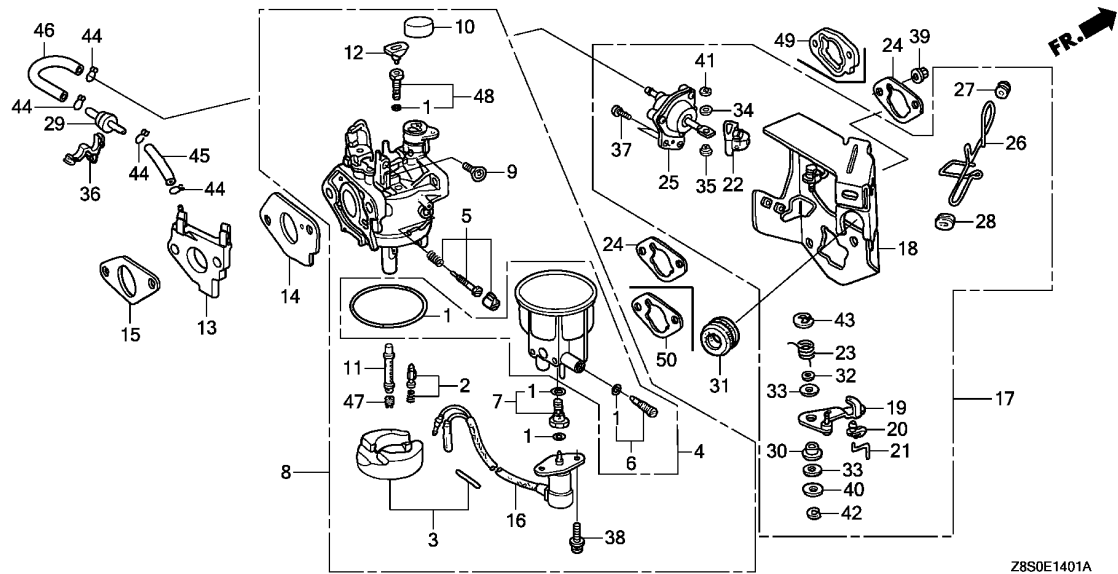
Ref. No.	Part No.	Description	Reqd. QTY				Serial No.	Parts catalogue code
			GX 240 UT1	GX 240 RT1	GX 240 UT2	GX 240 RT2		
1	16010-ZE3-701	GASKET SET	-	1	-	1	-----	VMT2
2	16011-ZA0-931	VALVE SET, FLOAT	-	1	-	1	-----	VMT2
3	16013-Z1C-003	FLOAT SET	-	1	-	1	-----	VMT2
4	16015-ZA0-931	CHAMBER SET, FLOAT	-	1	-	1	-----	VMT2
5	16016-ZH7-W01	SCREW SET, PILOT	-	1	-	1	-----	VMT2
6	16024-124-760	SCREW SET, DRAIN	-	1	-	1	-----	VMT2
7	16028-ZA0-931	SCREW SET	-	1	-	1	-----	VMT2
8	16100-Z8S-F01	CARBURETOR ASSY.(BE72Q A)	-	1	-	-	-----	VMT2
	16100-Z8S-931	CARBURETOR ASSY.(BE72R A)	-	-	-	1	-----	VMT2
9	16124-ZE0-005	SCREW, THROTTLE STOP	-	1	-	1	-----	VMT2
10	16148-141-881	CAP, CHOKE DUST	-	1	-	1	-----	VMT2
11	16166-ZE2-015	NOZZLE, MAIN	-	1	-	-	-----	VMT2
	16166-Z8S-931		-	-	-	1	-----	VMT2
12	16172-ZE3-W10	COLLAR, SETTING	-	1	-	1	-----	VMT2
13	16211-ZE2-700	INSULATOR, CARBURETOR	-	1	-	-	-----	VMT2
	16211-ZE2-701		-	-	-	1	-----	VMT2
14	16221-ZA0-800	PACKING, CARBURETOR	-	1	-	-	-----	VMT2
	16221-Z5K-000		-	-	-	1	-----	VMT2
15	16223-ZA0-800	PACKING, INSULATOR	-	1	-	-	-----	VMT2
	16212-Z5K-000		-	-	-	1	-----	VMT2
16	16230-ZE3-702	VALVE ASSY., SOLENOID	-	1	-	1	-----	VMT2
17	16260-ZE3-D22	STAY ASSY., MANUAL CHOKE	-	1	-	1	-----	VMT2
18	16261-ZE2-702	STAY COMP., SOLENOID	-	1	-	1	-----	VMT2
19	16262-ZE2-711	LEVER, CHOKE	-	1	-	1	-----	VMT2
20	16263-ZA0-000	JOINT, ROD	-	1	-	1	-----	VMT2

2



Z8S0E1401A

Ref. No.	Part No.	Description	Reqd. QTY				Serial No.	Parts catalogue code
			GX 240 UT1	GX 240 RT1	GX 240 UT2	GX 240 RT2		
21	16264-ZE2-701	ROD, CHOKE .....	-	1	-	1	-----	VMT2
22	16265-ZE2-721	STOPPER, CHOKE ROD .....	-	1	-	1	-----	VMT2
23	16268-ZE2-721	SPRING, MANUAL CHOKE .....	-	1	-	1	-----	VMT2
24	16269-ZA0-800	PACKING, AIR CLEANER .....	-	2	-	-	-----	VMT2
25	16400-ZE2-704	DIAPHRAGM ASSY. ....	-	1	-	1	-----	VMT2
26	16611-ZE3-D21	ROD, CHOKE CONTROL .....	-	1	-	1	-----	VMT2
27	16613-893-000	GROMMET, CHOKE ROD .....	-	1	-	1	-----	VMT2
28	16615-893-000	GUIDE, CHOKE ROD .....	-	1	-	1	-----	VMT2
29	36135-ZF6-D41	VALVE, DASHPOT CHECK .....	-	1	-	1	-----	VMT2
30	53149-964-003	BUSH, ARM PIVOT .....	-	1	-	1	-----	VMT2
31	88911-MJ3-000	GROMMET, FENDER .....	-	1	-	1	-----	VMT2
32	90431-ZE2-700	WASHER, CHOKE LEVER .....	-	1	-	1	-----	VMT2
33	90432-ZE2-700	SEAL, CHOKE LEVER .....	-	2	-	2	-----	VMT2
34	90433-ZE2-700	WASHER, THRUST, 2.7X8 .....	-	1	-	1	-----	VMT2
35	90434-ZE2-700	COLLAR, LEVER .....	-	1	-	1	-----	VMT2
36	90650-SD9-003	CLIP, WIRE HARNESS .....	-	1	-	1	-----	VMT2
37	93500-05012-0A	SCREW, PAN, 5X12 .....	-	2	-	2	-----	VMT2
38	93892-05012-18	SCREW-WASHER, 5X12 .....	-	2	-	2	-----	VMT2
39	94050-06000	NUT, FLANGE, 6MM .....	-	2	-	2	-----	VMT2
40	94103-05000	WASHER, PLAIN, 5MM .....	-	1	-	1	-----	VMT2
41	94540-02010	E-RING, 2MM .....	-	1	-	1	-----	VMT2
42	94540-04010	E-RING, 4MM .....	-	1	-	1	-----	VMT2
43	94540-07010	E-RING, 7MM .....	-	1	-	1	-----	VMT2
44	95002-02070	CLIP, TUBE(B7) .....	-	4	-	4	-----	VMT2
45	95005-35065-10	TUBE, 3.5X65(95005-35001-10M) .....	-	1	-	1	-----	VMT2

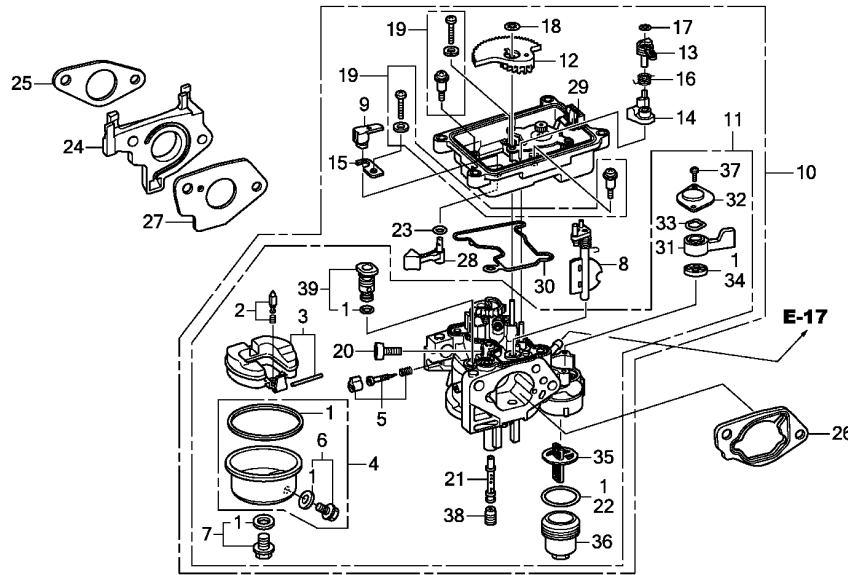


Z8S0E1401A

Ref. No.	Part No.	Description	Reqd. QTY				Serial No.	Parts catalogue code
			GX 240 UT1	GX 240 RT1	GX 240 UT2	GX 240 RT2		
46	95005-35130-10	TUBE, 3.5X130(95005-35001-10M)	-	1	-	1	-----	VMT2
47	99101-ZH8-0780	JET, MAIN, #78	-	(1)	-	(1)	-----	VMT2
	99101-ZH8-0750	JET, MAIN, #75	-	(1)	-	-	-----	VMT2
	99101-ZH8-0800	JET, MAIN, #80	-	1	-	-	-----	VMT2
	99101-ZH8-0820	JET, MAIN, #82	-	-	-	(1)	-----	
48	99204-ZA0-0450	JET SET, PILOT, #45	-	1	-	-	-----	VMT2
	99204-ZE0-0380	JET SET, PILOT, #38	-	-	-	1	-----	
49	16220-ZA0-702	SPACER COMP., CARBURETOR	-	-	-	1	-----	
50	17228-Z5T-000	PACKING, AIR CLEANER	-	-	-	1	-----	

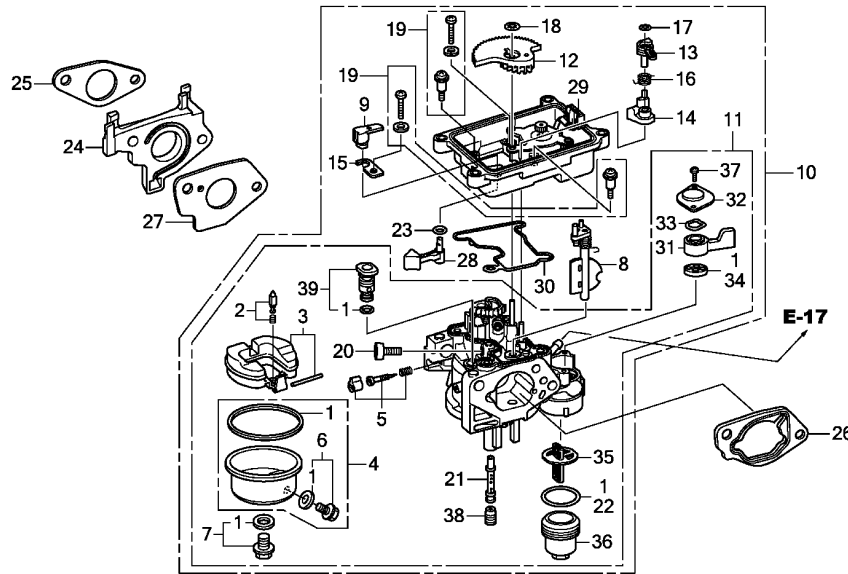






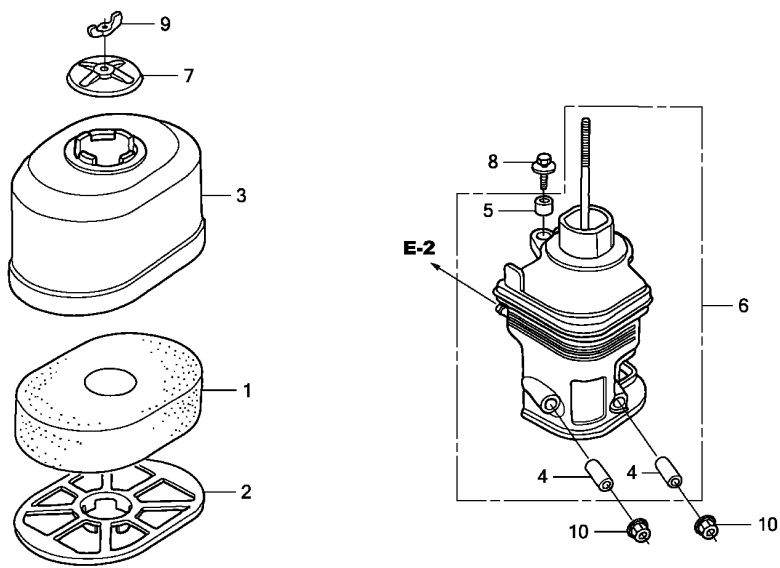
Ref. No.	L.O.N.	(Relative ref. Number) Description	F.R.T.
1	3111W7	GASKET SET, CARBURETOR(B) (3)	0.5
2	3111G6	VALVE SET, FLOAT AND/OR FLOAT SET(A)	0.4
4	3111A3	CHAMBER SET, FLOAT AND/OR GASKET, FLOAT CHAMBER	0.3
5	3111D7	SCREW SET, PILOT	0.2
8	8101C5	CHOKE SET, CARBURETOR (15)	0.4
9	3111N6	ARM, CARBURETOR MANUAL START	0.4
10	3111G7	CARBURETOR(A)	0.3
12	3111N1	GEAR, CARBURETOR MIDDLE (13,16)	0.3
14	8101Z6	LEVER, CARBURETOR CHOKE(A) (36)	0.4
22	3101L6	PACKING, FUEL STRAINER CUP (25)	0.2
24	3111G2	INSULATOR, CARBURETOR AND/OR PACKING, INSULATOR(A)	0.3
26	3111D9	SPACER, CARBURETOR	0.2
27	3111G5	PACKING, CARBURETOR(A) (23)	0.3
28	3111N8	LEVER, CARBURETOR MANUAL START	0.4
29	3111M9	CASE, THROTTLE CONTROL MOTOR	0.4

Ref. No.	Part No.	Description	Reqd. QTY				Serial No.	Parts catalogue code
			GX 240 UT1	GX 240 RT1	GX 240 UT2	GX 240 RT2		
1	16010-ZE2-812	GASKET SET	-	-	1	-	QZA2,QZAV,QZX4	
2	16011-ZA0-931	VALVE SET, FLOAT	-	-	1	-	QZA2,QZAV,QZX4	
3	16013-Z1C-003	FLOAT SET	-	-	1	-	QZA2,QZAV,QZX4	
4	16015-Z5T-901	CHAMBER SET, FLOAT	-	-	1	-	QZA2,QZAV,QZX4	
5	16016-ZH8-W01	SCREW SET	-	-	1	-	QZA2,QZAV,QZX4	
6	16024-Z5T-901	SCREW SET, DRAIN	-	-	1	-	QZA2,QZAV,QZX4	
7	16028-Z5T-901	SCREW SET	-	-	1	-	QZA2,QZAV,QZX4	
8	16044-Z8T-W01	CHOKE SET	-	-	1	-	QZA2,QZAV,QZX4	
9	16045-Z5T-W01	ARM, MANUAL START	-	-	1	-	QZA2,QZAV,QZX4	
10	16100-Z8S-W01	CARBURETOR ASSY. (BE93B A)	-	-	1	-	QZA2,QZX4	
	16100-Z8S-W11		-	-	1	-	QZAV	
11	16110-Z8S-W01	CARBURETOR SET	-	-	1	-	QZA2,QZX4	
	16110-Z8S-W02		-	-	1	-	QZAV	
12	16111-Z5T-W01	GEAR, MIDDLE	-	-	1	-	QZA2,QZAV,QZX4	
13	16112-Z5T-W01	ARM, CHOKE	-	-	1	-	QZA2,QZAV,QZX4	
14	16113-Z5T-W01	LEVER, CHOKE CONTROL	-	-	1	-	QZA2,QZAV,QZX4	
15	16115-Z5T-W01	PLATE	-	-	1	-	QZA2,QZAV,QZX4	
16	16116-Z5T-W01	SPRING, TORSION COIL	-	-	1	-	QZA2,QZAV,QZX4	
17	16117-Z5T-W01	CLIP, SPECIAL	-	-	1	-	QZA2,QZAV,QZX4	
18	16118-Z5T-W01	CLIP, SPECIAL	-	-	1	-	QZA2,QZAV,QZX4	
19	16119-Z5T-W01	SCREW SET	-	-	2	-	QZA2,QZAV,QZX4	
20	16124-Z5T-W01	SCREW, STOP	-	-	1	-	QZA2,QZAV,QZX4	
21	16166-Z8T-W01	NOZZLE, MAIN	-	-	1	-	QZA2,QZAV,QZX4	
22	16173-001-004	PACKING, FUEL STRAINER CUP	-	-	1	-	QZA2,QZAV,QZX4	
23	16178-ZJ0-911	O-RING	-	-	1	-	QZA2,QZAV,QZX4	



Ref. No.	L.O.N.	(Relative ref. Number) Description	F.R.T.
30	3111N0	PACKING, THROTTLE CONTROL MOTOR CASE (31,32,33)	0.4
34	3101N0	PACKING, FUEL COCK(A)	0.4
35	3111P0	FILTER, CARBURETOR CUP (21)	0.2
38	3111G4	JET, MAIN(A)	0.4

Ref. No.	Part No.	Description	Reqd. QTY				Serial No.	Parts catalogue code
			GX 240 UT1	GX 240 RT1	GX 240 UT2	GX 240 RT2		
24	16211-Z5K-W00	INSULATOR, CARBURETOR	-	-	1	-	QZA2,QZAV,QZX4	
25	16212-Z5K-000	PACKING, INSULATOR	-	-	1	-	QZA2,QZAV,QZX4	
26	16220-ZA0-702	SPACER COMP., CARBURETOR	-	-	1	-	QZA2,QZAV,QZX4	
27	16221-Z5K-000	PACKING, CARBURETOR	-	-	1	-	QZA2,QZAV,QZX4	
28	16612-Z5T-W01	LEVER, MANUAL START	-	-	1	-	QZA2,QZAV,QZX4	
29	16646-Z5T-W01	CASE COMP., MOTOR	-	-	1	-	QZA2,QZAV,QZX4	
30	16648-Z5T-W01	U-RING	-	-	1	-	QZA2,QZAV,QZX4	
31	16953-ZE1-812	LEVER, COCK	-	-	1	-	QZA2,QZAV,QZX4	
32	16954-ZE1-812	PLATE, LEVER SETTING	-	-	1	-	QZA2,QZAV,QZX4	
33	16956-ZE1-811	SPRING, COCK LEVER	-	-	1	-	QZA2,QZAV,QZX4	
34	16957-ZE1-812	PACKING, FUEL COCK	-	-	1	-	QZA2,QZAV,QZX4	
35	16959-Z5T-901	FILTER, CUP	-	-	1	-	QZA2,QZAV,QZX4	
36	16967-ZE0-811	CUP, FUEL STRAINER	-	-	1	-	QZA2,QZAV,QZX4	
37	93500-03006-1H	SCREW, PAN, 3X6	-	-	2	-	QZA2,QZAV,QZX4	
38	99101-ZH8-0820	JET, MAIN, #82	-	-	(1)	-	QZA2	
	99101-ZH8-0850	JET, MAIN, #85	-	-	1	-	QZA2,QZX4	
	99101-ZH8-0820	JET, MAIN, #82	-	-	1	-	QZAV	
	99101-ZH8-0780	JET, MAIN, #78	-	-	(1)	-	QZAV,QZX4	
	99101-ZH8-0800	JET, MAIN, #80	-	-	(1)	-	QZAV,QZX4	
39	99204-ZE2-0380	JET SET, PILOT, #38	-	-	1	-	QZA2,QZAV,QZX4	



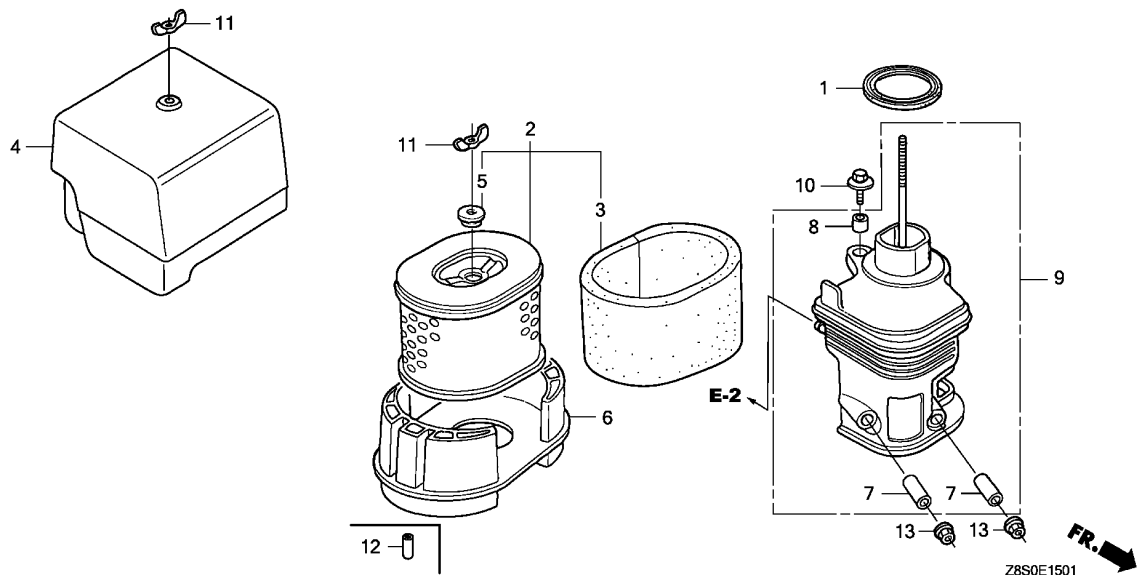
Ref. No.	L.O.N.	(Relative ref. Number) Description	F.R.T.
1	3121B8	ELEMENT, AIR CLEANER ..... .INCLUDES: Air cleaner element -inspection	0.1
6	3121B4	ELBOW, AIR CLEANER .....	0.1

Ref. No.	Part No.	Description	Reqd. QTY				Serial No.	Parts catalogue code
			GX 240 UT1	GX 240 RT1	GX 240 UT2	GX 240 RT2		
1	17211-ZE2-000	ELEMENT, AIR CLEANER(SEMI DRY)	1	-	-	-	-----	WKT2
2	17212-ZE2-000	GRID, AIR CLEANER .....	1	-	-	-	-----	WKT2
3	17231-ZE2-000	COVER, AIR CLEANER(SEMI DRY)	1	-	-	-	-----	WKT2
4	17238-ZE2-310	COLLAR, AIR CLEANER .....	2	-	-	-	-----	WKT2
5	17239-ZE1-000	COLLAR B, AIR CLEANER .....	1	-	-	-	-----	WKT2
6	17410-ZE2-020	ELBOW COMP., AIR CLEANER ....	1	-	-	-	-----	WKT2
7	17420-ZE2-000	CAP COMP., AIR CLEANER .....	1	-	-	-	-----	WKT2
8	90009-ZE2-003	BOLT-WASHER, 6X22 .....	1	-	-	-	-----	WKT2
9	90325-044-000	NUT, TOOL BOX SETTING .....	1	-	-	-	-----	WKT2
10	94050-06000	NUT, FLANGE, 6MM .....	2	-	-	-	-----	WKT2

E-15-1

AIR CLEANER(2)

E16



Ref. No.	L.O.N.	(Relative ref. Number) Description	F.R.T.
1	3121E1	PACKING, ELBOW .....	0.1
2	3121B8	ELEMENT, AIR CLEANER .....	0.1
.INCLUDES: Air cleaner element -inspection			
3	3121C1	FILTER, OUTER .....	0.1
.INCLUDES: Outer filter-inspection			
9	3121B4	ELBOW, AIR CLEANER .....	0.1

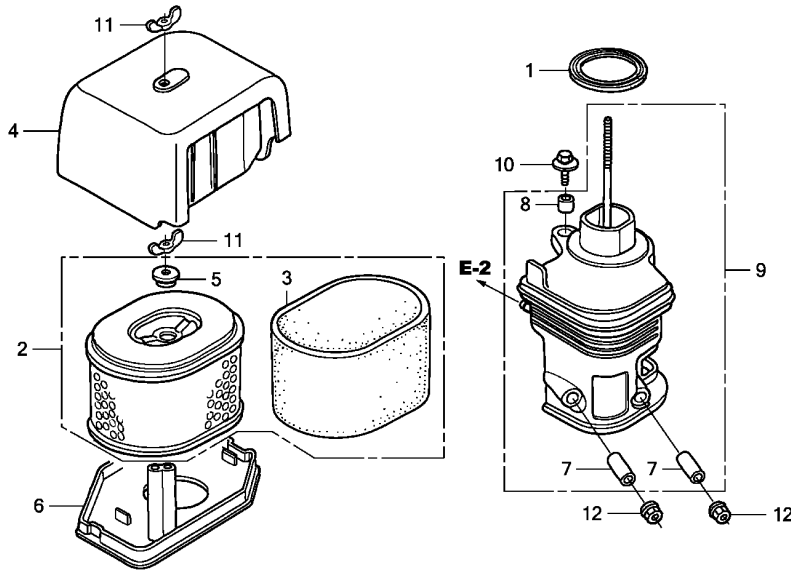
Ref. No.	Part No.	Description	Reqd. QTY				Serial No.	Parts catalogue code
			GX 240 UT1	GX 240 RT1	GX 240 UT2	GX 240 RT2		
1	16271-ZE2-010	PACKING, ELBOW .....	1	1	-	-	HA2,LHE4,LX2,LXQ4,PA2,QA2,QAE2,QAG2,QAR2,QHB2,QHB4,QHQ4,QXE4,QXQ4,QXU,RA2,RHQ4,SXE4, SXQ4, SXU, VTA2, VXQ4	
2	17210-ZE2-822	ELEMENT, AIR CLEANER(DUAL) ..	1	1	-	-	HA2,LHE4,LX2,LXQ4,PA2,QA2,QAE2,QAG2,QAR2,QHB2,QHB4,QHQ4,QXE4,QXQ4,QXU,RA2,RHQ4,SXE4, SXQ4, SXU, VTA2, VXQ4	
3	17218-ZE2-821	FILTER, OUTER .....	1	1	-	-	HA2,LHE4,LX2,LXQ4,PA2,QA2,QAE2,QAG2,QAR2,QHB2,QHB4,QHQ4,QXE4,QXQ4,QXU,RA2,RHQ4,SXE4, SXQ4, SXU, VTA2, VXQ4	
4	17231-ZH9-820	COVER, AIR CLEANER .....	1	1	-	-	HA2,LHE4,LX2,LXQ4,PA2,QA2,QAE2,QAG2,QAR2,QHB2,QHB4,QHQ4,QXE4,QXQ4,QXU,RA2,RHQ4,SXE4, SXQ4, SXU, VTA2, VXQ4	
5	17232-891-000	GROMMET, AIR CLEANER .....	1	1	-	-	HA2,LHE4,LX2,LXQ4,PA2,QA2,QAE2,QAG2,QAR2,QHB2,QHB4,QHQ4,QXE4,QXQ4,QXU,RA2,RHQ4,SXE4, SXQ4, SXU, VTA2, VXQ4	
6	17235-ZE2-820	NOSE, SILENCER .....	1	-	-	-	LX2,LXQ4,QXE4,QXQ4,QXU,SXE4, SXQ4, SXU, VXQ4	
	17235-Z5H-000	.....	-	1	-	-	VTA2	
7	17238-ZE2-310	COLLAR, AIR CLEANER .....	2	2	-	-	HA2,LHE4,LX2,LXQ4,PA2,QA2,QAE2,QAG2,QAR2,QHB2,QHB4,QHQ4,QXE4,QXQ4,QXU,RA2,RHQ4,SXE4, SXQ4, SXU, VTA2, VXQ4	
8	17239-ZE1-000	COLLAR B, AIR CLEANER .....	1	1	-	-	HA2,LHE4,LX2,LXQ4,PA2,QA2,QAE2,QAG2,QAR2,QHB2,QHB4,QHQ4,QXE4,QXQ4,QXU,RA2,RHQ4,SXE4, SXQ4, SXU, VTA2, VXQ4	
9	17410-ZE2-020	ELBOW COMP., AIR CLEANER ....	1	1	-	-	HA2,LHE4,LX2,LXQ4,PA2,QA2,QAE2,QAG2,QAR2,QHB2,QHB4,QHQ4,QXE4,QXQ4,QXU,RA2,RHQ4,SXE4, SXQ4, SXU, VTA2, VXQ4	
10	90009-ZE2-003	BOLT-WASHER, 6X22 .....	1	1	-	-	HA2,LHE4,LX2,LXQ4,PA2,QA2,QAE2,QAG2,QAR2,QHB2,QHB4,QHQ4,QXE4,QXQ4,QXU,RA2,RHQ4,SXE4, SXQ4, SXU, VTA2, VXQ4	
11	90325-044-000	NUT, TOOL BOX SETTING .....	2	2	-	-	HA2,LHE4,LX2,LXQ4,PA2,QA2,QAE2,QAG2,QAR2,QHB2,QHB4,QHQ4,QXE4,QXQ4,QXU,RA2,RHQ4,SXE4, SXQ4, SXU, VTA2, VXQ4	
12	90634-ZL8-H00	CAP, SEALING .....	-	1	-	-	VTA2	
13	94050-06000	NUT, FLANGE, 6MM .....	2	2	-	-	HA2,LHE4,LX2,LXQ4,PA2,QA2,QAE2,QAG2,QAR2,QHB2,QHB4,QHQ4,QXE4,QXQ4,QXU,RA2,RHQ4,SXE4, SXQ4, SXU, VTA2, VXQ4	

2

# E-15-2

# AIR CLEANER(3)

F 1



Z8S0E1502



Ref. No.	L.O.N.	(Relative ref. Number) Description	F.R.T.
1	3121E1	PACKING, ELBOW .....	0.1
2	3121B8	ELEMENT, AIR CLEANER .....	0.1
.INCLUDES: Air cleaner element -inspection			
3	3121C1	FILTER, OUTER .....	0.1
.INCLUDES: Outer filter-inspection			
9	3121B4	ELBOW, AIR CLEANER .....	0.1

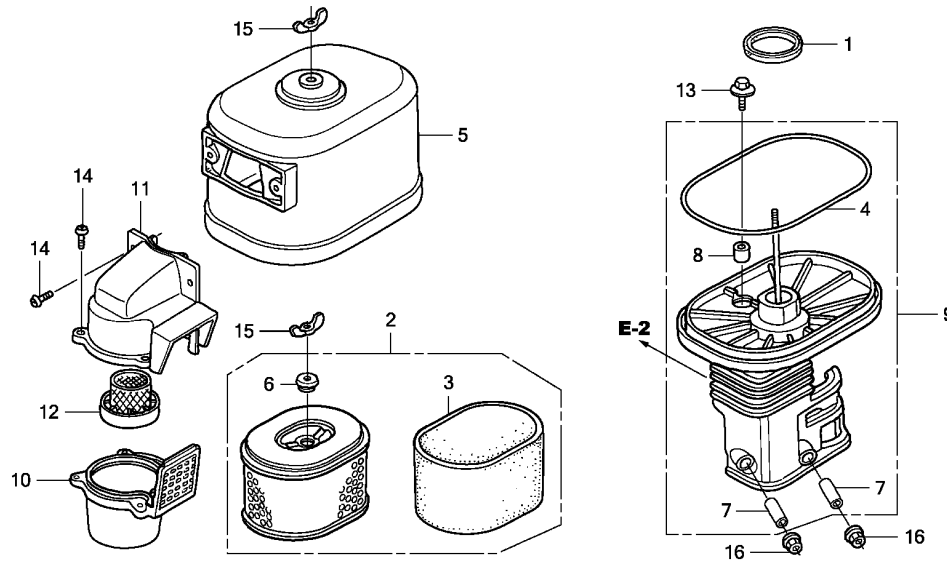
Ref. No.	Part No.	Description	Reqd. QTY				Serial No.	Parts catalogue code
			GX 240 UT1	GX 240 RT1	GX 240 UT2	GX 240 RT2		
1	16271-ZE2-010	PACKING, ELBOW .....	1	-	-	-	-----	QXB7, QXB9, VXB7, VXB9
2	17210-ZE3-010	ELEMENT, AIR CLEANER .....	1	-	-	-	-----	QXB7, QXB9, VXB7, VXB9
3	17218-ZE3-000	FILTER, OUTER .....	1	-	-	-	-----	QXB7, QXB9, VXB7, VXB9
4	17231-ZH9-N01	COVER, AIR CLEANER(100DB) ...	1	-	-	-	-----	QXB7, QXB9, VXB7, VXB9
5	17232-891-000	GROMMET, AIR CLEANER .....	1	-	-	-	-----	QXB7, QXB9, VXB7, VXB9
6	17235-ZH9-N01	NOSE, SILENCER .....	1	-	-	-	-----	QXB7, QXB9, VXB7, VXB9
7	17238-ZE2-310	COLLAR, AIR CLEANER .....	2	-	-	-	-----	QXB7, QXB9, VXB7, VXB9
8	17239-ZE1-000	COLLAR B, AIR CLEANER .....	1	-	-	-	-----	QXB7, QXB9, VXB7, VXB9
9	17410-ZH9-N00	ELBOW COMP., AIR CLEANER ....	1	-	-	-	-----	QXB7, QXB9, VXB7, VXB9
10	90009-ZE2-003	BOLT-WASHER, 6X22 .....	1	-	-	-	-----	QXB7, QXB9, VXB7, VXB9
11	90325-044-000	NUT, TOOL BOX SETTING .....	2	-	-	-	-----	QXB7, QXB9, VXB7, VXB9
12	94050-06000	NUT, FLANGE, 6MM .....	2	-	-	-	-----	QXB7, QXB9, VXB7, VXB9

2

E-15-3

AIR CLEANER(4)

F 2



Ref. No.	L.O.N.	(Relative ref. Number) Description	F.R.T.
1	3121E1	PACKING, ELBOW .....	0.1
2	3121B8	ELEMENT, AIR CLEANER .....	0.1
		.INCLUDES: Air cleaner element -inspection	
3	3121C1	FILTER, OUTER .....	0.1
		.INCLUDES: Outer filter-inspection	
4	3121E0	PACKING, AIR CLEANER COVER ...	0.1
5	3121B1	COVER, AIR CLEANER .....	0.1
9	3121B4	ELBOW, AIR CLEANER .....	0.1
10	3121A6	CASE, PRE AIR CLEANER .....	0.1
11	3121A4	CAP, PRE AIR CLEANER .....	0.1
12	3121C8	GUIDE, PRE AIR CLEANER .....	0.1

Z8S0E1503

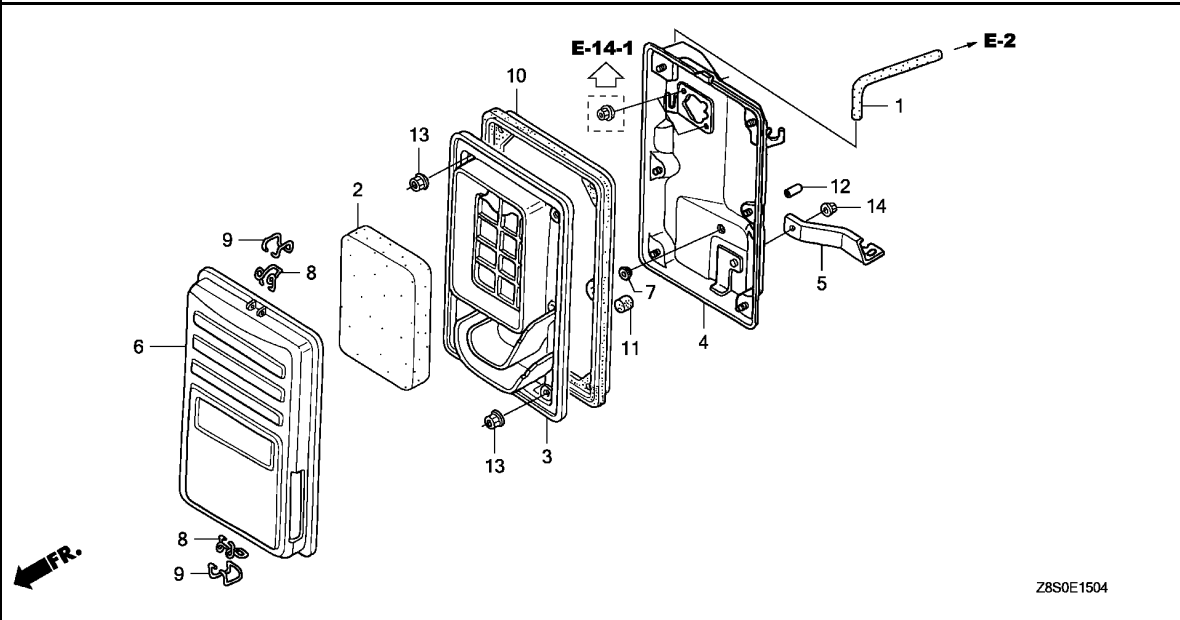
Ref. No.	Part No.	Description	Reqd. QTY				Serial No.	Parts catalogue code
			GX 240 UT1	GX 240 RT1	GX 240 UT2	GX 240 RT2		
1	16271-ZE2-010	PACKING, ELBOW .....	1	-	-	-	QXC9	
2	17210-ZE3-010	ELEMENT, AIR CLEANER .....	1	-	-	-	QXC9	
3	17218-ZE3-000	FILTER, OUTER .....	1	-	-	-	QXC9	
4	17219-ZE3-840	PACKING, AIR CLEANER COVER ..	1	-	-	-	QXC9	
5	17230-ZE3-841	COVER COMP., AIR CLEANER (CYCLONE)	1	-	-	-	QXC9	
6	17232-891-000	GROMMET, AIR CLEANER .....	1	-	-	-	QXC9	
7	17238-ZE2-310	COLLAR, AIR CLEANER .....	2	-	-	-	QXC9	
8	17239-ZE3-840	COLLAR B, AIR CLEANER .....	1	-	-	-	QXC9	
9	17410-ZE3-840	ELBOW COMP., AIR CLEANER .....	1	-	-	-	QXC9	
10	17470-ZE3-842	CASE COMP., PRE AIR CLEANER ..	1	-	-	-	QXC9	
11	17475-ZE3-841	CAP, PRE AIR CLEANER .....	1	-	-	-	QXC9	
12	17476-ZE3-841	GUIDE, PRE AIR CLEANER .....	1	-	-	-	QXC9	
13	90009-ZE2-003	BOLT-WASHER, 6X22 .....	1	-	-	-	QXC9	
14	90142-MB0-000	SCREW, PAN, 5X16.5 .....	5	-	-	-	QXC9	
15	90325-044-000	NUT, TOOL BOX SETTING .....	2	-	-	-	QXC9	
16	94050-06000	NUT, FLANGE, 6MM .....	2	-	-	-	QXC9	

2

E-15-4

AIR CLEANER(5)

F 3



Ref. No.	L.O.N.	(Relative ref. Number) Description	F.R.T.
1	1111K5	TUBE, BREATHER .....	0.1
2	3121B8	ELEMENT, AIR CLEANER .....	0.1
		.INCLUDES: Air cleaner element -inspection	
3	3121F0	SEPARATOR, AIR CLEANER .....	0.1
4	3121A5	CASE, AIR CLEANER .....	0.1
10	3121E8	SEAL, AIR CLEANER CASE .....	0.1

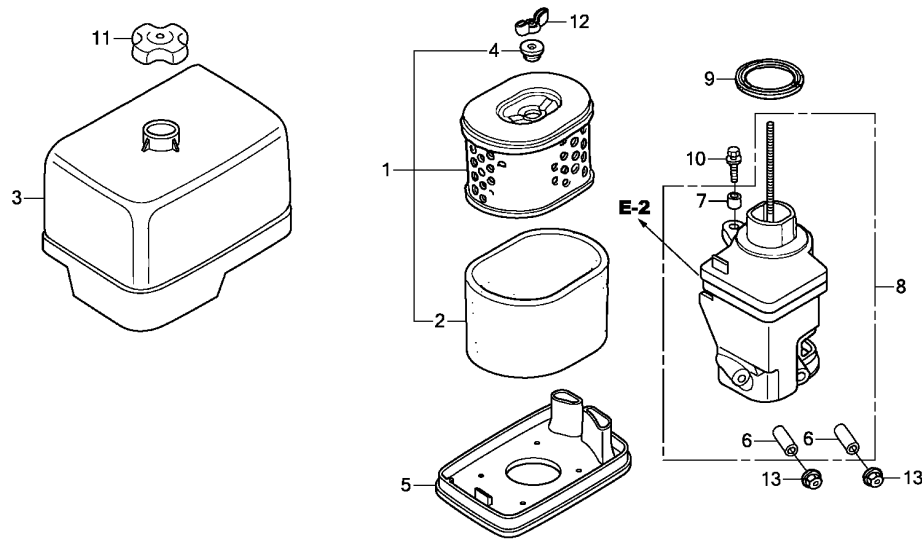
Ref. No.	Part No.	Description	Reqd. QTY				Serial No.	Parts catalogue code
			GX 240 UT1	GX 240 RT1	GX 240 UT2	GX 240 RT2		
1	15721-ZB4-000	TUBE, BREATHER .....	-	1	-	-	-----	VMT2
2	17211-899-000	ELEMENT, AIR CLEANER .....	-	1	-	-	-----	VMT2
3	17212-Z5R-000	SEPARATOR, AIR CLEANER .....	-	1	-	-	-----	VMT2
4	17220-Z5R-000	CASE COMP., AIR CLEANER .....	-	1	-	-	-----	VMT2
5	17222-ZB4-000	STAY, AIR CLEANER .....	-	1	-	-	-----	VMT2
6	17231-899-000	COVER COMP., AIR CLEANER .....	-	1	-	-	-----	VMT2
7	17232-898-000	GROMMET, AIR CLEANER .....	-	1	-	-	-----	VMT2
8	17235-899-000	CLIP A, AIR CLEANER WIRE .....	-	2	-	-	-----	VMT2
9	17236-899-000	CLIP B, AIR CLEANER WIRE .....	-	2	-	-	-----	VMT2
10	17252-899-000	SEAL, AIR CLEANER .....	-	1	-	-	-----	VMT2
11	17367-413-690	FILTER, DRAIN TUBE .....	-	1	-	-	-----	VMT2
12	90634-ZL8-H00	CAP, SEALING .....	-	1	-	-	-----	VMT2
13	94050-05000	NUT, FLANGE, 5MM .....	-	6	-	-	-----	VMT2
14	94050-06000	NUT, FLANGE, 6MM .....	-	1	-	-	-----	VMT2

2

# E-15-5

# AIR CLEANER(6)

F 4

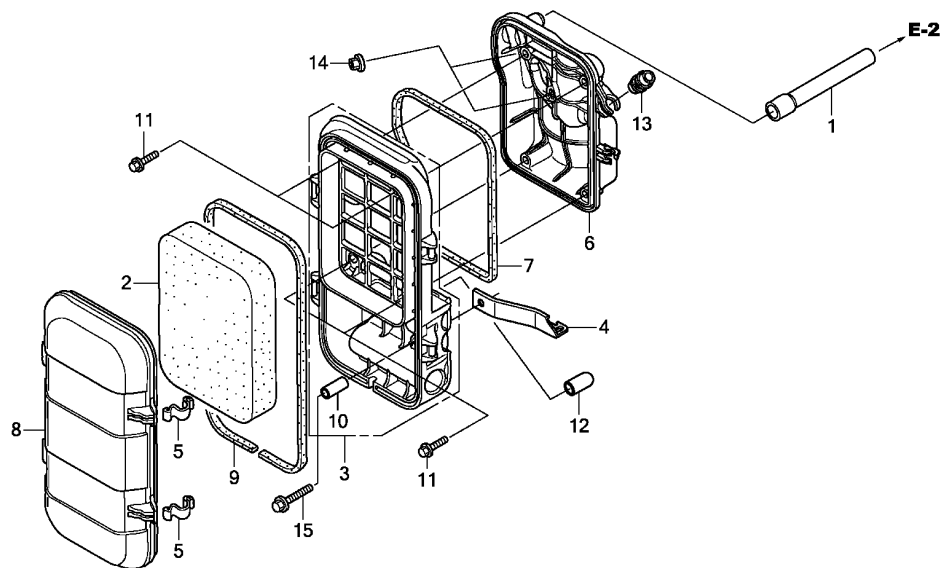


Ref. No.	L.O.N.	(Relative ref. Number) Description	F.R.T.
1	3121B8	ELEMENT, AIR CLEANER ..... .INCLUDES: Air cleaner element -inspection	0.1
2	3121C1	FILTER, OUTER ..... .INCLUDES: Outer filter-inspection	0.1
5	3121D6	NOSE, SILENCER .....	0.1
8	3121B4	ELBOW, AIR CLEANER .....	0.1
9	3121R3	PACKING, AIR CLEANER CASE ....	0.1

Ref. No.	Part No.	Description	Reqd. QTY				Serial No.	Parts catalogue code
			GX 240 UT1	GX 240 RT1	GX 240 UT2	GX 240 RT2		
1	17210-ZE2-822	ELEMENT, AIR CLEANER(DUAL) ..	-	-	1	-	HA2,LX2,LXQ4,PA2,QA2,QAE2,QAG2,QAR2,QHB2,QHB4,QHQ4,QXB7,QXB9 QXE4,QXQ4,QXU,RA2,SXE4,SXQ4,VXB7,VXB9,WKT2	
	17210-Z5K-W00	ELEMENT COMP., AIR CLEANER ..	-	-	1	-	QZA2,QZAV,QZX4	
2	17218-ZE2-821	FILTER, OUTER .....	-	-	1	-		
3	17231-Z5K-000	COVER, AIR CLEANER CASE .....	-	-	1	-		
4	17232-891-000	GROMMET, AIR CLEANER .....	-	-	1	-		
5	17235-Z5K-000	NOSE, SILENCER .....	-	-	1	-		
6	17238-ZE2-310	COLLAR, AIR CLEANER .....	-	-	2	-		
7	17239-ZE1-000	COLLAR B, AIR CLEANER .....	-	-	1	-		
8	17410-Z5K-000	ELBOW COMP., AIR CLEANER .....	-	-	1	-	HA2,LX2,LXQ4,PA2,QA2,QAE2,QAG2,QAR2,QHB2,QHB4,QHQ4,QXB7,QXB9 QXE4,QXQ4,QXU,RA2,SXE4,SXQ4,VXB7,VXB9,WKT2	
	17410-Z5K-W00	.....	-	-	1	-	QZA2,QZAV,QZX4	
9	17417-Z5T-000	PACKING, AIR CLEANER CASE .....	-	-	1	-		
10	90009-Z1C-000	BOLT-WASHER, 6X22 .....	-	-	1	-	HA2,LX2,LXQ4,PA2,QA2,QAE2,QAG2,QAR2,QHB2,QHB4,QHQ4,QXB7,QXB9 QXE4,QXQ4,QXU,RA2,SXE4,SXQ4,VXB7,VXB9,WKT2	
	90009-Z5T-W00	BOLT-WASHER, 6X18 .....	-	-	1	-	QZA2,QZAV,QZX4	
11	90202-Z2E-000	NUT, AIR CLEANER COVER .....	-	-	1	-		
12	90325-044-000	NUT, TOOL BOX SETTING .....	-	-	1	-		
13	94050-06000	NUT, FLANGE, 6MM .....	-	-	2	-		

2

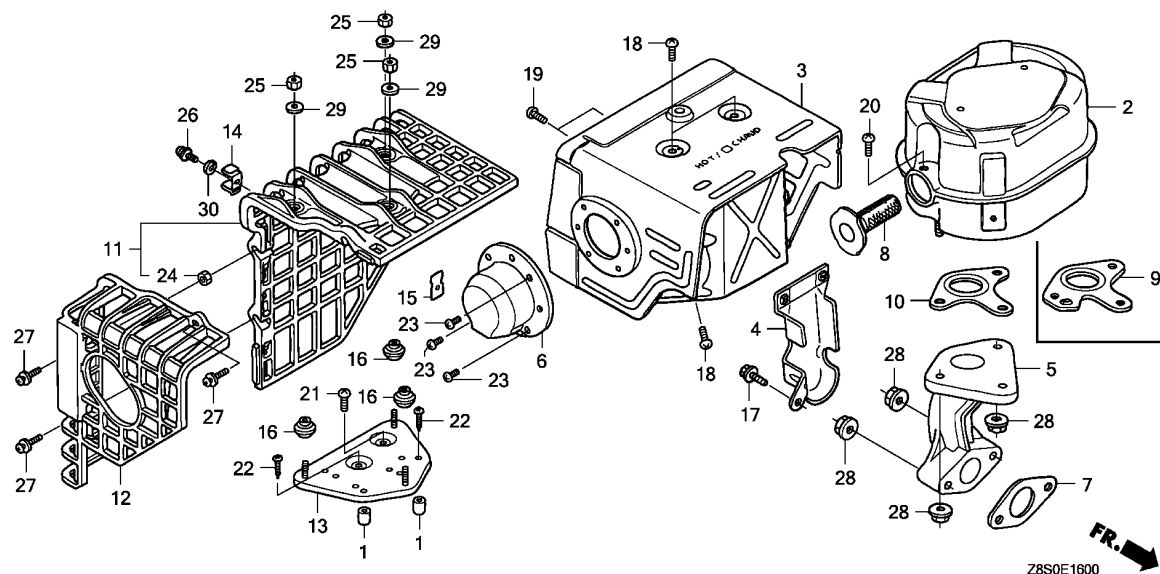




Z8S0E1506

Ref. No.	L.O.N.	(Relative ref. Number) Description	F.R.T.
1	1111K5	TUBE, BREATHER .....	0.2
2	3121B8	ELEMENT, AIR CLEANER .....	0.1
.INCLUDES: Air cleaner element -inspection			
3	3121H1	CASE, AIR CLEANER(A) .....	0.2
6	3121Q0	BASE, AIR CLEANER .....	0.2
7	3121R4	SEAL, AIR CLEANER CASE(A) .....	0.2
9	3121E9	SEAL, AIR CLEANER COVER .....	0.1

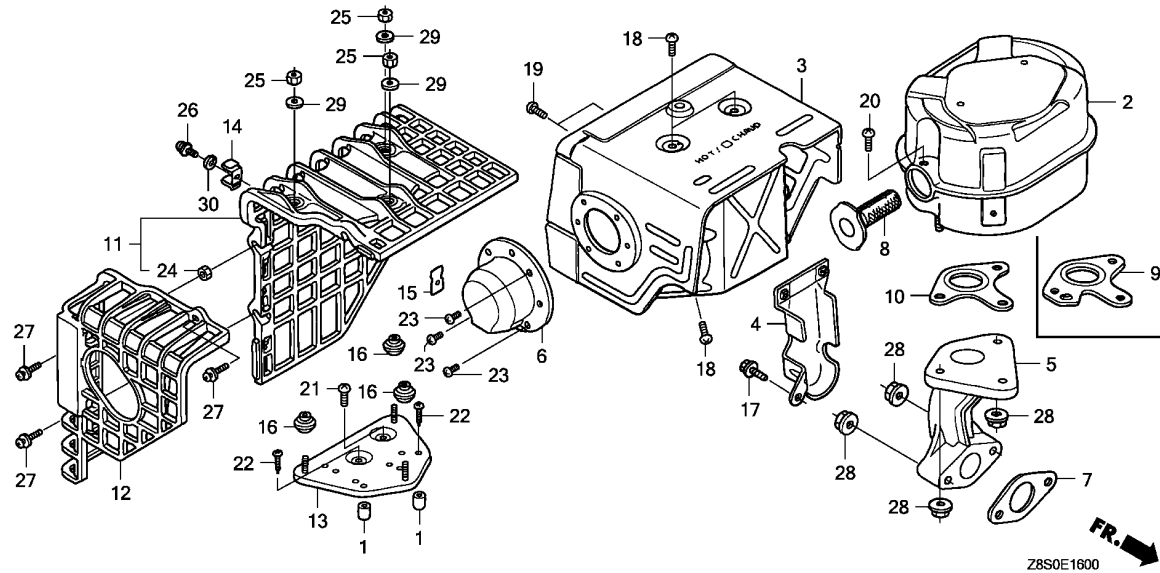
Ref. No.	Part No.	Description	Reqd. QTY				Serial No.	Parts catalogue code
			GX 240 UT1	GX 240 RT1	GX 240 UT2	GX 240 RT2		
1	15721-Z23-H60	TUBE, BREATHER .....	-	-	-	1		
2	17211-899-000	ELEMENT, AIR CLEANER .....	-	-	-	1		
3	17220-Z23-S30	CASE COMP., AIR CLEANER .....	-	-	-	1		
4	17222-Z21-F60	STAY, AIR CLEANER .....	-	-	-	1		
5	17223-Z23-000	SPRING, AIR CLEANER CASE LID	-	-	-	2		
6	17223-Z23-S30	BASE COMP., AIR CLEANER .....	-	-	-	1		
7	17229-Z23-H60	SEAL, AIR CLEANER CASE .....	-	-	-	1		
8	17231-Z23-H60	COVER, AIR CLEANER .....	-	-	-	1		
9	17233-Z23-H60	SEAL, AIR CLEANER COVER .....	-	-	-	1		
10	17238-ZE7-710	COLLAR, AIR CLEANER .....	-	-	-	1		
11	90005-ZM3-000	BOLT, FLANGE, 5X18 .....	-	-	-	4		
12	90802-Z6L-000	CAP, SEALING .....	-	-	-	1		
13	90854-ZB3-000	RUBBER, FUEL(9X15X20) .....	-	-	-	1		
14	94050-06000	NUT, FLANGE, 6MM .....	-	-	-	2		
15	95701-06032-08	BOLT, FLANGE, 6X32 .....	-	-	-	1		



Ref. No.	L.O.N.	(Relative ref. Number) Description	F.R.T.
2	3131C5	MUFFLER, EXHAUST .....	0.2
3	3131D6	PROTECTOR, EXHAUST MUFFLER ...	0.2
5	3131C9	PIPE, EXHAUST .....	0.2
7	3131B5	GASKET, EXHAUST PIPE .....	0.2
8	3131A1	ARRESTER, SPARK .....	0.2
		.INCLUDES: Spark arrester check (9)	
10	3131B4	GASKET, EXHAUST MUFFLER .....	0.2
11	3131A7	COVER, EXHAUST MUFFLER .....	0.1
12	3131A6	COVER, EXHAUST MUFFLER :REAR ..	0.1
13	3131A2	BASE, EXHAUST MUFFLER COVER ..	0.2

Ref. No.	Part No.	Description	Reqd. QTY				Serial No.	Parts catalogue code
			GX 240 UT1	GX 240 RT1	GX 240 UT2	GX 240 RT2		
1	17233-896-701	COLLAR, AIR CLEANER CASE .....	(2)	-	-	-	LHE4,QHB2,QHB4,QHQ4,RHQ4	
2	18310-ZE2-W00	MUFFLER COMP. ....	1	1	-	-	HA2,LHE4,PA2,QA2,QAE2,QAG2,QAR2,QHB2,QHB4,QHQ4,RA2,RHQ4,VTA2 WKT2	
3	18320-ZE2-W01	PROTECTOR COMP., MUFFLER(STD.)	1	1	-	-	HA2,LHE4,PA2,QA2,QAE2,QAG2,QAR2,QHB2,QHB4,QHQ4,RA2,RHQ4,VTA2 WKT2	
4	18323-ZE2-W00	PROTECTOR, EX. PIPE .....	1	1	-	-	HA2,PA2,QA2,QAE2,QAG2,QAR2,RA2,VTA2	
5	18330-ZE2-W00	PIPE, EX. ....	1	1	-	-	HA2,LHE4,PA2,QA2,QAE2,QAG2,QAR2,QHB2,QHB4,QHQ4,RA2,RHQ4,VTA2 WKT2	
6	18331-ZE2-810	CAP, MUFFLER .....	1	1	-	-	HA2,PA2,QA2,QAE2,QAG2,QAR2,RA2,VTA2	
7	18333-Z1C-801	GASKET, EX. PIPE .....	1	1	-	-	HA2,LHE4,PA2,QA2,QAE2,QAG2,QAR2,QHB2,QHB4,QHQ4,RA2,RHQ4,VTA2 WKT2	
8	18355-ZE2-010	ARRESTER, SPARK .....	(1)	(1)	-	-	HA2,LHE4,PA2,QHQ4,RA2,RHQ4,VMT2	
9	18381-ZE2-W10	GASKET, MUFFLER(ARRESTER) (NIPPON LEAKLESS)	(1)	(1)	-	-	QA2,QAE2,QAG2,QAR2,QHB2,QHB4,VTA2,WKT2	
	18381-Z8S-801	GASKET, MUFFLER(ARRESTER) (THAI LEAKLESS)	1	1	-	-	HA2,LHE4,PA2,QHQ4,RA2,RHQ4,VMT2	
	18381-ZE2-W10	GASKET, MUFFLER(ARRESTER) (NIPPON LEAKLESS)	1	1	-	-	QA2,QAE2,QAG2,QAR2,QHB2,QHB4,VTA2,WKT2	
10	18381-Z1C-801	GASKET, MUFFLER(THAI LEAKLESS)	1	-	-	-	QA2,QAE2,QAG2,QAR2,QHB2,QHB4,VTA2,WKT2	
	18381-ZE2-800	GASKET, MUFFLER (NIPPON LEAKLESS)	1	-	-	-	HA2,LHE4,PA2,QHQ4,RA2,RHQ4	
11	18433-ZK9-W40	COVER COMP., MUFFLER .....	(1)	-	-	-	LHE4,QHB2,QHB4,QHQ4,RHQ4	
12	18434-ZK9-W40	COVER COMP., RR. MUFFLER .....	(1)	-	-	-	LHE4,QHB2,QHB4,QHQ4,RHQ4	
13	18436-ZH8-W40	BASE COMP., MUFFLER COVER ...	(1)	-	-	-	LHE4,QHB2,QHB4,QHQ4,RHQ4	
14	18437-ZF6-W40	STAY, MUFFLER COVER .....	(1)	-	-	-	LHE4,QHB2,QHB4,QHQ4,RHQ4	
15	18438-ZF6-W40	PLATE, SET .....	(1)	-	-	-	LHE4,QHB2,QHB4,QHQ4,RHQ4	



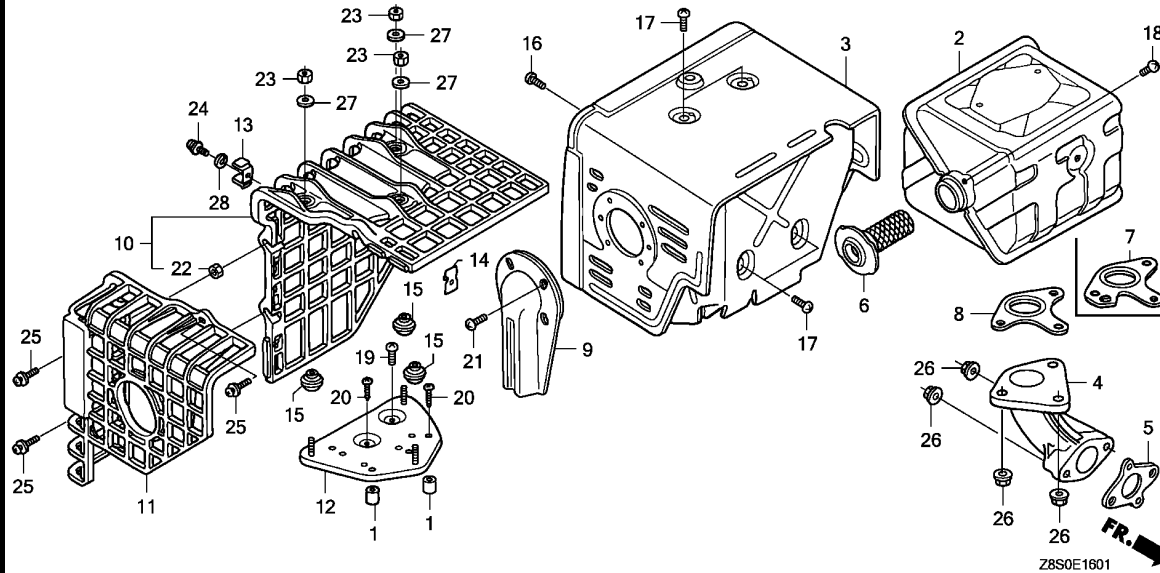


Ref. No.	Part No.	Description	Reqd. QTY				Serial No.	Parts catalogue code
			GX 240 UT1	GX 240 RT1	GX 240 UT2	GX 240 RT2		
16	18466-ZH8-W40	SPACER, MUFFLER COVER	(3)	-	-	-	LHE4,QHB2,QHB4,QHQ4,RHQ4	
17	90013-883-000	BOLT, FLANGE, 6X12(CT200)	1	1	-	-	HA2,PA2,QA2,QAE2,QAG2,QAR2,RA2,VTA2	
18	90050-ZE1-000	SCREW, TAPPING, 5X8	4	4	-	-	HA2,LHE4,PA2,QA2,QAE2,QAG2,QAR2,QHB2,QHB4,QHQ4,RA2,RHQ4,VTA2,WKT2	
19	90050-ZE1-000	SCREW, TAPPING, 5X8	2	2	-	-	HA2,PA2,QA2,QAE2,QAG2,QAR2,RA2,VTA2	
20	90055-ZE1-000	SCREW, TAPPING, 4X6	(1)	(1)	-	-	HA2,LHE4,PA2,QA2,QAE2,QAG2,QAR2,QHB2,QHB4,QHQ4,RA2,RHQ4,VMT2,VTA2,WKT2	
	90050-ZE1-000	SCREW, TAPPING, 5X8	1	1	-	-	QA2,QAE2,QAG2,QAR2,QHB2,QHB4,VTA2,WKT2	
21	90050-ZE1-000	SCREW, TAPPING, 5X8	(1)	-	-	-	LHE4,QHB2,QHB4,QHQ4,RHQ4	
22	90050-ZH8-W40	SCREW, TAPPING, 5X25	(2)	-	-	-	LHE4,QHB2,QHB4,QHQ4,RHQ4	
23	90055-ZE1-000	SCREW, TAPPING, 4X6	3	3	-	-	HA2,PA2,QA2,QAE2,QAG2,QAR2,RA2,VTA2	
24	90301-782-000	NUT, U, 6MM	(3)	-	-	-	LHE4,QHB2,QHB4,QHQ4,RHQ4	
25	90302-KF9-900	NUT, HEX., 5MM	(3)	-	-	-	LHE4,QHB2,QHB4,QHQ4,RHQ4	
26	93891-05012-00	SCREW-WASHER, 5X12	(1)	-	-	-	LHE4,QHB2,QHB4,QHQ4,RHQ4	
27	93891-06020-07	SCREW-WASHER, 6X20	(3)	-	-	-	LHE4,QHB2,QHB4,QHQ4,RHQ4	
28	94050-08000	NUT, FLANGE, 8MM	5	5	-	-	HA2,LHE4,PA2,QA2,QAE2,QAG2,QAR2,QHB2,QHB4,QHQ4,RA2,RHQ4,VTA2,WKT2	
29	94103-05700	WASHER, PLAIN, 5MM	(3)	-	-	-	LHE4,QHB2,QHB4,QHQ4,RHQ4	
30	94111-05000	WASHER, SPRING, 5MM	(1)	-	-	-	LHE4,QHB2,QHB4,QHQ4,RHQ4	

# E-16-1

# MUFFLER(2)

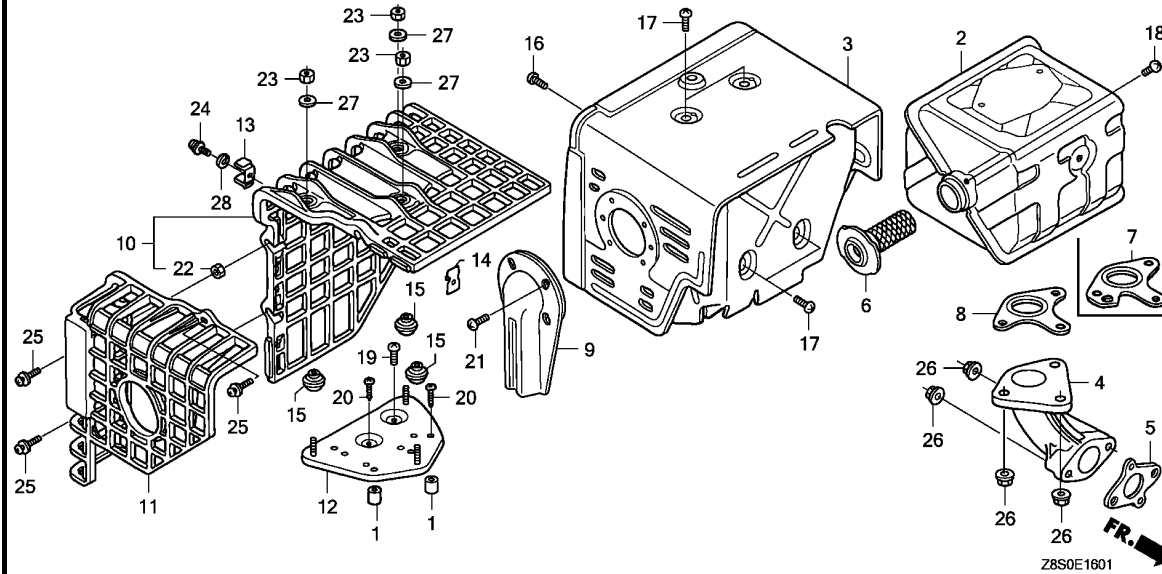
F 8



Ref. No.	L.O.N.	(Relative ref. Number) Description	F.R.T.
2	3131C5	MUFFLER, EXHAUST .....	0.2
3	3131D6	PROTECTOR, EXHAUST MUFFLER ...	0.2
4	3131C9	PIPE, EXHAUST .....	0.2
5	3131B5	GASKET, EXHAUST PIPE .....	0.2
6	3131A1	ARRESTER, SPARK .....	0.2
		.INCLUDES: Spark arrester check (7)	
8	3131B4	GASKET, EXHAUST MUFFLER .....	0.2
10	3131A7	COVER, EXHAUST MUFFLER .....	0.1
11	3131A6	COVER, EXHAUST MUFFLER :REAR ..	0.1
12	3131A2	BASE, EXHAUST MUFFLER COVER ..	0.2

Ref. No.	Part No.	Description	Reqd. QTY				Serial No.	Parts catalogue code
			GX 240 UT1	GX 240 RT1	GX 240 UT2	GX 240 RT2		
1	17233-896-701	COLLAR, AIR CLEANER CASE ....	(2)	-	-	-	LXQ4, QXB7, QXB9, QXE4, QXQ4, SXE4, SXQ4, VXB7, VXB9, VXQ4	
2	18310-ZE2-W61	MUFFLER COMP.(100DB) .....	1	-	-	-	LX2, LXQ4, QXB7, QXC9, QXE4, QXQ4, QXU, SXE4, SXQ4, SXU, VXB7, VXQ4	
	18310-ZK6-880	MUFFLER COMP. ....	1	-	-	-	QXB9, VXB9	
3	18320-ZE2-W61	PROTECTOR COMP., MUFFLER ....	1	-	-	-	LX2, LXQ4, QXB7, QXC9, QXE4, QXQ4, QXU, SXE4, SXQ4, SXU, VXB7, VXQ4	
	18320-ZF6-W01	PROTECTOR COMP., MUFFLER (100DB)	1	-	-	-	QXB9, VXB9	
4	18330-ZH9-N00	PIPE, EX. ....	1	-	-	-	LX2, LXQ4, QXB7, QXB9, QXC9, QXE4, QXQ4, QXU, SXE4, SXQ4, SXU, VXB7, VXB9, VXQ4	
5	18333-ZF6-W01	GASKET, EX. PIPE .....	1	-	-	-	LX2, LXQ4, QXB7, QXB9, QXC9, QXE4, QXQ4, QXU, SXE4, SXQ4, SXU, VXB7, VXB9, VXQ4	
6	18355-ZE2-010	ARRESTER, SPARK .....	(1)	-	-	-	LX2, LXQ4, QXB7, QXC9, QXE4, QXQ4, QXU, SXE4, SXQ4, SXU, VXB7, VXQ4	
	18355-ZE2-W00	.....	1	-	-	-	QXB7, QXB9, VXB7, VXB9	
7	18381-Z8S-801	GASKET, MUFFLER (ARRESTER) (THAI LEAKLESS)	(1)	-	-	-	LX2, LXQ4, QXC9, QXE4, QXQ4, QXU, SXE4, SXQ4, SXU, VXQ4	
	18381-ZE2-W10	GASKET, MUFFLER (ARRESTER) (NIPPON LEAKLESS)	(1)	-	-	-	LX2, LXQ4, QXC9, QXE4, QXQ4, QXU, SXE4, SXQ4, SXU, VXQ4	
	18381-Z8S-801	GASKET, MUFFLER (ARRESTER) (THAI LEAKLESS)	1	-	-	-	QXB7, QXB9, VXB7, VXB9	
	18381-ZE2-W10	GASKET, MUFFLER (ARRESTER) (NIPPON LEAKLESS)	1	-	-	-	QXB7, QXB9, VXB7, VXB9	
8	18381-Z1C-801	GASKET, MUFFLER (THAI LEAKLESS)	1	-	-	-	LX2, LXQ4, QXC9, QXE4, QXQ4, QXU, SXE4, SXQ4, SXU, VXQ4	
	18381-ZE2-800	GASKET, MUFFLER (NIPPON LEAKLESS)	1	-	-	-	LX2, LXQ4, QXC9, QXE4, QXQ4, QXU, SXE4, SXQ4, SXU, VXQ4	
9	18430-ZK9-W50	DEFLECTOR COMP., MUFFLER ....	(1)	-	-	-	LXQ4, QXB7, QXB9, QXQ4, SXQ4	
10	18433-ZF6-W40	COVER COMP., MUFFLER .....	(1)	-	-	-	LXQ4, QXB7, QXB9, QXE4, QXQ4, SXE4, SXQ4, VXB7, VXB9, VXQ4	
11	18434-ZF6-W40	COVER COMP., RR. MUFFLER ....	(1)	-	-	-	LXQ4, QXB7, QXB9, QXE4, QXQ4, SXE4, SXQ4, VXB7, VXB9, VXQ4	
12	18436-ZH8-W40	BASE COMP., MUFFLER COVER ...	(1)	-	-	-	LXQ4, QXB7, QXB9, QXE4, QXQ4, SXE4, SXQ4, VXB7, VXB9, VXQ4	



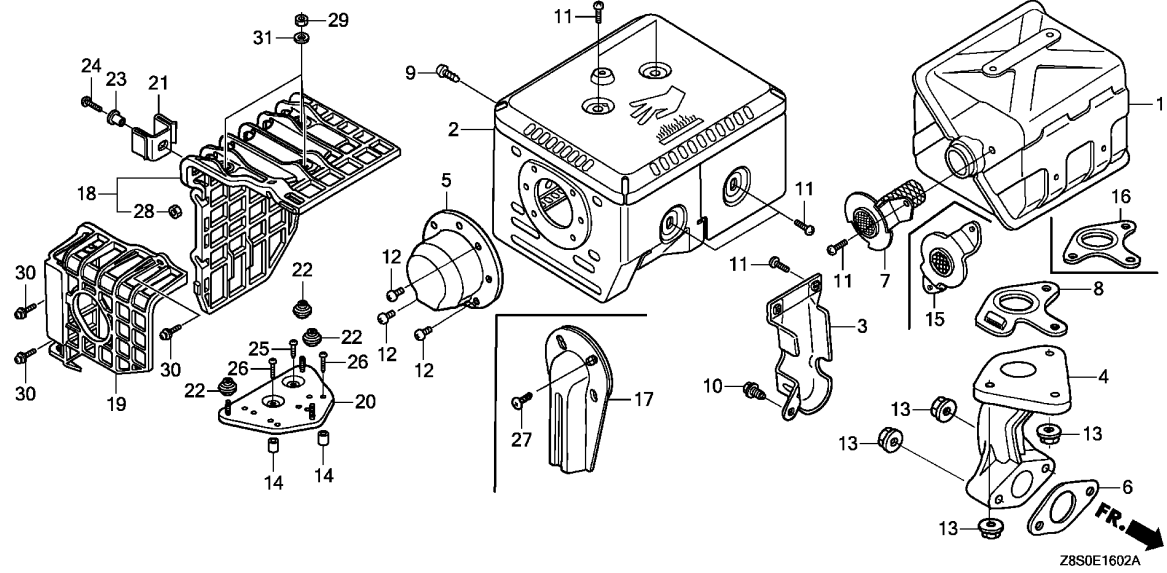


Ref. No.	Part No.	Description	Reqd. QTY				Serial No.	Parts catalogue code
			GX 240 UT1	GX 240 RT1	GX 240 UT2	GX 240 RT2		
13	18437-ZF6-W40	STAY, MUFFLER COVER	(1)	-	-	-	LXQ4, QXB7, QXB9, QXE4, QXQ4, SXE4, SXQ4, VXB7, VXB9, VXQ4	
14	18438-ZF6-W40	PLATE, SET	(1)	-	-	-	LXQ4, QXB7, QXB9, QXE4, QXQ4, SXE4, SXQ4, VXB7, VXB9, VXQ4	
15	18466-ZH8-W40	SPACER, MUFFLER COVER	(3)	-	-	-	LXQ4, QXB7, QXB9, QXE4, QXQ4, SXE4, SXQ4, VXB7, VXB9, VXQ4	
16	90006-ZE2-000	SCREW, TAPPING, 6X10	1	-	-	-	LX2, LXQ4, QXB7, QXB9, QXC9, QXE4, QXQ4, QXU, SXE4, SXQ4, SXU, VXB7, VXB9, VXQ4	
17	90050-ZE1-000	SCREW, TAPPING, 5X8	4	-	-	-	LX2, LXQ4, QXB7, QXB9, QXC9, QXE4, QXQ4, QXU, SXE4, SXQ4, SXU, VXB7, VXB9, VXQ4	
18	90055-ZE1-000	SCREW, TAPPING, 4X6	(1)	-	-	-	LX2, LXQ4, QXB7, QXC9, QXE4, QXQ4, QXU, SXE4, SXQ4, SXU, VXB7, VXQ4	
	90050-ZE1-000	SCREW, TAPPING, 5X8	1	-	-	-	QXB7, QXB9, VXB7, VXB9	
19	90050-ZE1-000	SCREW, TAPPING, 5X8	(1)	-	-	-	LXQ4, QXB7, QXB9, QXE4, QXQ4, SXE4, SXQ4, VXB7, VXB9, VXQ4	
20	90050-ZH8-W40	SCREW, TAPPING, 5X25	(2)	-	-	-	LXQ4, QXB7, QXB9, QXE4, QXQ4, SXE4, SXQ4, VXB7, VXB9, VXQ4	
21	90055-ZE1-000	SCREW, TAPPING, 4X6	(2)	-	-	-	LXQ4, QXB7, QXB9, QXQ4, SXQ4	
22	90301-782-000	NUT, U, 6MM	(3)	-	-	-	LXQ4, QXB7, QXB9, QXE4, QXQ4, SXE4, SXQ4, VXB7, VXB9, VXQ4	
23	90302-KF9-900	NUT, HEX., 5MM	(3)	-	-	-	LXQ4, QXB7, QXB9, QXE4, QXQ4, SXE4, SXQ4, VXB7, VXB9, VXQ4	
24	93891-05012-00	SCREW-WASHER, 5X12	(1)	-	-	-	LXQ4, QXB7, QXB9, QXE4, QXQ4, SXE4, SXQ4, VXB7, VXB9, VXQ4	
25	93891-06020-07	SCREW-WASHER, 6X20	(3)	-	-	-	LXQ4, QXB7, QXB9, QXE4, QXQ4, SXE4, SXQ4, VXB7, VXB9, VXQ4	
26	94050-08000	NUT, FLANGE, 8MM	5	-	-	-	LX2, LXQ4, QXB7, QXB9, QXC9, QXE4, QXQ4, QXU, SXE4, SXQ4, SXU, VXB7, VXB9, VXQ4	
27	94103-05700	WASHER, PLAIN, 5MM	(3)	-	-	-	LXQ4, QXB7, QXB9, QXE4, QXQ4, SXE4, SXQ4, VXB7, VXB9, VXQ4	
28	94111-05000	WASHER, SPRING, 5MM	(1)	-	-	-	LXQ4, QXB7, QXB9, QXE4, QXQ4, SXE4, SXQ4, VXB7, VXB9, VXQ4	

E-16-2

MUFFLER(3)

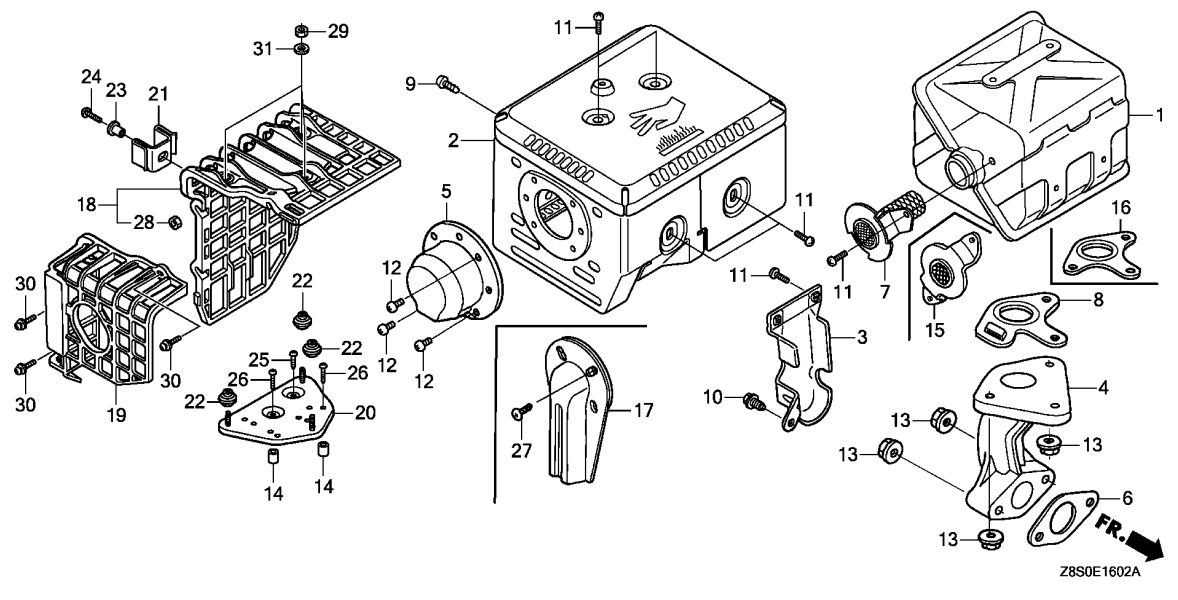
F10



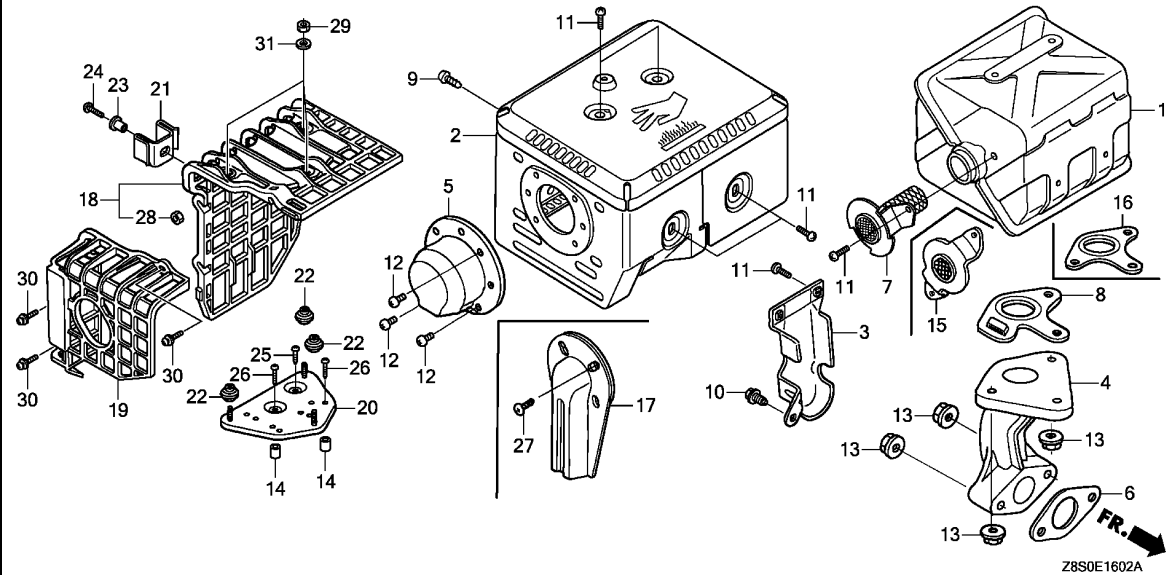
Ref. No.	L.O.N.	(Relative ref. Number) Description	F.R.T.
1	3131C5	MUFFLER, EXHAUST .....	0.2
2	3131D6	PROTECTOR, EXHAUST MUFFLER ...	0.2
4	3131C9	PIPE, EXHAUST .....	0.2
6	3131B5	GASKET, EXHAUST PIPE .....	0.2
7	3131A1	ARRESTER, SPARK .....	0.2
		.INCLUDES: Spark arrester check (16)	
8	3131B4	GASKET, EXHAUST MUFFLER .....	0.2
15	3131G5	FLANGE, EXHAUST BAFFLE .....	0.2
18	3131A7	COVER, EXHAUST MUFFLER .....	0.1
19	3131A6	COVER, EXHAUST MUFFLER :REAR ..	0.1
20	3131A2	BASE, EXHAUST MUFFLER COVER ..	0.2

Ref. No.	Part No.	Description	Reqd. QTY				Serial No.	Parts catalogue code
			GX 240 UT1	GX 240 RT1	GX 240 UT2	GX 240 RT2		
1	18310-Z5K-000	MUFFLER COMP. ....	-	-	1	-		
2	18320-Z5K-000	PROTECTOR COMP., MUFFLER ....	-	-	1	-	HA2,LX2,LXQ4,PA2,QA2,QAE2,QAG2,QAR2,QHB2,QHB4,QHQ4,QXB7,QXE4,QXQ4,QXU,QZA2,QZAV,QZX4,RA2,SXE4, SXQ4,VXB7,WKT2	
	18320-Z5K-800	PROTECTOR COMP., MUFFLER (100DB)	-	-	1	-	QXB9,VXB9	
3	18323-ZE2-W00	PROTECTOR, EX. PIPE .....	-	-	1	-	HA2,PA2,QA2,QAE2,QAG2,QAR2,QZA2,QZAV,RA2	
4	18331-Z5T-000	PIPE, EX. ....	-	-	1	-		
5	18331-ZE3-811	CAP, MUFFLER .....	-	-	1	-	HA2,PA2,QAG2,QAR2,QZAV,RA2	
	18331-ZE2-810	.....	-	-	1	-	QA2,QAE2,QZA2	
6	18333-Z1C-801	GASKET, EX. PIPE .....	-	-	1	-		
7	18350-Z5T-800	ARRESTER COMP., SPARK .....	-	-	(1)	(1)	HA2,LX2,LXQ4,PA2,QHQ4,QXE4,QXQ4,QXU,QZX4,RA2,SXE4, SXQ4,VMT2	
			-	-	1	-	QA2,QAE2,QAG2,QAR2,QHB2,QHB4,QXB7,QXB9,QZA2,QZAV,VXB7,VXB9,WKT2	
8	18381-ZE2-W10	GASKET, MUFFLER (ARRESTER) (NIPPON LEAKLESS)	-	-	(1)	(1)	HA2,LX2,LXQ4,PA2,QHQ4,QXE4,QXQ4,QXU,QZX4,RA2,SXE4, SXQ4,VMT2	
	18381-Z8S-801	GASKET, MUFFLER (ARRESTER) (THAI LEAKLESS)	-	-	1	-	QA2,QAE2,QAG2,QAR2,QHB2,QHB4,QXB7,QXB9,QZA2,QZAV,VXB7,VXB9,WKT2	
	18381-ZE2-W10	GASKET, MUFFLER (ARRESTER) (NIPPON LEAKLESS)	-	-	1	-	QA2,QAE2,QAG2,QAR2,QHB2,QHB4,QXB7,QXB9,QZA2,QZAV,VXB7,VXB9,WKT2	
9	90006-ZE2-000	SCREW, TAPPING, 6X10 .....	-	-	1	-		
10	90013-883-000	BOLT, FLANGE, 6X12(CT200) ...	-	-	1	-	HA2,PA2,QA2,QAE2,QAG2,QAR2,QZA2,QZAV,RA2	
11	90050-ZE1-000	SCREW, TAPPING, 5X8 .....	-	-	8	-	HA2,PA2,QA2,QAE2,QAG2,QAR2,QZA2,QZAV,RA2	
			-	-	6	-	LX2,LXQ4,QHB2,QHB4,QHQ4,QXB7,QXB9,QXE4,QXQ4,QXU,QZX4,SXE4, SXQ4,VXB7,VXB9,WKT2	
			-	-	-	(2)		





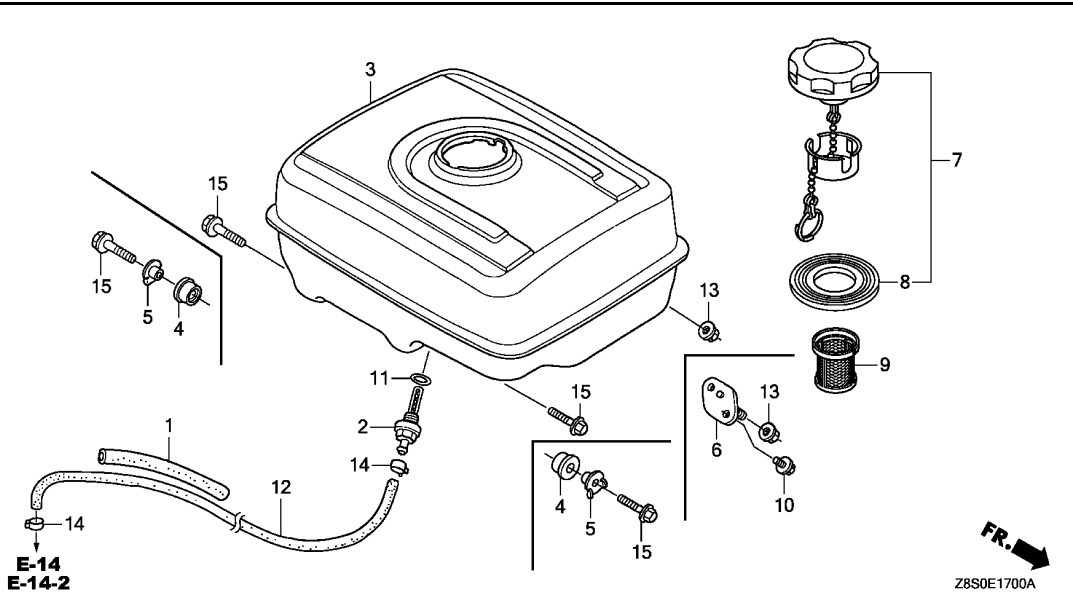
Ref. No.	Part No.	Description	Reqd. QTY				Serial No.	Parts catalogue code
			GX 240 UT1	GX 240 RT1	GX 240 UT2	GX 240 RT2		
12	90055-ZE1-000	SCREW, TAPPING, 4X6	-	-	3	-	HA2,PA2,QA2,QAE2,QAG2,QAR2,QZA2,QZAV,RA2	
13	94050-08000	NUT, FLANGE, 8MM	-	-	5	-		
14	17233-896-701	COLLAR, AIR CLEANER CASE	-	-	(2)	-	LXQ4,QHB2,QHB4,QHQ4,QXB7,QXB9,QXE4,QXQ4,QZX4,SXE4, SXQ4, VXB7 VXB9	
15	18336-ZE3-000	FLANGE COMP., BAFFLE	-	-	1	-	HA2,LX2,LXQ4,PA2,QHQ4,QXE4,QXQ4,QXU,QZX4,RA2,SXE4, SXQ4	
16	18381-Z1C-801 18381-ZE2-801	GASKET, MUFFLER(THAI LEAKLESS) GASKET, MUFFLER (NIPPON LEAKLESS)	-	-	1	-	HA2,LX2,LXQ4,PA2,QHQ4,QXE4,QXQ4,QXU,QZX4,RA2,SXE4, SXQ4	
17	18430-ZF6-W50	DEFLECTOR COMP., MUFFLER	-	-	(1)	-	LXQ4,QXB7,QXB9,QXQ4, SXQ4	
18	18433-ZK9-W41	COVER COMP., MUFFLER	-	-	(1)	-	LXQ4,QHB2,QHB4,QHQ4,QXB7,QXB9,QXE4,QXQ4,QZX4,SXE4, SXQ4, VXB7 VXB9	
19	18434-ZK9-W41	COVER COMP., RR. MUFFLER	-	-	(1)	-	LXQ4,QHB2,QHB4,QHQ4,QXB7,QXB9,QXE4,QXQ4,QZX4,SXE4, SXQ4, VXB7 VXB9	
20	18436-ZH8-W40	BASE COMP., MUFFLER COVER	-	-	(1)	-	LXQ4,QHB2,QHB4,QHQ4,QXB7,QXB9,QXE4,QXQ4,QZX4,SXE4, SXQ4, VXB7 VXB9	
21	18437-Z5T-000	STAY, MUFFLER COVER	-	-	(1)	-	LXQ4,QHB2,QHB4,QHQ4,QXB7,QXB9,QXE4,QXQ4,QZX4,SXE4, SXQ4, VXB7 VXB9	
22	18466-ZH8-W40	SPACER, MUFFLER COVER	-	-	(3)	-	LXQ4,QHB2,QHB4,QHQ4,QXB7,QXB9,QXE4,QXQ4,QZX4,SXE4, SXQ4, VXB7 VXB9	
23	19619-ZL8-300	COLLAR, FAN COVER	-	-	(1)	-	LXQ4,QHB2,QHB4,QHQ4,QXB7,QXB9,QXE4,QXQ4,QZX4,SXE4, SXQ4, VXB7 VXB9	
24	90006-Z5T-000	SCREW, TAPPING, 6X25	-	-	(1)	-	LXQ4,QHB2,QHB4,QHQ4,QXB7,QXB9,QXE4,QXQ4,QZX4,SXE4, SXQ4, VXB7 VXB9	
25	90050-ZE1-000	SCREW, TAPPING, 5X8	-	-	(1)	-	LXQ4,QHB2,QHB4,QHQ4,QXB7,QXB9,QXE4,QXQ4,QZX4,SXE4, SXQ4, VXB7 VXB9	



Ref. No.	Part No.	Description	Reqd. QTY				Serial No.	Parts catalogue code
			GX 240 UT1	GX 240 RT1	GX 240 UT2	GX 240 RT2		
26	90050-ZH8-W40	SCREW, TAPPING, 5X25	-	-	(2)	-	LXQ4, QHB2, QHB4, QHQ4, QXB7, QXB9, QXE4, QXQ4, QZX4, SXE4, SXQ4, VXB7 VXB9	
27	90055-ZE1-000	SCREW, TAPPING, 4X6	-	-	(2)	-	LXQ4, QXB7, QXB9, QXQ4, SXQ4	
28	90301-782-000	NUT, U, 6MM	-	-	(3)	-	LXQ4, QHB2, QHB4, QHQ4, QXB7, QXB9, QXE4, QXQ4, QZX4, SXE4, SXQ4, VXB7 VXB9	
29	90302-KF9-900	NUT, HEX., 5MM	-	-	(3)	-	LXQ4, QHB2, QHB4, QHQ4, QXB7, QXB9, QXE4, QXQ4, QZX4, SXE4, SXQ4, VXB7 VXB9	
30	93891-06020-07	SCREW-WASHER, 6X20	-	-	(3)	-	LXQ4, QHB2, QHB4, QHQ4, QXB7, QXB9, QXE4, QXQ4, QZX4, SXE4, SXQ4, VXB7 VXB9	
31	94103-05700	WASHER, PLAIN, 5MM	-	-	(3)	-	LXQ4, QHB2, QHB4, QHQ4, QXB7, QXB9, QXE4, QXQ4, QZX4, SXE4, SXQ4, VXB7 VXB9	



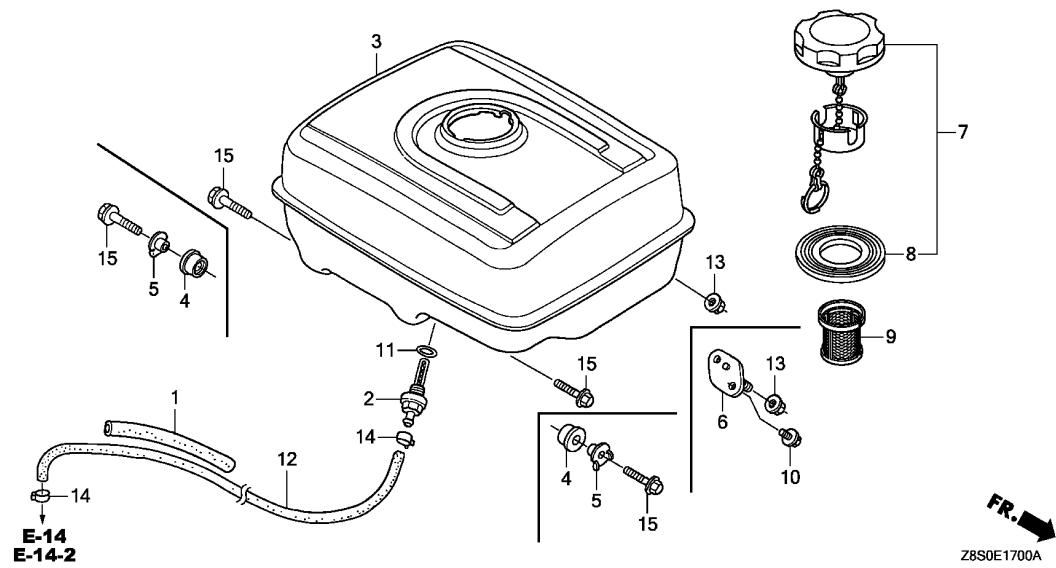




Ref. No.	L.O.N.	(Relative ref. Number) Description	F.R.T.
2		(11) JOINT, FUEL STRAINER .....	0.2
3		3101H7 TANK, FUEL .....	0.2
4		3101M3 RUBBER A, TANK MOUNTING .....	0.2
6		3101D2 RUBBER, TANK MOUNTING(A) .....	0.2
9		3101A6 FILTER, FUEL .....	0.1

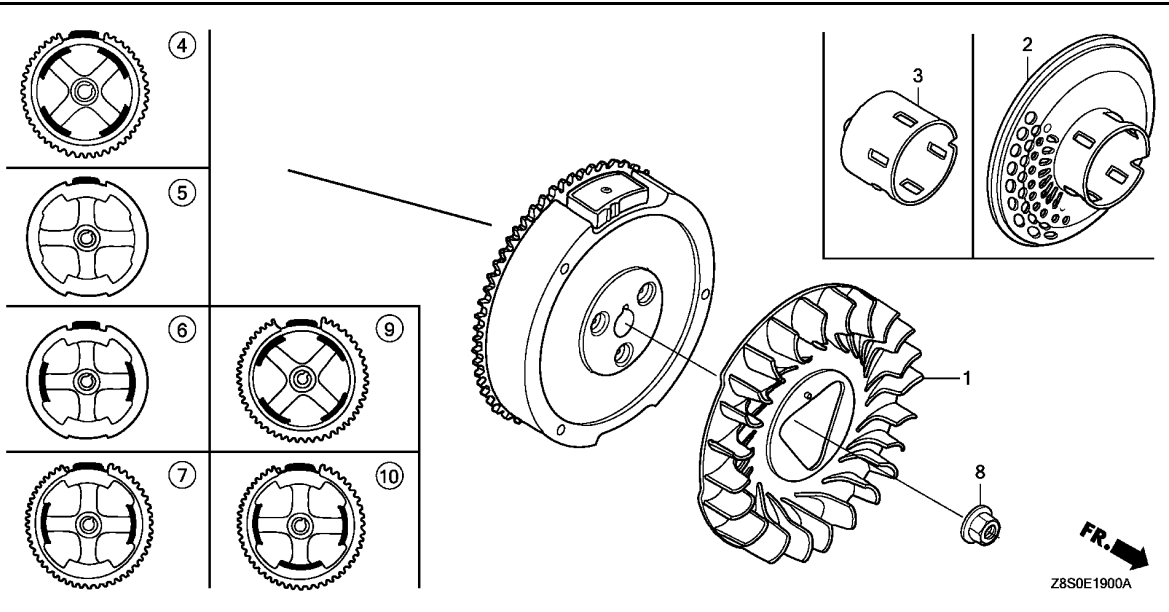
FR. →  
ZBS0E1700A

Ref. No.	Part No.	Description	Reqd. QTY				Serial No.	Parts catalogue code
			GX 240 UT1	GX 240 RT1	GX 240 UT2	GX 240 RT2		
1	16854-ZH8-000	RUBBER, SUPPORTER(107MM) .....	1	-	1	-	HA2,LHE4,LX2,LXQ4,PA2,QA2,QAE2,QAG2,QAR2,QHB2,QHB4,QHQ4,QXB7,QXB9,QXC9,QXE4,QXQ4,QXU,QZA2,RA2,RHQ4,SXE4,SXQ4,SXU,VXB7,VXB9,VXQ4,WKT2	
	16854-Z5K-000	RUBBER, SUPPORTER .....	-	-	1	-	QZAV,QZX4	
2	16955-ZE1-000	JOINT, FUEL TANK .....	1	-	-	-		
	16955-ZE1-010	.....	-	-	1	-		
3	17510-ZE2-801ZC	TANK COMP., FUEL *NH31*.....MCKINLEY WHITE	1	-	-	-	HA2,LHE4,LX2,LXQ4,PA2,QA2,QAE2,QAG2,QAR2,QHB2,QHB4,QHQ4,QXB7,QXB9,QXC9,QXE4,QXQ4,QXU,RA2,RHQ4,SXE4,SXQ4,SXU,VXB7,VXQ4,WKT2	
	17510-ZE2-801ZA	*NH1*.....BLACK	1	-	-	-	HA2,LX2,PA2,QA2,QAE2,QAR2,QXC9,RA2,SXU,VXB7,VXQ4,WKT2	
	17510-ZE2-801ZB	*NH105*...MAT BLACK (#15-#20)	1	-	-	-	VXB7	
	17510-Z8S-880ZA	*NH1*.....BLACK	1	-	-	-	VXB9	
	17510-Z8S-880ZB	*NH105*...MAT BLACK (#15-#20)	1	-	-	-	VXB9	
	17510-Z8S-880ZC	*NH31*.....MCKINLEY WHITE	1	-	-	-	VXB9	
	17510-Z5K-000ZB	*NH31*.....MCKINLEY WHITE	-	-	1	-	HA2,LX2,LXQ4,PA2,QA2,QAE2,QAG2,QAR2,QHB2,QHB4,QHQ4,QXB7,QXB9,QXE4,QXQ4,QXU,QZA2,QZAV,QZX4,RA2,SXE4,SXQ4,VXB7,WKT2	
	17510-Z5K-000ZA	*NH1*.....BLACK	-	-	1	-	HA2,LX2,PA2,QA2,QAE2,QAR2,QZA2,QZAV,RA2,VXB7,WKT2	
	17510-Z5K-000ZD	*R280K*.....POWER RED	-	-	1	-	QA2,QAE2	
	17510-Z5K-000ZE	*R280*.....POWER RED	-	-	1	-	QZA2	
	17510-Z5K-800	TANK ASSY., FUEL .....	-	-	1	-	VXB9	
4	17532-ZK6-881	RUBBER A, TANK MOUNTING .....	2	-	2	-	VXB9	
5	17534-ZK6-881	NUT, TANK MOUNTING .....	2	-	2	-	VXB9	
6	17536-ZK6-880	RUBBER COMP., TANK MOUNTING .....	2	-	2	-	VXB9	
7	17620-Z4H-020	CAP COMP., FUEL FILLER .....	1	-	1	-		
8	17631-Z0T-801	PACKING, FUEL FILLER CAP (39X62X3)(RADICON)	1	-	1	-		
9	17672-Z4H-000	FILTER, FUEL .....	1	-	1	-	HA2,PA2,QA2,QAE2,QAG2,QAR2,QZA2,QZAV,RA2,WKT2	
10	90008-ZE2-003	BOLT, FLANGE, 6X10 .....	4	-	4	-	VXB9	



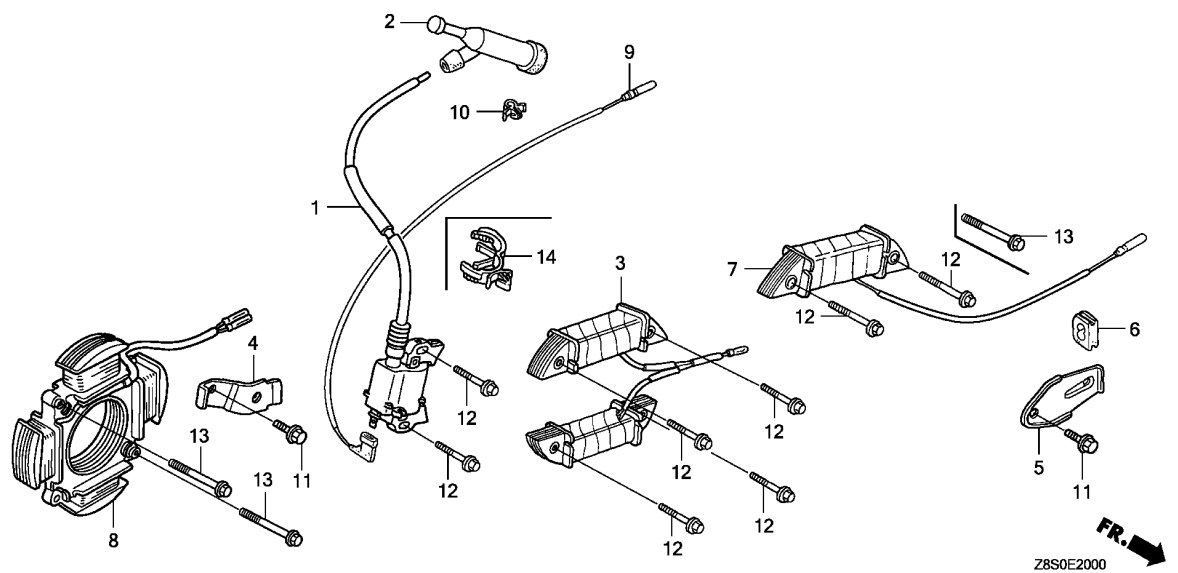
Ref. No.	Part No.	Description	Reqd. QTY				Serial No.	Parts catalogue code
			GX 240 UT1	GX 240 RT1	GX 240 UT2	GX 240 RT2		
11	91353-671-004	O-RING, 14MM(NOK)	1	-	1	-		
12	91424-Z5F-802	TUBE, FUEL, 4.5X222(FKM)	1	-	-	-		
	91424-Z5K-003	TUBE, FUEL, 4.5X210(FKM)	-	-	1	-		
13	94050-08000	NUT, FLANGE, 8MM	2	-	2	-		
14	95002-40800-08	CLAMP, TUBE(D8)	2	-	2	-		
15	95701-08025-00	BOLT, FLANGE, 8X25	2	-	2	-		





Ref. No.	L.O.N.	(Relative ref. Number) Description	F.R.T.
1	1141G7	FAN, ENGINE COOLING .....	0.2
	1141G7D	.iGX type add .....	0.2
2		(3)	
	1121A9	PULLEY, RECOIL STARTER .....	0.2
	1121A9C	.iGX type add .....	0.2
4		(5,6,7,9,10)	
	2161B5	FLYWHEEL .....	0.3
	2161B5D	.iGX type add .....	0.2

Ref. No.	Part No.	Description	Reqd. QTY				Serial No.	Parts catalogue code
			GX 240 UT1	GX 240 RT1	GX 240 UT2	GX 240 RT2		
1	19511-ZE2-000	FAN, COOLING .....	1	1	1	1		
2	28450-ZE2-W11	PULLEY COMP., STARTER (SCREEN GRID) .....	1	1	1	-	HA2,LHE4,LX2,LXQ4,PA2,QA2,QAE2,QAG2,QAR2,QHB2,QHB4,QHQ4,QXB7,QXB9,QXC9,QXE4,QXQ4,QXU,QZA2,QZAV,QZX4,RA2,RHQ4,SXE4,SXQ4,SXU,VTA2,VXB7,VXB9,VXQ4	
3	28451-ZE2-W01	PULLEY, STARTER .....	1	1	1	1	VMT2,WKT2	
4	31100-ZE2-832	FLYWHEEL COMP.(4POLE) .....	1	-	-	-	QAE2	
	31100-ZE2-W11	FLYWHEEL COMP.(SEL-18A) .....	1	-	-	-	QAR2	
5	31100-ZE2-010	FLYWHEEL COMP. ....	1	1	-	-	HA2,LX2,LXQ4,PA2,QA2,QHB2,QHB4,QHQ4,QXB7,QXB9,QXC9,QXQ4,QXU,RA2,RHQ4,SXQ4,SXU,VMT2,VTA2,VXB7,VXB9,VXQ4,WKT2	
	31110-Z5K-000	.....	-	-	1	1	HA2,LX2,LXQ4,PA2,QA2,QHB2,QHB4,QHQ4,QXB7,QXB9,QXQ4,QXU,RA2,SXQ4,VMT2,VXB7,VXB9,WKT2	
6	31100-ZE2-812	FLYWHEEL COMP.(LAMP) .....	1	-	-	-	QAG2	
	31110-Z5K-810	.....	-	-	1	-	QAG2	
7	31100-ZE2-822	FLYWHEEL COMP.(STARTER MOTOR) .....	1	-	-	-	LHE4,QXE4,SXE4	
	31110-Z5K-820	.....	-	-	1	-	QXE4,SXE4	
8	90201-ZE3-790	NUT, SPECIAL, 16MM .....	1	1	1	1		
9	31110-Z5K-840	FLYWHEEL COMP.(SEL-4POLE) .....	-	-	1	-	QAE2	
	31110-Z5K-860	FLYWHEEL COMP.(SEL-18A) .....	-	-	1	-	QAR2	
10	31110-Z5K-W00	FLYWHEEL COMP.(SEL) .....	-	-	1	-	QZA2,QZAV,QZX4	



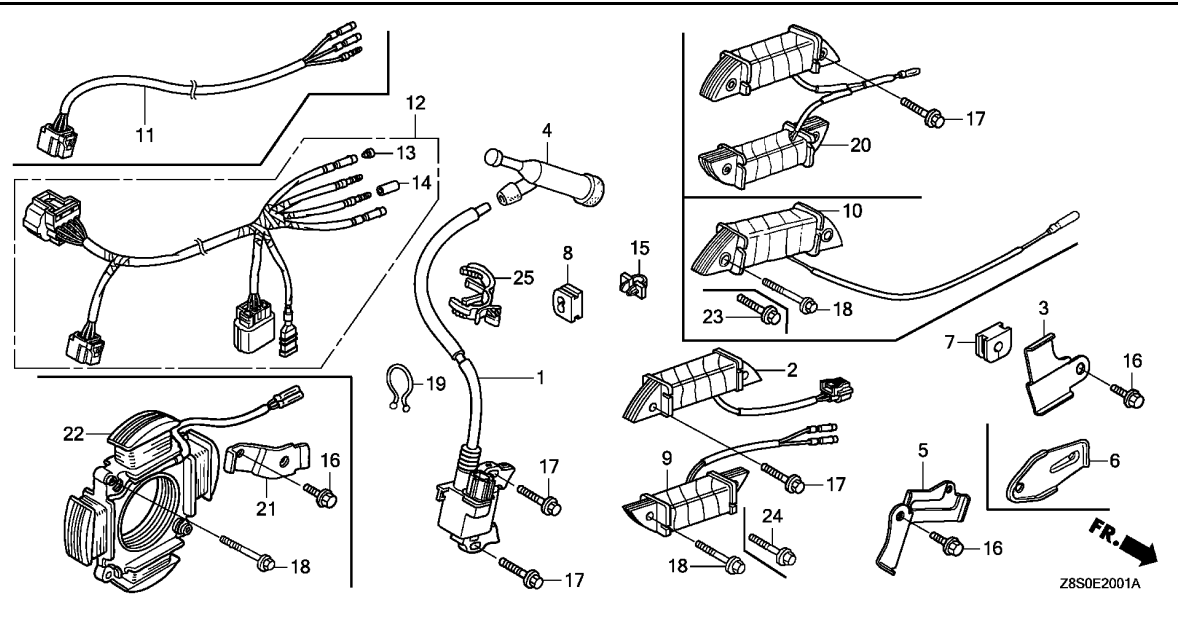
Ref. No.	L.O.N.	(Relative ref. Number) Description	F.R.T.
1	6141A5	COIL, IGNITION(ONE) .....	0.3
2	6141B8	TERMINAL, HIGH TENSION .....	0.1
3	6141A6	COIL, LAMP .....	0.4
7		(8)	
	6131C3	COIL, CHARGE .....	0.4
9	6111B3	CORD, STOP SWITCH .....	0.3

Ref. No.	Part No.	Description	Reqd. QTY				Serial No.	Parts catalogue code
			GX 240 UT1	GX 240 RT1	GX 240 UT2	GX 240 RT2		
1	30500-Z1C-023	COIL ASSY., IGNITION .....	1	1	-	-		
2	30700-Z1C-811	CAP ASSY., NOISE SUPPRESSOR						
		(NGK Y-EZD)	1	1	-	-		
3	31510-ZE2-811	COIL ASSY., LAMP(12V/50W) ...	1	-	-	-	QAG2	
4	31511-ZE2-W00	CLAMPER, CORD .....	1	-	-	-	QAR2	
5	31511-ZE2-000	CLAMPER, CORD .....	1	-	-	-	LHE4,QAE2,QAG2,QXE4,SXE4	
6	31512-ZE2-000	GROMMET, CORD .....	1	1	-	-		
7	31630-ZE1-013	COIL ASSY., CHARGE(1A) .....	1	-	-	-	LHE4,QXE4,SXE4	
	31630-ZE2-842	COIL ASSY., CHARGE(3A) .....	1	-	-	-	QAE2	
8	31630-ZE2-W01	COIL ASSY., CHARGE(12V/18A) ..	1	-	-	-	QAR2	
9	36101-ZE1-010	CORD, STOP SWITCH(370MM) ....	1	1	-	-		
10	36103-ZE1-000	HOLDER, STOP SWITCH CORD ....	1	-	-	-	LHE4,QAE2,QAR2,QHB2,QHB4,QHQ4,QXE4,RHQ4,SXE4	
11	90013-883-000	BOLT, FLANGE, 6X12(CT200) ...	1	-	-	-	LHE4,QAE2,QAG2,QAR2,QXE4,SXE4	
12	90015-883-000	BOLT, FLANGE, 6X28(CT200) ...	2	2	-	-	HA2,LX2,LXQ4,PA2,QA2,QAE2,QAR2,QHB2,QHB4,QHQ4,QXB7,QXB9,QXC9,QXQ4,QXU,RA2,RHQ4, SXQ4, SXU, VMT2, VTA2, VXB7, VXB9, VXQ4, WKT2	
			4	-	-	-	LHE4,QXE4,SXE4	
			6	-	-	-	QAG2	
13	90017-883-000	BOLT, FLANGE, 6X32(CT200) ...	2	-	-	-	QAE2	
			4	-	-	-	QAR2	
14	90684-ZA0-601	CLIP, HARNESS .....	1	1	-	-	HA2,LX2,LXQ4,PA2,QA2,QAG2,QXB7,QXB9,QXC9,QXQ4,QXU,RA2, SXQ4, SXU, VMT2, VTA2, VXB7, VXB9, VXQ4, WKT2	



# E-20-1

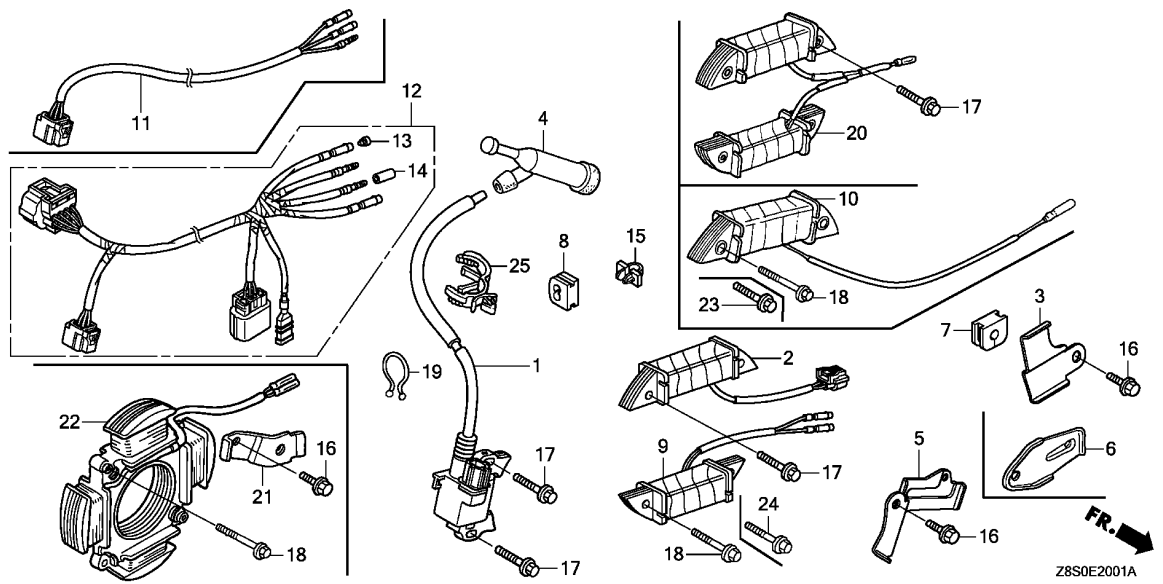
# IGNITION COIL(2)



Ref. No.	L.O.N.	(Relative ref. Number) Description	F.R.T.
1	6141D2	COIL, IGNITION(A)	0.5
2	6141A9	COIL, POWER	0.7
4	6141B8	TERMINAL, HIGH TENSION	0.1
9	6131F3	COIL, CHARGE(A)	0.7
12	6111C0	HARNES, ENGINE WIRE	0.4
20	6141A6	COIL, LAMP	0.7

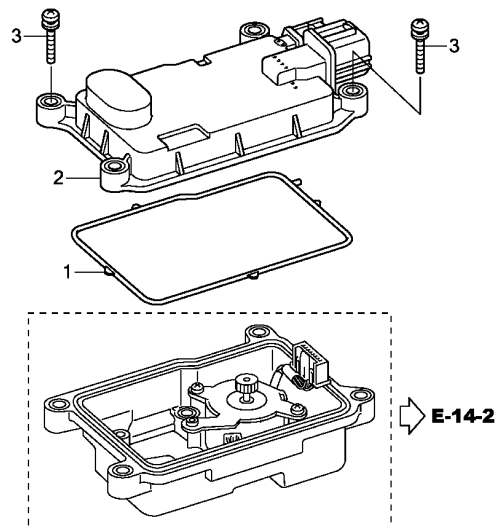


Ref. No.	Part No.	Description	Reqd. QTY				Serial No.	Parts catalogue code
			GX 240 UT1	GX 240 RT1	GX 240 UT2	GX 240 RT2		
1	30500-Z8S-003	COIL ASSY., IGNITION	-	-	1	1		
2	30595-Z5T-W01	COIL ASSY., POWER	-	-	1	-	QZA2,QZAV,QZX4	
3	30596-Z5T-W00	BRACKET B, HARNES	-	-	1	-	QZA2,QZAV,QZX4	
4	30700-Z1C-811	CAP ASSY., NOISE SUPPRESSOR (NGK Y-EZD)	-	-	1	1		
5	31511-Z5T-W00	CLAMPER, CORD	-	-	1	-	QZA2,QZAV,QZX4	
6	31511-ZE2-000	CLAMPER, CORD	-	-	1	-	QAE2,QAG2,QXE4,SXE4	
7	31512-Z5T-W00	GROMMET, CORD	-	-	1	-	QZA2,QZAV,QZX4	
8	31512-ZE2-000	GROMMET, CORD	-	-	1	1		
9	31630-Z5T-W11	COIL ASSY., CHARGE(2.9A)	-	-	1	-	QZA2,QZAV	
	31630-Z5T-W01	COIL ASSY., CHARGE(0.9A)	-	-	1	-	QZX4	
10	31630-ZE2-842	COIL ASSY., CHARGE(3A)	-	-	1	-	QAE2	
	31630-ZE1-013	COIL ASSY., CHARGE(1A)	-	-	1	-	QXE4,SXE4	
11	32110-Z5K-000	HARNES ASSY., ENGINE WIRE	-	-	1	1	HA2,LX2,LXQ4,PA2,QA2,QAG2,QXB7,QXB9,QXQ4,QXU,RA2,SXQ4,VMT2	
	32110-Z5K-810	HARNES ASSY., ENGINE WIRE (SEL)	-	-	1	-	VXB7,VXB9,WKT2	
	32110-Z5K-800	HARNES ASSY., ENGINE WIRE	-	-	1	-	QAE2,QAR2,QXE4,SXE4	
12	32110-Z5K-W00	HARNES ASSY., ENGINE WIRE	-	-	1	-	QHB2,QHB4,QHQ4	
	32110-Z5K-W10	HARNES ASSY., ENGINE WIRE	-	-	1	-	QZA2,QZX4	
	32823-ZV5-003	PLUG, INNER CONNECTOR	-	-	1	-	QZAV	
13	32823-ZV5-003	PLUG, INNER CONNECTOR	-	-	1	-	QZA2,QZAV,QZX4	
14	32824-ZV5-003	PLUG, OUTER CONNECTOR	-	-	1	-	QZA2,QZAV,QZX4	
15	36103-ZE1-000	HOLDER, STOP SWITCH CORD	-	-	1	-	QAE2,QAR2,QXE4,SXE4	
16	90013-883-000	BOLT, FLANGE, 6X12(CT200)	-	-	1	-	QAE2,QAG2,QAR2,QXE4,SXE4	
			-	-	2	-	QZA2,QZAV,QZX4	



Ref. No.	Part No.	Description	Reqd. QTY				Serial No.	Parts catalogue code
			GX 240 UT1	GX 240 RT1	GX 240 UT2	GX 240 RT2		
17	90015-883-000	BOLT, FLANGE, 6X28(CT200) ...	-	-	2	2	HA2, LX2, LXQ4, PA2, QA2, QAE2, QAR2, QHB2, QHB4, QHQ4, QXB7, QXB9, QXE4, QXQ4, QXU, RA2, SXE4, SXQ4, VMT2, VXB7, VXB9, WKT2	
			-	-	6	-	QAG2	
			-	-	4	-	QZA2, QZAV, QZX4	
18	90017-883-000	BOLT, FLANGE, 6X32(CT200) ...	-	-	2	-	QAE2, QZA2, QZAV	
			-	-	4	-	QAR2	
19	90630-751-000	CLIP, PURSE LOCK .....	-	-	1	-	QAE2, QAR2, QXE4, SXE4	
20	31510-ZE2-811	COIL ASSY., LAMP(12V/50W) ...	-	-	1	-	QAG2	
21	31511-ZE2-W00	CLAMPER, CORD .....	-	-	1	-	QAR2	
22	31630-ZE2-W01	COIL ASSY., CHARGE(12V/18A) ...	-	-	1	-	QAR2	
23	90015-883-000	BOLT, FLANGE, 6X28(CT200) ...	-	-	2	-	QXE4, SXE4	
24	90121-952-000	BOLT, FLANGE, 6X25(CT200) ...	-	-	2	-	QZX4	
25	90684-ZA0-601	CLIP, HARNESS .....	-	-	1	1	HA2, LX2, LXQ4, PA2, QAG2, QHB2, QHB4, QHQ4, QXB7, QXB9, QXQ4, QXU, RA2, SXQ4, VMT2, VXB7, VXB9, WKT2	



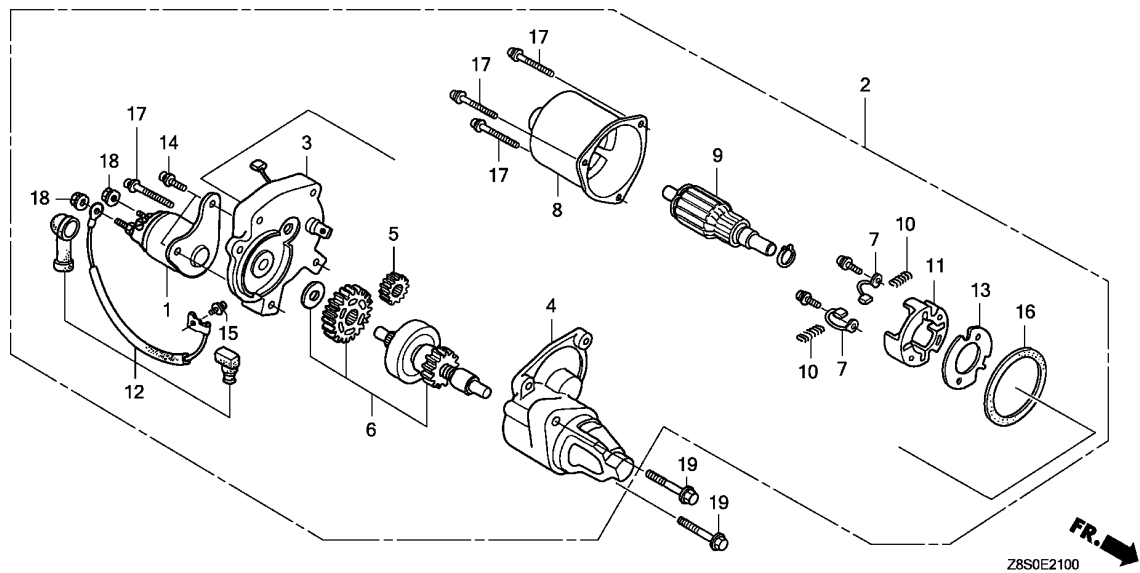


FR. →  
Z8S0E2010

Ref. No.	L.O.N.	(Relative ref. Number) Description	F.R.T.
1	3111W6	SEAL, ELECTRONIC CONTROL UNIT COVER .....	0.3
2	6211A6	CONTROL UNIT, ELECTRONIC .....	0.6

2

Ref. No.	Part No.	Description	Reqd. QTY				Serial No.	Parts catalogue code
			GX 240	GX 240	GX 240	GX 240		
1	16755-Z5T-W00	SEAL, ELECTRONIC CONTROL UNIT COVER	-	-	1	-	----- QZA2,QZAV,QZX4	
2	34750-Z5T-W61	CONTROL UNIT, ELECTRONIC .....	-	-	1	-	----- QZA2,QZAV,QZX4	
3	93891-04020-07	SCREW-WASHER, 4X20 .....	-	-	4	-	----- QZA2,QZAV,QZX4	

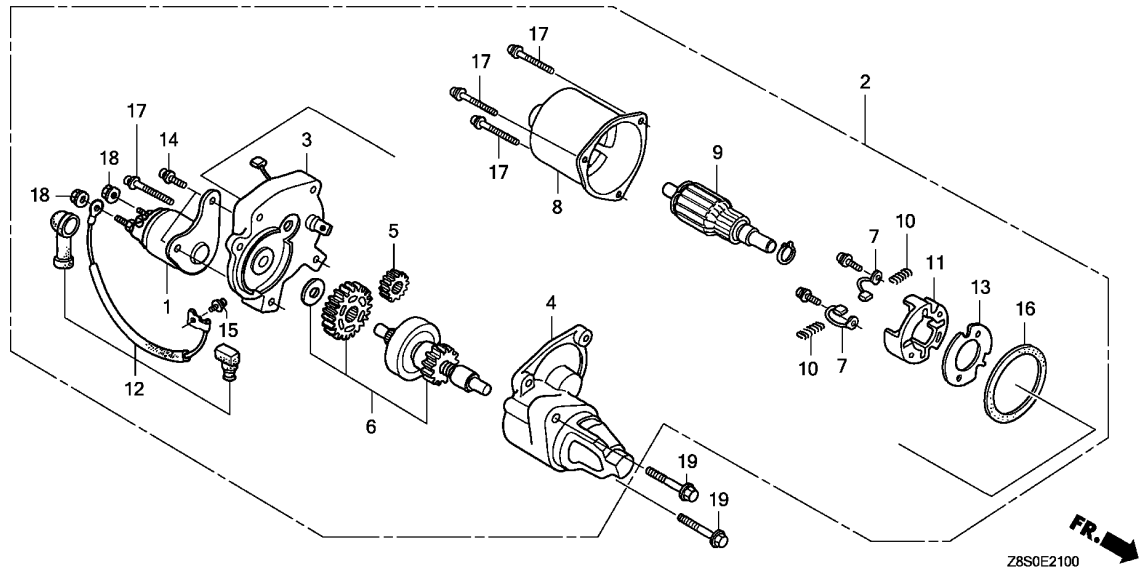


Ref. No.	L.O.N.	(Relative ref. Number) Description	F.R.T.
1	6121E5	CONTACTOR, STARTER .....	0.2
2	6121D5	MOTOR, STARTER .....	0.2
3	6121C3	BRACKET, STARTER :CENTER .....	0.4
4	6121D2	BRACKET, STARTER :FRONT .....	0.4
6	6121B0	CLUTCH, OVERRUNNING .....	0.4
7	6121A9	BRUSH, STARTER .....	0.4
8	6121D1	YOKE, STARTER .....	0.4
9	6121A0	ARMATURE, STARTER .....	0.4

Ref. No.	Part No.	Description	Reqd. QTY				Serial No.	Parts catalogue code
			GX 240 UT1	GX 240 RT1	GX 240 UT2	GX 240 RT2		
1	31204-ZA0-003	CONTACTOR ASSY. ....	1	-	-	-	LHE4, QAE2, QAR2, QXE4, SXE4	
2	31210-ZE2-003	MOTOR UNIT, STARTER .....	1	-	-	-	QAE2 LHE4, QAE2, QAR2, QXE4, SXE4	
3	31211-ZE2-003	BRACKET, CENTER .....	1	-	-	-	QAE2 LHE4, QAE2, QAR2, QXE4, SXE4	
4	31212-ZE2-003	BRACKET, FR. ....	1	-	-	-	QAE2 LHE4, QAE2, QAR2, QXE4, SXE4	
5	31213-ZE2-003	GEAR, DRIVE PINION .....	1	-	-	-	QAE2 LHE4, QAE2, QAR2, QXE4, SXE4	
6	31214-ZE2-003	CLUTCH COMP., OVERRUNNING ...	1	-	-	-	QAE2 LHE4, QAE2, QAR2, QXE4, SXE4	
7	31215-ZE2-003	BRUSH .....	2	-	-	-	QAE2 LHE4, QAE2, QAR2, QXE4, SXE4	
8	31216-ZE2-003	YOKE COMP. ....	1	-	-	-	QAE2 LHE4, QAE2, QAR2, QXE4, SXE4	
9	31217-ZE2-003	ARMATURE COMP. ....	1	-	-	-	QAE2 LHE4, QAE2, QAR2, QXE4, SXE4	
10	31219-ZE2-003	SPRING, BRUSH RETURN .....	4	-	-	-	QAE2 LHE4, QAE2, QAR2, QXE4, SXE4	
11	31231-ZE2-003	HOLDER, BRUSH .....	1	-	-	-	QAE2 LHE4, QAE2, QAR2, QXE4, SXE4	
12	31232-ZE3-003	WIRE, WATER COVER .....	1	-	-	-	QAE2 LHE4, QAE2, QAR2, QXE4, SXE4	
13	31233-ZE2-003	INSULATOR .....	1	-	-	-	QAE2 LHE4, QAE2, QAR2, QXE4, SXE4	





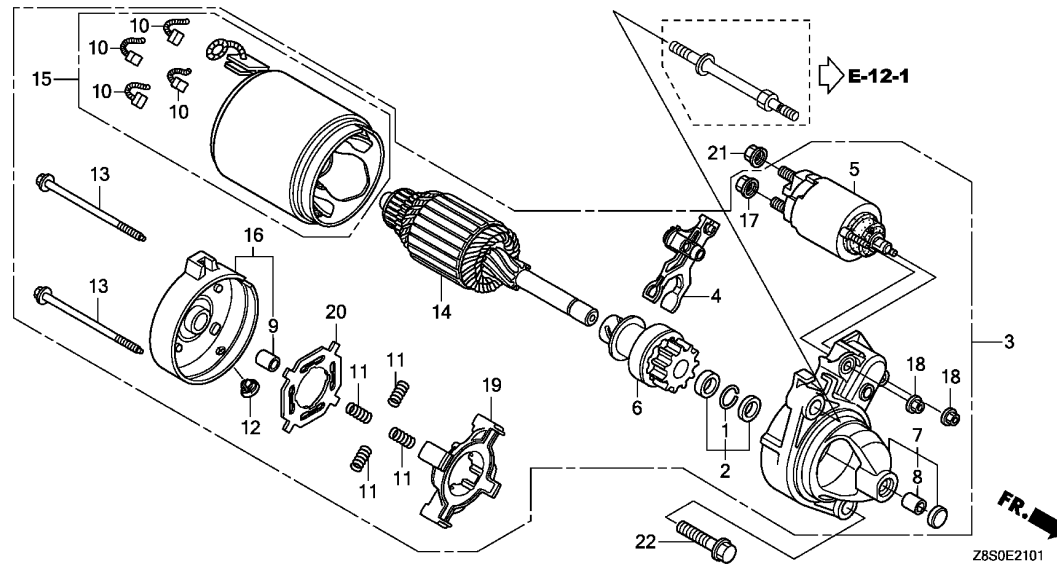


Ref. No.	Part No.	Description	Reqd. QTY				Serial No.	Parts catalogue code
			GX 240	GX 240	GX 240	GX 240		
			UT1	RT1	UT2	RT2		
14	90007-ZE2-003	BOLT-WASHER, 5X14	2	-	-	-	LHE4, QAE2, QAR2, QXE4, SXE4	
15	90110-ZE2-003	SCREW-WASHER, 4X6	1	-	-	-	QAE2	
			-	-	1	-	LHE4, QAE2, QAR2, QXE4, SXE4	
			-	-	-	-	QAE2	
16	91601-ZE2-003	PACKING	1	-	-	-	LHE4, QAE2, QAR2, QXE4, SXE4	
			-	-	1	-	QAE2	
17	93892-05032-18	SCREW-WASHER, 5X32	4	-	-	-	LHE4, QAE2, QAR2, QXE4, SXE4	
			-	-	4	-	QAE2	
18	94070-06080	NUT-WASHER, 6MM	2	-	-	-	LHE4, QAE2, QAR2, QXE4, SXE4	
			-	-	2	-	QAE2	
19	95701-08040-00	BOLT, FLANGE, 8X40	2	-	-	-	LHE4, QAE2, QAR2, QXE4, SXE4	
			-	-	2	-	QAE2	

# E-21-1

# STARTER MOTOR(2)

**G 6**



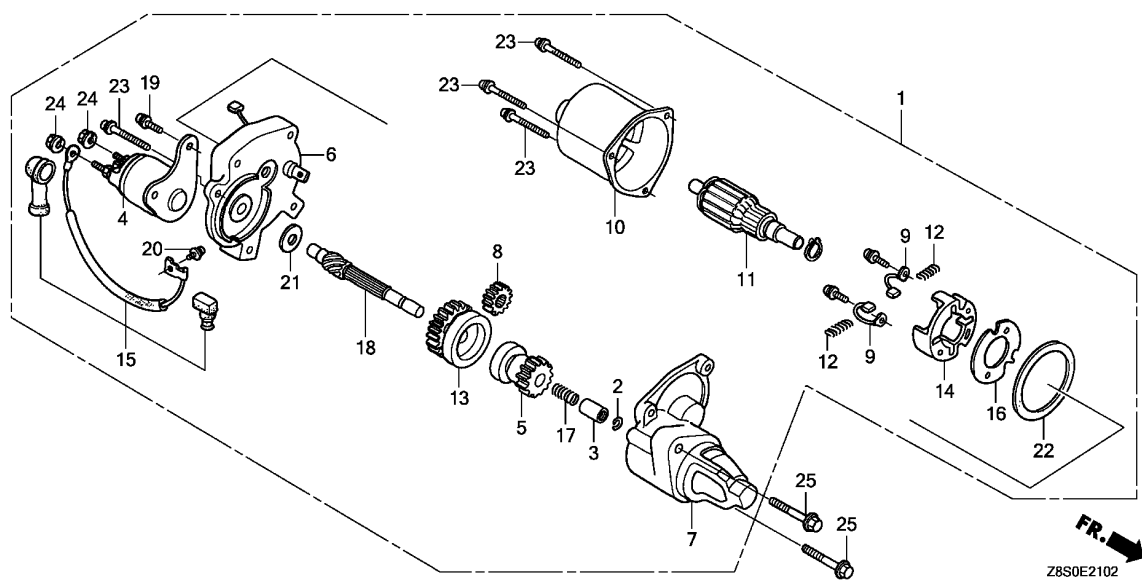
Ref. No.	L.O.N.	(Relative ref. Number) Description	F.R.T.
3	6121E0	MOTOR, STARTER(A) .....	0.4
5	6121F5	SWITCH, STARTER MAGNETIC(A) ..	0.6
6		(1,2)	
	6121D8	CLUTCH, OVERRUNNING(A) .....	0.8
10	6121D7	BRUSH, STARTER(A) .....	0.7
14	6121C4	ARMATURE, STARTER(A) .....	0.9
15	6121F9	YOKE ASSEMBLY, STARTER .....	0.6
19		(11)	
	6121B6	HOLDER, STARTER BRUSH .....	0.5

Ref. No.	Part No.	Description	Reqd. QTY				Serial No.	Parts catalogue code
			GX 240 UT1	GX 240 RT1	GX 240 UT2	GX 240 RT2		
1	30201-PH9-004	RING, SNAP(DENSO) .....	-	-	1	-	QZA2,QZAV,QZX4	
2	30202-PZ1-003	COLLAR SET, CLUTCH STOP .....	-	-	1	-	QZA2,QZAV,QZX4	
3	31200-Z5T-W01	MOTOR ASSY., STARTER .....	-	-	1	-	QZA2,QZAV,QZX4	
4	31203-PH9-004	LEVER, PINION DRIVE .....	-	-	1	-	QZA2,QZAV,QZX4	
5	31204-Z2E-003	SWITCH ASSY., MAGNET .....	-	-	1	-	QZA2,QZAV,QZX4	
6	31207-ZE9-H01	CLUTCH COMP., OVERRUNNING ...	-	-	1	-	QZA2,QZAV,QZX4	
7	31208-Z5T-W00	HOUSING COMP., DRIVE SIDE .....	-	-	1	-	QZA2,QZAV,QZX4	
8	31209-PH9-004	BEARING A .....	-	-	1	-	QZA2,QZAV,QZX4	
9	31210-PH9-004	BEARING B .....	-	-	1	-	QZA2,QZAV,QZX4	
10	31211-PH9-004	BRUSH .....	-	-	4	-	QZA2,QZAV,QZX4	
11	31212-PH9-004	SPRING, BRUSH .....	-	-	4	-	QZA2,QZAV,QZX4	
12	31213-P64-N01	COVER .....	-	-	1	-	QZA2,QZAV,QZX4	
13	31214-PH9-004	BOLT, THROUGH .....	-	-	2	-	QZA2,QZAV,QZX4	
14	31217-Z0A-003	ARMATURE COMP. ....	-	-	1	-	QZA2,QZAV,QZX4	
15	31218-PH9-004	YOKE COMP. ....	-	-	1	-	QZA2,QZAV,QZX4	
16	31219-Z5T-W00	FRAME COMP., COMMUTATOR END ..	-	-	1	-	QZA2,QZAV,QZX4	
17	31220-PH9-004	NUT, HEX., 8MM .....	-	-	1	-	QZA2,QZAV,QZX4	
18	31223-PA0-006	NUT, HEX. ....	-	-	2	-	QZA2,QZAV,QZX4	
19	31231-PH9-004	HOLDER, BRUSH .....	-	-	1	-	QZA2,QZAV,QZX4	
20	31233-PH9-004	INSULATOR, BRUSH HOLDER .....	-	-	1	-	QZA2,QZAV,QZX4	
21	94070-08080	NUT-WASHER, 8MM .....	-	-	1	-	QZA2,QZAV,QZX4	
22	95701-10040-00	BOLT, FLANGE, 10X40 .....	-	-	1	-	QZA2,QZAV,QZX4	

**2**

# E-21-2

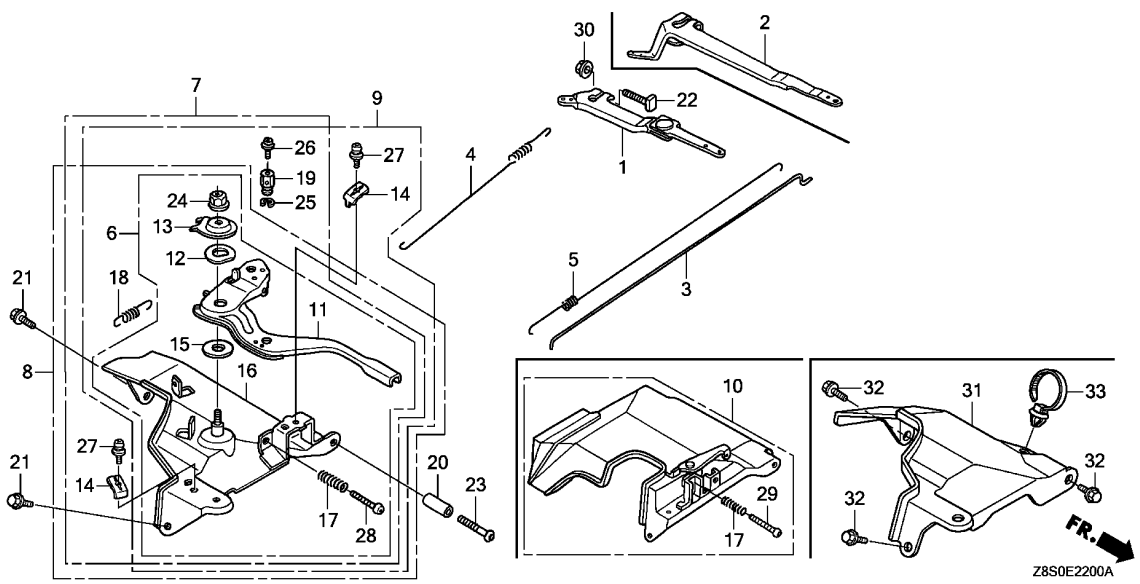
# STARTER MOTOR(3)



Ref. No.	L.O.N.	(Relative ref. Number) Description	F.R.T.
1	6121D5	MOTOR, STARTER .....	0.2
4	6121E5	CONTACTOR, STARTER .....	0.2
5		(18)	
	6121B0	CLUTCH, OVERRUNNING .....	0.4
6	6121C3	BRACKET, STARTER :CENTER .....	0.4
7	6121D9	BRACKET, STARTER(A) :FRONT .....	0.3
9	6121A9	BRUSH, STARTER .....	0.4
11	6121A0	ARMATURE, STARTER .....	0.4
13	6121B5	GEAR, STARTER REDUCTION .....	0.4

ZBS0E2102

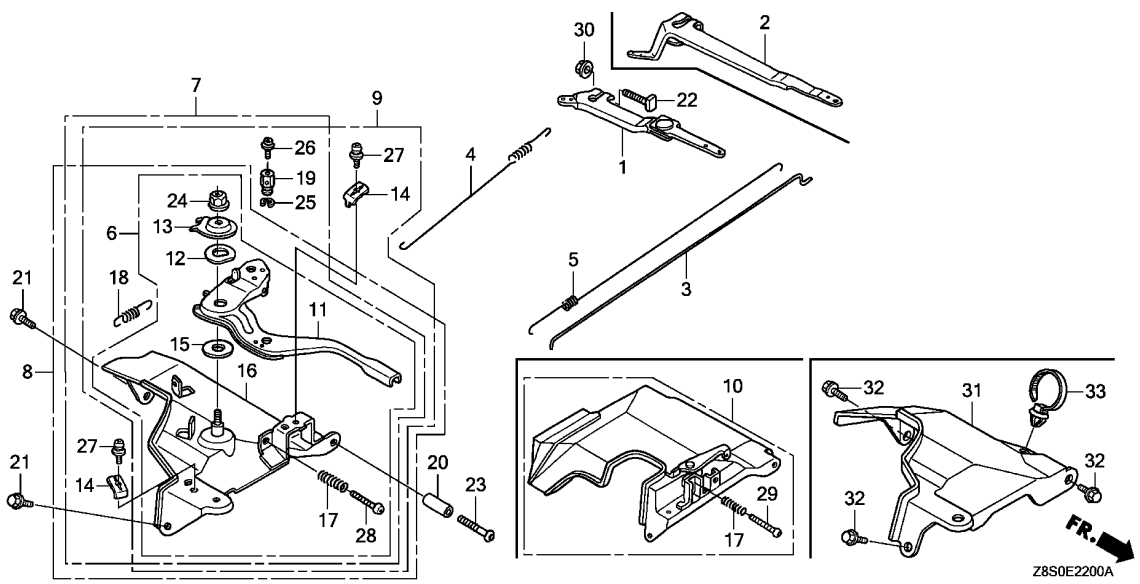
Ref. No.	Part No.	Description	Reqd. QTY				Serial No.	Parts catalogue code
			GX 240 UT1	GX 240 RT1	GX 240 UT2	GX 240 RT2		
1	31200-ZH9-013	MOTOR ASSY., STARTER .....	-	-	1	-	QAR2,QXE4,SXE4	
2	31201-ZA1-003	RING, SNAP .....	-	-	1	-	QAR2,QXE4,SXE4	
3	31202-ZA1-003	COLLAR, CLUTCH STOP .....	-	-	1	-	QAR2,QXE4,SXE4	
4	31204-ZA0-003	CONTACTOR ASSY. ....	-	-	1	-	QAR2,QXE4,SXE4	
5	31207-ZH9-003	CLUTCH COMP., OVERRUNNING .....	-	-	1	-	QAR2,QXE4,SXE4	
6	31211-ZE2-003	BRACKET, CENTER .....	-	-	1	-	QAR2,QXE4,SXE4	
7	31212-ZE2-003	BRACKET, FR. ....	-	-	1	-	QAR2,QXE4,SXE4	
8	31213-ZE2-003	GEAR, DRIVE PINION .....	-	-	1	-	QAR2,QXE4,SXE4	
9	31215-ZE2-003	BRUSH .....	-	-	2	-	QAR2,QXE4,SXE4	
10	31216-ZE2-003	YOKE COMP. ....	-	-	1	-	QAR2,QXE4,SXE4	
11	31217-ZE2-003	ARMATURE COMP. ....	-	-	1	-	QAR2,QXE4,SXE4	
12	31219-ZE2-003	SPRING, BRUSH RETURN .....	-	-	4	-	QAR2,QXE4,SXE4	
13	31222-ZE3-791	GEAR, REDUCTION .....	-	-	1	-	QAR2,QXE4,SXE4	
14	31231-ZE2-003	HOLDER, BRUSH .....	-	-	1	-	QAR2,QXE4,SXE4	
15	31232-ZE3-003	WIRE, WATER COVER .....	-	-	1	-	QAR2,QXE4,SXE4	
16	31233-ZE2-003	INSULATOR .....	-	-	1	-	QAR2,QXE4,SXE4	
17	31244-ZH9-003	SPRING .....	-	-	1	-	QAR2,QXE4,SXE4	
18	31245-ZH9-003	SHAFT .....	-	-	1	-	QAR2,QXE4,SXE4	
19	90007-ZE2-003	BOLT-WASHER, 5X14 .....	-	-	2	-	QAR2,QXE4,SXE4	
20	90110-ZE2-003	SCREW-WASHER, 4X6 .....	-	-	1	-	QAR2,QXE4,SXE4	
21	90403-ZH9-003	WASHER, SK .....	-	-	1	-	QAR2,QXE4,SXE4	
22	91601-ZE2-003	PACKING .....	-	-	1	-	QAR2,QXE4,SXE4	
23	93892-05032-18	SCREW-WASHER, 5X32 .....	-	-	4	-	QAR2,QXE4,SXE4	
24	94070-06080	NUT-WASHER, 6MM .....	-	-	2	-	QAR2,QXE4,SXE4	
25	95701-08040-00	BOLT, FLANGE, 8X40 .....	-	-	2	-	QAR2,QXE4,SXE4	



Ref. No.	L.O.N.	(Relative ref. Number) Description	F.R.T.
1		(2)	
1161A0		ARM, GOVERNOR .....	0.2
1161B1		ROD, GOVERNOR .....	0.2
1161C5		SPRING, GOVERNOR .....	0.2
1161C2		SPRING, THROTTLE RETURN .....	0.2
6		(7,8,9,10)	
1161A5		CONTROL, THROTTLE/GOVERNOR ...	0.3
1161A8		LEVER, CONTROL .....	0.4
1161A2		BASE, CONTROL .....	0.4
1161B7		SPRING, CABLE RETURN .....	0.2
4141E2		SHROUD, ENGINE :UPPER .....	0.5

Ref. No.	Part No.	Description	Reqd. QTY				Serial No.	Parts catalogue code
			GX 240 UT1	GX 240 RT1	GX 240 UT2	GX 240 RT2		
1	16550-ZE2-700	ARM COMP., GOVERNOR .....	-	1	-	1	VMT2	
2	16551-ZE2-000	ARM, GOVERNOR .....	1	1	1	-	HA2,LHE4,LX2,LXQ4,PA2,QA2,QAE2,QAG2,QAR2,QHB2,QHB4,QHQ4,QXB7,QXB9,QXC9,QXE4,QXQ4,QXU,RA2,RHQ4,SXE4, SXQ4,SXU,VTA2,VXB7,VXB9,VXQ4,WKT2	
3	16555-ZE2-000	ROD, GOVERNOR .....	1	1	1	1	HA2,LHE4,LX2,LXQ4,PA2,QA2,QAE2,QAG2,QAR2,QHB2,QHB4,QHQ4,QXB7,QXB9,QXC9,QXE4,QXQ4,QXU,RA2,RHQ4,SXE4, SXQ4,SXU,VMT2,VTA2,VXB7,VXB9,VXQ4,WKT2	
4	16561-ZE2-000	SPRING, GOVERNOR(L=145.0MM) (WIRE DIAMETER 1.0MM)	1	1	1	-	HA2,LHE4,LX2,LXQ4,PA2,QA2,QAE2,QAG2,QAR2,QHB2,QHB4,QHQ4,QXB7,QXB9,QXC9,QXE4,QXQ4,QXU,RA2,RHQ4,SXE4, SXQ4,SXU,VMT2,VTA2,VXB7,VXB9,VXQ4,WKT2	
	16561-ZE2-800	SPRING, GOVERNOR(L=142.0MM)	(1)	-	(1)	-	VXB7,VXB9,VXQ4	
	16561-Z9G-800	SPRING, GOVERNOR(L=145.0MM) (WIRE DIAMETER 1.4MM)	-	(1)	-	-	VMT2	
	16561-ZK6-D70	SPRING, GOVERNOR .....	-	-	-	1		
5	16562-ZE2-000	SPRING, THROTTLE RETURN .....	1	1	1	-	HA2,LHE4,LX2,LXQ4,PA2,QA2,QAE2,QAG2,QAR2,QHB2,QHB4,QHQ4,QXB7,QXB9,QXC9,QXE4,QXQ4,QXU,RA2,RHQ4,SXE4, SXQ4,SXU,VTA2,VXB7,VXB9,VXQ4,WKT2	
	16562-ZE2-700	.....	-	1	-	1	VMT2	
6	16570-ZE2-W00	CONTROL ASSY. ....	1	-	-	-	HA2,PA2,VXB7,VXB9,VXQ4	
	16500-Z5K-000	.....	-	-	1	-	HA2,PA2,VXB7,VXB9	
7	16570-ZE2-W10	CONTROL ASSY. (REMOTE) .....	1	-	-	-	QHB2	
8	16570-ZE2-W20	CONTROL ASSY. (REMOTE) .....	1	1	-	-	LHE4,LX2,LXQ4,QA2,QAE2,QAG2,QAR2,QHQ4,QXB7,QXB9,QXC9,QXE4,QXQ4,QXU,RA2,RHQ4,SXE4, SXQ4,SXU,VTA2,WKT2	
	16500-Z5K-810	.....	-	-	1	-	LX2,LXQ4,QA2,QAE2,QAG2,QAR2,QHQ4,QXB7,QXB9,QXE4,QXQ4,QXU,RA2,SXE4, SXQ4,WKT2	
9	16570-ZE2-W50	CONTROL ASSY. (REMOTE) .....	1	-	-	-	QHB4	
	16500-Z5K-800	.....	-	-	1	-	QHB2	





Ref. No.	Part No.	Description	Reqd. QTY				Serial No.	Parts catalogue code
			GX 240 UT1	GX 240 RT1	GX 240 UT2	GX 240 RT2		
(9)	16500-Z5K-830	CONTROL ASSY. (REMOTE) .....	-	-	1	-	-----	QHB4
10	16570-ZE2-701	CONTROL ASSY. ....	-	1	-	-	-----	VMT2
	16500-Z5K-880	.....	-	-	-	1	-----	
11	16571-ZE2-W00	LEVER, CONTROL .....	1	1	1	-	-----	HA2,LHE4,LX2,LXQ4,PA2,QA2,QAE2,QAG2,QAR2,QHB2,QHB4,QHQ4,QXB7,QXB9,QXC9,QXE4,QXQ4,QXU,RA2,RHQ4,SXE4, SXQ4, SXU,VTA2,VXB7,VXB9,VXQ4,WKT2
12	16574-ZE1-000	SPRING, LEVER .....	1	1	1	-	-----	HA2,LHE4,LX2,LXQ4,PA2,QA2,QAE2,QAG2,QAR2,QHB2,QHB4,QHQ4,QXB7,QXB9,QXC9,QXE4,QXQ4,QXU,RA2,RHQ4,SXE4, SXQ4, SXU,VTA2,VXB7,VXB9,VXQ4,WKT2
13	16575-ZE2-W00	WASHER, CONTROL LEVER .....	1	1	1	-	-----	HA2,LHE4,LX2,LXQ4,PA2,QA2,QAE2,QAG2,QAR2,QHB2,QHB4,QHQ4,QXB7,QXB9,QXC9,QXE4,QXQ4,QXU,RA2,RHQ4,SXE4, SXQ4, SXU,VTA2,VXB7,VXB9,VXQ4,WKT2
14	16576-891-000	HOLDER, CABLE .....	1	1	1	-	-----	LHE4,LX2,LXQ4,QA2,QAE2,QAG2,QAR2,QHB2,QHB4,QHQ4,QXB7,QXB9,QXC9,QXE4,QXQ4,QXU,RA2,RHQ4,SXE4, SXQ4, SXU,VTA2,WKT2
15	16578-ZE1-000	SPACER, CONTROL LEVER .....	1	1	1	-	-----	HA2,LHE4,LX2,LXQ4,PA2,QA2,QAE2,QAG2,QAR2,QHB2,QHB4,QHQ4,QXB7,QXB9,QXC9,QXE4,QXQ4,QXU,RA2,RHQ4,SXE4, SXQ4, SXU,VTA2,VXB7,VXB9,VXQ4,WKT2
16	16581-ZE2-W00	BASE COMP., CONTROL(###) ....	1	1	-	-	-----	HA2,LHE4,LX2,LXQ4,PA2,QA2,QAE2,QAG2,QAR2,QHB2,QHB4,QHQ4,QXB7,QXB9,QXC9,QXE4,QXQ4,QXU,RA2,RHQ4,SXE4, SXQ4, SXU,VTA2,VXB7,VXB9,VXQ4,WKT2
	16580-Z5K-000	BASE COMP., CONTROL .....	-	-	1	-	-----	HA2,LX2,LXQ4,PA2,QA2,QAE2,QAG2,QAR2,QHB2,QHB4,QHQ4,QXB7,QXB9,QXE4,QXQ4,QXU,RA2,SXE4, SXQ4, VXB7,VXB9,WKT2
17	16584-883-300	SPRING, CONTROL ADJUSTING ...	1	1	1	1	-----	HA2,LHE4,LX2,LXQ4,PA2,QA2,QAE2,QAG2,QAR2,QHB2,QHB4,QHQ4,QXB7,QXB9,QXC9,QXE4,QXQ4,QXU,RA2,RHQ4,SXE4, SXQ4, SXU,VMT2,VTA2,VXB7,VXB9,VXQ4,WKT2
18	16592-883-310	SPRING, CABLE RETURN .....	1	1	1	-	-----	LHE4,LX2,LXQ4,QA2,QAE2,QAG2,QAR2,QHB2,QHB4,QHQ4,QXB7,QXB9,QXC9,QXE4,QXQ4,QXU,RA2,RHQ4,SXE4, SXQ4, SXU,VTA2,WKT2

2

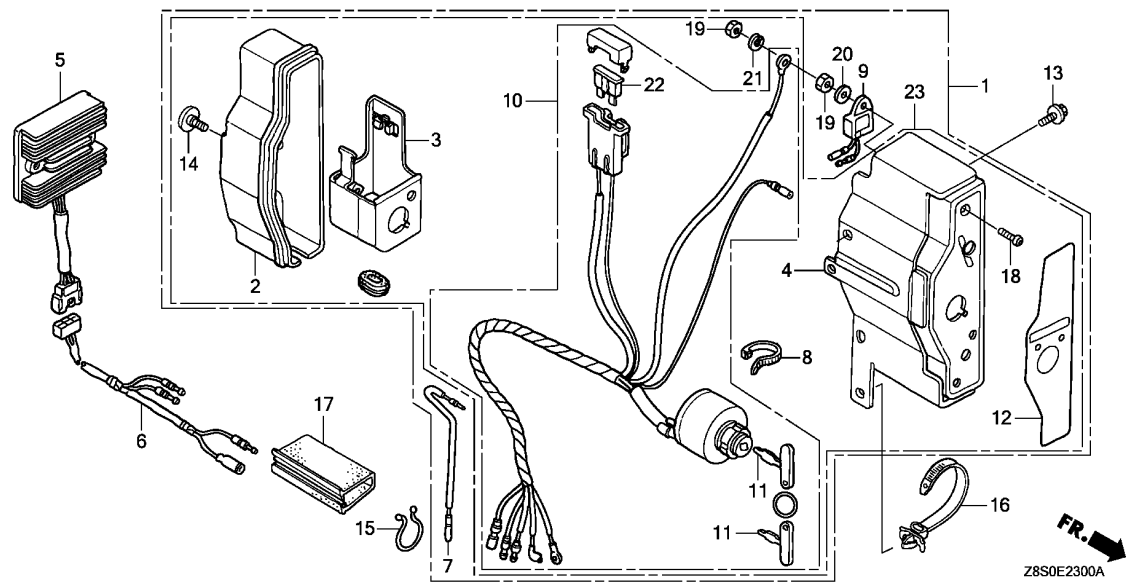
Ref. No.	Part No.	Description	Reqd. QTY				Serial No.	Parts catalogue code
			GX 240 UT1	GX 240 RT1	GX 240 UT2	GX 240 RT2		
19	16594-883-010	HOLDER, WIRE .....	1	-	1	-	-----	QHB2, QHB4
20	16599-ZG1-M10	COLLAR, STOPPER .....	(1)	-	(1)	-	-----	LHE4, LXQ4, QHB2, QHB4, QHQ4, QXB7, QXB9, QXE4, QXQ4, RHQ4, SXE4, SXQ4, VXB7, VXB9, VXQ4
21	90013-883-000	BOLT, FLANGE, 6X12(CT200) ...	2	2	2	2	-----	HA2, LHE4, LX2, LXQ4, PA2, QA2, QAE2, QAG2, QAR2, QHB2, QHB4, QHQ4, QXB7, QXB9, QXC9, QXE4, QXQ4, QXU, RA2, RHQ4, SXE4, SXQ4, SXU, VMT2, VTA2, VXB7, VXB9, VXQ4, WKT2
22	90015-ZE5-010 90015-Z5T-000	BOLT, GOVERNOR ARM .....	1	1	-	-	-----	HA2, LX2, LXQ4, PA2, QA2, QAE2, QAG2, QAR2, QHB2, QHB4, QHQ4, QXB7, QXB9, QXE4, QXQ4, QXU, RA2, SXE4, SXQ4, VMT2, VXB7, VXB9, WKT2
23	90016-ZG9-N30	SCREW, RECESSED, 5X25 .....	(1)	-	(1)	-	-----	LHE4, LXQ4, QHB2, QHB4, QHQ4, QXB7, QXB9, QXE4, QXQ4, RHQ4, SXE4, SXQ4, VXB7, VXB9, VXQ4
24	90114-SA0-000	NUT, SELF-LOCK, 6MM .....	1	1	1	-	-----	HA2, LHE4, LX2, LXQ4, PA2, QA2, QAE2, QAG2, QAR2, QHB2, QHB4, QHQ4, QXB7, QXB9, QXC9, QXE4, QXQ4, QXU, RA2, RHQ4, SXE4, SXQ4, SXU, VTA2, VXB7, VXB9, VXQ4, WKT2
25	90605-230-000	CIRCLIP, 5MM .....	1	-	1	-	-----	QHB2, QHB4
26	93500-04006-OH	SCREW, PAN, 4X6 .....	1	-	1	-	-----	QHB2, QHB4
27	93500-05016-OA	SCREW, PAN, 5X16 .....	1	1	1	-	-----	LHE4, LX2, LXQ4, QA2, QAE2, QAG2, QAR2, QHB2, QHB4, QHQ4, QXB7, QXB9, QXC9, QXE4, QXQ4, QXU, RA2, RHQ4, SXE4, SXQ4, SXU, VTA2, WKT2
28	93500-05028-OA	SCREW, PAN, 5X28 .....	1	1	1	-	-----	HA2, LHE4, LX2, LXQ4, PA2, QA2, QAE2, QAG2, QAR2, QHB2, QHB4, QHQ4, QXB7, QXB9, QXC9, QXE4, QXQ4, QXU, RA2, RHQ4, SXE4, SXQ4, SXU, VTA2, VXB7, VXB9, VXQ4, WKT2
29	93500-05035-OA	SCREW, PAN, 5X35 .....	-	1	-	1	-----	VMT2
30	94050-06000	NUT, FLANGE, 6MM .....	1	1	1	1	-----	HA2, LHE4, LX2, LXQ4, PA2, QA2, QAE2, QAG2, QAR2, QHB2, QHB4, QHQ4, QXB7, QXB9, QXC9, QXE4, QXQ4, QXU, RA2, RHQ4, SXE4, SXQ4, SXU, VMT2, VTA2, VXB7, VXB9, VXQ4, WKT2
31	19630-Z5K-W00	SHROUD COMP., UPPER .....	-	-	1	-	-----	QZA2, QZAV, QZX4
32	90013-883-000	BOLT, FLANGE, 6X12(CT200) ...	-	-	3	-	-----	QZA2, QZAV, QZX4
33	91541-S0A-003	CLIP, HARNESS BAND (BLACK) (145MM)	-	-	1	-	-----	QZA2, QZAV, QZX4



E-23

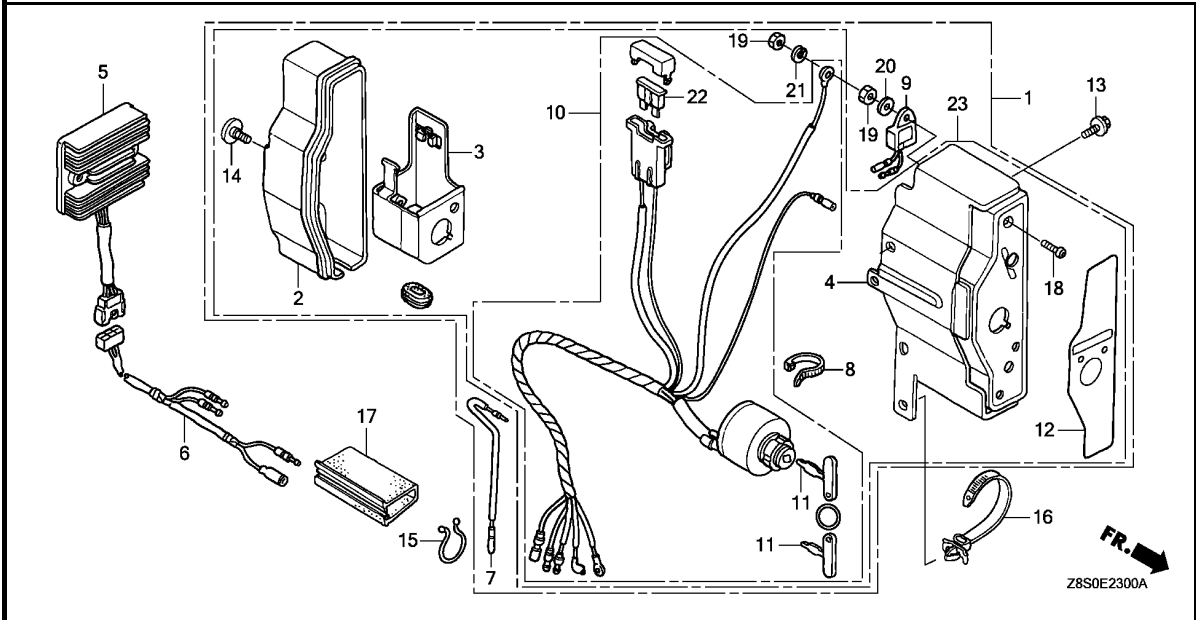
CONTROL BOX(1)

G11



Ref. No.	L.O.N.	(Relative ref. Number) Description	F.R.T.
1	6221N7	BOX, ENGINE CONTROL .....	0.1
4	6221P7	PANEL, ENGINE CONTROL .....	0.2
5	6131B7	RECTIFIER, REGULATOR .....	0.2
6	6111E6	HARNESS, REGULATOR RECTIFIER ..	0.2
10	6151E1	SWITCH, COMBINATION .....	0.2
22	8121A7	FUSE, BLADE .....	0.1

Ref. No.	Part No.	Description	Reqd. QTY				Serial No.	Parts catalogue code
			GX 240 UT1	GX 240 RT1	GX 240 UT2	GX 240 RT2		
1	31610-Z5F-821ZA	BOX ASSY., CONTROL (EXP-ALERT/18A)						
		*NH1*.....BLACK	1	-	-	-	-----	QAR2
	31610-Z5F-821ZB	*R280*.....POWER RED	1	-	-	-	-----	QAR2
2	31612-ZE2-003	CASE, CONTROL .....	1	-	1	-	-----	QAR2
3	31614-ZE2-003	BRACKET, CASE MOUNTING .....	1	-	1	-	-----	QAR2
4	31615-ZE2-003ZA	PANEL COMP., CONTROL						
		*NH1*.....BLACK	1	-	1	-	-----	QAR2
	31615-ZE2-003ZG	*R280*.....POWER RED	1	-	1	-	-----	QAR2
5	31620-ZG5-033	RECTIFIER ASSY., REGULATOR (20A)	1	-	1	-	-----	QAR2
6	32110-ZE2-W00	HARNESS ASSY., SUB WIRE .....	1	-	1	-	-----	QAR2
7	32197-ZE1-003	HARNESS, SUB WIRE .....	1	-	-	-	-----	QAR2
8	32902-892-003	BAND .....	1	-	1	-	-----	QAR2
9	34150-ZH7-013	ALERT UNIT, OIL .....	1	-	-	-	-----	QAR2
10	35100-ZE2-W01	SWITCH ASSY., COMBINATION (18A-CHARGE)	1	-	-	-	-----	QAR2
	35100-Z5T-841	SWITCH ASSY., COMBINATION(18A)	-	-	1	-	-----	QAR2
11	35111-880-013	KEY COMP. ....	2	-	2	-	-----	QAR2
12	87529-Z4S-820	MARK, CONTROL BOX(EXP)	1	-	1	-	-----	QAR2
13	90013-883-000	BOLT, FLANGE, 6X12(CT200) .....	2	-	2	-	-----	QAR2
14	90380-MA6-010	SCREW, SPECIAL, 6X12 .....	1	-	1	-	-----	QAR2
15	90630-751-000	CLIP, PURSE LOCK .....	1	-	1	-	-----	QAR2
16	90672-SAO-003	STRAP, CABLE, 118MM(BLACK) ..	1	-	1	-	-----	QAR2
17	91406-ZE2-003	TUBE, FASTENER, 30MM .....	1	-	1	-	-----	QAR2
18	93500-04012-OH	SCREW, PAN, 4X12 .....	1	-	1	-	-----	QAR2



Ref. No.	Part No.	Description	Reqd. QTY				Serial No.	Parts catalogue code
			GX 240 UT1	GX 240 RT1	GX 240 UT2	GX 240 RT2		
19	94001-04390-0S	NUT, HEX., 4MM .....	2	-	1	-	-----	QAR2
20	94101-04800	WASHER, PLAIN, 4MM .....	1	-	-	-	-----	QAR2
21	94111-04800	WASHER, SPRING, 4MM .....	1	-	1	-	-----	QAR2
22	98200-32500	FUSE, BLADE(25A) .....	1	-	-	-	-----	QAR2
	98200-31500	FUSE, BLADE(15A) .....	-	-	1	-	-----	QAR2
23	31610-Z5K-841ZA	BOX ASSY., CONTROL(EXP)(18A)	-	-	-	-	-----	QAR2
		*NH1*.....BLACK	-	-	1	-	-----	QAR2
	31610-Z5K-841ZB	*R280*.....POWER RED	-	-	1	-	-----	QAR2

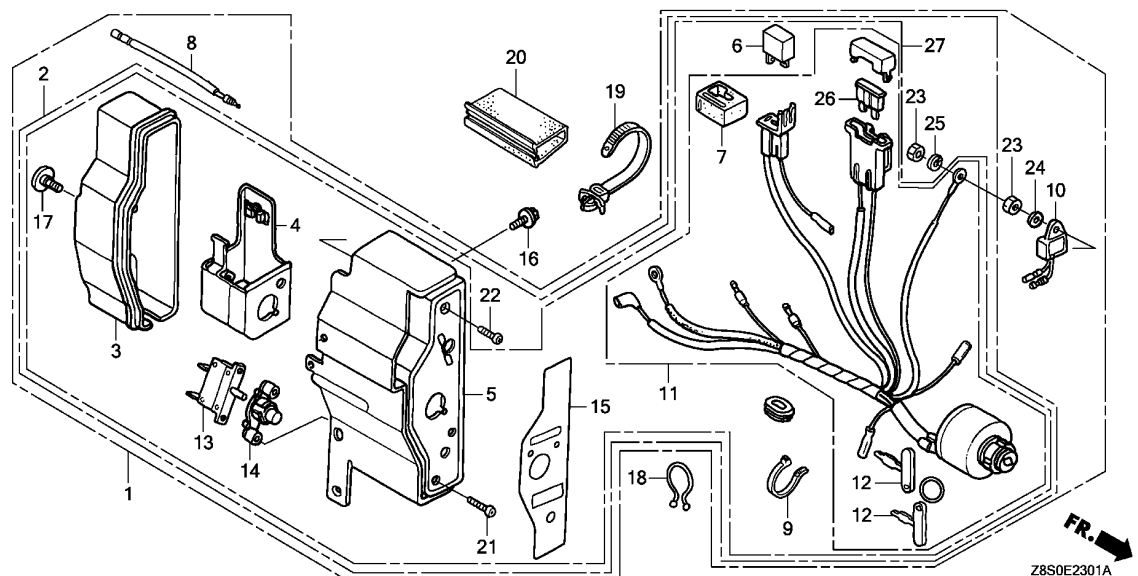




E-23-1

CONTROL BOX(2)

G13



Ref. No.	L.O.N.	(Relative ref. Number) Description	F.R.T.
1		(2,27)	
6221N7		BOX, ENGINE CONTROL .....	0.1
6221P7		PANEL, ENGINE CONTROL .....	0.2
6131B8		RECTIFIER, SILICON .....	0.1
6151K4		ALERT UNIT, ENGINE CONTROL OIL .....	0.2
6151E1		SWITCH, COMBINATION .....	0.2
6221D4		PROTECTOR, CIRCUIT .....	0.2
8121A7		FUSE, BLADE .....	0.1

Z8S0E2301A

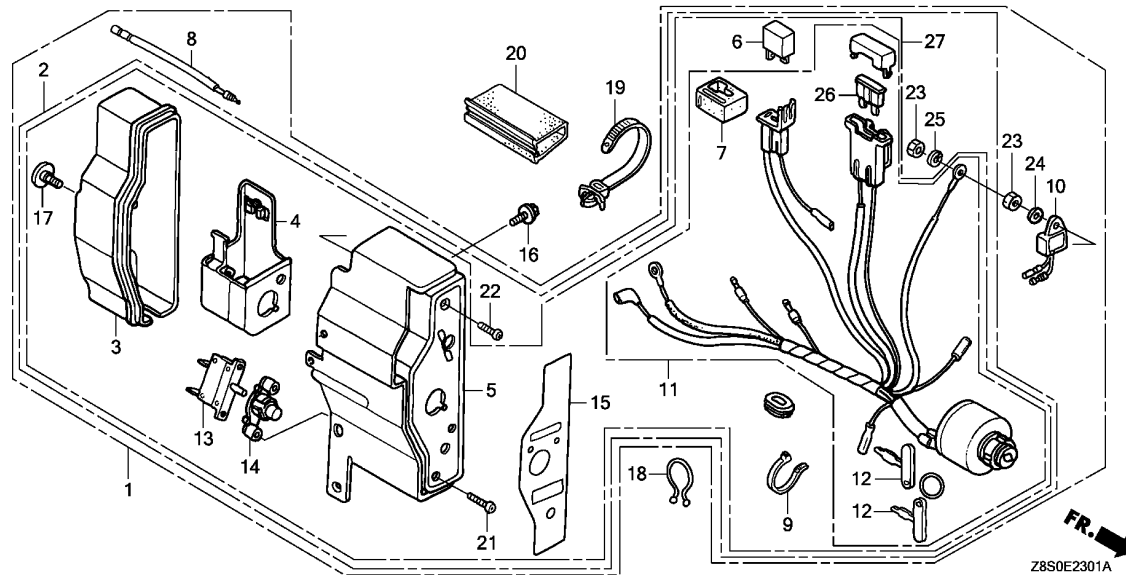
Ref. No.	Part No.	Description	Reqd. QTY				Serial No.	Parts catalogue code
			GX 240	GX 240	GX 240	GX 240		
1	31610-Z5J-801ZA	BOX ASSY., CONTROL(EXP-ALERT) (3A)						
		*NH1*.....BLACK	1	-	1	-	-----	QAE2
	31610-Z5J-801ZC	*R280*.....POWER RED	1	-	1	-	-----	QAE2
	31610-Z5K-802ZA	BOX ASSY., CONTROL(EXP-ALERT) *R280*.....POWER RED	1	-	-	-	-----	QXE4,SXE4
2	31610-Z5J-811ZA	BOX ASSY., CONTROL(EXTERNAL) *R280*.....POWER RED	1	-	-	-	-----	LHE4
3	31612-ZE2-003	CASE, CONTROL .....	1	-	1	-	-----	LHE4,QAE2,QXE4,SXE4
4	31614-ZE2-003	BRACKET, CASE MOUNTING .....	1	-	1	-	-----	LHE4,QAE2,QXE4,SXE4
5	31615-ZE2-003ZG	PANEL COMP., CONTROL *R280*.....POWER RED	1	-	1	-	-----	LHE4,QAE2,QXE4,SXE4
	31615-ZE2-003ZA	*NH1*.....BLACK	1	-	1	-	-----	QAE2
6	31700-124-008	RECTIFIER ASSY., SILICON (SHINDENGEN)	1	-	1	-	-----	LHE4,QAE2,QXE4,SXE4
7	32127-738-700	SUSPENSION, COUPLER .....	1	-	1	-	-----	LHE4,QAE2,QXE4,SXE4
8	32197-ZE1-003	HARNESS, SUB WIRE .....	1	-	-	-	-----	QAE2,QXE4,SXE4
			-	-	1	-	-----	QAE2
9	32902-892-003	BAND .....	1	-	1	-	-----	LHE4,QAE2,QXE4,SXE4
10	34150-ZH7-013	ALERT UNIT, OIL .....	1	-	-	-	-----	QAE2,QXE4,SXE4
			-	-	1	-	-----	QAE2
11	35100-ZE2-843	SWITCH ASSY., COMBINATION (3A-CHARGE)	1	-	1	-	-----	QAE2
	35100-ZE2-033	SWITCH ASSY., COMBINATION ...	1	-	-	-	-----	LHE4,QXE4,SXE4
	35100-Z5T-811	.....	-	-	1	-	-----	QXE4,SXE4
12	35111-880-013	KEY COMP. ....	2	-	2	-	-----	LHE4,QAE2,QXE4,SXE4
13	38240-VA3-900	PROTECTOR, CIRCUIT(1.0A) ....	1	-	1	-	-----	LHE4,QXE4,SXE4

2

# E-23-1

# CONTROL BOX(2)

G14



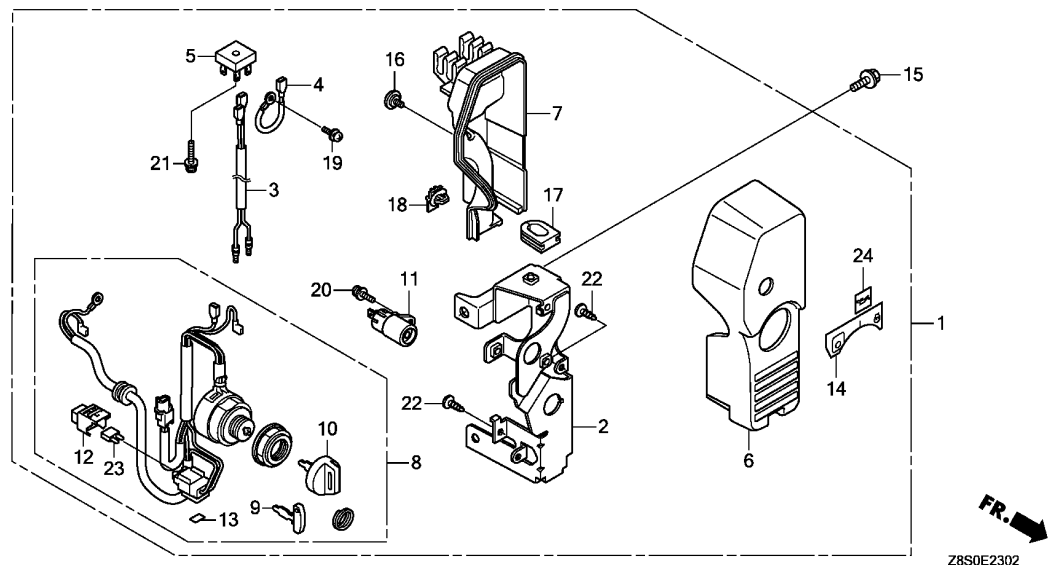
Ref. No.	Part No.	Description	Reqd. QTY				Serial No.	Parts catalogue code
			GX 240 UT1	GX 240 RT1	GX 240 UT2	GX 240 RT2		
13)	38240-ZE2-840	PROTECTOR, CIRCUIT(3.5A) .....	1	-	1	-	-----	QAE2
14	38250-ZA8-701	LENS ASSY., PROTECTOR .....	1	-	1	-	-----	LHE4, QAE2, QXE4, SXE4
15	87529-Z4T-840	MARK, CONTROL BOX(EXTERNAL) ..	1	-	1	-	-----	LHE4, QAE2, QXE4, SXE4
16	90013-883-000	BOLT, FLANGE, 6X12(CT200) ...	2	-	2	-	-----	LHE4, QAE2, QXE4, SXE4
17	90380-MA6-010	SCREW, SPECIAL, 6X12 .....	1	-	1	-	-----	LHE4, QAE2, QXE4, SXE4
18	90630-751-000	CLIP, PURSE LOCK .....	1	-	1	-	-----	LHE4, QAE2, QXE4, SXE4
19	90672-SA0-003	STRAP, CABLE, 118MM(BLACK) ..	1	-	1	-	-----	LHE4, QAE2, QXE4, SXE4
20	91406-ZE2-003	TUBE, FASTENER, 30MM .....	1	-	1	-	-----	LHE4, QAE2, QXE4, SXE4
21	93500-03012-OH	SCREW, PAN, 3X12 .....	2	-	2	-	-----	LHE4, QAE2, QXE4, SXE4
22	93500-04012-OH	SCREW, PAN, 4X12 .....	1	-	-	-	-----	LHE4, QAE2, QXE4, SXE4
			-	-	1	-	-----	QAE2
23	94001-04390-0S	NUT, HEX., 4MM .....	1	-	-	-	-----	LHE4
			2	-	-	-	-----	QAE2, QXE4, SXE4
			-	-	2	-	-----	QAE2
24	94101-04800	WASHER, PLAIN, 4MM .....	1	-	-	-	-----	QAE2, QXE4, SXE4
			-	-	1	-	-----	QAE2
25	94111-04800	WASHER, SPRING, 4MM .....	1	-	-	-	-----	LHE4, QAE2, QXE4, SXE4
			-	-	1	-	-----	QAE2
26	98200-30500	FUSE, BLADE(5A) .....	1	-	1	-	-----	LHE4, QXE4, SXE4
	98200-31500	FUSE, BLADE(15A) .....	1	-	1	-	-----	QAE2
27	31610-Z5K-811ZB	BOX ASSY., CONTROL(EXP-ALERT) *R280*.....POWER RED	-	-	1	-	-----	QXE4, SXE4

2

E-23-2

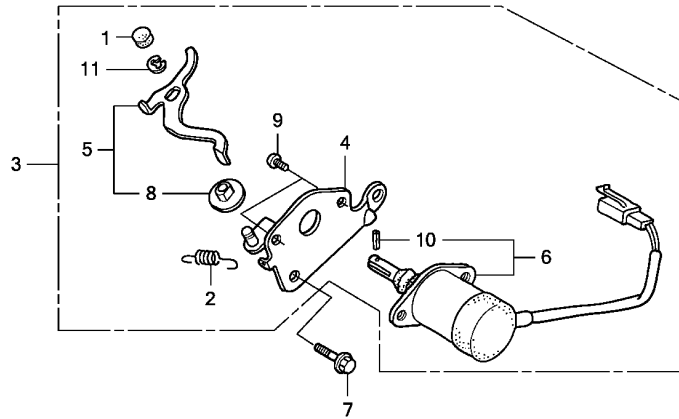
CONTROL BOX(3)

G15



Ref. No.	L.O.N.	(Relative ref. Number) Description	F.R.T.
1	6221N7	BOX, ENGINE CONTROL .....	0.1
5	6221L0	RECTIFIER, CONTROL BOX .....	0.2
8	6151E1	SWITCH, COMBINATION .....	0.2
11	6221C2	INDICATOR .....	0.2
23	8121A9	FUSE, MINI .....	0.1

Ref. No.	Part No.	Description	Reqd. QTY				Serial No.	Parts catalogue code
			GX 240 UT1	GX 240 RT1	GX 240 UT2	GX 240 RT2		
1	31610-Z5T-W00	BOX ASSY., CONTROL .....	-	-	1	-	QZA2,QZAV,QZX4	
2	31614-Z5T-W00	BRACKET, SWITCH BOX .....	-	-	1	-	QZA2,QZAV,QZX4	
3	31711-Z5T-W00	CORD, CHARGE COIL .....	-	-	1	-	QZA2,QZAV,QZX4	
4	31712-Z5T-W00	CORD, EARTH .....	-	-	1	-	QZA2,QZAV,QZX4	
5	31713-Z5T-W01	RECTIFIER COMP. ....	-	-	1	-	QZA2,QZAV,QZX4	
6	32346-Z5T-W00	PANEL, CONTROL .....	-	-	1	-	QZA2,QZAV,QZX4	
7	32612-Z5T-W00	COVER, CONTROL .....	-	-	1	-	QZA2,QZAV,QZX4	
8	35100-Z5T-W01	SWITCH ASSY., COMBINATION(IND) .....	-	-	1	-	QZA2,QZAV,QZX4	
9	35110-Z5T-W01	KEY COMP. ....	-	-	1	-	QZA2,QZAV,QZX4	
10	35110-Z5T-W11	KEY ASSY., COMBINATION SWITCH (BLACK) .....	-	-	1	-	QZA2,QZAV,QZX4	
11	37150-Z5T-W01	INDICATOR ASSY. ....	-	-	1	-	QZA2,QZAV,QZX4	
12	38216-Z2E-003	COVER ASSY., FUSE .....	-	-	1	-	QZA2,QZAV,QZX4	
13	87117-Z2E-800	LABEL, FUSE(30A) .....	-	-	1	-	QZA2,QZAV,QZX4	
14	87501-Z5T-W00	MARK, ENGINE SWITCH .....	-	-	1	-	QZA2,QZAV,QZX4	
15	90013-883-000	BOLT, FLANGE, 6X12(CT200) .....	-	-	2	-	QZA2,QZAV,QZX4	
16	90380-MB2-000	SCREW, SPECIAL, 6X8 .....	-	-	1	-	QZA2,QZAV,QZX4	
17	90601-Z5T-W00	GROMMET, CONTROL BOX .....	-	-	1	-	QZA2,QZAV,QZX4	
18	91565-SEL-003	CLIP, COUPLER(BLACK) .....	-	-	1	-	QZA2,QZAV,QZX4	
19	93891-04008-08	SCREW-WASHER, 4X8 .....	-	-	1	-	QZA2,QZAV,QZX4	
20	93891-04010-08	SCREW-WASHER, 4X10 .....	-	-	1	-	QZA2,QZAV,QZX4	
21	93893-04020-08	SCREW-WASHER, 4X20 .....	-	-	1	-	QZA2,QZAV,QZX4	
22	93913-24310	SCREW, TAPPING, 4X14(PO) .....	-	-	2	-	QZA2,QZAV,QZX4	
23	98200-43000	FUSE, MINI(30A) .....	-	-	1	-	QZA2,QZAV,QZX4	
24	87594-Z5T-W00	MARK, OIL CAUTION .....	-	-	1	-	QZA2,QZAV,QZX4	

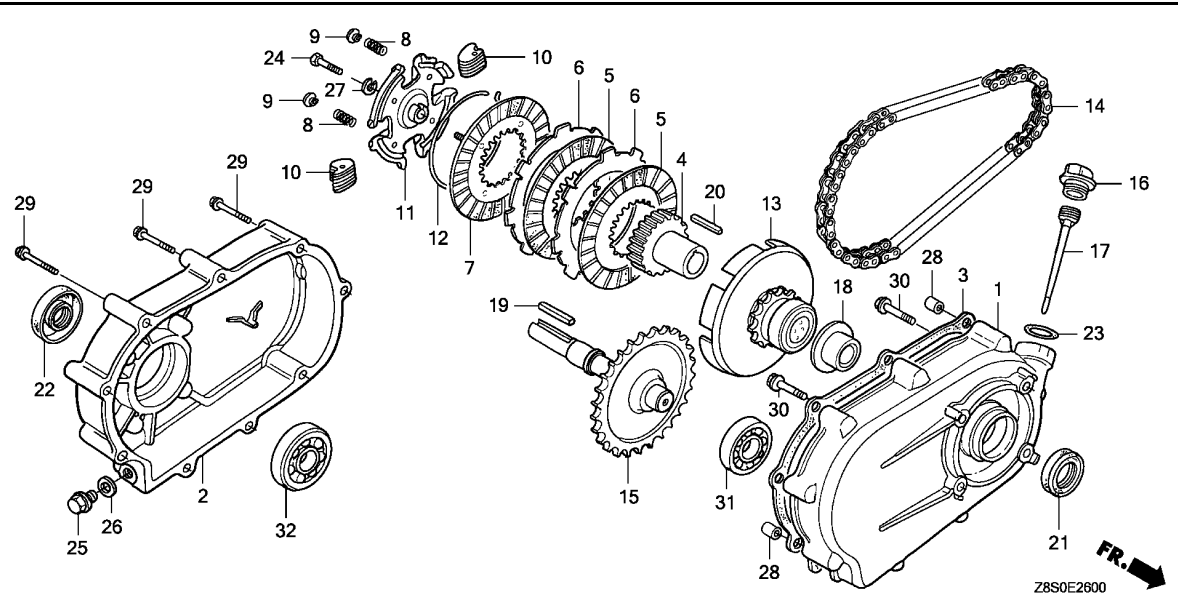


Z8S0E2320  
FR. →

Ref. No.	L.O.N.	(Relative ref. Number) Description	F.R.T.
2	8101Q9	SPRING, CHOKE RETURN .....	0.2
3	8101S8	THROTTLE, AUTO .....	0.2
6	6211C5	SOLENOID, AUTO THROTTLE .....	0.3

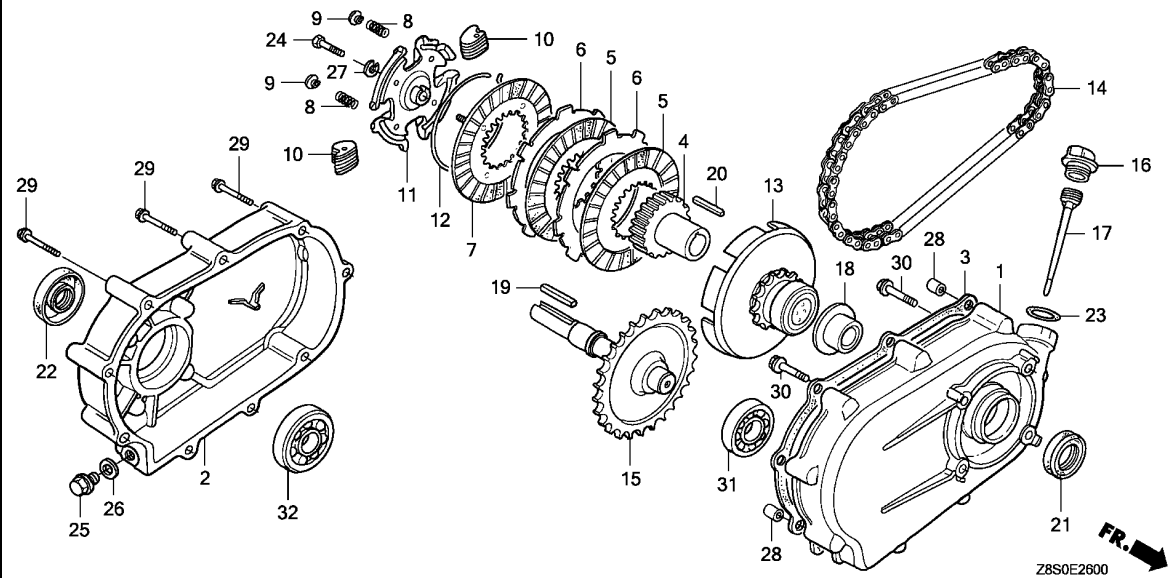
Ref. No.	Part No.	Description	Reqd. QTY				Serial No.	Parts catalogue code
			GX 240 UT1	GX 240 RT1	GX 240 UT2	GX 240 RT2		
1	16252-ZA1-010	CAP, CHOKE LEVER .....	-	1	-	1	-----	VMT2
2	16268-893-000	SPRING, CHOKE RETURN .....	-	1	-	1	-----	VMT2
3	16270-ZB4-010	AUTO-THROTTLE ASSY. ....	-	1	-	1	-----	VMT2
4	16271-ZB4-000	STAY, SOLENOID THROTTLE .....	-	1	-	1	-----	VMT2
5	16273-ZB4-000	LEVER COMP., SOLENOID THROTTLE	-	1	-	1	-----	VMT2
6	36160-ZB4-013	SOLENOID ASSY. ....	-	1	-	1	-----	VMT2
7	90013-883-000	BOLT, FLANGE, 6X12(CT200) ...	-	1	-	1	-----	VMT2
8	91502-ZB4-701	BUSH, AUTO-THROTTLE LEVER ...	-	1	-	1	-----	VMT2
9	93500-05008-0A	SCREW, PAN, 5X8 .....	-	2	-	2	-----	VMT2
10	94305-20062	PIN, SPRING, 2X6 .....	-	1	-	1	-----	VMT2
11	94540-04018	E-RING, 4MM .....	-	1	-	1	-----	VMT2





Ref. No.	L.O.N.	(Relative ref. Number) Description	F.R.T.
1	2141Y6	CASE, REDUCTION(R-TYPE) .....	0.4
2	2141R1	COVER, REDUCTION .....	0.4
3	2141R2	PACKING, REDUCTION COVER .....	0.3
5	2141Z0	DISC, REDUCTION CLUTCH FRICTION .....	0.3
.NOTE: Same time for two units			
6	2141Z1	PLATE, REDUCTION CLUTCH .....	0.3
.NOTE: Same time for two units			
7	2141Z2	PLATE, REDUCTION CLUTCH PRESSURE .....	0.3
13	2141X1	SPROCKET, POWER TAKE OFF DRIVE CHAIN(R-TYPE) .....	0.3
14	2141W3	CHAIN, POWER TAKE OFF DRIVE (R-TYPE) .....	0.3
15	2141V8	SHAFT, POWER TAKE OFF(R-TYPE)	0.3
21	2141AB	OIL SEAL, REDUCTION CASE .....	0.3
22	2141X4	OIL SEAL, POWER TAKE OFF SHAFT (R-TYPE) :REAR .....	0.3
31	2141Y5	BEARING, POWER TAKE OFF SHAFT (R-TYPE) :FRONT .....	0.4
32	2141X9	BEARING, POWER TAKE OFF SHAFT (R-TYPE) :REAR .....	0.4

Ref. No.	Part No.	Description	Reqd. QTY				Serial No.	Parts catalogue code
			GX 240 UT1	GX 240 RT1	GX 240 UT2	GX 240 RT2		
1	21510-889-750	CASE, REDUCTION .....	1	-	1	-	RA2,RHQ4	
2	21610-889-750	COVER, REDUCTION .....	1	-	1	-	RA2,RHQ4	
3	21691-889-750	PACKING, REDUCTION COVER .....	1	-	1	-	RA2,RHQ4	
4	22121-889-750	CENTER, CLUTCH(28T) .....	1	-	1	-	RA2,RHQ4	
5	22201-822-610	DISK, CLUTCH FRICTION .....	2	-	2	-	RA2,RHQ4	
6	22311-822-610	PLATE, CLUTCH .....	2	-	2	-	RA2,RHQ4	
7	22350-822-610	PLATE COMP., CLUTCH PRESSURE .....	1	-	1	-	RA2,RHQ4	
8	22411-822-611	SPRING, CLUTCH FREE .....	4	-	4	-	RA2,RHQ4	
9	22421-822-610	HOLDER, CLUTCH SPRING .....	4	-	4	-	RA2,RHQ4	
10	22521-822-610	WEIGHT, CLUTCH .....	48	-	48	-	RA2,RHQ4	
11	22531-889-750	HOLDER, CLUTCH WEIGHT .....	1	-	1	-	RA2,RHQ4	
12	22535-822-610	CENTER, CLUTCH WEIGHT .....	1	-	1	-	RA2,RHQ4	
13	23120-889-750	SPROCKET COMP., DRIVE(14T) ..	1	-	1	-	RA2,RHQ4	
14	23161-822-611	CHAIN, DRIVE(RK428SH-36LE) ..	1	-	1	-	RA2,RHQ4	
15	23711-822-610	SHAFT COMP., P.T.O.(28T) .....	1	-	1	-	RA2,RHQ4	
16	25620-805-612	CAP, REDUCTION OIL(GRAY) ....	1	-	1	-	RA2,RHQ4	
17	25651-889-750	GAUGE, OIL LEVEL .....	1	-	1	-	RA2,RHQ4	
18	90403-889-000	WASHER, THRUST, 25MM .....	1	-	1	-	RA2,RHQ4	
19	90741-805-000	KEY, 7X7X33 .....	1	-	1	-	RA2,RHQ4	
	90741-889-810	KEY, 7X7X33(YELLOW)(O/S) .....	(1)	-	(1)	-	RA2,RHQ4	
20	90741-889-000	KEY, CLUTCH CENTER .....	1	-	1	-	RA2,RHQ4	
21	91201-890-003	OIL SEAL, 30X46X8 .....	1	-	1	-	RA2,RHQ4	
22	91202-22F-801	OIL SEAL, 30X50X7 .....	1	-	1	-	RA2,RHQ4	
23	91301-805-000	O-RING, 26X2.7 .....	1	-	1	-	RA2,RHQ4	
24	92101-08035-0A	BOLT, HEX., 8X35 .....	1	-	1	-	RA2,RHQ4	



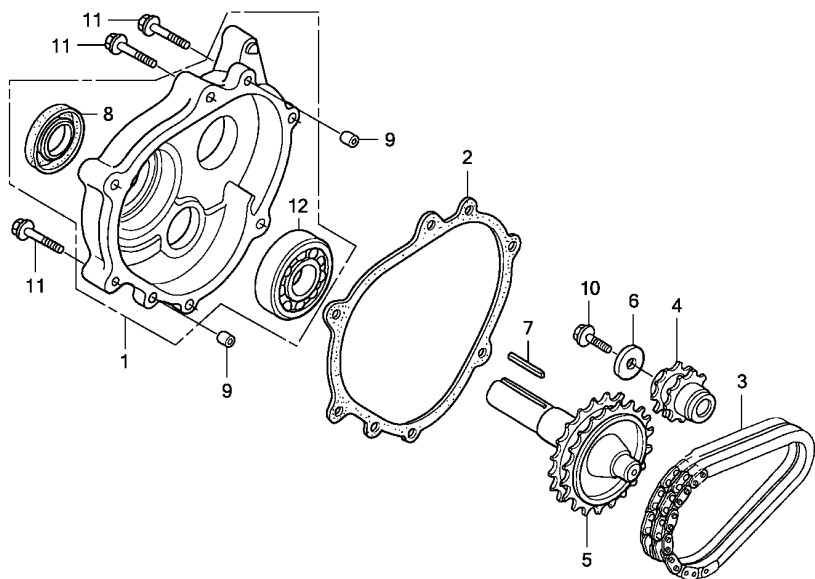
Ref. No.	Part No.	Description	Reqd. QTY				Serial No.	Parts catalogue code
			GX 240 UT1	GX 240 RT1	GX 240 UT2	GX 240 RT2		
25	92800-12000	BOLT, DRAIN PLUG, 12MM .....	1	-	1	-	RA2,RHQ4	
26	94109-12000	WASHER, DRAIN PLUG, 12MM ....	1	-	1	-	RA2,RHQ4	
27	94111-08800	WASHER, SPRING, 8MM .....	1	-	1	-	RA2,RHQ4	
28	94301-08140	DOWEL PIN, 8X14 .....	2	-	2	-	RA2,RHQ4	
29	95701-06050-08	BOLT, FLANGE, 6X50 .....	9	-	9	-	RA2,RHQ4	
30	95701-08032-08	BOLT, FLANGE, 8X32 .....	4	-	4	-	RA2,RHQ4	
31	96100-62050-00	BEARING, RADIAL BALL, 6205 ..	1	-	1	-	RA2,RHQ4	
32	96100-62060-00	BEARING, RADIAL BALL, 6206 ..	1	-	1	-	RA2,RHQ4	



E-26-1

REDUCTION(2)

H 3



Z8S0E2801

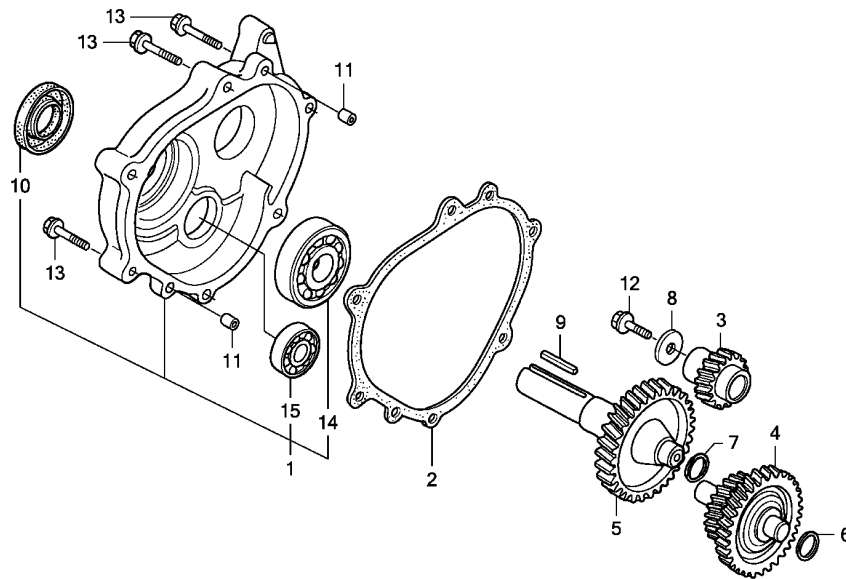
Ref. No.	L.O.N.	(Relative ref. Number) Description	F.R.T.
1		(2)	
2141W9		COVER, CHAIN CASE AND/OR PACKING, CHAIN CASE COVER (L-TYPE) .....	0.2
3 2141W2		CHAIN, POWER TAKE OFF DRIVE (L-TYPE) .....	0.2
4 2141X0		SPROCKET, POWER TAKE OFF DRIVE CHAIN(L-TYPE) .....	0.2
5 2141V7		SHAFT, POWER TAKE OFF(L-TYPE)	0.2
8 2141X3		OIL SEAL, POWER TAKE OFF SHAFT (L-TYPE) :REAR .....	0.2
12 2141X8		BEARING, POWER TAKE OFF SHAFT (L-TYPE) :REAR .....	0.3

Ref. No.	Part No.	Description	Reqd. QTY				Serial No.	Parts catalogue code
			GX 240 UT1	GX 240 RT1	GX 240 UT2	GX 240 RT2		
1	11500-Z8S-610	COVER ASSY., CHAIN CASE .....	1	-	1	-	-----	LHE4,LX2,LXQ4
2	11521-ZE2-800	PACKING, CHAIN CASE COVER ...	1	-	1	-	-----	LHE4,LX2,LXQ4
3	14411-ZE2-611	CHAIN, P.T.O. DRIVE .....	1	-	1	-	-----	LHE4,LX2,LXQ4
4	23110-ZE2-610	SPROCKET, DRIVE(14T) .....	1	-	1	-	-----	LHE4,LX2,LXQ4
5	23710-ZE2-610	SHAFT, P.T.O.(28T) .....	1	-	1	-	-----	LHE4,LX2,LXQ4
6	90473-842-000	WASHER, 8MM .....	1	-	1	-	-----	LHE4,LX2,LXQ4
7	90741-805-000	KEY, 7X7X33 .....	1	-	1	-	-----	LHE4,LX2,LXQ4
	90741-889-810	KEY, 7X7X33(YELLOW)(O/S) .....	(1)	-	(1)	-	-----	LHE4,LX2,LXQ4
8	91201-Z1D-003	OIL SEAL, 30X46X8 .....	1	-	1	-	-----	LHE4,LX2,LXQ4
9	94301-08140	DOWEL PIN, 8X14 .....	2	-	2	-	-----	LHE4,LX2,LXQ4
10	95701-08025-00	BOLT, FLANGE, 8X25 .....	1	-	1	-	-----	LHE4,LX2,LXQ4
11	95701-08040-00	BOLT, FLANGE, 8X40 .....	6	-	6	-	-----	LHE4,LX2,LXQ4
12	96100-62060-00	BEARING, RADIAL BALL, 6206 ..	1	-	1	-	-----	LHE4,LX2,LXQ4

E-26-2

REDUCTION(3)

H 4

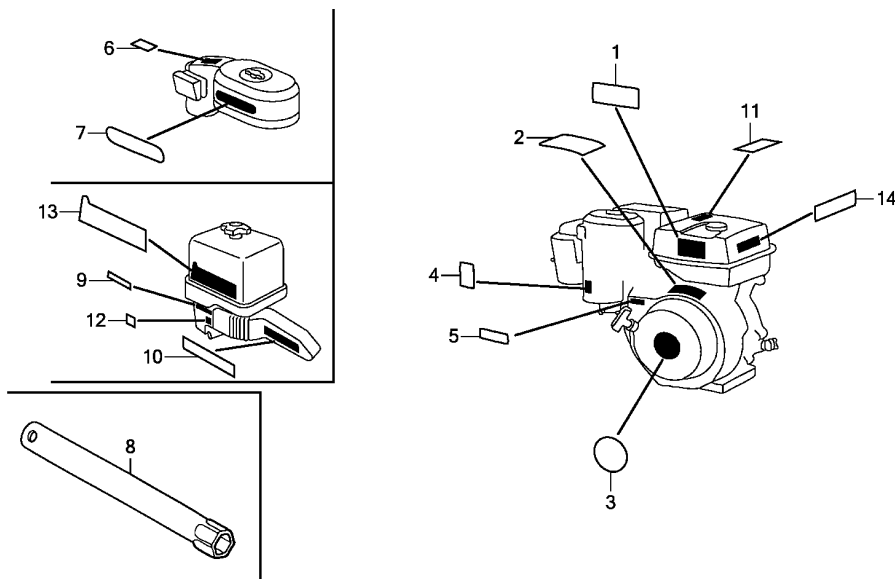


Ref. No.	L.O.N.	(Relative ref. Number) Description	F.R.T.
1		(2) COVER, REDUCTION AND/OR PACKING, REDUCTION COVER (H-TYPE) .....	0.2
3	2141L2	GEAR, PRIMARY DRIVE .....	0.2
4	2141Z9	COUNTERSHAFT, REDUCTION (H-TYPE) .....	0.2
5	2141V9	SHAFT, POWER TAKE OFF(H-TYPE)	0.2
10	2141X5	OIL SEAL, POWER TAKE OFF SHAFT (H-TYPE) :REAR .....	0.2
14	2141Y0	BEARING, POWER TAKE OFF SHAFT (H-TYPE) :REAR .....	0.3
15	2141AA	BEARING, REDUCTION COUNTERSHAFT(H-TYPE) :REAR ..	0.3

Ref. No.	Part No.	Description	Reqd. QTY				Serial No.	Parts catalogue code
			GX 240 UT1	GX 240 RT1	GX 240 UT2	GX 240 RT2		
1	11500-Z8S-620	COVER ASSY., REDUCTION CASE	1	-	1	-	-----	HA2
2	11521-ZE2-800	PACKING, CHAIN CASE COVER	1	-	1	-	-----	HA2
3	22103-ZE2-620	GEAR, PRIMARY DRIVE(17T)	1	-	1	-	-----	HA2
4	23220-ZE2-621	COUNTERSHAFT COMP.(18T/40T)	1	-	1	-	-----	HA2
5	23710-ZE2-621	SHAFT, P.T.O.(46T)	1	-	1	-	-----	HA2
6	90401-ZE2-620	SHIM A	N	-	N	-	-----	HA2
7	90402-ZE2-620	SHIM B	N	-	N	-	-----	HA2
8	90473-842-000	WASHER, 8MM	1	-	1	-	-----	HA2
9	90745-ZE2-600	KEY, 6.3X6.3X43	1	-	1	-	-----	HA2
10	91201-Z1D-003	OIL SEAL, 30X46X8	1	-	1	-	-----	HA2
11	94301-08140	DOWEL PIN, 8X14	2	-	2	-	-----	HA2
12	95701-08025-00	BOLT, FLANGE, 8X25	1	-	1	-	-----	HA2
13	95701-08040-00	BOLT, FLANGE, 8X40	6	-	6	-	-----	HA2
14	96100-62060-00	BEARING, RADIAL BALL, 6206	1	-	1	-	-----	HA2
15	96100-63020-00	BEARING, RADIAL BALL, 6302	1	-	1	-	-----	HA2

2



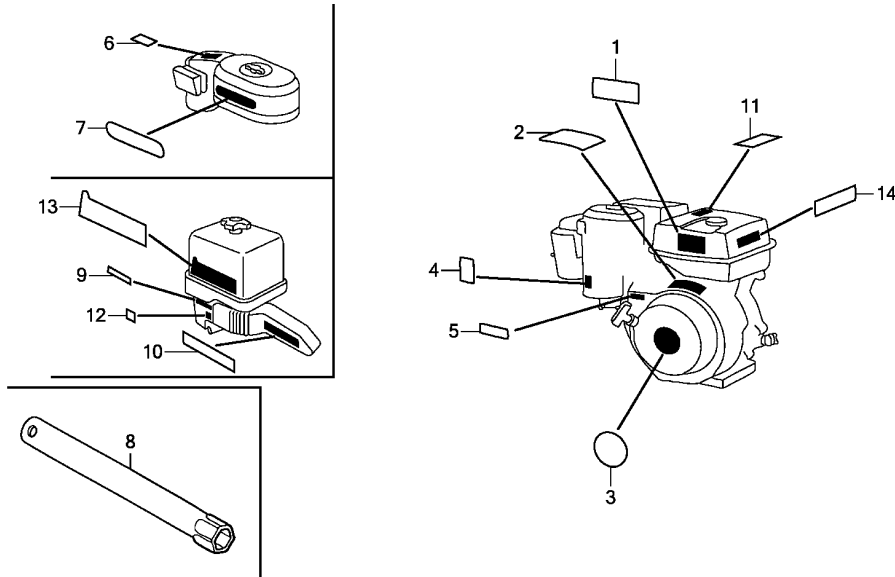


Z8S0E2800A

Ref. L.O.N. (Relative ref. Number) F.R.T.  
No. Description

NO INFORMATION .....

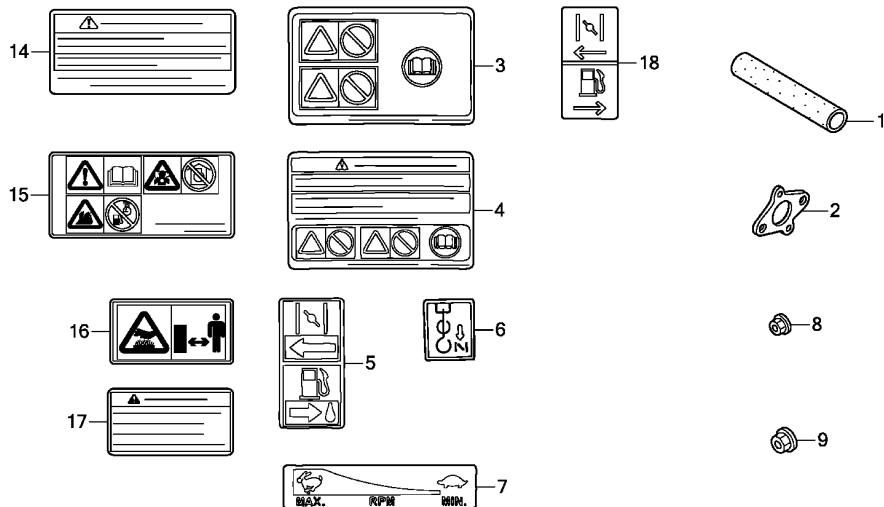
Ref. No.	Part No.	Description	Reqd. QTY				Serial No.	Parts catalogue code
			GX 240 UT1	GX 240 RT1	GX 240 UT2	GX 240 RT2		
1	87516-Z4H-000	MARK, OPERATOR CAUTION (ENGLISH)(MADE IN THAI)	1	-	-	-	HA2,LHE4,LX2,LXQ4,PA2,QA2,QAE2,QAG2,QAR2,QHQ4,QXB7,QXB9,QXC9,QXE4,QXQ4,QXU,RA2,RHQ4,SXE4, SXQ4, SXU,VXB7,VXB9,VXQ4,WKT2	
2	87516-Z4H-000	MARK, OPERATOR CAUTION (ENGLISH)(MADE IN THAI)	-	1	-	-	VTA2	
3	87521-ZE2-W04 87521-Z8S-000	EMBLEM(GX240)	1 -	1 -	- 1	- 1	HA2,LX2,LXQ4,PA2,QA2,QAE2,QAG2,QAR2,QHB2,QHB4,QHQ4,QXB7,QXB9,QXE4,QXQ4,QXU,RA2,SXE4, SXQ4, VMT2,VXB7,VXB9,WKT2	
4	87528-ZH7-000 87528-Z5T-000	MARK, CHOKE (GRAY)	1 -	1 -	- 1	- -	HA2,LHE4,LX2,LXQ4,PA2,QA2,QAE2,QAG2,QAR2,QHQ4,QXB7,QXB9,QXC9,QXE4,QXQ4,QXU,RA2,RHQ4,SXE4, SXQ4, SXU,VTA2,VXB7,VXB9,VXQ4,WKT2	
5	87532-ZH7-000	MARK, THROTTLE INDICATION	1	1	1	-	HA2,LHE4,LX2,LXQ4,PA2,QA2,QAE2,QAG2,QAR2,QHQ4,QXB7,QXB9,QXC9,QXE4,QXQ4,QXU,RA2,RHQ4,SXE4, SXQ4, SXU,VTA2,VXB7,VXB9,VXQ4,WKT2	
6	87534-ZE1-841	LABEL, AIR CLEANER CAUTION	1	-	-	-	QXC9	
7	87535-ZE1-841	MARK, AIR CLEANER SALES POINT	1	-	-	-	QXC9	
8	89216-Z0T-800	WRENCH, SPARK PLUG	(1)	(1)	-	-	HA2,PA2,QA2,QAE2,QAR2,RA2,VTA2	
	89218-ZE1-000	WRENCH COMP., SPARK PLUG	1	-	(1)	-	QAG2,WKT2	
9	87528-Z2E-800	MARK, CHOKE	-	-	1	-	HA2,PA2,QAG2,QAR2,QZA2,QZAV,RA2	
10	87531-Z5K-W00	MARK, HONDA	-	-	1	-	QA2,QAE2	
			-	-	1	-	QZA2,QZAV,QZX4	
11	87539-Z0J-000	MARK, EX. CAUTION(ENGLISH)	-	-	1	-	HA2,LX2,PA2,QAG2,QAR2,QXU,QZA2,QZAV,RA2,WKT2	
12	87565-Z5T-W00	MARK, FUEL	-	-	1	-	QZA2,QZAV,QZX4	
13	87602-Z8S-W00	MARK, SALES POINT	-	-	1	-	QZA2,QZAV,QZX4	
14	87516-Z4H-010	MARK, OPERATOR CAUTION (ENGLISH)(MADE IN THAI)	-	-	1	-	HA2,LX2,PA2,QA2,QAE2,QAG2,QAR2,QXU,QZA2,QZAV,RA2,WKT2	



Z8S0E2800A

Ref. No.	Part No.	Description	Reqd. QTY				Serial No.	Parts catalogue code
			GX 240 UT1	GX 240 RT1	GX 240 UT2	GX 240 RT2		
14)	87519-Z4H-000	MARK, OPERATOR CAUTION (PICTOGRAPH)	-	-	1	-	----- LXQ4, QHQ4, QXB7, QXB9, QXE4, QXQ4, QZX4, SXE4, SXQ4, VXB7, VXB9	





Z8S0E4000B

Ref. L.O.N. (Relative ref. Number) F.R.T.  
No. Description

NO INFORMATION .....

Ref. No.	Part No.	Description	Reqd. QTY				Serial No.	Parts catalogue code
			GX 240 UT1	GX 240 RT1	GX 240 UT2	GX 240 RT2		
1	16854-ZH8-000	RUBBER, SUPPORTER(107MM) .....	-	1	-	-	VTA2	
2	18333-ZF6-W01	GASKET, EX. PIPE .....	-	1	-	1	VMT2	
3	87516-ZH7-810	MARK, OPERATOR CAUTION (PICTOGRAPH)(MADE IN JAPAN)	(1)	(1)	-	-	QHB2,QHB4,VMT2	
4	87516-Z4H-800	MARK, OPERATOR CAUTION(FRENCH) (MADE IN THAI)	1	1	-	-		
	87516-Z4H-000	MARK, OPERATOR CAUTION (ENGLISH)(MADE IN THAI)	1	1	-	-	QHB2,QHB4,VMT2	
5	87528-ZH7-000	MARK, CHOKE(GRAY) .....	1	-	-	-	QHB2,QHB4	
6	87528-898-620	MARK, CHOKE .....	-	1	-	1	VMT2	
7	87532-ZH7-000	MARK, THROTTLE INDICATION ...	1	1	1	1	QHB2,QHB4,VMT2	
8	94050-06000	NUT, FLANGE, 6MM .....	-	1	-	1	VMT2	
9	94050-08000	NUT, FLANGE, 8MM .....	-	2	-	2	VMT2	
14	87516-Z4H-801	MARK, OPERATOR CAUTION(FRENCH) (MADE IN THAI)	-	-	1	1		
	87516-Z4H-010	MARK, OPERATOR CAUTION (ENGLISH)(MADE IN THAI)	-	-	1	1	LXQ4,QHB2,QHB4,QHQ4,QXB7,QXB9,QXE4,QXQ4,QZX4,SXE4,SXQ4,VMT2 VXB7,VXB9	
15	87519-Z4H-000	MARK, OPERATOR CAUTION (PICTOGRAPH)	-	-	1	1	HA2,LX2,PA2,QAG2,QAR2,QHB2,QHB4,QXU,QZA2,QZAV,RA2,VMT2,WKT2	
16	87539-Z0J-800	MARK, EX. CAUTION(PICTOGRAPH)	-	-	1	-	HA2,LX2,PA2,QAG2,QAR2,QXU,QZA2,QZAV,RA2,WKT2	
17	87539-Z0J-810	MARK, EX. CAUTION(FRENCH) ...	-	-	1	-	HA2,LX2,LXQ4,PA2,QAG2,QAR2,QHB2,QHB4,QHQ4,QXB7,QXB9,QXE4,QXQ4 QXU,QZA2,QZAV,QZX4,RA2,SXE4,SXQ4,VXB7,VXB9,WKT2	
	87539-Z0J-000	MARK, EX. CAUTION(ENGLISH) ..	-	-	1	-	LXQ4,QHB2,QHB4,QHQ4,QXB7,QXB9,QXE4,QXQ4,QZX4,SXE4,SXQ4,VXB7 VXB9	
18	87528-Z5T-000	MARK, CHOKE .....	-	-	1	-	QHB2,QHB4	

# PART NO. INDEX

Part Number	Address	Page	Ref.	Part Number	Address	Page	Ref.	Part Number	Address	Page	Ref.	Part Number	Address	Page	Ref.
11000				13012-Z5K-004	D11	36	1	14751-Z1C-000	D13	38	10	16100-Z8S-F01	E10	51	8
11300-Z1D-000	D5	30	1	13013-Z5F-004	D11	36	1	14771-Z8S-000	D13	38	11	16100-Z8S-W01	E13	54	10
11300-Z1D-600	D5	30	1	13013-Z5K-004	D11	36	1					16100-Z8S-W11	E13	54	10
11300-Z5K-800	D8	33	1	13101-Z5K-000	D12	37	7	14773-Z8S-000	D13	38	12	16100-ZE2-W51	E7	48	9
11300-Z5K-W10	D8	33	2	13101-ZE2-W01	D11	36	2	14775-ZE2-010	D13	38	13	16110-Z8S-W01	E13	54	11
11300-Z5K-W60	D6	31	19	13102-Z5K-000	D12	37	7	14781-ZE2-000	D13	38	14	16110-Z8S-W02	E13	54	11
11300-ZE2-612	D7	32	1	13102-ZE2-W01	D11	36	2	14791-Z1D-000	D13	38	15	16111-Z5T-W01	E13	54	12
11300-ZE2-632	D5	30	1	13103-Z5K-000	D12	37	7	14791-ZE2-010	D13	38	15	16112-Z5T-W01	E13	54	13
11381-Z5K-000	D5	30	2	13103-ZE2-W01	D11	36	2					16113-Z5T-W01	E13	54	14
	D7	32	2	13104-Z5K-000	D12	37	7	15000				16115-Z5T-W01	E13	54	15
	D8	33	3	13104-ZE2-W01	D11	36	2	15510-ZE2-053	D3	28	2	16116-Z5T-W01	E13	54	16
11381-ZE2-801	D5	30	2	13111-Z5K-000	D11	36	3	15600-Z0T-820	D5	30	4	16117-Z5T-W01	E13	54	17
	D7	32	2	13111-ZE2-000	D11	36	3					16118-Z5T-W01	E13	54	18
11400-Z1D-600	D5	30	3	13200-Z1D-000	D11	36	4	15600-Z1C-000	D5	30	5	16119-Z5T-W01	E13	54	19
11400-Z8S-000	D5	30	3	13200-Z1D-305	D11	36	4					16124-Z5T-W01	E13	54	20
11400-ZE2-623	D7	32	3	13200-ZE2-305	D11	36	4	15625-Z0T-800	D5	30	6	16124-ZE0-005	E7	48	10
11500-Z8S-610	H3	92	1	13310-Z5K-W10	D9	34	2					16148-141-881	E10	51	9
11500-Z8S-620	H4	93	1	13310-ZE2-020	D9	34	1	15721-Z23-H60	F5	62	1	16166-ZE2-015	E10	51	11
11521-ZE2-800	H3	92	2	13310-ZE2-602	D9	34	2	15721-ZB4-000	F3	60	1	16166-ZE2-W70	E7	48	11
	H4	93	2	13310-ZE2-612	D9	34	3					16166-ZH9-W00	E7	48	11
				13310-ZE2-632	D9	34	4	16000				16166-ZH9-W00	E7	48	11
12000				13310-ZE2-672	D9	34	6	16010-ZE2-812	E6	47	1	16172-ZE3-W10	E8	49	12
12000-Z5K-405	D3	28	1	13310-ZH9-010	D9	34	1					16173-001-004	E8	49	13
12000-Z5K-406	D3	28	1	13310-ZH9-601	D9	34	2	16010-ZE3-701	E10	51	1	16178-ZJ0-911	E13	54	23
12000-Z5K-407	D3	28	1	13310-ZH9-611	D9	34	3	16011-ZA0-931	E6	47	2	16211-Z5K-W00	E14	55	24
12000-Z5K-Q00	D3	28	1	13310-ZH9-631	D9	34	4					16211-ZE2-000	E8	49	14
12000-Z5K-Q10	D3	28	1	13310-ZH9-631	D9	34	4	16013-Z1C-003	E10	51	2	16211-ZE2-010	E8	49	14
12000-Z5K-Q20	D3	28	1	13310-ZH9-801	D9	34	1					16211-ZE2-700	E10	51	13
12000-Z5K-Q60	D3	28	1	13310-ZH9-811	D9	34	2	16013-ZA0-931	E6	47	3	16211-ZE2-701	E10	51	13
12000-Z8S-405	D3	28	1	13310-ZH9-821	D9	34	3	16015-Z5T-901	E6	47	4	16212-Z5K-000	E8	49	17
12000-Z8S-406	D3	28	1	13310-ZH9-831	D9	34	5					16220-ZA0-702	E8	49	15
12000-Z8S-407	D3	28	1	13310-ZH9-841	D9	34	6	16015-ZA0-931	E10	51	4	16221-Z5K-000	E8	49	16
12000-Z8S-408	D3	28	1	13310-ZK2-601	D9	34	2	16015-ZE8-005	E6	47	4		E10	51	15
12000-Z8S-409	D3	28	1	13310-ZK2-671	D9	34	6	16016-ZH7-W01	E6	47	5	16221-ZA0-800	E8	49	16
12000-Z8S-Q10	D3	28	1	13310-ZK9-601	D9	34	2					E10	51	14	
12200-Z1D-405	D1	26	1	13310-ZK9-671	D9	34	6	16016-ZH8-W01	E6	47	5	16221-ZA0-800	E8	49	16
12204-ZE2-306	D1	26	2	13320-ZE2-020	D9	34	1					E10	51	14	
12205-ZE2-305	D1	26	3	13320-ZE2-602	D9	34	2	16024-124-760	E10	51	6	16223-ZA0-800	E8	49	17
12209-ZE8-003	D13	38	1	13320-ZE2-612	D9	34	3	16024-Z5T-901	E7	48	6		E10	51	15
12210-Z5K-405	D1	26	1	13320-ZE2-652	D9	34	5					E10	51	16	
12216-ZE2-300	D1	26	4	13320-ZE2-672	D9	34	6	16024-ZE1-811	E6	47	6	16230-ZE3-702	E10	51	16
12251-Z5K-003	D2	27	17	13351-ZE2-010	D9	34	7	16028-Z5T-901	E7	48	7	16252-ZA1-010	G16	89	1
12251-Z8S-801	D1	26	5	14000								16260-ZE3-D22	E10	51	17
12310-Z5T-000	D1	26	6	14100-Z5K-810	D13	38	2	16028-ZA0-931	E10	51	7	16261-ZE2-702	E10	51	18
12310-ZE2-020	D1	26	6	14100-Z5K-820	D13	38	2	16028-ZE0-005	E7	48	7	16262-ZE2-711	E10	51	19
12310-ZE3-791	D1	26	6	14100-ZE2-W01	D13	38	2	16044-Z8T-W01	E13	54	8	16263-ZA0-000	E10	51	20
12315-ZE3-840	D1	26	7	14100-ZK2-870	D13	38	2	16044-ZE2-005	E7	48	8	16264-ZE2-701	E11	52	21
12357-Z5T-010	D2	27	18	14100-ZK2-880	D13	38	2	16045-Z5T-W01	E13	54	9	16265-ZE2-721	E11	52	22
12391-ZE2-020	D1	26	8	14410-Z1D-000	D13	38	3	16100-Z8S-801	E7	48	9	16268-893-000	G16	89	2
				14411-ZE2-611	H3	92	3	16100-Z8S-811	E7	48	9	16268-ZE2-721	E11	52	23
				14431-ZE2-010	D13	38	4	16100-Z8S-912	E7	48	9	16269-ZA0-800	E11	52	24
13000				14441-ZE2-000	D13	38	5	16100-Z8S-931	E10	51	8	16611-ZE3-D21	E11	52	26
13010-Z5F-004	D11	36	1	14451-ZE1-013	D13	38	6					16612-Z5T-W01	E14	55	28
13010-Z5K-004	D11	36	1	14568-ZE1-000	D13	38	7								
13011-Z5F-004	D11	36	1	14711-Z5K-000	D13	38	8								
13011-Z5K-004	D11	36	1	14711-ZE2-000	D13	38	8								
13012-Z5F-004	D11	36	1	14721-Z5K-000	D13	38	9								
				14721-ZE2-000	D13	38	9								



# PART NO. INDEX

Part Number	Address	Page	Ref.	Part Number	Address	Page	Ref.	Part Number	Address	Page	Ref.	Part Number	Address	Page	Ref.
16613-893-000	E11	52	27		F2	59	6	18310-ZE2-W00	F6	63	2	19000			
16615-893-000	E11	52	28		F4	61	4	18310-ZE2-W61	F8	65	2	28400-Z5K-003ZB	D16	41	1
16646-Z5T-W01	E14	55	29	17232-898-000	F3	60	7	18310-ZK6-880	F8	65	2	28400-Z5T-W01ZA	E2	43	1
16648-Z5T-W01	E14	55	30	17233-896-701	F6	63	1	18320-Z5K-000	F10	67	2	28400-Z5T-W01ZB	E2	43	1
16731-ZE2-003	E3	44	1		F8	65	1	18320-Z5K-800	F10	67	2	28400-ZE2-W01ZB	D16	41	1
16755-Z5T-W00	G3	76	1		F11	68	14	18320-ZE2-W01	F6	63	3	28400-ZE2-W01ZG	D16	41	1
16854-Z5K-000	F13	70	1	17233-Z23-H60	F5	62	9	18320-ZE2-W61	F8	65	3	28400-ZE2-W01ZN	D16	41	1
16854-ZH8-000	E8	49	19	17235-899-000	F3	60	8	18320-ZF6-W01	F8	65	3	28410-Z5T-W01	E2	43	2
	F13	70	1	17235-Z5H-000	E16	57	6	18323-ZE2-W00	F6	63	4	28410-Z5T-W01ZA	E2	43	2
	H7	96	1	17235-Z5K-000	F4	61	5		F10	67	3	28410-Z5T-W01ZB	E2	43	2
16953-ZE1-812	E8	49	20	17235-ZE2-820	E16	57	6	18330-ZE2-W00	F6	63	5	28410-ZE2-W01ZB	D16	41	2
	E14	55	31	17235-ZH9-N01	F1	58	6	18330-ZH9-N00	F8	65	4	28410-ZE2-W01ZG	D16	41	2
16954-ZE1-812	E8	49	21	17236-899-000	F3	60	9	18331-Z5T-000	F10	67	4	28410-ZE2-W01ZN	D16	41	2
	E14	55	32	17238-ZE2-310	E15	56	4	18331-ZE2-810	F6	63	6	28411-Z5T-W01	E2	43	3
16955-ZE1-000	F13	70	2		E16	57	7		F10	67	5	28421-Z5T-W01	E2	43	4
16955-ZE1-010	F13	70	2		F1	58	7	18331-ZE3-811	F10	67	5	28421-ZE2-W01	D16	41	3
16956-ZE1-811	E8	49	22		F2	59	7	18333-Z1C-801	F6	63	7	28422-ZE2-W01	D16	41	4
	E14	55	33		F4	61	6		F10	67	6		E2	43	5
16957-ZE1-812	E8	49	23	17238-ZE7-710	F5	62	10	18333-ZF6-W01	F8	65	5	19630-Z5K-W00	G10	83	31
	E14	55	34	17239-ZE1-000	E15	56	5		H7	96	2	19631-Z5K-000	E3	44	3
16959-Z5T-901	E9	50	31		E16	57	8	18336-ZE3-000	F11	68	15		E5	46	3
	E14	55	35		F1	58	8	18350-Z5T-800	F10	67	7	19631-ZE2-D00	E3	44	3
16967-ZE0-811	E8	49	24		F4	61	7	18355-ZE2-010	F6	63	8				
	E14	55	36	17239-ZE3-840	F2	59	8		F8	65	6	21000			
				17252-899-000	F3	60	10	18355-ZE2-W00	F8	65	6	21510-889-750	H1	90	1
17000				17316-611-000	D1	26	9	18381-Z1C-801	F6	63	10	21610-889-750	H1	90	2
				17367-413-690	F3	60	11		F8	65	8	21691-889-750	H1	90	3
17210-Z5K-W00	F4	61	1	17410-Z5K-000	F4	61	8		F11	68	16				
17210-ZE2-822	E16	57	2	17410-Z5K-W00	F4	61	8	18381-Z8S-801	F6	63	9	22000			
	F4	61	1	17410-ZE2-020	E15	56	6		F8	65	7				
17210-ZE3-010	F1	58	2		E16	57	9		F10	67	8	22103-ZE2-620	H4	93	3
	F2	59	2	17410-ZE3-840	F2	59	9	18381-ZE2-800	F6	63	10	22121-889-750	H1	90	4
17211-899-000	F3	60	2	17410-ZH9-N00	F1	58	9		F8	65	8	22201-822-610	H1	90	5
	F5	62	2	17417-Z5T-000	F4	61	9	18381-ZE2-801	F11	68	16	22311-822-610	H1	90	6
17211-ZE2-000	E15	56	1	17420-ZE2-000	E15	56	7	18381-ZE2-W10	F6	63	9	22350-822-610	H1	90	7
17212-Z5R-000	F3	60	3	17470-ZE3-842	F2	59	10		F8	65	7	22411-822-611	H1	90	8
17212-ZE2-000	E15	56	2	17475-ZE3-841	F2	59	11		F10	67	8	22421-822-610	H1	90	9
17218-ZE2-821	E16	57	3	17476-ZE3-841	F2	59	12	18430-ZF6-W50	F11	68	17	22521-822-610	H1	90	10
	F4	61	2	17510-Z5K-000ZA	F13	70	3	18430-ZK9-W50	F8	65	9	22531-889-750	H1	90	11
17218-ZE3-000	F1	58	3	17510-Z5K-000ZB	F13	70	3	18433-ZF6-W40	F8	65	10	22535-822-610	H1	90	12
	F2	59	3	17510-Z5K-000ZD	F13	70	3	18433-ZK9-W40	F6	63	11				
17219-ZE3-840	F2	59	4	17510-Z5K-000ZE	F13	70	3	18433-ZK9-W41	F11	68	18	23000			
17220-Z23-S30	F5	62	3	17510-Z5K-800	F13	70	3	18434-ZF6-W40	F8	65	11				
17220-Z5R-000	F3	60	4	17510-Z8S-880ZA	F13	70	3	18434-ZK9-W40	F6	63	12	23110-ZE2-610	H3	92	4
17222-Z21-F60	F5	62	4	17510-Z8S-880ZB	F13	70	3	18434-ZK9-W41	F11	68	19	23120-889-750	H1	90	13
17222-ZB4-000	F3	60	5	17510-Z8S-880ZC	F13	70	3	18436-ZH8-W40	F6	63	13	23161-822-611	H1	90	14
17223-Z23-000	F5	62	5	17510-ZE2-801ZA	F13	70	3		F8	65	12	23220-ZE2-621	H4	93	4
17223-Z23-S30	F5	62	6	17510-ZE2-801ZB	F13	70	3		F11	68	20	23710-ZE2-610	H3	92	5
17228-Z5T-000	E12	53	50	17510-ZE2-801ZC	F13	70	3	18437-Z5T-000	F11	68	21	23710-ZE2-621	H4	93	5
17229-Z23-H60	F5	62	7	17532-ZK6-881	F13	70	4	18437-ZF6-W40	F6	63	14	23711-822-610	H1	90	15
17230-ZE3-841	F2	59	5	17534-ZK6-881	F13	70	5		F9	66	13				
17231-899-000	F3	60	6	17536-ZK6-880	F13	70	6	18438-ZF6-W40	F6	63	15	25000			
17231-Z23-H60	F5	62	8	17620-Z4H-020	F13	70	7		F9	66	14				
17231-Z5K-000	F4	61	3	17631-Z0T-801	F13	70	8	18466-ZH8-W40	F7	64	16	25620-805-612	H1	90	16
17231-ZE2-000	E15	56	3	17672-Z4H-000	F13	70	9		F9	66	15	25651-889-750	H1	90	17
17231-ZH9-820	E16	57	4						F11	68	22				
17231-ZH9-N01	F1	58	4	18000								28000			
17232-891-000	E16	57	5												
	F1	58	5	18310-Z5K-000	F10	67	1					28400-Z5K-003ZA	D16	41	1



# PART NO. INDEX

Part Number	Address	Page	Ref.	Part Number	Address	Page	Ref.	Part Number	Address	Page	Ref.	Part Number	Address	Page	Ref.
90206-ZE1-000	D14	39	17	91000				94000				95005-35065-10	E11	52	45
90301-782-000	F7	64	24									95005-35130-10	E12	53	46
	F9	66	22	91001-ZH9-003	D10	35	10	94001-04390-0S	G12	85	19	95701-06012-00	D4	29	13
	F12	69	28	91201-889-003	D6	31	14		G14	87	23	95701-06032-08	F5	62	15
90302-KF9-900	F7	64	25	91201-890-003	H1	90	21	94050-05000	F3	60	13	95701-06050-08	H2	91	29
	F9	66	23	91201-Z1D-003	D4	29	8	94050-06000	E2	43	16	95701-08025-00	F14	71	15
	F12	69	29		D6	31	14		E11	52	39		H3	92	10
90325-044-000	E15	56	9		D8	33	14		E15	56	10		H4	93	12
	E16	57	11		H3	92	8		E16	57	13	95701-08032-08	H2	91	30
	F1	58	11		H4	93	10		F1	58	12	95701-08035-00	D6	31	16
	F2	59	15	91202-Z2F-801	H1	90	22		F2	59	16		D7	32	15
	F4	61	12	91301-805-000	H1	90	23		F3	60	14		D8	33	16
90380-MA6-010	G11	84	14	91309-Z6L-000	D4	29	19		F4	61	13	95701-08040-00	G5	78	19
	G14	87	17	91353-671-004	D4	29	9		F5	62	14		G7	80	25
90380-MB2-000	G15	88	16		F14	71	11		G10	83	30		H3	92	11
90401-ZE2-620	H4	93	6	91406-ZE2-003	G11	84	17		H7	96	8		H4	93	13
90402-ZE2-620	H4	93	7		G14	87	20	94050-08000	F7	64	28	95701-10040-00	G6	79	22
90403-889-000	H1	90	18	91424-Z5F-802	E8	49	25		F9	66	26	95701-10080-00	D2	27	15
90403-ZH9-003	G7	80	21		F14	71	12		F11	68	13				
90413-ZK6-880	D14	39	18	91424-Z5K-003	F14	71	12		F14	71	13	96000			
90431-ZE2-700	E11	52	32	91502-ZB4-701	G16	89	8		H7	96	9				
90432-ZE2-700	E11	52	33	91541-S0A-003	G10	83	33	94050-10000	D4	29	10	96100-62020-00	D4	29	14
90433-ZE2-700	E11	52	34	91565-SEL-003	G15	88	18	94070-06080	G5	78	18		D6	31	17
90434-ZE2-700	E11	52	35	91601-ZE2-003	G5	78	16		G7	80	24		D7	32	16
90441-ZE2-010	D2	27	13		G7	80	22	94070-08080	G6	79	21		D8	33	17
90446-KE1-000	D4	29	7					94101-04800	G12	85	20	96100-62040-00	D7	32	17
90473-842-000	H3	92	6	92000					G14	87	24	96100-62050-00	H2	91	31
	H4	93	8					94101-06800	D6	31	15	96100-62060-00	D6	31	18
90551-ZE1-000	D11	36	6	92101-08035-0A	H1	90	24		D7	32	14		D7	32	18
90601-Z5T-W00	G15	88	17	92800-12000	H2	91	25		D8	33	15		D8	33	18
90602-ZE1-000	D6	31	12	92900-08032-0E	D2	27	12	94103-05000	E11	52	40		D10	35	10
	D7	32	12					94103-05700	F7	64	29		H2	91	32
	D8	33	12	93000					F9	66	27		H3	92	12
90605-230-000	G10	83	25						F12	69	31		H4	93	14
90630-751-000	G2	75	19	93500-03006-1H	E8	49	26	94109-12000	D4	29	11	96100-63020-00	D7	32	19
	G11	84	15		E14	55	37		H2	91	26		H4	93	15
	G14	87	18	93500-03012-0H	G14	87	21	94111-04800	G12	85	21				
90634-ZL8-H00	E16	57	12	93500-04006-0H	G10	83	26		G14	87	25	98000			
	F3	60	12	93500-04012-0H	G11	84	18	94111-05000	F7	64	30				
90650-SD9-003	E11	52	36		G14	87	22		F9	66	28	98079-55846	D2	27	16
90672-SA0-003	G11	84	16	93500-05008-0A	G16	89	9	94111-08800	H2	91	27	98079-55855	D2	27	16
	G14	87	19	93500-05012-0A	E11	52	37	94251-10000	D4	29	12	98079-55876	D2	27	16
90684-ZA0-601	F16	73	14	93500-05016-0A	G10	83	27	94301-08140	H2	91	28	98079-56855	D2	27	16
	G2	75	25	93500-05028-0A	G10	83	28		H3	92	9	98079-56876	D2	27	16
90701-HC4-000	D6	31	13	93500-05035-0A	G10	83	29		H4	93	11	98200-30500	G14	87	26
	D7	32	13	93891-04008-08	G15	88	19	94301-12200	D2	27	14	98200-31500	G12	85	22
	D8	33	13	93891-04010-08	G15	88	20	94305-20062	G16	89	10		G14	87	26
90741-805-000	D10	35	9	93891-04020-07	G3	76	3	94305-20122	E8	49	27	98200-32500	G12	85	22
	H1	90	19	93891-05012-00	F7	64	26	94540-02010	E11	52	41	98200-43000	G15	88	23
	H3	92	7		F9	66	24	94540-04010	E11	52	42				
90741-889-000	H1	90	20	93891-06020-07	F7	64	27	94540-04018	G16	89	11	99000			
90741-889-810	D10	35	9		F9	66	25	94540-07010	E11	52	43				
	H1	90	19		F12	69	30					99101-ZH8-0750	E12	53	47
	H3	92	7	93892-05012-18	E11	52	38	95000				99101-ZH8-0780	E12	53	47
90741-ZE2-000	D9	34	8	93892-05032-18	G5	78	17						E14	55	38
90745-ZE2-600	D10	35	9		G7	80	23	95002-02070	E11	52	44	99101-ZH8-0800	E9	50	29
	H4	93	9	93893-04020-08	G15	88	21	95002-40800-08	E8	49	28		E12	53	47
90802-Z6L-000	F5	62	12	93913-24310	G15	88	22		F14	71	14		E14	55	38
90854-ZB3-000	F5	62	13	93913-25580	E5	46	11	95005-11100-30	D1	26	7	99101-ZH8-0820	E8	49	29

# PART NAME INDEX

J 1

Part name	Address	Page	Ref.	Part name	Address	Page	Ref.	Part name	Address	Page	Ref.
[ A ]											
ALERT UNIT, OIL .....	D3	28	4	BOLT, FLANGE, 10X80 .....	D2	27	15	BOX ASSY., CONTROL .....	G15	88	1
	G11	84	9	BOLT, FLANGE, 5X18 .....	F5	62	11	BRACKET A, HARNESS .....	D4	29	15
	G13	86	10	BOLT, FLANGE, 6X10 .....	E1	42	12	BRACKET B, HARNESS .....	G1	74	3
ARMATURE COMP. ....	G4	77	9		F13	70	10	BRACKET, CASE MOUNTING .....	G11	84	3
	G6	79	14	BOLT, FLANGE, 6X12 .....	D3	28	5		G13	86	4
	G7	80	11		D4	29	13	BRACKET, CENTER .....	G4	77	3
ARM COMP., GOVERNOR .....	G8	81	1						G7	80	6
ARM, CHOKE .....	E13	54	13		E3	44	7	BRACKET, FR. ....	G4	77	4
ARM, GOVERNOR .....	G8	81	2		E5	46	9		G7	80	7
ARM, MANUAL START .....	E13	54	9		F7	64	17	BRACKET, SWITCH BOX .....	G15	88	2
ARM, VALVE ROCKER .....	D13	38	4		F10	67	10	BRUSH .....	G4	77	7
ARRESTER COMP., SPARK .....	F10	67	7		F16	73	11		G6	79	10
ARRESTER, SPARK .....	F6	63	8		G1	74	16	BUSH, ARM PIVOT .....	E11	52	30
	F8	65	6		G10	83	21	BUSH, AUTO-THROTTLE LEVER .....	G16	89	8
AUTO-THROTTLE ASSY. ....	G16	89	3					[ C ]			
[ B ]											
BAND .....	G11	84	8	BOLT, FLANGE, 6X16 .....	D4	29	18	CAMSHAFT ASSY. ....	D13	38	2
	G13	86	9	BOLT, FLANGE, 6X25 .....	E5	46	10	CAP ASSY., NOISE SUPPRESSOR .....	F16	73	2
BARREL ASSY., CYLINDER .....	D3	28	1		G2	75	24		G1	74	4
BASE COMP., AIR CLEANER .....	F5	62	6	BOLT, FLANGE, 6X28 .....	F16	73	12	CAP ASSY., OIL FILLER .....	D5	30	4
BASE COMP., CONTROL .....	G9	82	16		G2	75	17		D7	32	4
BASE COMP., MUFFLER COVER .....	F6	63	13	BOLT, FLANGE, 6X32 .....	F5	62	15		D8	33	4
	F8	65	12		F16	73	13				5
	F11	68	20	BOLT, FLANGE, 6X50 .....	G2	75	18	CAP COMP., AIR CLEANER .....	E15	56	7
BEARING A .....	G6	79	8	BOLT, FLANGE, 8X25 .....	H2	91	29	CAP COMP., FUEL FILLER .....	F13	70	7
BEARING B .....	G6	79	9		F14	71	15	CAP, CHOKE DUST .....	E10	51	10
BEARING, RADIAL BALL .....	D10	35	10	BOLT, FLANGE, 8X32 .....	H3	92	10	CAP, CHOKE LEVER .....	G16	89	1
BEARING, RADIAL BALL, 6202 .....	D4	29	14		H4	93	12	CAP, MUFFLER .....	F6	63	6
	D6	31	17	BOLT, FLANGE, 8X35 .....	H2	91	30		F10	67	5
	D7	32	16		D6	31	16	CAP, PRE AIR CLEANER .....	F2	59	11
	D8	33	17	BOLT, FLANGE, 8X40 .....	D7	32	15	CAP, REDUCTION OIL .....	H1	90	16
BEARING, RADIAL BALL, 6204 .....	D7	32	17		D8	33	16	CAP, SEALING .....	E16	57	12
BEARING, RADIAL BALL, 6205 .....	H2	91	31		G5	78	19		F3	60	12
BEARING, RADIAL BALL, 6206 .....	D6	31	18	BOLT, GOVERNOR ARM .....	G7	80	25		F5	62	12
	D7	32	18		H3	92	11	CARBURETOR ASSY. ....	E7	48	9
	D8	33	18	BOLT, HEAD COVER .....	H4	93	13		E10	51	8
	D10	35	10	BOLT, HEX., 8X35 .....	G10	83	22	CARBURETOR SET .....	E13	54	10
	H2	91	32	BOLT, PIVOT, 8MM .....	D1	26	10	CASE COMP., AIR CLEANER .....	E13	54	11
	H3	92	12	BOLT, SPECIAL, 6MM .....	H1	90	24		F3	60	4
	H4	93	14	BOLT, STUD .....	D14	39	16	CASE COMP., MOTOR .....	F5	62	3
BEARING, RADIAL BALL, 6302 .....	D7	32	19	BOLT, STUD, 8X106 .....	E5	46	6	CASE COMP., PRE AIR CLEANER .....	F2	59	10
	H4	93	15	BOLT, STUD, 8X123 .....	E5	46	5	CASE COMP., RECOIL STARTER .....	D16	41	2
BOLT-WASHER, 5X14 .....	G5	78	14		D1	26	11		E2	43	2
	G7	80	19	BOLT, STUD, 8X131.5 .....	D1	26	11	CASE, CONTROL .....	G11	84	2
BOLT-WASHER, 6X18 .....	F4	61	10	BOLT, STUD, 8X32 .....	D2	27	12		G13	86	3
BOLT-WASHER, 6X22 .....	E15	56	8	BOLT, STUD, 8X40 .....	D2	27	12	CASE, REDUCTION .....	H1	90	1
	E16	57	10	BOLT, STUD, 8X98 .....	D1	26	11	CENTER, CLUTCH .....	H1	90	4
	F1	58	10	BOLT, THROUGH .....	G6	79	13	CENTER, CLUTCH WEIGHT .....	H1	90	12
	F2	59	13	BOX ASSY., CONTROL .....	G11	84	1	CHAIN, DRIVE .....	H1	90	14
	F4	61	10		G12	85	23	CHAIN, P.T.O. DRIVE .....	H3	92	3
BOLT B, STUD, .....	E5	46	8		G13	86	1	CHAMBER SET, FLOAT .....	E6	47	4
BOLT, CONNECTING ROD .....	D11	36	5						E10	51	4
BOLT, DRAIN PLUG, 12MM .....	H2	91	25						E13	54	4
BOLT, DRAIN PLUG, 12X15 .....	D3	28	6		G14	87	27	CHOKE SET .....	E7	48	8
BOLT, FLANGE, 10X40 .....	G6	79	22								



# PART NAME INDEX

J 2

Part name	Address	Page	Ref.	Part name	Address	Page	Ref.	Part name	Address	Page	Ref.
CHOKE SET .....	E13	54	8	COLLAR, FAN COVER .....	F11	68	23	[ D ]			
CIRCLIP, 5MM .....	G10	83	25	COLLAR, LEVER .....	E11	52	35	DEFLECTOR COMP., MUFFLER .....	F8	65	9
CLAMPER, CORD .....	F16	73	4	COLLAR, SETTING .....	E8	49	12		F11	68	17
					E10	51	12	DIAPHRAGM ASSY. ....	E11	52	25
	G1	74	5	COLLAR, STOPPER .....	G10	83	20	DISK, CLUTCH FRICTION .....	H1	90	5
				CONTACTOR ASSY. ....	G4	77	1	DOWEL PIN, 12X20 .....	D2	27	14
	G2	75	21		G7	80	4	DOWEL PIN, 8X12 .....	D6	31	13
CLAMP, TUBE .....	E8	49	28	CONTROL ASSY. ....	G8	81	6		D7	32	13
	F14	71	14						D8	33	13
CLIP A, AIR CLEANER WIRE .....	F3	60	8					DOWEL PIN, 8X14 .....	H2	91	28
CLIP B, AIR CLEANER WIRE .....	F3	60	9						H3	92	9
CLIP, BREATHER TUBE .....	D1	26	9		G9	82	9		H4	93	11
CLIP, COUPLER .....	G15	88	18	CONTROL UNIT, ELECTRONIC .....	G3	76	2	[ E ]			
CLIP, GOVERNOR HOLDER .....	D6	31	12	CORD, CHARGE COIL .....	G15	88	3	ELBOW COMP., AIR CLEANER .....	E15	56	6
	D7	32	12	CORD, EARTH .....	G15	88	4		E16	57	9
	D8	33	12	CORD, STOP SWITCH .....	F16	73	9		F1	58	9
CLIP, HARNESS .....	F16	73	14	COUNTERSHAFT COMP. ....	H4	93	4		F2	59	9
	G2	75	25	COVER .....	G6	79	12		F4	61	8
CLIP, HARNESS BAND .....	G10	83	33	COVER ASSY., CHAIN CASE .....	H3	92	1	ELEMENT COMP., AIR CLEANER .....	F4	61	1
CLIP, PISTON PIN, 18MM .....	D11	36	6	COVER ASSY., CRANKCASE .....	D5	30	1	ELEMENT, AIR CLEANER .....	E15	56	1
CLIP, PURSE LOCK .....	G2	75	19						E16	57	2
	G11	84	15						F1	58	2
	G14	87	18		D6	31	19		F2	59	2
CLIP, SPECIAL .....	E13	54	17		D7	32	1		F3	60	2
									F4	61	1
CLIP, TUBE .....	E3	44	1		D8	33	1		F5	62	2
	E11	52	44	COVER ASSY., FUSE .....	G15	88	12	EMBLEM .....	H5	94	3
CLIP, VALVE GUIDE .....	D1	26	4	COVER ASSY., REDUCTION CASE .....	H4	93	1	E-RING, 2MM .....	E11	52	41
CLIP, WIRE HARNESS .....	E11	52	36	COVER COMP., AIR CLEANER .....	F2	59	5	E-RING, 4MM .....	E11	52	42
CLUTCH COMP., OVERRUNNING .....	G4	77	6		F3	60	6		G16	89	11
	G6	79	6	COVER COMP., FAN .....	E3	44	2	E-RING, 7MM .....	E11	52	43
	G7	80	5		E5	46	1				
COIL ASSY., CHARGE .....	F16	73	7	COVER COMP., HEAD .....	D1	26	6				
				COVER COMP., MUFFLER .....	F6	63	11				
	G1	74	9		F8	65	10	[ F ]			
					F11	68	18	FAN, COOLING .....	F15	72	1
	G2	75	22	COVER COMP., RR. MUFFLER .....	F6	63	12	FILTER, CUP .....	E9	50	31
COIL ASSY., IGNITION .....	F16	73	1		F8	65	11		E14	55	35
	G1	74	1	COVER, AIR CLEANER .....	F11	68	19	FILTER, DRAIN TUBE .....	F3	60	11
COIL ASSY., LAMP .....	F16	73	3		E15	56	3	FILTER, FUEL .....	F13	70	9
	G2	75	20		E16	57	4	FILTER, OUTER .....	E16	57	3
COIL ASSY., POWER .....	G1	74	2		F1	58	4		F1	58	3
COLLAR B, AIR CLEANER .....	E15	56	5	COVER, AIR CLEANER CASE .....	F4	61	3	FLANGE COMP., BAFFLE .....	F11	68	15
	E16	57	8	COVER, CONTROL .....	G15	88	7	FLOAT SET .....	E6	47	3
	F1	58	8	COVER, CYLINDER HEAD .....	D1	26	6		E10	51	3
	F2	59	8	COVER, ELECTRONIC PARTS .....	E5	46	4		E13	54	3
	F4	61	7	COVER, RECOIL STARTER .....	E2	43	3	FLYWHEEL COMP. ....	F15	72	4
COLLAR SET, CLUTCH STOP .....	G6	79	2	COVER, REDUCTION .....	H1	90	2				
COLLAR, AIR CLEANER .....	E15	56	4	COVER, ROPE .....	E2	43	13				
	E16	57	7	CRANKSHAFT COMP. ....	D9	34	1				
	F1	58	7								
	F2	59	7								
	F4	61	6								
	F5	62	10								
COLLAR, AIR CLEANER CASE .....	F6	63	1								
	F8	65	1								
	F11	68	14								
COLLAR, CLUTCH STOP .....	G7	80	3	CUP, FUEL STRAINER .....	E8	49	24	FRAME COMP., COMMUTATOR END .....	G6	79	16
COLLAR, FAN COVER .....	E5	46	2		E14	55	36	FUSE, BLADE .....	G12	85	22
									G14	87	26

# PART NAME INDEX

J 3

Part name	Address	Page	Ref.	Part name	Address	Page	Ref.	Part name	Address	Page	Ref.
FUSE, MINI .....	G15	88	23	HEAD COMP., CYLINDER .....	D1	26	1	KEY, 7X7X33 .....	H3	92	7
[ G ]				HOLDER, BRUSH .....	G4	77	11	KEY, CLUTCH CENTER .....	H1	90	20
GASKET SET .....	E6	47	1		G6	79	19	KEY, SPECIAL WOODRUFF, 25X18..	D9	34	8
	E10	51	1		G7	80	14	[ L ]			
	E13	54	1	HOLDER, CABLE .....	G9	82	14	LABEL, AIR CLEANER CAUTION .....	H5	94	6
GASKET, CYLINDER HEAD .....	D1	26	5	HOLDER, CLUTCH SPRING .....	H1	90	9	LABEL, FUSE .....	G15	88	13
	D2	27	17	HOLDER, CLUTCH WEIGHT .....	H1	90	11	LENS ASSY., PROTECTOR .....	G14	87	14
GASKET, EX. PIPE .....	F6	63	7	HOLDER, GOVERNOR WEIGHT .....	D5	30	9	LEVER COMP., CHOKE .....	E8	49	18
	F8	65	5		D7	32	9	LEVER COMP., SOLENOID THROTTLE	G16	89	5
	F10	67	6	HOLDER, STOP SWITCH CORD .....	F16	73	10	LEVER, CHOKE .....	E10	51	19
	H7	96	2		G1	74	15	LEVER, CHOKE CONTROL .....	E13	54	14
GASKET, MUFFLER .....	F6	63	9	HOLDER, WIRE .....	G10	83	19	LEVER, COCK .....	E8	49	20
			10	HOUSING COMP., DRIVE SIDE .....	G6	79	7		E14	55	31
	F8	65	7	[ I ]				LEVER, CONTROL .....	G9	82	11
			8	INDICATOR ASSY. ....	G15	88	11	LEVER, MANUAL START .....	E14	55	28
	F10	67	8	INSULATOR .....	G4	77	13	LEVER, PINION DRIVE .....	G6	79	4
	F11	68	16		G4	77	13	LIFTER, VALVE .....	D13	38	5
GAUGE, OIL LEVEL .....	H1	90	17		G7	80	16	[ M ]			
GEAR, DRIVE PINION .....	G4	77	5	INSULATOR, BRUSH HOLDER .....	G6	79	20	MARK, AIR CLEANER SALES POINT ..	H5	94	7
	G7	80	8	INSULATOR, CARBURETOR .....	E8	49	14	MARK, CHOKE .....	H5	94	4
GEAR, MIDDLE .....	E13	54	12		E10	51	13		H7	96	5
GEAR, PRIMARY DRIVE .....	H4	93	3	[ J ]							6
GEAR, REDUCTION .....	G7	80	13	JET SET, PILOT, #38 .....	E9	50	30	MARK, CONTROL BOX .....	G11	84	12
GOVERNOR ASSY. ....	D5	30	7		E12	53	48		G14	87	15
	D7	32	7	JET SET, PILOT, #40 .....	E9	50	30	MARK, ENGINE SWITCH .....	G15	88	14
	D8	33	7	JET SET, PILOT, #45 .....	E12	53	48	MARK, EX. CAUTION .....	H5	94	11
GRID, AIR CLEANER .....	E15	56	2	JET, MAIN, #75 .....	E12	53	47		H7	96	16
GRIP, REINFORCEMENT .....	E1	42	14	JET, MAIN, #78 .....	E12	53	47				17
	E2	43	12		E14	55	38	MARK, FUEL .....	H5	94	12
GRIP, STARTER .....	E1	42	9	JET, MAIN, #80 .....	E9	50	29	MARK, HONDA .....	H5	94	10
			13		E12	53	47	MARK, OIL CAUTION .....	G15	88	24
	E2	43	10	JET, MAIN, #82 .....	E14	55	38	MARK, OPERATOR CAUTION .....	H5	94	1
GROMMET, AIR CLEANER .....	E16	57	5		E8	49	29				2
	F1	58	5	JET, MAIN, #85 .....	E12	53	47				14
	F2	59	6		E14	55	38		H6	95	14
	F3	60	7	JET, MAIN, #88 .....	E9	50	29		H7	96	3
	F4	61	4	JET, MAIN, #90 .....	E9	50	29				4
GROMMET, CHOKE ROD .....	E11	52	27	JET, MAIN, #92 .....	E9	50	29	MARK, SALES POINT .....	H5	94	13
GROMMET, CONTROL BOX .....	G15	88	17	JOINT, FUEL TANK .....	F13	70	2	MARK, THROTTLE INDICATION .....	H5	94	5
GROMMET, CORD .....	F16	73	6	JOINT, ROD .....	E10	51	20		H7	96	7
	G1	74	7	[ K ]				MOTOR ASSY., STARTER .....	G6	79	3
			8	KEY ASSY., COMBINATION SWITCH ..	G15	88	10		G7	80	1
GROMMET, DRAIN HOLE .....	E3	44	6	KEY COMP. ....	G11	84	11		G4	77	2
GROMMET, FENDER .....	E11	52	31		G13	86	12		F6	63	2
GUIDE, CHOKE ROD .....	E11	52	28	KEY, 6.3X6.3X43 .....	G15	88	9		F8	65	2
GUIDE, EX. VALVE .....	D1	26	3		D10	35	9		F10	67	1
GUIDE, IN. VALVE .....	D1	26	2	KEY, 7X7X33 .....	H4	93	9	[ N ]			
GUIDE, PRE AIR CLEANER .....	F2	59	12		H4	93	9	NOSE, SILENCER .....	E16	57	6
GUIDE, PUSH ROD .....	D13	38	15		D10	35	9		F1	58	6
[ H ]					H1	90	19				
HARNES ASSY., ENGINE WIRE ...	G1	74	11								
			12								
HARNES ASSY., SUB WIRE .....	G11	84	6								
HARNES, SUB WIRE .....	G11	84	7								
	G13	86	8								

# PART NAME INDEX

J 4

Part name	Address	Page	Ref.	Part name	Address	Page	Ref.	Part name	Address	Page	Ref.
NOSE, SILENCER .....	F4	61	5	O-RING, 14MM .....	F14	71	11	PLUG, INNER CONNECTOR .....	G1	74	13
NOZZLE, MAIN .....	E7	48	11	O-RING, 26X2.7 .....	H1	90	23	PLUG, OUTER CONNECTOR .....	G1	74	14
	E10	51	11	O-RING, 37.9X2.4 .....	D4	29	19	PLUG, SPARK .....	D2	27	16
	E13	54	21					PROTECTOR COMP., MUFFLER .....	F6	63	3
NUT-WASHER, 6MM .....	G5	78	18	[ P ]					F8	65	3
	G7	80	24						F10	67	2
NUT-WASHER, 8MM .....	G6	79	21	PACKING .....	G5	78	16	PROTECTOR, CIRCUIT .....	G13	86	13
NUT, AIR CLEANER COVER .....	F4	61	11		G7	80	22		G14	87	13
NUT, FLANGE, 10MM .....	D4	29	10	PACKING, AIR CLEANER .....	E11	52	24	PROTECTOR, EX. PIPE .....	F6	63	4
NUT, FLANGE, 5MM .....	F3	60	13		E12	53	50		F10	67	3
NUT, FLANGE, 6MM .....	E2	43	16	PACKING, AIR CLEANER CASE .....	F4	61	9	PULLEY COMP., STARTER .....	F15	72	2
	E11	52	39	PACKING, AIR CLEANER COVER .....	F2	59	4	PULLEY, RECOIL STARTER .....	D16	41	3
	E15	56	10	PACKING, CARBURETOR .....	E8	49	16		E2	43	4
	E16	57	13		E10	51	14	PULLEY, STARTER .....	F15	72	3
	F1	58	12		E14	55	27				
	F2	59	16	PACKING, CASE COVER .....	D5	30	2	[ R ]			
	F3	60	14		D7	32	2				
	F4	61	13	PACKING, CHAIN CASE COVER .....	D8	33	3	RATCHET, STARTER .....	D16	41	4
	F5	62	14		H3	92	2		E2	43	5
	G10	83	30	PACKING, ELBOW .....	H4	93	2	RECTIFIER ASSY., REGULATOR .....	G11	84	5
	H7	96	8		E16	57	1	RECTIFIER ASSY., SILICON .....	G13	86	6
NUT, FLANGE, 8MM .....	F7	64	28	PACKING, FUEL COCK .....	F1	58	1	RECTIFIER COMP. ....	G15	88	5
	F9	66	26		F2	59	1	RETAINER, EX. VALVE SPRING .....	D13	38	12
	F11	68	13	PACKING, FUEL FILLER CAP .....	E8	49	23	RETAINER, IN. VALVE SPRING .....	D13	38	11
	F14	71	13	PACKING, FUEL STRAINER CUP .....	E14	55	34				12
	H7	96	9		F13	70	8	RETAINER, SPRING .....	E1	42	8
NUT, HEX. ....	G6	79	18	PACKING, HEAD COVER .....	E8	49	13		E2	43	9
NUT, HEX., 4MM .....	G12	85	19	PACKING, INSULATOR .....	E13	54	22	RING SET, PISTON .....	D11	36	1
	G14	87	23		D1	26	8	RING, SNAP .....	G6	79	1
NUT, HEX., 5MM .....	F7	64	25	PACKING, OIL FILLER CAP .....	E10	51	15		G7	80	2
	F9	66	23		E14	55	25	ROD ASSY., CONNECTING .....	D11	36	4
	F12	69	29	PACKING, REDUCTION COVER .....	D5	30	6	ROD, CHOKE .....	E11	52	21
NUT, HEX., 8MM .....	G6	79	17		D7	32	6	ROD, CHOKE CONTROL .....	E11	52	26
NUT, PIVOT ADJUSTING .....	D14	39	17	PACKING, ROCKER ARM .....	D8	33	6	ROD, GOVERNOR .....	G8	81	3
NUT, PUSH .....	E2	43	15		H1	90	3	ROD, PUSH .....	D13	38	3
NUT, SELF-LOCK, 6MM .....	G10	83	24	PACKING, ROCKER ARM .....	H1	90	3	ROPE, RECOIL STARTER .....	E1	42	10
NUT, SPECIAL, 16MM .....	F15	72	8	PANEL COMP., CONTROL .....	G11	84	4		E2	43	11
NUT, TANK MOUNTING .....	F13	70	5		G13	86	5	ROTATOR, VALVE .....	D13	38	14
NUT, TOOL BOX SETTING .....	E15	56	9	PANEL, CONTROL .....	G15	88	6	RUBBER A, TANK MOUNTING .....	F13	70	4
	E16	57	11	PIN, GOVERNOR WEIGHT .....	D5	30	10	RUBBER COMP., TANK MOUNTING .....	F13	70	6
	F1	58	11		D7	32	10	RUBBER, FUEL .....	F5	62	13
	F2	59	15	PIN, LOCK, 10MM .....	D8	33	10	RUBBER, SUPPORTER .....	E8	49	19
	F4	61	12		D4	29	12		F13	70	1
NUT, U, 6MM .....	F7	64	24	PIN, PISTON .....	D11	36	3		H7	96	1
	F9	66	22	PIN, SPRING, 2X12 .....	E8	49	27	[ S ]			
	F12	69	28	PIN, SPRING, 2X6 .....	G16	89	10	SCREW-WASHER, 4X10 .....	G15	88	20
[ O ]				PIPE, EX. ....	F6	63	5	SCREW-WASHER, 4X20 .....	G3	76	3
OIL SEAL, 30X45X8 .....	D6	31	14		F8	65	4		G15	88	21
OIL SEAL, 30X46X8 .....	D4	29	8	PISTON .....	F10	67	4	SCREW-WASHER, 4X6 .....	G5	78	15
	D6	31	14		D11	36	2		G7	80	20
	D8	33	14	PIVOT, ROCKER ARM .....	D12	37	7	SCREW-WASHER, 4X8 .....	G15	88	19
	H1	90	21	PLATE .....	D13	38	6	SCREW-WASHER, 5X12 .....	E11	52	38
	H3	92	8	PLATE COMP., CLUTCH PRESSURE .....	E13	54	15		F7	64	26
	H4	93	10	PLATE, CLUTCH .....	H1	90	7	SCREW-WASHER, 5X32 .....	F9	66	24
OIL SEAL, 30X50X7 .....	H1	90	22	PLATE, LEVER SETTING .....	H1	90	6		G5	78	17
O-RING .....	E13	54	23		E8	49	21	SCREW-WASHER, 6X20 .....	G7	80	23
O-RING, 14MM .....	D4	29	9	PLATE, SET .....	E14	55	32		F7	64	27
					F6	63	15				
					F9	66	14				

# PART NAME INDEX

J 5

Part name	Address	Page	Ref.	Part name	Address	Page	Ref.	Part name	Address	Page	Ref.
SCREW-WASHER, 6X20 .....	F9	66	25	SCREW, THROTTLE STOP .....	E10	51	9	STAY ASSY., MANUAL CHOKE .....	E10	51	17
	F12	69	30	SEAL, AIR CLEANER .....	F3	60	10	STAY COMP., SOLENOID .....	E10	51	18
SCREW SET .....	E6	47	5	SEAL, AIR CLEANER CASE .....	F5	62	7	STAY, AIR CLEANER .....	F3	60	5
	E7	48	7	SEAL, AIR CLEANER COVER .....	F5	62	9		F5	62	4
	E10	51	7	SEAL, CHOKE LEVER .....	E11	52	33	STAY, MUFFLER COVER .....	F6	63	14
	E13	54	5	SEAL, ELECTRONIC CONTROL UNIT					F9	66	13
			7	COVER	G3	76	1		F11	68	21
			19	SEAL, VALVE STEM .....	D13	38	1	STAY, SOLENOID THROTTLE .....	G16	89	4
SCREW SET, DRAIN .....	E6	47	6	SEAT, VALVE SPRING .....	D13	38	13	STOPPER, CHOKE ROD .....	E11	52	22
	E7	48	6	SEPARATOR, AIR CLEANER .....	F3	60	3	STRAP, CABLE, 118MM .....	G11	84	16
	E10	51	6	SHAFT .....	G7	80	18		G14	87	19
	E13	54	6	SHAFT COMP., P.T.O. ....	H1	90	15	SUSPENSION, COUPLER .....	G13	86	7
SCREW SET, PILOT .....	E6	47	5	SHAFT, GOVERNOR ARM .....	D3	28	3	SWITCH ASSY., COMBINATION .....	G11	84	10
	E10	51	5	SHAFT, P.T.O. ....	H3	92	5		G13	86	11
SCREW, CENTER .....	E1	42	11		H4	93	5		G15	88	8
	E2	43	14	SHIM A .....	H4	93	6	SWITCH ASSY., ENGINE STOP .....	E3	44	4
SCREW, PAN, 3X12 .....	G14	87	21	SHIM B .....	H4	93	7				
SCREW, PAN, 3X6 .....	E8	49	26	SHROUD .....	E3	44	3				
	E14	55	37		E5	46	3	SWITCH ASSY., MAGNET .....	G6	79	5
SCREW, PAN, 4X12 .....	G11	84	18	SHROUD COMP., UPPER .....	G10	83	31	SWITCH ASSY., OIL LEVEL .....	D3	28	2
	G14	87	22	SLIDER, GOVERNOR .....	D6	31	11		D4	29	16
	G10	83	26		D7	32	11				
SCREW, PAN, 4X6 .....	E11	52	37		D8	33	11				
SCREW, PAN, 5X12 .....	G10	83	27	SOLENOID ASSY. ....	G16	89	6	[ T ]			
SCREW, PAN, 5X16 .....	G10	83	27	SPACER COMP., CARBURETOR .....	E8	49	15	TANK ASSY., FUEL .....	F13	70	3
SCREW, PAN, 5X16.5 .....	F2	59	14		E12	53	49	TANK COMP., FUEL .....	F13	70	3
SCREW, PAN, 5X28 .....	G10	83	28		E14	55	26	TUBE, 11X100 .....	D1	26	7
SCREW, PAN, 5X35 .....	G10	83	29	SPACER, CONTROL LEVER .....	G9	82	15	TUBE, 3.5X130 .....	E12	53	46
SCREW, PAN, 5X8 .....	G16	89	9	SPACER, MUFFLER COVER .....	F7	64	16	TUBE, 3.5X65 .....	E11	52	45
SCREW, RECESSED, 5X25 .....	G10	83	23		F9	66	15	TUBE, BREATHER .....	D1	26	7
SCREW, SPECIAL, 6X12 .....	G11	84	14		F11	68	22		D2	27	18
	G14	87	17	SPRING .....	G7	80	17		F3	60	1
SCREW, SPECIAL, 6X8 .....	G15	88	16	SPRING, AIR CLEANER CASE LID ..	F5	62	5		F5	62	1
SCREW, STOP .....	E13	54	20	SPRING, BRUSH .....	G6	79	11	TUBE, FASTENER, 30MM .....	G11	84	17
SCREW, TAPPING, 3X6 .....	E4	45	9	SPRING, BRUSH RETURN .....	G4	77	10		G14	87	20
SCREW, TAPPING, 3X8 .....	E4	45	9		G7	80	12	TUBE, FUEL, 4.5X210 .....	F14	71	12
SCREW, TAPPING, 4X14 .....	G15	88	22	SPRING, CABLE RETURN .....	G9	82	18	TUBE, FUEL, 4.5X222 .....	E8	49	25
SCREW, TAPPING, 4X6 .....	F7	64	20	SPRING, CHOKE RETURN .....	G16	89	2		F14	71	12
			23	SPRING, CLUTCH FREE .....	H1	90	8	[ U ]			
	F9	66	18	SPRING, COCK LEVER .....	E8	49	22	U-RING .....	E14	55	30
			21		E14	55	33	[ V ]			
	F11	68	12	SPRING, CONTROL ADJUSTING .....	G9	82	17	VALVE ASSY., SOLENOID .....	E10	51	16
	F12	69	27	SPRING, FRICTION .....	D16	41	5	VALVE SET, FLOAT .....	E6	47	2
SCREW, TAPPING, 5X20 .....	E5	46	11		E2	43	6		E10	51	2
SCREW, TAPPING, 5X25 .....	F7	64	22	SPRING, GOVERNOR .....	G8	81	4		E13	54	2
			20	SPRING, LEVER .....	G9	82	12	VALVE, DASHPOT CHECK .....	E11	52	29
	F9	66	20	SPRING, MANUAL CHOKE .....	E11	52	23	VALVE, EX. ....	D13	38	9
	F12	69	26	SPRING, RATCHET .....	E1	42	7	VALVE, IN. ....	D13	38	8
SCREW, TAPPING, 5X8 .....	F7	64	18		E2	43	8	[ W ]			
			19	SPRING, STARTER RETURN .....	E1	42	6	WASHER COMP., HEAD COVER .....	D2	27	13
			20		E2	43	7	WASHER, 8MM .....	H3	92	6
			21	SPRING, THROTTLE RETURN .....	G8	81	5		H4	93	8
	F9	66	17	SPRING, TORSION COIL .....	E13	54	16	WASHER, 8.2X17X0.8 .....	D4	29	7
			18	SPRING, VALVE .....	D13	38	10				
	F10	67	11	SPRING, WEIGHT RETURN .....	D13	38	7				
	F11	68	25	SPROCKET COMP., DRIVE .....	H1	90	13				
SCREW, TAPPING, 6X10 .....	F9	66	16	SPROCKET, DRIVE .....	H3	92	4				
	F10	67	9	STARTER ASSY., RECOIL .....	D16	41	1				
SCREW, TAPPING, 6X25 .....	F11	68	24		E2	43	1				
SCREW, THROTTLE STOP .....	E7	48	10								

# PART NAME INDEX

**J 6**

Part name	Address	Page	Ref.	Part name	Address	Page	Ref.	Part name	Address	Page	Ref.
WASHER, CHOKE LEVER .....	E11	52	32								
WASHER, CONTROL LEVER .....	G9	82	13								
WASHER, DRAIN PLUG, 12MM .....	D4	29	11								
	H2	91	26								
WASHER, PLAIN, 4MM .....	G12	85	20								
	G14	87	24								
WASHER, PLAIN, 5MM .....	E11	52	40								
	F7	64	29								
	F9	66	27								
	F12	69	31								
WASHER, PLAIN, 6MM .....	D6	31	15								
	D7	32	14								
	D8	33	15								
WASHER, SK .....	G7	80	21								
WASHER, SPRING, 4MM .....	G12	85	21								
	G14	87	25								
WASHER, SPRING, 5MM .....	F7	64	30								
	F9	66	28								
WASHER, SPRING, 8MM .....	H2	91	27								
WASHER, THRUST, 16.1MM .....	D14	39	18								
WASHER, THRUST, 25MM .....	H1	90	18								
WASHER, THRUST, 2.7X8 .....	E11	52	34								
WEIGHT, BALANCER .....	D9	34	7								
WEIGHT, CLUTCH .....	H1	90	10								
WEIGHT, GOVERNOR .....	D5	30	8								
	D7	32	8								
	D8	33	8								
WIRE, WATER COVER .....	G4	77	12								
	G7	80	15								
WRENCH COMP., SPARK PLUG .....	H5	94	8								
WRENCH, SPARK PLUG .....	H5	94	8								
[ Y ]											
YOKE COMP. ....	G4	77	8								
	G6	79	15								
	G7	80	10								



---

**1**

**FOREWORD INDEX**

---

**2**

**ENGINE GROUP**

---

**3**

**PART NUMBER INDEX**

---

**4**

**PART NAME INDEX**

---

**HONDA**  
The Power of Dreams





# PARTS CATALOGUE NEWS

Honda Motor Co., Ltd.  
 Customer Service Technology Development Division  
 PARTS CATALOGUE - CORRECTED

Printed in Japan

CODE NO.	13Z8S903
PARTS CATALOGUE NEWS	GX240UT1 GX240RT1
NEWS NO.	001

Block No.	Ref. No.	Note	Part No.	Description	Reqd. QTY				Serial No.	Parts catalogue code
					GX 240 UT1	GX 240 RT1	GX 240 UT2	GX 240 RT2		
E-11	1	L	28400-ZE2-W01ZG	STARTER ASSY., RECOIL *NH105*... MAT BLACK (#15-#20)	1	1	-	-	----- 1007741	VMT2, VXB7, VXB9
		T	28400-ZE2-W02ZG	*NH105*... MAT BLACK (#15-#20)	1	1	-	-	1007742 -----	VMT2, VXB7, VXB9
	9	L	28461-ZE2-W02	GRIP, STARTER.....	1	1	-	-	----- 1007741	
		T	28461-ZE2-W03	.....	1	1	-	-	1007742 -----	
E-16-1	3	L	18320-ZE2-W61	PROTECTOR COMP., MUFFLER.....	1	-	-	-	----- 1005937	LX2, LXQ4, QXB7, QXC9, QXE4, QXQ4, QXU, SXE4, SXQ4, SXU VXB7, VXQ4
		T	18320-ZE2-W62	.....	1	-	-	-	1005938 -----	LX2, LXQ4, QXB7, QXC9, QXE4, QXQ4, QXU, SXE4, SXQ4, SXU VXB7, VXQ4
	6	T	18355-ZE2-W00	ARRESTER, SPARK.....	(1)	(1)	-	(1)	----- -----	LX2, LXQ4, QXC9, QXE4, QXQ4, QXU, SXE4, SXQ4, SXU VMT2, VXQ4
					1	-	-	-	----- -----	QXB7, QXB9, VXB7, VXB9
E-16-2	7	T	18350-Z5T-800	ARRESTER COMP., SPARK.....	-	1	1	-	----- -----	QA2, QAE2, QAG2, QAR2, QHB2, QHB4, QXB7, QXB9, QZA2, QZAV VMT2, VXB7, VXB9, WKT2
					-	-	(1)	(1)	----- -----	HA2, LX2, LXQ4, PA2, QHQ4, QXC9, QXE4, QXU, QZX4, RA2, SXE4 SXQ4, VMT2
		T	18355-ZE2-010	ARRESTER, SPARK.....	-	-	1	1	----- -----	QA2, QAE2, QZA2, VMT2

NOTE A:PART NO. CHANGE D:NEWLY PROVIDED E:PART NO. DELETION K:REQUIRED NO. CORRECTION L:APPLICATION SERIAL NO. CORRECTION  
 T:APPLICATION CORRECTION Z:REMARKS CHANGE

April 14, 2011



# PARTS CATALOGUE NEWS

Honda Motor Co., Ltd.  
Customer Service Technology Development Division

Printed in Japan

CODE NO.	13Z8S903
PARTS CATALOGUE NEWS	GX240UT1 GX240RT1 GX240UT2 GX240RT2
NEWS NO.	002

## GX240UT2-QXC9 type sales information

NOTE: This Parts Catalogue News explains only the parts of the different model that are produced to conform to addition of the GX240UT2-QXC9 type.

As for the parts not listed on this Parts Catalogue News, use the parts of the GX240UT1-QXC9 type.

### • Models, parts catalogue codes and applicable serial numbers

Model	Type		Parts catalogue type	Applicable engine serial No.	Applicable carburetor identification No.
GX240UT1	QXC9	Base type	QXC9	GCATT-1000001~	BE70A B/BE70P A
GX240UT2	QXC9	Additional type	QXC9	GCBJT-1000001~	BE70S A

- Features of each type		Base type	Additional type
Specifications	Model	GX240UT1	GX240UT2
	Type	QXC9	QXC9
Crankshaft	25mm Ø Straight		
	25.4mm Ø Straight	●	●
	20mm Ø Spline		
	M20 Stepped thread		
	1" Thread		
	3/16" Tapered		
Oil alert		●	
Engine stop switch		●	●
Muffler		●	●
Muffler cover			
Fuel tank		●	●
Starter motor			
Control box			
Reduction			

## PARTS CATALOGUE NEWS

BOOKNo. : 13Z8S903

Block No.	Ref. No.	Part No.	Description	Reqd. QTY				Base Part No.	Parts catalogue code
				GX 240 UT1	GX 240 RT1	GX 240 UT2	GX 240 RT2		
E-2	1	12210-Z5K-405	HEAD COMP., CYLINDER.....	-	-	1	-	12200-Z1D-405	QXC9
	5		GASKET, CYLINDER HEAD.....	-	-	0	-	12251-Z8S-801	QXC9
	6	12310-Z5T-800	COVER COMP., CYLINDER HEAD....	-	-	1	-	12310-ZE3-791	QXC9
	10	90014-Z5T-000	BOLT, HEAD COVER.....	-	-	1	-	90014-ZE2-000	QXC9
	16	98079-55876	PLUG, SPARK (BPR5ES) (NGK).....	-	-	(1)	-	98079-55846	QXC9
	17	12251-Z5K-003	GASKET, CYLINDER HEAD.....	-	-	1	-		QXC9
E-3	1	12000-Z5K-406	BARREL ASSY., CYLINDER.....	-	-	1	-	12000-Z8S-406	QXC9
	4		ALERT UNIT, OIL.....	-	-	0	-	34150-ZH7-013	QXC9
	5		BOLT, FLANGE, 6X12 (CT200).....	-	-	0	-	90013-883-000	QXC9
E-6	2	11381-Z5K-000	PACKING, CASE COVER.....	-	-	1	-	11381-ZE2-801	QXC9
E-7	2	13310-ZH9-601	CRANKSHAFT COMP.....	-	-	1	-	13310-ZE2-602	QXC9
	10	91001-ZH9-003	BEARING, RADIAL BALL (6206 SH) .	-	-	1	-	96100-62060-00	QXC9
E-8	1	13010-Z5K-004	RING SET, PISTON (STD.) (TEIKOKU)	-	-	1	-	13010-Z5F-004	QXC9
		13011-Z5K-004	RING SET, PISTON (0.25) (TEIKOKU)	-	-	(1)	-	13011-Z5F-004	QXC9
		13012-Z5K-004	RING SET, PISTON (0.50) (TEIKOKU)	-	-	(1)	-	13012-Z5F-004	QXC9
		13013-Z5K-004	RING SET, PISTON (0.75) (TEIKOKU)	-	-	(1)	-	13013-Z5F-004	QXC9
	2		PISTON (STD.).....	-	-	0	-	13101-ZE2-W01	QXC9
			PISTON (0.25).....	-	-	(0)	-	13102-ZE2-W01	QXC9
			PISTON (0.50).....	-	-	(0)	-	13103-ZE2-W01	QXC9
			PISTON (0.75).....	-	-	(0)	-	13104-ZE2-W01	QXC9
	3	13111-Z5K-000	PIN, PISTON.....	-	-	1	-	13111-ZE2-000	QXC9
	4	13200-Z1D-305	ROD ASSY., CONNECTING (0.25 UNDER SIZE)	-	-	(1)	-	13200-ZE2-305	QXC9

## PARTS CATALOGUE NEWS

BOOKNo. : 13Z8S903

Block No.	Ref. No.	Part No.	Description	Reqd. QTY				Base Part No.	Parts catalogue code
				GX 240 UT1	GX 240 RT1	GX 240 UT2	GX 240 RT2		
	7	13101-Z5K-000	PISTON (STD.).....	-	-	1	-	QXC9	
		13102-Z5K-000	PISTON (0. 25).....	-	-	(1)	-	QXC9	
		13103-Z5K-000	PISTON (0. 50).....	-	-	(1)	-	QXC9	
		13104-Z5K-000	PISTON (0. 75).....	-	-	(1)	-	QXC9	
E-9	2	14100-Z5K-810	CAMSHAFT ASSY.....	-	-	1	-	14100-ZE2-W01 QXC9	
	8	14711-Z5K-000	VALVE, IN.....	-	-	1	-	14711-ZE2-000 QXC9	
	9	14721-Z5K-000	VALVE, EX.....	-	-	1	-	14721-ZE2-000 QXC9	
	12	14771-Z8S-000	RETAINER, IN. VALVE SPRING... (EXHAUST SIDE)	-	-	1	-	14773-Z8S-000 QXC9	
	14		ROTATOR, VALVE.....	-	-	0	-	14781-ZE2-000 QXC9	
	15	14791-Z1D-000	GUIDE, PUSH ROD.....	-	-	1	-	14791-ZE2-010 QXC9	
E-11	1	28400-Z5K-003ZA	STARTER ASSY., RECOIL *R280*..... POWER RED	-	-	1	-	28400-ZE2-W01ZN QXC9	
		28400-Z5K-003ZB	STARTER ASSY., RECOIL *NH1*..... BLACK	-	-	1	-	28400-ZE2-W01ZB QXC9	
	9		GRIP, STARTER.....	-	-	0	-	28461-ZE2-W03 QXC9	
	13	28461-Z5T-003	GRIP, STARTER.....	-	-	1	-	QXC9	
	14	28463-Z5T-003	GRIP, REINFORCEMENT.....	-	-	1	-	QXC9	
E-12	2	19610-Z5K-000ZA	COVER COMP., FAN *NH1*..... BLACK	-	-	1	-	19610-ZE2-010ZC QXC9	
		19610-Z5K-000ZC	COVER COMP., FAN *R280*..... POWER RED	-	-	1	-	19610-ZE2-010ZL QXC9	
			COVER COMP., FAN *NH246*..... LOOSEY GRAY	-	-	0	-	19610-ZE2-010ZF QXC9	
	3	19631-Z5K-000	SHROUD.....	-	-	1	-	19631-ZE2-D00 QXC9	
	5		SWITCH ASSY., ENGINE STOP.....	-	-	0	-	36100-ZF6-P82 QXC9	
	8	35120-Z5T-003	SWITCH ASSY., ENGINE STOP.....	-	-	1	-	QXC9	

## PARTS CATALOGUE NEWS

BOOKNo. : 13Z8S903

Block No.	Ref. No.	Part No.	Description	Reqd. QTY				Base Part No.	Parts catalogue code
				GX 240 UT1	GX 240 RT1	GX 240 UT2	GX 240 RT2		
	9	90004-Z5T-000	SCREW, TAPPING, 3X6 (P0).....	-	-	2	-	QXC9	
E-14	4	16015-Z5T-901	CHAMBER SET, FLOAT.....	-	-	1	-	16015-ZE8-005 QXC9	
	5	16016-ZH7-W01	SCREW SET, PILOT.....	-	-	1	-	16016-ZH8-W01 QXC9	
	6	16024-Z5T-901	SCREW SET, DRAIN.....	-	-	1	-	16024-ZE1-811 QXC9	
	7	16028-Z5T-901	SCREW SET.....	-	-	1	-	16028-ZE0-005 QXC9	
	9	16100-Z8S-902	CARBURETOR ASSY. (BE70S A).....	-	-	1	-	16100-Z8S-801 QXC9	
			CARBURETOR ASSY. (BE70S A).....	-	-	0	-	16100-ZE2-W51 QXC9	
	11	16166-Z8S-901	NOZZLE, MAIN.....	-	-	1	-	16166-ZH9-W00 QXC9	
	14	16211-ZE2-010	INSULATOR, CARBURETOR.....	-	-	1	-	16211-ZE2-000 QXC9	
	16	16221-Z5K-000	PACKING, CARBURETOR.....	-	-	1	-	16221-ZA0-800 QXC9	
	17	16212-Z5K-000	PACKING, INSULATOR.....	-	-	1	-	16223-ZA0-800 QXC9	
	29	99101-ZH8-0920	JET, MAIN, #92.....	-	-	(1)	-	99101-ZH8-0880 QXC9	
		99101-ZH8-0950	JET, MAIN, #95.....	-	-	(1)	-	99101-ZH8-0900 QXC9	
		99101-ZH8-0980	JET, MAIN, #98.....	-	-	1	-	99101-ZH8-0920 QXC9	
	30	99204-ZE2-0380	JET SET, PILOT, #38.....	-	-	1	-	99204-ZA0-0400 QXC9	
	31	16959-Z5T-901	FILTER, CUP.....	-	-	1	-	QXC9	
E-15-3	13	90009-Z1C-000	BOLT-WASHER, 6X22.....	-	-	1	-	90009-ZE2-003 QXC9	
E-16-1	2		MUFFLER COMP. (100DB).....	-	-	0	-	18310-ZE2-W61 QXC9	
	3		PROTECTOR COMP., MUFFLER.....	-	-	0	-	18320-ZE2-W62 QXC9	
	4		PIPE, EX.....	-	-	0	-	18330-ZH9-N00 QXC9	
	5		GASKET, EX. PIPE.....	-	-	0	-	18333-ZF6-W01 QXC9	
	6		ARRESTER, SPARK.....	-	-	(0)	-	18355-ZE2-W00 QXC9	
	7		GASKET, MUFFLER (ARRESTER) (THAI LEAKLESS)	-	-	(0)	-	18381-Z8S-801 QXC9	

## PARTS CATALOGUE NEWS

BOOKNo. : 13Z8S903

Block No.	Ref. No.	Part No.	Description	Reqd. QTY				Base Part No.	Parts catalogue code
				GX 240 UT1	GX 240 RT1	GX 240 UT2	GX 240 RT2		
			GASKET, MUFFLER (ARRESTER) (NIPPON LEAKLESS)	-	-	(0)	-	18381-ZE2-W10	QXC9
	8		GASKET, MUFFLER (THAI LEAKLESS)	-	-	0	-	18381-Z1C-801	QXC9
			GASKET, MUFFLER (NIPPON LEAKLESS)	-	-	0	-	18381-ZE2-800	QXC9
	16		SCREW, TAPPING, 6X10.....	-	-	0	-	90006-ZE2-000	QXC9
	17		SCREW, TAPPING, 5X8.....	-	-	0	-	90050-ZE1-000	QXC9
	18		SCREW, TAPPING, 4X6.....	-	-	(0)	-	90055-ZE1-000	QXC9
	26		NUT, FLANGE, 8MM.....	-	-	0	-	94050-08000	QXC9
E-16-2	1	18310-Z5K-000	MUFFLER COMP.....	-	-	1	-		QXC9
	2	18320-Z5K-000	PROTECTOR COMP., MUFFLER.....	-	-	1	-		QXC9
	4	18331-Z5T-000	PIPE, EX.....	-	-	1	-		QXC9
	6	18333-Z1C-801	GASKET, EX. PIPE.....	-	-	1	-		QXC9
	7	18350-Z5T-800	ARRESTER COMP., SPARK.....	-	-	(1)	-		QXC9
	8	18381-ZE2-W10	GASKET, MUFFLER (ARRESTER) (NIPPON LEAKLESS)	-	-	(1)	-		QXC9
	9	90006-ZE2-000	SCREW, TAPPING, 6X10.....	-	-	1	-		QXC9
	11	90050-ZE1-000	SCREW, TAPPING, 5X8.....	-	-	6	-		QXC9
	13	94050-08000	NUT, FLANGE, 8MM.....	-	-	5	-		QXC9
	15	18336-ZE3-000	FLANGE COMP., BAFFLE.....	-	-	1	-		QXC9
	16	18381-Z1C-801	GASKET, MUFFLER (THAI LEAKLESS)	-	-	1	-		QXC9
		18381-ZE2-801	GASKET, MUFFLER (NIPPON LEAKLESS)	-	-	1	-		QXC9
E-17	2	16955-ZE1-010	JOINT, FUEL TANK.....	-	-	1	-	16955-ZE1-000	QXC9
	3	17510-Z5K-000ZA	TANK COMP., FUEL *NH1*..... BLACK	-	-	1	-	17510-ZE2-801ZA	QXC9

## PARTS CATALOGUE NEWS

BOOKNo. : 13Z8S903

Block No.	Ref. No.	Part No.	Description	Reqd. QTY				Base Part No.	Parts catalogue code
				GX 240 UT1	GX 240 RT1	GX 240 UT2	GX 240 RT2		
		17510-Z5K-000ZB	TANK COMP., FUEL *NH31*. . . . . MCKINLEY WHITE	-	-	1	-	17510-ZE2-801ZC	QXC9
	12	91424-Z5K-003	TUBE, FUEL, 4.5X210 (FKM) . . . . .	-	-	1	-	91424-Z5F-802	QXC9
E-19	5	31110-Z5K-000	FLYWHEEL COMP. . . . .	-	-	1	-	31100-ZE2-010	QXC9
	8	90201-ZE3-V00	NUT, SPECIAL, 16MM. . . . .	-	-	1	-	90201-ZE3-790	QXC9
E-20	1		COIL ASSY., IGNITION. . . . .	-	-	0	-	30500-Z1C-023	QXC9
	2		CAP ASSY., NOISE SUPPRESSOR (NGK Y-EZD)	-	-	0	-	30700-Z1C-811	QXC9
	6		GROMMET, CORD. . . . .	-	-	0	-	31512-ZE2-000	QXC9
	9		CORD, STOP SWITCH (370MM) . . . . .	-	-	0	-	36101-ZE1-010	QXC9
	12		BOLT, FLANGE, 6X28 (CT200) . . . . .	-	-	0	-	90015-883-000	QXC9
	14		CLIP, HARNESS. . . . .	-	-	0	-	90684-ZA0-601	QXC9
E-20-1	1	30500-Z8S-003	COIL ASSY., IGNITION. . . . .	-	-	1	-		QXC9
	4	30700-Z1C-811	CAP ASSY., NOISE SUPPRESSOR (NGK Y-EZD)	-	-	1	-		QXC9
	8	31512-ZE2-000	GROMMET, CORD. . . . .	-	-	1	-		QXC9
	11	32110-Z5K-000	HARNESS ASSY., ENGINE WIRE. . . . .	-	-	1	-		QXC9
	17	90015-883-000	BOLT, FLANGE, 6X28 (CT200) . . . . .	-	-	2	-		QXC9
	25	90684-ZA0-601	CLIP, HARNESS. . . . .	-	-	1	-		QXC9
E-22	8	16500-Z5K-810	CONTROL ASSY. (REMOTE) . . . . .	-	-	1	-	16570-ZE2-W20	QXC9
	16	16580-Z5K-000	BASE COMP., CONTROL. . . . .	-	-	1	-	16581-ZE2-W00	QXC9
	22	90015-Z5T-000	BOLT, GOVERNOR ARM. . . . .	-	-	1	-	90015-ZE5-010	QXC9
E-28	1		MARK, OPERATOR CAUTION (ENGLISH) (MADE IN THAI)	-	-	0	-	87516-Z4H-000	QXC9
	3	87521-Z8S-000	EMBLEM (GX240) . . . . .	-	-	1	-	87521-ZE2-W04	QXC9
	4	87528-Z5T-000	MARK, CHOKE. . . . .	-	-	1	-	87528-ZH7-000	QXC9



## PARTS CATALOGUE NEWS

BOOKNo. : 13Z8S903

Block No.	Ref. No.	Part No.	Description	Reqd. QTY				Base Part No.	Parts catalogue code
				GX 240 UT1	GX 240 RT1	GX 240 UT2	GX 240 RT2		
	11	87539-Z0J-000	MARK, EX. CAUTION (ENGLISH) . . . .	-	-	1	-	QXC9	
	14	87516-Z4H-010	MARK, OPERATOR CAUTION (ENGLISH) (MADE IN THAI)	-	-	1	-	QXC9	
E-40	4		MARK, OPERATOR CAUTION (FRENCH) (MADE IN THAI)	-	-	0	-	87516-Z4H-800 QXC9	
	14	87516-Z4H-801	MARK, OPERATOR CAUTION (FRENCH) (MADE IN THAI)	-	-	1	-	QXC9	
	15	87519-Z4H-000	MARK, OPERATOR CAUTION (PICTOGRAPH)	-	-	1	-	QXC9	
	16	87539-Z0J-800	MARK, EX. CAUTION (PICTOGRAPH) .	-	-	1	-	QXC9	
	17	87539-Z0J-810	MARK, EX. CAUTION (FRENCH) . . . . .	-	-	1	-	QXC9	



# PARTS CATALOGUE NEWS

Honda Motor Co., Ltd.  
Customer Service Technology Development Division

## PARTS CATALOGUE - CORRECTED

Printed in Japan

CODE NO.	13Z8S903
PARTS CATALOGUE NEWS	GX240UT1 GX240RT1 GX240UT2 GX240RT2
NEWS NO.	003

Block No.	Ref. No.	Note	Part No.	Description	Reqd. QTY				Serial No.	Parts catalogue code
					GX 240 UT1	GX 240 RT1	GX 240 UT2	GX 240 RT2		
E-2	6	T	12310-ZE2-020	COVER COMP. , HEAD.....	1	1	-	1	-----	HA2, LHE4, LX2, LXQ4, PA2, QA2, QAE2, QAG2, QAR2, QHB2, QHB4, QHQ4, QXB7, QXB9, QXE4, QXQ4, QXU, RA2, RHQ4, SXE4, SXQ4, SXU, VMT2, VTA2, VXB7, VXB9, VXQ4, WKT2
		T	12310-Z5T-000	COVER, CYLINDER HEAD .....	-	-	1	-	-----	HA2, LX2, LXQ4, PA2, QA2, QAE2, QAG2, QAR2, QHB2, QHB4, QHQ4, QXB7, QXB9, QXE4, QXQ4, QXU, QZA2, QZAV, QZX4, RA2, SXE4, SXQ4, VXB7, VXB9, WKT2

NOTE A:PART NO. CHANGE D:NEWLY PROVIDED E:PART NO.DELETION K:REQUIRED NO. CORRECTION L:APPLICATION SERIAL NO. CORRECTION  
T:APPLICATION CORRECTION Z:REMARKS CHANGE



# PARTS CATALOGUE NEWS

Honda Motor Co., Ltd.

Customer Service Technology Development Division

## PARTS CATALOGUE - CORRECTED

Printed in Japan

CODE NO.	13Z8S903
PARTS CATALOGUE NEWS	GX240UT1 GX240RT1 GX240UT2 GX240RT2
NEWS NO.	004

Block No.	Ref. No.	Note	Part No.	Description	Reqd. QTY				Serial No.	Parts catalogue code
					GX 240 UT1	GX 240 RT1	GX 240 UT2	GX 240 RT2		
E-12	9	T	90004-Z5T-000	SCREW, TAPPING, 3X6 (PO).....	-	-	2	2	-----	HA2, LX2, LXQ4, PA2, QA2, QAG2, QHB2, QHQ4, QXB7, QXB9, QXC9, QXQ4, QXU, RA2, SXQ4, VMT2, VXB7, VXB9, WKT2
		E	90101-SP1-003	*PARTS NO. DELETION						
E-20-1	25	T	90684-ZA0-601	CLIP, HARNESS.....	-	-	1	1	-----	HA2, LX2, LXQ4, PA2, QA2, QAG2, QHB2, QHB4, QHQ4, QXB7, QXB9, QXC9, QXQ4, QXU, RA2, SXQ4, VMT2, VXB7, VXB9, WKT2
E-21-2	1	T	31200-ZH9-013	MOTOR ASSY., STARTER.....	-	-	1	-	-----	QAE2, QAR2, QXE4, SXE4
	2	T	31201-ZA1-003	RING, SNAP.....	-	-	1	-	-----	QAE2, QAR2, QXE4, SXE4
	3	T	31202-ZA1-003	COLLAR, CLUTCH STOP.....	-	-	1	-	-----	QAE2, QAR2, QXE4, SXE4
	4	T	31204-ZA0-003	CONTACTOR ASSY. ....	-	-	1	-	-----	QAE2, QAR2, QXE4, SXE4
	5	T	31207-ZH9-003	CLUTCH COMP., OVERRUNNING....	-	-	1	-	-----	QAE2, QAR2, QXE4, SXE4
	6	T	31211-ZE2-003	BRACKET, CENTER.....	-	-	1	-	-----	QAE2, QAR2, QXE4, SXE4
	7	T	31212-ZE2-003	BRACKET, FR. ....	-	-	1	-	-----	QAE2, QAR2, QXE4, SXE4
	8	T	31213-ZE2-003	GEAR, DRIVE PINION.....	-	-	1	-	-----	QAE2, QAR2, QXE4, SXE4
	9	T	31215-ZE2-003	BRUSH.....	-	-	2	-	-----	QAE2, QAR2, QXE4, SXE4
	10	T	31216-ZE2-003	YOKE COMP. ....	-	-	1	-	-----	QAE2, QAR2, QXE4, SXE4
	11	T	31217-ZE2-003	ARMATURE COMP. ....	-	-	1	-	-----	QAE2, QAR2, QXE4, SXE4

NOTE A:PART NO. CHANGE D:NEWLY PROVIDED E:PART NO. DELETION K:REQUIRED NO. CORRECTION L:APPLICATION SERIAL NO. CORRECTION  
T:APPLICATION CORRECTION Z:REMARKS CHANGE

PARTS CATALOGUE NEWS

BOOKNo. : 13Z8S903

Block No.	Ref. No.	Note	Part No.	Description	Reqd. QTY				Serial No.	Parts catalogue code
					GX 240 UT1	GX 240 RT1	GX 240 UT2	GX 240 RT2		
	12	T	31219-ZE2-003	SPRING, BRUSH RETURN.....	-	-	4	-	-----	QAE2, QAR2, QXE4, SXE4
	13	T	31222-ZE3-791	GEAR, REDUCTION.....	-	-	1	-	-----	QAE2, QAR2, QXE4, SXE4
	14	T	31231-ZE2-003	HOLDER, BRUSH.....	-	-	1	-	-----	QAE2, QAR2, QXE4, SXE4
	15	T	31232-ZE3-003	WIRE, WATER COVER.....	-	-	1	-	-----	QAE2, QAR2, QXE4, SXE4
	16	T	31233-ZE2-003	INSULATOR.....	-	-	1	-	-----	QAE2, QAR2, QXE4, SXE4
	17	T	31244-ZH9-003	SPRING.....	-	-	1	-	-----	QAE2, QAR2, QXE4, SXE4
	18	T	31245-ZH9-003	SHAFT.....	-	-	1	-	-----	QAE2, QAR2, QXE4, SXE4
	19	T	90007-ZE2-003	BOLT-WASHER, 5X14.....	-	-	2	-	-----	QAE2, QAR2, QXE4, SXE4
	20	T	90110-ZE2-003	SCREW-WASHER, 4X6.....	-	-	1	-	-----	QAE2, QAR2, QXE4, SXE4
	21	T	90403-ZH9-003	WASHER, SK.....	-	-	1	-	-----	QAE2, QAR2, QXE4, SXE4
	22	T	91601-ZE2-003	PACKING.....	-	-	1	-	-----	QAE2, QAR2, QXE4, SXE4
	23	T	93892-05032-18	SCREW-WASHER, 5X32.....	-	-	4	-	-----	QAE2, QAR2, QXE4, SXE4
	24	T	94070-06080	NUT-WASHER, 6MM.....	-	-	2	-	-----	QAE2, QAR2, QXE4, SXE4
	25	T	95701-08040-00	BOLT, FLANGE, 8X40.....	-	-	2	-	-----	QAE2, QAR2, QXE4, SXE4
E-23-1	1	T	31610-Z5J-801ZA	BOX ASSY., CONTROL (EXP-ALERT) (3A) *NH1*..... BLACK	1	-	-	-	-----	QAE2
		T	31610-Z5J-801ZC	*R280*..... POWER RED	1	-	-	-	-----	QAE2
	11	T	35100-ZE2-843	SWITCH ASSY., COMBINATION (3A-CHARGE).....	1	-	-	-	-----	QAE2
		D	35100-Z5T-821	.....	-	-	1	-	-----	QAE2
	22	T	93500-04012-0H	SCREW, PAN, 4X12.....	1	-	-	-	-----	LHE4, QAE2, QXE4, SXE4
	23	T	94001-04390-0S	NUT, HEX., 4MM.....	2	-	-	-	-----	QAE2, QXE4, SXE4
	24	T	94101-04800	WASHER, PLAIN, 4MM.....	1	-	-	-	-----	QAE2, QXE4, SXE4
	25	T	94111-04800	WASHER, SPRING, 4MM.....	1	-	-	-	-----	LHE4, QAE2, QXE4, SXE4

NOTE A:PART NO. CHANGE D:NEWLY PROVIDED E:PART NO.DELETION K:REQUIRED NO. CORRECTION L:APPLICATION SERIAL NO. CORRECTION  
T:APPLICATION CORRECTION Z:REMARKS CHANGE

PARTS CATALOGUE NEWS

BOOKNo. : 13Z8S903

Block No.	Ref. No.	Note	Part No.	Description	Reqd. QTY				Serial No.	Parts catalogue code
					GX 240 UT1	GX 240 RT1	GX 240 UT2	GX 240 RT2		
	26	T	98200-31500	FUSE, BLADE (15A) . . . . .	1	-	-	-	-----	QAE2
	27	D	31610-Z5K-821ZA	BOX ASSY., CONTROL (EXP-ALERT) (3A) *NH1*. . . . . BLACK	-	-	1	-	-----	QAE2
		D	31610-Z5K-821ZB	*R280*. . . . . POWER RED	-	-	1	-	-----	QAE2

NOTE A:PART NO. CHANGE D:NEWLY PROVIDED E:PART NO.DELETION K:REQUIRED NO. CORRECTION L:APPLICATION SERIAL NO. CORRECTION  
T:APPLICATION CORRECTION Z:REMARKS CHANGE



# PARTS CATALOGUE NEWS

Honda Motor Co., Ltd.  
Customer Service Technology Development Division

## PARTS CATALOGUE - CORRECTED

Printed in Japan

CODE NO.	13Z8S903
PARTS CATALOGUE NEWS	GX240UT1 GX240RT1 GX240UT2 GX240RT2
NEWS NO.	005

Block No.	Ref. No.	Note	Part No.	Description	Reqd. QTY				Serial No.	Parts catalogue code	
					GX 240 UT1	GX 240 RT1	GX 240 UT2	GX 240 RT2			
E-16-2	5	T	18331-ZE3-811	CAP, MUFFLER.....	-	-	1	-	-----	HA2, PA2, QA2, QAE2, QAG2, QAR2, QZA2, QZAV, RA2	
		E	18331-ZE2-810	*PARTS NO. DELETION							
E-28	11	T	87539-Z0J-000	MARK, EX. CAUTION (ENGLISH)....	-	-	1	-	-----	HA2, LX2, PA2, QA2, QAE2, QAG2, QAR2, QXC9, QXU, QZA2, QZAV, RA2, WKT2	
E-40	15	T	87519-Z4H-000	MARK, OPERATOR CAUTION (PICTOGRAPH)	-	-	1	1	-----	HA2, LX2, PA2, QA2, QAE2, QAG2, QAR2, QHB2, QHB4, QXC9, QXU, QZA2, QZAV, RA2, VMT2, WKT2	
		T		87539-Z0J-800	MARK, EX. CAUTION (PICTOGRAPH).	-	-	1	-	-----	HA2, LX2, PA2, QA2, QAE2, QAG2, QAR2, QXC9, QXU, QZA2, QZAV, RA2, WKT2
		T		87539-Z0J-810	MARK, EX. CAUTION (FRENCH).....	-	-	1	-		

NOTE A:PART NO. CHANGE D:NEWLY PROVIDED E:PART NO. DELETION K:REQUIRED NO. CORRECTION L:APPLICATION SERIAL NO. CORRECTION  
T:APPLICATION CORRECTION Z:REMARKS CHANGE