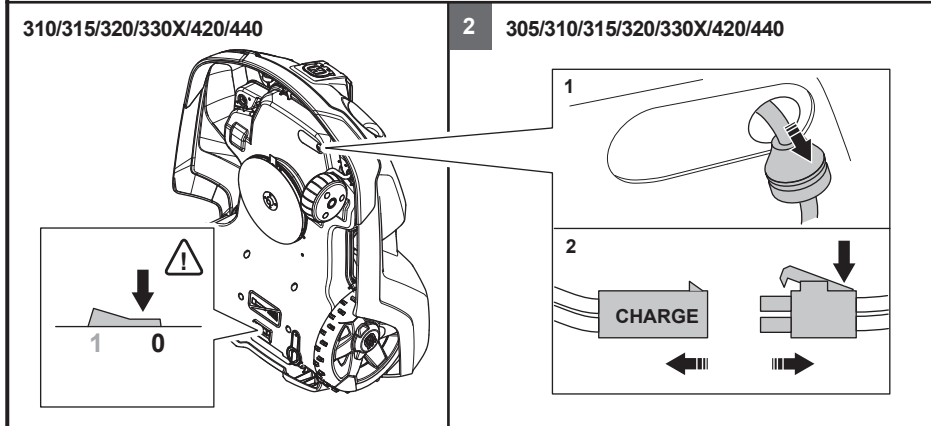
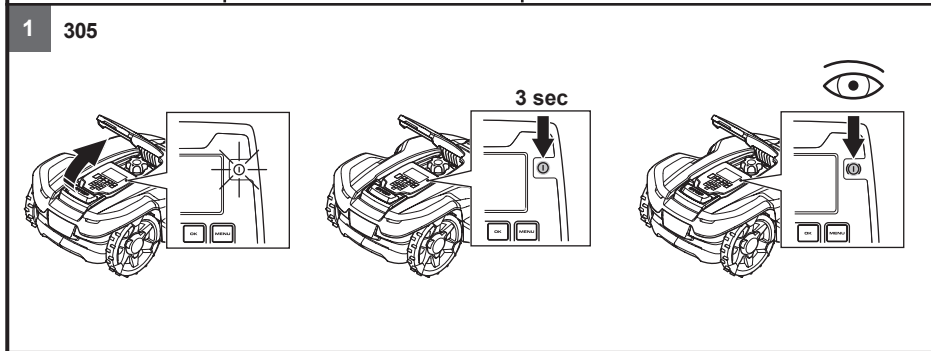
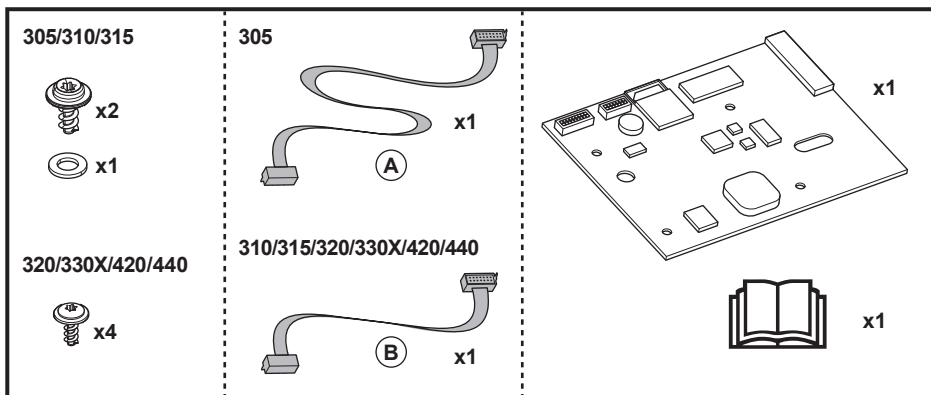
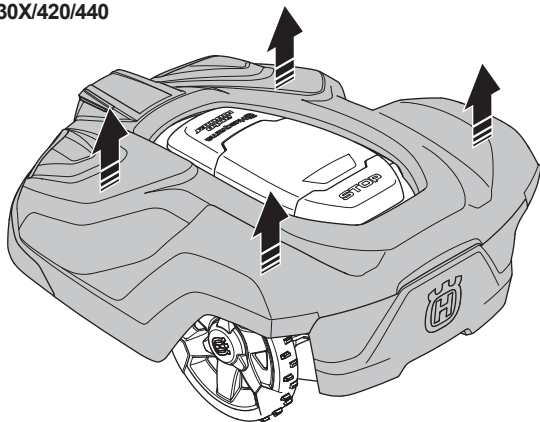


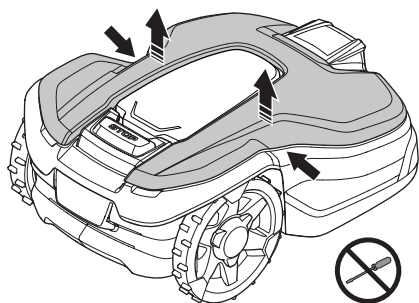
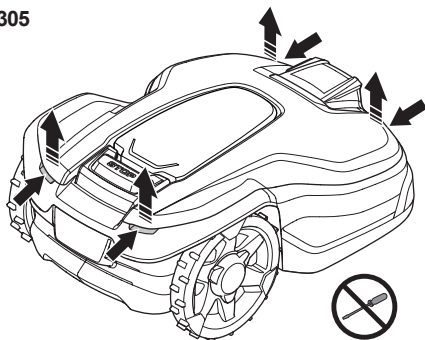
Only m/2016-: 310/315, m/All: 305/320/330X/420/440. Automower® Connect, 2019-12



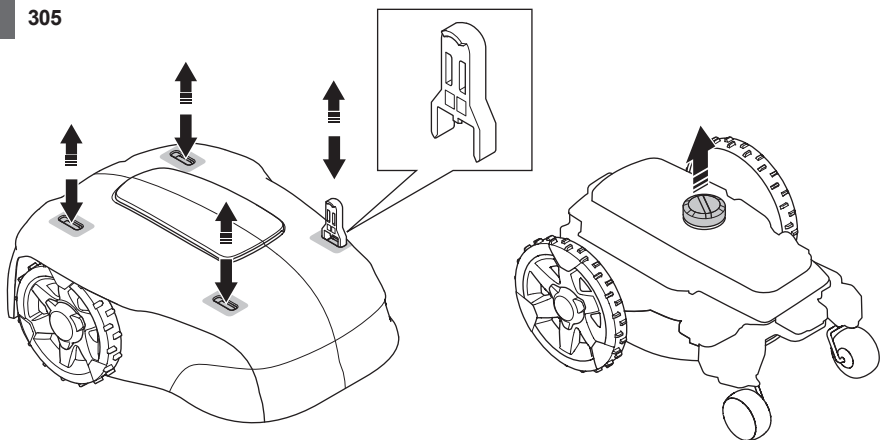
3 310/315/320/330X/420/440



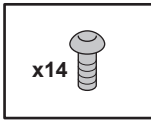
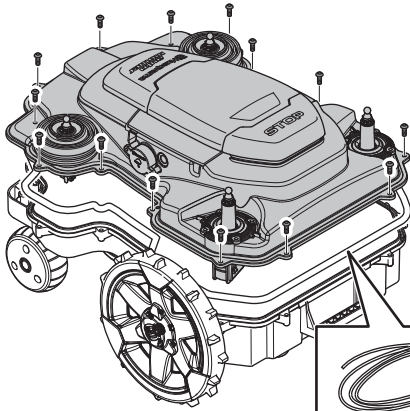
305



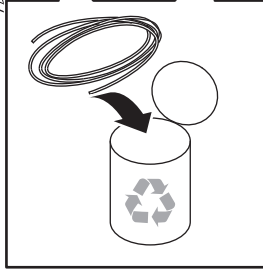
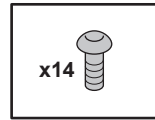
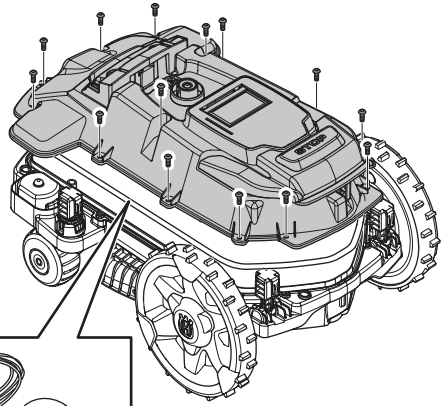
4 305



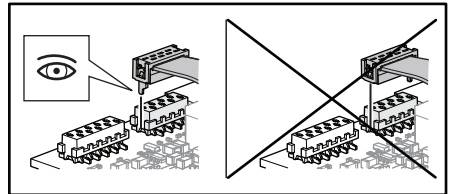
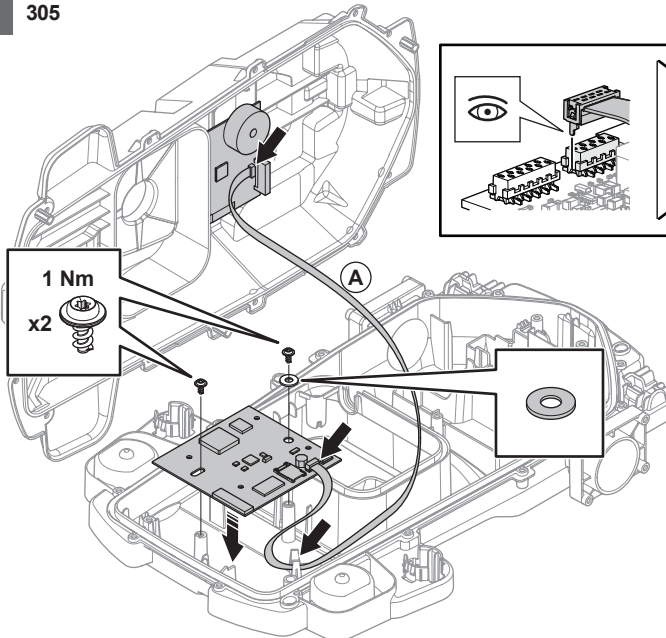
5 310/315/320/330X/420/440



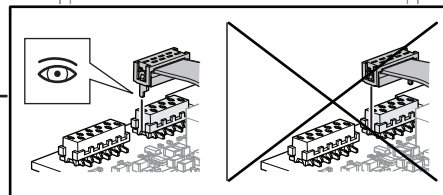
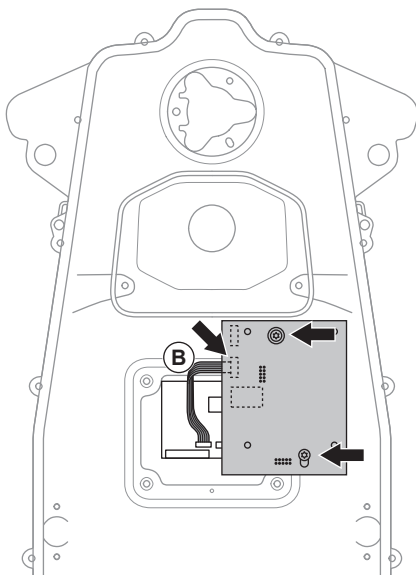
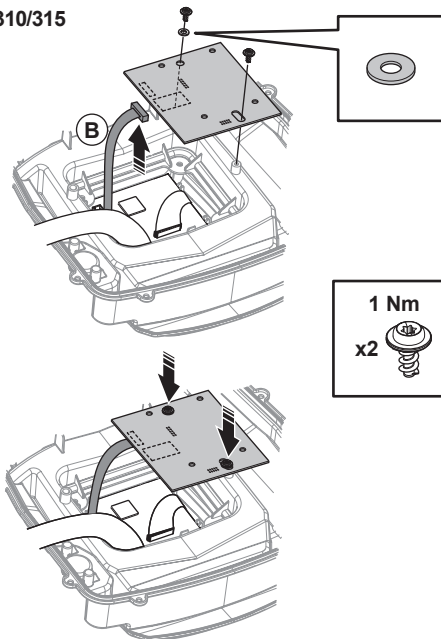
305



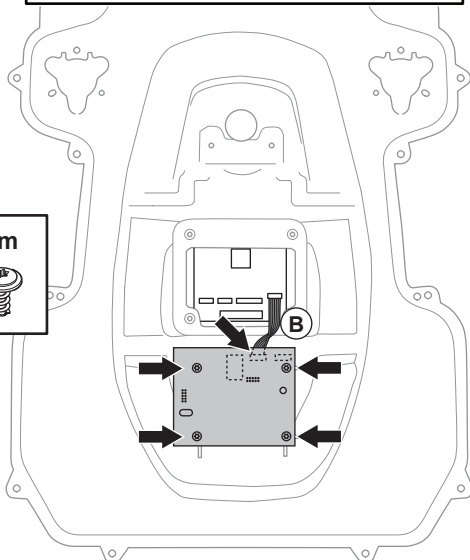
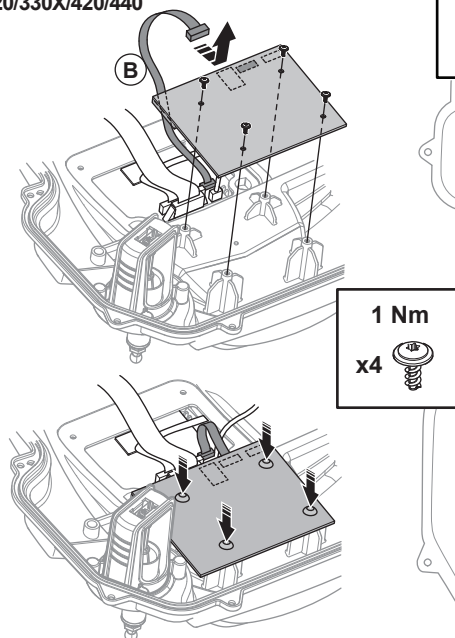
6 305



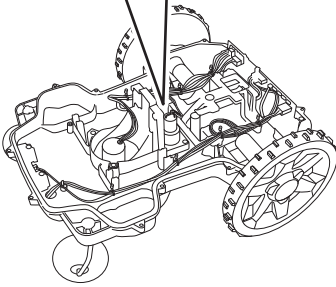
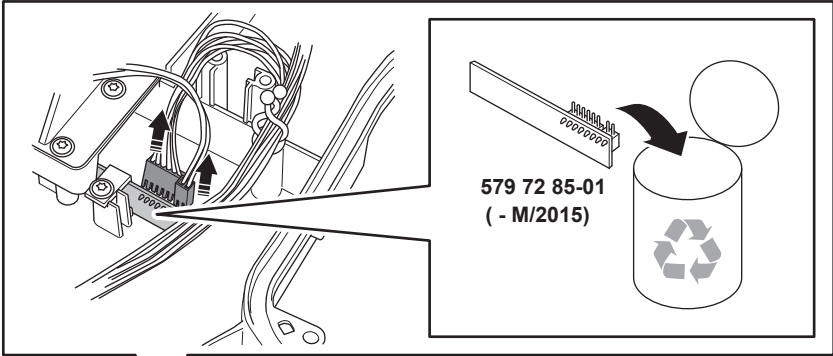
310/315



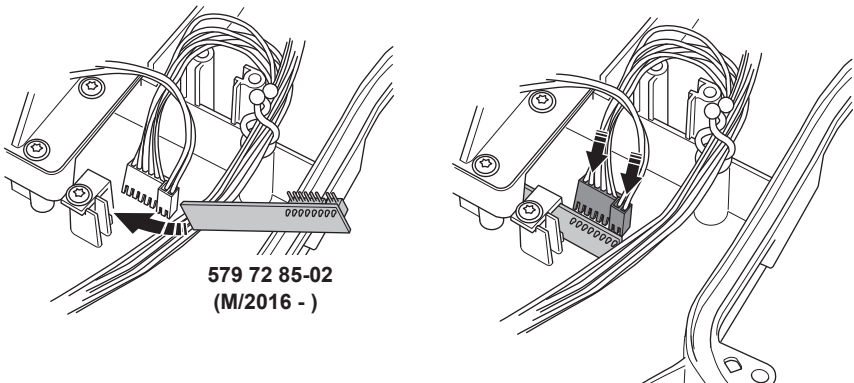
320/330X/420/440



7 320/330X -m/2015 only

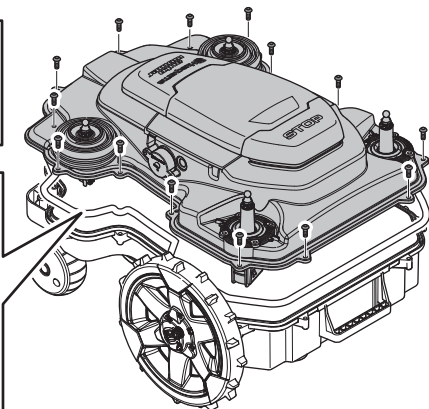
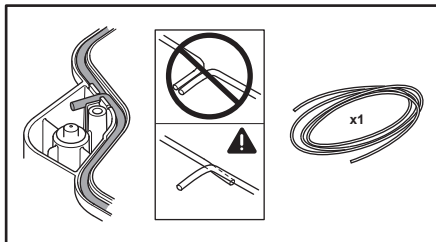



8 320/330X -m/2015 only



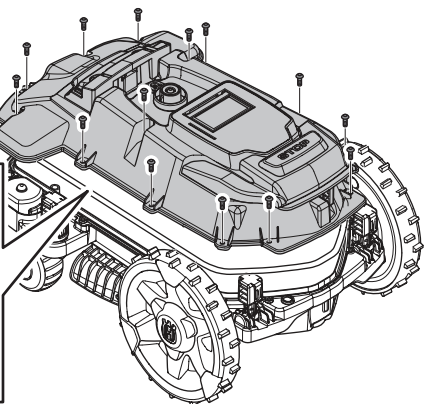
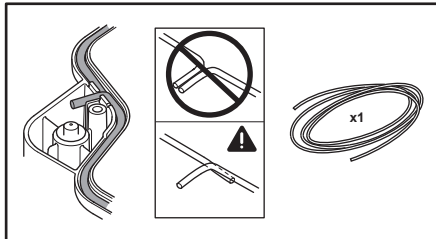

9 310/315/320/330X/420/440

1,5 Nm
x14

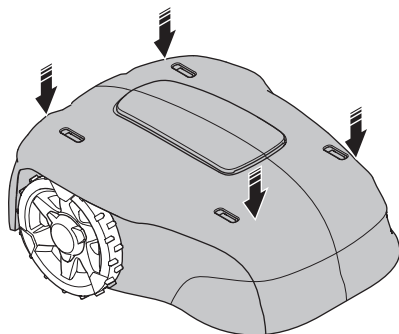
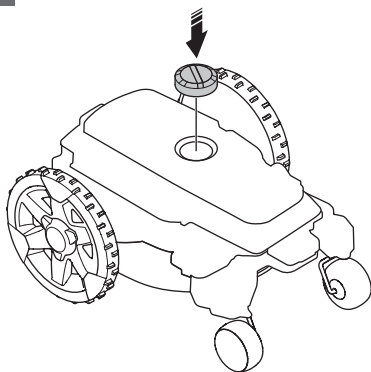


305

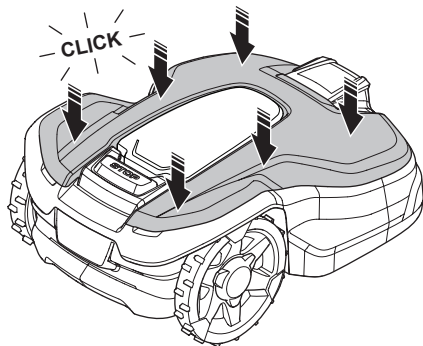
1,5 Nm
x14



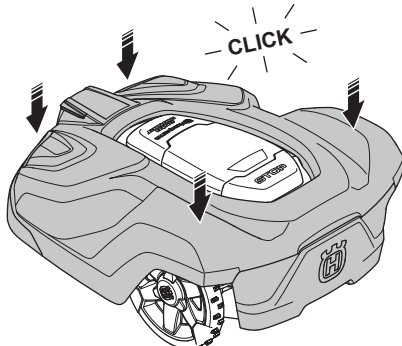
10 305



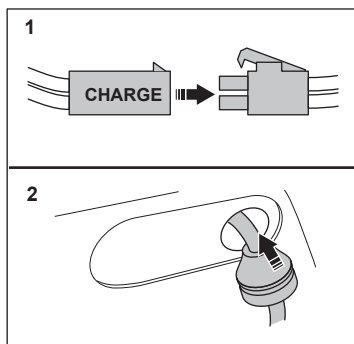
11 305



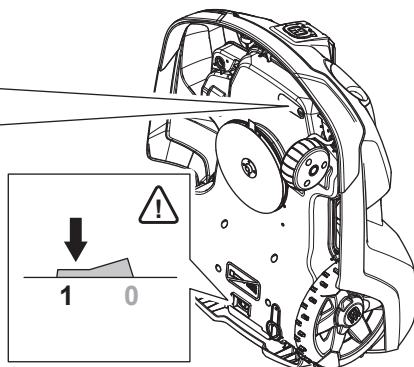
310/315/320/330X/420/440



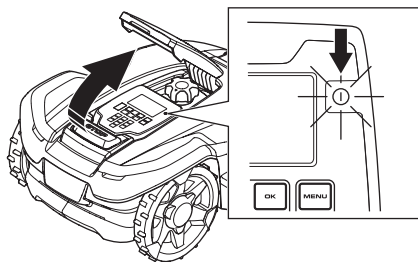
12 305/310/315/320/330X/420/440



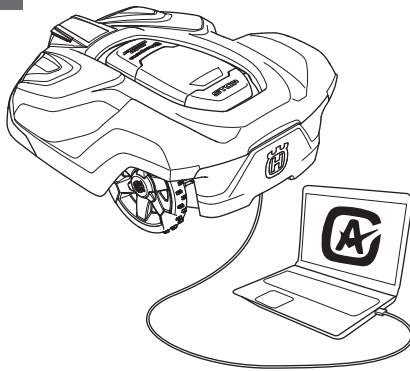
13 310/315/320/330X/420/440



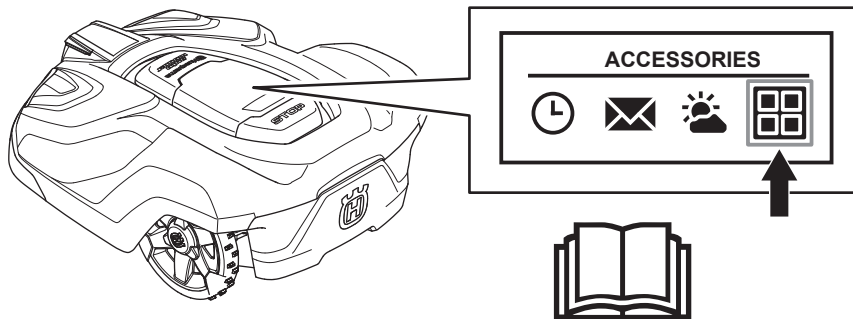
305



14 305/310/315/320/330X/420/440



15 305/310/315/320/330X/420/440



16 FOR US, JAPAN AND BRAZIL MARKET ONLY

FOR JP MARKET

当該機器には電波法に基づく、技術基準適合証明等を受けた特定無線設備を装着している

FOR US MARKET

Husqvarna Automower® Connect
This device contains the module
FCC ID: XXX1YYYY2ZZZ



FOR BRAZIL MARKET

Este produto contém a placa XXX
código de homologação
ANATEL XXXXX-YY-ZZZZ