

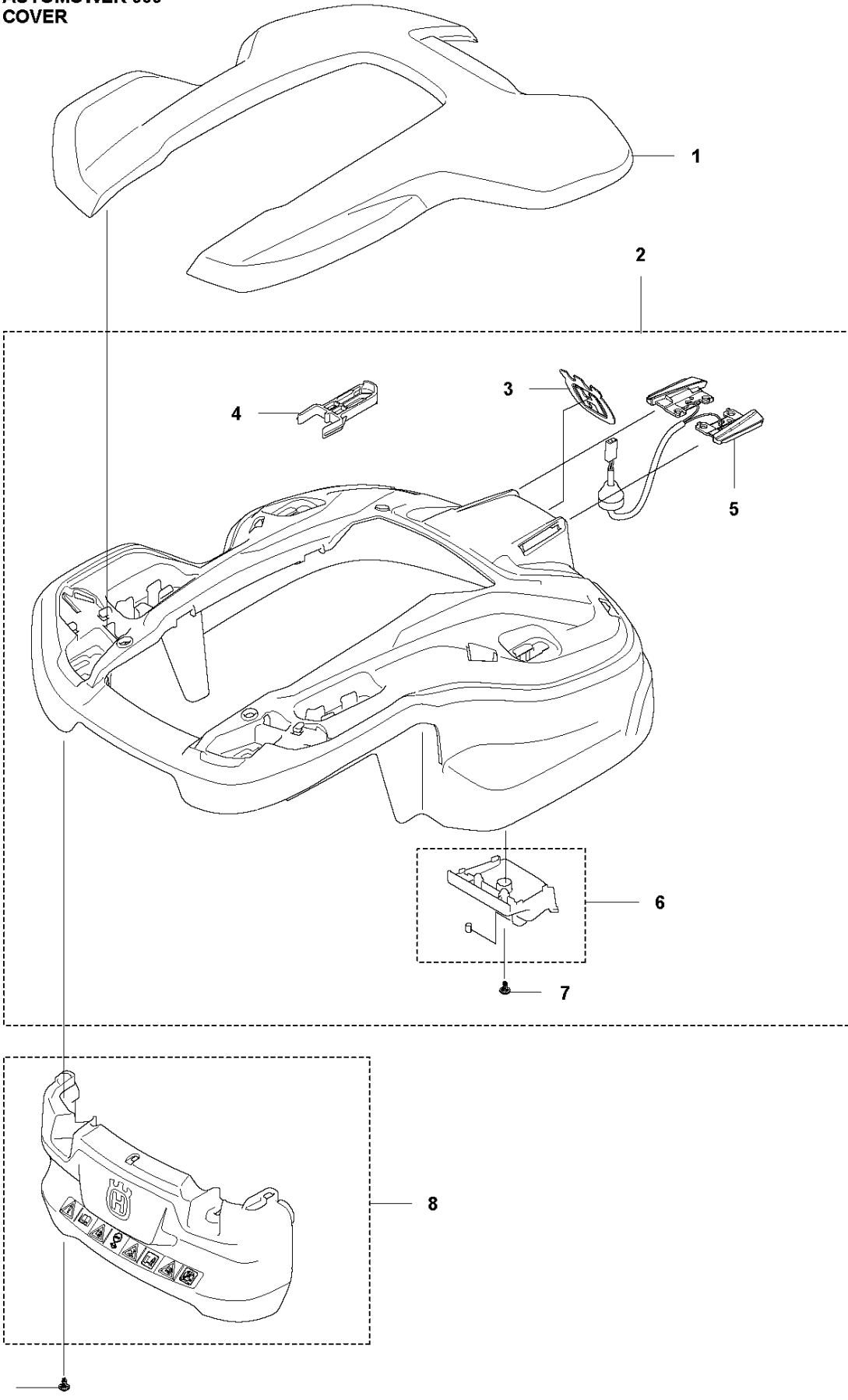


# SPARE PARTS LIST

ROBOTIC LAWN MOWERS

AUTOMOWER 305, 2020-

**A** AUTOMOWER 305  
COVER

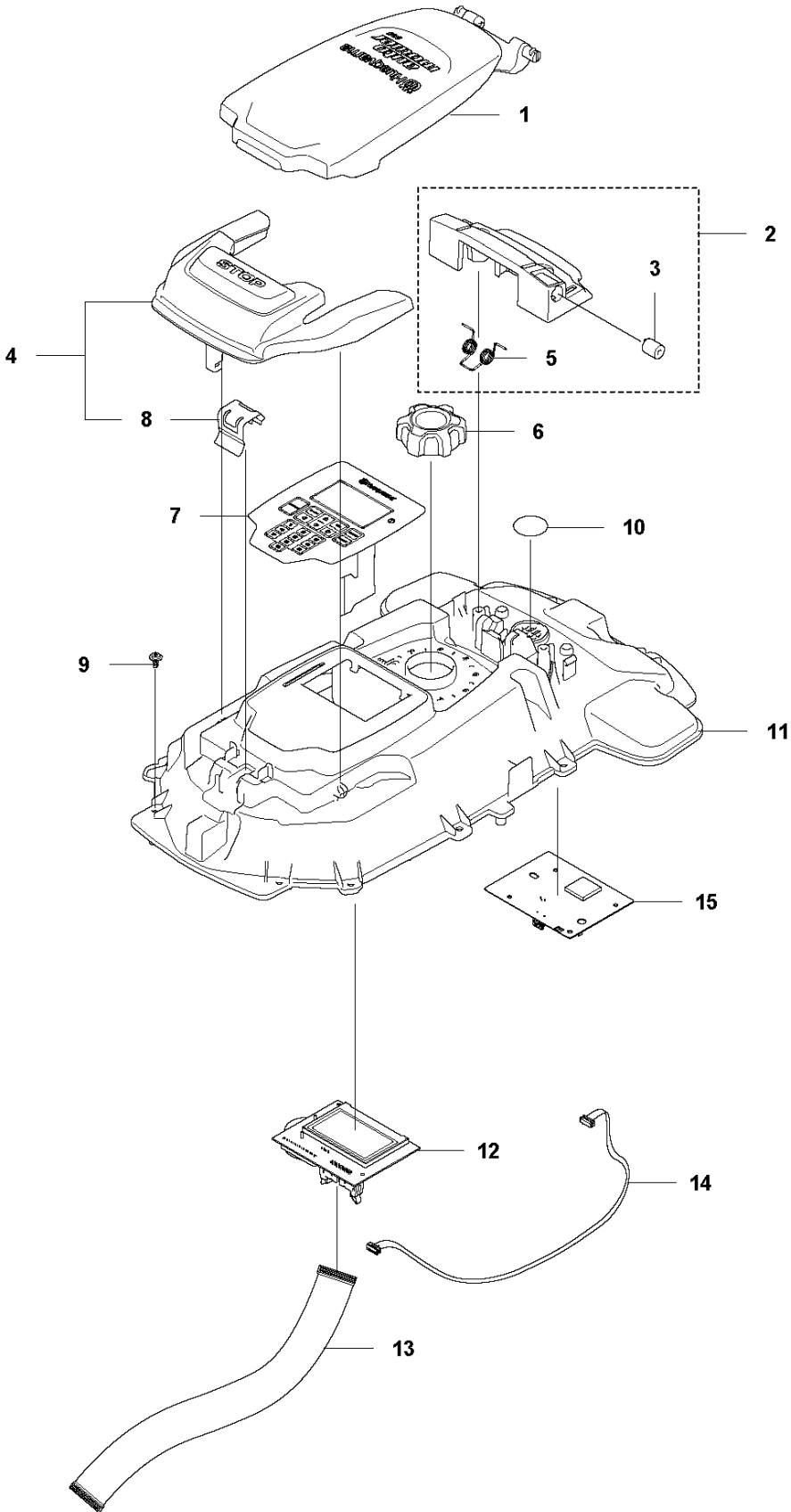


## COVER

AUTOMOWER 305, 2020-

| Ref | Part No      | Description    | Remark                          | QTY KIT |
|-----|--------------|----------------|---------------------------------|---------|
| 1   | 596 56 87-01 | COVER          | GREY                            | 1       |
| 1   | 597 70 31-01 | BODY KIT       | White                           | 1       |
| 1   | 597 70 31-02 | BODY KIT       | Orange                          | 1       |
| 2   | 597 75 76-01 | BODY ASSY      |                                 | 1       |
| 3   | 587 42 35-01 | DECAL          | Husqvarna Crown Height<br>55 mm | 1       |
| 4   | 598 76 42-01 | FORK           |                                 | 1       |
| 5   | 591 20 30-02 | WIRING ASSY    |                                 | 1       |
| 6   | 597 75 78-01 | CHARGING PLATE | Holder kit                      | 1       |
| 7   | 574 45 01-01 | SCREW ITPANT   |                                 | 3       |
| 8   | 596 56 85-01 | BUMPER         | Rear                            | 1       |

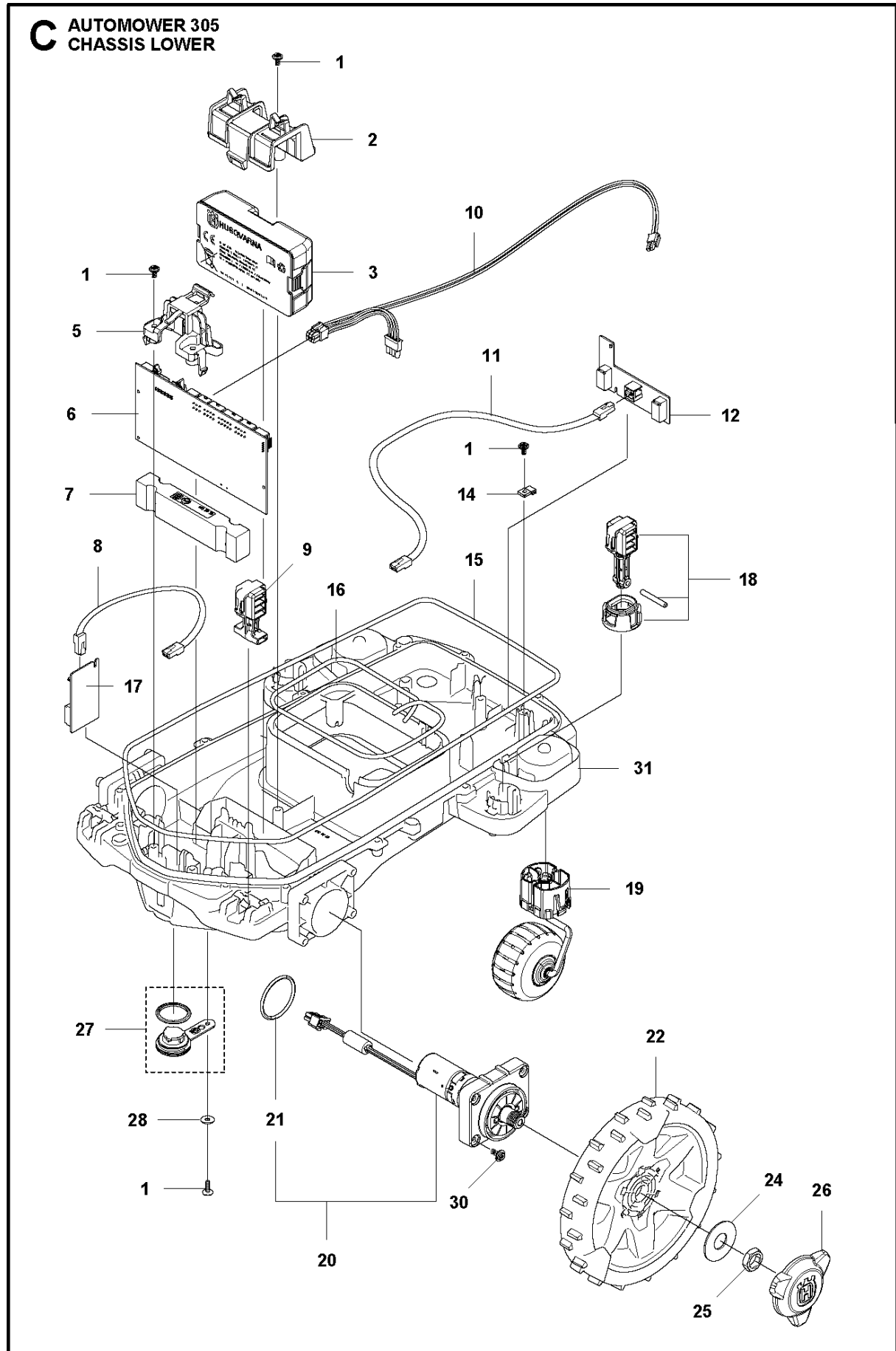
**B** AUTOMOWER 305  
CHASSIS UPPER



## CHASSIS UPPER

AUTOMOWER 305, 2020-

| Ref | Part No      | Description          | Remark                 | QTY KIT |
|-----|--------------|----------------------|------------------------|---------|
| 1   | 597 23 24-01 | HATCH                | HMI Cover              | 1       |
| 2   | 597 75 81-01 | SUPPORT              | Front Assy             | 1       |
| 3   | 580 35 23-02 | DAMPER               |                        | 1       |
| 4   | 597 76 97-01 | STOP                 | Stop Button Assy       | 1       |
| 5   | 585 25 54-01 | TORSION SPRING       |                        | 2       |
| 6   | 585 28 14-01 | KNOB                 |                        | 1       |
| 7   | 597 27 43-01 | KEYBOARD             | AM 305                 | 1       |
| 8   | 597 34 95-01 | SPRING               | Stop Button            | 1       |
| 9   | 574 45 01-01 | SCREW IXPANT         |                        | 16      |
| 10  | 577 75 37-01 | AIR FILTER           |                        | 1       |
| 11  | 596 52 94-01 | CHASSIS              | Upper                  | 1       |
| 12  | 597 23 38-01 | PRINTED CIRCUIT ASSY |                        | 1       |
| 13  | 590 11 06-01 | CABLE ASSY           | HMI Cable              | 1       |
| 14  | 593 14 89-01 | WIRING ASSY          | L=460mm                | 1       |
| 15  | 586 66 23-07 | GPS MODULE           | AM Connect, Kit ROW    | 1       |
| 15  | 586 66 23-11 | GPS MODULE           | AM Connect, Kit US/CAN | 1       |
| 15  | 586 66 23-08 | GPS MODULE           | AM Connect, Kit AUS/NZ | 1       |

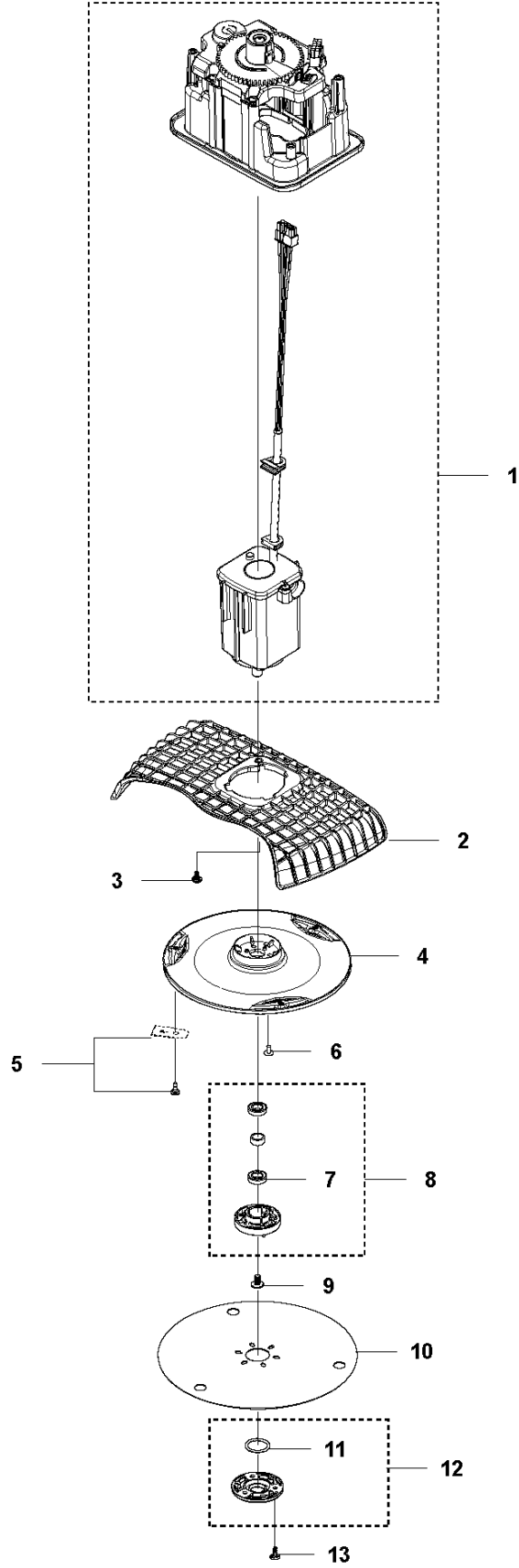


## CHASSIS LOWER

AUTOMOWER 305, 2020-

| Ref | Part No      | Description          | Remark                   | QTY KIT |
|-----|--------------|----------------------|--------------------------|---------|
| 1   | 574 45 01-01 | SCREW ITXPANT        |                          |         |
| 2   | 596 56 81-01 | HOLDER               | Battery                  | 1       |
| 3   | 593 24 72-01 | BATTERY              |                          | 1       |
| 5   | 596 56 88-01 | CLAMP                |                          | 1       |
| 6   | 592 90 99-01 | PRINTED CIRCUIT ASSY | Main Board               | 1       |
| 7   | 598 50 36-02 | WEIGHT               |                          | 1       |
| 8   | 589 35 10-02 | WIRING ASSY          | Modular Jack L=210mm     | 1       |
| 9   | 596 53 01-01 | STRUT                | Tilt                     | 2       |
| 10  | 597 57 64-01 | WIRING ASSY          |                          | 1       |
| 11  | 589 35 08-04 | WIRING ASSY          | Modular Jack L=570mm     | 1       |
| 12  | 597 18 92-01 | PRINTED CIRCUIT ASSY | Loop Sensor, Charge Side | 1       |
| 14  | 579 52 94-01 | CLAMP                | PCB                      | 1       |
| 15  | 574 87 47-15 | SEALING STRIP        | Chassis                  | 1       |
| 16  | 574 87 47-11 | SEALING STRIP        | Cutting System           | 1       |
| 17  | 597 18 16-01 | PRINTED CIRCUIT ASSY | Loop Sensor, Drive Side  | 1       |
| 18  | 590 77 07-01 | COLUMN ASSY          |                          | 4       |
| 19  | 589 30 08-02 | WHEEL ASSY           | Front                    | 2       |
| 20  | 598 58 73-01 | MOTOR KIT            |                          | 2       |
| 21  | 580 44 39-02 | O-RING               |                          | 2       |
| 22  | 590 21 73-01 | WHEEL ASSY           | Rear Wheel               | 2       |
| 24  | 586 21 06-01 | WASHER               | Rear Wheel               | 2       |
| 25  | 731 43 24-01 | HEXAGON THIN NUT     | Hexagon                  | 2       |
| 26  | 579 50 55-02 | HUB CAP              |                          | 2       |
| 27  | 581 62 12-02 | PLUG KIT             |                          | 1       |
| 28  | 734 11 37-41 | WASHER               |                          | 1       |
| 30  | 574 45 01-01 | SCREW ITXPANT        |                          | 1       |
| 31  | 596 56 80-01 | CHASSIS              |                          | 1       |

**D** AUTOMOWER 305  
BLADE MOTOR & CUTTING EQUIPMENT



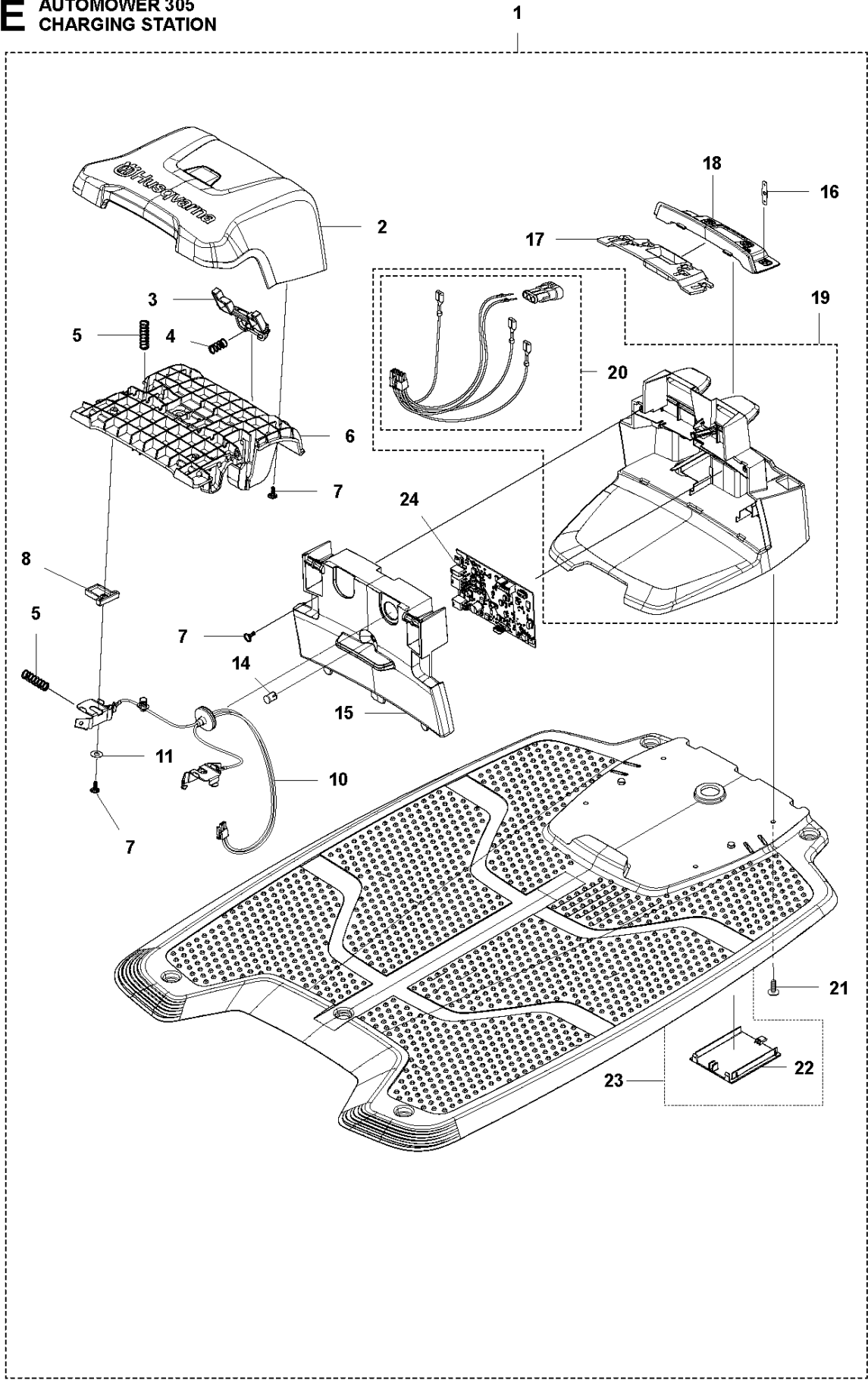


## BLADE MOTOR &amp; CUTTING EQUIPMENT

AUTOMOWER 305, 2020-

| Ref | Part No      | Description          | Remark                   | QTY KIT |
|-----|--------------|----------------------|--------------------------|---------|
| 1   | 582 59 06-02 | CUTTING SYSTEM       |                          | 1       |
| 2   | 596 56 89-01 | GUARD                |                          | 1       |
| 3   | 574 45 01-01 | SCREW ITPANT         |                          | 1       |
| 4   | 597 42 22-01 | CUTTING DISC         |                          | 1       |
| 5   | 595 08 44-01 | BLADE SET            | Endurance 6 pcs, Blister | 1       |
| 6   | 590 50 87-01 | SCREW                |                          | 3       |
| 7   | 535 07 57-03 | BALL BEARING         |                          | 2       |
| 7   | 593 08 08-01 | BALL BEARING         |                          | 2       |
| 8   | 588 42 17-02 | BEARING HOUSING ASSY |                          | 1       |
| 9   | 535 07 60-01 | SCREW                |                          | 1       |
| 10  | 597 44 99-01 | SKID PLATE           |                          | 1       |
| 11  | 585 29 75-01 | O-RING               |                          | 1       |
| 12  | 587 44 96-01 | COVER KIT            |                          | 1       |
| 13  | 575 54 33-14 | SCREW                |                          | 3       |

**E** AUTOMOWER 305  
CHARGING STATION

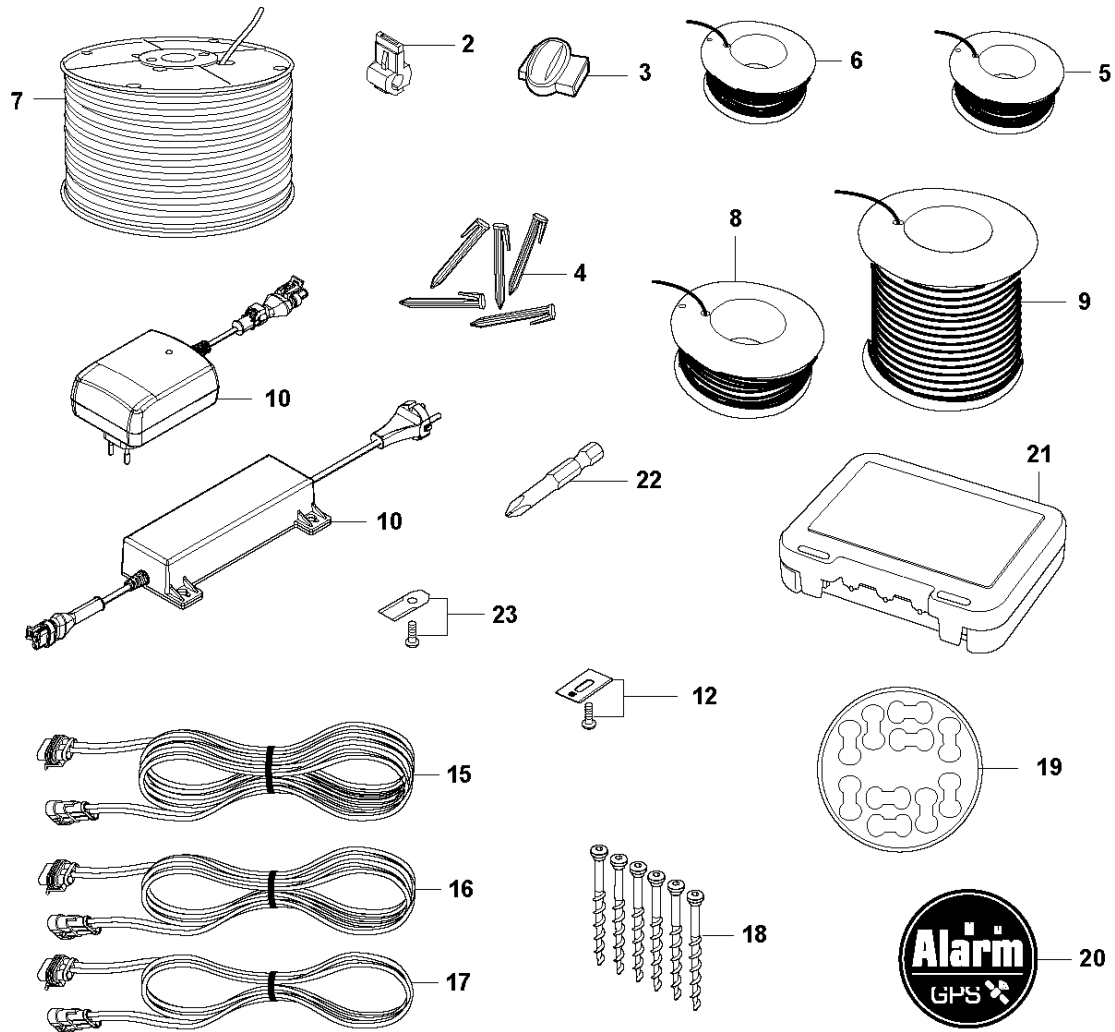
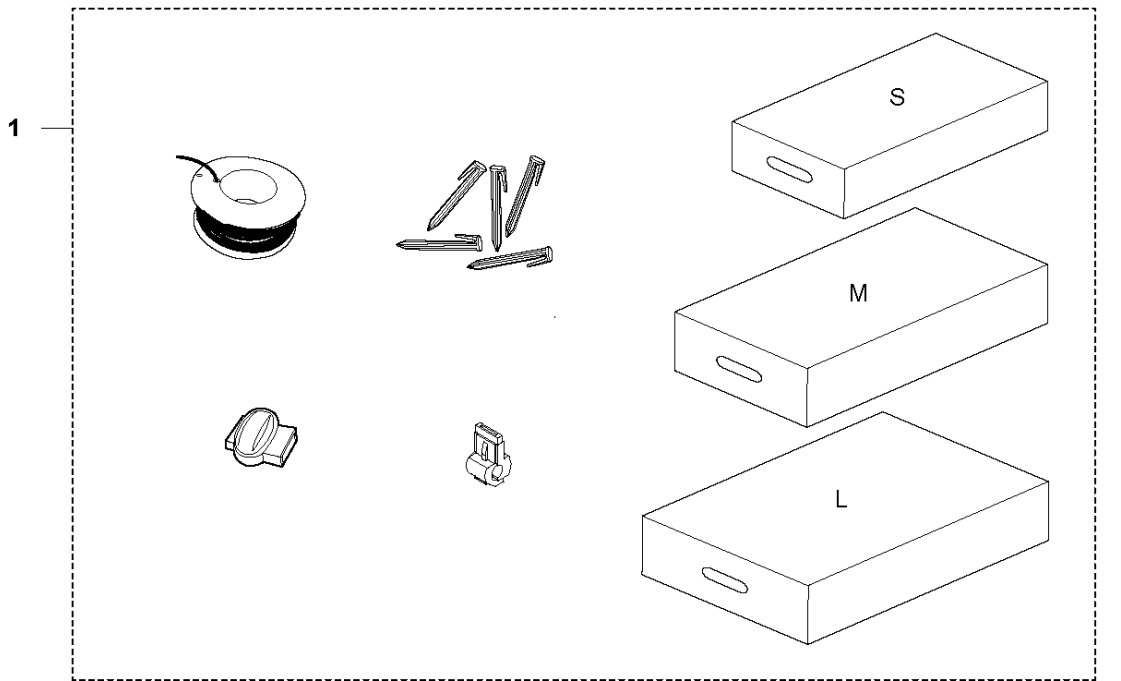


## CHARGING STATION

AUTOMOWER 305, 2020-

| Ref | Part No      | Description          | Remark                | QTY KIT |
|-----|--------------|----------------------|-----------------------|---------|
| 1   | 585 16 40-03 | CHARGING STATION     |                       | 1       |
| 2   | 585 07 11-02 | CAP                  |                       | 1       |
| 3   | 579 46 24-02 | BUTTON               |                       | 1       |
| 4   | 574 48 70-01 | SPRING               |                       | 1       |
| 5   | 580 51 14-01 | SPRING               |                       | 2       |
| 6   | 579 45 80-04 | FRAME                |                       | 1       |
| 7   | 575 54 33-14 | SCREW                |                       | 12      |
| 8   | 579 46 05-01 | SPACER               |                       | 2       |
| 10  | 585 53 95-02 | CABLE ASSY           | Loom Charging Contact | 1       |
| 11  | 734 11 37-41 | WASHER               |                       | 2       |
| 14  | 590 21 72-01 | LENS                 |                       | 1       |
| 15  | 585 07 14-01 | LID                  |                       | 1       |
| 16  | 580 50 41-01 | TERMINAL             |                       | 3       |
| 17  | 579 45 98-01 | PAN                  |                       | 1       |
| 18  | 579 45 99-01 | HOLDER               |                       | 1       |
| 19  | 588 41 61-01 | HOUSING ASSY         |                       | 1       |
| 20  | 587 65 15-01 | LOOM KIT             |                       | 1       |
| 22  | 585 91 93-01 | COVER                |                       | 1       |
| 23  | 587 65 16-02 | CHARGING PLATE       |                       | 1       |
| 24  | 592 90 93-02 | PRINTED CIRCUIT ASSY |                       | 1       |

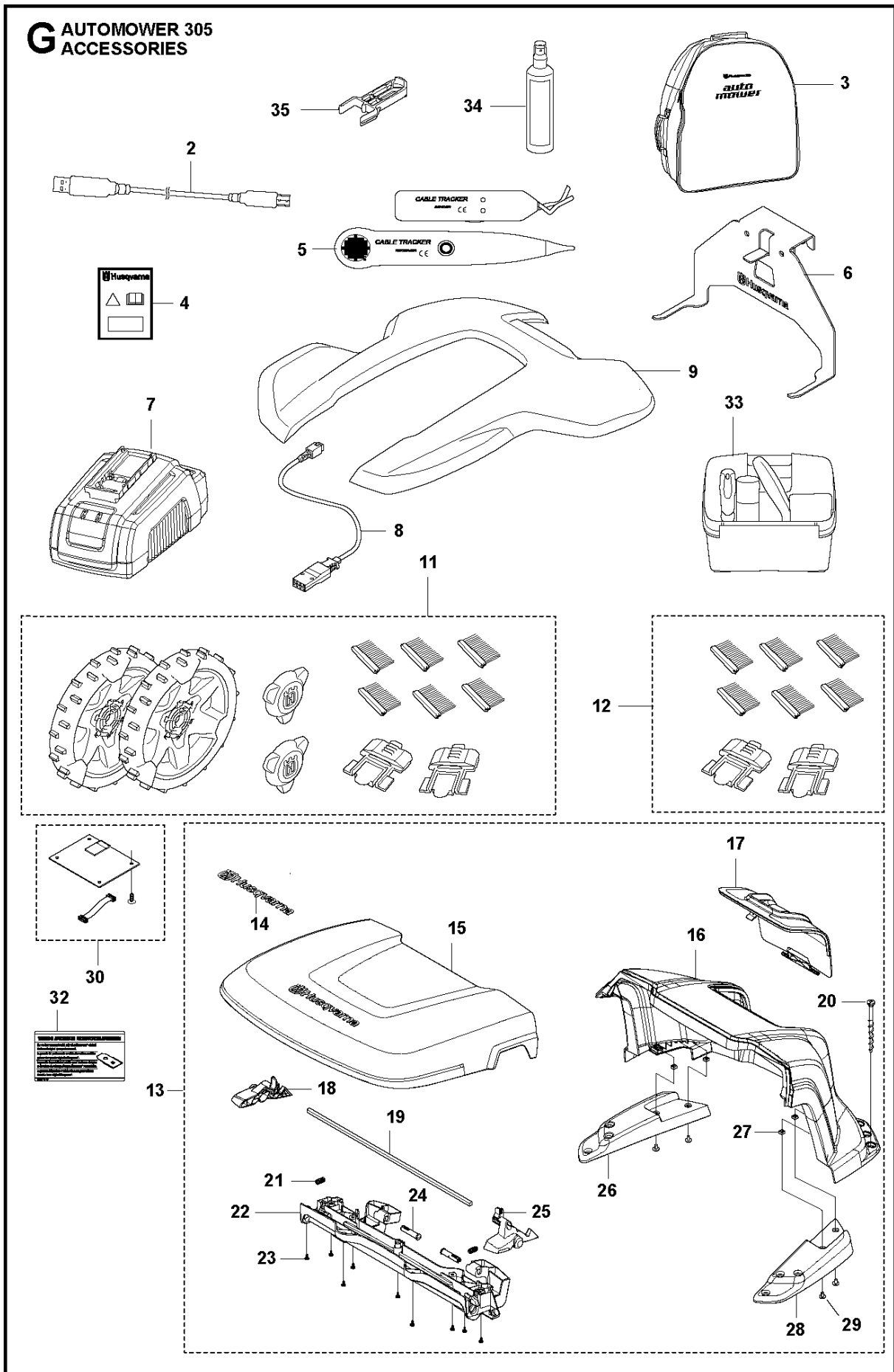
**F** AUTOMOWER 305  
INSTALLATION ACCESSORIES



INSTALLATION ACCESSORIES

AUTOMOWER 305, 2020-

| Ref | Part No      | Description      | Remark   | QTY KIT |
|-----|--------------|------------------|--|---------|
| 1   | 967 62 36-01 | INSTALLATION KIT | S Wire 150 m, Staples 300 pc, Connectors 3 pcs, Couplers 5 pcs | 1       |
| 1   | 967 62 36-02 | INSTALLATION KIT | M Wire 250 m, Staples 400 pc, Connectors 3 pcs, Couplers 5 pcs | 1       |
| 1   | 967 62 36-03 | INSTALLATION KIT | S Wire 400 m, Staples 600 pc, Connectors 5 pcs, Couplers 5 pcs | 1       |
| 2   | 535 12 90-01 | CONNECTOR        | Loop Wire Connector  | 1       |
| 2   | 577 86 48-01 | CONNECTOR        | Loop Wire Connector, Blister Pack 5 pcs                        | 1       |
| 2   | 535 12 90-02 | CONNECTOR        | Loop Wire Connector, Blister Pack 100 pcs                      | 1       |
| 3   | 501 98 02-01 | COUPLER          | Coupler  | 1       |
| 3   | 577 86 47-01 | COUPLER          | Coupler, Blister Pack 5 pcs                                    | 1       |
| 3   | 501 98 02-03 | COUPLER          | Coupler, 100 pcs   | 1       |
| 4   | 577 86 42-01 | STAPLE           | Staple Blister Pack 100 pcs                                    | 1       |
| 4   | 583 97 34-01 | STAPLE           | 100 pcs  | 1       |
| 5   | 577 86 43-02 | WIRE             | Wire, Blister Pack 50 m  | 1       |
| 5   | 580 66 20-02 | WIRE             | Wire, 150 m  | 1       |
| 5   | 577 86 43-01 | WIRE             | Wire, Blister Pack 150 m                                       | 1       |
| 6   | 580 66 20-01 | WIRE             | Wire 250 m   | 1       |
| 7   | 593 29 77-02 | WIRE             | Wire 300 m Pro 5,5 mm  | 1       |
| 8   | 522 91 41-01 | WIRE             | Wire 500 m 3,4 mm  | 1       |
| 9   | 580 66 20-04 | WIRE             | Wire 800 m   | 1       |
| 10  | 593 16 36-01 | POWER UNIT       | Power Unit EU, Plug in   | 1       |
| 10  | 584 86 26-01 | POWER UNIT       | Power Unit EU, Desktop   | 1       |
| 10  | 590 44 22-02 | POWER UNIT       | Power Unit GB  | 1       |
| 10  | 590 44 22-03 | POWER UNIT       | Power Unit CH  | 1       |
| 10  | 590 44 22-04 | POWER UNIT       | Power Unit US  | 1       |
| 10  | 590 44 22-05 | POWER UNIT       | Power Unit AUS/NZ  | 1       |
| 10  | 590 44 22-06 | POWER UNIT       | Power Unit JP  | 1       |
| 10  | 590 44 22-07 | POWER UNIT       | Power Unit ROK   | 1       |
| 10  | 590 44 22-08 | POWER UNIT       | Power Unit BR  | 1       |
| 10  | 590 44 22-09 | POWER UNIT       | Power Unit ARG   | 1       |
| 12  | 595 08 44-01 | BLADE SET        | Endurance Blade, 6 pcs   | 1       |
| 12  | 595 08 44-02 | BLADE SET        | Endurance Blade, 45 pcs  | 1       |
| 12  | 595 08 44-03 | BLADE SET        | Endurance Blade, 300 pcs                                       | 1       |
| 15  | 579 82 51-01 | CABLE ASSY       | Low Voltage Cable, 20 m  | 1       |
| 16  | 579 82 51-02 | CABLE ASSY       | Low Voltage Cable, 10 m  | 1       |
| 17  | 579 82 51-03 | CABLE ASSY       | Low Voltage Cable, 3 m   | 1       |
| 17  | 579 82 51-04 | CABLE ASSY       | Low Voltage Cable, 5 m   | 1       |
| 18  | 597 43 58-01 | ANCHOR           | 6 pcs+Key  | 1       |
| 19  | 586 27 79-01 | STICKER          | Cable Markers, 10 pcs  | 1       |
| 20  | 594 05 48-01 | LABEL            | Label Alarm  | 1       |
| 21  | 590 85 50-01 | BOX              | Cable Connector Protection                                     | 1       |
| 22  | 596 33 98-01 | TOOL             | Bit for Robotic Blades   | 1       |
| 23  | 577 86 46-03 | BLADE SET        | Long Life Safety Blade, Blister Pack 9 pcs                     | 1       |
| 23  | 577 60 65-05 | BLADE SET        | Long Life Safety Blade, 45 pcs                                 | 1       |
| 23  | 577 60 66-04 | BLADE SET        | Long Life Safety Blade, 300 pcs                                | 1       |



## ACCESSORIES

AUTOMOWER 305, 2020-

| Ref | Part No      | Description    | Remark                                | QTY KIT |
|-----|--------------|----------------|---------------------------------------|---------|
| 2   | 577 51 81-02 | CABLE          | Service Cable (USB)                   | 1       |
| 3   | 522 91 67-01 | BAG            | Bag                                   | 1       |
| 4   | 580 68 95-02 | LABEL          | Warranty Seal 1pcs                    | 1       |
| 5   | 577 60 68-01 | TEST EQUIPMENT | Interruption Detector                 | 1       |
| 6   | 597 70 36-01 | WALL HANGER    | Wallhanger AM305                      | 1       |
| 7   | 588 40 84-01 | CHARGER        | Quick Charger with Battery Test       | 1       |
| 8   | 588 20 26-01 | CABLE ASSY     | Cable Quick Charger                   | 1       |
| 9   | 597 70 31-01 | BODY KIT       | White                                 | 1       |
| 12  | 597 70 46-01 | BRUSH KIT      | Wheel Brush KIT (Holder x2, Brush x6) | 1       |
| 11  | 597 70 54-01 | WHEEL KIT      | Terrain KIT (Brush KIT + Rear wheels) | 1       |
| 12  | 505 13 28-03 | BRUSH          | Brush, 6 pcs                          | 1       |
| 13  | 587 23 61-01 | HOUSING        | House KIT                             | 1       |
| 14  | 577 46 90-01 | DECAL          | Decal                                 | 1       |
| 15  | 585 32 35-01 | COVER          | Lid                                   | 1       |
| 16  | 586 99 38-01 | COVER          | Cover Base                            | 1       |
| 17  | 585 32 36-01 | HATCH          | Hatch                                 | 1       |
| 18  | 585 32 40-02 | HANDLE         | Handle Left                           | 1       |
| 19  | 585 32 41-01 | ROD            | Steel                                 | 1       |
| 20  | 597 43 58-01 | ANCHOR         | 6 pcs+Key                             | 1       |
| 21  | 580 51 14-01 | SPRING         | Spring                                | 2       |
| 22  | 585 34 16-01 | BEAM           | Beam                                  | 1       |
| 23  | 575 54 33-14 | SCREW          | Screw                                 | 9       |
| 24  | 585 34 15-01 | HINGE PIN      | Hinge Pin                             | 2       |
| 25  | 585 32 40-01 | HANDLE         | Handle Right                          | 1       |
| 26  | 585 32 38-02 | SUPPORT        | Support Left                          | 1       |
| 27  | 503 22 66-01 | SQUARE NUT     | Square Nut                            | 4       |
| 28  | 585 32 38-01 | SUPPORT        | Support Right                         | 1       |
| 29  | 535 12 93-03 | SCREW IHPANM   | Screw                                 | 4       |
| 30  | 586 66 23-07 | GPS MODULE     | AM Connect, Kit ROW                   | 1       |
| 30  | 586 66 23-08 | GPS MODULE     | AM Connect, Kit AUS/NZ                | 1       |
| 30  | 586 66 23-11 | GPS MODULE     | AM Connect, Kit US/CAN                | 1       |
| 32  | 591 37 41-01 | DECAL          | Warning Original Blade SE,NO,DK,FIN   | 1       |
| 32  | 591 37 41-02 | DECAL          | Warning Original Blade DE,FR,NL,IT    | 1       |
| 32  | 591 37 41-03 | DECAL          | Warning Original Blade UK,ES,FR,IT    | 1       |
| 33  | 590 85 51-01 | KIT            | Maintenance and Cleaning              | 1       |
| 34  | 593 96 79-01 | SPRAY          | Care and Shine 200ml                  | 1       |
| 35  | 598 76 42-01 | FORK           |                                       | 1       |