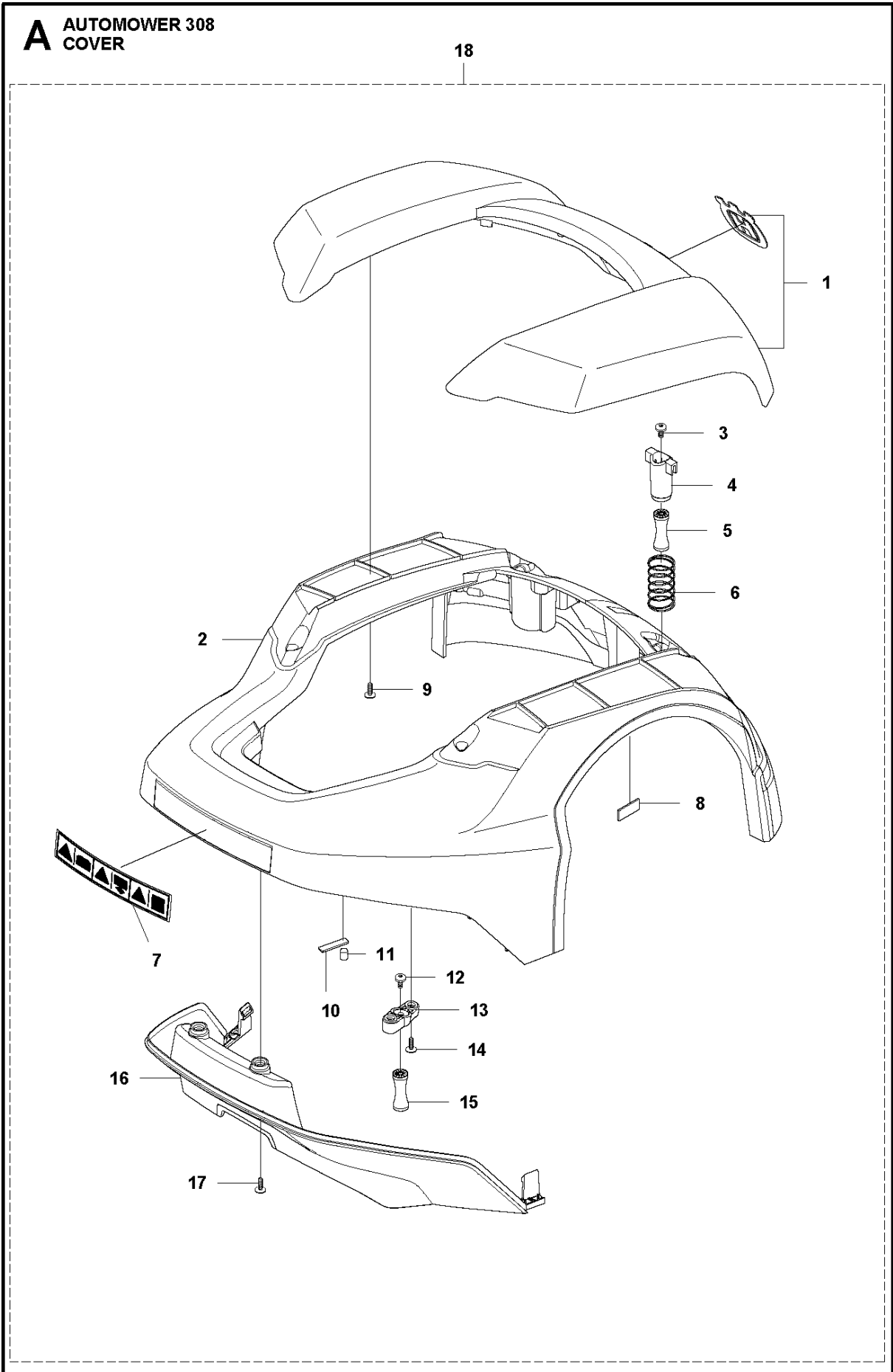




SPARE PARTS LIST

ROBOTIC LAWN MOWERS
AUTOMOWER 308, 2015-01

A AUTOMOWER 308
COVER

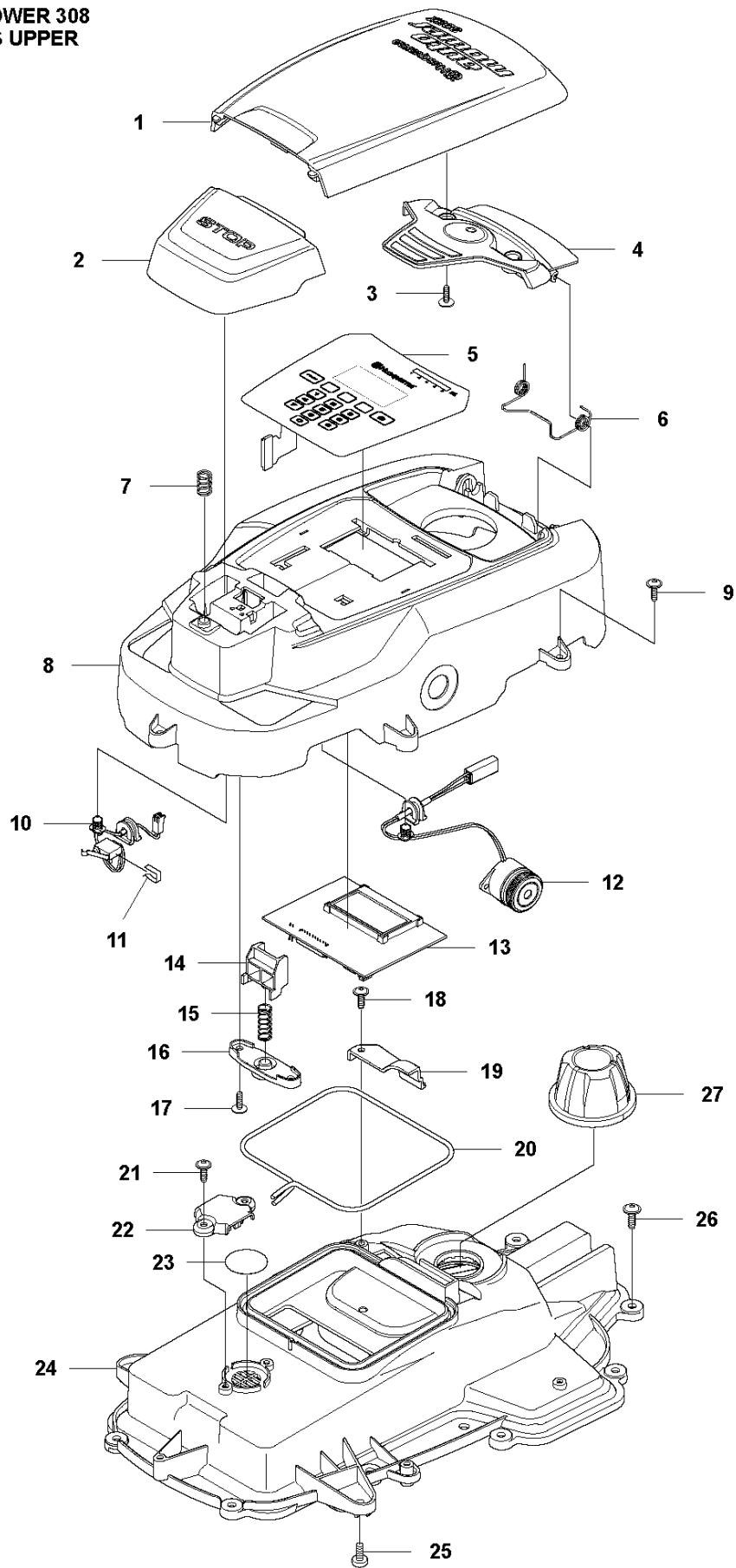


COVER

AUTOMOWER 308, 2015-01

Ref	Part No	Description	Remark	QTY KIT
1	577 73 47-02	KIT	Grey	1
2	577 74 72-02	KIT		1
3	576 21 39-01	SCREW ITPANM	M5x12	2
4	574 46 90-02	BRACKET		2
5	574 46 91-02	DAMPER		2
6	574 48 51-02	SPRING		2
7	576 24 00-01	LABEL		1
8	576 18 32-01	MAGNET		1
9	575 54 33-14	SCREW	grey (14mm)	7
10	576 03 01-01	PLATE		1
11	576 18 33-01	MAGNET		1
12	576 21 39-01	SCREW ITPANM	M5x12	2
13	575 41 60-02	SUPPORT CLAMP		2
14	575 54 33-14	SCREW	grey (14mm)	4
15	574 46 91-02	DAMPER		2
16	574 46 52-01	BUMPER		1
17	575 54 33-14	SCREW	grey (14mm)	2
18	577 95 53-02	BODY SYSTEM	Grey	1

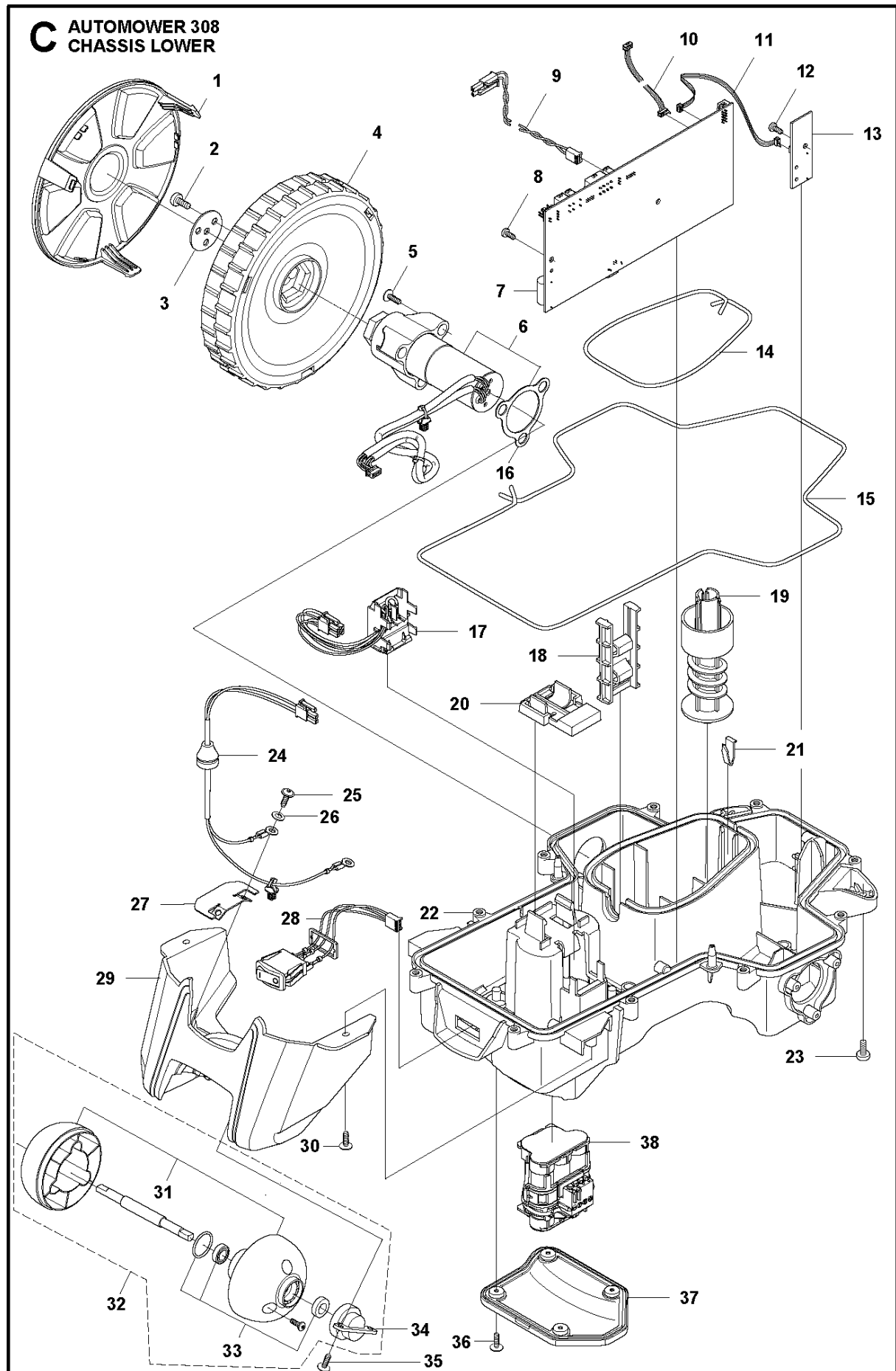
B AUTOMOWER 308
CHASSIS UPPER



CHASSIS UPPER

AUTOMOWER 308, 2015-01

Ref	Part No	Description	Remark	QTY KIT
1	580 79 29-02	HATCH	Grey	1
2	574 46 47-01	BUTTON		1
3	575 54 33-14	SCREW	grey (14mm)	2
4	574 37 79-01	HINGE		1
5	575 77 94-01	KEYBOARD		1
6	576 24 21-01	SPRING		1
7	574 48 70-01	SPRING		1
8	577 75 28-02	KIT		1
9	575 54 33-14	SCREW	grey (14mm)	5
10	574 48 03-01	SWITCH		1
11	535 08 98-01	CLIP		1
12	574 47 59-01	BUZZER		1
13	575 64 01-01	PRINTED CIRCUIT ASSY		1
14	575 40 90-01	LOCK		1
15	576 24 22-01	SPRING		1
16	575 41 58-01	SPRING HOLDER		1
17	575 54 33-14	SCREW	grey (14mm)	2
18	575 54 33-14	SCREW	grey (14mm)	1
19	576 05 39-01	COVER		1
20	577 75 36-01	KIT	10 pcs, Ø4mm	1
20	574 87 47-04	SEALING STRIP	Ø4mm	1
21	575 54 33-14	SCREW	grey (14mm)	2
22	576 69 70-01	COVER		1
23	577 75 37-01	AIR FILTER	10 pcs	1
24	577 75 29-02	KIT		1
25	576 21 39-01	SCREW ITXPANM		2
26	574 45 01-01	SCREW ITXPANT		10
27	579 74 24-01	KNOB	kit incl. label	1

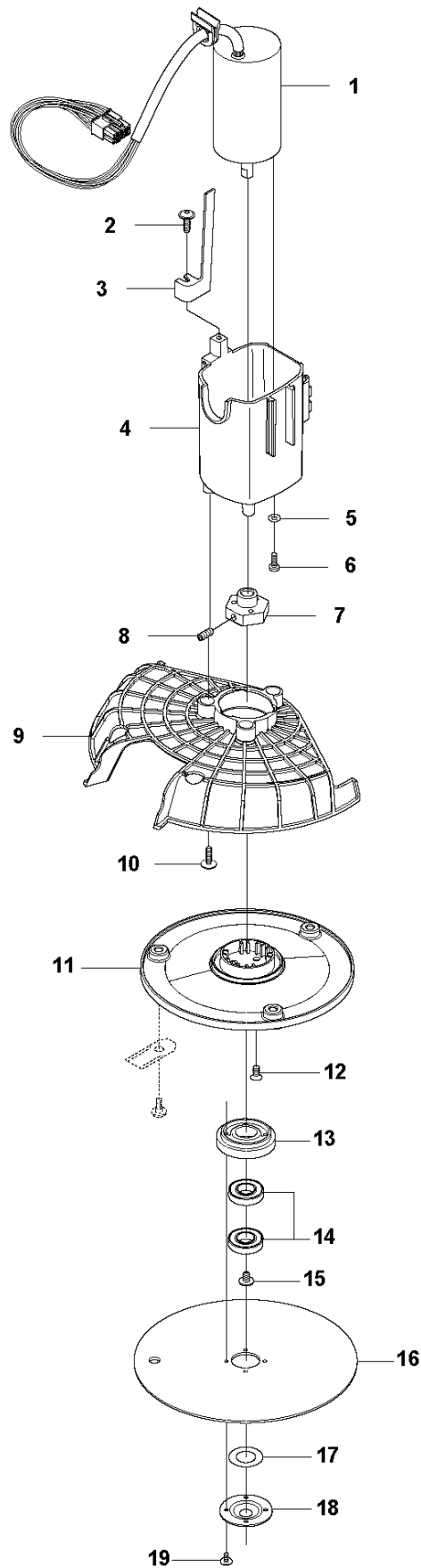


CHASSIS LOWER

AUTOMOWER 308, 2015-01

Ref	Part No	Description	Remark	QTY KIT
1	575 43 08-01	HUB CAP		2
2	576 21 39-02	SCREW ITXPANM		6
3	577 09 32-01	WASHER		2
4	574 46 51-04	WHEEL		2
5	575 54 33-14	SCREW	grey (14mm)	6
6	577 83 99-04	WHEEL MOTOR ASSY		2
7	581 22 10-01	PRINTED CIRCUIT ASSY		1
8	535 13 03-10	SCREW ITXPANT	10mm	2
9	576 22 02-01	WIRING ASSY		1
10	574 47 92-01	WIRING ASSY		1
11	574 47 90-01	WIRING ASSY		1
12	535 13 03-10	SCREW ITXPANT	10mm	1
13	575 64 09-01	PRINTED CIRCUIT ASSY		1
14	577 75 36-01	KIT	10 pcs, Ø4mm	1
14	574 87 47-04	SEALING STRIP	Ø4mm	1
15	577 84 36-01	SEALING STRIP	10 pcs, Ø4mm	1
15	574 87 47-03	SEALING STRIP	Ø4mm	1
16	574 37 37-01	GASKET		2
17	574 47 98-01	WIRING ASSY		1
18	574 50 19-01	GUIDE RAIL		2
19	574 48 46-01	SCREW		1
20	575 40 82-01	LOCK		1
21	577 10 32-01	LOCKING SPRING		1
22	577 84 62-02	CHASSIS		1
23	576 21 39-01	SCREW ITXPANM		2
24	574 47 77-02	WIRING ASSY		1
25	575 54 33-14	SCREW	grey (14mm)	2
26	535 08 74-01	WASHER		2
27	574 49 00-02	CHARGING PLATE		2
28	579 70 87-01	WIRING ASSY		1
29	574 46 72-02	HOUSING		1
30	575 54 33-14	SCREW	grey (14mm)	3
31	583 85 39-02	REAR WHEEL	grey (14mm)	1
32	578 27 51-03	REAR WHEEL		1
33	578 27 52-01	BEARING KIT	Bearing (x2), sealing (x2), O-ring (x1)	1
34	577 71 50-01	BEARING HOUSING		2
35	575 54 33-14	SCREW	grey (14mm)	4
36	574 45 01-01	SCREW ITXPANT		4
37	574 46 73-01	COVER		1
38	589 58 61-01	BATTERY	Battery, Lithium 18V	1

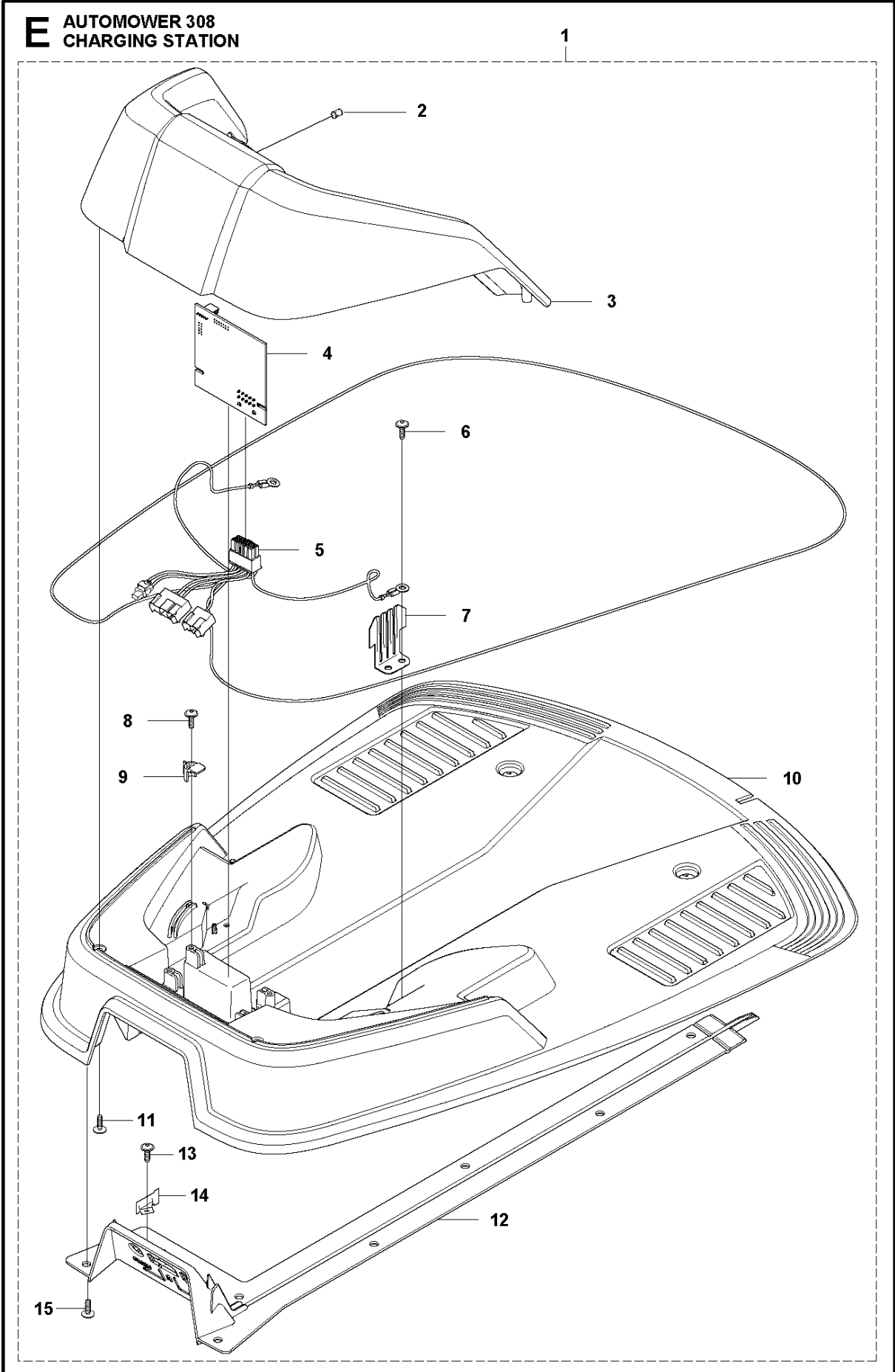
D AUTOMOWER 308
BLADE MOTOR & CUTTING EQUIPMENT



BLADE MOTOR & CUTTING EQUIPMENT

AUTOMOWER 308, 2015-01

Ref	Part No	Description	Remark	QTY KIT
1	584 98 93-01	MOTOR		1
2	575 54 33-14	SCREW	grey (14mm)	1
3	574 50 35-01	HEIGHT INDICATOR		1
4	581 02 03-01	MOTOR HOUSING		1
5	510 01 95-01	WASHER		3
6	576 21 38-01	SCREW ITPANM	M4x12	3
7	580 79 31-01	HUB		1
8	576 21 35-01	SCREW IHSETM		1
9	577 85 02-03	GUARD		1
10	575 54 33-14	SCREW	grey (14mm)	3
11	580 79 28-02	CUTTING DISC		1
12	535 13 05-01	SCREW		3
13	535 12 64-01	HOUSING		1
14	535 07 57-02	BALL BEARING		2
14	593 08 08-01	BALL BEARING	Tube 50 pcs	1
15	535 07 60-01	SCREW		1
16	580 79 27-01	SKID PLATE		1
17	535 08 25-01	GASKET		1
18	535 08 15-01	COVER WASHER		1
19	575 54 33-10	SCREW		4

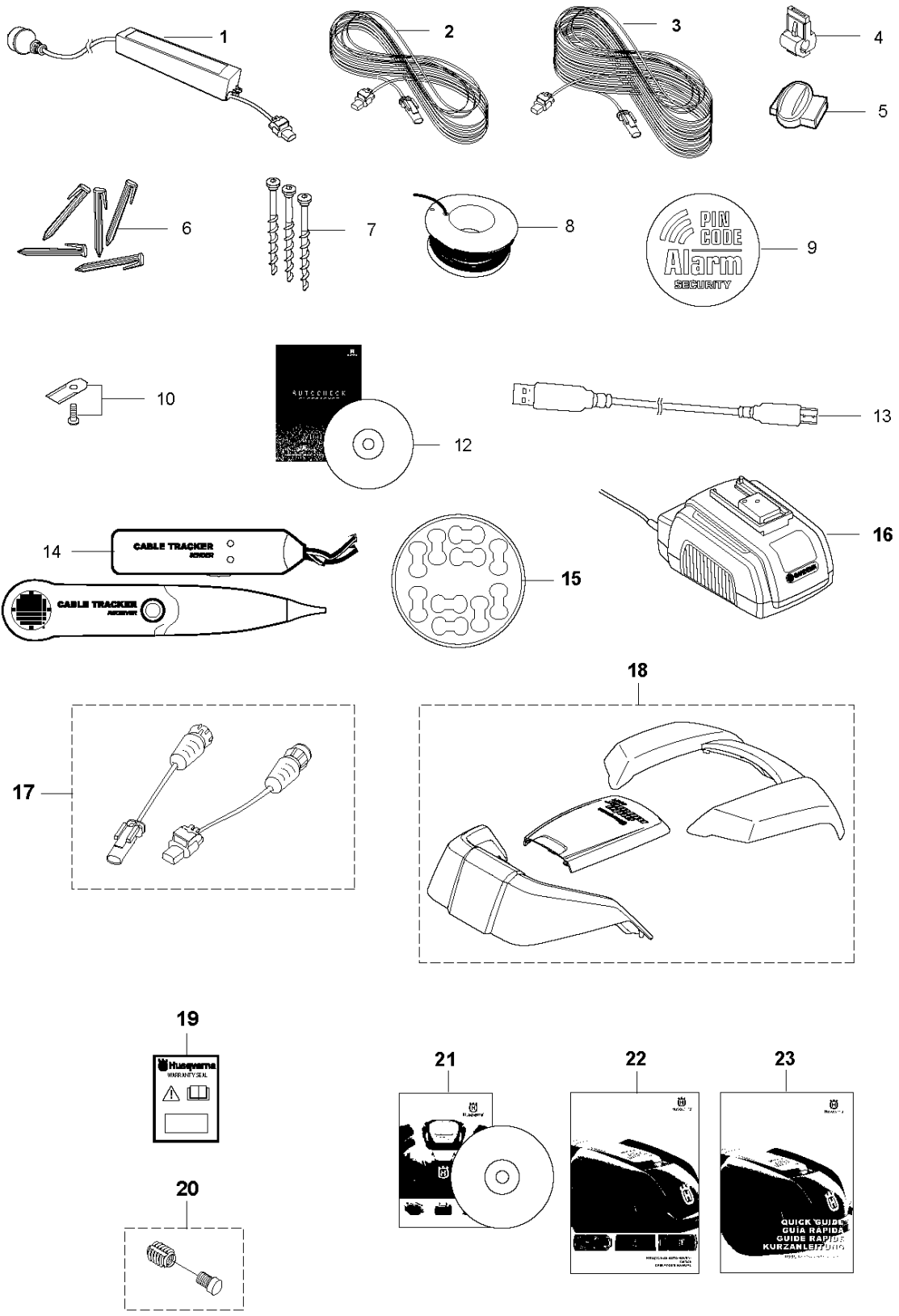


CHARGING STATION

AUTOMOWER 308, 2015-01

Ref	Part No	Description	Remark	QTY KIT
1	576 63 67-08	CHARGING STATION		1
2	535 12 87-02	DIODE LENS		1
3	575 70 84-02	CHARGING STATION		1
4	586 71 39-01	PRINTED CIRCUIT ASSY		1
5	581 22 59-02	CABLE ASSY		1
6	575 54 33-14	SCREW	grey (14mm)	2
7	587 12 51-01	CONTACT		2
8	575 54 33-14	SCREW	grey (14mm)	2
9	535 12 79-01	BRACKET		2
10	581 55 19-01	CHARGING STATION		1
11	575 54 33-14	SCREW	grey (14mm)	4
12	581 01 17-01	CHARGING STATION		1
13	575 54 33-14	SCREW	grey (14mm)	1
14	581 01 16-01	BRACKET		1
15	575 54 33-14	SCREW	grey (14mm)	4

F AUTOMOWER 308
ACCESSORIES



ACCESSORIES

AUTOMOWER 308, 2015-01

Ref	Part No	Description	Remark	QTY KIT
1	584 40 89-01	POWER UNIT	EU	1
1	581 14 51-02	POWER UNIT	UK	1
1	581 14 51-03	POWER UNIT	CH	1
1	581 14 51-05	POWER UNIT	AU-NZ	1
2	581 16 66-03	LOOM	10m	1
3	581 16 66-04	LOOM	20m	1
4	535 12 90-01	CONNECTOR		1
4	577 86 48-01	CONNECTOR	5pcs, blister pack	1
5	501 98 02-01	COUPLER	1pcs	1
5	577 86 47-01	COUPLER	5 pcs blister pack	1
5	501 98 02-03	COUPLER	100pcs	1
6	583 97 34-01	STAPLE	100pcs, 85mm	1
6	577 86 42-01	STAPLE	100pcs, 105mm, blister pack	1
7	575 23 86-02	SCREW KIT	3pcs	1
7	577 86 49-01	SCREW	3pcs, blister pack	1
8	501 98 03-02	WIRE	150m	1
8	577 86 43-01	WIRE	150m, blister pack	1
8	580 66 20-03	WIRE	200m	1
8	580 66 20-01	WIRE	250m	1
9	579 57 12-01	LABEL		1
10	577 86 46-02	BLADE SET	Blister Pack, 9pcs	1
10	577 60 65-04	BLADE SET	45pcs	1
10	577 60 66-03	BLADE SET	300pcs	1
12	577 85 81-03	DVD		1
13	577 51 81-02	CABLE		1
14	577 60 68-01	TEST EQUIPMENT	10pcs	1
15	586 27 79-01	STICKER		1
16	966 41 01-01	CHARGER		1
17	586 18 90-01	WIRING		1
18	580 96 55-01	BODY KIT		1
19	580 68 95-02	LABEL	1pcs	1
19	584 90 22-01	LABEL	10pcs	1
20	581 16 57-01	THREAD INSERT	4pcs	1
21	587 65 73-01	CD		1
22	115 70 65-01	OPERATOR'S MANUAL	Swedish	1
22	115 70 65-06	OPERATOR'S MANUAL	Danish	1
22	115 70 65-11	OPERATOR'S MANUAL	Finnish	1
22	115 70 65-21	OPERATOR'S MANUAL	Norwegian	1
22	115 70 65-26	OPERATOR'S MANUAL	English	1
22	115 70 65-31	OPERATOR'S MANUAL	French	1
22	115 70 65-32	OPERATOR'S MANUAL	CA French	1
22	115 70 65-36	OPERATOR'S MANUAL	Dutch	1
22	115 70 65-41	OPERATOR'S MANUAL	Italian	1
22	115 70 65-46	OPERATOR'S MANUAL	Spanish	1
22	115 70 65-51	OPERATOR'S MANUAL	German	1
22	115 70 65-56	OPERATOR'S MANUAL	Russian	1
22	115 70 65-58	OPERATOR'S MANUAL	Hungarian	1
22	115 70 65-59	OPERATOR'S MANUAL	Portuguese	1
22	115 70 65-61	OPERATOR'S MANUAL	Polish	1
22	115 70 65-62	OPERATOR'S MANUAL	Romanian	1
22	115 70 65-63	OPERATOR'S MANUAL	Estonian	1
22	115 70 65-64	OPERATOR'S MANUAL	Latvian	1
22	115 70 65-65	OPERATOR'S MANUAL	Lithuanian	1
22	115 70 65-68	OPERATOR'S MANUAL	Slovak	1
22	115 70 65-71	OPERATOR'S MANUAL	Greek	1
22	115 70 65-76	OPERATOR'S MANUAL	Turkish	1
22	115 70 65-81	OPERATOR'S MANUAL	Croatian	1
22	115 70 65-84	OPERATOR'S MANUAL	Slovenian	1
22	115 70 65-90	OPERATOR'S MANUAL	Czech	1
22	115 70 65-95	OPERATOR'S MANUAL	US English	1
22	115706596	TBD	US Spanish	1
23	115 59 36-10	QUICK GUIDE	Swedish, Danish, Norwegian, Finnish	1

ACCESSORIES

AUTOMOWER 308, 2015-01

Ref	Part No	Description	Remark	QTY KIT
23	115 59 36-20	QUICK GUIDE	German, French, Dutch, Slovenian	1
23	115 59 36-30	QUICK GUIDE	Spanish, Portuguese, Italian, English	1
23	115 59 36-38	QUICK GUIDE	English, Spanish, French, German	1
23	115 59 36-39	QUICK GUIDE	German, French, Italian, English	1
23	115 59 36-40	QUICK GUIDE	Russian, Estonian, Latvian, Lithuanian	1
23	115 59 36-50	QUICK GUIDE	Czech, Slovak, Polish, Hungarian	1
23	115 59 36-93	QUICK GUIDE	Croatian, Turkish, Romanian, Greek	1