

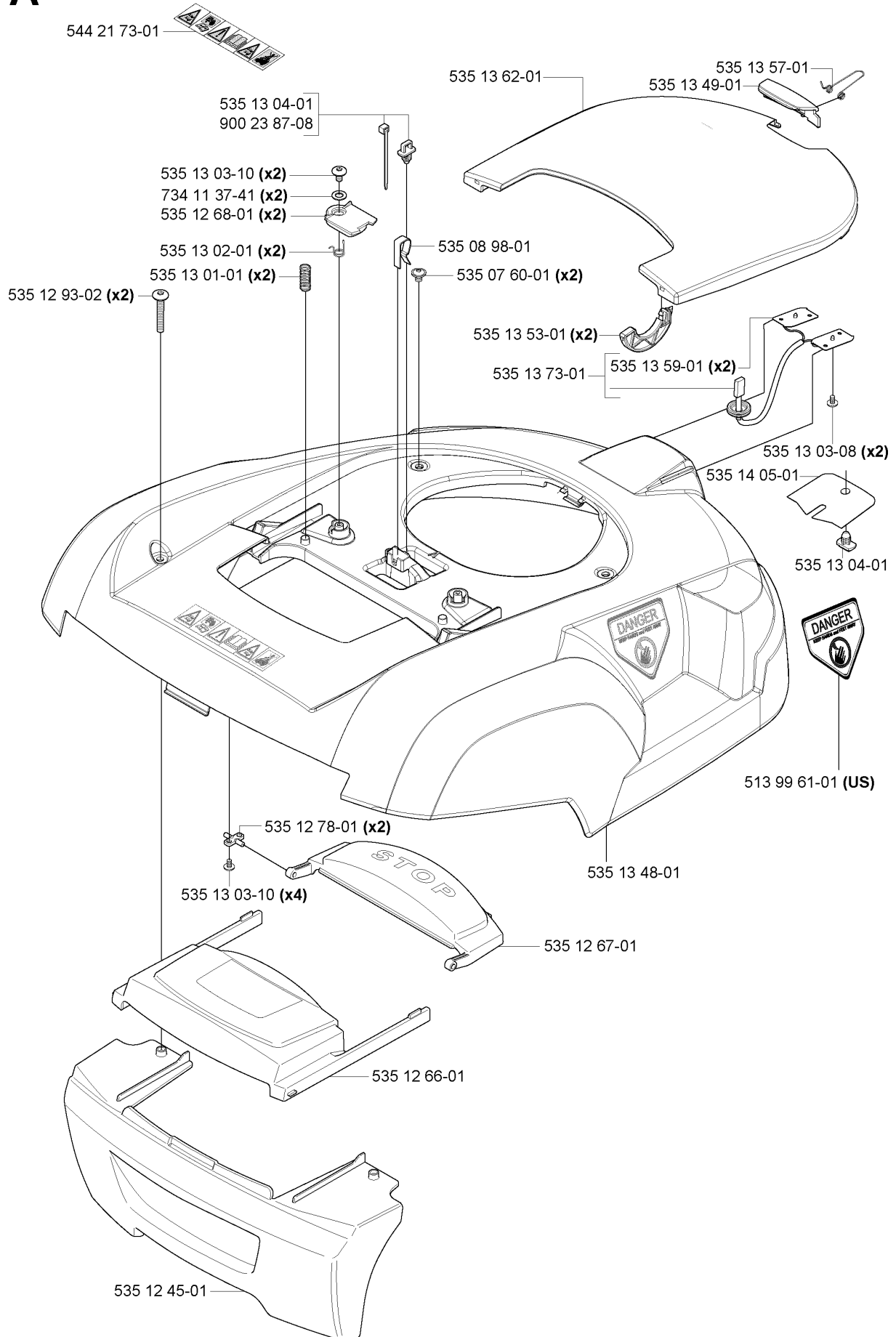


# SPARE PARTS LIST

ROBOTIC LAWN MOWERS

AUTOMOWER G2 2006 GENERATION 2  
2006-06

**A**

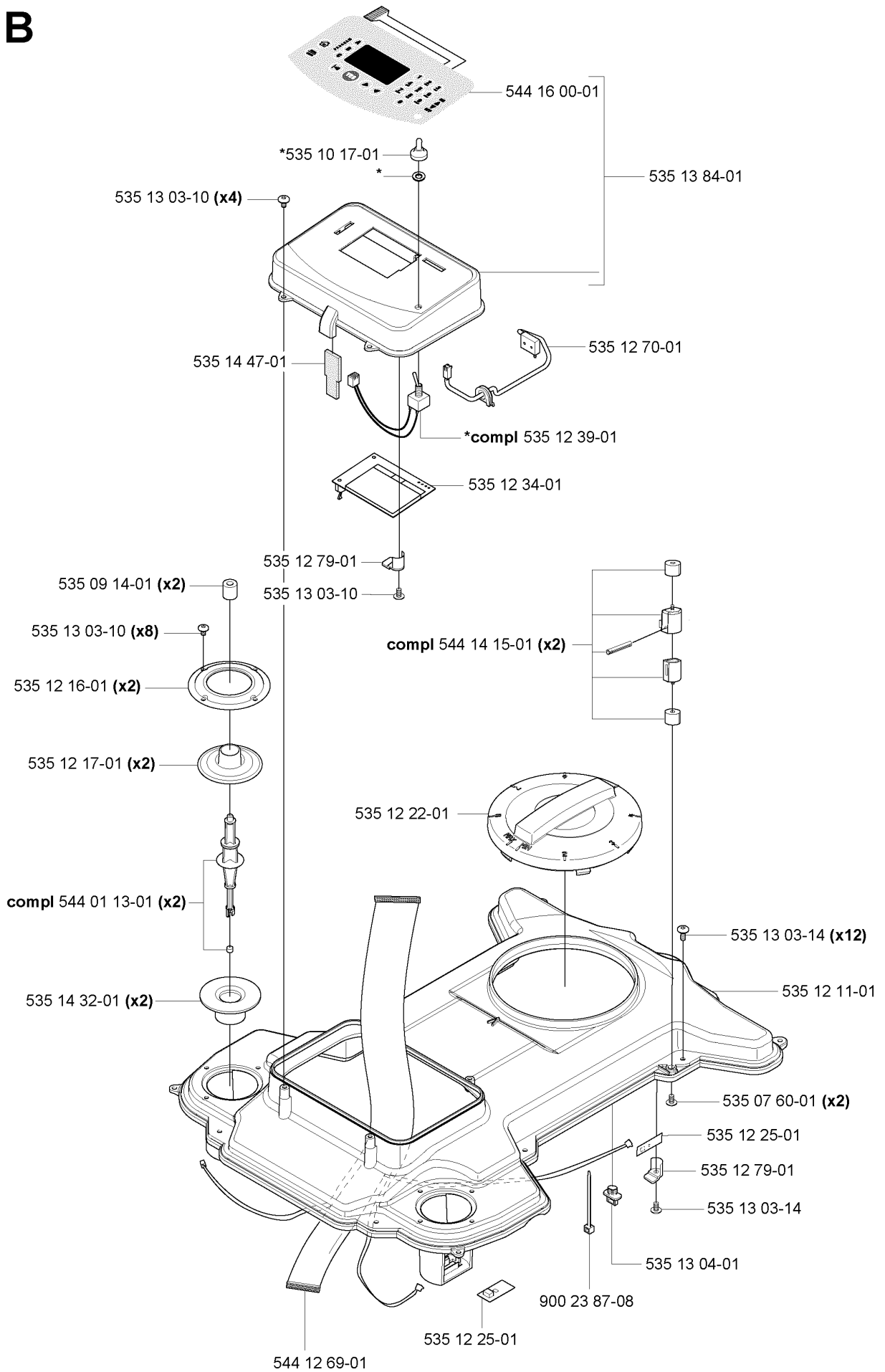


## COVER

## AUTOMOWER G2 2006 GENERATION 2 2006-06

Part No	Description	Remark	QTY KIT
513 99 61-00	DECAL	US	1
535 07 60-01	SCREW		2
535 08 98-01	CLIP		1
535 12 45-01	MAIN BODY		1
535 12 66-01	COVER		1
535 12 67-01	SWITCH		1
535 12 68-01	CLAMP		2
535 12 78-01	SHAFT		2
535 12 93-02	SCREW IHPANM		2
535 13 01-01	SPRING		2
535 13 02-01	TORSION SPRING		2
535 13 03-08	SCREW ITPANT		2
535 13 03-10	SCREW ITPANT		2
535 13 03-10	SCREW ITPANT		4
535 13 04-01	ANCHOR		1
535 13 04-01	ANCHOR		1
535 13 48-01	MAIN BODY		1
535 13 49-01	LOCK		1
535 13 53-01	PIVOT		2
535 13 57-01	TORSION SPRING		1
535 13 59-01	CHARGING PLATE		2
535 13 62-01	COVER		1
535 13 73-01	WIRING		1
535 14 05-01	PROTECTIVE WASHER		1
544 21 73-01	LABEL		1
734 11 37-41	WASHER		2
900 23 87-08	TIE WRAP		1

**B**

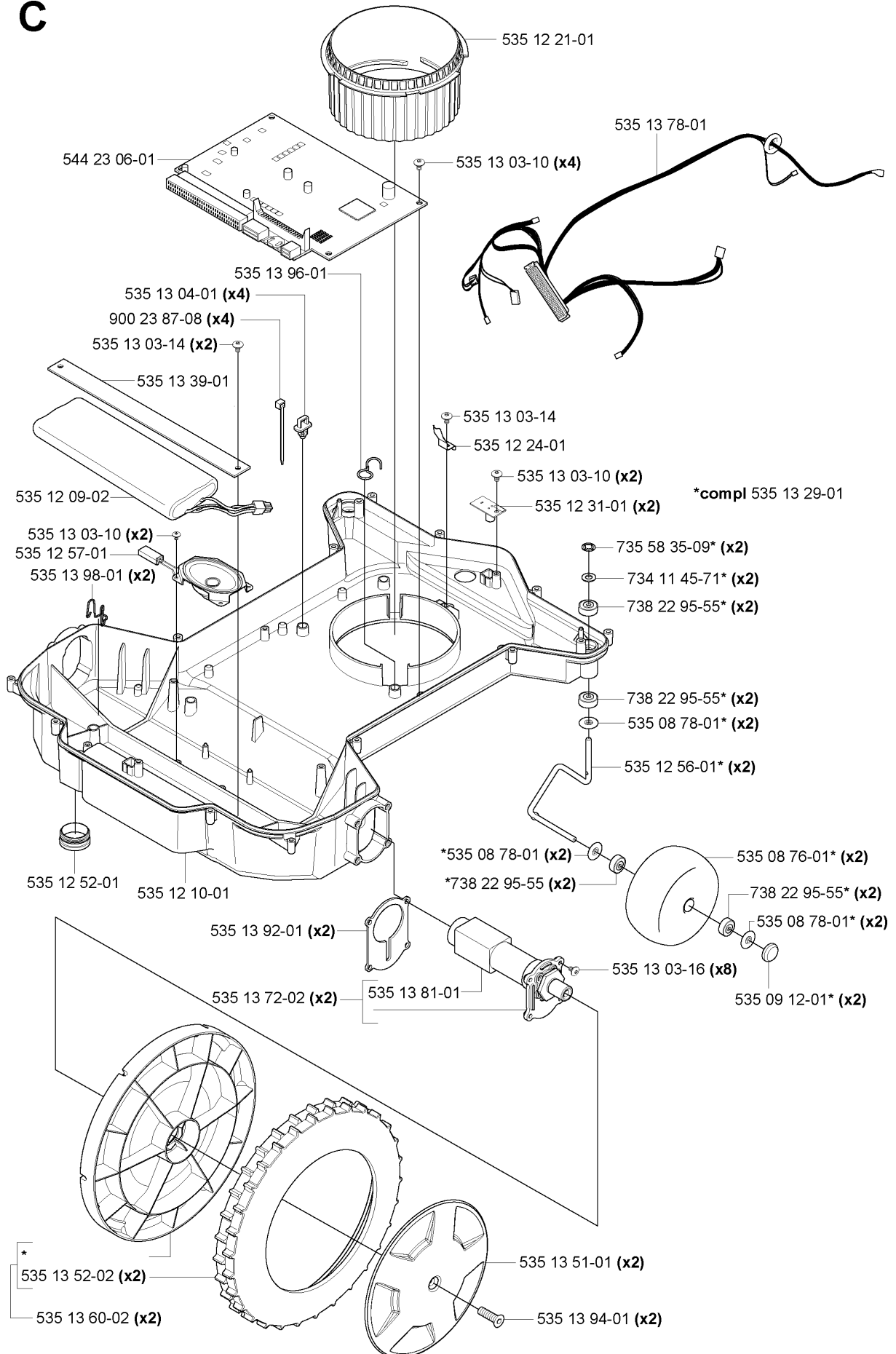


## CHASSIS UPPER

## AUTOMOWER G2 2006 GENERATION 2 2006-06

Part No	Description	Remark	QTY KIT
535 07 60-01	SCREW		2
535 09 14-01	DAMPER		2
535 10 17-01	SWITCH		1
535 12 11-01	CHASSIS		1
535 12 16-01	RING FASTENER		2
535 12 17-01	RUBBER GAITERS		2
535 12 22-01	STEERING WHEEL		1
535 12 25-01	SENSOR CARD		1
535 12 25-01	SENSOR CARD		1
535 12 34-01	DISPLAY		1
535 12 39-01	MAIN SWITCH		1
535 12 70-01	SWITCH		1
535 12 79-01	BRACKET		1
535 12 79-01	BRACKET		1
535 13 03-10	SCREW ITXPANT		8
535 13 03-10	SCREW ITXPANT		4
535 13 03-10	SCREW ITXPANT		1
535 13 03-14	SCREW ITXPANT		1
535 13 03-14	SCREW ITXPANT		12
535 13 04-01	ANCHOR		1
535 13 84-01	CONTROL PANEL		1
535 14 32-01	DEFLECTION LIMITER		2
535 14 47-01	FILTER		1
544 01 13-01	COLUMN		2
544 12 69-01	WIRING ASSY		1
544 14 15-01	SENSOR		2
544 16 00-01	KEYBOARD		1
900 23 87-08	TIE WRAP		1

**C**

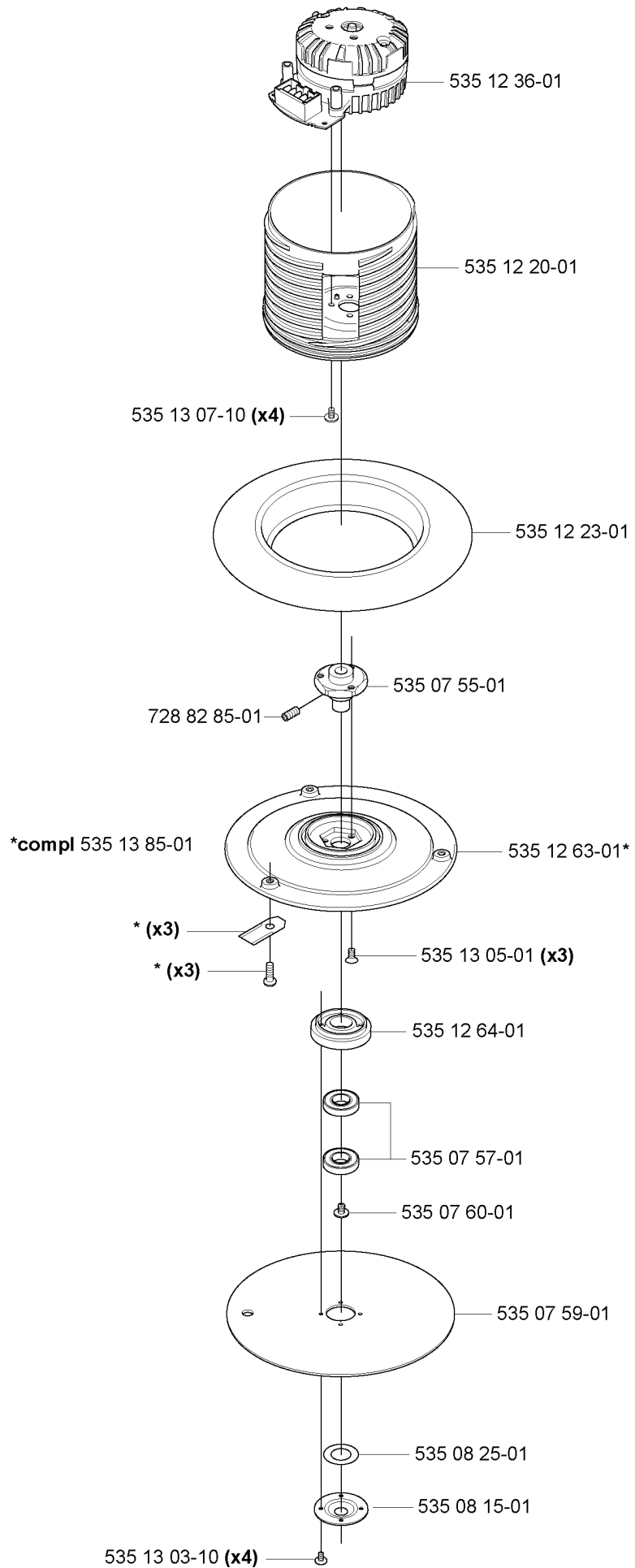


## CHASSIS LOWER

## AUTOMOWER G2 2006 GENERATION 2 2006-06

Part No	Description	Remark	QTY KIT
535 08 76-01	WHEEL		2
535 08 78-01	COVER WASHER		2
535 08 78-01	COVER WASHER		2
535 08 78-01	COVER WASHER		2
535 09 12-01	WASHER		2
535 12 09-02	BATTERY		1
535 12 10-01	CHASSIS		1
535 12 21-01	NUT		1
535 12 24-01	LOCKING SPRING		1
535 12 31-01	SENSOR CARD		2
535 12 52-01	PLUG		1
535 12 56-01	SPINDLE SHAFT		2
535 12 57-01	LOUD SPEAKER		1
535 13 03-10	SCREW ITPANT		4
535 13 03-10	SCREW ITPANT		2
535 13 03-10	SCREW ITPANT		2
535 13 03-14	SCREW ITPANT		1
535 13 03-14	SCREW ITPANT		2
535 13 03-16	SCREW ITPANT		8
535 13 04-01	ANCHOR		4
535 13 29-01	KIT		1
535 13 39-01	RETAINER		1
535 13 51-01	HUB CAP		2
535 13 52-02	TIRE		2
535 13 60-02	GEAR WHEEL		2
535 13 72-02	MOTOR		2
535 13 78-01	WIRING		1
535 13 81-01	DRIVE MOTOR		1
535 13 92-01	GASKET		2
535 13 94-01	SCREW IHCSFM		2
535 13 96-01	CABLE HOLDER		1
535 13 98-01	CABLE HOLDER		2
544 23 06-01	PRINTED CIRCUIT CARD		1
734 11 45-71	WASHER		2
735 58 35-09	WASHER		2
738 22 95-55	BALL BEARING		2
738 22 95-55	BALL BEARING		2
738 22 95-55	BALL BEARING		2
738 22 95-55	BALL BEARING		2
900 23 87-08	TIE WRAP		4

# D

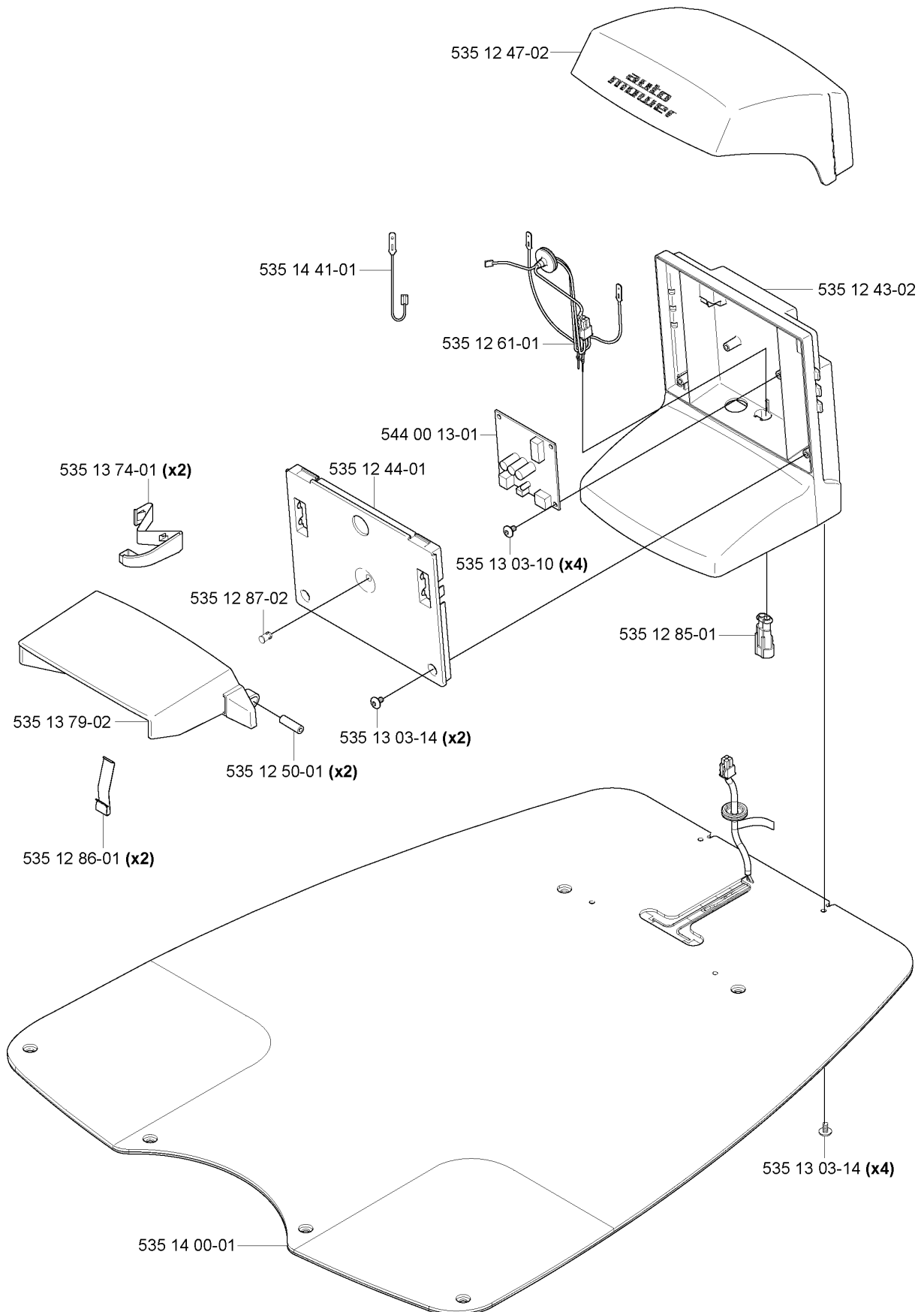


## BLADE MOTOR &amp; CUTTING EQUIPMENT

## AUTOMOWER G2 2006 GENERATION 2 2006-06

Ref	Part No	Description	Remark	QTY KIT
535 13 07-10	535 13 07-10	SCREW		4
728 82 85-01	728 82 85-01	SCREW IHSETM		1
535 13 85-01	535 13 85-01	KIT		1
535 13 03-10	535 13 03-10	SCREW ITPANT		4
535 08 15-01	535 08 15-01	COVER WASHER		1
535 08 25-01	535 08 25-01	GASKET		1
535 07 59-01	535 07 59-01	SKID PLATE		1
535 07 60-01	535 07 60-01	SCREW		1
535 07 57-01	535 07 57-01	BALL BEARING		1
535 07 57-01	593 08 08-01	BALL BEARING	Tube 50 pcs	1
535 12 64-01	535 12 64-01	HOUSING		1
535 13 05-01	535 13 05-01	SCREW		3
535 12 63-01	535 12 63-01	CUTTING DISC		1
535 07 55-01	535 07 55-01	HUB		1
535 12 23-01	535 12 23-01	RUBBER GAITERS		1
535 12 20-01	535 12 20-01	MOTOR BOWL		1
535 12 36-01	535 12 36-01	MOTOR ASSY		1

**E** compl 544 25 33-01

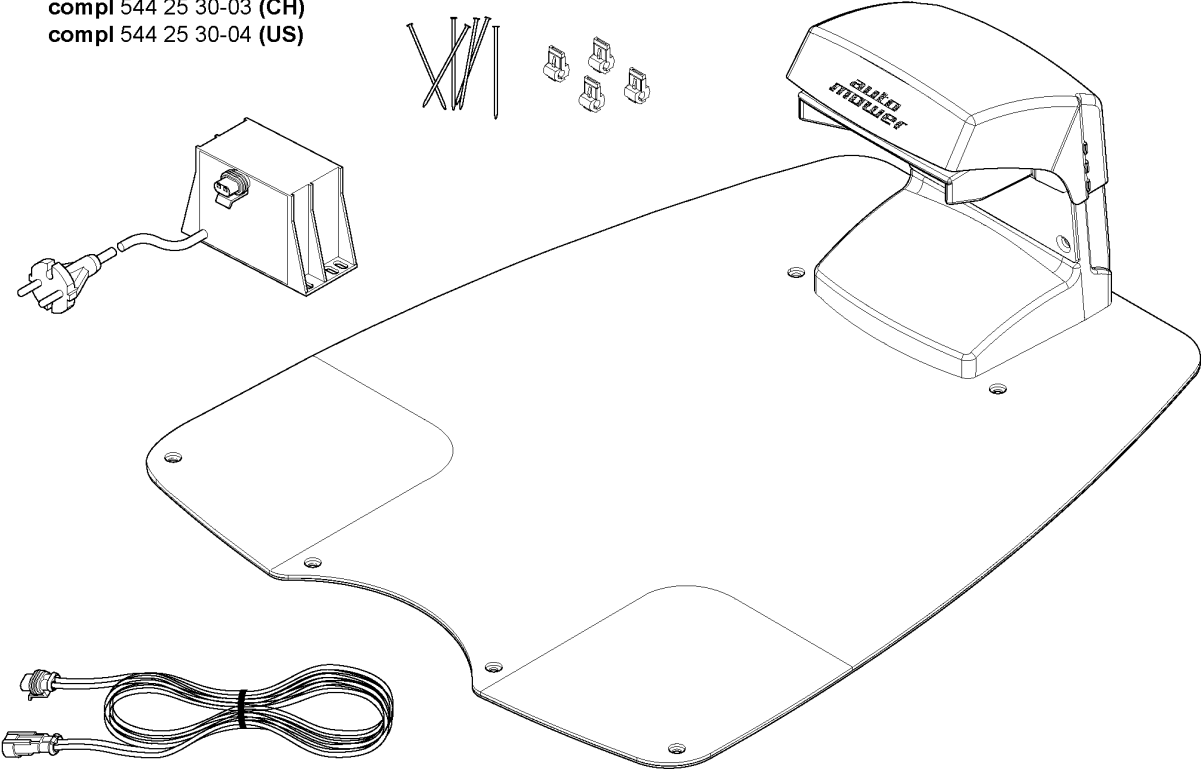


## CHARGING STATION

## AUTOMOWER G2 2006 GENERATION 2 2006-06

Part No	Description	Remark	QTY KIT
535 12 43-02	BODY		1
535 12 44-01	HUB CAP		1
535 12 47-02	COVER		1
535 12 50-01	PEN		2
535 12 61-01	WIRING		1
535 12 85-01	CONTACT HOUSING		1
535 12 86-01	SPRING PLATE		2
535 12 87-02	DIODE LENS		1
535 13 03-10	SCREW ITXPANT		4
535 13 03-14	SCREW ITXPANT		2
535 13 03-14	SCREW ITXPANT		4
535 13 74-01	CHARGING PLATE		2
535 13 79-02	RETAINER		1
535 14 00-01	FRAME PLATE		1
535 14 41-01	CABLE		1
544 00 13-01	PRINTED CIRCUIT CARD		1
544 25 33-01	CHARGING STATION		1

- F** compl 544 25 30-01 (EU)
- compl 544 25 30-02 (UK)
- compl 544 25 30-03 (CH)
- compl 544 25 30-04 (US)

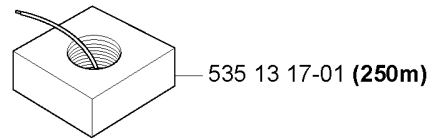
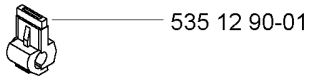
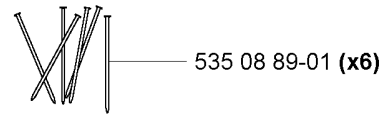
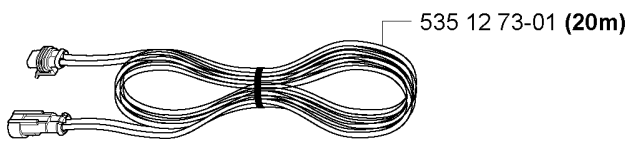
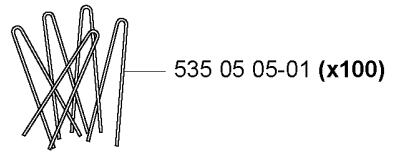
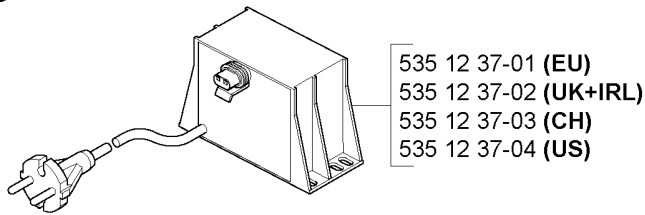


## CHARGING STATION

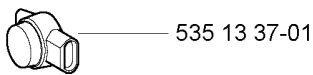
AUTOMOWER G2 2006 GENERATION 2 2006-06

Part No	Description	Remark	QTY KIT
544 25 30-01	CHARGING STATION	EU	1
544 25 30-02	CHARGING STATION	UK	1
544 25 30-03	CHARGING STATION	CH	1
544 25 30-04	CHARGING STATION	US	1

**G**



544 17 75-01



## INSTALLATION ACCESSORIES

## AUTOMOWER G2 2006 GENERATION 2 2006-06

Part No	Description	Remark	QTY KIT
535 05 05-01	STAPLE		100
535 08 89-01	STAPLE		6
535 12 37-01	POWER UNIT	EU	1
535 12 37-02	POWER UNIT	UK+IRL	1
535 12 37-03	POWER UNIT	CH	1
535 12 37-04	TRANSFORMER	US	1
535 12 73-01	CABLE	20M	1
535 12 90-01	CONNECTOR		1
535 13 16-01	LABEL		1
535 13 17-01	WIRE	250M	1
535 13 37-01	COUPLER		1
544 17 75-01	MEASURING TAPE		1

**H** Accessories  
Zubehöre  
Accessoires  
Acessorios  
Tillbehör



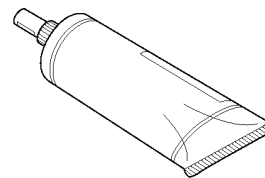
505 69 99-91



535 13 88-01 (x30)

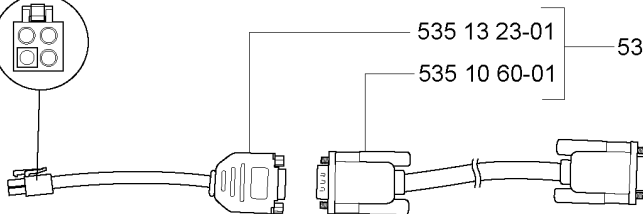
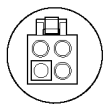
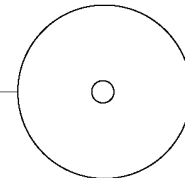


535 13 87-01 (x9)



535 14 12-01

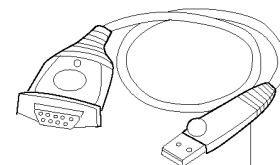
CD Autocheck 2006 535 14 27-04



535 13 23-01

535 10 60-01

535 13 24-01 Automower-PC Cable (RS-232)

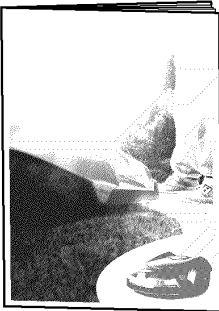
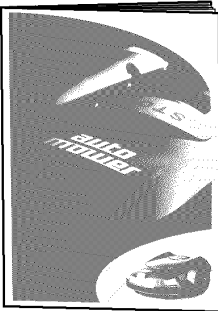
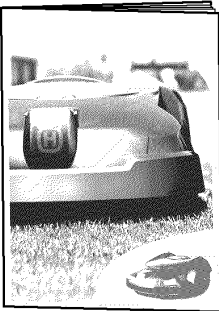


USB V-COM adapter 544 08 50-01

## ACCESSORIES

## AUTOMOWER G2 2006 GENERATION 2 2006-06

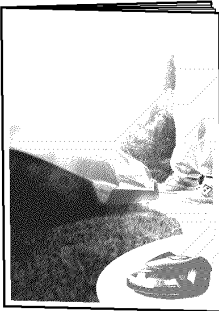
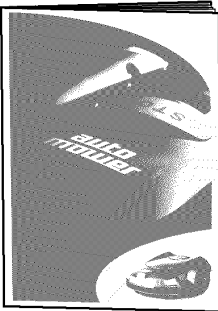
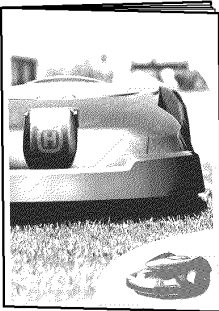
Part No	Description	Remark	QTY KIT
505 69 99-91	BAG		1
535 10 60-01	CABLE		1
535 13 23-01	WIRING		1
535 13 24-01	CABLE ASSY	AUTOMOWER-PC CABLE (RS-232)	1
535 13 87-01	BLADE		9
535 13 88-01	KIT		30
535 14 12-01	SEALING		1
535 14 27-04	DEALER CD	CD AUTOCHECK 2006	1
544 08 50-01	ADAPTER	USB V-COM ADAPTER	1

<p>I</p>  <p><b>Quick Guide 2006</b> 115 01 69-XX (US is -26)</p>	 <p><b>Technical Handbook 2006</b> 115 01 71-XX</p>	 <p><b>Owners Manual 2006</b> 115 01 70-XX</p>	<ul style="list-style-type: none"><li>-01 Svenska</li><li>-06 Dansk</li><li>-11 Soumi</li><li>-21 Norsk</li><li>-26 GB English</li><li>-31 Francais</li><li>-36 Nederlands</li><li>-41 Italiano</li><li>-46 Espanol</li><li>-51 Deutsch</li><li>-59 Portugues</li><li>-61 Polski</li><li>-90 Czech</li><li>-95 US English</li></ul>
---	---	---	---

## DOCUMENTATION

## AUTOMOWER G2 2006 GENERATION 2 2006-06

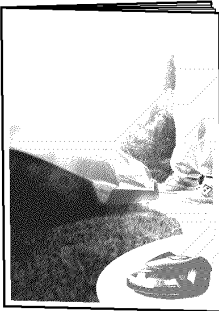
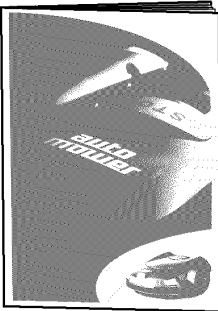
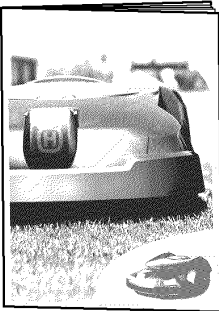
Part No	Description	Remark	QTY KIT
115 01 69-01	OPERATOR'S MANUAL	QUICK GUIDE 2006 SVENSKA	1
115 01 69-06	OPERATOR'S MANUAL	QUICK GUIDE 2006 DANSK	1
115 01 69-11	OPERATOR'S MANUAL	QUICK GUIDE 2006 SOUMI	1
115 01 69-21	OPERATOR'S MANUAL	QUICK GUIDE 2006 NORSK	1
115 01 69-26	OPERATOR'S MANUAL	QUICK GUIDE 2006 GB ENGLISH (US IS -26)	1
115 01 69-31	OPERATOR'S MANUAL	QUICK GUIDE 2006 FRANCAIS	1
115 01 69-36	OPERATOR'S MANUAL	QUICK GUIDE 2006 NEDERLANDS	1
115 01 69-41	OPERATOR'S MANUAL	QUICK GUIDE 2006 ITALIANO	1
115 01 69-46	OPERATOR'S MANUAL	QUICK GUIDE 2006 ESPANOL	1
115 01 69-51	OPERATOR'S MANUAL	QUICK GUIDE 2006 DEUTSCH	1
115 01 69-59	OPERATOR'S MANUAL	QUICK GUIDE 2006 PORTUGUES	1
115 01 69-61	OPERATOR'S MANUAL	QUICK GUIDE 2006 POLSKI	1
115 01 69-90	OPERATOR'S MANUAL	QUICK GUIDE 2006 CZECH	1
115 01 69-95	OPERATOR'S MANUAL	QUICK GUIDE 2006 US ENGLISH	1

<p>I</p>  <p><b>Quick Guide 2006</b> 115 01 69-XX (US is -26)</p>	 <p><b>Technical Handbook 2006</b> 115 01 71-XX</p>	 <p><b>Owners Manual 2006</b> 115 01 70-XX</p>	<ul style="list-style-type: none"><li>-01 Svenska</li><li>-06 Dansk</li><li>-11 Soumi</li><li>-21 Norsk</li><li>-26 GB English</li><li>-31 Francais</li><li>-36 Nederlands</li><li>-41 Italiano</li><li>-46 Espanol</li><li>-51 Deutsch</li><li>-59 Portugues</li><li>-61 Polski</li><li>-90 Czech</li><li>-95 US English</li></ul>
---	---	---	---

## DOCUMENTATION

## AUTOMOWER G2 2006 GENERATION 2 2006-06

Part No	Description	Remark	QTY KIT
115 01 71-01	TECHNICAL MANUAL	TECHNICAL HANDBOOK 2006 SVENSKA	1
115 01 71-06	TECHNICAL MANUAL	TECHNICAL HANDBOOK 2006 DANSK	1
115 01 71-11	TECHNICAL MANUAL	TECHNICAL HANDBOOK 2006 SOUMI	1
115 01 71-21	TECHNICAL MANUAL	TECHNICAL HANDBOOK 2006 NORSK	1
115 01 71-26	TECHNICAL MANUAL	TECHNICAL HANDBOOK 2006 GB ENGLISH	1
115 01 71-31	TECHNICAL MANUAL	TECHNICAL HANDBOOK 2006 FRANCAIS	1
115 01 71-36	TECHNICAL MANUAL	TECHNICAL HANDBOOK 2006 NEDERLANDS	1
115 01 71-41	TECHNICAL MANUAL	TECHNICAL HANDBOOK 2006 ITALIANO	1
115 01 71-46	TECHNICAL MANUAL	TECHNICAL HANDBOOK 2006 ESPANOL	1
115 01 71-51	TECHNICAL MANUAL	TECHNICAL HANDBOOK 2006 DEUTSCH	1
115 01 71-59	TECHNICAL MANUAL	TECHNICAL HANDBOOK 2006 PORTUGUES	1
115 01 71-61	TECHNICAL MANUAL	TECHNICAL HANDBOOK 2006 POLSKI	1
115 01 71-90	TECHNICAL MANUAL	TECHNICAL HANDBOOK 2006 CZECH	1
115 01 71-95	TECHNICAL MANUAL	TECHNICAL HANDBOOK 2006 US ENGLISH	1

<p>I</p>  <p><b>Quick Guide 2006</b> 115 01 69-XX (US is -26)</p>	 <p><b>Technical Handbook 2006</b> 115 01 71-XX</p>	 <p><b>Owners Manual 2006</b> 115 01 70-XX</p>	<ul style="list-style-type: none"><li>-01 Svenska</li><li>-06 Dansk</li><li>-11 Soumi</li><li>-21 Norsk</li><li>-26 GB English</li><li>-31 Francais</li><li>-36 Nederlands</li><li>-41 Italiano</li><li>-46 Espanol</li><li>-51 Deutsch</li><li>-59 Portugues</li><li>-61 Polski</li><li>-90 Czech</li><li>-95 US English</li></ul>
---	---	---	---

## DOCUMENTATION

## AUTOMOWER G2 2006 GENERATION 2 2006-06

Part No	Description	Remark	QTY KIT
115 01 70-01	OPERATOR'S MANUAL	OWNERS MANUAL 2006 SVENSKA	1
115 01 70-06	OPERATOR'S MANUAL	OWNERS MANUAL 2006 DANSK	1
115 01 70-11	OPERATOR'S MANUAL	OWNERS MANUAL 2006 SOUMI	1
115 01 70-21	OPERATOR'S MANUAL	OWNERS MANUAL 2006 NORSK	1
115 01 70-26	OPERATOR'S MANUAL	OWNERS MANUAL 2006 GB ENGLISH	1
115 01 70-31	OPERATOR'S MANUAL	OWNERS MANUAL 2006 FRANCAIS	1
115 01 70-36	OPERATOR'S MANUAL	OWNERS MANUAL 2006 NEDERLANDS	1
115 01 70-41	OPERATOR'S MANUAL	OWNERS MANUAL 2006 ITALIANO	1
115 01 70-46	OPERATOR'S MANUAL	OWNERS MANUAL 2006 ESPANOL	1
115 01 70-51	OPERATOR'S MANUAL	OWNERS MANUAL 2006 DEUTSCH	1
115 01 70-59	OPERATOR'S MANUAL	OWNERS MANUAL 2006 PORTUGUES	1
115 01 70-61	OPERATOR'S MANUAL	OWNERS MANUAL 2006 POLSKI	1
115 01 70-90	OPERATOR'S MANUAL	OWNERS MANUAL 2006 CZECH	1
115 01 70-95	OPERATOR'S MANUAL	OWNERS MANUAL 2006 US ENGLISH	1