



# SPARE PARTS LIST

ROBOTIC LAWN MOWERS

SOLARMOWER 2002 2002-01

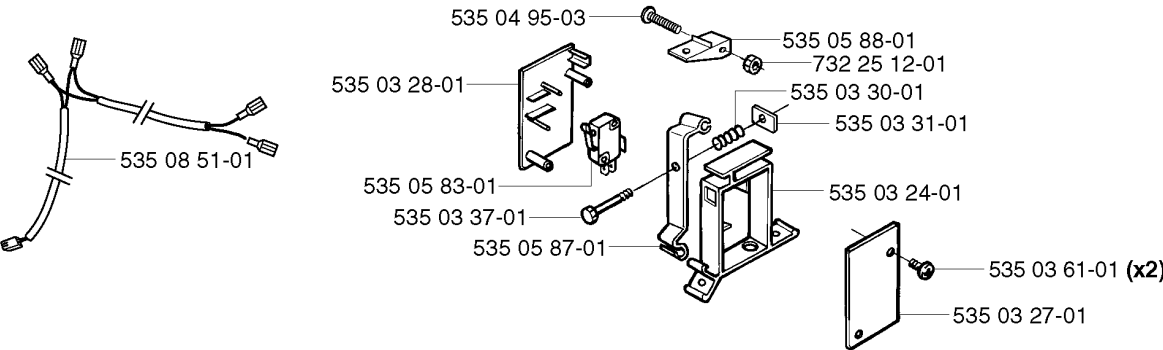


## COVER

SOLARMOWER 2002 2002-01

Part No	Description	Remark	QTY KIT
535 04 95-02	SCREW IHPANM		1
535 05 45-01	RAIL		1
535 05 47-01	SWITCH		1
535 06 65-01	TAPE		1
535 06 65-02	TAPE		1
535 06 85-01	WASHER		1
535 06 86-01	HUB CAP		1
535 07 07-01	TAPE		1
535 07 51-01	DECAL		1
535 07 65-01	DECAL		1
535 09 31-01	WASHER		1
535 09 94-01	BODY		1
535 09 95-01	BODY		1
535 10 13-01	BODY		1
722 78 22-09	BLIND RIVET		4
734 11 23-71	WASHER		4

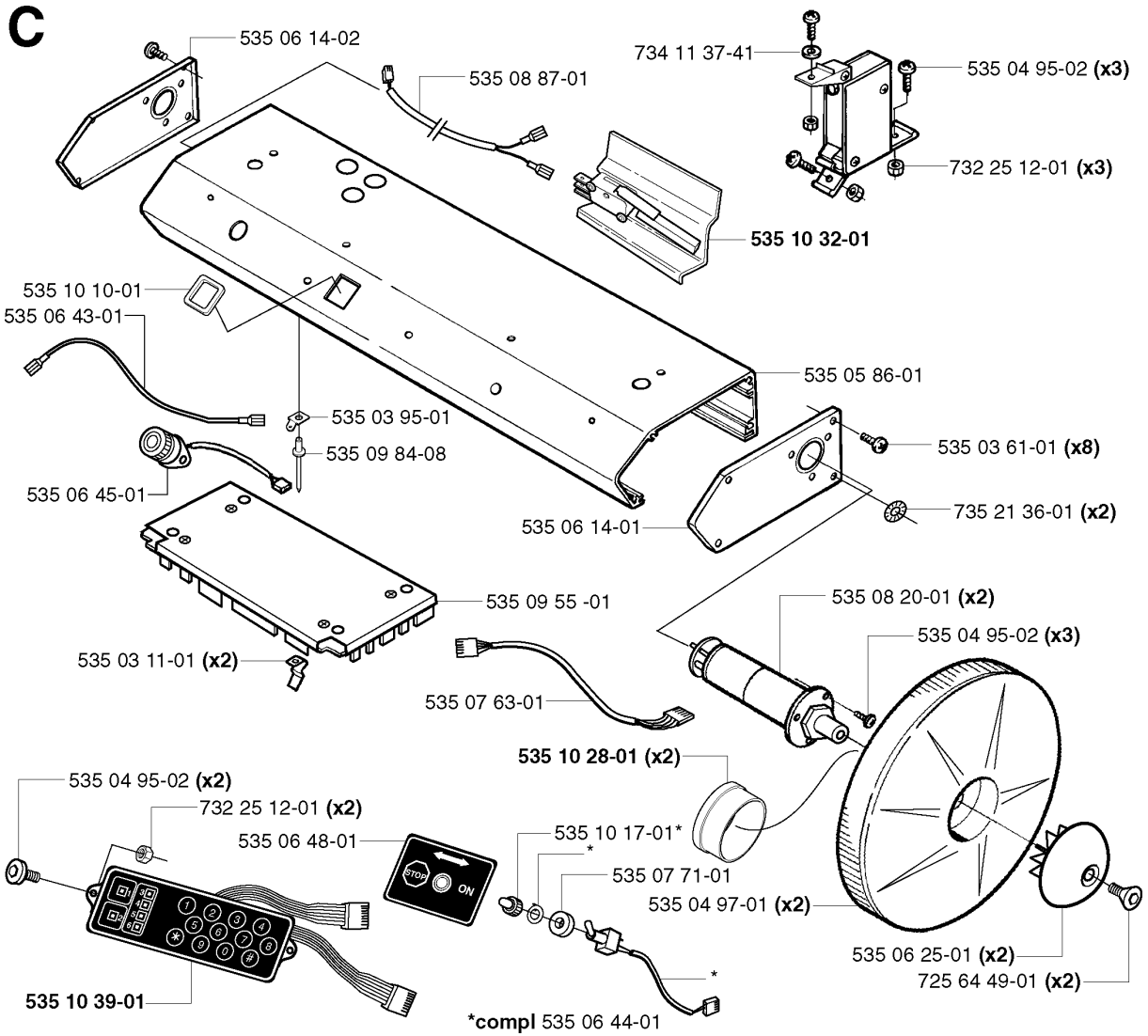
**B**



## COLLISION TOWER

SOLARMOWER 2002 2002-01

Part No	Description	Remark	QTY KIT
535 03 24-01	BRACKET		1
535 03 27-01	COVER		1
535 03 28-01	COVER		1
535 03 30-01	SPRING		1
535 03 31-01	NUT		1
535 03 37-01	SCREW		1
535 03 61-01	SCREW		2
535 04 95-03	SCREW IHPANM		1
535 05 83-01	SWITCH		1
535 05 87-01	LEVER		1
535 05 88-01	BRACKET		1
535 08 51-01	CABLE ASSY		1
732 25 12-01	HEXAGON LOCKING NUT		1

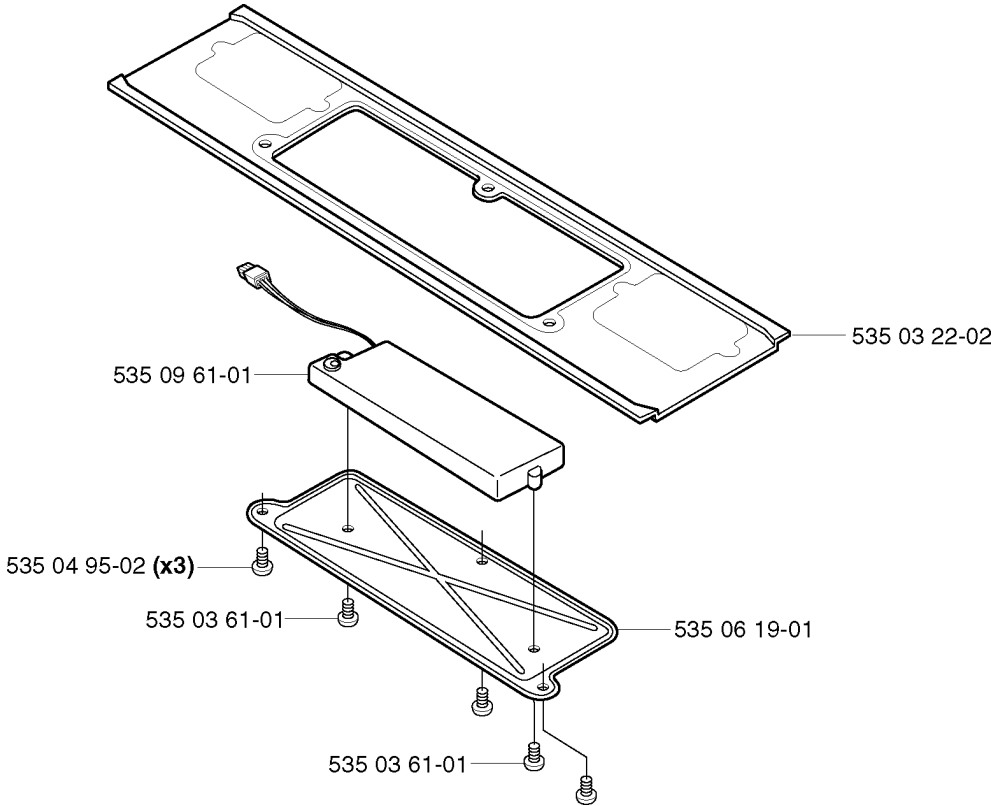


## ELECTRONIC &amp; WHEEL MOTOR HOUSING

SOLARMOWER 2002 2002-01

Part No	Description	Remark	QTY KIT
535 03 11-01	SPRING		2
535 03 61-01	SCREW		8
535 03 95-01	CLIP		1
535 04 95-02	SCREW IH PANM		2
535 04 95-02	SCREW IH PANM		3
535 04 95-02	SCREW IH PANM		3
535 04 97-01	GEAR WHEEL		2
535 05 86-01	BOX		1
535 06 14-01	END		1
535 06 14-02	END		1
535 06 25-01	WASHER		2
535 06 43-01	CABLE		1
535 06 44-01	SWITCH		1
535 06 45-01	BUZZER		1
535 06 48-01	DECAL		1
535 07 63-01	CABLE ASSY		1
535 07 71-01	WASHER		1
535 08 20-01	ENGINE	Motor w/o gearbox 535 10 66-01	2
535 08 87-01	CABLE ASSY		1
535 09 55-01	PRINTED CIRCUIT CARD		1
535 09 84-08	RIVET		1
535 10 10-01	GASKET		1
535 10 17-01	SWITCH		1
535 10 28-01	PROTECTION		2
535 10 32-01	SWITCH		1
535 10 39-01	KEYBOARD		1
725 64 49-01	SCREW IHCSFM		2
732 25 12-01	HEXAGON LOCKING NUT		3
732 25 12-01	HEXAGON LOCKING NUT		2
734 11 37-41	WASHER		1
735 21 36-01	LOCKWASHER		2

D

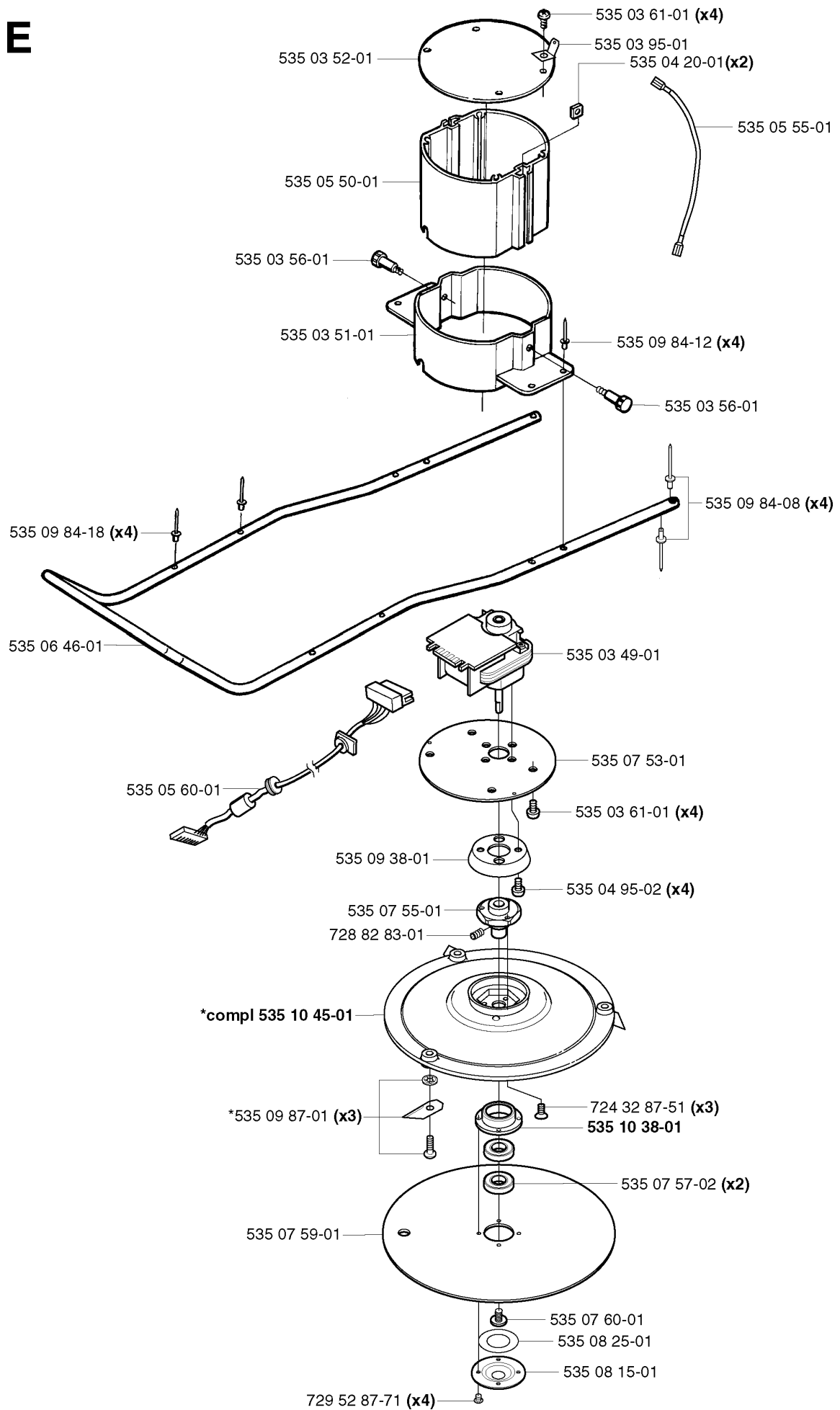


## BATTERY

SOLARMOWER 2002 2002-01

Part No	Description	Remark	QTY KIT
535 03 22-02	COVER		1
535 03 61-01	SCREW		1
535 03 61-01	SCREW		1
535 04 95-02	SCREW IHPANM		3
535 06 19-01	COVER		1
535 09 61-01	BATTERY		1

**E**

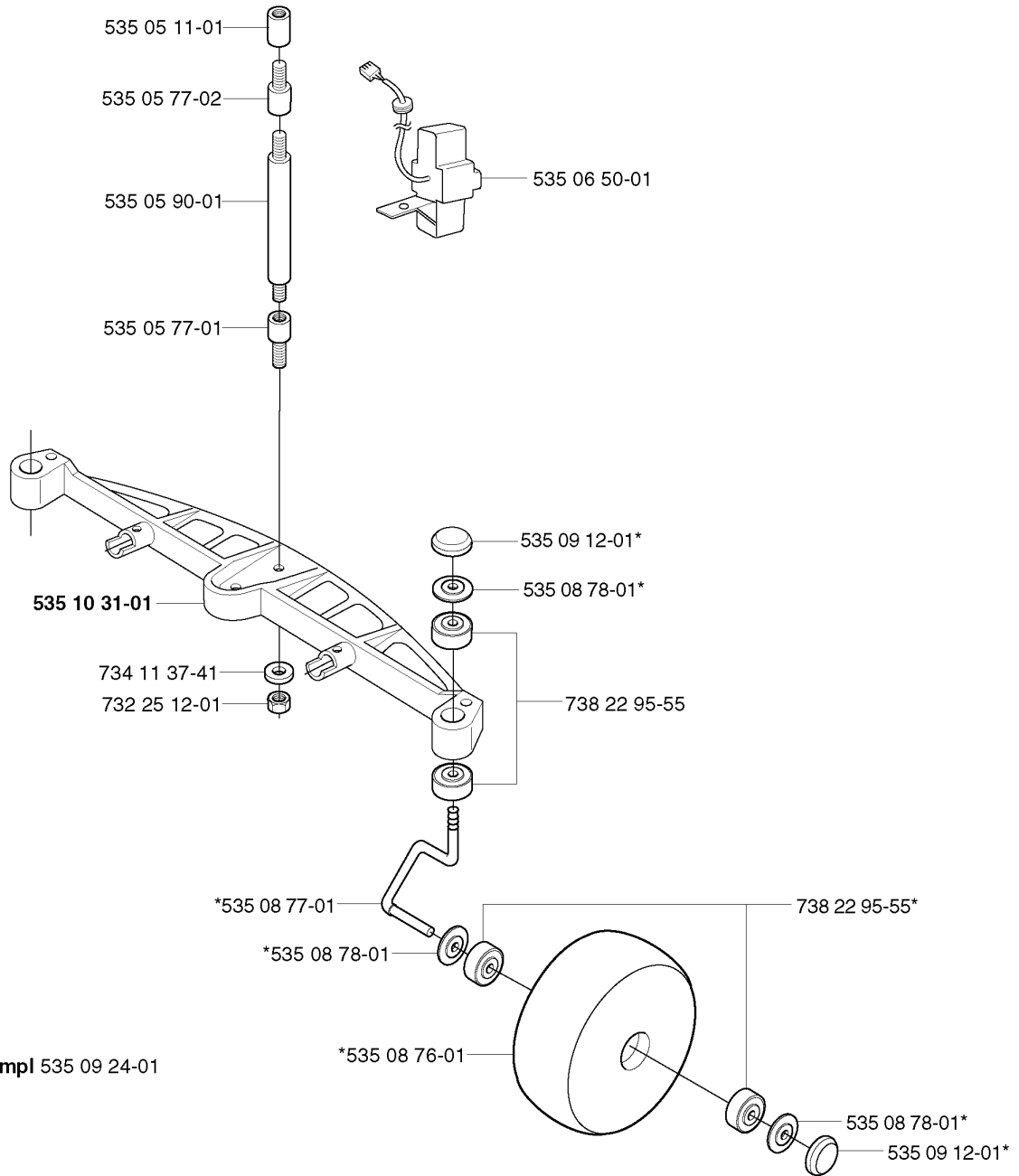


## BLADE MOTOR &amp; CUTTING EQUIPMENT

SOLARMOWER 2002 2002-01

Ref	Part No	Description	Remark	QTY KIT
535 03 52-01	535 03 52-01	COVER		1
535 05 50-01	535 05 50-01	PIPE		1
535 03 56-01	535 03 56-01	KNOB		1
535 03 51-01	535 03 51-01	PIPE		1
535 09 84-18	535 09 84-18	RIVET		4
535 06 46-01	535 06 46-01	PIPE		1
535 05 60-01	535 05 60-01	CABLE		1
535 09 38-01	535 09 38-01	PROTECTION		1
535 07 55-01	535 07 55-01	HUB		1
728 82 83-01	728 82 83-01	SCREW IHSETM		1
535 10 45-01	535 10 45-01	BLADE DISC		1
535 09 87-01	535 09 87-01	BLADE SET		3
535 07 59-01	535 07 59-01	SKID PLATE		1
729 52 87-71	729 52 87-71	SCREW CCRPANT		4
535 08 15-01	535 08 15-01	COVER WASHER		1
535 08 25-01	535 08 25-01	GASKET		1
535 07 60-01	535 07 60-01	SCREW		1
535 07 57-02	535 07 57-02	BALL BEARING		2
535 07 57-02	593 08 08-01	BALL BEARING	Tube 50 pcs	1
535 10 38-01	535 10 38-01	HOLDER		1
724 32 87-51	724 32 87-51	SCREW CRCSFM		3
535 04 95-02	535 04 95-02	SCREW IHPANM		4
535 03 61-01	535 03 61-01	SCREW		4
535 07 53-01	535 07 53-01	PLATE		1
535 03 49-01	535 03 49-01	ENGINE		1
535 09 84-08	535 09 84-08	RIVET		4
535 03 56-01	535 03 56-01	KNOB		1
535 09 84-12	535 09 84-12	RIVET		4
535 05 55-01	535 05 55-01	CABLE		1
535 04 20-01	535 04 20-01	NUT		2
535 03 95-01	535 03 95-01	CLIP		1
535 03 61-01	535 03 61-01	SCREW		4

**F**

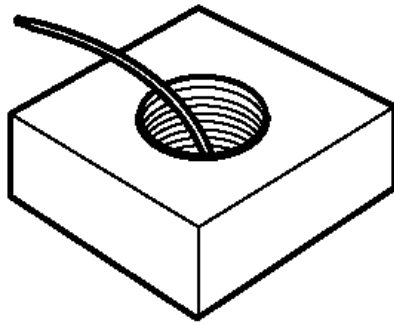


## FRONT AXLE

SOLARMOWER 2002 2002-01

Part No	Description	Remark	QTY KIT
535 05 11-01	BRACKET		1
535 05 77-01	ABSORBER		1
535 05 77-02	ABSORBER		1
535 05 90-01	BRACKET		1
535 06 50-01	SENSOR		1
535 08 76-01	WHEEL		1
535 08 77-01	SPINDLE SHAFT		1
535 08 78-01	COVER WASHER		1
535 08 78-01	COVER WASHER		1
535 08 78-01	COVER WASHER		1
535 09 12-01	WASHER		1
535 09 12-01	WASHER		1
535 09 24-01	WHEEL		1
535 10 31-01	BRACKET		1
732 25 12-01	HEXAGON LOCKING NUT		1
734 11 37-41	WASHER		1
738 22 95-55	BALL BEARING		1
738 22 95-55	BALL BEARING		1

# G



535 04 16-01



535 05 05-01



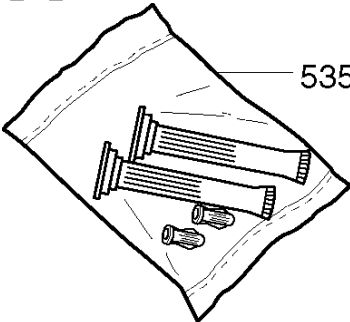
535 09 20-01

INSTALLATION ACCESSORIES

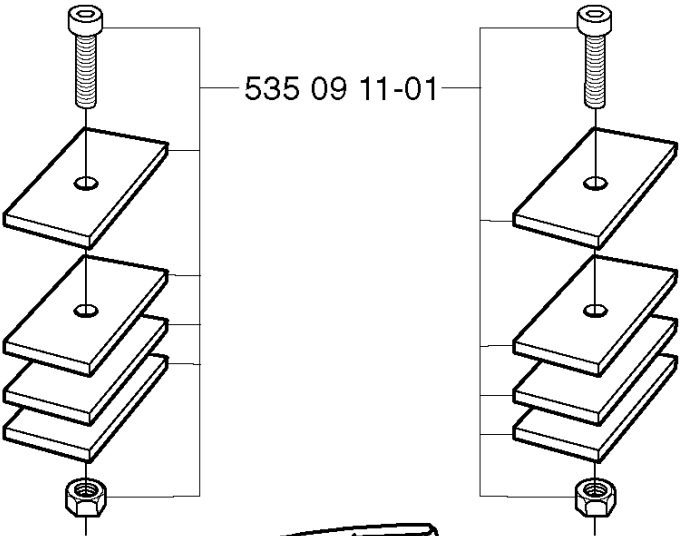
SOLARMOWER 2002 2002-01

Part No	Description	Remark	QTY KIT
535 04 16-01	WIRE		1
535 05 05-01	STAPLE		1
535 09 20-01	INSTRUCTION		1

**H**



535 04 43-01



505 69 99-90



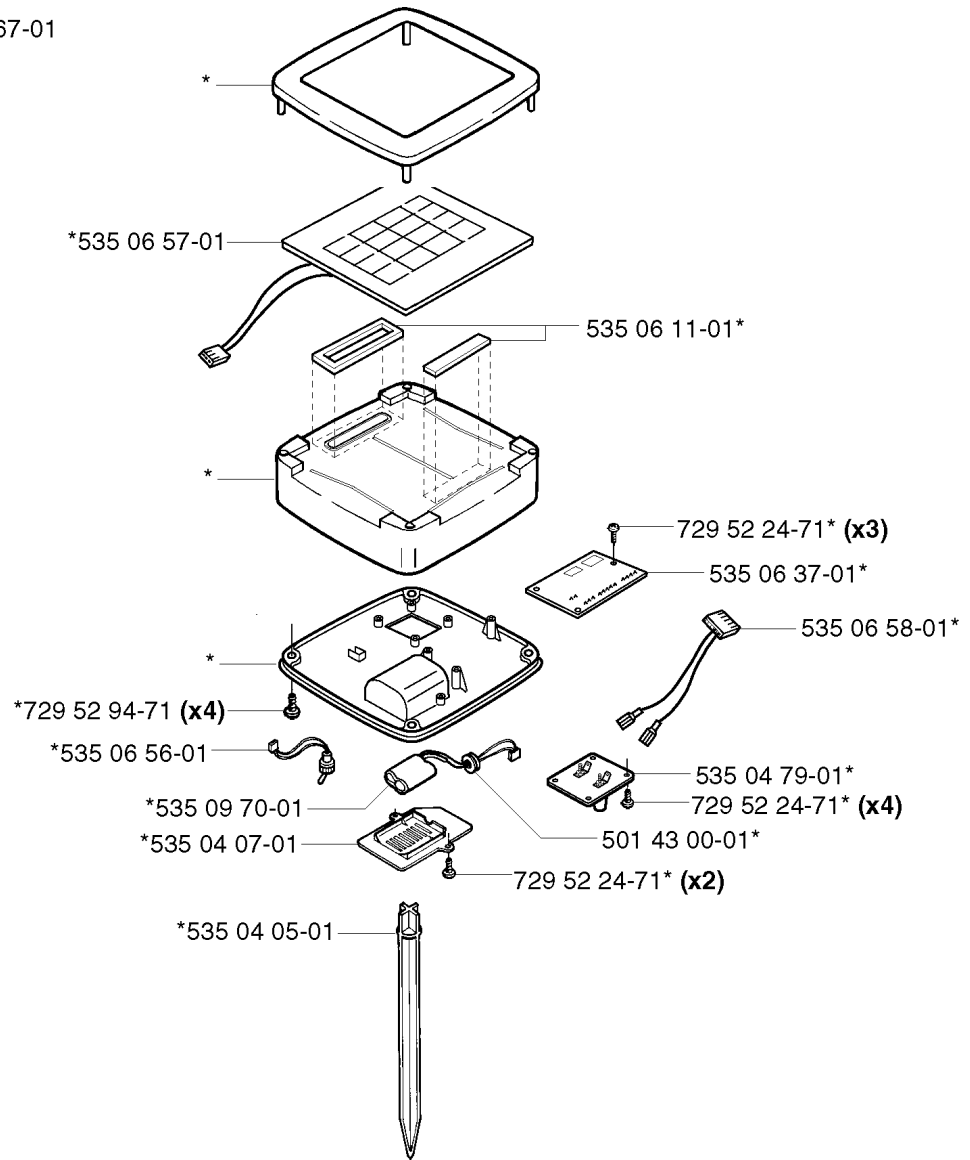
## ACCESSORIES

SOLARMOWER 2002 2002-01

Part No	Description	Remark	QTY KIT
505 69 99-90	BAG		1
535 04 43-01	ADAPTER		1
535 09 11-01	COUNTERWEIGHT		1

**J**

\*compl 535 05 67-01



## SOLAR GENERATOR

SOLARMOWER 2002 2002-01

Part No	Description	Remark	QTY KIT
501 43 00-01	CABLE GROMMET		1
535 04 05-01	BRACKET		1
535 04 07-01	COVER		1
535 04 79-01	CONNECTION		1
535 05 67-01	GENERATOR		1
535 06 11-01	GASKET		1
535 06 37-01	PRINTED CIRCUIT CARD		1
535 06 56-01	SWITCH		1
535 06 57-01	PANEL, SOLAR		1
535 06 58-01	CABLE		1
535 09 70-01	BATTERY		1
729 52 24-71	SCREW CRPANT		2
729 52 24-71	SCREW CRPANT		3
729 52 24-71	SCREW CRPANT		4
729 52 94-71	SCREW CRPANT		4