

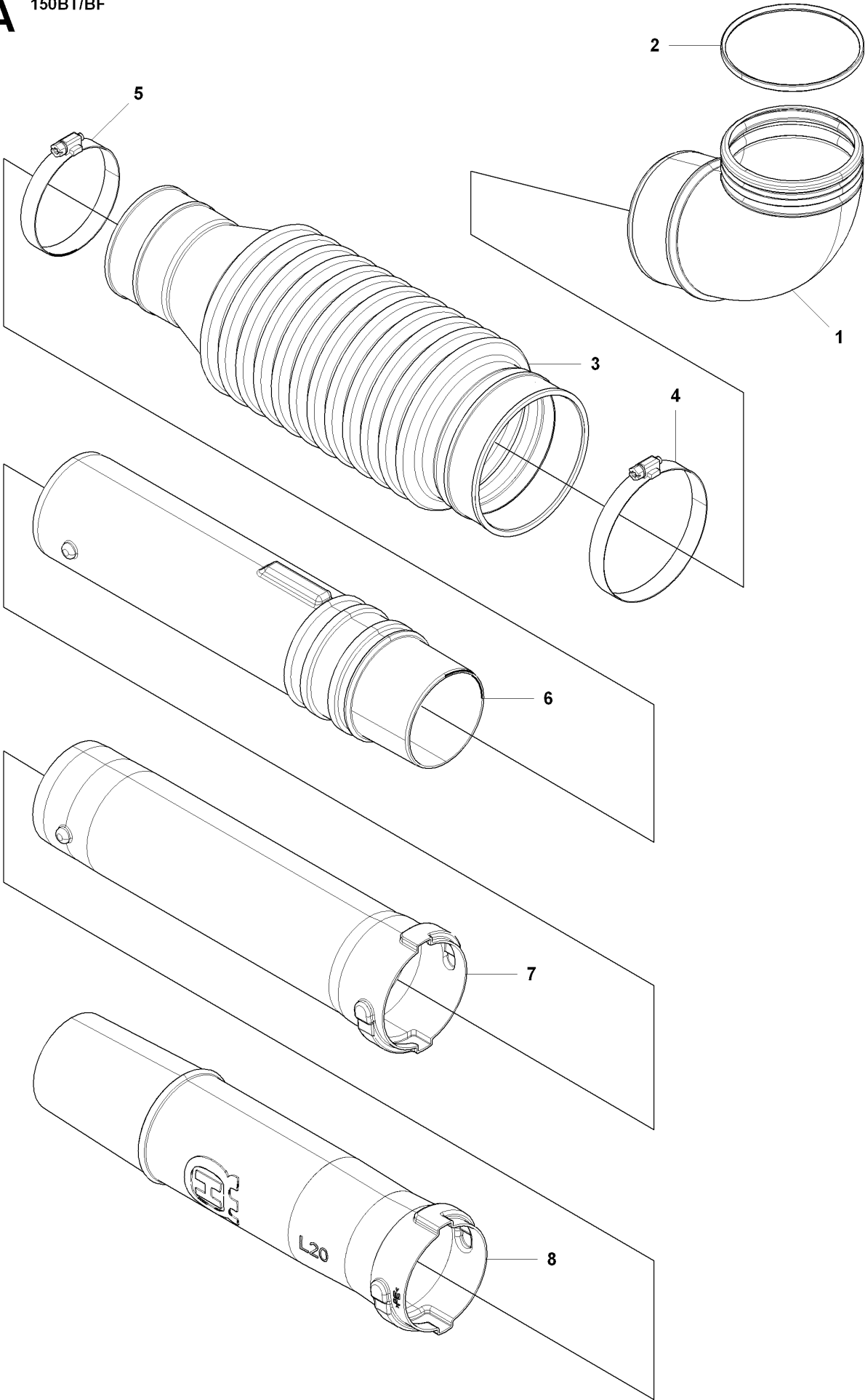


SPARE PARTS LIST

BLOWERS

150 BF, 20084000001-Current

A 150BT/BF

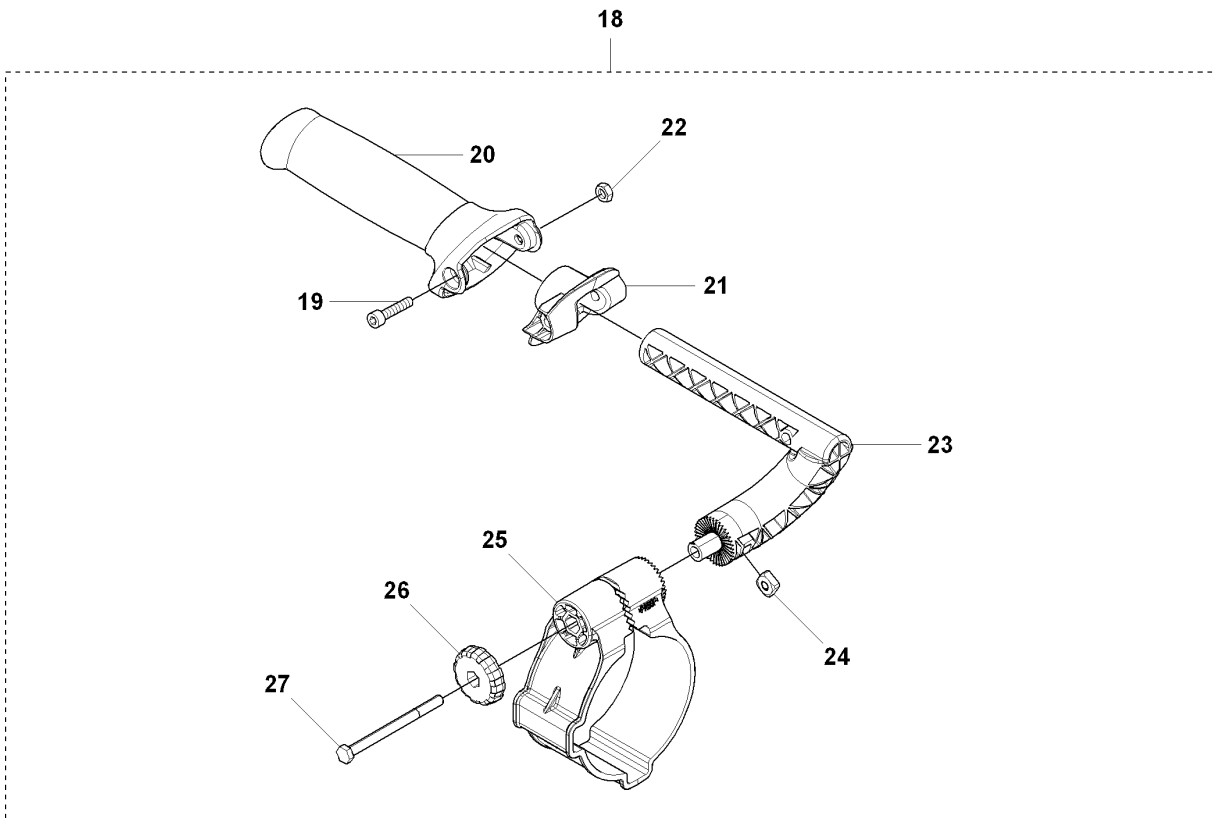
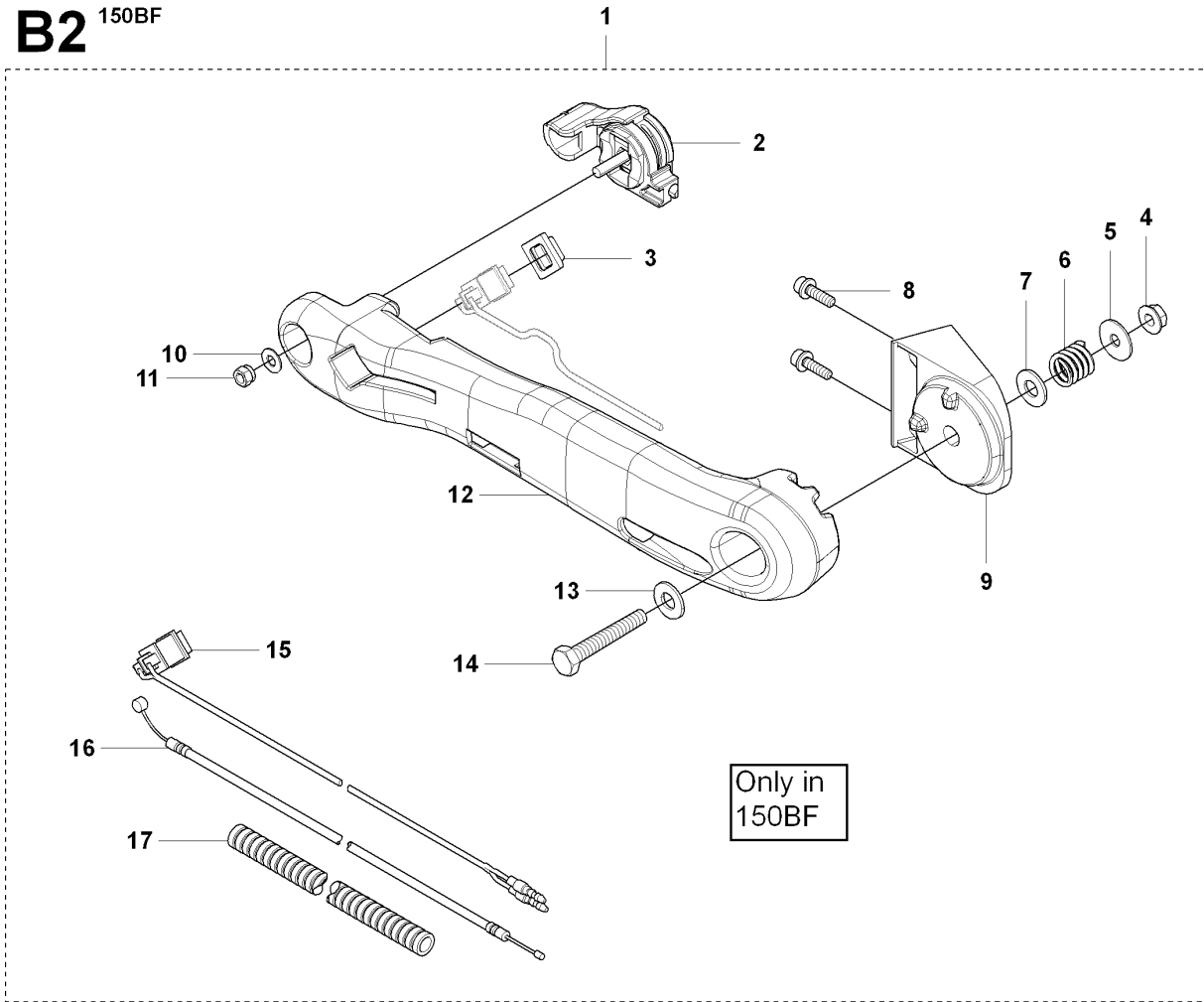


TUBE

150 BF, 20084000001-Current

Ref	Part No	Description	Remark	QTY KIT
1	502 84 25-01	PIPE BEND		1
2	544 26 45-01	O-RING		1
3	502 84 26-01	BELLOWS		1
4	544 27 41-01	CLAMP		1
5	504 06 49-01	CLAMP		1
6	504 06 48-01	PIPE		1
7	504 06 47-01	TUBE		2
8	504 06 46-01	TUBE		1

B2 150BF

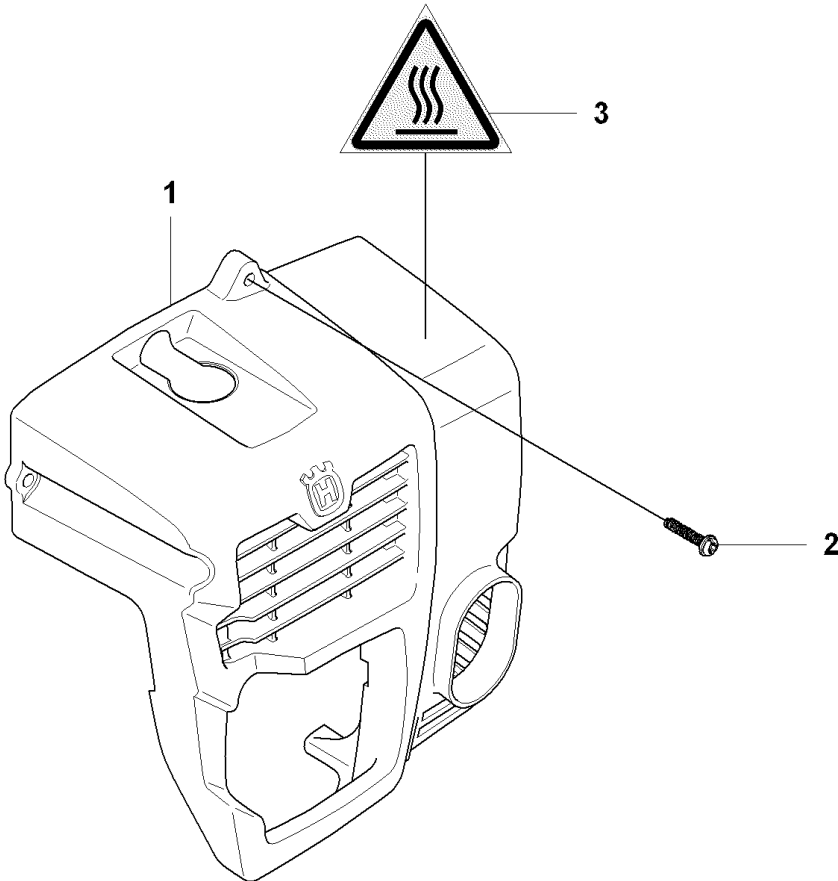


HANDLE & CONTROLS

150 BF, 20084000001-Current

Ref	Part No	Description	Remark	QTY KIT
1	502 84 29-01	HANDLE ASSY		1
2	544 27 63-01	LEVER		1
3	544 27 74-01	HUB CAP		1
4	544 27 71-01	NUT		1
5	544 27 70-01	WASHER		1
6	544 27 69-01	SPRING		1
7	544 27 72-01	WASHER		1
8	544 36 58-01	SCREW		2
9	544 27 67-01	BRACKET		1
10	544 27 65-01	WASHER		1
11	544 27 64-01	NUT		1
12	544 27 66-01	ARM		1
13	544 27 72-01	WASHER		1
14	544 27 68-01	BOLT		1
15	504 55 46-01	SWITCH		1
16	544 27 75-01	CABLE		1
17	544 27 76-01	TUBE		1
18	504 55 47-01	GRIP		1
19	503 20 07-45	SCREW IHSCFM		1
20	537 17 28-01	HANDLE		1
21	537 17 29-01	COVER		1
22	731 23 14-01	HEXAGON NUT		1
23	537 26 02-01	STAY		1
24	503 22 65-04	SQUARE NUT		1
25	544 27 59-02	HOLDER		1
26	502 20 40-01	KNOB		1
27	725 23 44-51	SCREW EHHM		1

C 150BT/BF

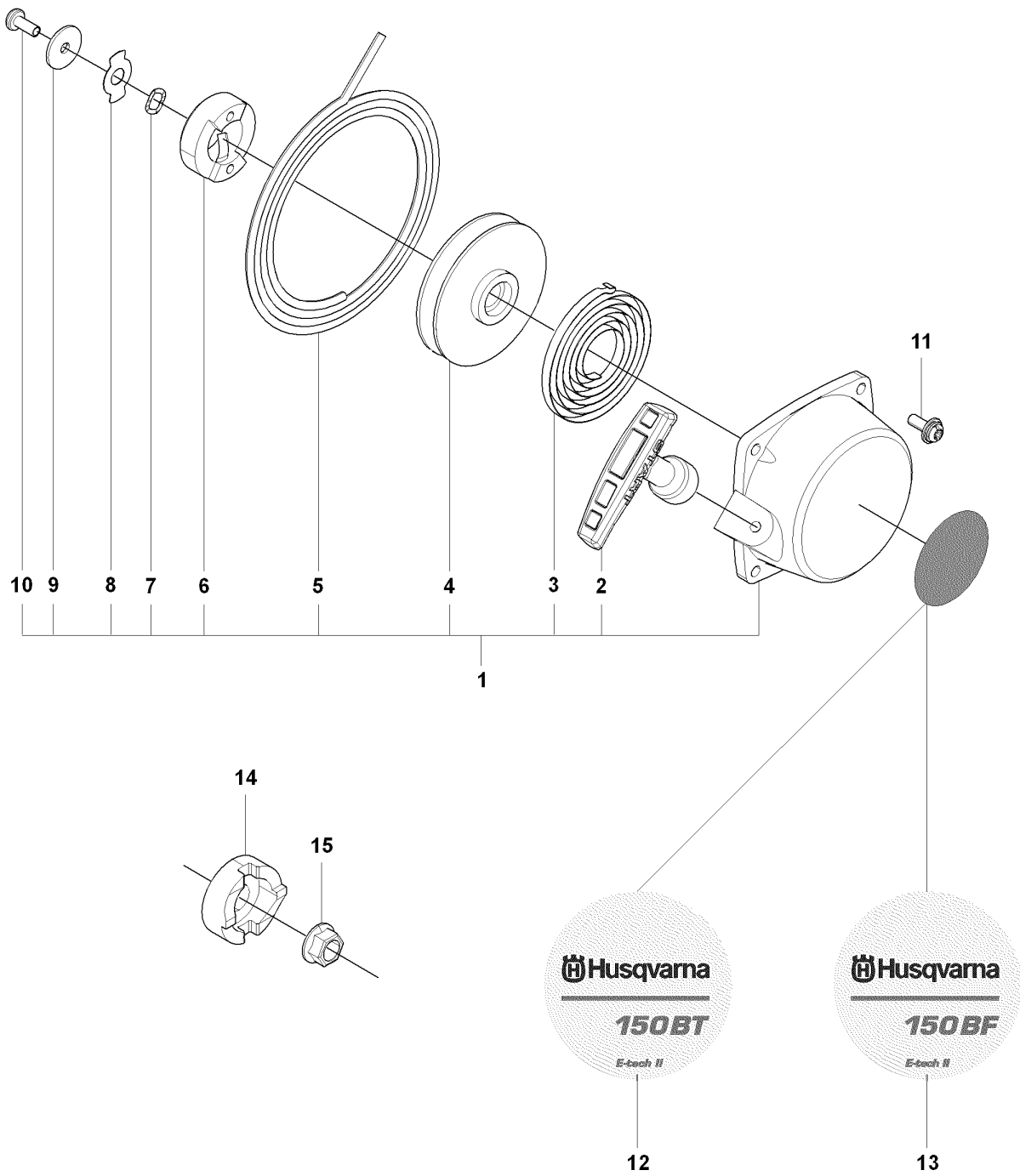


CYLINDER COVER

150 BF, 20084000001-Current

Ref	Part No	Description	Remark	QTY KIT
1	502 84 30-01	CYLINDER COVER		1
2	544 26 36-01	SCREW		4
3	544 36 34-01	LABEL		1

D 150BT/BF

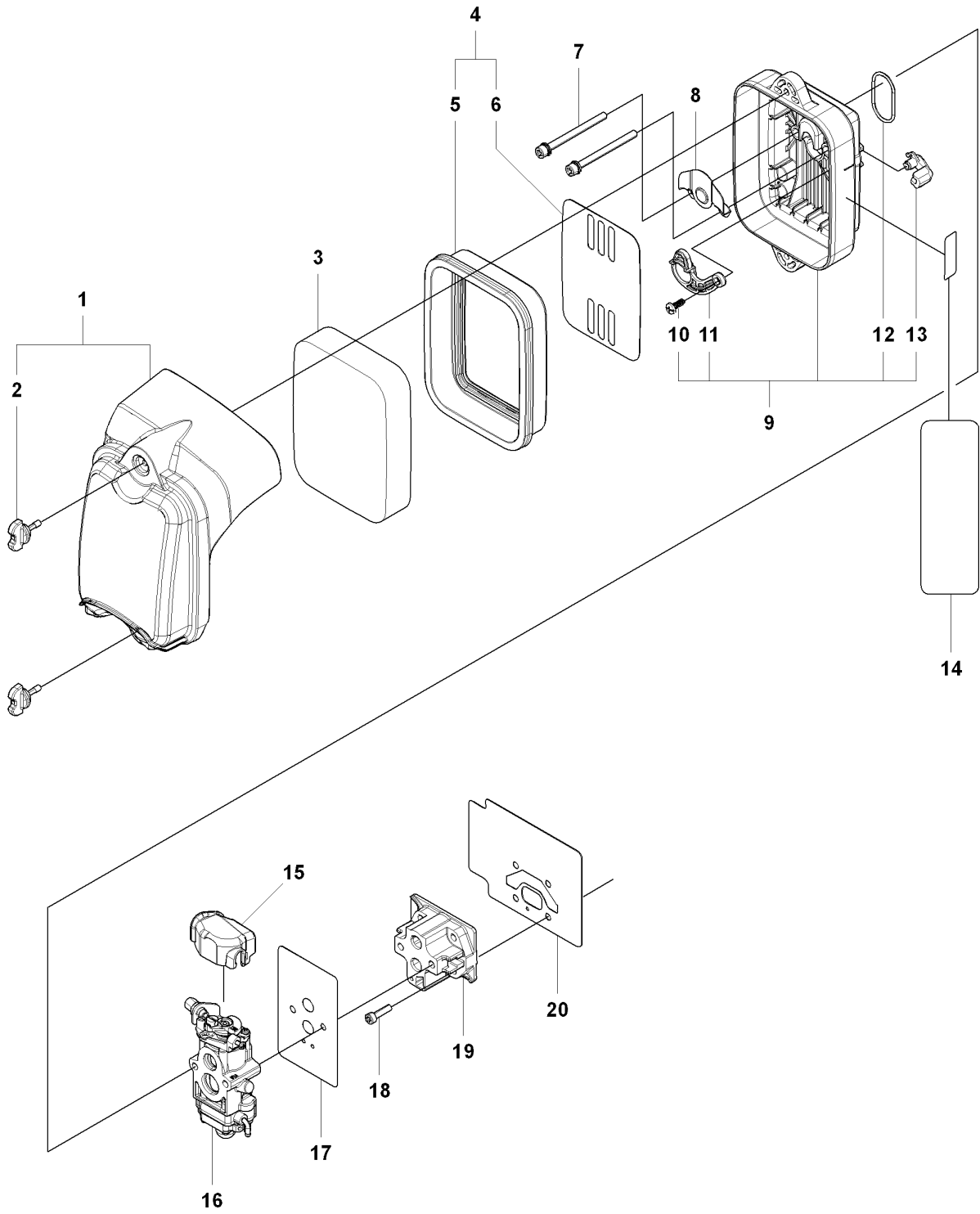


STARTER

150 BF, 20084000001-Current

Ref	Part No	Description	Remark	QTY KIT
1	502 84 31-01	STARTER ASSY		1
2	502 84 32-01	KNOB		1
3	502 84 33-01	SPRING		1
4	502 84 34-01	STARTER PULLEY		1
5	502 84 35-01	CORD		1
6	504 55 48-01	STARTER PAWL		1
7	502 84 36-01	WASHER		1
8	504 55 49-01	RETAINER		1
9	502 84 37-01	WASHER		1
10	502 84 38-01	SCREW		1
11	502 84 39-01	SCREW		4
12A	502 84 40-01	DECAL		1
12B	502 84 41-01	DECAL		1
13	504 55 50-01	PULLEY		1
14	544 25 99-01	NUT		1

E 150BT/BF

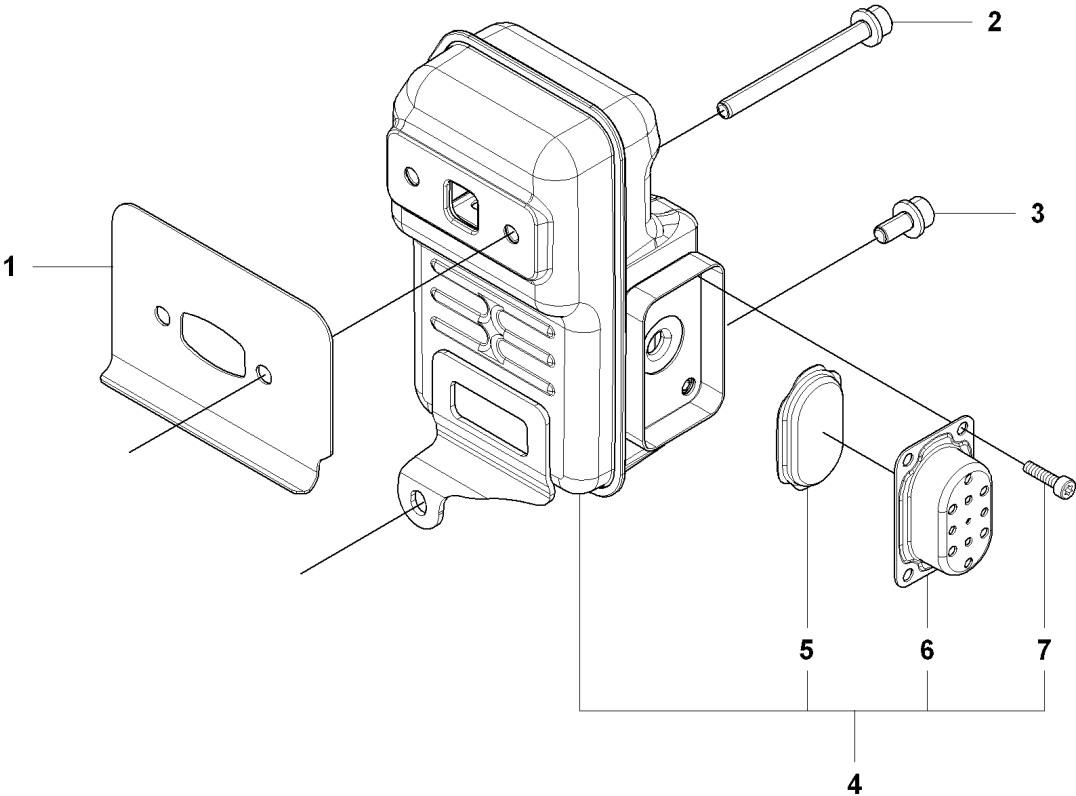


CARBURETOR & AIR FILTER

150 BF, 20084000001-Current

Ref	Part No	Description	Remark	QTY KIT
1	502 84 42-01	COVER		1
2	502 84 43-01	KNOB		2
3	502 84 44-01	AIR FILTER		1
4	502 84 45-01	GASKET		1
7	502 84 46-01	SCREW		2
8	502 84 47-01	PLATE		1
9	502 84 49-01	CARBURETTOR BODY		1
14	544 36 34-01	LABEL		1
15	544 26 38-01	COVER		1
16	502 84 50-01	CARBURETTOR		1
17	502 84 53-01	GASKET		1
18	544 25 70-01	BOLT		4
19	502 84 54-01	INSULATION		1
20	504 84 55-01	THROTTLE ROD		1

F 150BT/BF

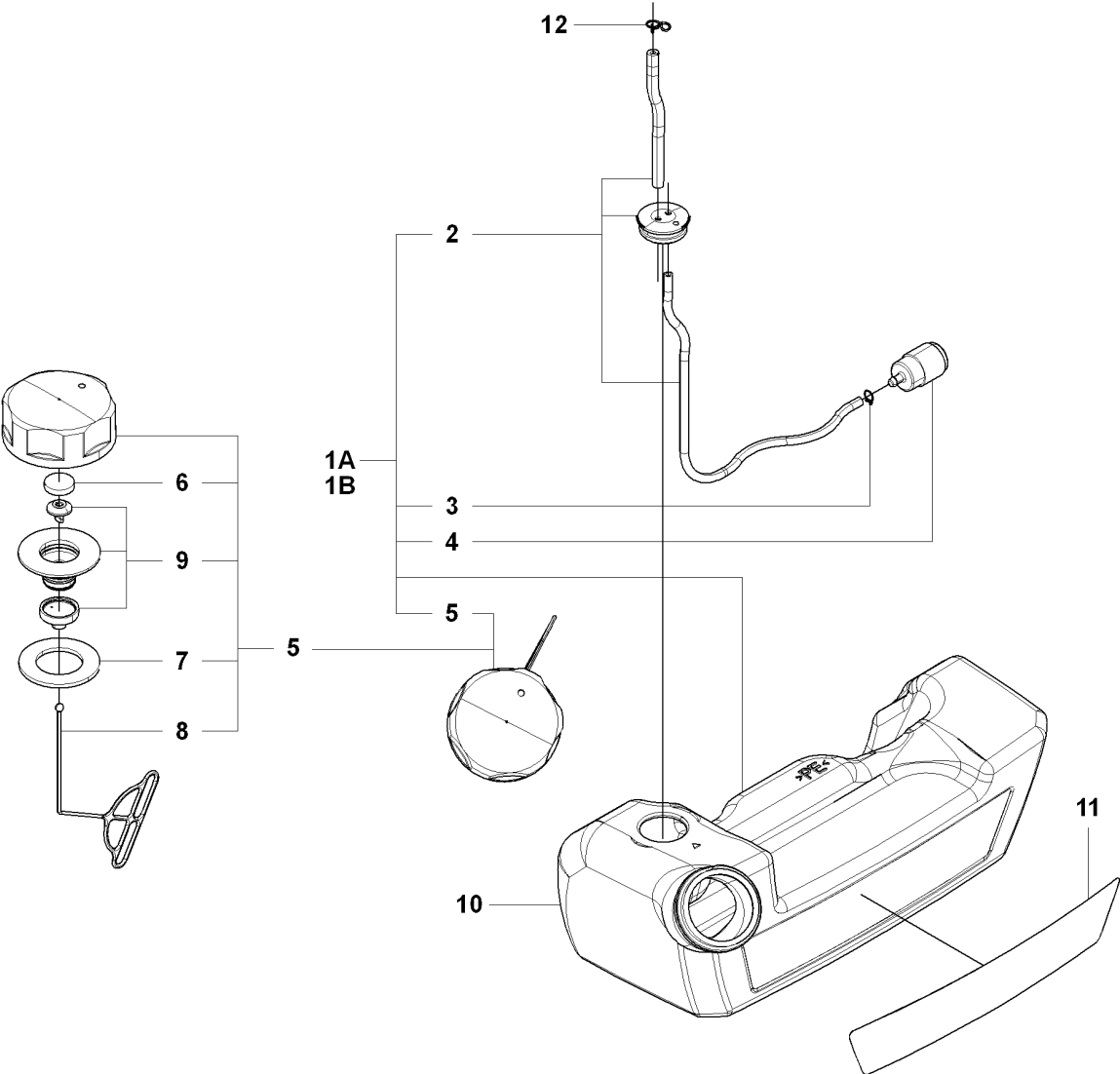


MUFFLER

150 BF, 20084000001-Current

Ref	Part No	Description	Remark	QTY KIT
1	502 84 56-01	GASKET		1
2	544 25 79-01	BOLT		2
3	544 25 80-01	BOLT		1
4	502 84 57-01	MUFFLER ASSY		1
5	502 84 58-01	SPARK ARRESTER SCREEN		1
6	502 84 59-01	EXHAUST DUCT		1
7	544 36 27-01	BOLT		4

G 150BT/BF

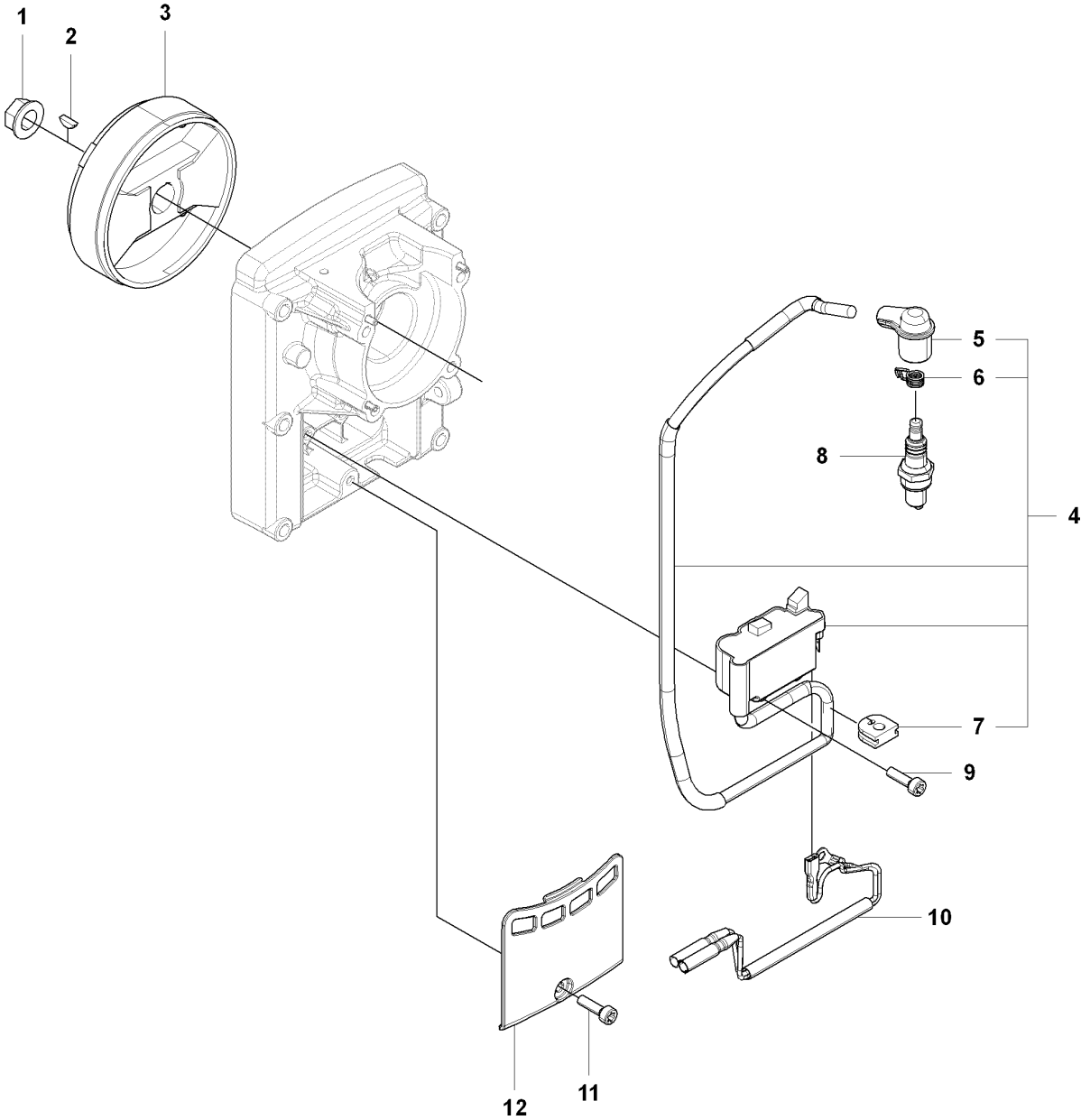


FUEL TANK

150 BF, 20084000001-Current

Ref	Part No	Description	Remark	QTY KIT
1A	502 84 60-01	TANK ASSY		1
1B	502 84 61-01	TANK ASSY.EVP		1
2	544 27 28-01	FUEL HOSE		1
3	544 27 30-01	CLIP		1
4	544 27 29-01	FILTER		1
5	504 11 77-01	TANK CAP ASSY		1
6	544 27 26-01	FILTER		1
7	544 27 25-01	PACKING		1
8	504 11 79-01	HOLDER		1
9	544 27 24-01	HOLDER		1
11	502 84 62-01	DECAL		1
12	544 27 32-01	CLIP		1

H 150BT/BF

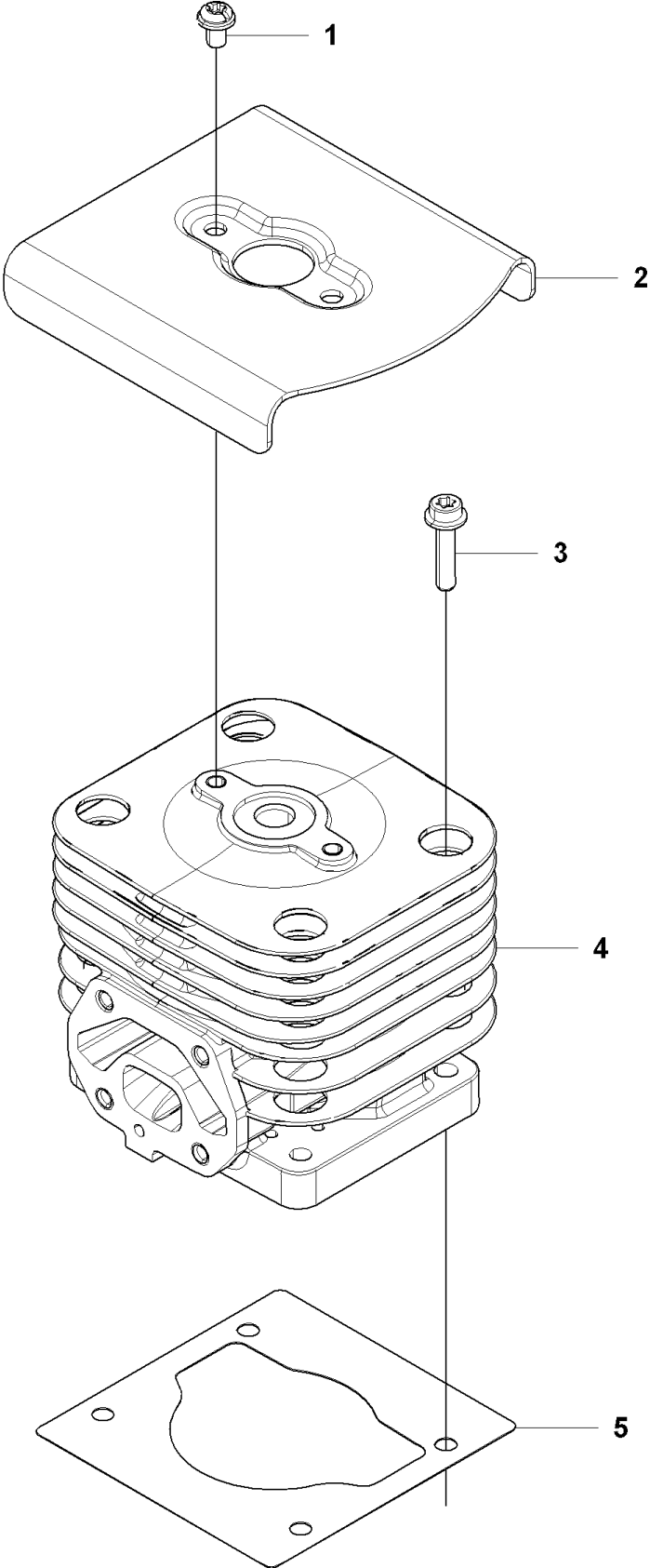


IGNITION SYSTEM

150 BF, 20084000001-Current

Ref	Part No	Description	Remark	QTY KIT
1	544 25 99-01	NUT		1
2	544 26 00-01	KEY		1
3	502 84 63-01	FLYWHEEL		1
4	502 84 64-01	IGNITION MODULE		1
5	544 26 03-01	SPARK PLUG CAP		1
6	504 11 82-01	SPRING		1
7	544 26 06-01	GROMMET		1
8	544 26 09-01	SPARK PLUG		1
9	544 25 75-01	BOLT		2
10	544 26 08-01	CABLE		1
11	544 25 90-01	BOLT		1
12	544 25 89-01	COVER		1

J 150BT/BF

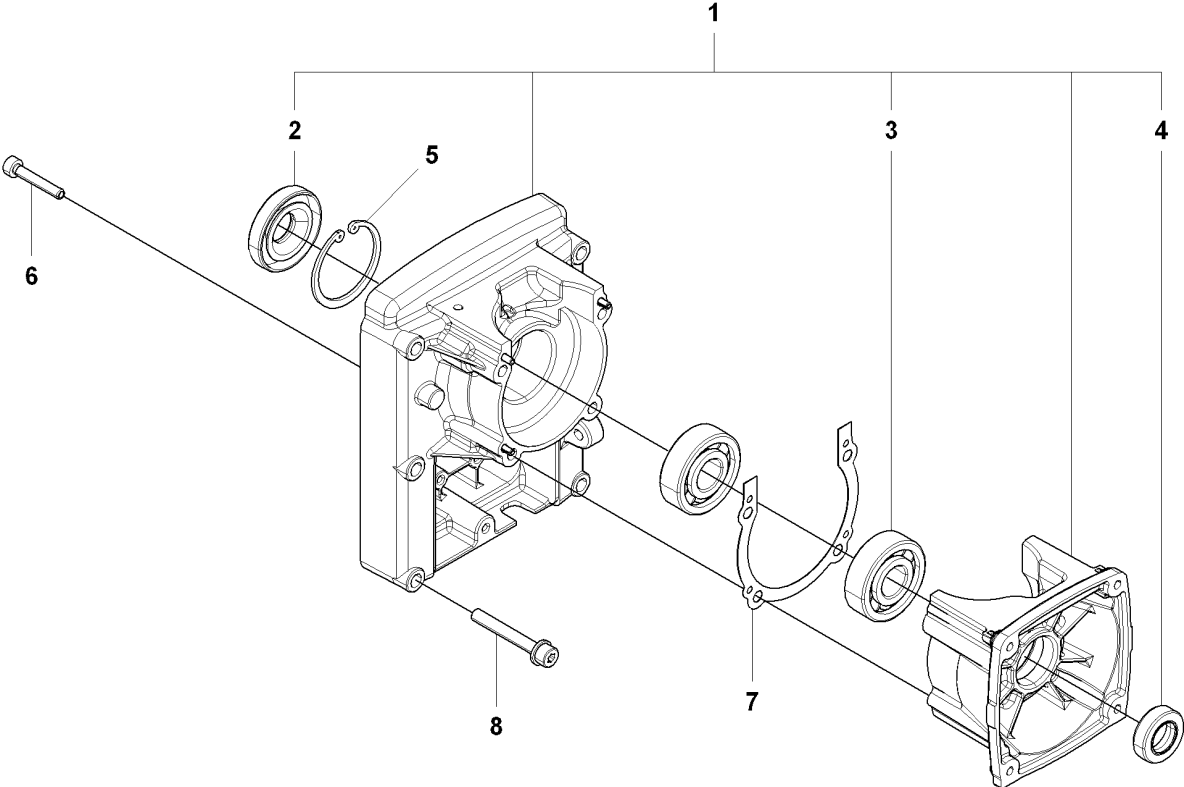


CYLINDER

150 BF, 20084000001-Current

Ref	Part No	Description	Remark	QTY KIT
1	544 25 68-01	SCREW		2
2	502 84 65-01	PLATE		1
3	544 25 66-01	BOLT		4
4	502 84 87-01	CYLINDER		1
5	502 84 88-01	GASKET		1

K 150BT/BF

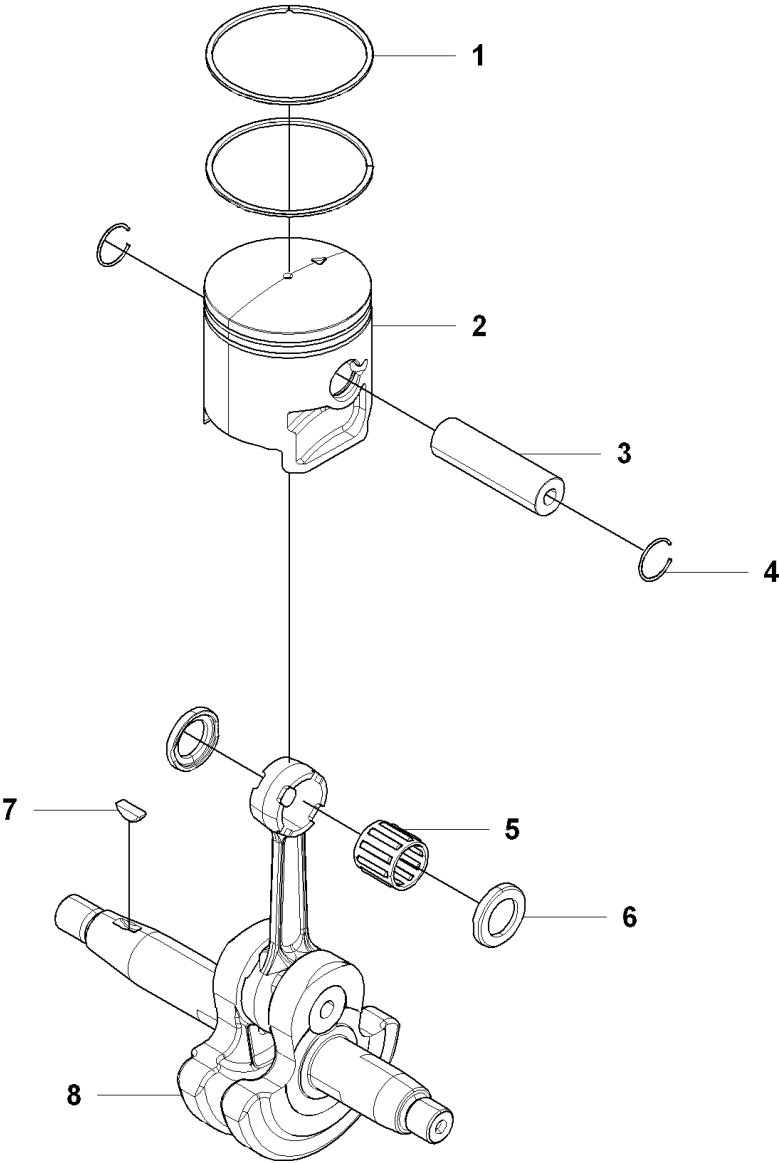


PISTON & CRANKSHAFT

150 BF, 20084000001-Current

Ref	Part No	Description	Remark	QTY KIT
1	502 84 89-01	CRANKCASE		1
2	502 84 90-01	SEALING		1
3	502 84 91-01	BEARING		2
4	502 84 92-01	SEALING		1
5	502 84 93-01	SNAP RING		1
6	544 25 88-01	BOLT		4
7	502 84 94-01	GASKET		1
8	544 25 91-01	BOLT		6

L 150BT/BF

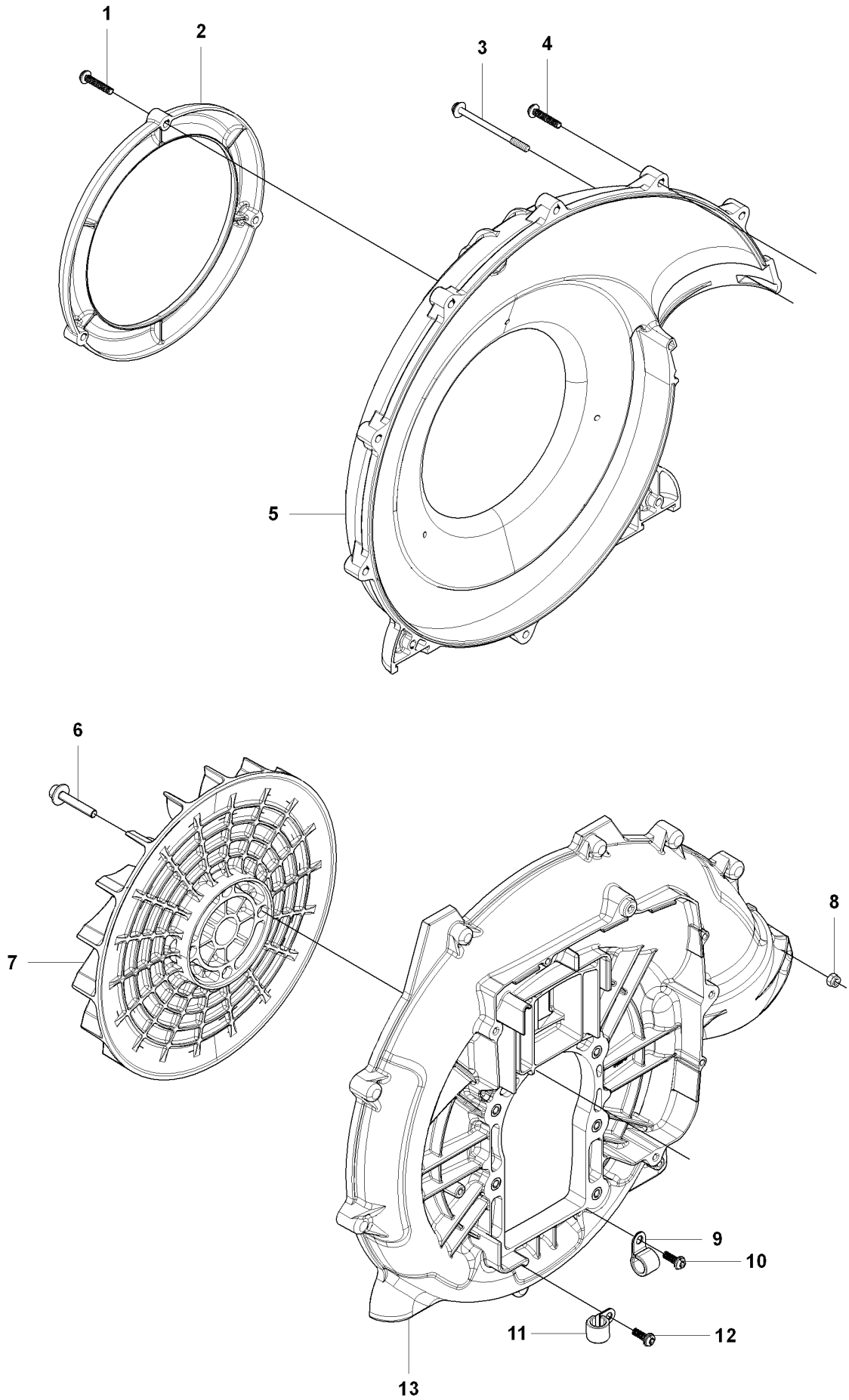


PISTON & CRANKSHAFT

150 BF, 20084000001-Current

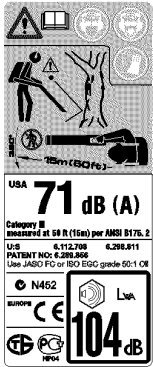
Ref	Part No	Description	Remark	QTY KIT
1	502 84 95-01	PISTON RING		2
2	502 84 96-01	PISTON		1
3	502 84 97-01	PISTON PIN		1
4	502 84 98-01	SNAP RING		2
5	502 84 99-01	BEARING		1
6	502 85 00-01	WASHER		2
7	544 26 00-01	KEY		1
8	502 85 01-01	CRANKSHAFT		1

M 150BT/BF

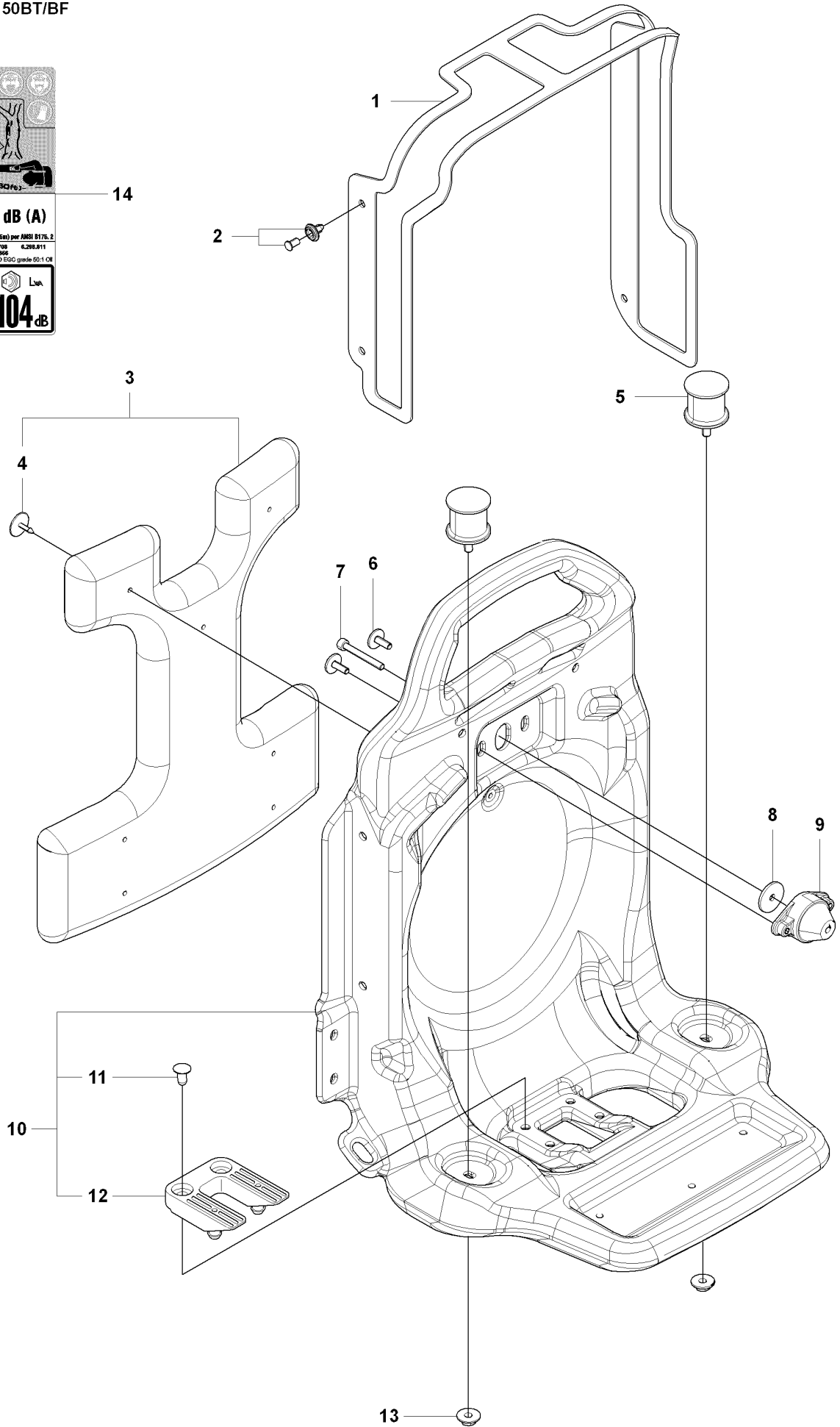


Ref	Part No	Description	Remark	QTY KIT
1	544 26 36-01	SCREW		3
2	544 26 48-01	FUNNEL		1
3	544 26 46-01	SCREW		2
4	544 26 36-01	SCREW		9
5	544 26 41-01	FAN HOUSING		1
6	544 26 51-01	BOLT		4
7	502 85 02-01	FAN		1
8	544 26 47-01	NUT		2
9	504 12 23-01	CLAMP		1
10	544 26 43-01	SCREW		1
11	544 26 49-01	CLAMP		1
12	544 26 43-01	SCREW		1
13	502 85 03-01	FAN HOUSING		1

N 150BT/BF



USA **71 dB (A)**
Category III
measured at 60 in. (1500) per ANSI S1.75.2
U.S. PATENT NO. 6,280,860 6,280,811
Use JANSO FC or ISO 550 grade 60-1 CR
N452
Lsk
CE
104 dB

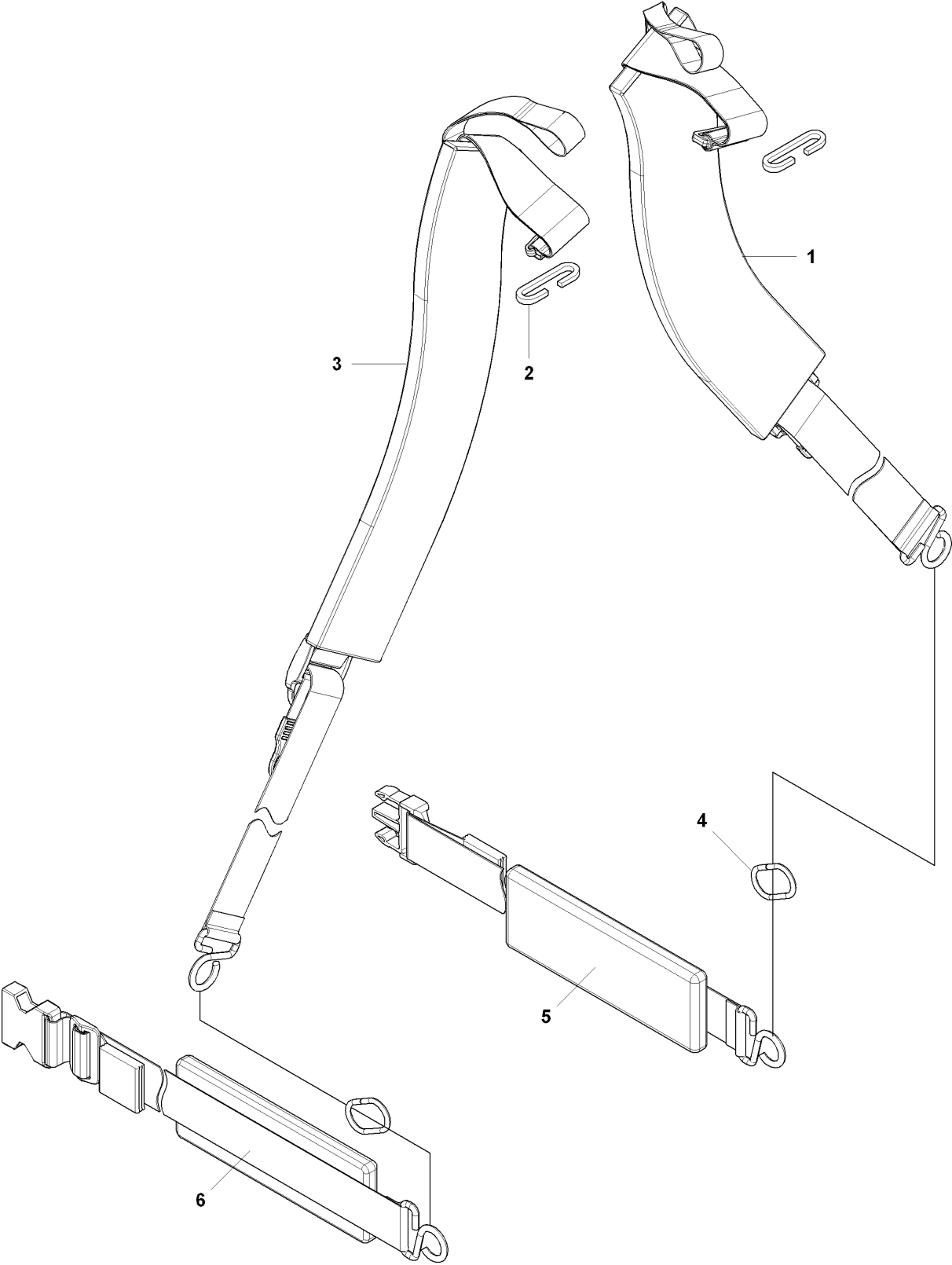


FRAME

150 BF, 20084000001-Current

Ref	Part No	Description	Remark	QTY KIT
1	544 27 03-01	NET		1
2	544 36 33-01	CLIP		4
3	544 27 01-01	PAD COMP		1
4	544 27 02-01	CLIP		7
5	544 27 09-01	DAMPER		2
6	544 27 08-01	SCREW		2
7	544 27 07-01	BOLT		1
8	502 85 05-01	WASHER		1
9	544 27 05-01	DAMPER		1
10	502 85 06-01	FRAME		1
11	544 36 33-01	CLIP		2
12	544 36 32-01	CUSHION		1
13	544 27 10-01	NUT		2
14	502 85 04-01	DECAL		1

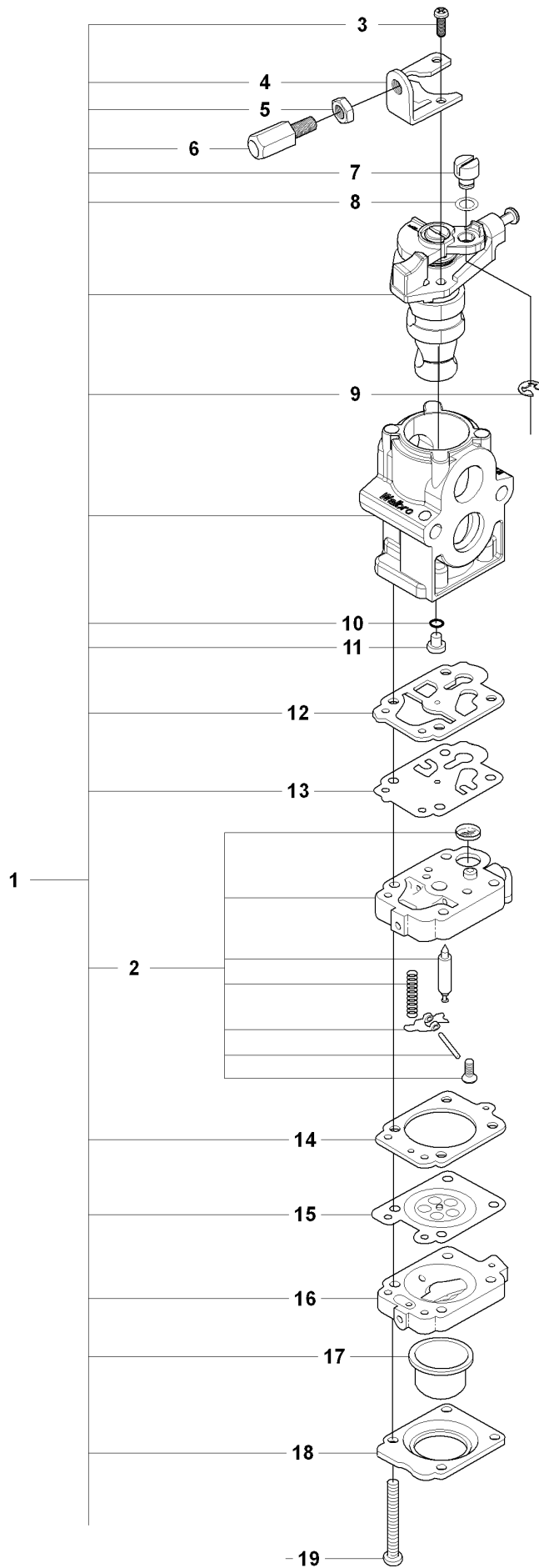
P 150BT/BF



Ref	Part No	Description	Remark	QTY KIT
1	544 26 98-01	BAND		1
2	544 27 00-01	CLIP		2
3	544 26 99-01	BAND		1
4	544 26 97-01	RING		2
5	544 27 45-01	BAND		1
6	544 27 46-01	BAND		1

Q 150BT/BF

Walbro WYA-79

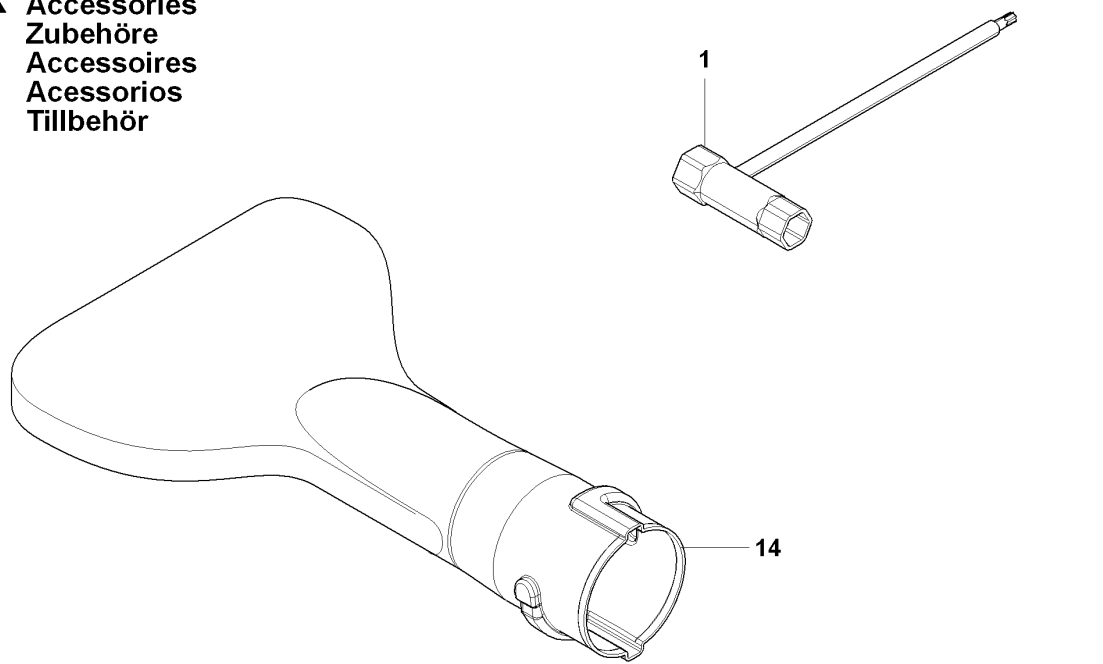


CARBURETOR DETAILS

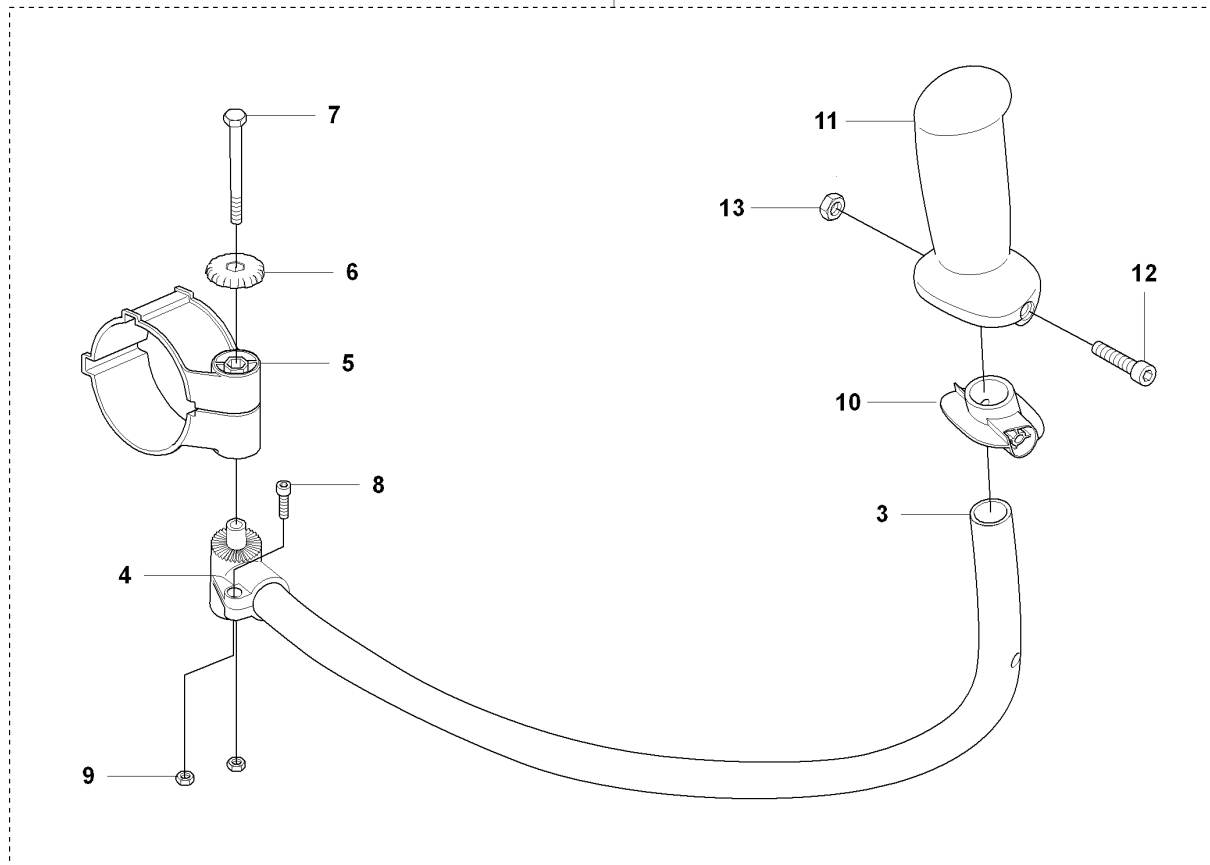
150 BF, 20084000001-Current

Ref	Part No	Description	Remark	QTY KIT
1	502 84 50-01	CARBURETTOR		1
2	544 36 35-01	BODY CARBURETTOR		1
3	544 36 47-01	SCREW		2
4	544 36 48-01	BRACKET		1
5	544 36 49-01	NUT		1
6	544 36 50-01	SCREW		1
7	544 36 41-01	SWIVEL CARB		1
8	544 36 40-01	WASHER		1
9	544 36 42-01	RING		1
10	544 36 54-01	O-RING		1
11	504 64 32-01	JET		1
12	544 36 43-01	GASKET		1
13	544 36 44-01	DIAPHRAGM CARBURETTOR		1
14	544 36 45-01	GASKET		1
15	504 64 31-01	DIAPHRAGM CARBURETTOR		1
16	544 36 36-01	BODY CARBURETTOR		1
17	544 36 39-01	PUMP		1
18	544 36 38-01	COVER		1
19	544 36 52-01	SCREW		4

R 150BT/BF
Accessories
Zubehöre
Accessoires
Acessorios
Tillbehör



2



ACCESSORIES

150 BF, 20084000001-Current

Ref	Part No	Description	Remark	QTY KIT
1	544 27 44-01	SOCKET		1
2	544 40 00-02	HANDLEBAR ASSY		1
3	537 24 13-01	HANDLEBAR		1
4	537 29 29-01	BRACKET		1
5	544 27 59-02	HOLDER		1
6	502 20 40-01	KNOB		1
7	725 23 47-51	SCREW EHHM		1
8	725 53 25-55	SCREW IHSCM		1
9	731 23 14-01	HEXAGON NUT		2
10	537 17 29-01	COVER		1
11	537 17 28-01	HANDLE		1
12	503 20 02-45	SCREW IHSCFM		1
13	731 23 14-01	HEXAGON NUT		1
14	502 44 40-01	TUBE		1