

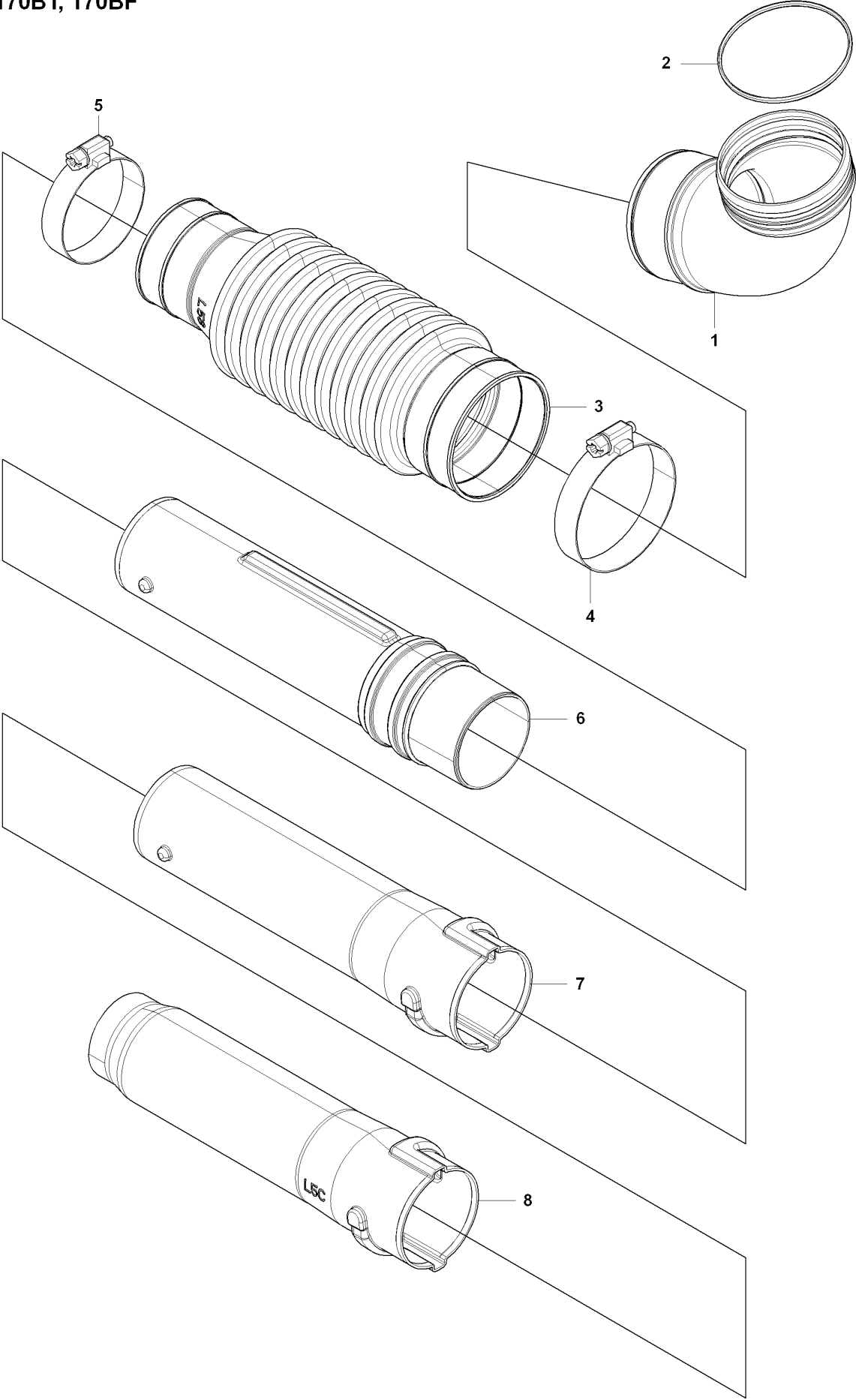


SPARE PARTS LIST

BLOWERS

170 BT, 20084000001-Current

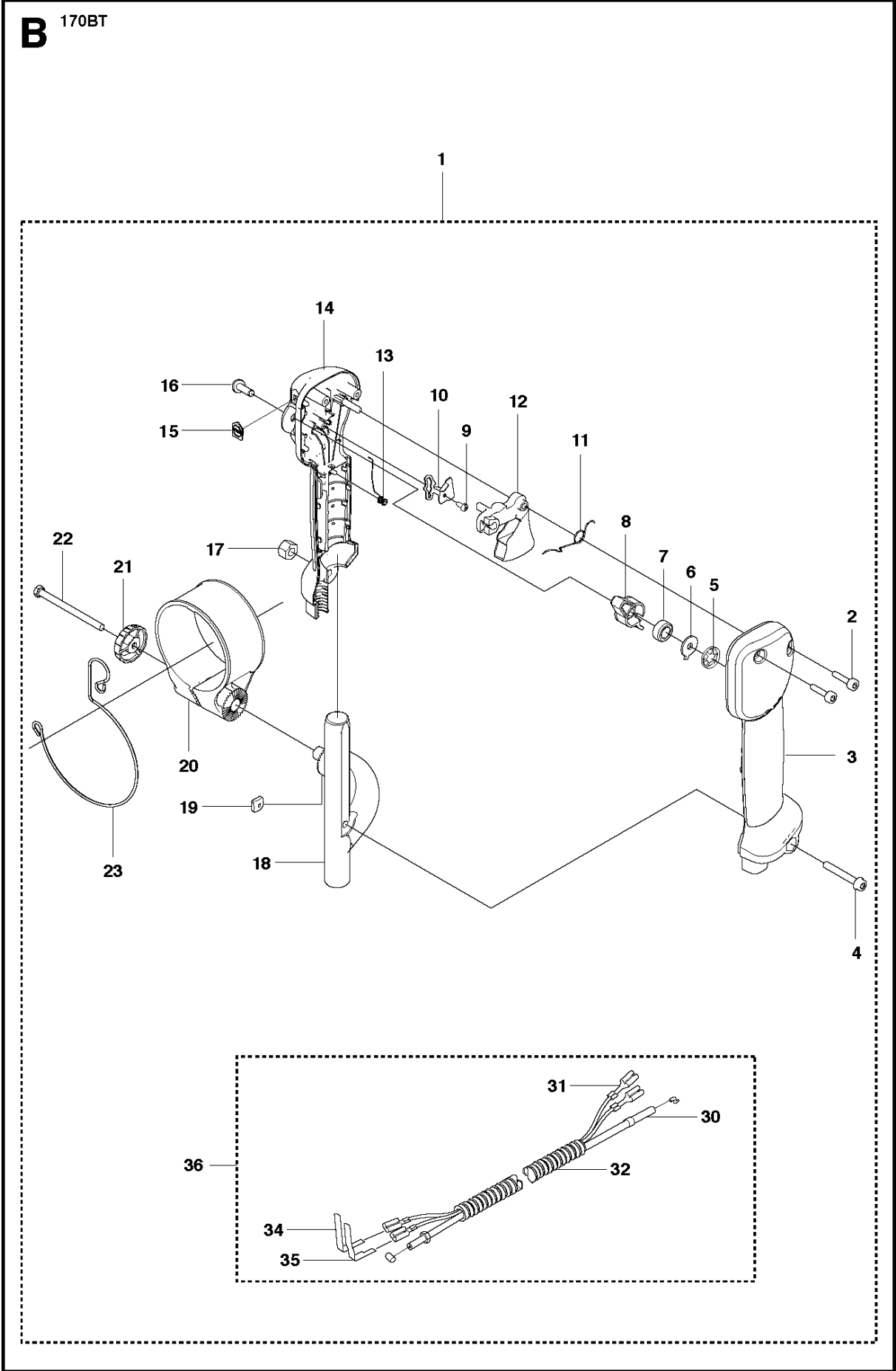
A 170BT, 170BF



TUBE

170 BT, 20084000001-Current

Ref	Part No	Description	Remark	QTY KIT
1	511 78 54-01	ELBOW		1
2	581 45 19-01	O-RING		1
3	511 80 62-01	HOSE		1
4	544 27 41-01	CLAMP		1
5	544 27 40-01	CLAMP		1
6	505 18 11-01	SWIVEL		1
7	511 76 82-01	PIPE		2
8	511 80 63-01	PIPE.END		1

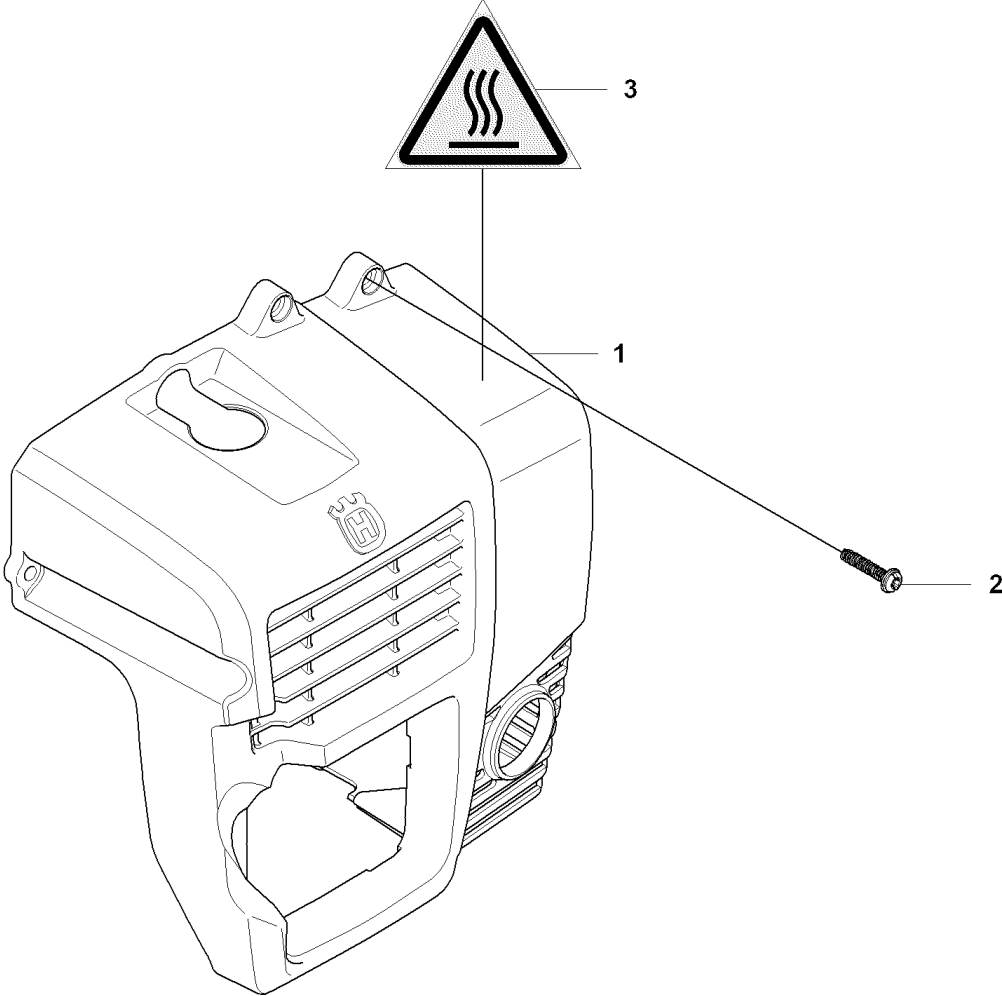


HANDLE & CONTROLS

170 BT, 20084000001-Current

Ref	Part No	Description	Remark	QTY KIT
1	528 91 12-01	LEVER		1
2	503 21 66-18	SCREW IH SCT		2
3	502 24 49-01	HANDLE HALF		1
4	505 29 08-01	SCREW		1
5	735 58 35-01	WASHER		1
6	505 18 15-01	WASHER		1
7	537 37 39-01	SPRING		1
8	502 24 55-01	CONTROL		1
9	505 29 10-01	SCREW		1
10	502 24 60-01	RETAINER		1
11	537 17 42-01	SPRING THROTTLE TRIG		1
12	502 24 54-01	TRIGGER		1
13	505 56 79-01	SPRING		1
14	502 24 48-01	HANDLE HALF		1
15	502 64 17-01	PLATE		1
16	537 14 12-03	SHAFT PIVOT		1
17	510 91 12-01	NUT		1
18	502 24 53-01	HOLDER		1
19	503 22 65-04	SQUARE NUT		1
20	511 79 75-01	HOLDER		1
21	504 80 03-01	TURNING KNOB		1
22	725 23 44-51	SCREW EHHM		1
23	544 27 60-01	CLAMP		1
30	522 48 31-01	CABLE		1
31	522 48 30-01	CORD		1
32	522 48 34-01	TUBE		1
34	537 22 63-01	CONNECTOR		1
35	537 22 62-01	CONNECTOR		1
36	575 99 38-01	WIRING ASSY		1

C 170BT, 170BF

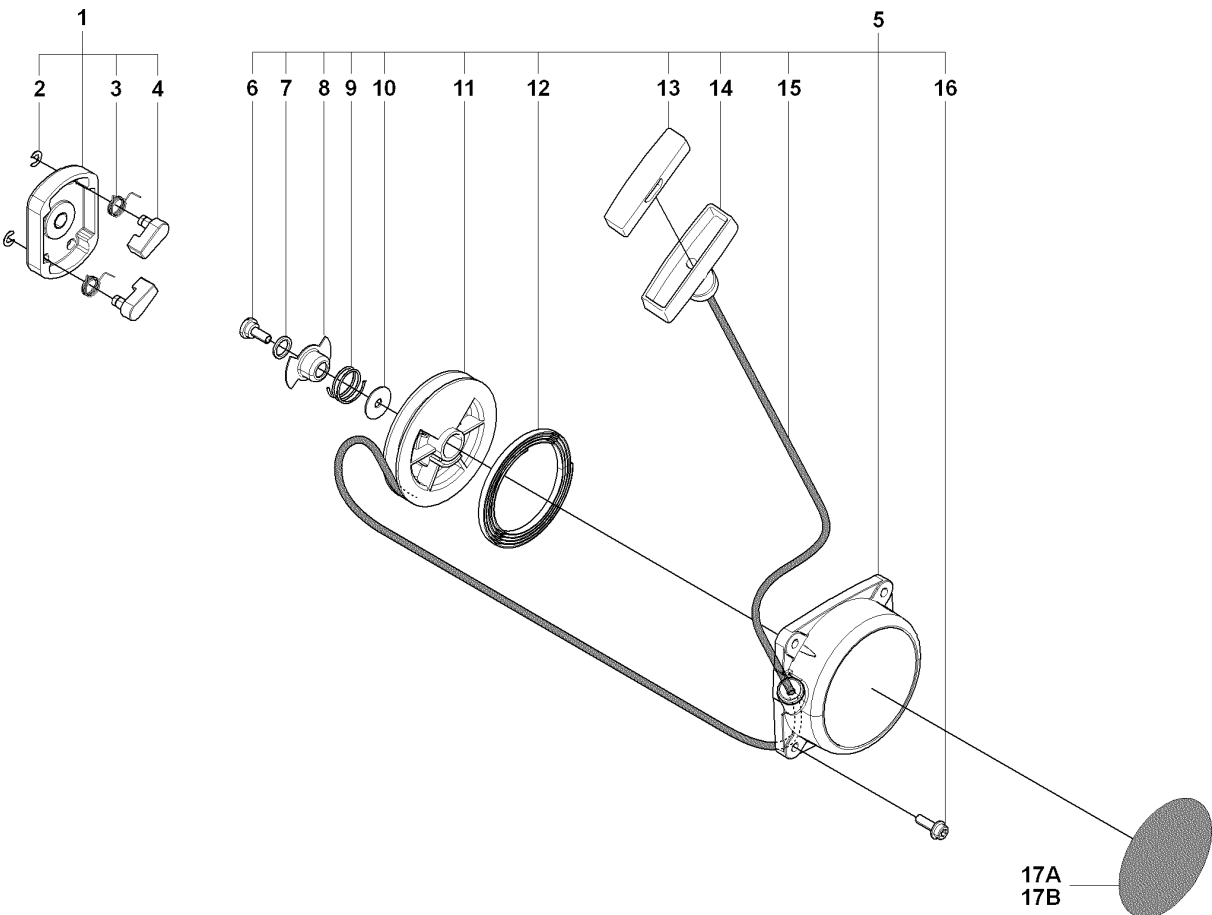


CYLINDER COVER

170 BT, 20084000001-Current

Ref	Part No	Description	Remark	QTY KIT
1	511 79 16-01	ENGINECOVER		1
2	512 84 81-01	SCREW		5
3	521 55 36-01	LABEL		1

D 170BT, 170BF

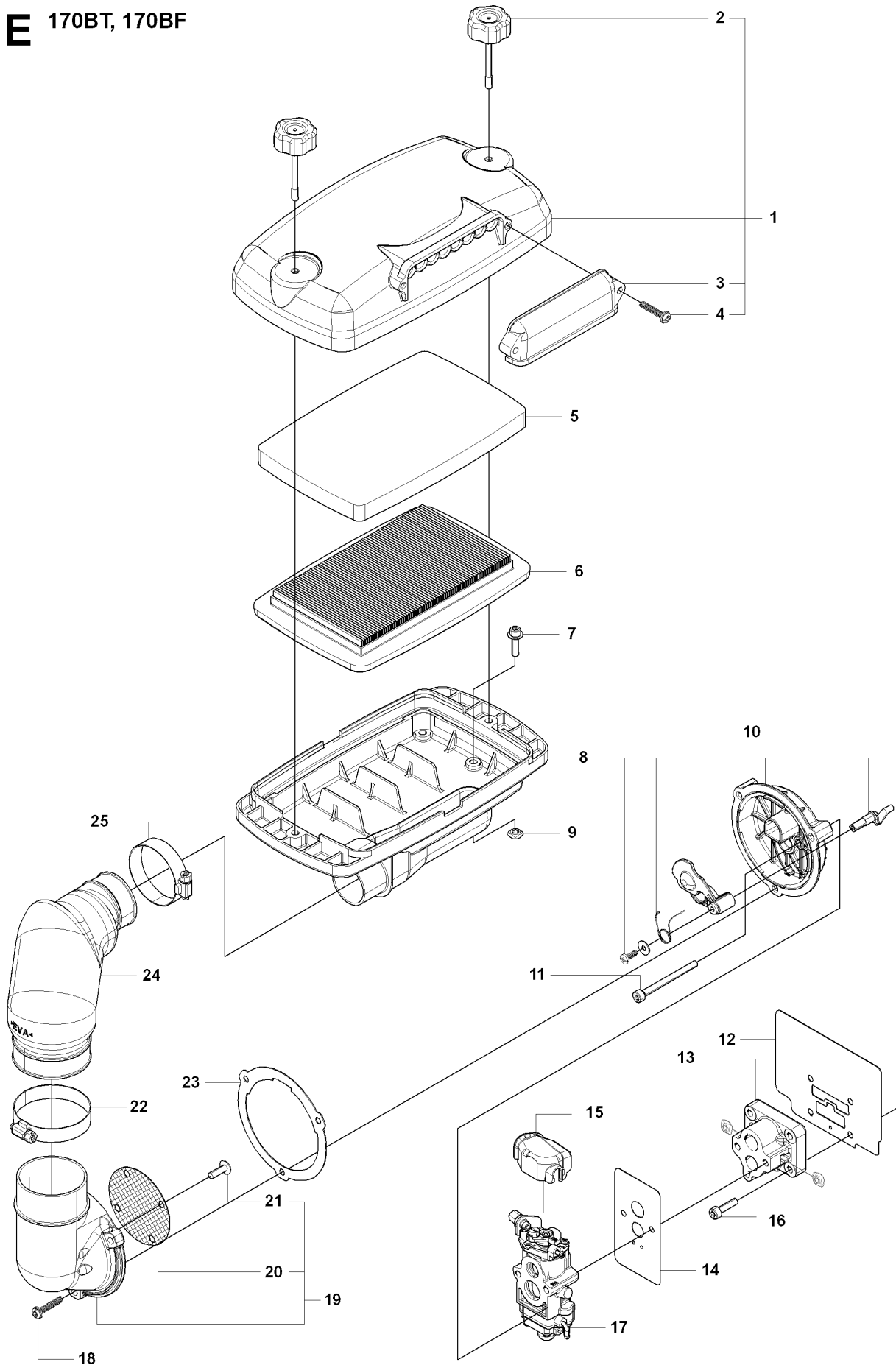


STARTER

170 BT, 20084000001-Current

Ref	Part No	Description	Remark	QTY KIT
1	521 62 95-01	PULLEY ASSY		1
2	513 16 77-01	E-RING		2
3	521 63 84-01	SPRING		2
4	521 63 10-01	RATCHET		2
5	521 62 93-01	STARTER ASSY		1
6	515 36 71-01	SCREW		1
7	521 63 12-01	WASHER		1
8	521 63 03-01	PLATE		1
9	521 63 06-01	SPRING		1
10	521 63 08-01	WASHER		1
11	521 62 99-01	REEL		1
12	521 62 96-01	SPRING		1
13	521 63 13-01	COVER		1
14	521 63 00-01	KNOB		1
15	521 53 18-01	ROPE		1
16	506 74 56-01	BOLT		4
17A	511 80 92-01	LABEL.RECOIL		1
17B	511 81 27-01	LABEL.RECOIL		1

E 170BT, 170BF

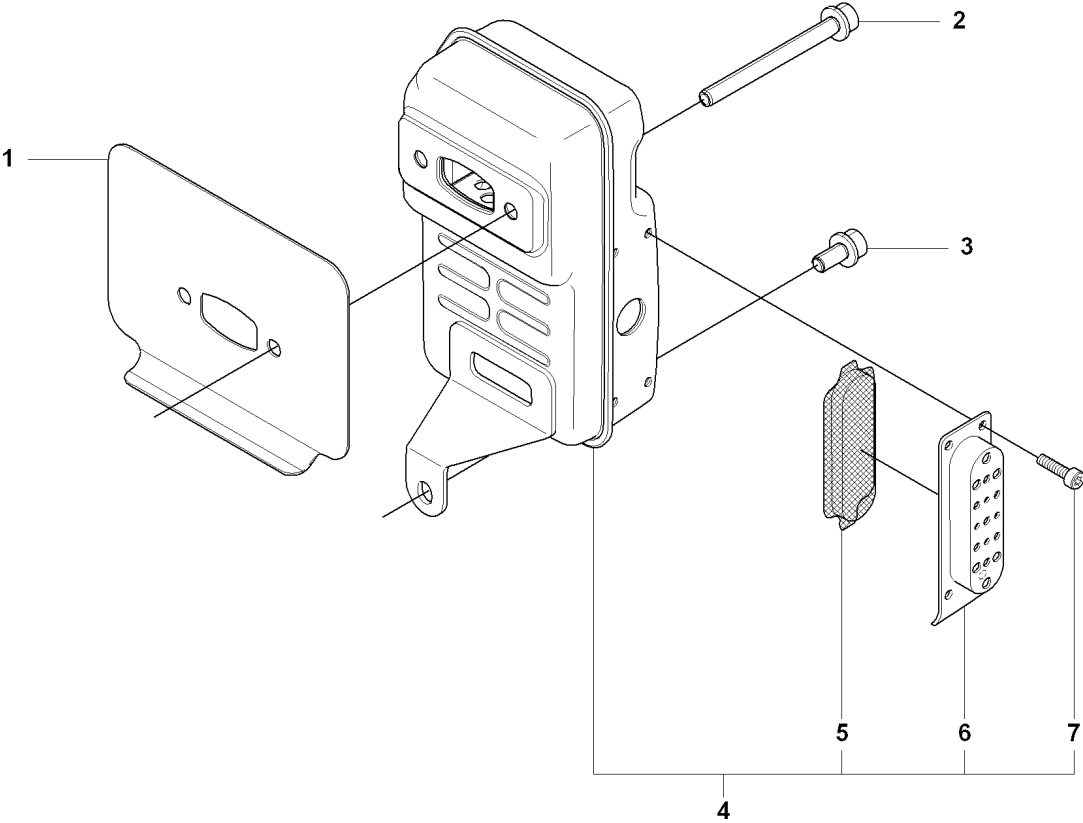


CARBURETOR & AIR FILTER

170 BT, 2008400001-Current

Ref	Part No	Description	Remark	QTY KIT
1	511 78 59-01	COVER		1
2	544 27 14-01	KNOB BOLT		2
3	544 27 13-01	COVER		1
4	512 84 81-01	SCREW		2
5	512 65 41-01	AIR FILTER		1
6	512 65 20-01	AIR FILTER		1
7	512 84 56-01	BOLT		4
8	544 27 11-01	BODY		1
9	544 27 21-01	NUT		4
10	544 36 31-01	CUP		1
11	515 39 07-01	BOLT		2
12	521 62 75-01	GASKET		1
13	521 62 74-01	INSULATOR		1
14	521 62 76-01	GASKET		1
15	506 74 42-01	COVER		1
16	521 51 65-01	BOLT		4
17	544 36 30-01	CARBURETTOR		1
18	512 84 81-01	SCREW		3
19	521 63 20-01	CUP		1
20	521 63 25-01	SCREEN		1
21	513 30 36-01	SCREW		2
22	544 27 19-01	CLAMP		1
23	521 63 26-01	GASKET		1
24	511 78 60-01	HOSE		1
25	544 27 18-01	CLAMP		1

F 170BT, 170BF



MUFFLER

170 BT, 20084000001-Current

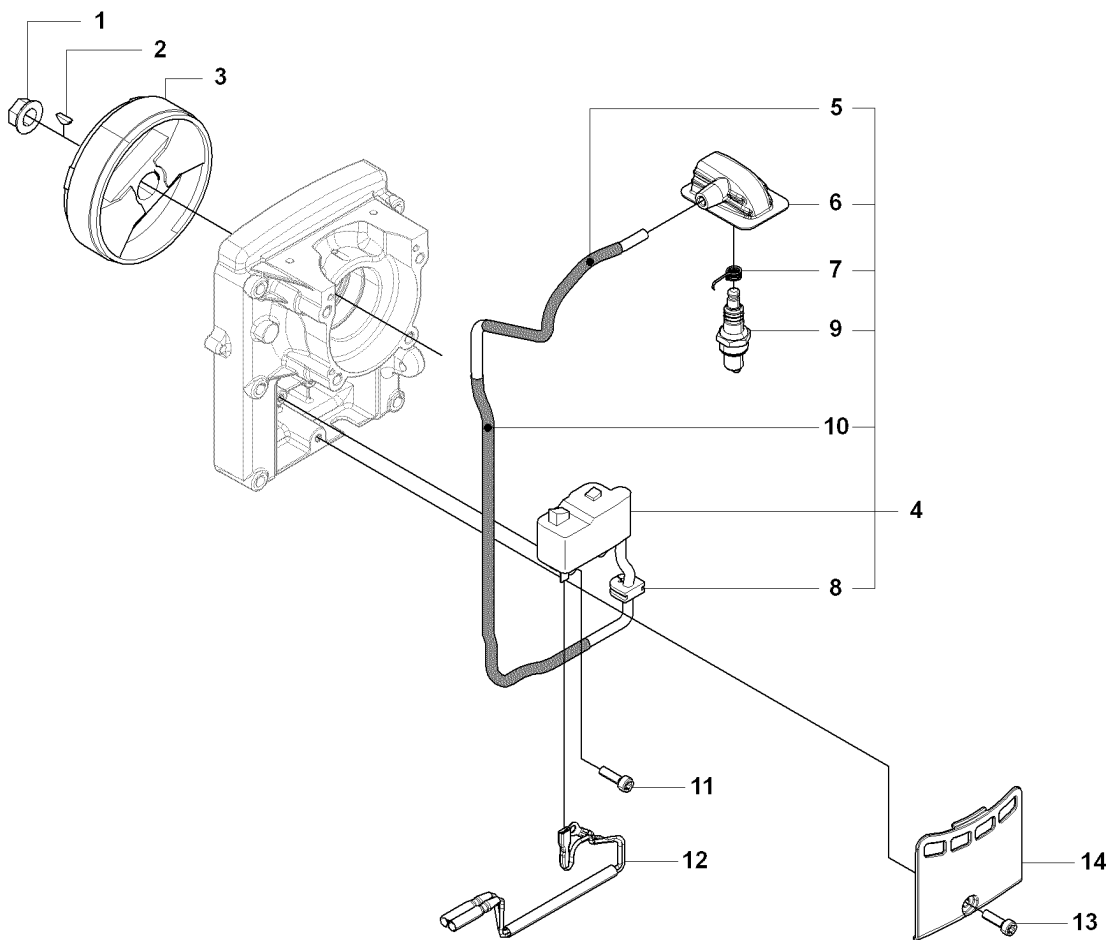
Ref	Part No	Description	Remark	QTY KIT
1	504 79 61-01	GASKET		1
2	584 63 39-01	BOLT		2
3	544 25 80-01	BOLT		1
4	544 25 77-01	MUFFLER		1
5	544 25 78-01	SPARK ARRESTER		1
6	544 36 26-01	DEFLECTOR		1
7	544 36 27-01	BOLT		4

FUEL TANK

170 BT, 20084000001-Current

Ref	Part No	Description	Remark	QTY KIT
1	544 27 22-01	TANK ASSY	EU	1
1	522 61 41-01	TANK ASSY.EVP	US	1
2	579 13 83-03	HOSE ASSY		1
3	575 96 06-01	NUT		1
4	506 70 70-01	CLIP		1
5	504 11 77-01	TANK CAP ASSY		1
6	504 11 79-01	HOLDER		1
7	506 74 68-01	FILTER		1
8	515 36 94-01	HOLDER		1
9	506 74 43-01	PACKING		1
10	506 74 15-01	CLIP		1
11	544 27 31-01	SCREW		3

H 170BT, 170BF

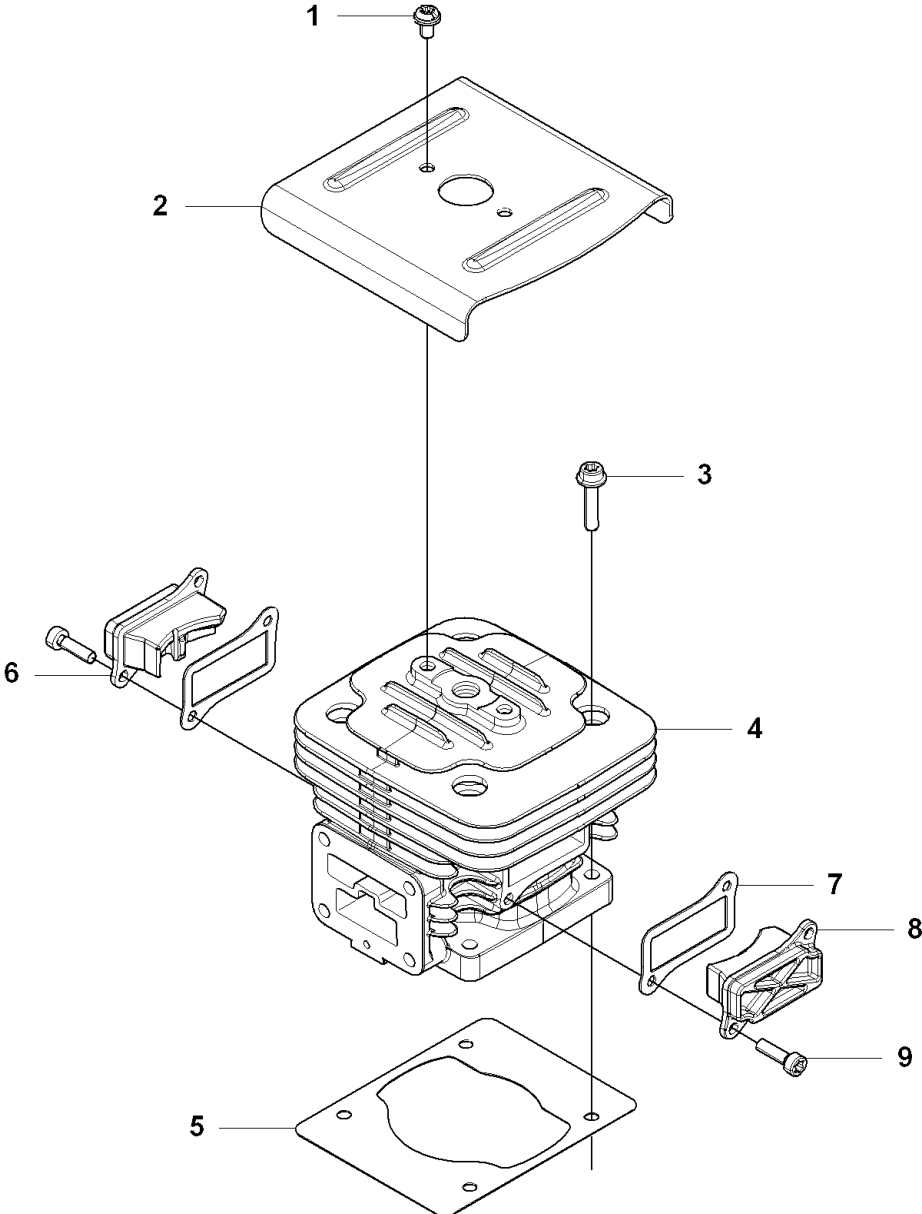


IGNITION SYSTEM

170 BT, 20084000001-Current

Ref	Part No	Description	Remark	QTY KIT
1	513 24 19-01	NUT		1
2	506 68 94-01	KEY		1
3	574 81 42-01	FLYWHEEL		1
4	574 81 87-01	COIL		1
5	511 49 35-01	TUBE		1
6	512 44 40-01	HUB CAP		1
7	506 65 52-01	SPRING		1
8	515 41 53-01	GROMMET		1
9	506 61 51-01	SPARK PLUG		1
10	544 36 29-01	TUBE		1
11	506 74 57-01	BOLT		2
12	505 18 37-01	CORD		1
13	506 74 57-01	BOLT		1
14	521 62 84-01	COVER		1

J 170BT, 170BF

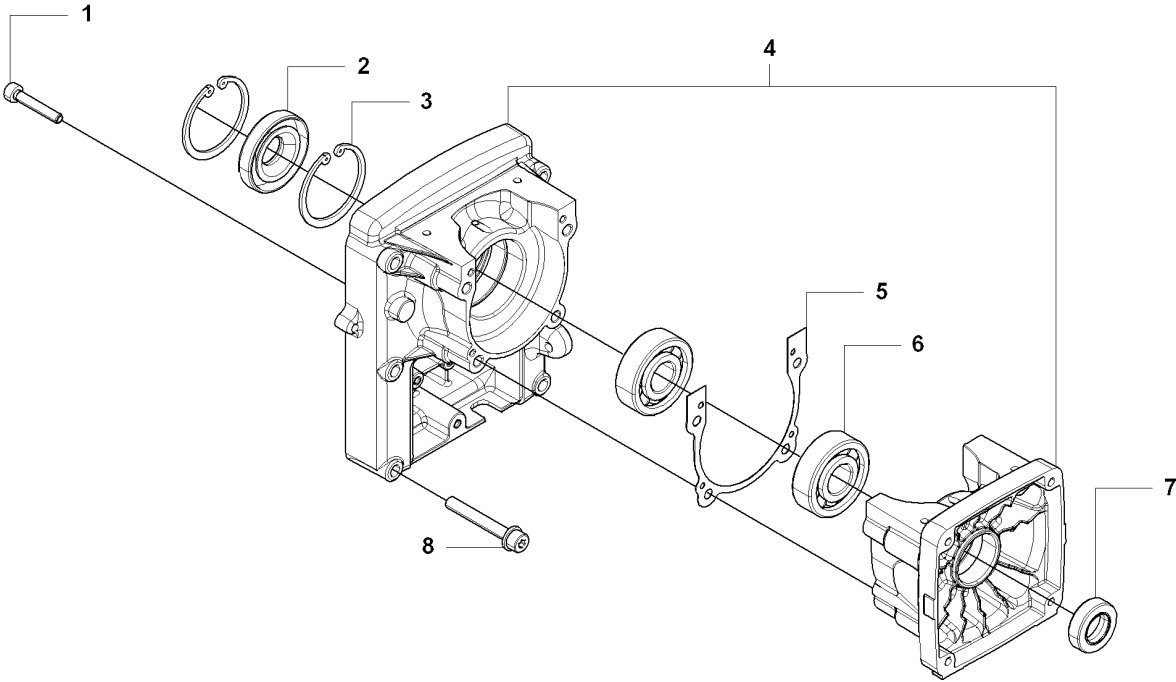


CYLINDER

170 BT, 20084000001-Current

Ref	Part No	Description	Remark	QTY KIT
1	544 25 68-01	SCREW		2
2	521 62 72-01	PLATE		1
3	584 63 38-01	BOLT		4
4	544 25 64-01	CYLINDER		1
5	521 62 68-01	GASKET		1
6	544 25 74-01	COVER		1
7	521 62 71-01	GASKET		2
8	544 25 73-01	COVER		1
9	506 74 57-01	BOLT		4

K 170BT, 170BF

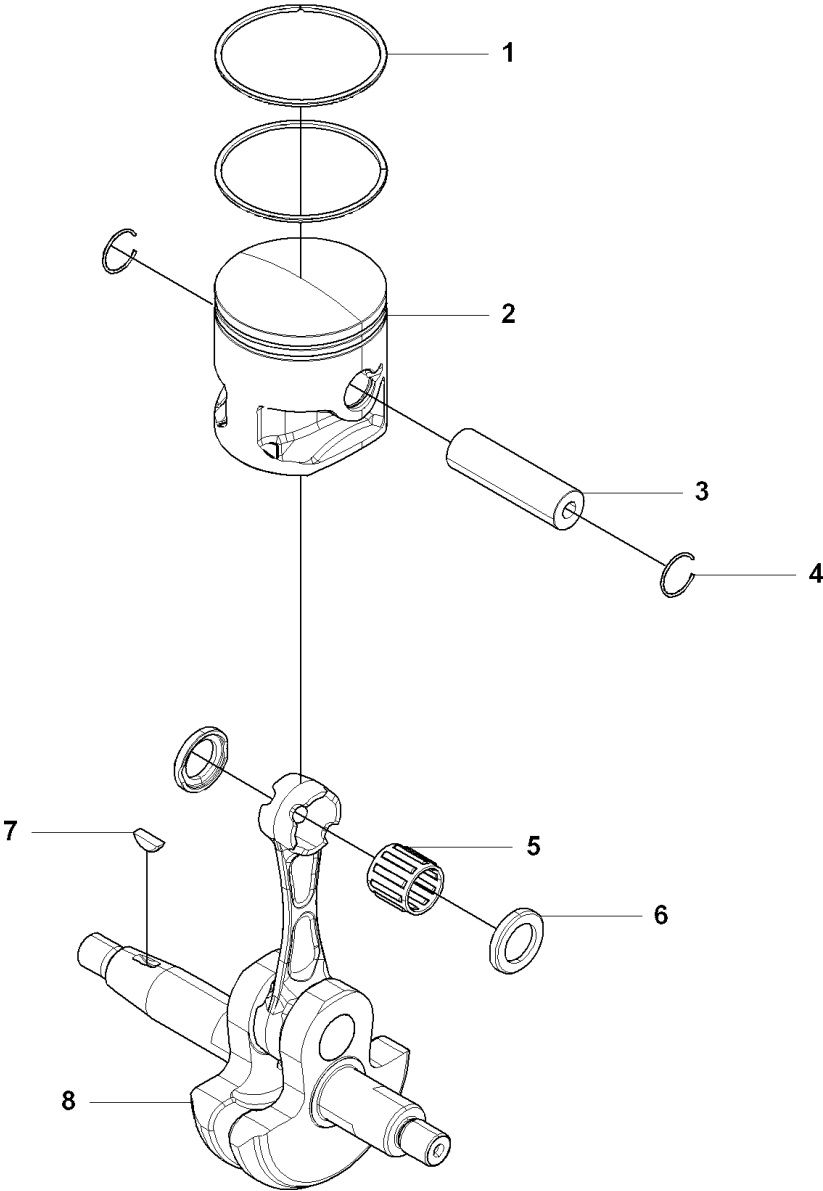


PISTON & CRANKSHAFT

170 BT, 20084000001-Current

Ref	Part No	Description	Remark	QTY KIT
1	515 38 81-01	BOLT		4
2	521 52 20-01	SEAL		1
3	516 12 62-01	SNAP RING		2
4	521 62 82-01	CASE-COMP		1
5	521 62 83-01	GASKET		1
6	521 52 13-01	BEARING		2
7	521 52 19-01	SEAL		1
8	576 81 04-01	BOLT		1

L 170BT, 170BF

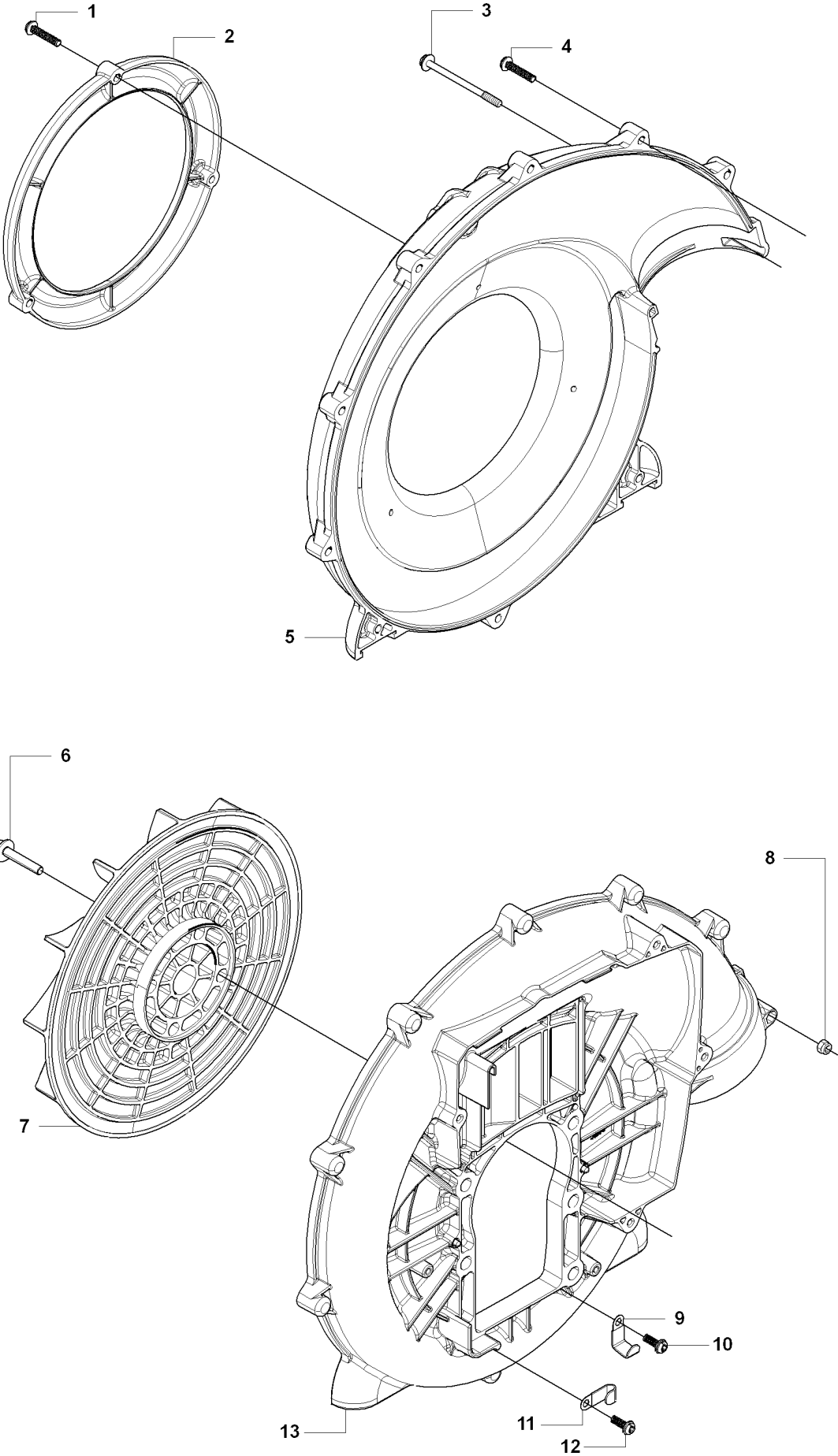


PISTON & CRANKSHAFT

170 BT, 20084000001-Current

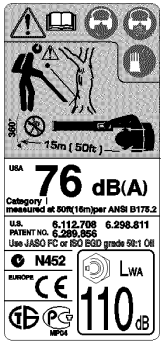
Ref	Part No	Description	Remark	QTY KIT
1	544 25 93-01	PISTON RING		2
2	544 25 92-01	PISTON		1
3	544 25 94-01	PISTON PIN		1
4	521 53 19-01	SNAP RING		2
5	521 52 08-01	ROLLER BEARING		1
6	521 52 05-01	WASHER		2
7	506 68 94-01	KEY		1
8	521 62 88-01	SHAFT-COMP		1

M 170BT, 170BF



Ref	Part No	Description	Remark	QTY KIT
1	512 84 81-01	SCREW		3
2	511 80 52-01	FUNNEL		1
3	544 26 46-01	SCREW		2
4	512 84 81-01	SCREW		9
5	511 80 50-01	VOLUTE COVER		1
6	510 90 61-01	BOLT		4
7	513 66 59-01	FAN		1
8	514 18 39-01	NUT		2
9	504 12 23-01	CLAMP		1
10	512 84 79-01	SCREW		1
11	521 52 51-01	CLAMP		1
12	512 84 79-01	SCREW		1
13	511 80 49-01	VOLUTE CASE		1

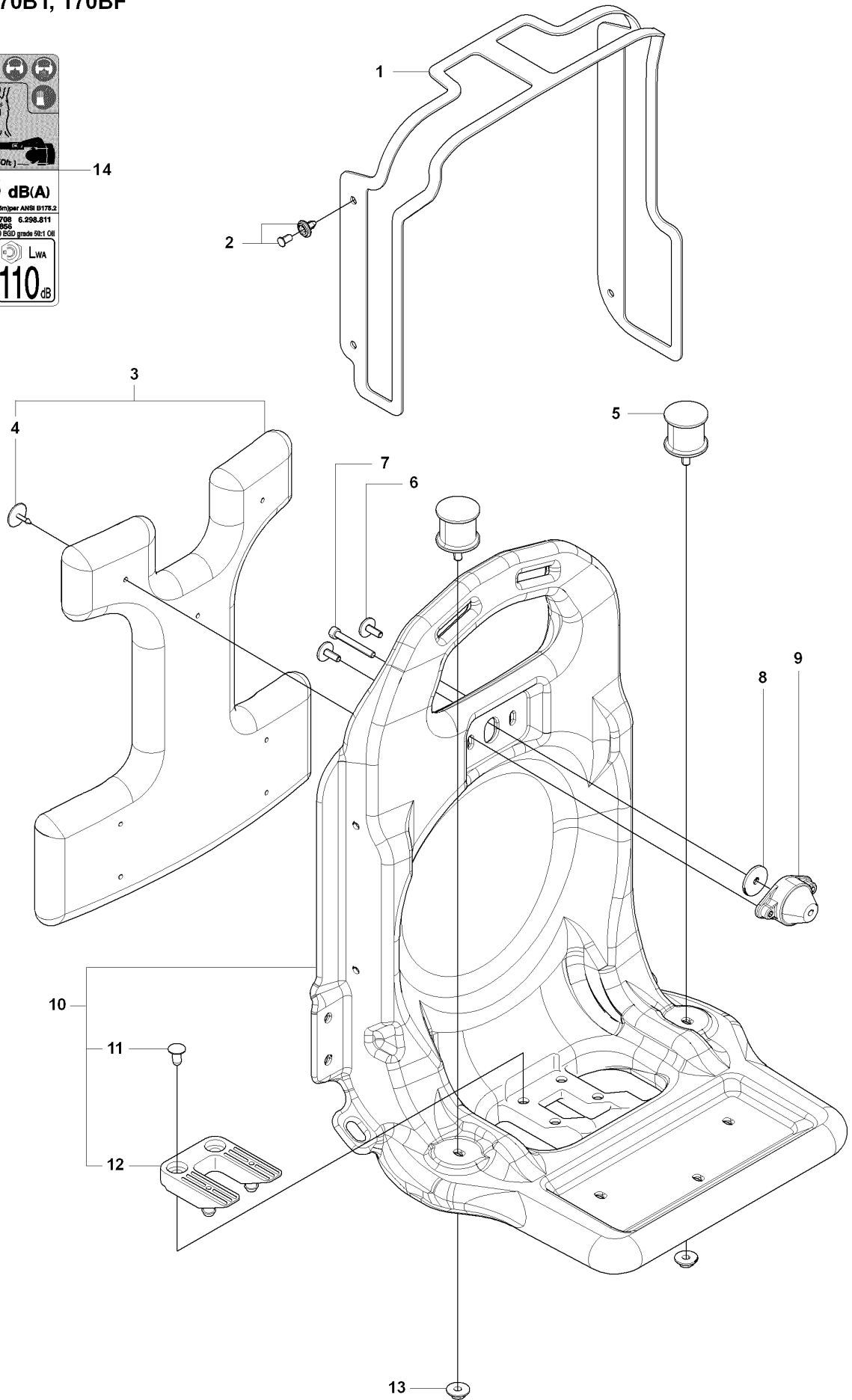
N 170BT, 170BF



USA **76 dB(A)**
Category 1
measured at 80cm (16m) per ANSI S117.2
U.S. 6.112.708 6.298.811
PATENT NO. 6.298.856
Use JHSO P2 or ISO 1500 grade SR-1 CH

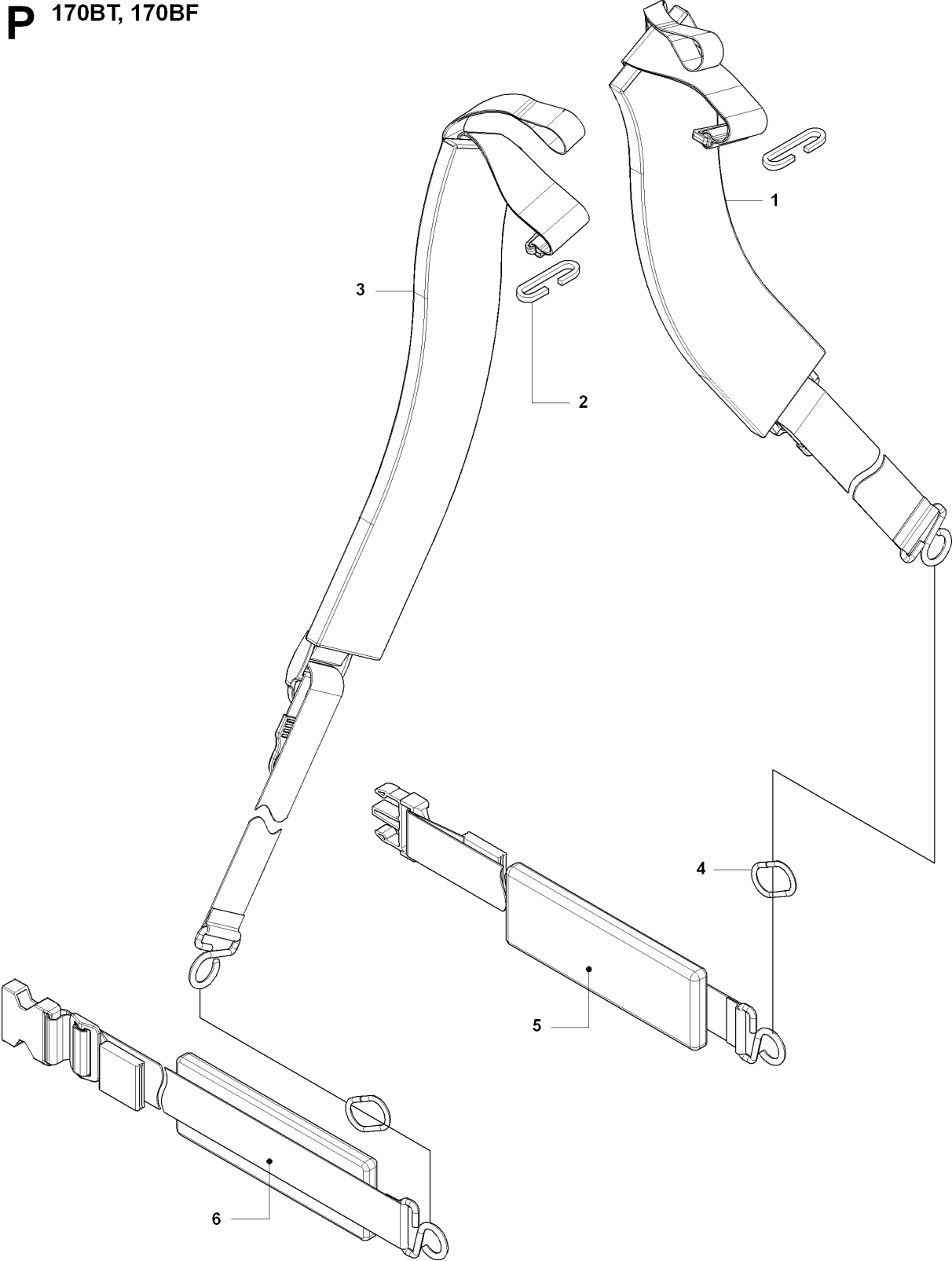
EUROPE **110 dB**
LWA
N462
CE
MPC

15m (50ft)



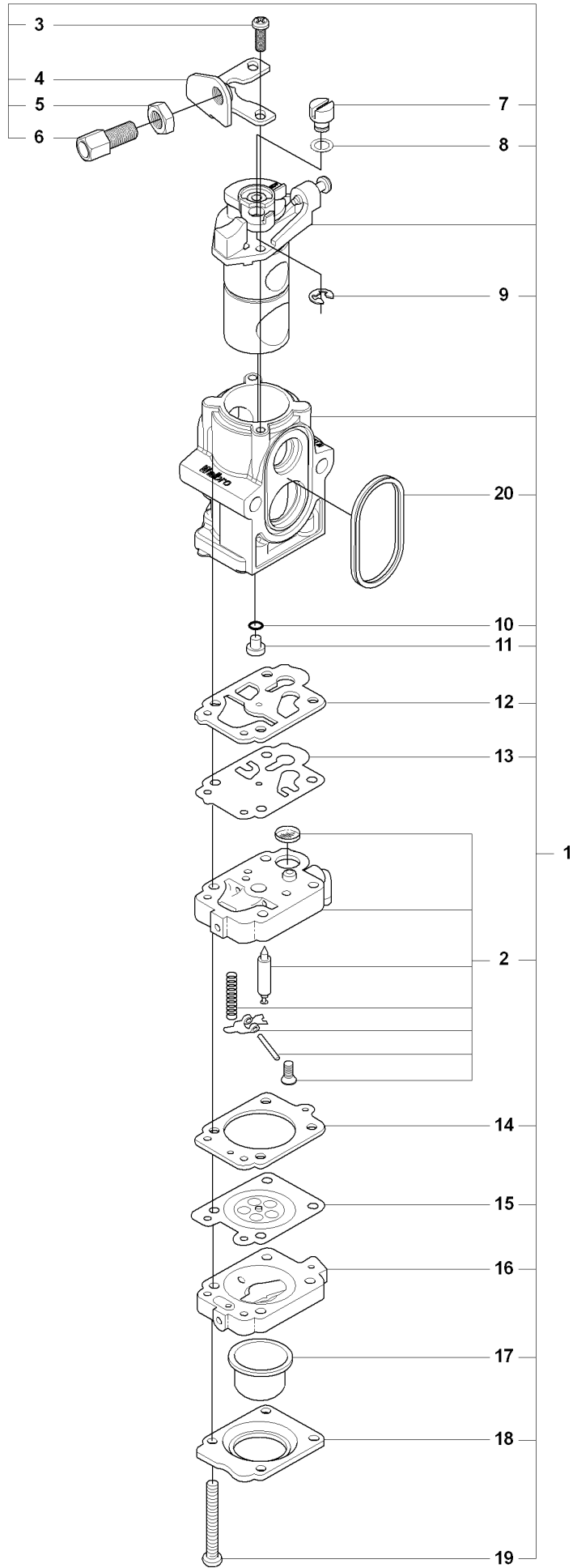
Ref	Part No	Description	Remark	QTY KIT
1	511 80 09-01	NET		1
2	544 27 04-01	CLIP		4
3	544 27 01-01	PAD COMP		1
4	544 27 02-01	CLIP		7
5	513 66 73-01	DAMPER		2
6	544 27 08-01	SCREW		2
7	521 51 72-01	BOLT		1
8	502 85 05-01	WASHER		1
9	513 66 67-01	DAMPER		1
10	544 26 96-01	FRAME		1
11	544 27 04-01	CLIP		2
12	511 80 20-01	CUSHION		1
13	513 66 75-01	NUT		2
14	511 81 14-01	LABEL		1

P 170BT, 170BF



Ref	Part No	Description	Remark	QTY KIT
1	511 80 29-01	BAND		1
2	544 27 00-01	CLIP		2
3	511 80 30-01	BAND		1
4	514 33 16-01	RING		2
5	511 80 36-01	BAND		1
6	511 80 38-01	BAND		1

Q 170BT, 170BF

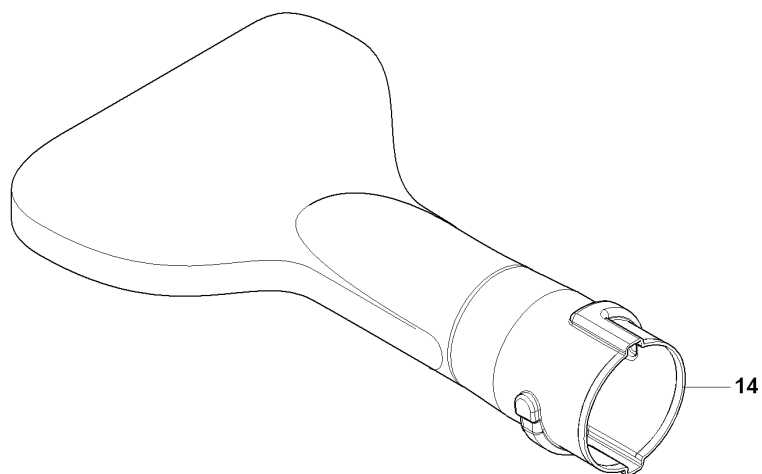
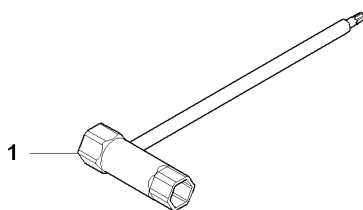


CARBURETOR DETAILS

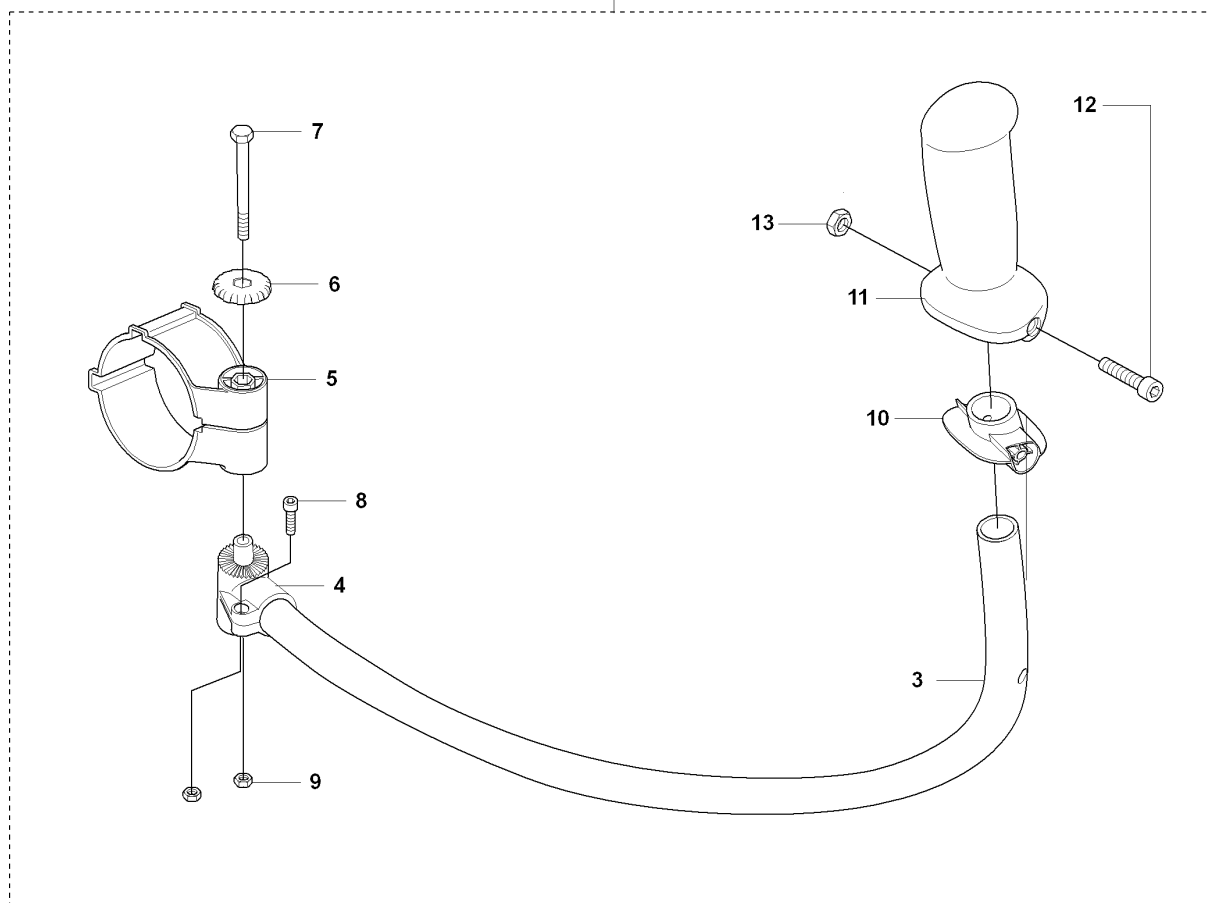
170 BT, 20084000001-Current

Ref	Part No	Description	Remark	QTY KIT
1	544 36 30-01	CARBURETTOR		1
2	544 36 35-01	BODY CARBURETTOR		1
3	505 30 79-01	SCREW		2
4	506 74 60-01	BRACKET		1
5	506 61 26-01	NUT		1
6	506 74 13-01	SCREW		1
7	506 74 12-01	SWIVEL		1
8	506 74 61-01	WASHER		1
9	506 73 86-01	RETAINER RING		1
10	505 30 75-01	O-RING		1
11	544 36 53-01	JET		1
12	506 74 51-01	GASKET		1
13	506 68 98-01	DIAPHRAGM		1
14	506 74 08-01	GASKET		1
15	505 30 68-01	DIAPHRAGM		1
16	506 74 09-01	BODY		1
17	505 30 67-01	PUMP		1
18	506 74 10-01	COVER		1
19	506 74 11-01	SCREW		4
20	521 63 15-01	RING		1

R 170BT, 170BF
 Accessories
 Zubehöre
 Accessoires
 Accesorios
 Tillbehör



2



ACCESSORIES

170 BT, 20084000001-Current

Ref	Part No	Description	Remark	QTY KIT
1	521 53 30-01	SOCKET		1
2	544 40 00-01	HANDLEBAR ASSY		1
3	537 24 13-01	HANDLEBAR		1
4	537 29 29-01	BRACKET		1
5	511 79 75-01	HOLDER		1
6	504 80 03-01	TURNING KNOB		1
7	725 23 47-51	SCREW EHHM		1
8	725 53 25-55	SCREW IHSCM		1
9	575 96 06-01	NUT		2
10	537 17 29-01	COVER		1
11	537 17 28-01	HANDLE		1
12	503 20 02-45	SCREW IHSCFM		1
13	575 96 06-01	NUT		1
14	511 76 95-01	FLAT NOZZLE		1