



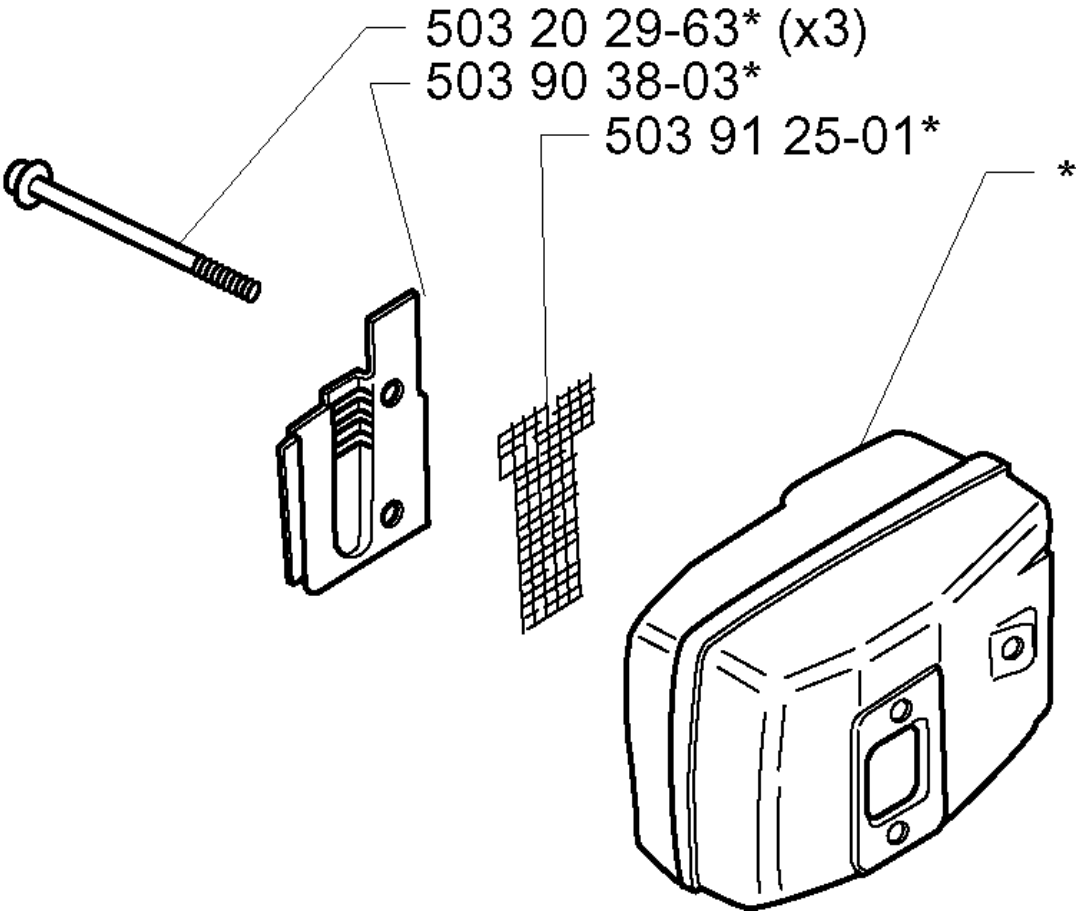
SPARE PARTS LIST

BLOWERS

225 HBV, 20000100001-Current

A

***compl 503 90 40-03**



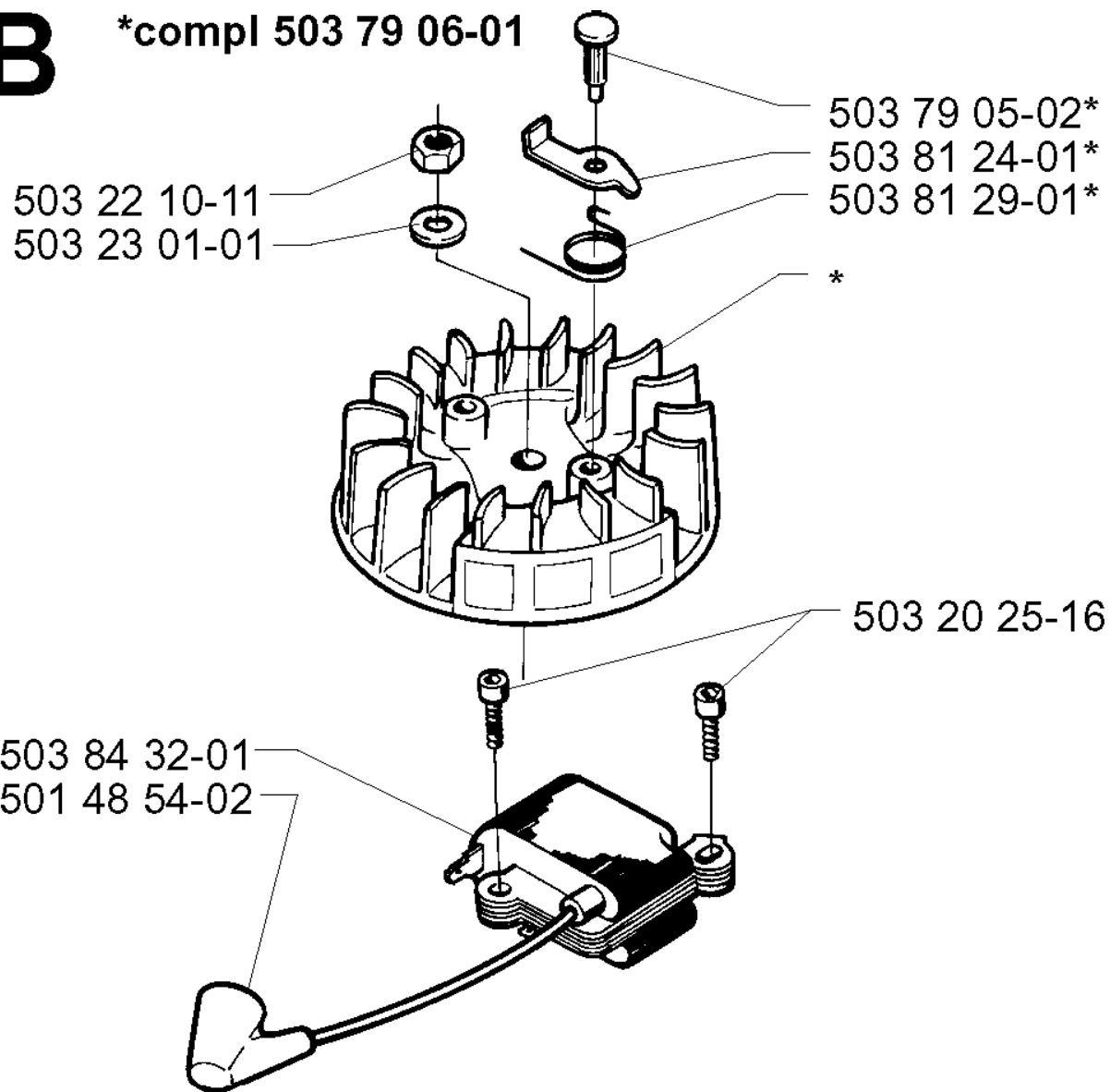
MUFFLER

225 HBV, 20000100001-Current

| Part No | Description | Remark | QTY KIT |
|--------------|-----------------------|--------|---------|
| 503 20 29-63 | SCREW IHSCFM | | 3 |
| 503 90 38-03 | EXHAUST DUCT | | 1 |
| 503 90 40-03 | MUFFLER ASSY | | 1 |
| 503 91 25-01 | SPARK ARRESTER SCREEN | | 1 |

B

***compl 503 79 06-01**

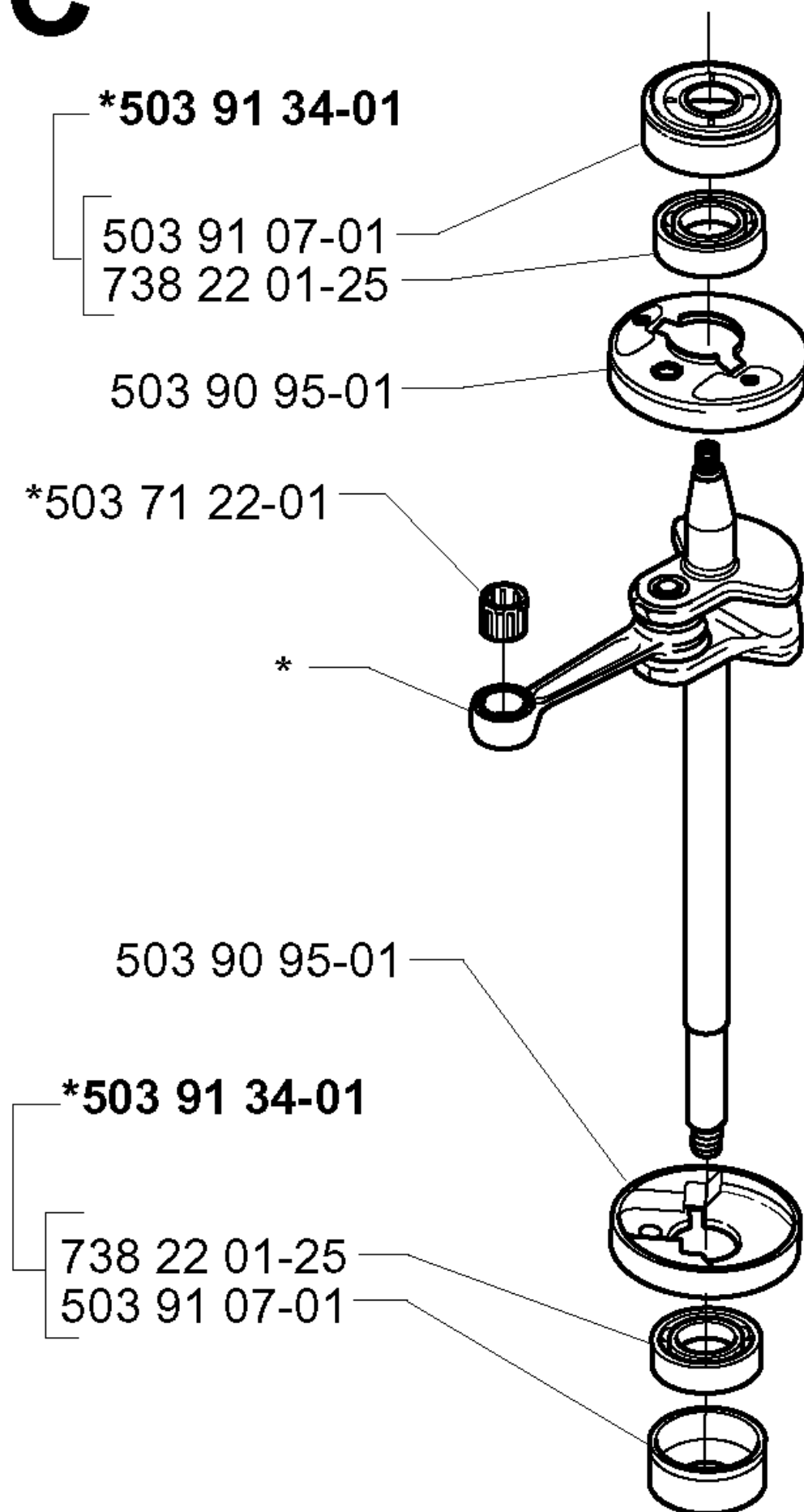


IGNITION SYSTEM

225 HBV, 20000100001-Current

| Part No | Description | Remark | QTY KIT |
|--------------|-----------------|--------|---------|
| 501 48 54-02 | SPARK PLUG CAP | | 1 |
| 503 20 25-16 | SCREW IHSCM | | 1 |
| 503 22 10-11 | HEXAGON NUT | | 1 |
| 503 23 01-01 | WASHER | | 1 |
| 503 79 05-02 | RIVET | | 1 |
| 503 79 06-01 | FLYWHEEL | | 1 |
| 503 81 24-01 | STARTER PAWL | | 1 |
| 503 81 29-01 | SPRING | | 1 |
| 503 84 32-01 | IGNITION MODULE | | 1 |

C *compl 503 93 46-01

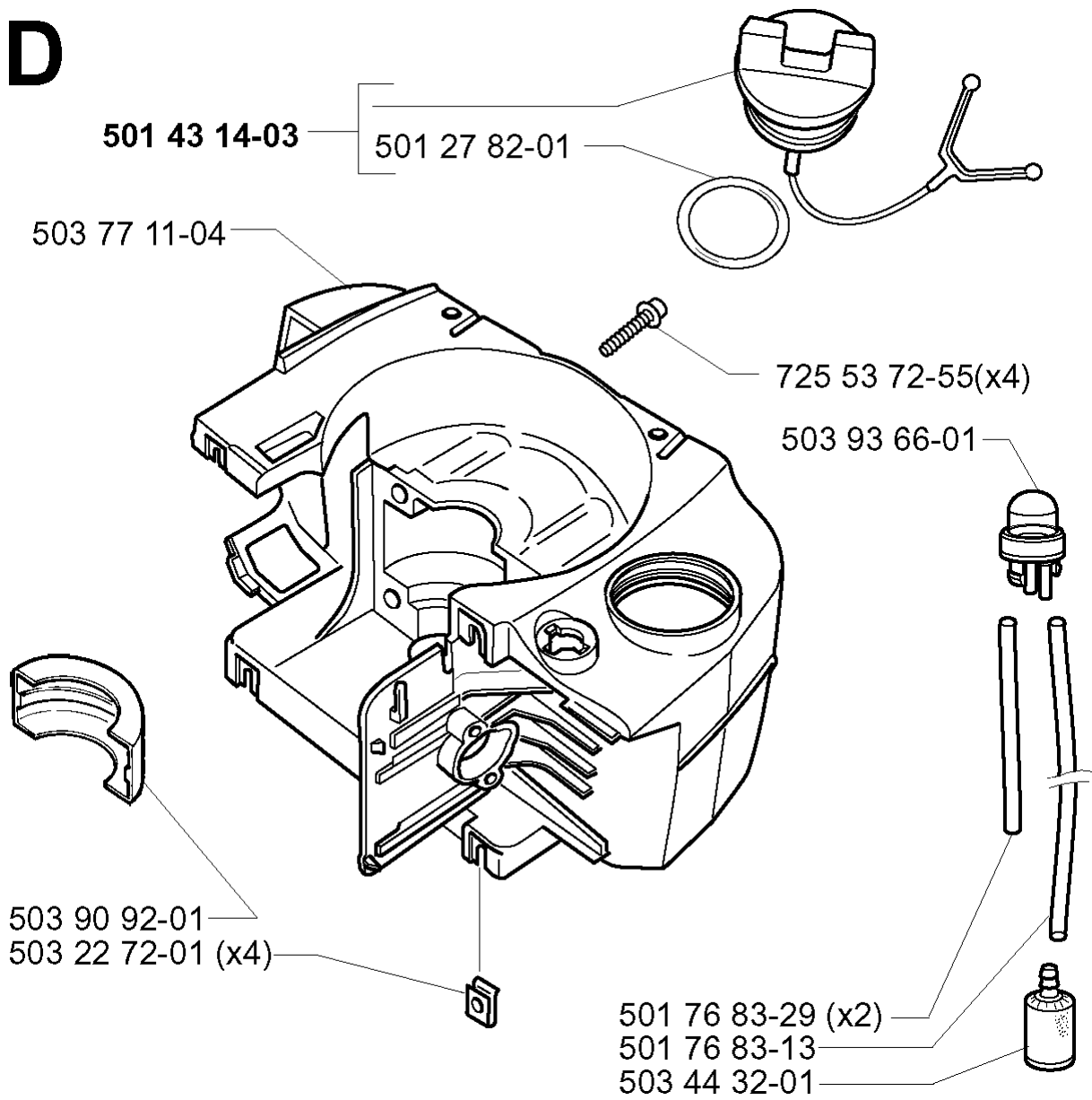


CRANKSHAFT

225 HBV, 20000100001-Current

| Part No | Description | Remark | QTY KIT |
|--------------|-----------------|--------|---------|
| 503 71 22-01 | BEARING | | 1 |
| 503 90 95-01 | CUP | | 1 |
| 503 90 95-01 | CUP | | 1 |
| 503 91 07-01 | BEARING CAGE | | 1 |
| 503 91 07-01 | BEARING CAGE | | 1 |
| 503 91 34-01 | BEARING CAGE | | 1 |
| 503 91 34-01 | BEARING CAGE | | 1 |
| 503 93 46-01 | CRANKSHAFT ASSY | | 1 |
| 738 22 01-25 | BALL BEARING | | 1 |
| 738 22 01-25 | BALL BEARING | | 1 |

D

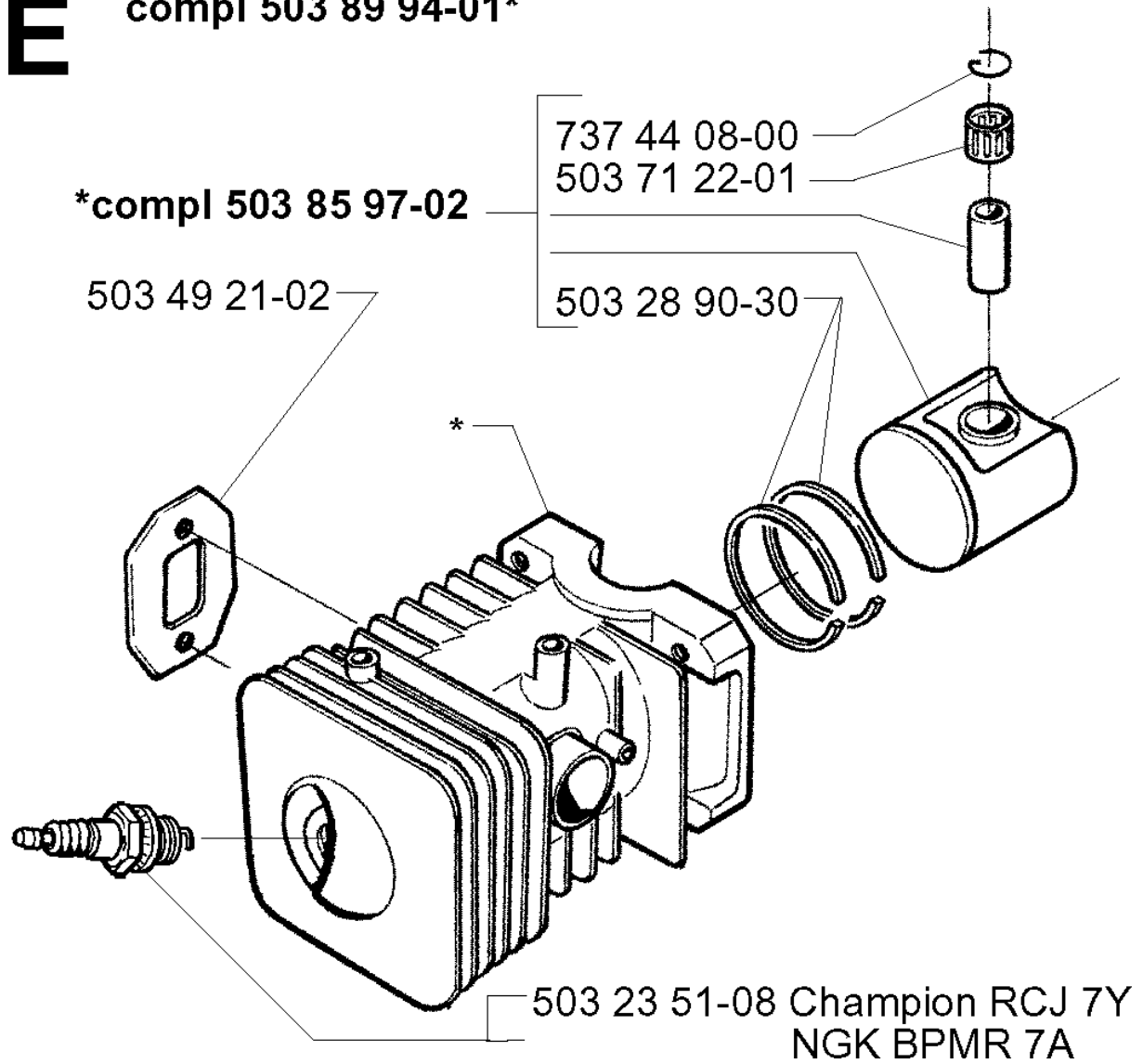


CRANKCASE

225 HBV, 20000100001-Current

| Part No | Description | Remark | QTY KIT |
|--------------|---------------|--------|---------|
| 501 27 82-01 | GASKET | | 1 |
| 501 43 14-03 | TANK CAP ASSY | | 1 |
| 501 76 83-13 | FUEL HOSE | | 1 |
| 501 76 83-29 | FUEL HOSE | | 2 |
| 503 22 72-01 | SPEED NUT | | 4 |
| 503 44 32-01 | FUEL FILTER | | 1 |
| 503 77 11-04 | CRANKCASE | | 1 |
| 503 90 92-01 | INSERT | | 1 |
| 503 93 66-01 | PURGE | | 1 |
| 725 53 72-55 | SCREW IHSCM | | 4 |

E compl 503 89 94-01*

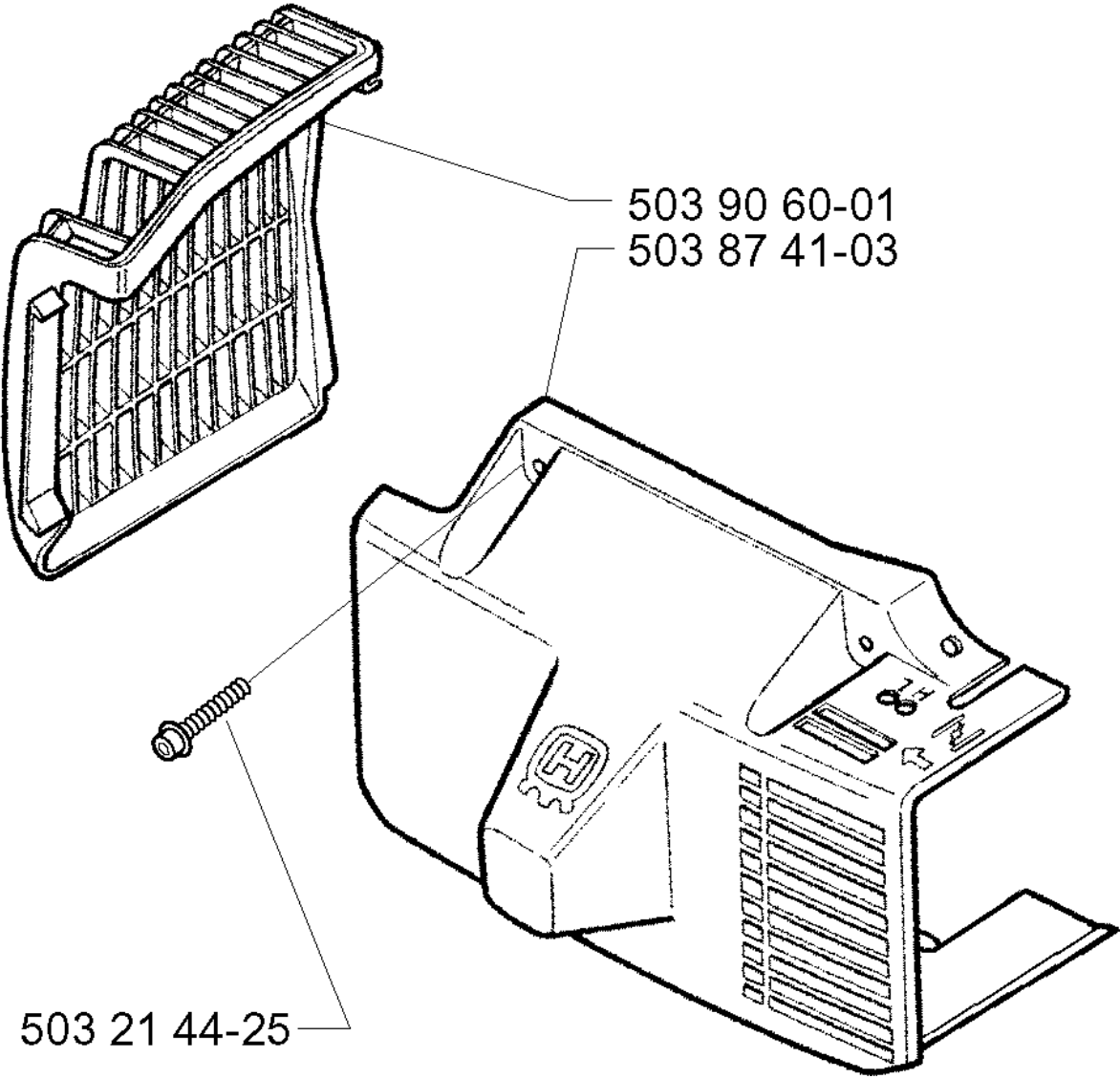


CYLINDER PISTON

225 HBV, 20000100001-Current

| Part No | Description | Remark | QTY KIT |
|--------------|---------------|--------------------------------|---------|
| 503 23 51-08 | SPARK PLUG | CHAMPION RCJ 7Y NGK BPMR 7A | 1 |
| 503 28 90-30 | PISTON RING | | 1 |
| 503 49 21-02 | GASKET | | 1 |
| 503 71 22-01 | BEARING | | 1 |
| 503 85 97-02 | PISTON ASSY | | 1 |
| 503 89 94-01 | CYLINDER ASSY | | 1 |
| 737 44 08-00 | CIRCLIP | | 1 |

F

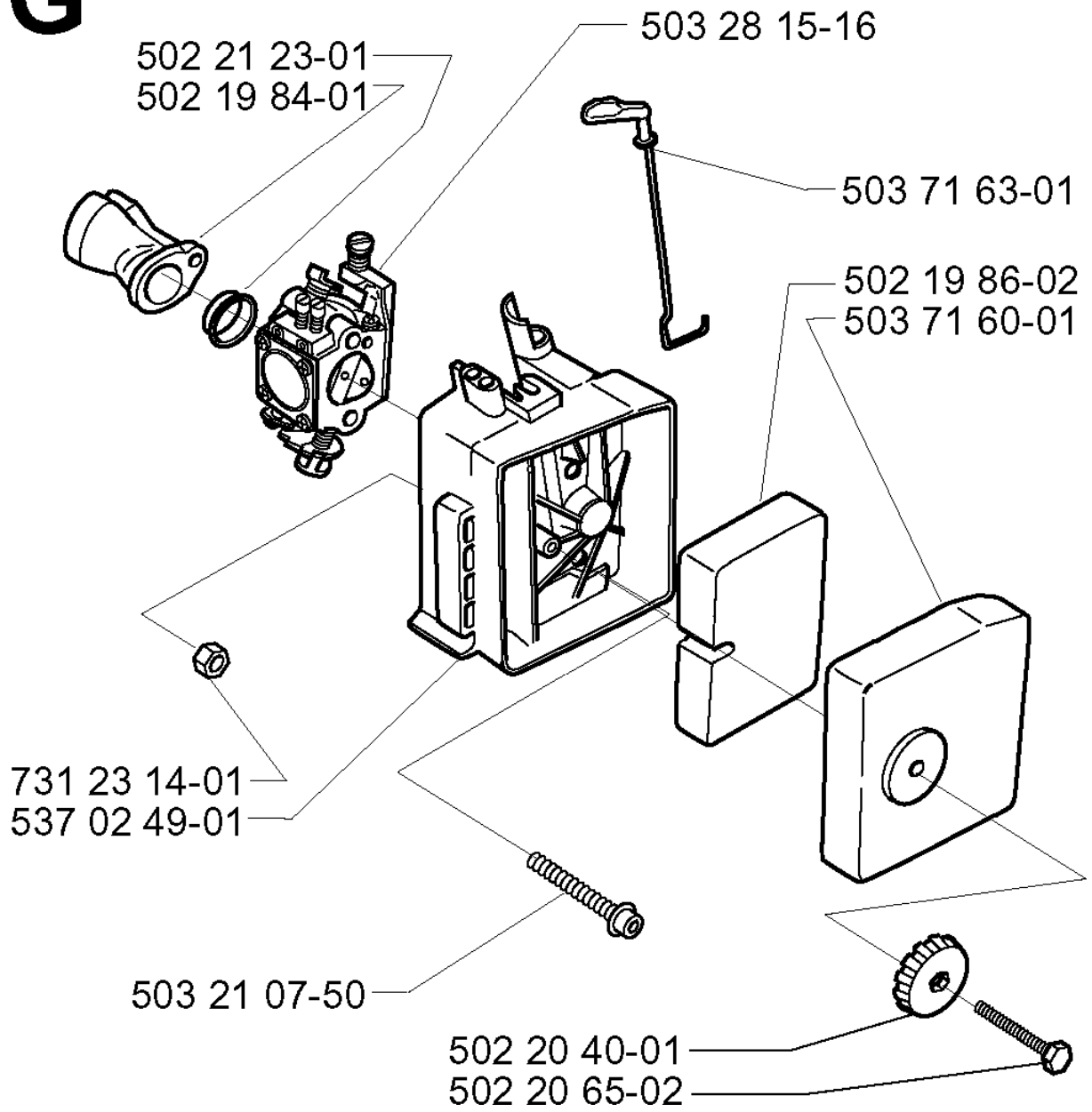


COVER

225 HBV, 20000100001-Current

| Part No | Description | Remark | QTY KIT |
|--------------|----------------|--------|---------|
| 503 21 44-25 | SCREW IHSCFTO | | 1 |
| 503 87 41-03 | CYLINDER COVER | | 1 |
| 503 90 60-01 | HEAT PROTECTOR | | 1 |

G

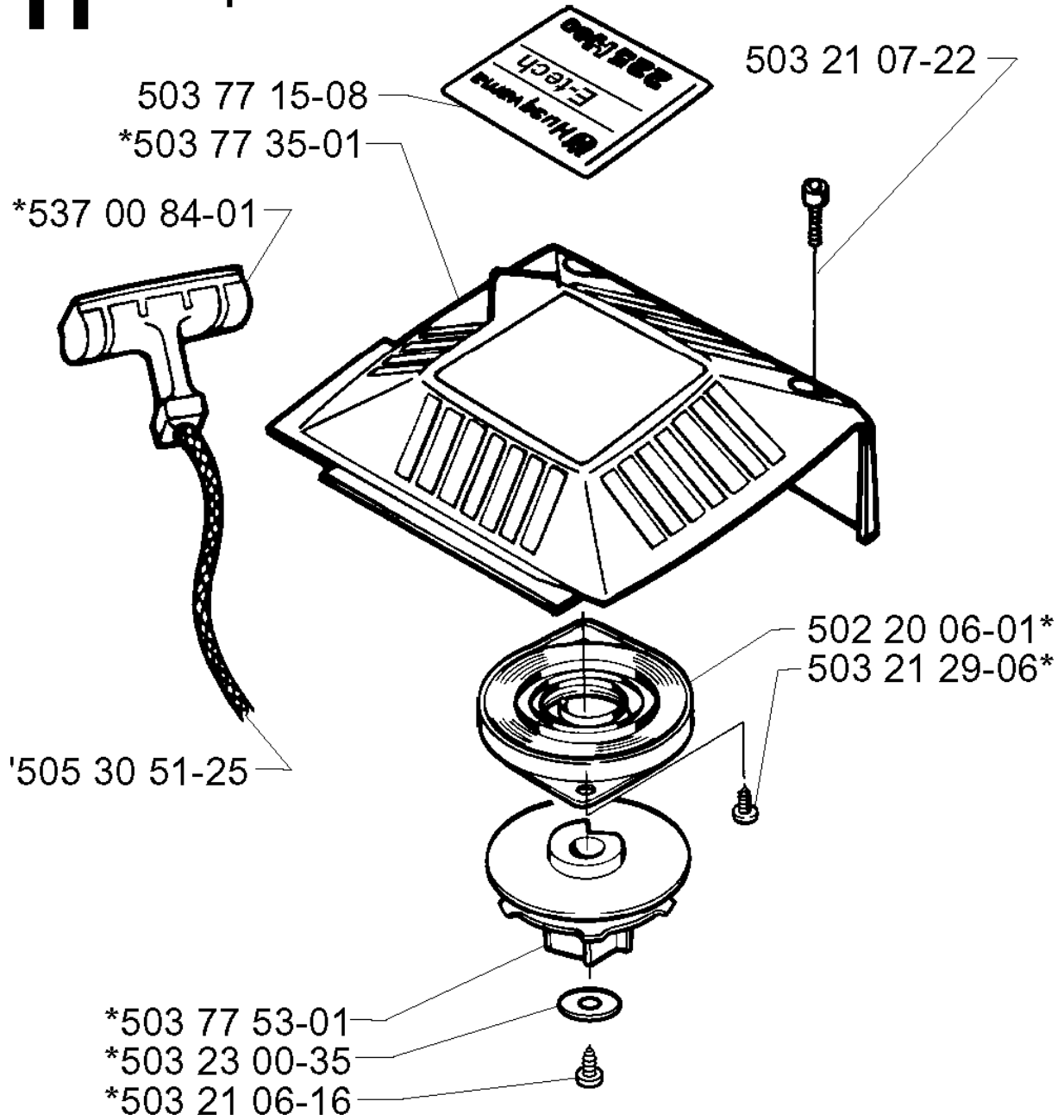


CARBURETOR & AIR FILTER

225 HBV, 20000100001-Current

| Part No | Description | Remark | QTY KIT |
|--------------|---------------|--------|---------|
| 502 19 84-01 | INLET PIPE | | 1 |
| 502 19 86-02 | AIR FILTER | | 1 |
| 502 20 40-01 | KNOB | | 1 |
| 502 20 65-02 | SCREW EHHM | | 1 |
| 502 21 23-01 | SUPPORT RING | | 1 |
| 503 21 07-50 | SCREW IHSCFT | | 1 |
| 503 28 15-16 | CARBURETTOR | | 1 |
| 503 71 60-01 | FILTER COVER | | 1 |
| 503 71 63-01 | CHOKE CONTROL | | 1 |
| 537 02 49-01 | FILTER HOLDER | | 1 |
| 731 23 14-01 | HEXAGON NUT | | 1 |

H *compl 503 77 34-01

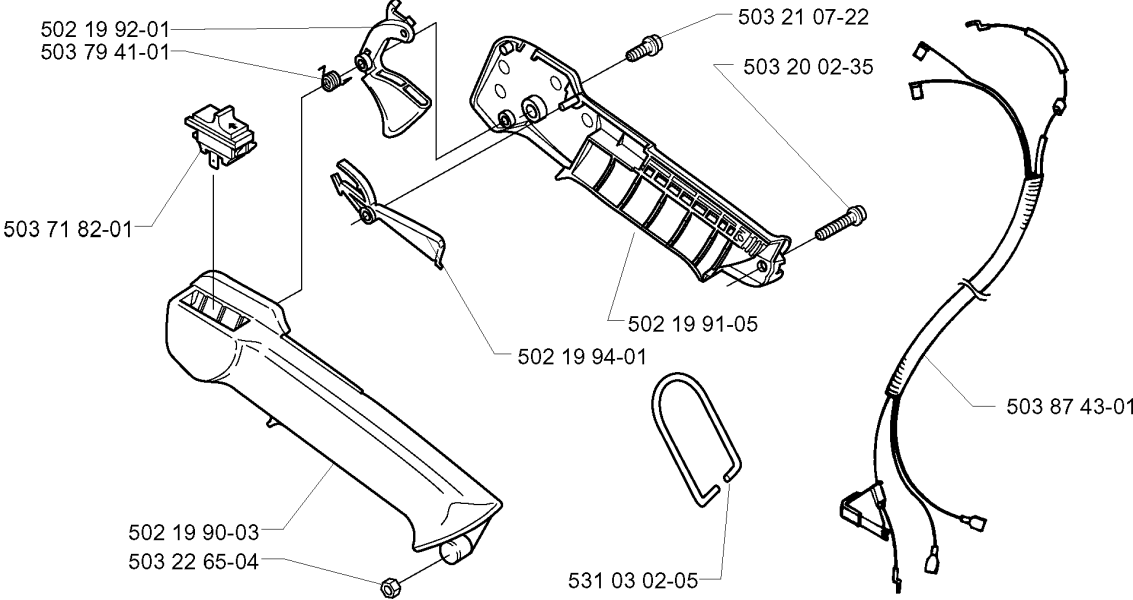


STARTER

225 HBV, 20000100001-Current

| Part No | Description | Remark | QTY KIT |
|--------------|----------------------|--------|---------|
| 502 20 06-01 | SPRING CASSETTE ASSY | | 1 |
| 503 21 06-16 | SCREW IHSCT | | 1 |
| 503 21 07-22 | SCREW IHSCT | | 1 |
| 503 21 29-06 | SCREW CCRPANT | | 1 |
| 503 23 00-35 | WASHER | | 1 |
| 503 77 15-08 | LABEL | | 1 |
| 503 77 34-01 | STARTER | | 1 |
| 503 77 35-01 | STARTER HOUSING | | 1 |
| 503 77 53-01 | STARTER PULLEY | | 1 |
| 505 30 51-25 | STARTER CORD | | 1 |
| 537 00 84-01 | STARTER HANDLE | | 1 |

J

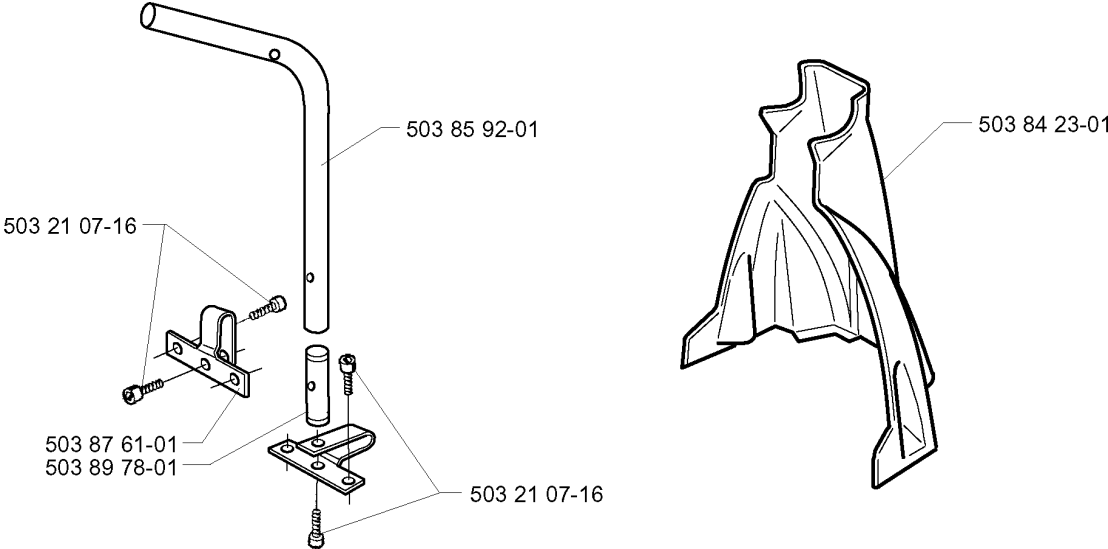


HANDLE & CONTROLS

225 HBV, 20000100001-Current

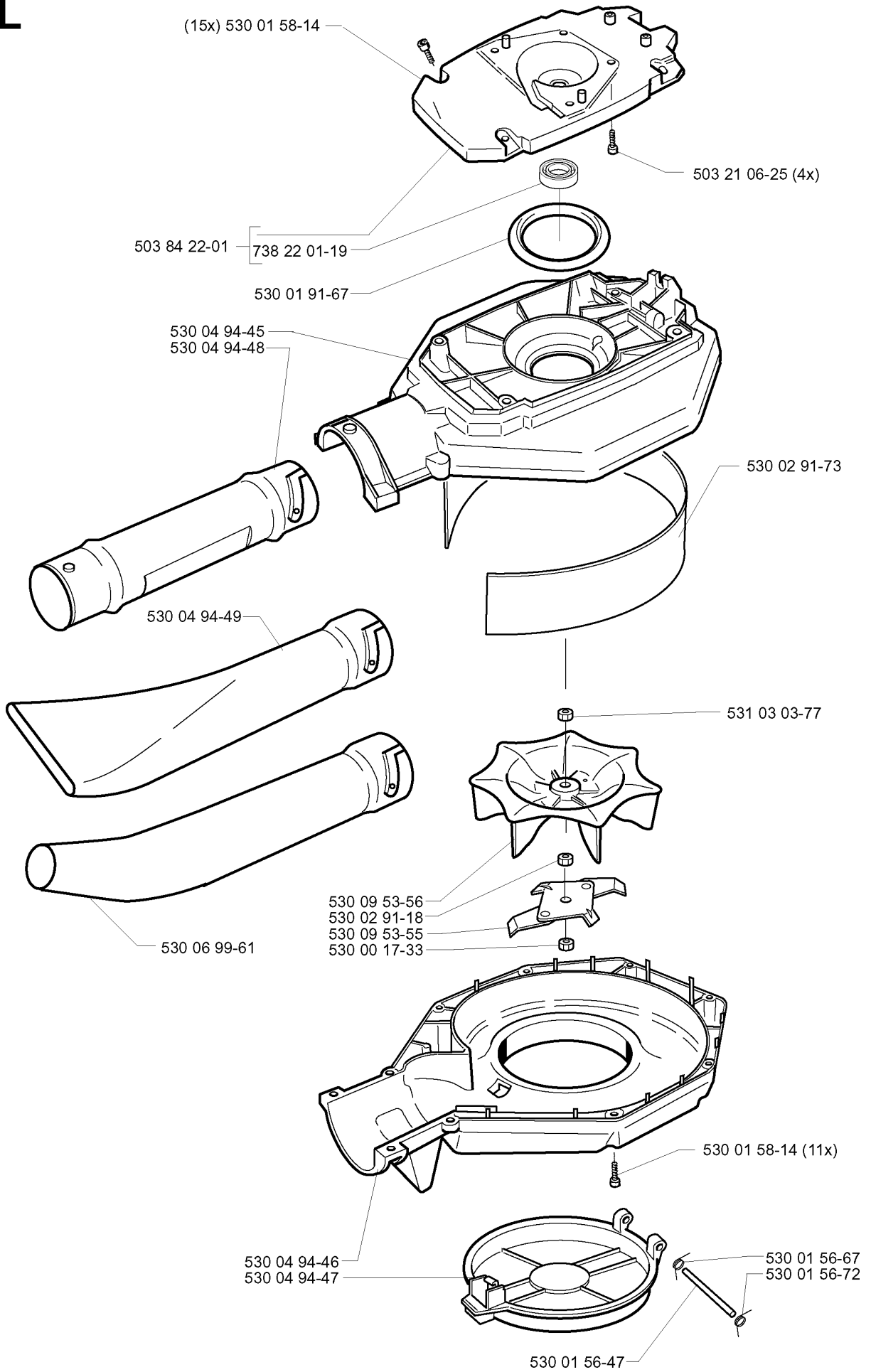
| Part No | Description | Remark | QTY KIT |
|--------------|------------------|--------|---------|
| 502 19 90-03 | HANDLE HALF | | 1 |
| 502 19 91-05 | HANDLE HALF | | 1 |
| 502 19 92-01 | THROTTLE TRIGGER | | 1 |
| 502 19 94-01 | THROTTLE LOCKOUT | | 1 |
| 503 20 02-35 | SCREW IHSCFM | | 1 |
| 503 21 07-22 | SCREW IHSCT | | 1 |
| 503 22 65-04 | SQUARE NUT | | 1 |
| 503 71 82-01 | SWITCH | | 1 |
| 503 79 41-01 | RECOIL SPRING | | 1 |
| 503 87 43-01 | WIRING | | 1 |
| 531 03 02-05 | SUSPENSION BAIL | | 1 |

K



| Part No | Description | Remark | QTY KIT |
|--------------|-----------------------|--------|---------|
| 503 21 07-16 | SCREW IHST | | 1 |
| 503 21 07-16 | SCREW IHST | | 1 |
| 503 84 23-01 | COVER | | 1 |
| 503 85 92-01 | PIPE | | 1 |
| 503 87 61-01 | ANTIVIBRATION ELEMENT | | 1 |
| 503 89 78-01 | BRACKET | | 1 |

L



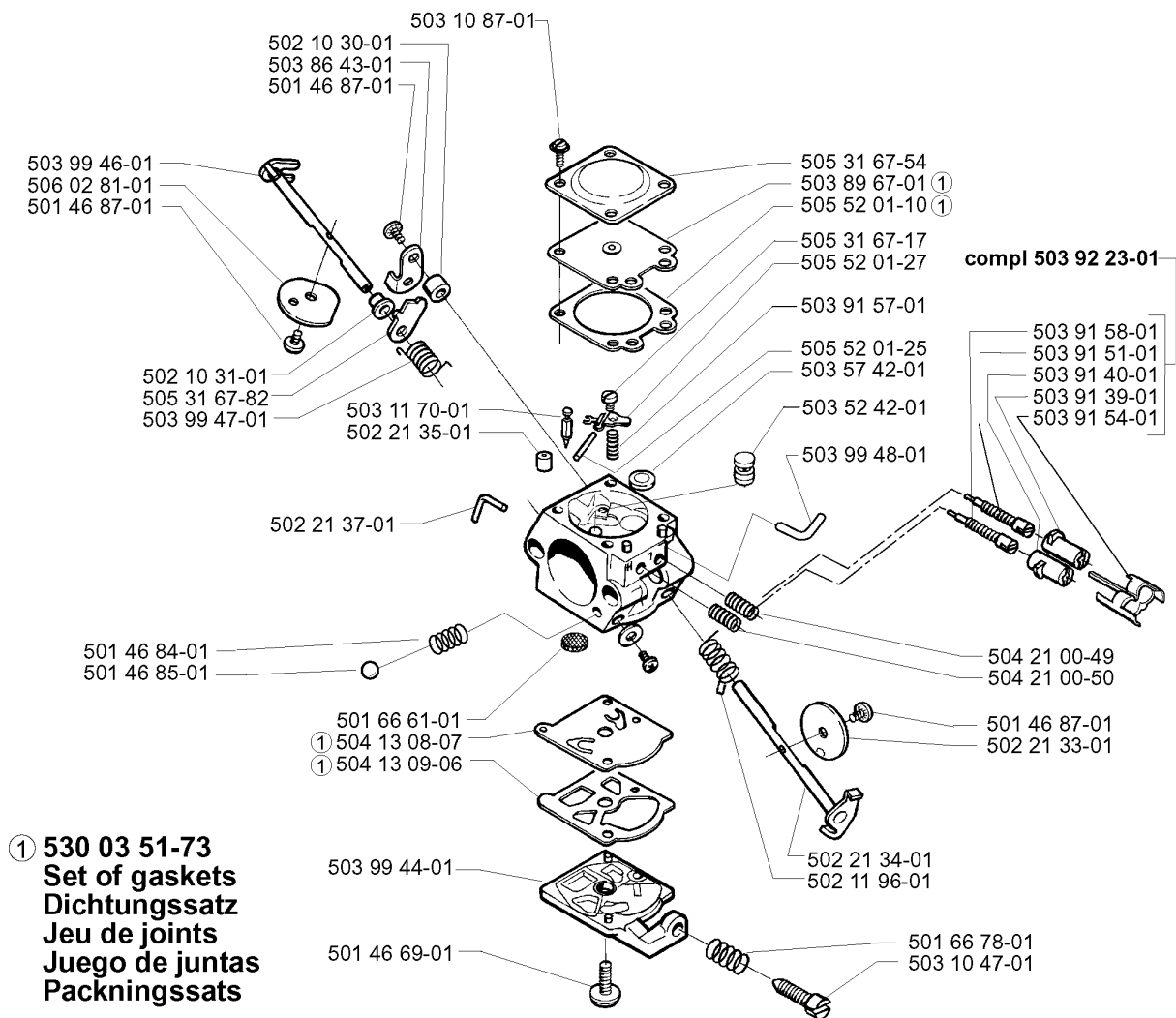
FAN

225 HBV, 20000100001-Current

| Part No | Description | Remark | QTY KIT |
|--------------|------------------|--------|---------|
| 503 21 06-25 | SCREW IHSCFT | | 4 |
| 503 84 22-01 | COVER | | 1 |
| 530 00 17-33 | NUT | | 1 |
| 530 01 56-47 | PEN | | 1 |
| 530 01 56-67 | SPRING | | 1 |
| 530 01 56-72 | SPRING | | 1 |
| 530 01 58-14 | SCREW | 15X | 1 |
| 530 01 58-14 | SCREW | 11X | 1 |
| 530 01 91-67 | O-RING | | 1 |
| 530 02 91-18 | HUB | | 1 |
| 530 02 91-73 | BAND | | 1 |
| 530 04 94-45 | FAN HOUSING | | 1 |
| 530 04 94-46 | FAN HOUSING | | 1 |
| 530 04 94-47 | INLET COVER | | 1 |
| 530 04 94-48 | TUBE | | 1 |
| 530 04 94-49 | NOZZLE | | 1 |
| 530 06 99-61 | TUBE | | 1 |
| 530 09 53-55 | MULCH BLADE ASSY | | 1 |
| 530 09 53-56 | IMPELLER | | 1 |
| 531 03 03-77 | SPACER | | 1 |
| 738 22 01-19 | BALL BEARING | | 1 |

M

compl 503 28 15-16 Walbro WT 500B

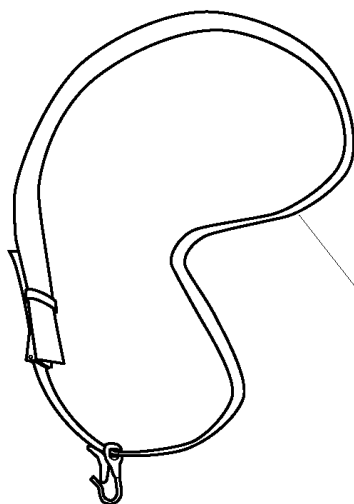


CARBURETOR DETAILS

225 HBV, 20000100001-Current

| Part No | Description | Remark | QTY KIT |
|--------------|--------------------|--------------------------------|---------|
| 501 46 69-01 | SCREW | | 1 |
| 501 46 84-01 | SPRING | | 1 |
| 501 46 85-01 | BALL | | 1 |
| 501 46 87-01 | SCREW | | 1 |
| 501 46 87-01 | SCREW | | 1 |
| 501 46 87-01 | SCREW | | 1 |
| 501 66 61-01 | SCREEN | | 1 |
| 501 66 78-01 | SPRING | | 1 |
| 502 10 30-01 | DISTANCE | | 1 |
| 502 10 31-01 | BUSHING | | 1 |
| 502 11 96-01 | RECOIL SPRING | | 1 |
| 502 21 33-01 | VALVE THROTTLE | | 1 |
| 502 21 34-01 | SHAFT ASS THROTTLE | | 1 |
| 502 21 35-01 | SEAT INLET VALVE | | 1 |
| 502 21 37-01 | FITTING | | 1 |
| 503 10 47-01 | SCREW | | 1 |
| 503 10 87-01 | SCREW | | 1 |
| 503 11 70-01 | NEEDLE VALVE | | 1 |
| 503 28 15-16 | CARBURETTOR | WALBRO WT 500B | 1 |
| 503 52 42-01 | NOZZLE ASSY | | 1 |
| 503 57 42-01 | PLUG | | 1 |
| 503 86 43-01 | LEVER | | 1 |
| 503 89 67-01 | DIAPHRAGM | 530 03 51-73 SET OF GASKETS | 1 |
| 503 91 39-01 | LIMITER CAP | | 1 |
| 503 91 40-01 | LIMITER CAP | | 1 |
| 503 91 51-01 | NEEDLE | | 1 |
| 503 91 54-01 | RETAINER | | 1 |
| 503 91 57-01 | SPRING | | 1 |
| 503 91 58-01 | NEEDLE | | 1 |
| 503 92 23-01 | LIMITER CAP | | 1 |
| 503 99 44-01 | COVER | | 1 |
| 503 99 46-01 | SHAFT ASSY | | 1 |
| 503 99 47-01 | SPRING | | 1 |
| 503 99 48-01 | FITTING | | 1 |
| 504 13 08-07 | DIAPHRAGM PUMP | 530 03 51-73 SET OF GASKETS | 1 |
| 504 13 09-06 | GASKET | 530 03 51-73 SET OF GASKETS | 1 |
| 504 21 00-49 | SPRING | | 1 |
| 504 21 00-50 | SPRING | | 1 |
| 505 31 67-17 | SCREW | | 1 |
| 505 31 67-54 | LOCK STYRMEMBRAN | | 1 |
| 505 31 67-82 | LEVER | | 1 |
| 505 52 01-10 | GASKET | 530 03 51-73 SET OF GASKETS | 1 |
| 505 52 01-25 | PIN | | 1 |
| 505 52 01-27 | LEVER | | 1 |
| 506 02 81-01 | VALVE | | 1 |

N Accessories
Zubehöre
Accessoires
Acessorios
Tillbehör



503 74 16-01
503 74 16-02 (USA)

ACCESSORIES

225 HBV, 20000100001-Current

| Part No | Description | Remark | QTY KIT |
|--------------|--------------|--------|---------|
| 503 74 16-01 | HARNESS ASSY | | 1 |
| 503 74 16-02 | HARNESS ASSY | USA | 1 |