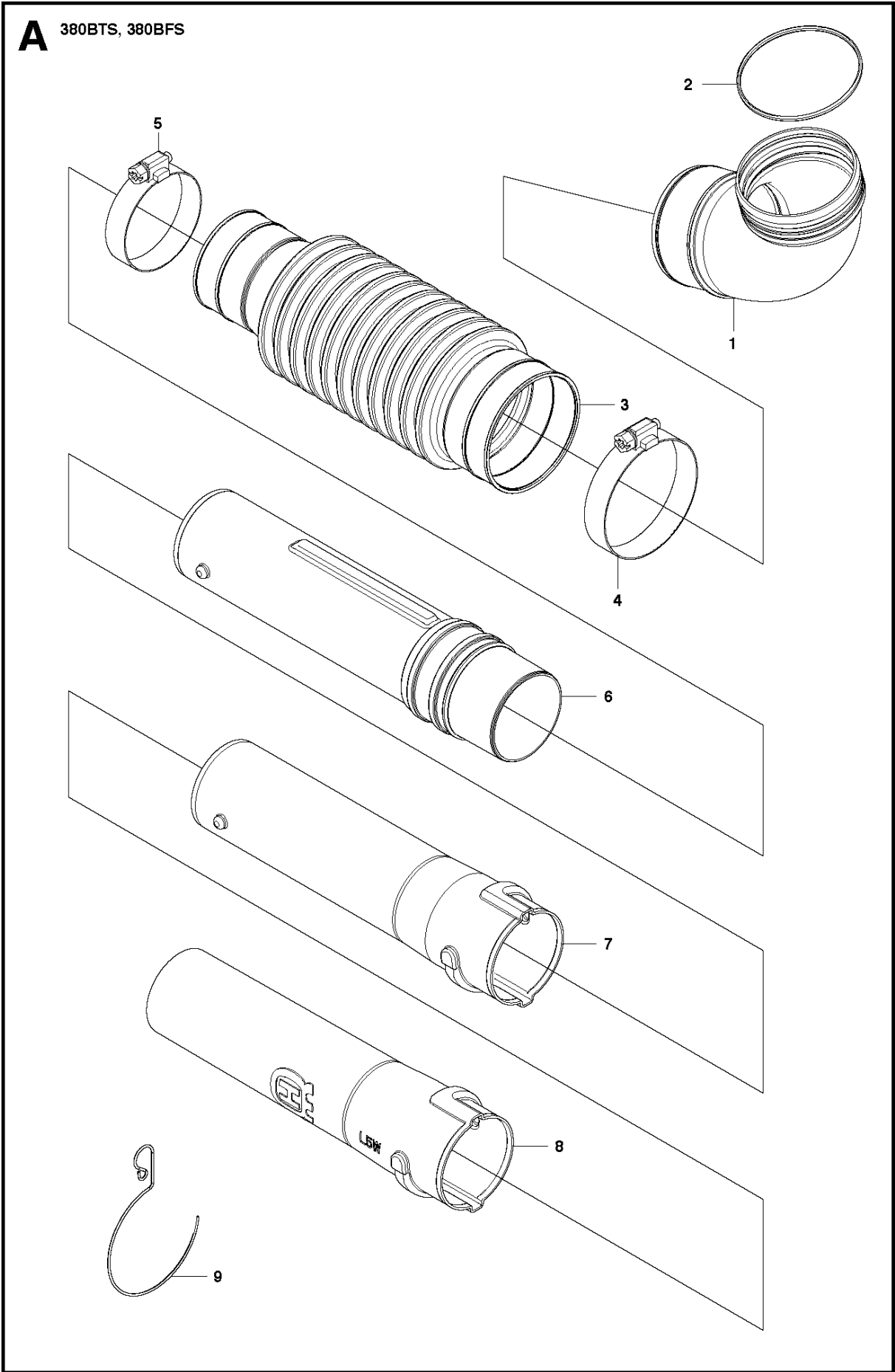




SPARE PARTS LIST

BLOWERS

380 BFS, 2009-03

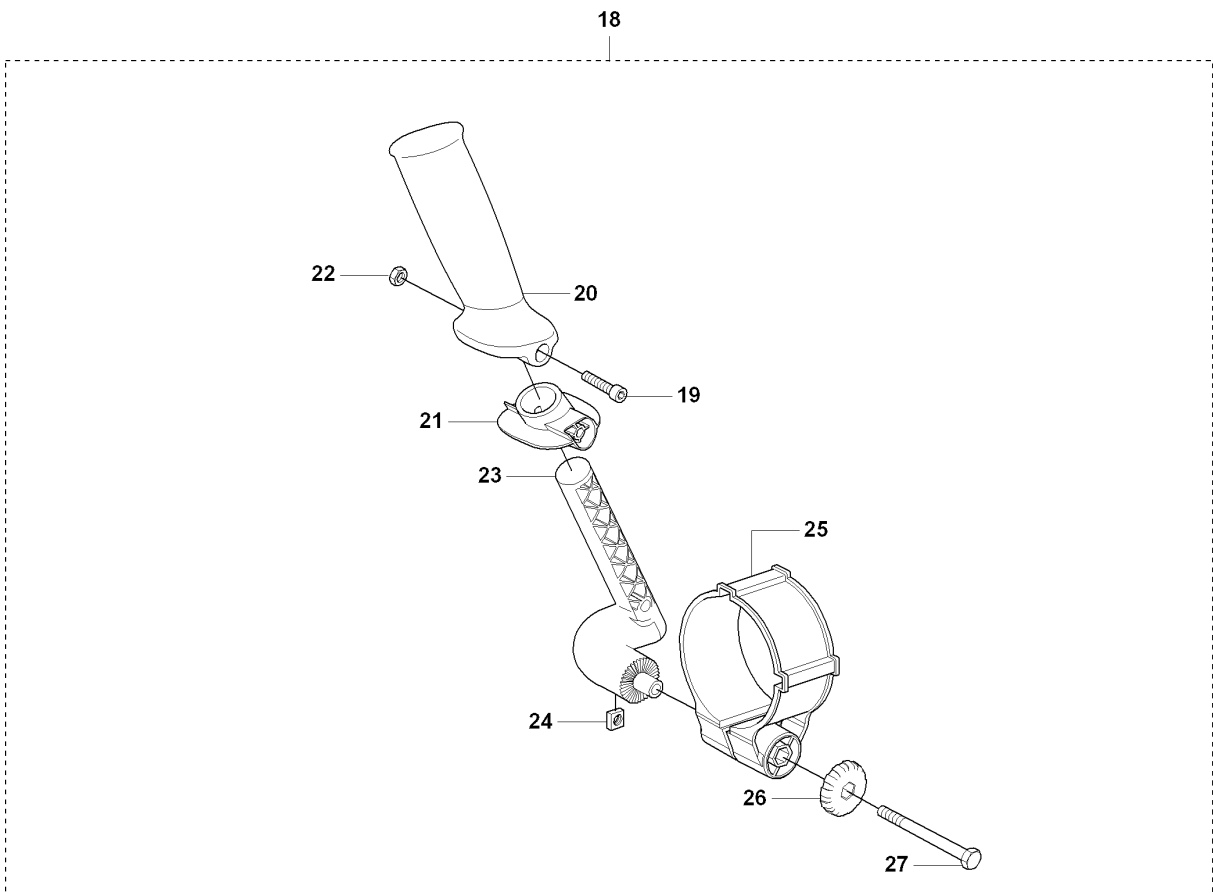
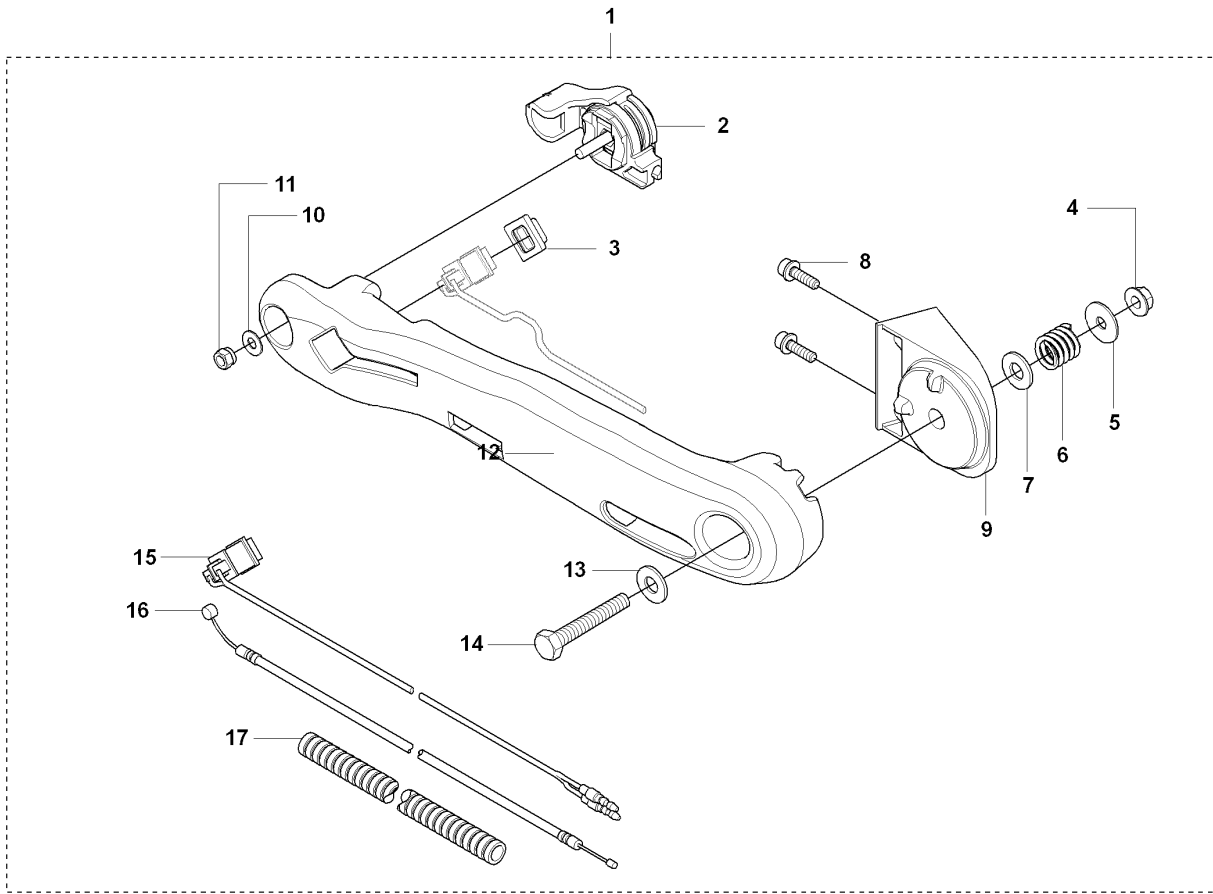


TUBE

380 BFS, 2009-03

| Ref | Part No | Description | Remark | QTY KIT |
|-----|--------------|-------------|--------|---------|
| 1 | 505 18 08-01 | TUBE | | 1 |
| 2 | 505 17 98-01 | O-RING | | 1 |
| 3 | 505 18 09-01 | HOSE | | 1 |
| 4 | 544 27 41-01 | CLAMP | | 1 |
| 5 | 544 27 40-01 | CLAMP | | 1 |
| 6 | 505 18 11-01 | SWIVEL | | 1 |
| 7 | 544 27 38-01 | PIPE | | 2 |
| 8 | 505 18 13-01 | TUBE | | 1 |
| 9 | 544 27 60-01 | CLAMP | | 1 |

B2 380BFS

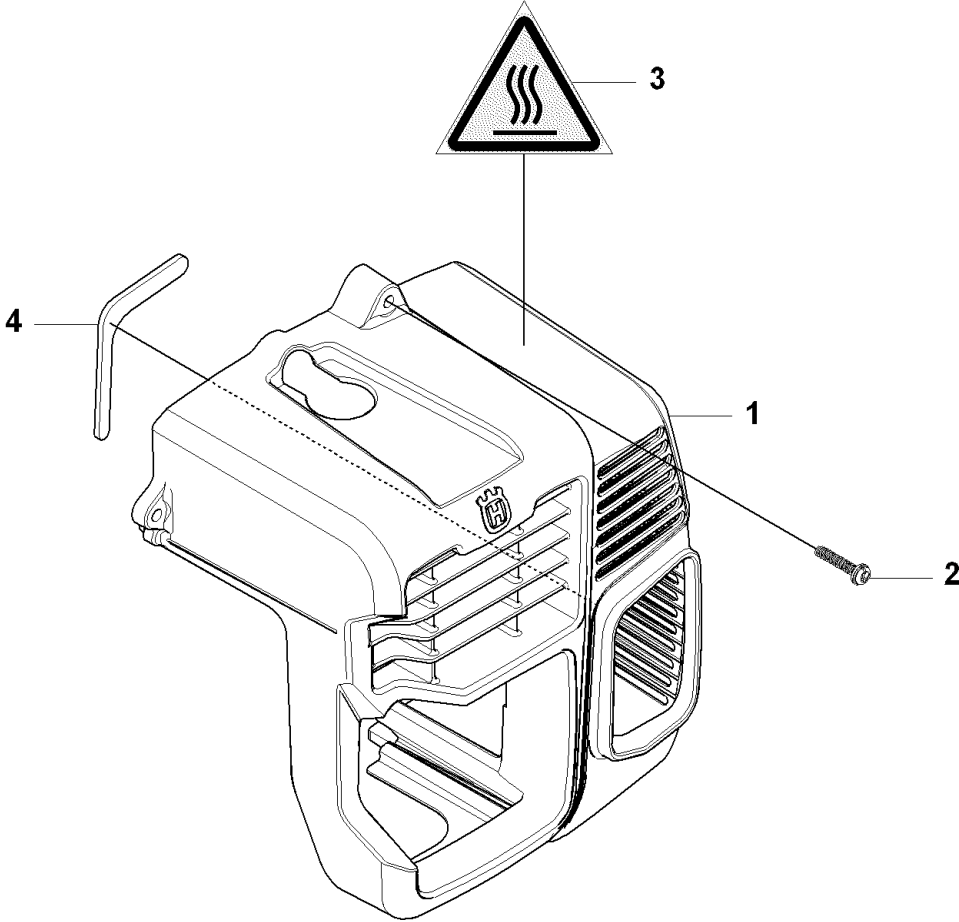


HANDLE & CONTROLS

380 BFS, 2009-03

| Ref | Part No | Description | Remark | QTY KIT |
|-----|--------------|--------------|--------|---------|
| 1 | 544 27 62-01 | LEVER | | 1 |
| 2 | 544 27 63-01 | LEVER | | 1 |
| 3 | 544 27 74-01 | HUB CAP | | 1 |
| 4 | 544 27 71-01 | NUT | | 1 |
| 5 | 544 27 70-01 | WASHER | | 1 |
| 6 | 544 27 69-01 | SPRING | | 1 |
| 7 | 544 27 72-01 | WASHER | | 1 |
| 8 | 544 36 58-01 | SCREW | | 2 |
| 9 | 544 27 67-01 | BRACKET | | 1 |
| 10 | 544 27 65-01 | WASHER | | 1 |
| 11 | 544 27 64-01 | NUT | | 1 |
| 12 | 544 27 66-01 | ARM | | 1 |
| 13 | 544 27 72-01 | WASHER | | 1 |
| 14 | 544 27 68-01 | BOLT | | 1 |
| 15 | 544 27 73-01 | SWITCH | | 1 |
| 16 | 544 27 75-01 | CABLE | | 1 |
| 17 | 544 27 76-01 | TUBE | | 1 |
| 18 | 544 27 77-01 | GRIP | | 1 |
| 19 | 503 20 07-45 | SCREW IHSCFM | | 1 |
| 20 | 537 17 28-01 | HANDLE | | 1 |
| 21 | 537 17 29-01 | COVER | | 1 |
| 22 | 731 23 14-01 | HEXAGON NUT | | 1 |
| 23 | 537 26 02-01 | STAY | | 1 |
| 24 | 503 22 65-04 | SQUARE NUT | | 1 |
| 25 | 544 27 59-01 | HOLDER | | 1 |
| 26 | 502 20 40-01 | KNOB | | 1 |
| 27 | 725 23 44-51 | SCREW EHHM | | 1 |

C 380BTS, 380BFS

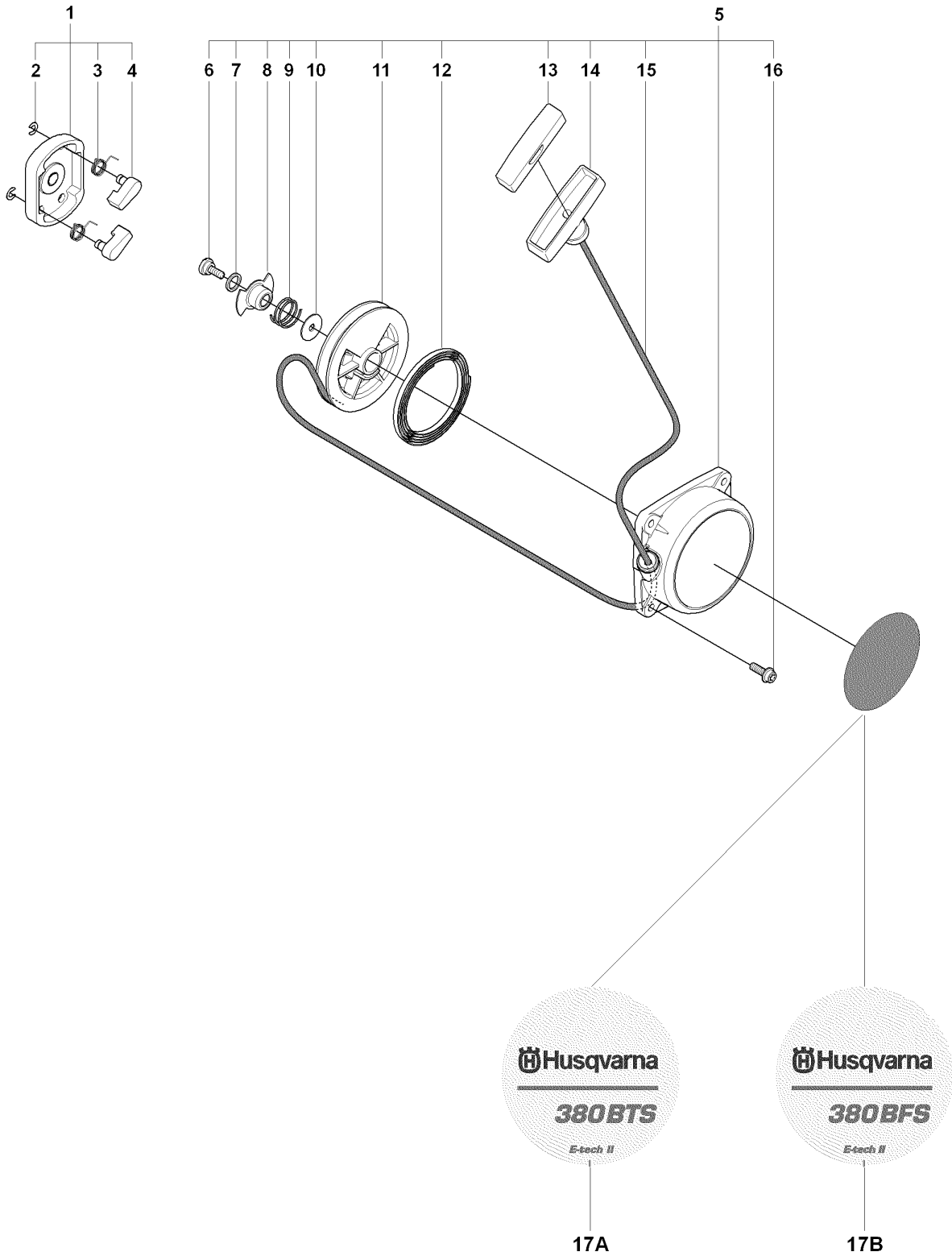


CYLINDER COVER

380 BFS, 2009-03

| Ref | Part No | Description | Remark | QTY KIT |
|-----|--------------|--------------|--------|---------|
| 1 | 505 18 20-01 | ENGINE COVER | | 1 |
| 2 | 544 26 36-01 | SCREW | | 4 |
| 3 | 544 36 34-01 | LABEL | | 1 |
| 4 | 505 18 21-01 | TAPE | | 1 |

D 380BTS, 380BFS

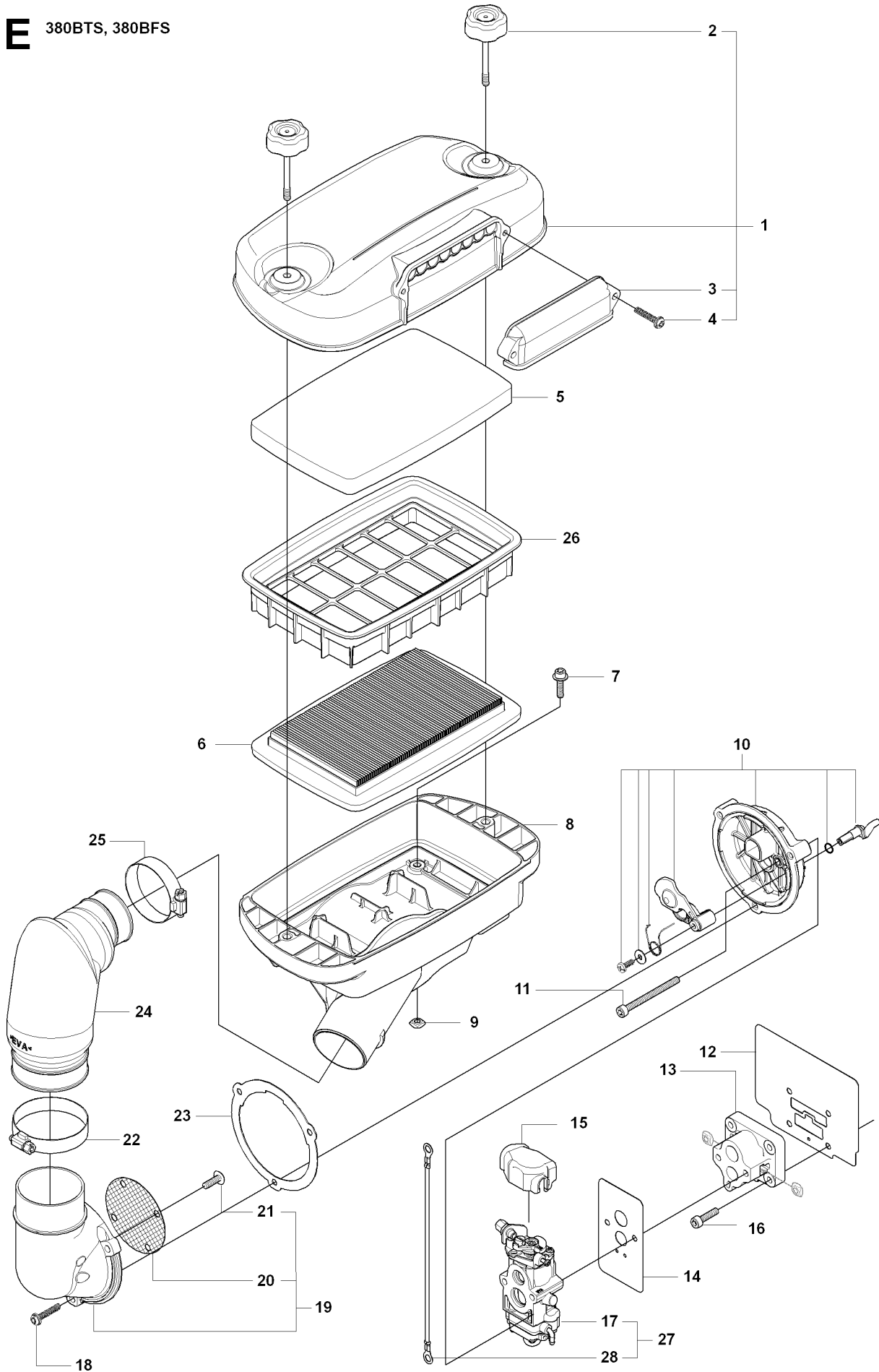


STARTER

380 BFS, 2009-03

| Ref | Part No | Description | Remark | QTY KIT |
|-----|--------------|--------------|--------|---------|
| 1 | 544 26 27-01 | PULLEY | | 1 |
| 2 | 544 26 30-01 | E-CLIP | | 2 |
| 3 | 544 26 29-01 | SPRING | | 2 |
| 4 | 544 26 28-01 | STARTER PAWL | | 2 |
| 5 | 544 26 10-01 | STARTER ASSY | | 1 |
| 6 | 544 26 13-01 | SCREW | | 1 |
| 7 | 544 26 17-01 | WASHER | | 1 |
| 8 | 544 26 20-01 | PLATE | | 1 |
| 9 | 544 26 19-01 | SPRING | | 1 |
| 10 | 544 26 18-01 | WASHER | | 1 |
| 11 | 544 26 11-01 | REEL | | 1 |
| 12 | 544 26 12-01 | SPRING | | 1 |
| 13 | 544 26 16-01 | COVER | | 1 |
| 14 | 544 26 15-01 | KNOB | | 1 |
| 15 | 544 26 14-01 | STARTER CORD | | 1 |
| 16 | 544 26 31-01 | BOLT | | 4 |

E 380BTS, 380BFS

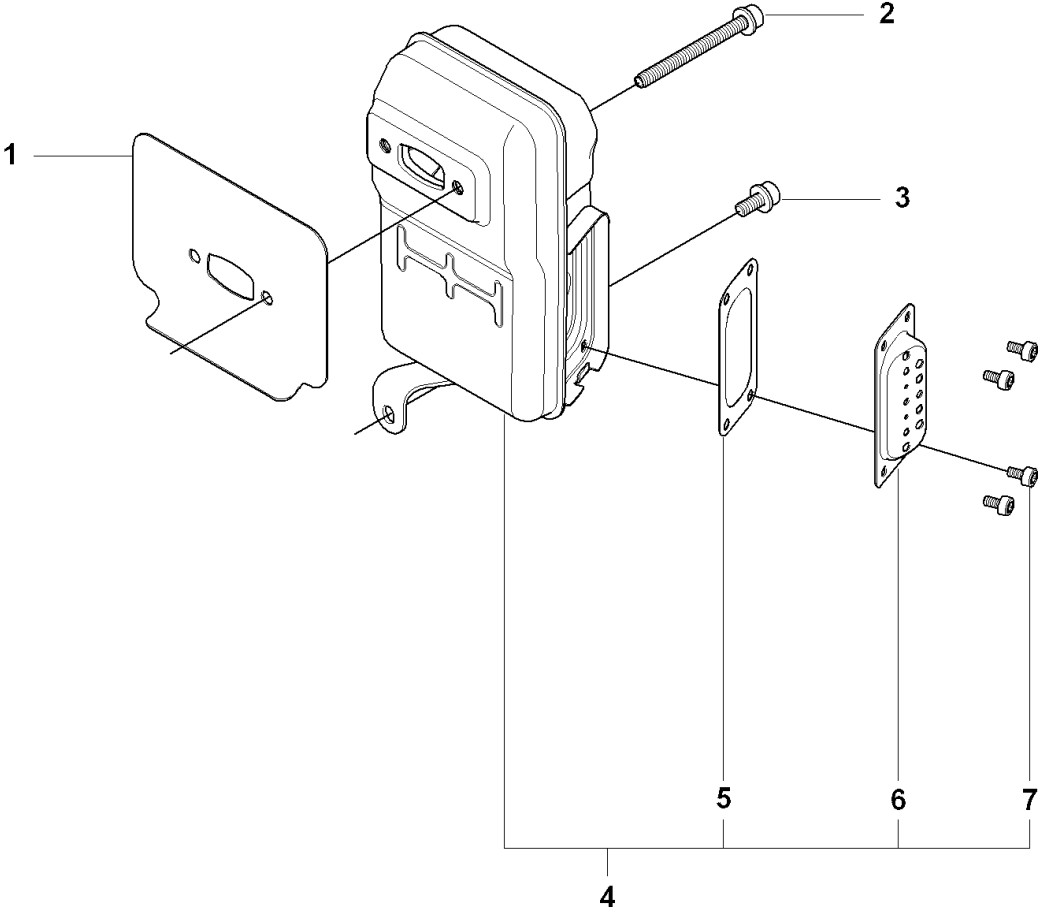


CARBURETOR & AIR FILTER

380 BFS, 2009-03

| Ref | Part No | Description | Remark | QTY KIT |
|-----|--------------|------------------|--------|---------|
| 1 | 505 18 22-01 | COVER | | 1 |
| 2 | 505 18 23-01 | KNOB | | 2 |
| 3 | 544 27 13-01 | COVER | | 1 |
| 4 | 544 26 36-01 | SCREW | | 2 |
| 5 | 544 27 16-01 | AIR FILTER | | 1 |
| 6 | 544 27 15-01 | AIR FILTER | | 1 |
| 7 | 544 27 20-01 | BOLT | | 4 |
| 8 | 505 18 25-01 | BODY | | 1 |
| 9 | 505 18 26-01 | NUT | | 4 |
| 10 | 505 18 29-01 | CUP | | 1 |
| 11 | 544 26 32-01 | BOLT | | 2 |
| 12 | 544 25 71-01 | GASKET | | 1 |
| 13 | 544 25 69-01 | INSULATING PIECE | | 1 |
| 14 | 544 25 72-01 | GASKET | | 1 |
| 15 | 544 26 38-01 | COVER | | 1 |
| 16 | 544 25 70-01 | BOLT | | 4 |
| 17 | 505 18 31-01 | CARBURETTOR | | 1 |
| 18 | 544 26 36-01 | SCREW | | 3 |
| 19 | 544 26 33-01 | COVER | | 1 |
| 20 | 544 26 34-01 | SCREEN | | 1 |
| 21 | 544 26 35-01 | SCREW | | 2 |
| 22 | 544 27 19-01 | CLAMP | | 1 |
| 23 | 544 26 37-01 | GASKET | | 1 |
| 24 | 505 18 28-01 | HOSE | | 1 |
| 25 | 544 27 19-01 | CLAMP | | 1 |
| 26 | 505 18 24-01 | CASSETTE | | 1 |
| 27 | 505 18 30-01 | CARBURETTOR | | 1 |
| 28 | 505 18 32-01 | CORD | | 1 |

F 380BTS, 380BFS



MUFFLER

380 BFS, 2009-03

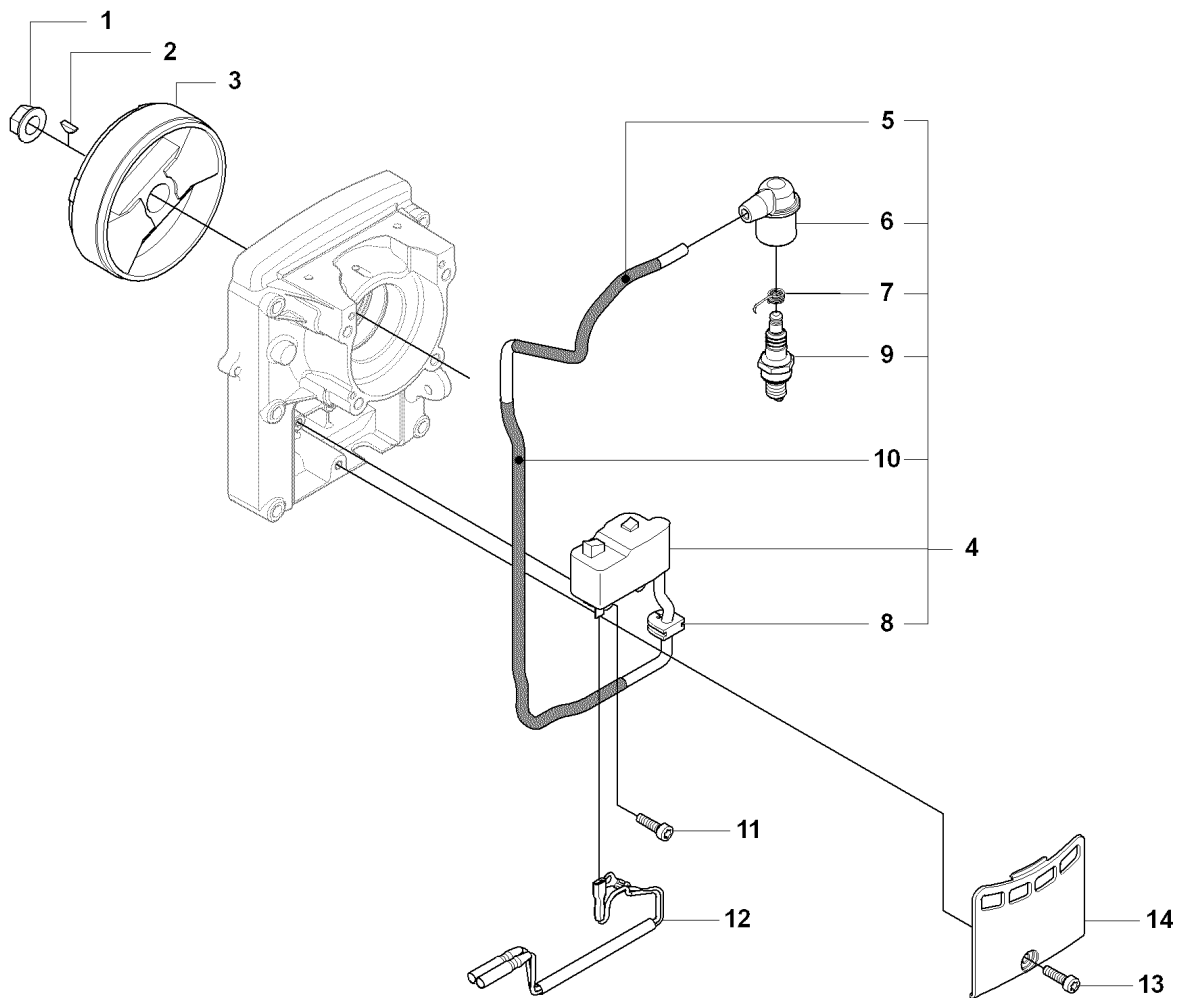
| Ref | Part No | Description | Remark | QTY KIT |
|-----|--------------|----------------|--------|---------|
| 1 | 504 79 61-01 | GASKET | | 1 |
| 2 | 504 79 84-01 | SCREW | | 2 |
| 3 | 544 25 80-01 | BOLT | | 1 |
| 4 | 504 79 60-01 | MUFFLER ASSY | | 1 |
| 5 | 504 79 82-01 | SPARK ARRESTER | | 1 |
| 6 | 504 79 83-01 | EXHAUST DUCT | | 1 |
| 7 | 544 36 27-01 | BOLT | | 4 |

FUEL TANK

380 BFS, 2009-03

| Ref | Part No | Description | Remark | QTY KIT |
|-----|--------------|---------------|--------|---------|
| 1A | 505 18 33-01 | TANK ASSY | EU | 1 |
| 1B | 505 18 34-01 | TANK ASSY.EVP | US | 1 |
| 2 | 544 27 28-01 | FUEL HOSE | | 1 |
| 3 | 544 27 29-01 | FILTER | | 1 |
| 4 | 544 27 30-01 | CLIP | | 1 |
| 5 | 504 11 77-01 | TANK CAP ASSY | | 1 |
| 6 | 504 11 79-01 | HOLDER | | 1 |
| 7 | 544 27 26-01 | FILTER | | 1 |
| 8 | 544 27 24-01 | HOLDER | | 1 |
| 9 | 544 27 25-01 | PACKING | | 1 |
| 10 | 544 27 32-01 | CLIP | | 1 |
| 11 | 544 27 31-01 | SCREW | | 3 |

H 380BTS, 380BFS

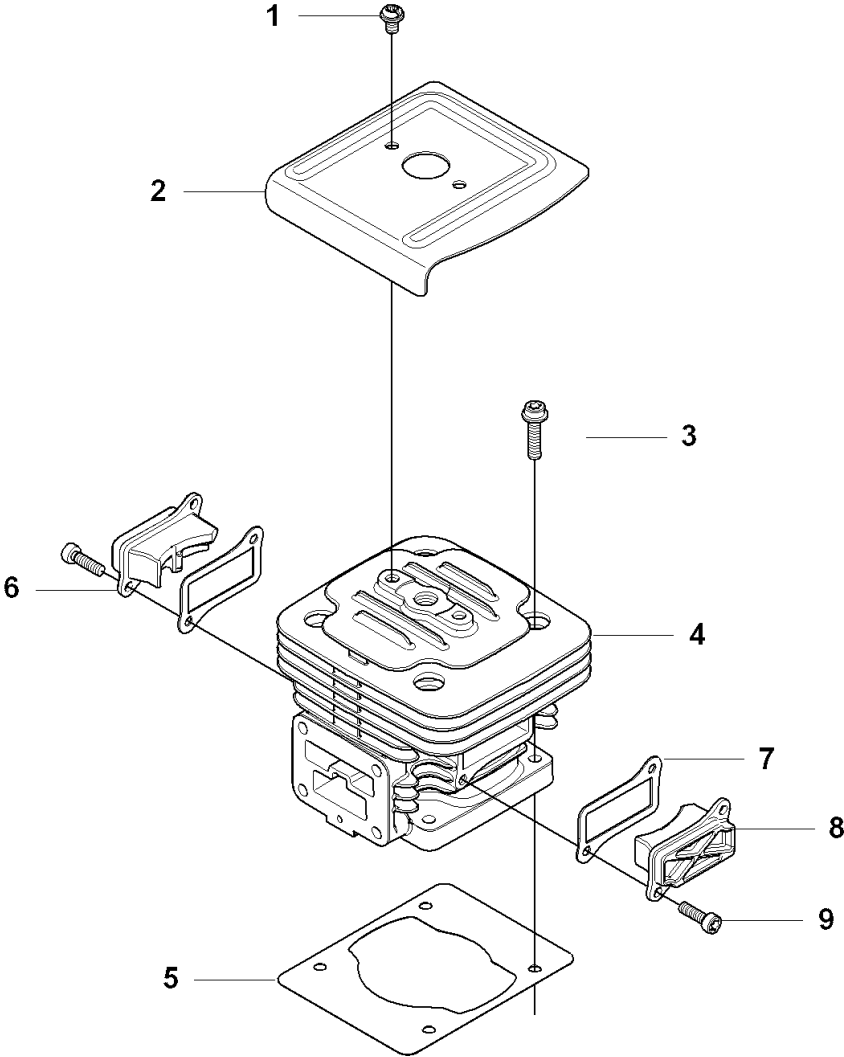


IGNITION SYSTEM

380 BFS, 2009-03

| Ref | Part No | Description | Remark | QTY KIT |
|-----|--------------|-----------------|--------|---------|
| 1 | 544 25 99-01 | NUT | | 1 |
| 2 | 544 26 00-01 | KEY | | 1 |
| 3 | 544 26 01-01 | ROTOR | | 1 |
| 4 | 505 18 35-01 | IGNITION MODULE | | 1 |
| 5 | 544 26 05-01 | TUBE | | 1 |
| 6 | 544 26 03-01 | SPARK PLUG CAP | | 1 |
| 7 | 505 18 36-01 | SPRING | | 1 |
| 8 | 544 26 06-01 | GROMMET | | 1 |
| 9 | 544 26 09-01 | SPARK PLUG | | 1 |
| 10 | 544 36 29-01 | TUBE | | 1 |
| 11 | 544 25 75-01 | BOLT | | 2 |
| 12 | 505 18 37-01 | CORD | | 1 |
| 13 | 544 25 90-01 | BOLT | | 1 |
| 14 | 544 25 89-01 | COVER | | 1 |

J 380BTS, 380BFS

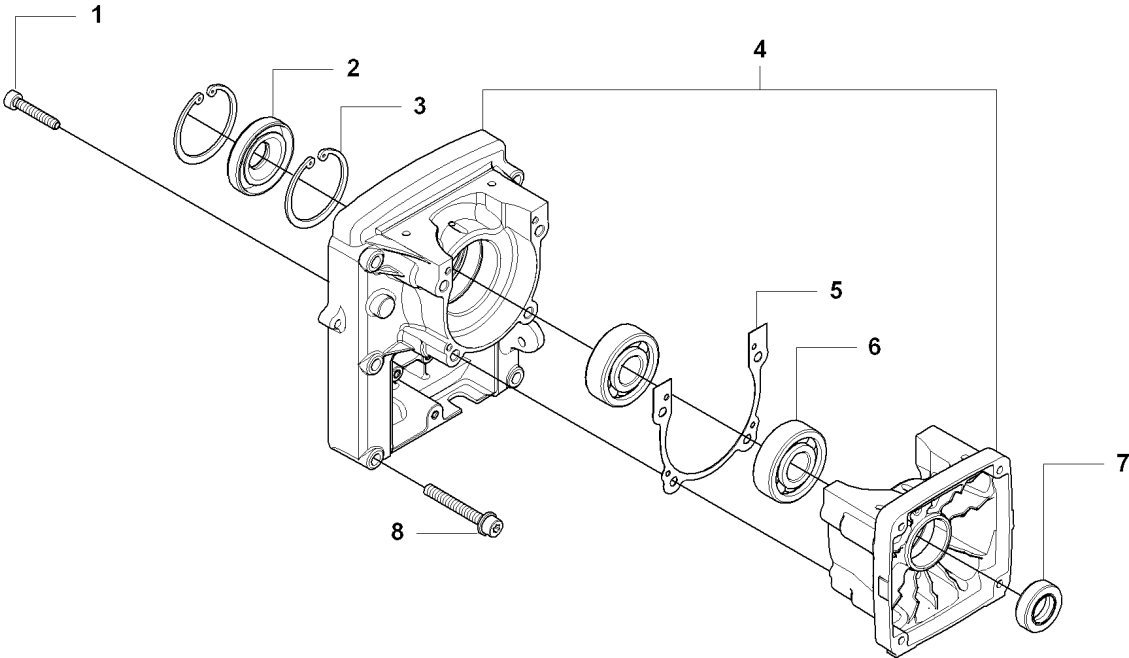


CYLINDER

380 BFS, 2009-03

| Ref | Part No | Description | Remark | QTY KIT |
|-----|--------------|-------------|--------|---------|
| 1 | 544 25 68-01 | SCREW | | 2 |
| 2 | 505 18 38-01 | PLATE | | 1 |
| 3 | 544 25 66-01 | BOLT | | 4 |
| 4 | 504 79 62-01 | CYLINDER | | 1 |
| 5 | 544 25 65-01 | GASKET | | 1 |
| 6 | 505 18 39-01 | COVER | | 1 |
| 7 | 544 25 76-01 | GASKET | | 2 |
| 8 | 505 18 40-01 | COVER | | 1 |
| 9 | 544 25 75-01 | BOLT | | 4 |

K 380BTS, 380BFS

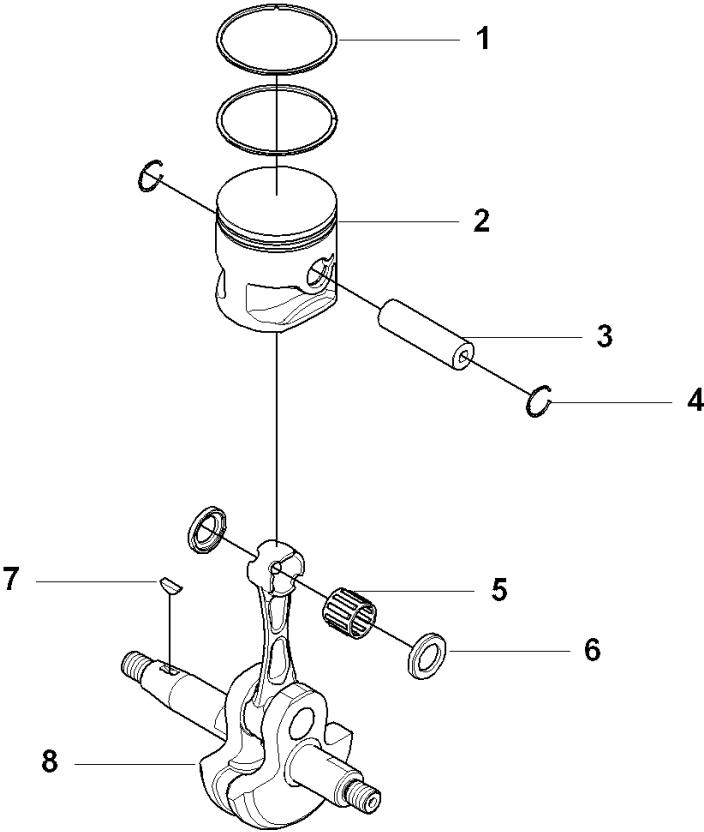


CRANKCASE

380 BFS, 2009-03

| Ref | Part No | Description | Remark | QTY KIT |
|-----|--------------|-------------|--------|---------|
| 1 | 544 25 88-01 | BOLT | | 4 |
| 2 | 544 25 86-01 | SEALING | | 1 |
| 3 | 544 25 87-01 | SNAP RING | | 2 |
| 4 | 544 25 82-01 | CRANKCASE | | 1 |
| 5 | 544 25 83-01 | GASKET | | 1 |
| 6 | 544 25 84-01 | BEARING | | 2 |
| 7 | 544 25 85-01 | SEALING | | 1 |
| 8 | 544 25 91-01 | BOLT | | 6 |

L 380BTS, 380BFS

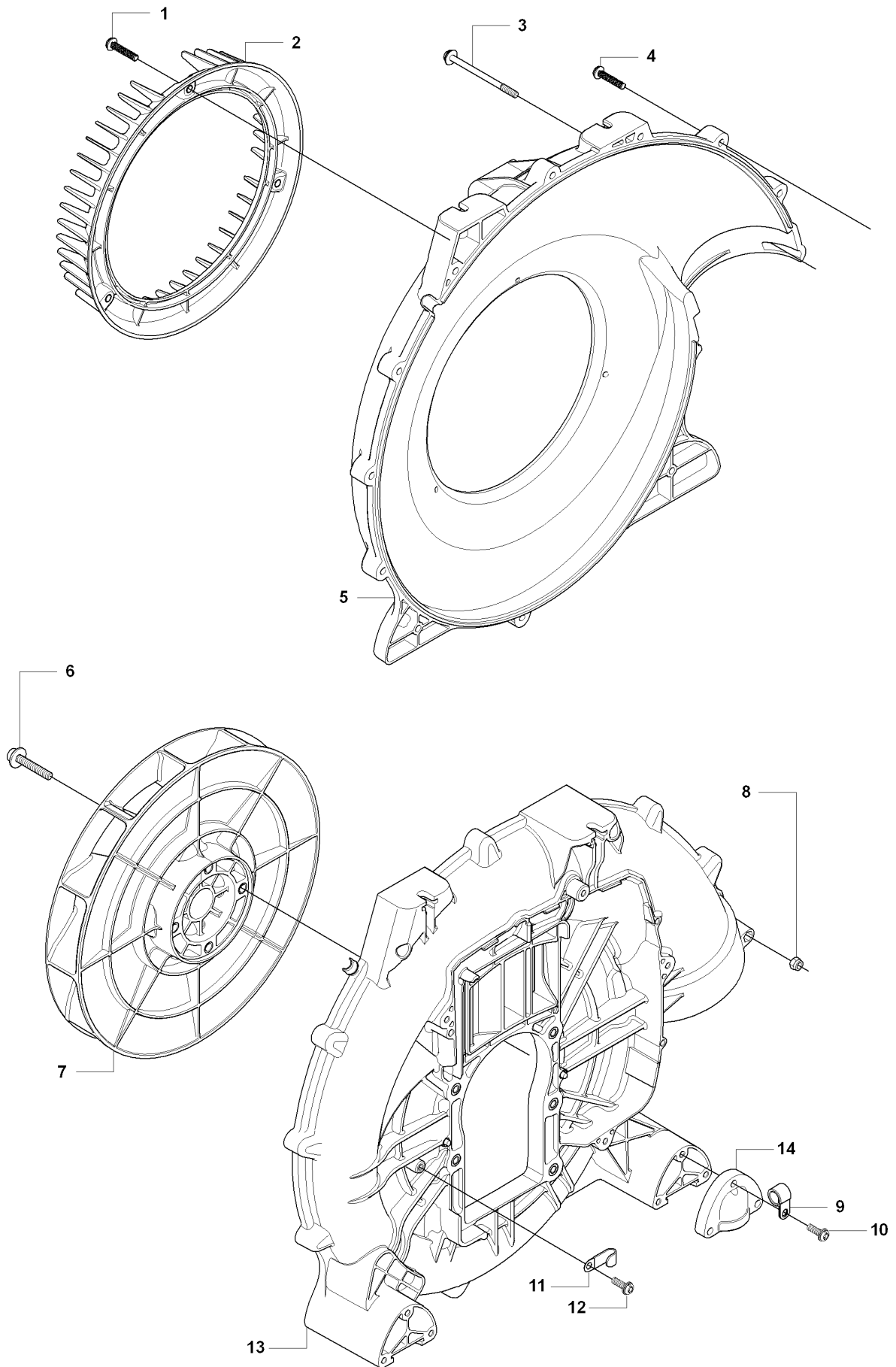


CRANKSHAFT

380 BFS, 2009-03

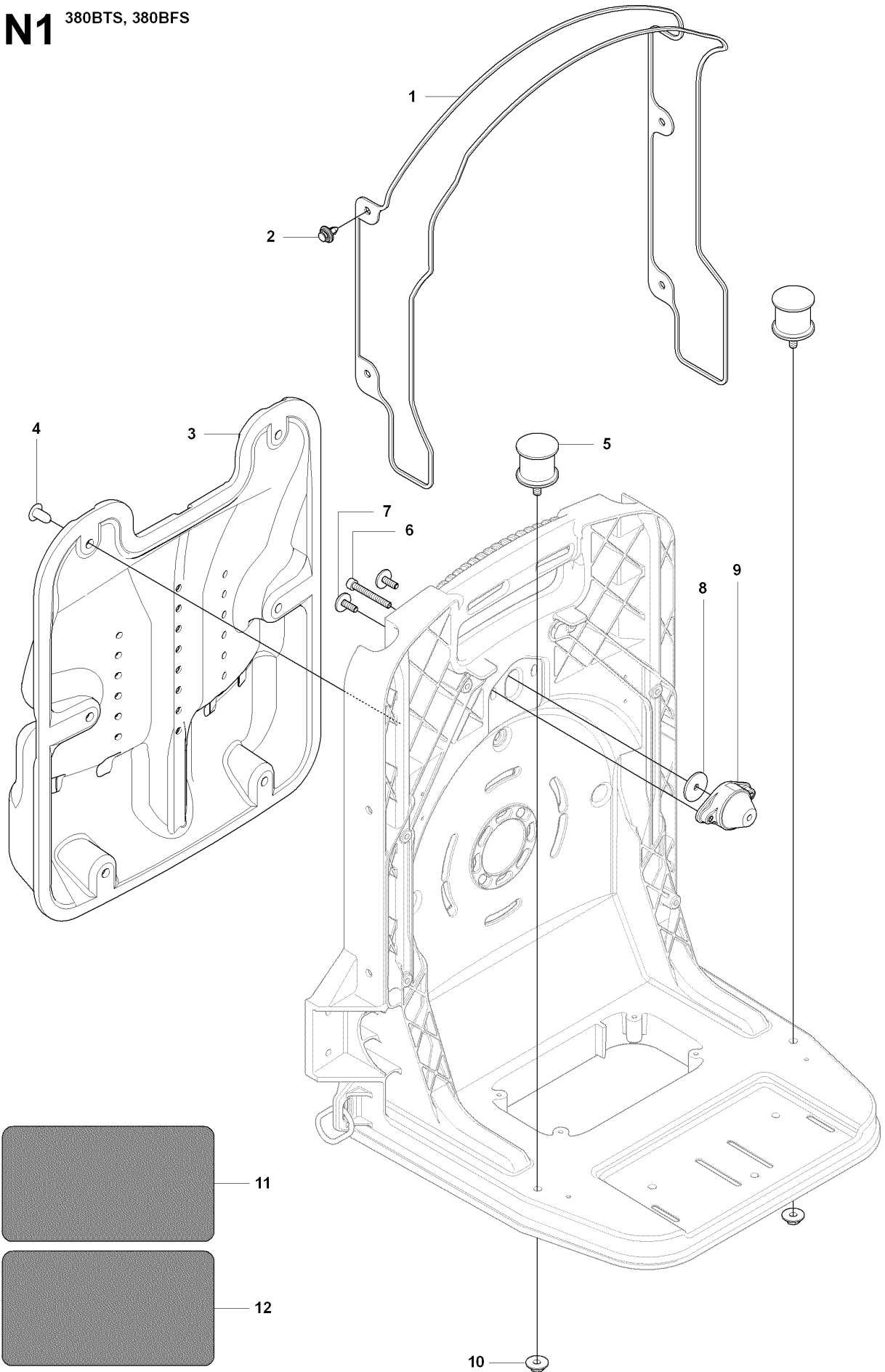
| Ref | Part No | Description | Remark | QTY KIT |
|-----|--------------|-------------|--------|---------|
| 1 | 504 79 65-01 | PISTON RING | | 2 |
| 2 | 504 79 63-01 | PISTON | | 1 |
| 3 | 504 79 64-01 | PISTON PIN | | 1 |
| 4 | 544 25 95-01 | SNAP RING | | 2 |
| 5 | 544 25 96-01 | BEARING | | 1 |
| 6 | 544 25 97-01 | WASHER | | 2 |
| 7 | 544 26 00-01 | KEY | | 1 |
| 8 | 544 25 98-01 | CRANKSHAFT | | 1 |

M 380BTS, 380BFS



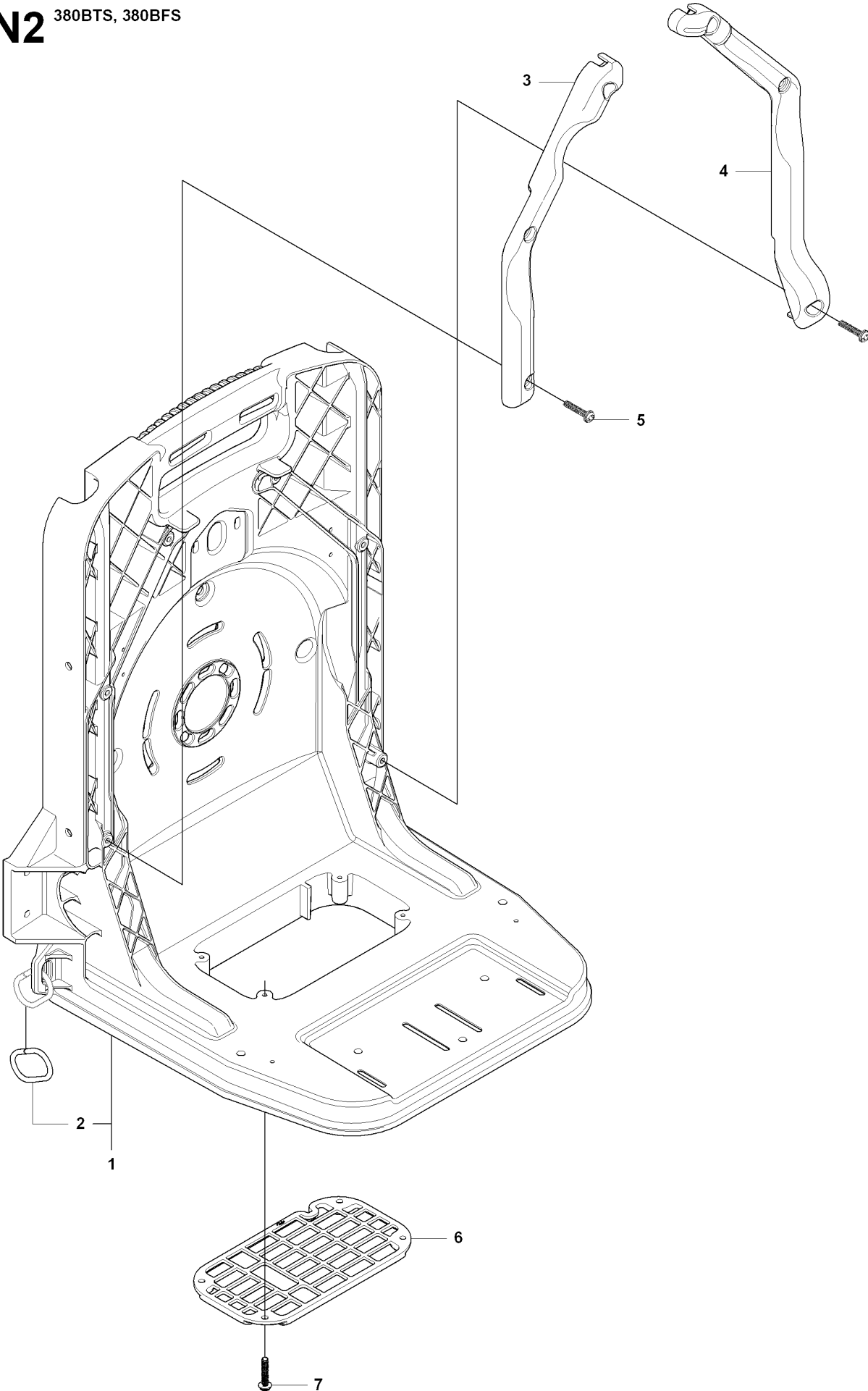
| Ref | Part No | Description | Remark | QTY KIT |
|-----|--------------|-------------|--------|---------|
| 1 | 544 26 43-01 | SCREW | | 3 |
| 2 | 505 18 43-01 | FUNNEL | | 1 |
| 3 | 544 26 46-01 | SCREW | | 2 |
| 4 | 544 26 36-01 | SCREW | | 11 |
| 5 | 505 18 41-01 | FAN HOUSING | | 1 |
| 6 | 544 26 51-01 | BOLT | | 2 |
| 7 | 505 18 44-01 | FAN | | 1 |
| 8 | 544 26 47-01 | NUT | | 2 |
| 9 | 504 12 23-01 | CLAMP | BT | 1 |
| 10 | 544 26 36-01 | SCREW | | 6 |
| 11 | 544 26 49-01 | CLAMP | | 1 |
| 12 | 544 26 43-01 | SCREW | | 1 |
| 13 | 505 18 42-01 | FAN HOUSING | | 1 |
| 14 | 505 18 45-01 | COVER | | 2 |

N1 380BTS, 380BFS



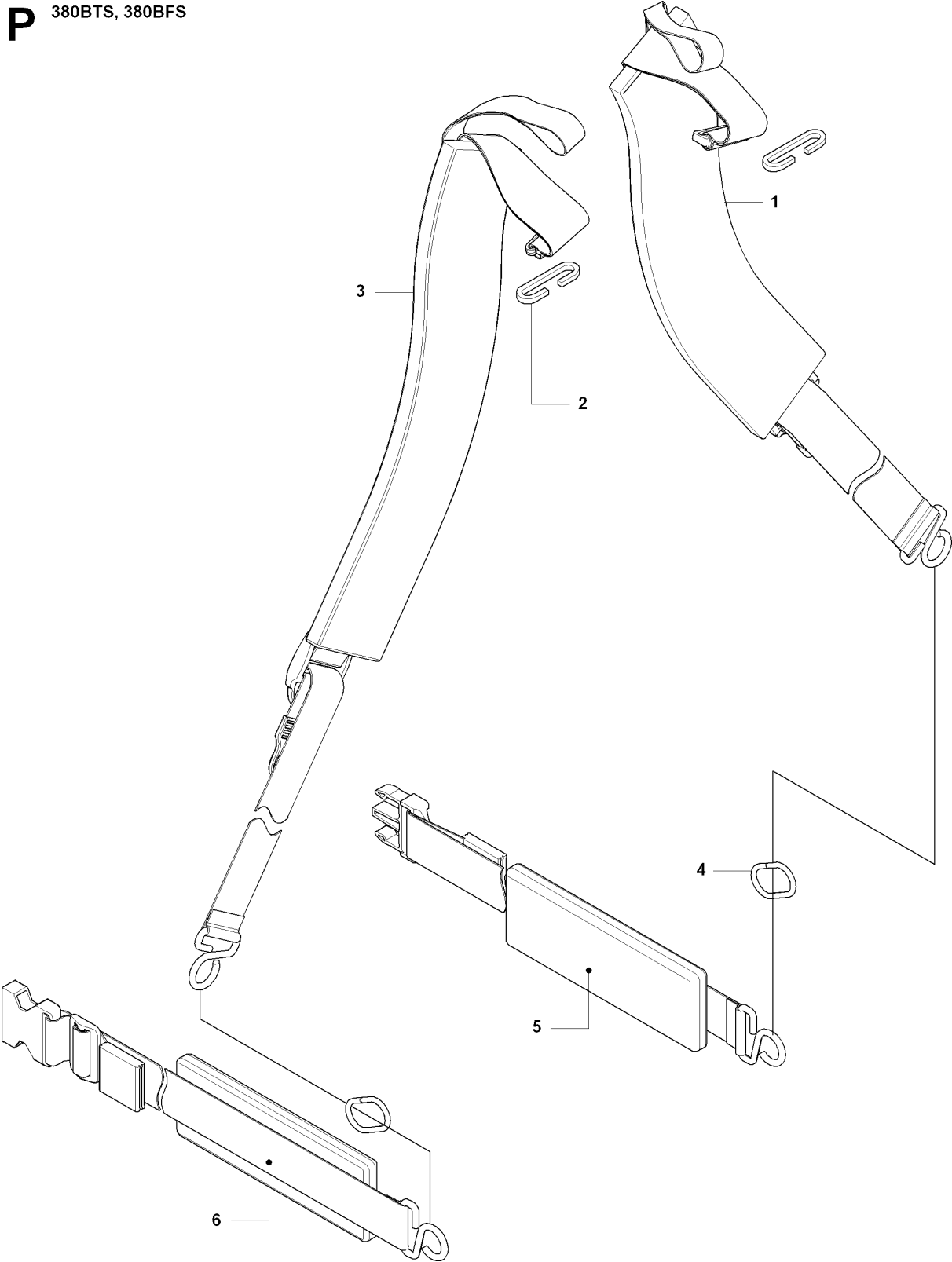
| Ref | Part No | Description | Remark | QTY KIT |
|-----|--------------|-------------|--------|---------|
| 1 | 505 18 46-01 | NET-C | | 1 |
| 2 | 505 18 47-01 | CLIP | | 4 |
| 3 | 505 18 48-01 | PAD | | 1 |
| 4 | 544 27 02-01 | CLIP | | 6 |
| 5 | 544 27 09-01 | DAMPER | | 2 |
| 6 | 505 18 49-01 | CLIP | | 2 |
| 7 | 544 27 07-01 | BOLT | | 1 |
| 8 | 502 85 05-01 | WASHER | | 1 |
| 9 | 544 27 05-01 | DAMPER | | 1 |
| 10 | 544 27 10-01 | NUT | | 2 |
| 11 | 505 18 50-01 | LABEL | BT | 1 |
| 12 | 505 18 50-02 | LABEL | BF | 1 |

N2 380BTS, 380BFS



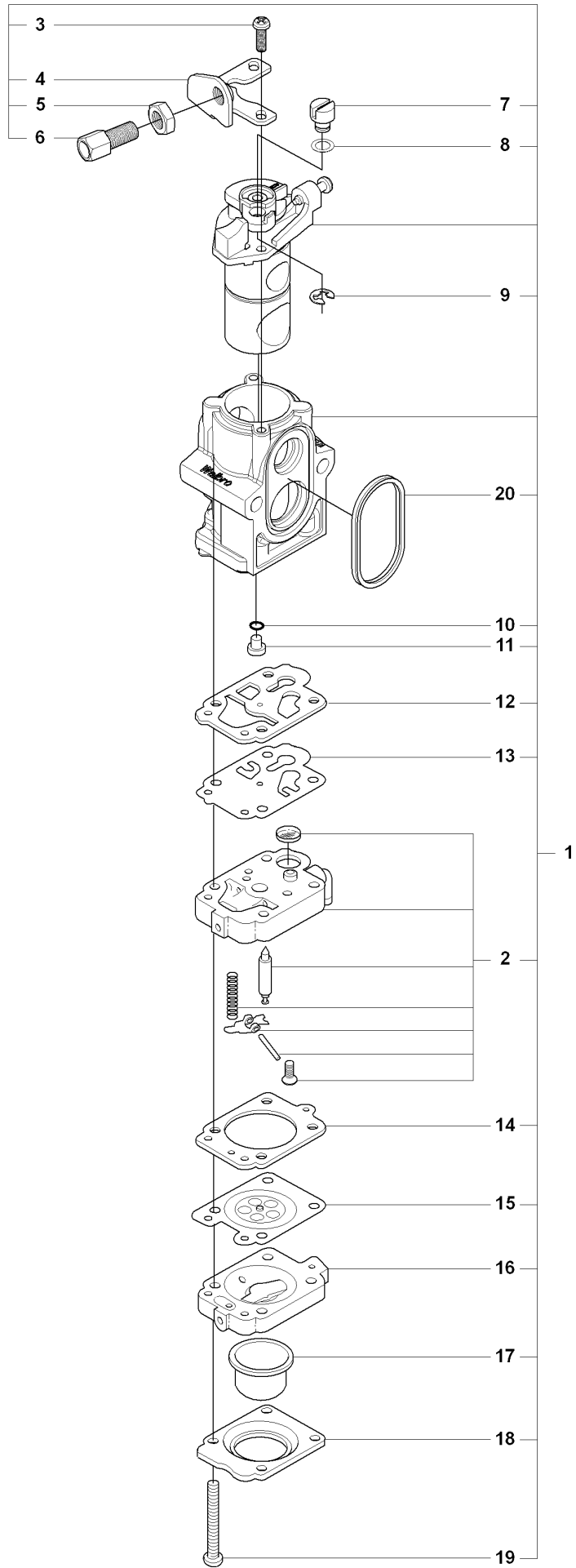
| Ref | Part No | Description | Remark | QTY KIT |
|-----|--------------|-------------|--------|---------|
| 1 | 505 18 51-01 | FRAME | | 1 |
| 2 | 544 26 97-01 | RING | | 2 |
| 3 | 505 18 53-01 | GUARD | | 1 |
| 4 | 505 18 54-01 | GUARD | | 1 |
| 5 | 544 26 43-01 | SCREW | | 6 |
| 6 | 505 18 52-01 | SCREEN | | 1 |
| 7 | 544 26 43-01 | SCREW | | 1 |

P 380BTS, 380BFS



| Ref | Part No | Description | Remark | QTY KIT |
|-----|--------------|-------------|--------|---------|
| 1 | 505 18 56-01 | BAND | | 1 |
| 2 | 544 27 00-01 | CLIP | | 2 |
| 3 | 505 18 55-01 | BAND | | 1 |
| 4 | 544 26 97-01 | RING | | 2 |
| 5 | 544 27 45-01 | BAND | | 1 |
| 6 | 544 27 46-01 | BAND | | 1 |

Q 380BTS, 380BFS

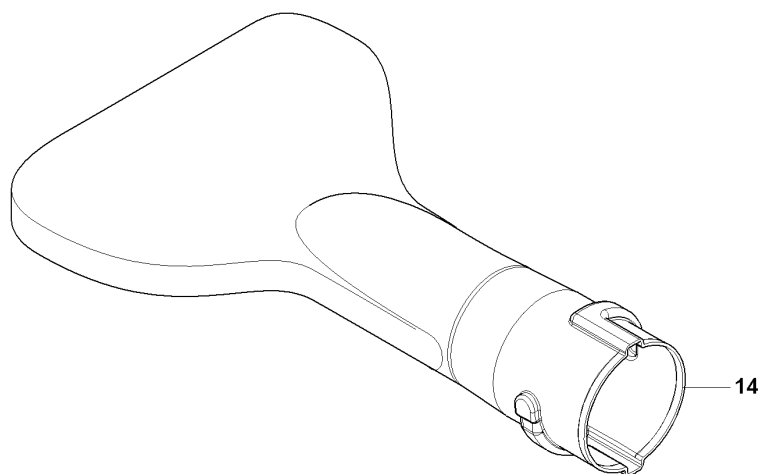
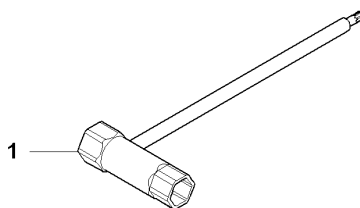


CARBURETOR DETAILS

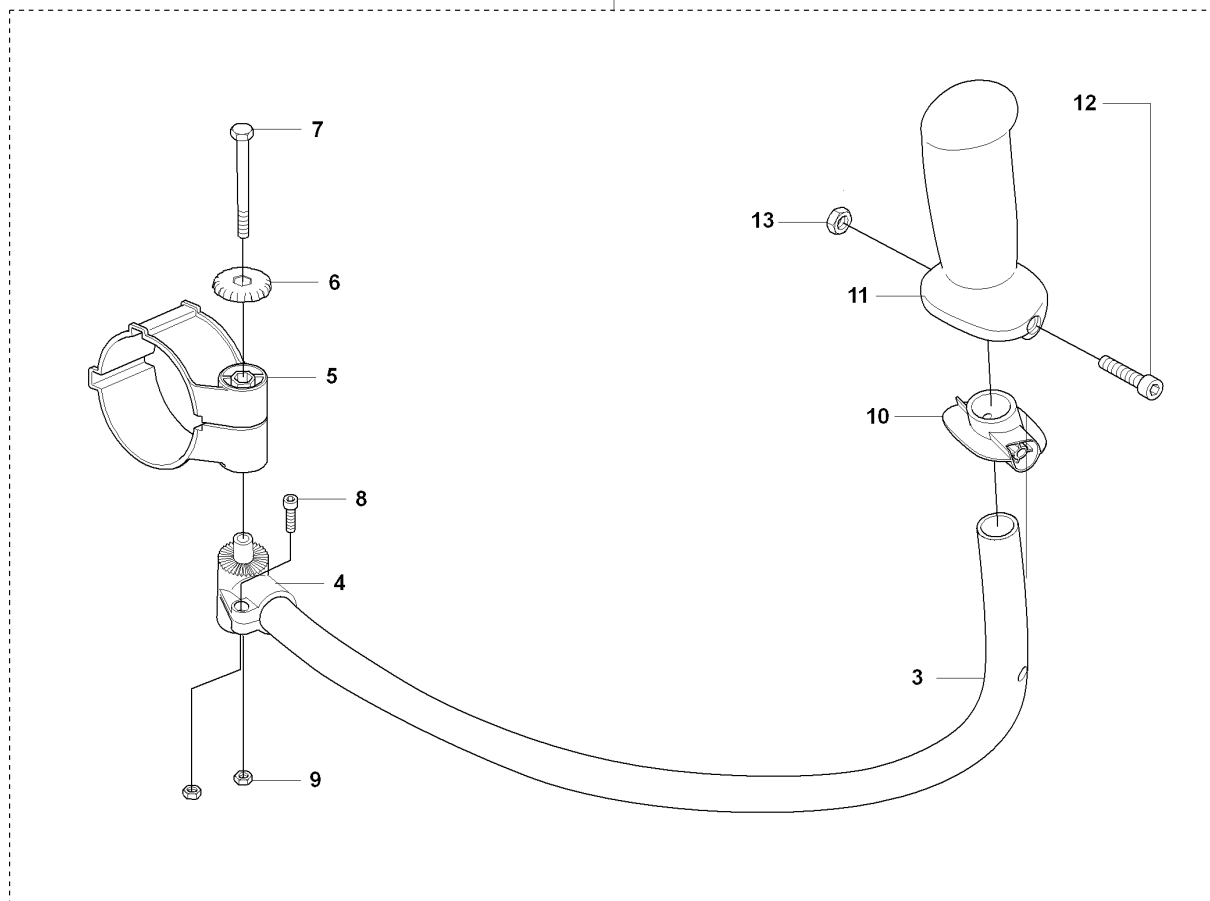
380 BFS, 2009-03

| Ref | Part No | Description | Remark | QTY KIT |
|-----|--------------|-----------------------|--------|---------|
| 1 | 505 18 31-01 | CARBURETTOR | | 1 |
| 2 | 544 36 35-01 | BODY CARBURETTOR | | 1 |
| 3 | 544 36 47-01 | SCREW | | 2 |
| 4 | 544 36 48-01 | BRACKET | | 1 |
| 5 | 544 36 49-01 | NUT | | 1 |
| 6 | 544 36 50-01 | SCREW | | 1 |
| 7 | 544 36 41-01 | SWIVEL CARB | | 1 |
| 8 | 544 36 40-01 | WASHER | | 1 |
| 9 | 544 36 42-01 | RING | | 1 |
| 10 | 544 36 54-01 | O-RING | | 1 |
| 11 | 544 36 53-01 | JET | | 1 |
| 12 | 544 36 43-01 | GASKET | | 1 |
| 13 | 544 36 44-01 | DIAPHRAGM CARBURETTOR | | 1 |
| 14 | 544 36 45-01 | GASKET | | 1 |
| 15 | 504 64 31-01 | DIAPHRAGM CARBURETTOR | | 1 |
| 16 | 544 36 46-01 | DIAPHRAGM CARBURETTOR | | 1 |
| 17 | 544 36 39-01 | PUMP | | 1 |
| 18 | 544 36 38-01 | COVER | | 1 |
| 19 | 544 36 52-01 | SCREW | | 4 |
| 20 | 544 36 51-01 | RING | | 1 |

R 380BTS, 380BFS
 Accessories
 Zubehöre
 Accessoires
 Accesorios
 Tillbehör



2



ACCESSORIES

380 BFS, 2009-03

| Ref | Part No | Description | Remark | QTY KIT |
|-----|--------------|----------------|--------|---------|
| 1 | 544 27 44-01 | SOCKET | | 1 |
| 2 | 544 40 00-01 | HANDLEBAR ASSY | | 1 |
| 3 | 537 24 13-01 | HANDLEBAR | | 1 |
| 4 | 537 29 29-01 | BRACKET | | 1 |
| 5 | 544 27 59-01 | HOLDER | | 1 |
| 6 | 502 20 40-01 | KNOB | | 1 |
| 7 | 725 23 47-51 | SCREW EHHM | | 1 |
| 8 | 725 53 25-55 | SCREW IHSCM | | 1 |
| 9 | 731 23 14-01 | HEXAGON NUT | | 2 |
| 10 | 537 17 29-01 | COVER | | 1 |
| 11 | 537 17 28-01 | HANDLE | | 1 |
| 12 | 503 20 02-45 | SCREW IHSCFM | | 1 |
| 13 | 731 23 14-01 | HEXAGON NUT | | 1 |
| 14 | 544 27 48-01 | NOZZLE | | 1 |