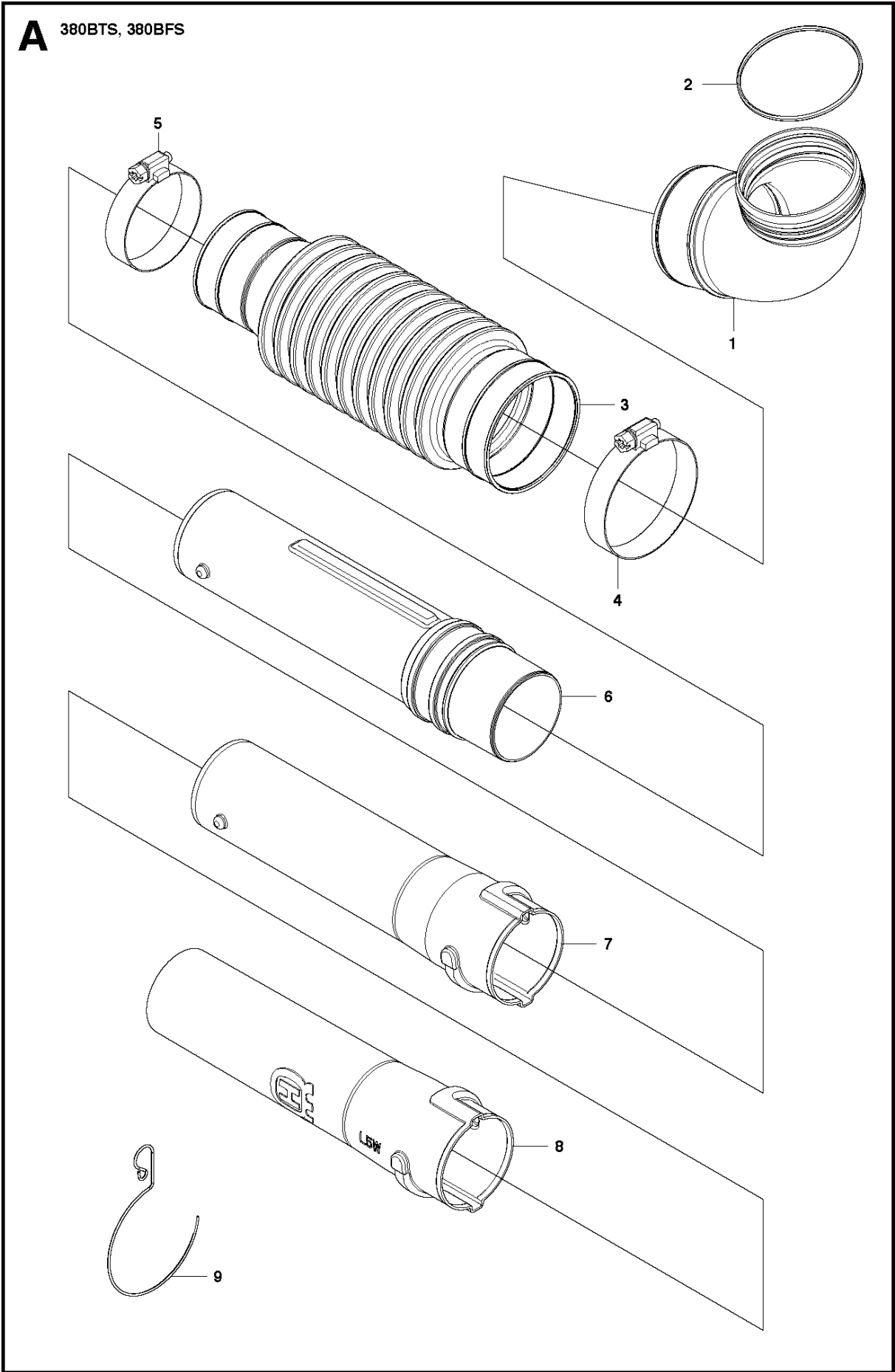




SPARE PARTS LIST

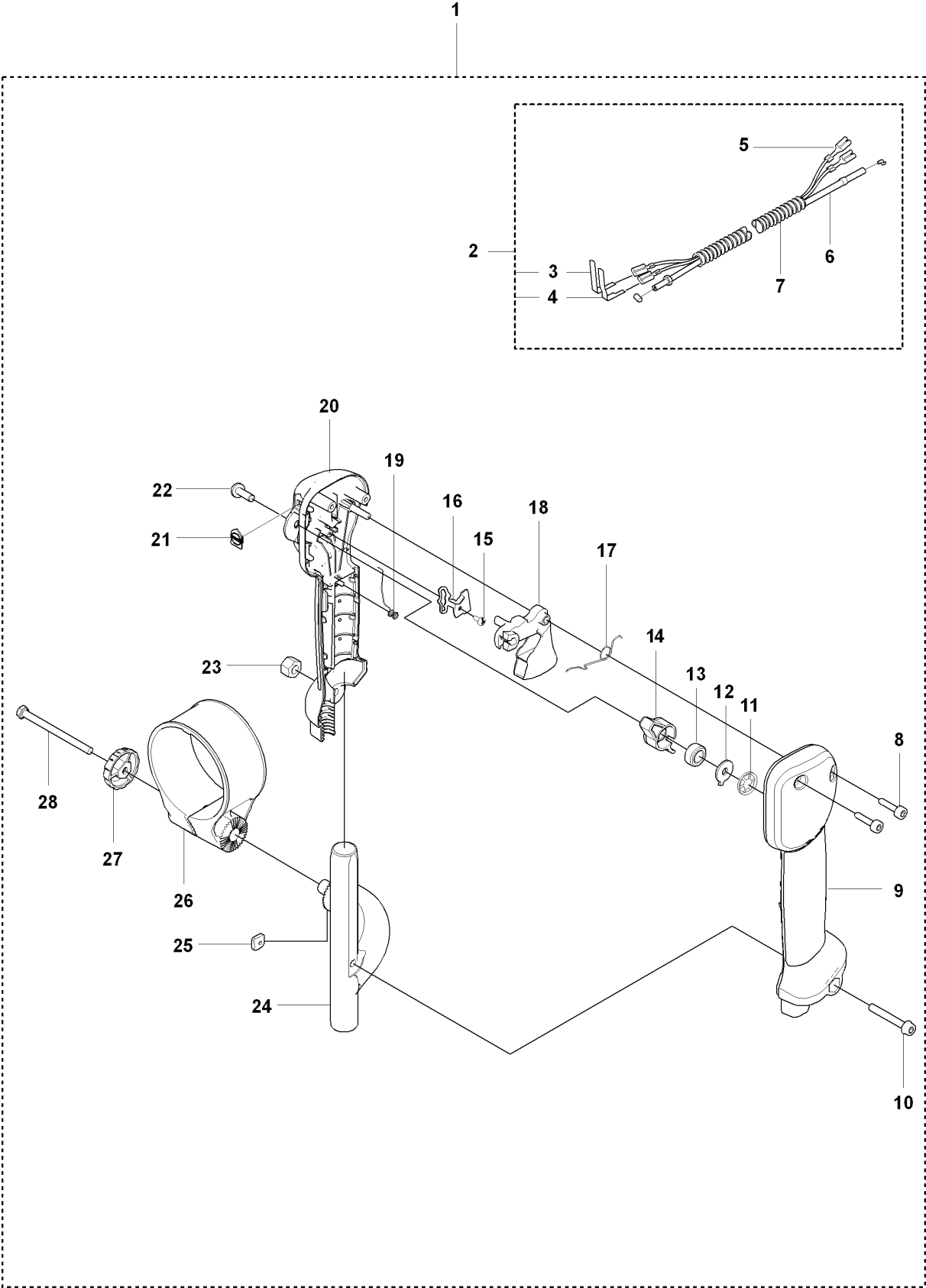
BLOWERS

380 BTS, 2009-03



Ref	Part No	Description	Remark	QTY KIT
1	505 18 08-01	TUBE		1
2	505 17 98-01	O-RING		1
3	505 18 09-01	HOSE		1
4	544 27 41-01	CLAMP		1
5	544 27 40-01	CLAMP		1
6	505 18 11-01	SWIVEL		1
7	544 27 38-01	PIPE		2
8	505 18 13-01	TUBE		1
9	544 27 60-01	CLAMP		1

B1 380BTS

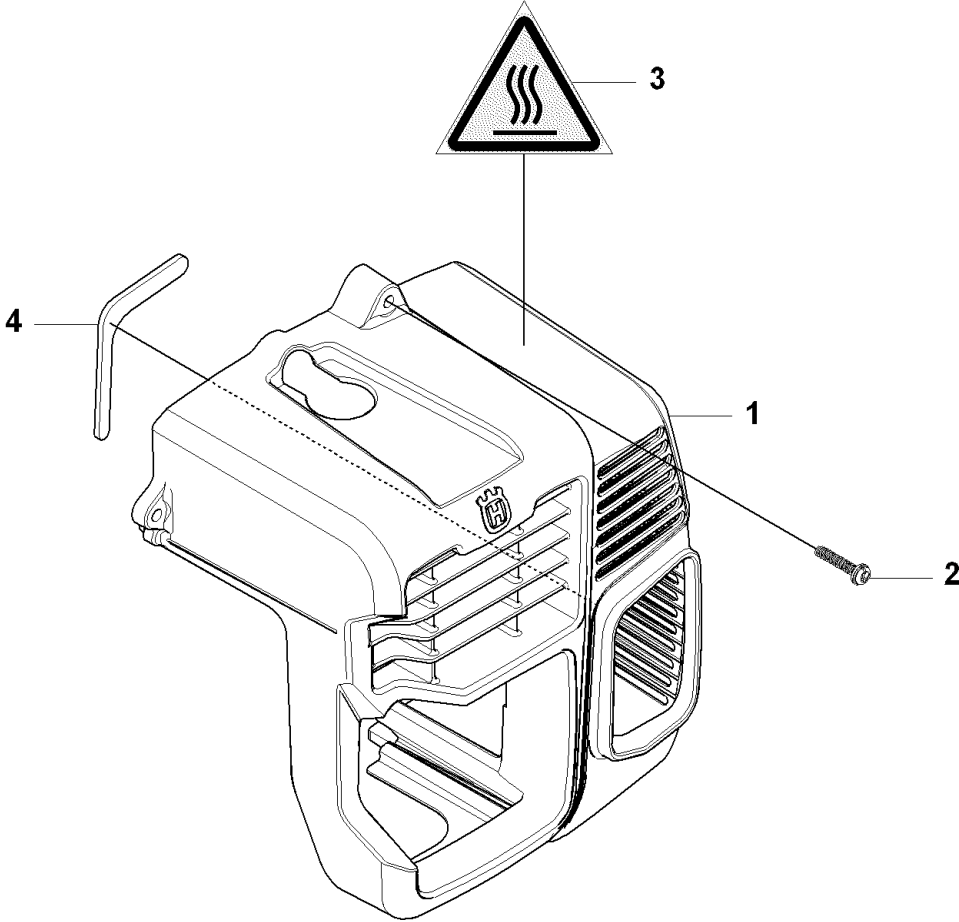


HANDLE & CONTROLS

380 BTS, 2009-03

Ref	Part No	Description	Remark	QTY KIT
1	505 18 14-01	LEVER ASSY		1
2	575 99 37-01	WIRING ASSY		1
3	537 22 62-01	CONNECTOR		1
4	537 22 63-01	CONNECTOR		1
5	505 18 17-01	CORD		1
6	505 18 18-01	CABLE		1
7	505 18 19-01	TUBE		1
8	503 21 66-18	SCREW IHSCT		2
9	502 24 49-01	HANDLE HALF		1
10	505 29 08-01	SCREW		1
11	735 58 35-01	WASHER		1
12	505 18 15-01	WASHER		1
13	537 37 39-01	SPRING		1
14	502 24 55-01	CONTROL		1
15	503 21 29-06	SCREW CCRPANT		1
16	502 24 60-01	RETAINER		1
17	537 17 42-01	SPRING THROTTLE TRIG		1
18	502 24 54-01	TRIGGER		1
19	505 56 79-01	SPRING		1
20	502 24 48-01	HANDLE HALF		1
21	502 64 17-01	PLATE		1
22	537 14 12-03	SHAFT PIVOT		1
23	503 22 10-13	HEXAGON NUT		1
24	502 24 53-01	HOLDER		1
25	503 22 65-04	SQUARE NUT		1
26	544 27 59-01	HOLDER		1
27	504 80 03-01	TURNING KNOB		1
28	725 23 44-51	SCREW EHHM		1

C 380BTS, 380BFS

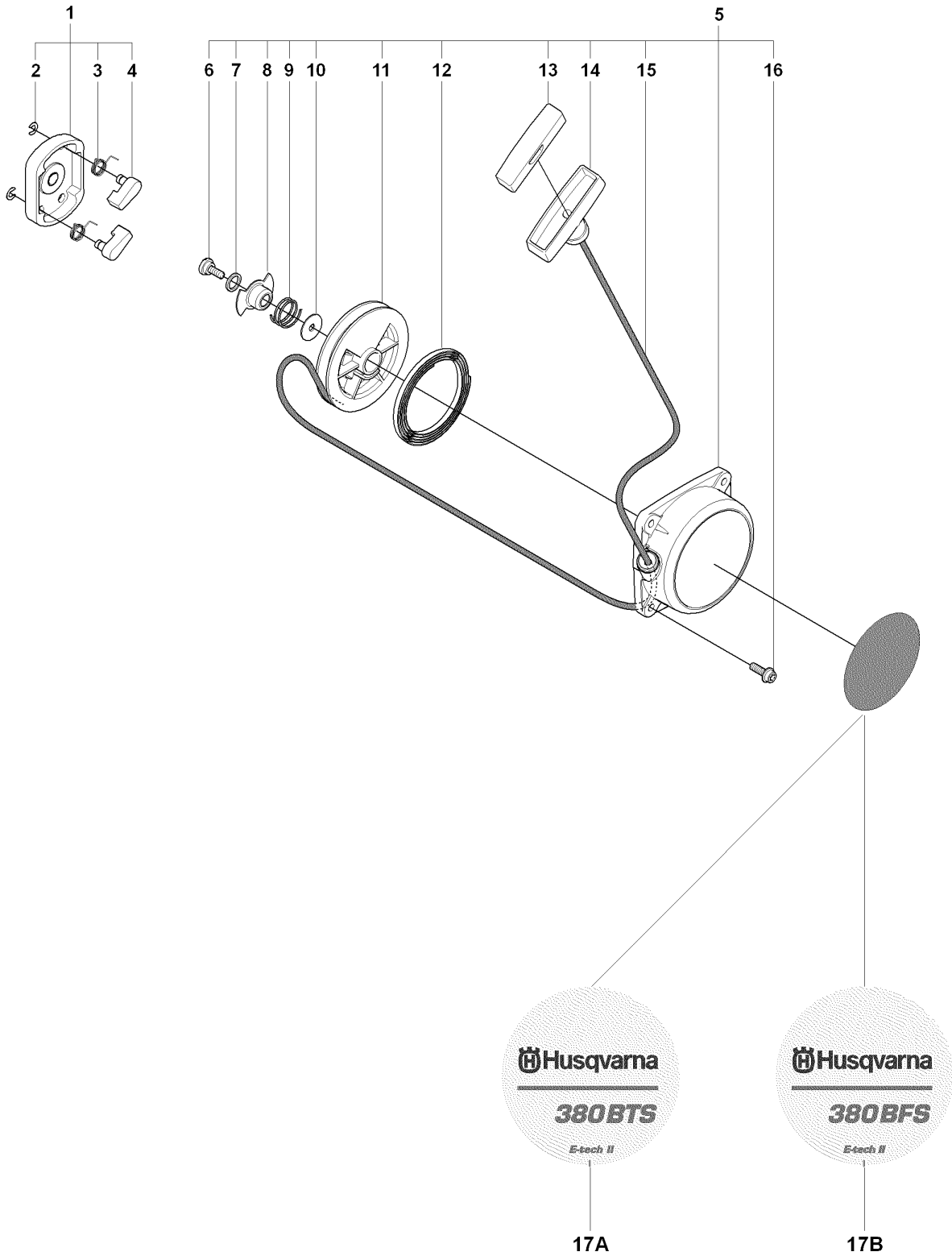


CYLINDER COVER

380 BTS, 2009-03

Ref	Part No	Description	Remark	QTY KIT
1	505 18 20-01	ENGINE COVER		1
2	544 26 36-01	SCREW		4
3	544 36 34-01	LABEL		1
4	505 18 21-01	TAPE		1

D 380BTS, 380BFS

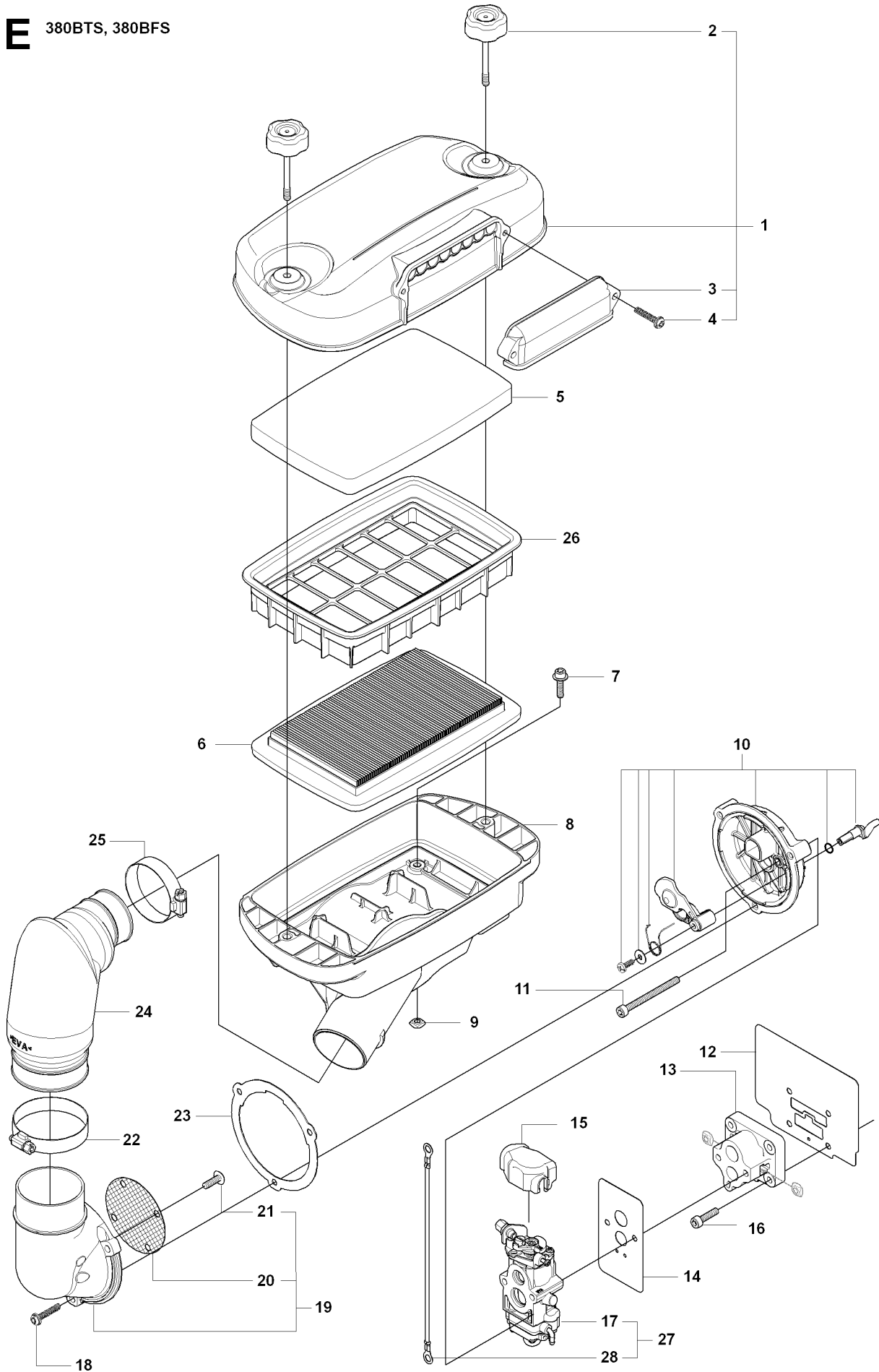


STARTER

380 BTS, 2009-03

Ref	Part No	Description	Remark	QTY KIT
1	544 26 27-01	PULLEY		1
2	544 26 30-01	E-CLIP		2
3	544 26 29-01	SPRING		2
4	544 26 28-01	STARTER PAWL		2
5	544 26 10-01	STARTER ASSY		1
6	544 26 13-01	SCREW		1
7	544 26 17-01	WASHER		1
8	544 26 20-01	PLATE		1
9	544 26 19-01	SPRING		1
10	544 26 18-01	WASHER		1
11	544 26 11-01	REEL		1
12	544 26 12-01	SPRING		1
13	544 26 16-01	COVER		1
14	544 26 15-01	KNOB		1
15	544 26 14-01	STARTER CORD		1
16	544 26 31-01	BOLT		4

E 380BTS, 380BFS

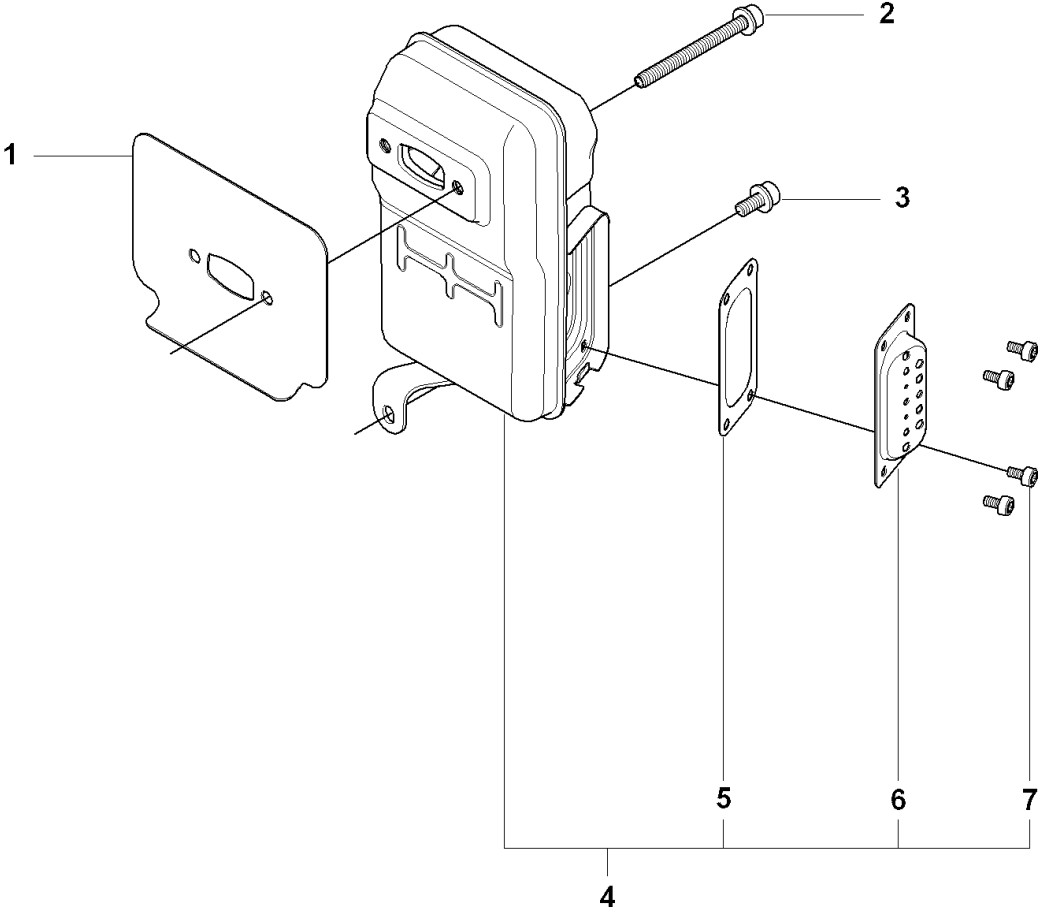


CARBURETOR & AIR FILTER

380 BTS, 2009-03

Ref	Part No	Description	Remark	QTY KIT
1	505 18 22-01	COVER		1
2	505 18 23-01	KNOB		2
3	544 27 13-01	COVER		1
4	544 26 36-01	SCREW		2
5	544 27 16-01	AIR FILTER		1
6	544 27 15-01	AIR FILTER		1
7	544 27 20-01	BOLT		4
8	505 18 25-01	BODY		1
9	505 18 26-01	NUT		4
10	505 18 29-01	CUP		1
11	544 26 32-01	BOLT		2
12	544 25 71-01	GASKET		1
13	544 25 69-01	INSULATING PIECE		1
14	544 25 72-01	GASKET		1
15	544 26 38-01	COVER		1
16	544 25 70-01	BOLT		4
17	505 18 31-01	CARBURETTOR		1
18	544 26 36-01	SCREW		3
19	544 26 33-01	COVER		1
20	544 26 34-01	SCREEN		1
21	544 26 35-01	SCREW		2
22	544 27 19-01	CLAMP		1
23	544 26 37-01	GASKET		1
24	505 18 28-01	HOSE		1
25	544 27 19-01	CLAMP		1
26	505 18 24-01	CASSETTE		1
27	505 18 30-01	CARBURETTOR		1
28	505 18 32-01	CORD		1

F 380BTS, 380BFS

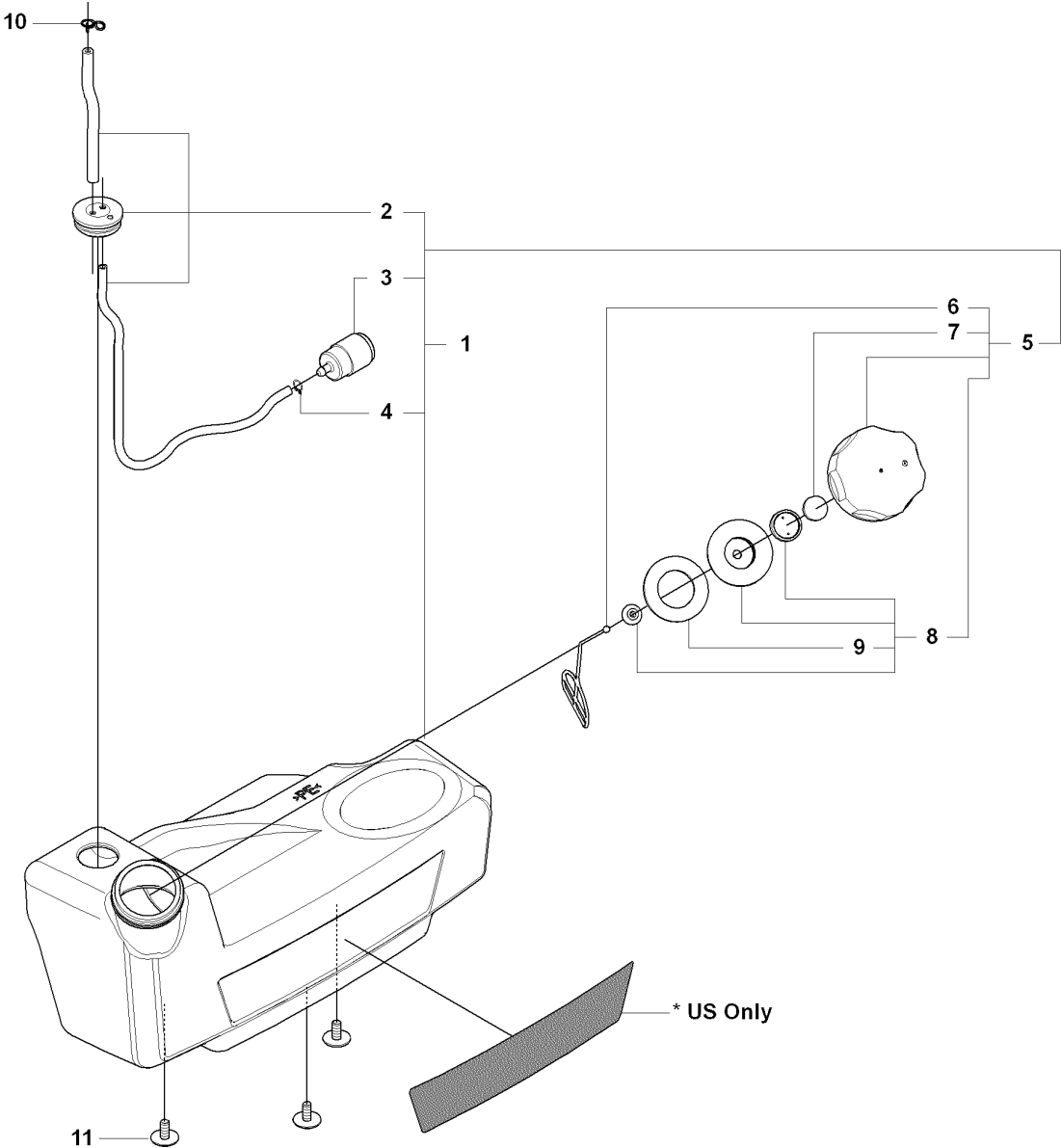


MUFFLER

380 BTS, 2009-03

Ref	Part No	Description	Remark	QTY KIT
1	504 79 61-01	GASKET		1
2	504 79 84-01	SCREW		2
3	544 25 80-01	BOLT		1
4	504 79 60-01	MUFFLER ASSY		1
5	504 79 82-01	SPARK ARRESTER		1
6	504 79 83-01	EXHAUST DUCT		1
7	544 36 27-01	BOLT		4

G 380BTS, 380BFS

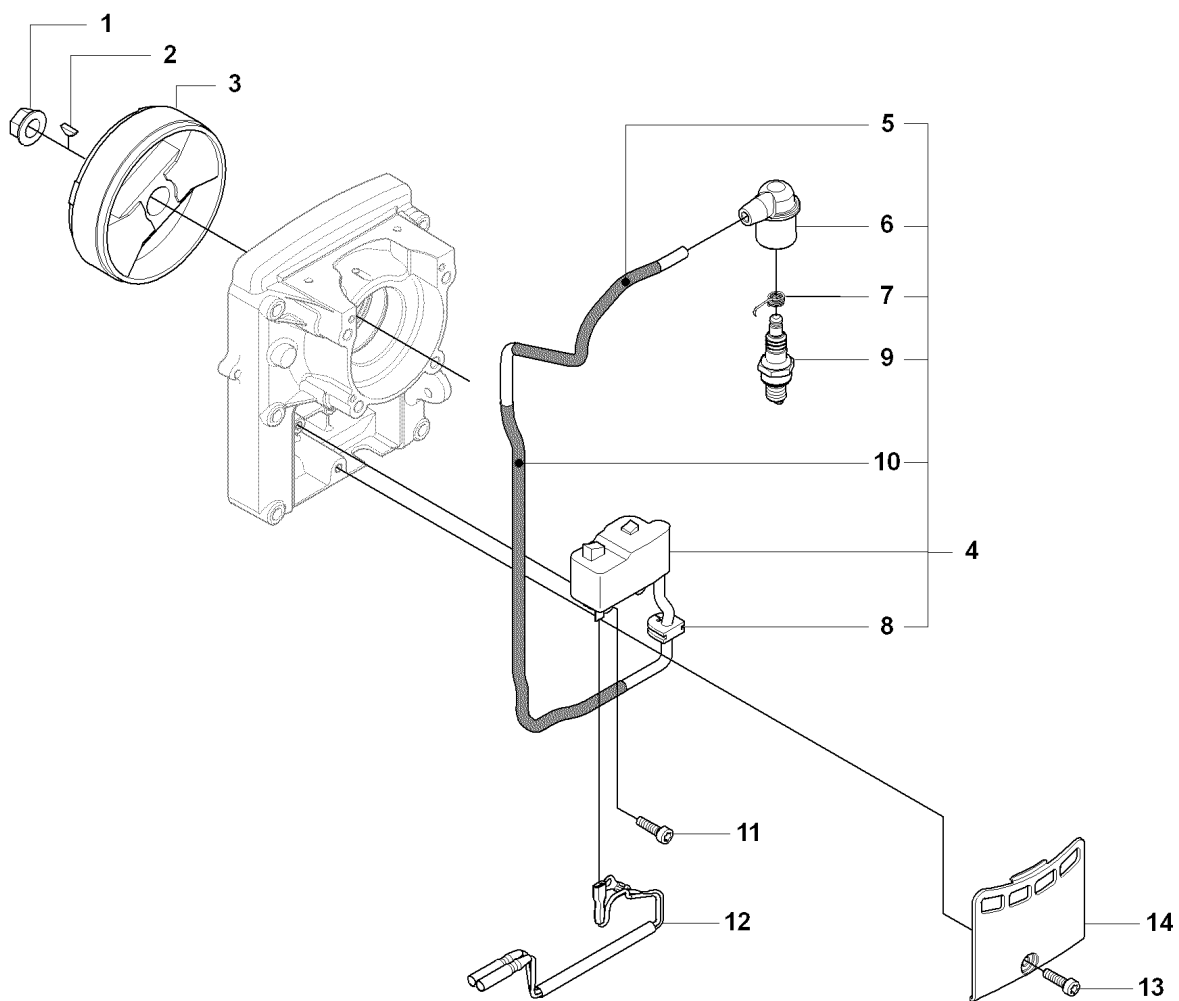


FUEL TANK

380 BTS, 2009-03

Ref	Part No	Description	Remark	QTY KIT
1A	505 18 33-01	TANK ASSY	EU	1
1B	505 18 34-01	TANK ASSY.EVP	US	1
2	544 27 28-01	FUEL HOSE		1
3	544 27 29-01	FILTER		1
4	544 27 30-01	CLIP		1
5	504 11 77-01	TANK CAP ASSY		1
6	504 11 79-01	HOLDER		1
7	544 27 26-01	FILTER		1
8	544 27 24-01	HOLDER		1
9	544 27 25-01	PACKING		1
10	544 27 32-01	CLIP		1
11	544 27 31-01	SCREW		3

H 380BTS, 380BFS

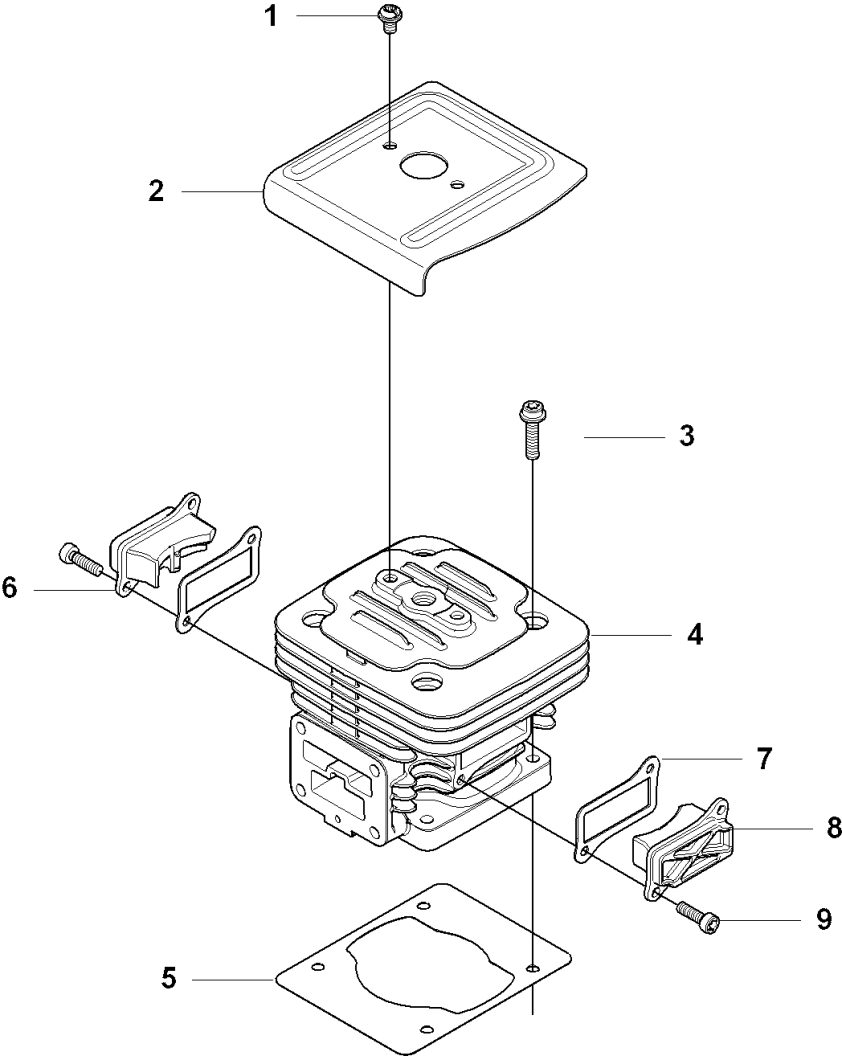


IGNITION SYSTEM

380 BTS, 2009-03

Ref	Part No	Description	Remark	QTY KIT
1	544 25 99-01	NUT		1
2	544 26 00-01	KEY		1
3	544 26 01-01	ROTOR		1
4	505 18 35-01	IGNITION MODULE		1
5	544 26 05-01	TUBE		1
6	544 26 03-01	SPARK PLUG CAP		1
7	505 18 36-01	SPRING		1
8	544 26 06-01	GROMMET		1
9	544 26 09-01	SPARK PLUG		1
10	544 36 29-01	TUBE		1
11	544 25 75-01	BOLT		2
12	505 18 37-01	CORD		1
13	544 25 90-01	BOLT		1
14	544 25 89-01	COVER		1

J 380BTS, 380BFS

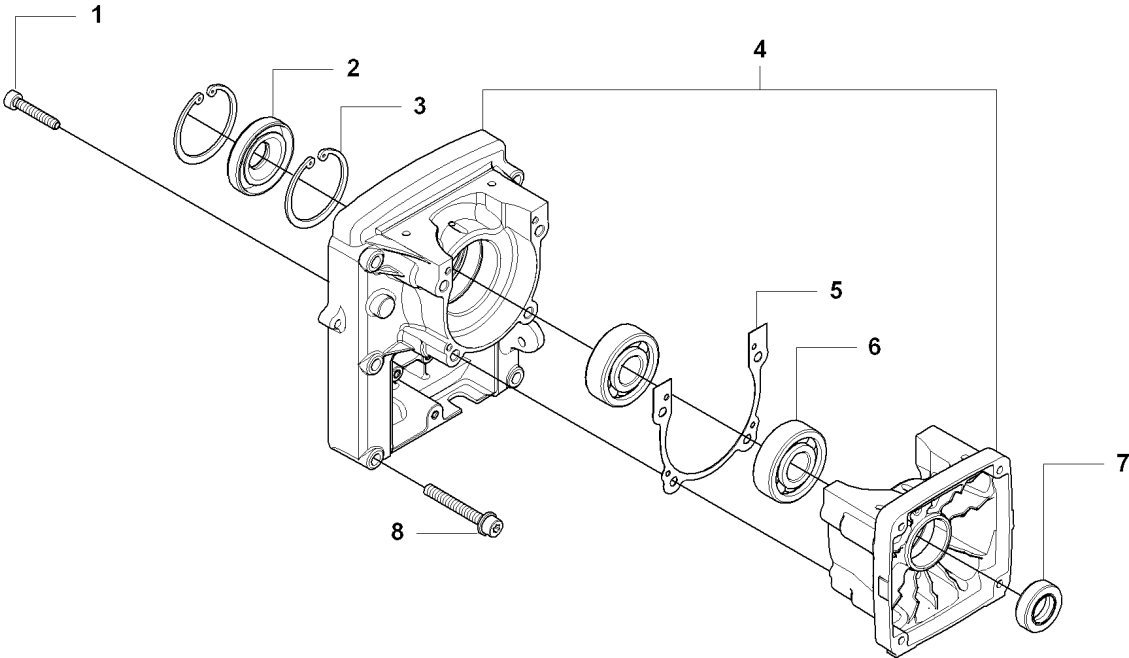


CYLINDER

380 BTS, 2009-03

Ref	Part No	Description	Remark	QTY KIT
1	544 25 68-01	SCREW		2
2	505 18 38-01	PLATE		1
3	544 25 66-01	BOLT		4
4	504 79 62-01	CYLINDER		1
5	544 25 65-01	GASKET		1
6	505 18 39-01	COVER		1
7	544 25 76-01	GASKET		2
8	505 18 40-01	COVER		1
9	544 25 75-01	BOLT		4

K 380BTS, 380BFS

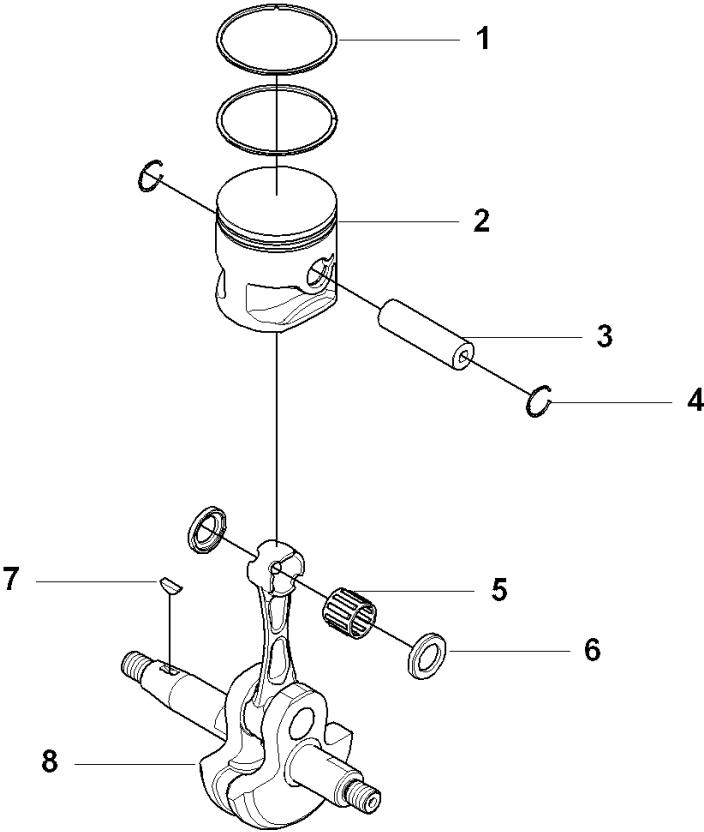


CRANKCASE

380 BTS, 2009-03

Ref	Part No	Description	Remark	QTY KIT
1	544 25 88-01	BOLT		4
2	544 25 86-01	SEALING		1
3	544 25 87-01	SNAP RING		2
4	544 25 82-01	CRANKCASE		1
5	544 25 83-01	GASKET		1
6	544 25 84-01	BEARING		2
7	544 25 85-01	SEALING		1
8	544 25 91-01	BOLT		6

L 380BTS, 380BFS

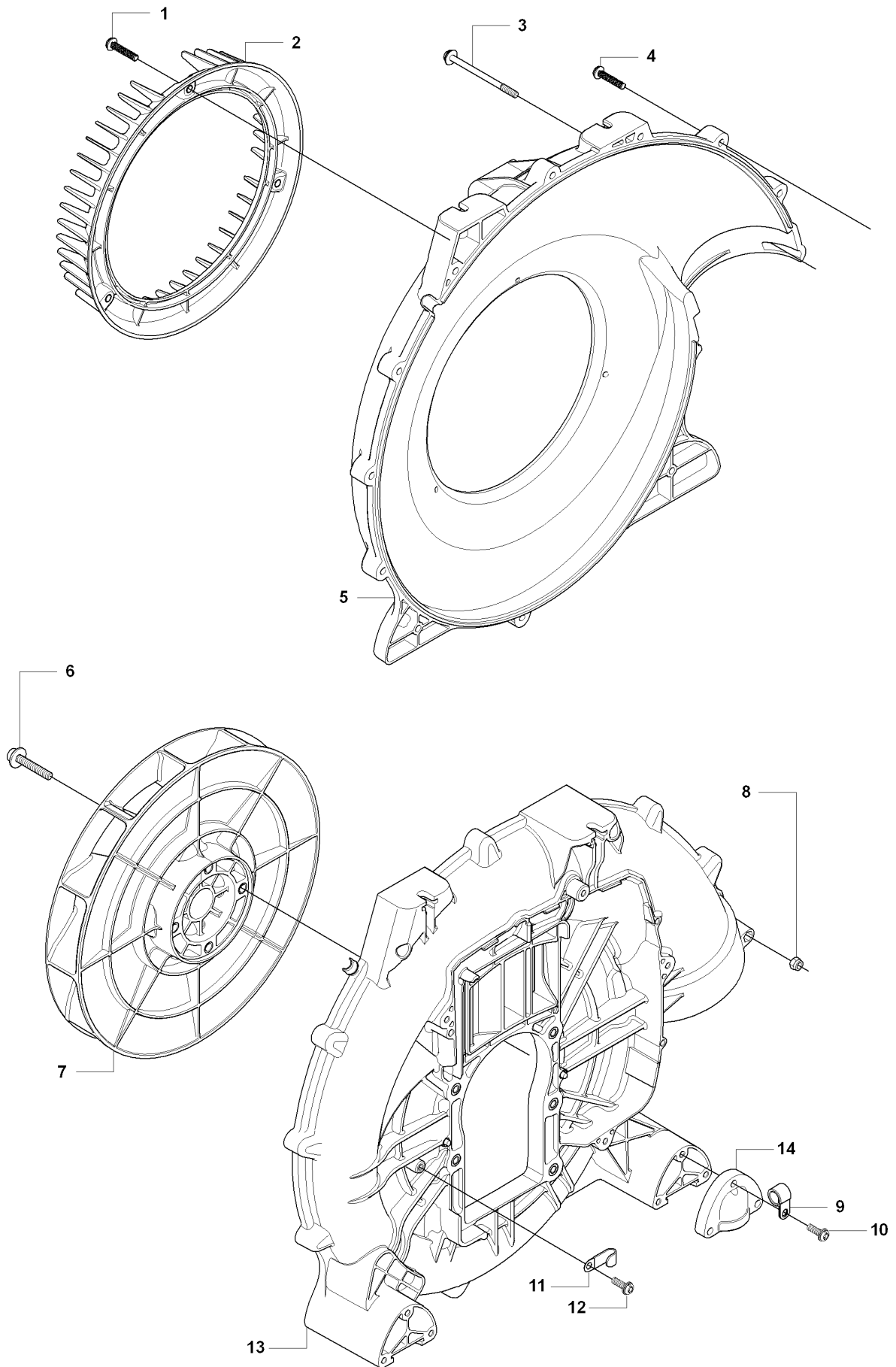


CRANKSHAFT

380 BTS, 2009-03

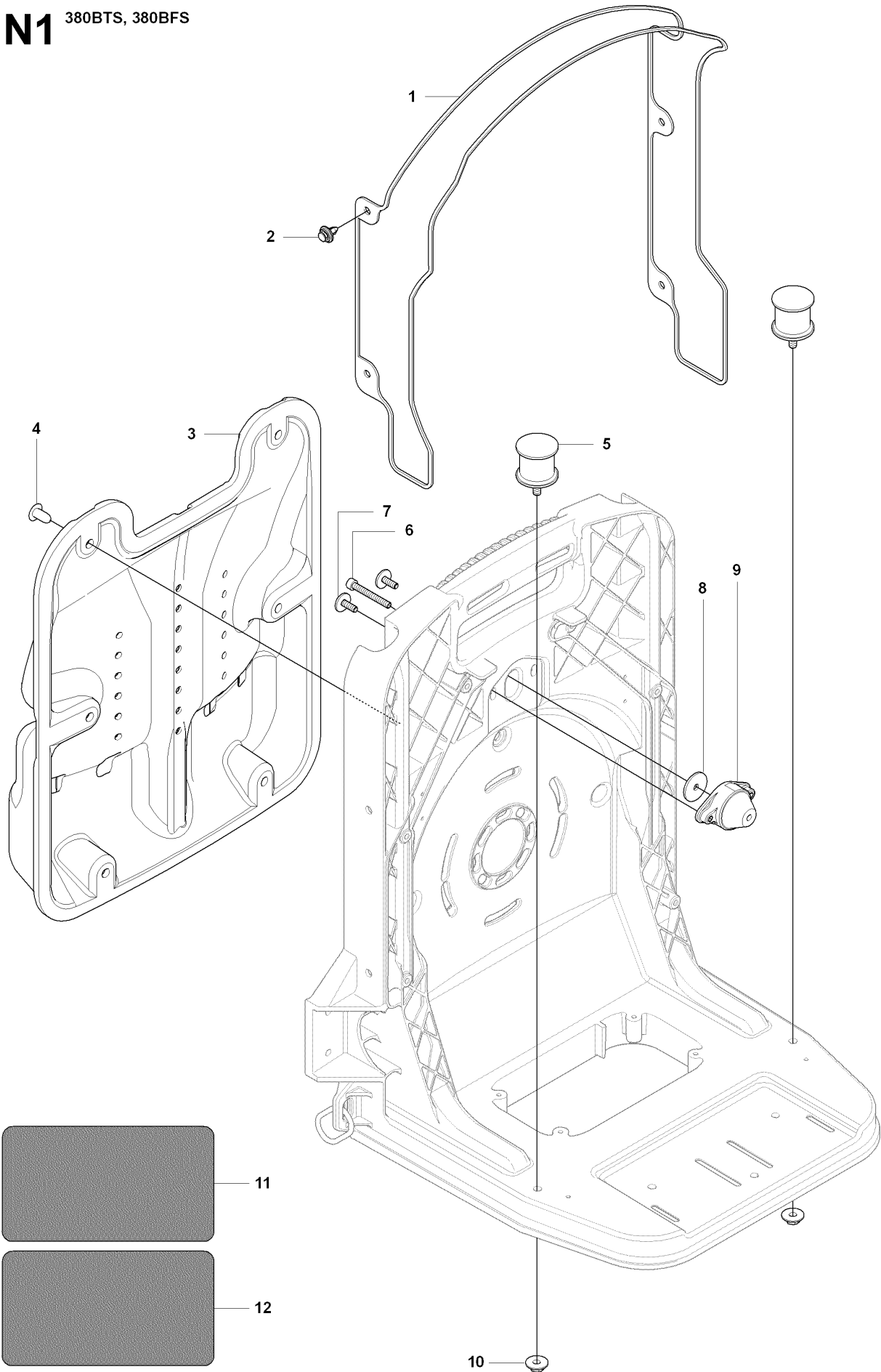
Ref	Part No	Description	Remark	QTY KIT
1	504 79 65-01	PISTON RING		2
2	504 79 63-01	PISTON		1
3	504 79 64-01	PISTON PIN		1
4	544 25 95-01	SNAP RING		2
5	544 25 96-01	BEARING		1
6	544 25 97-01	WASHER		2
7	544 26 00-01	KEY		1
8	544 25 98-01	CRANKSHAFT		1

M 380BTS, 380BFS



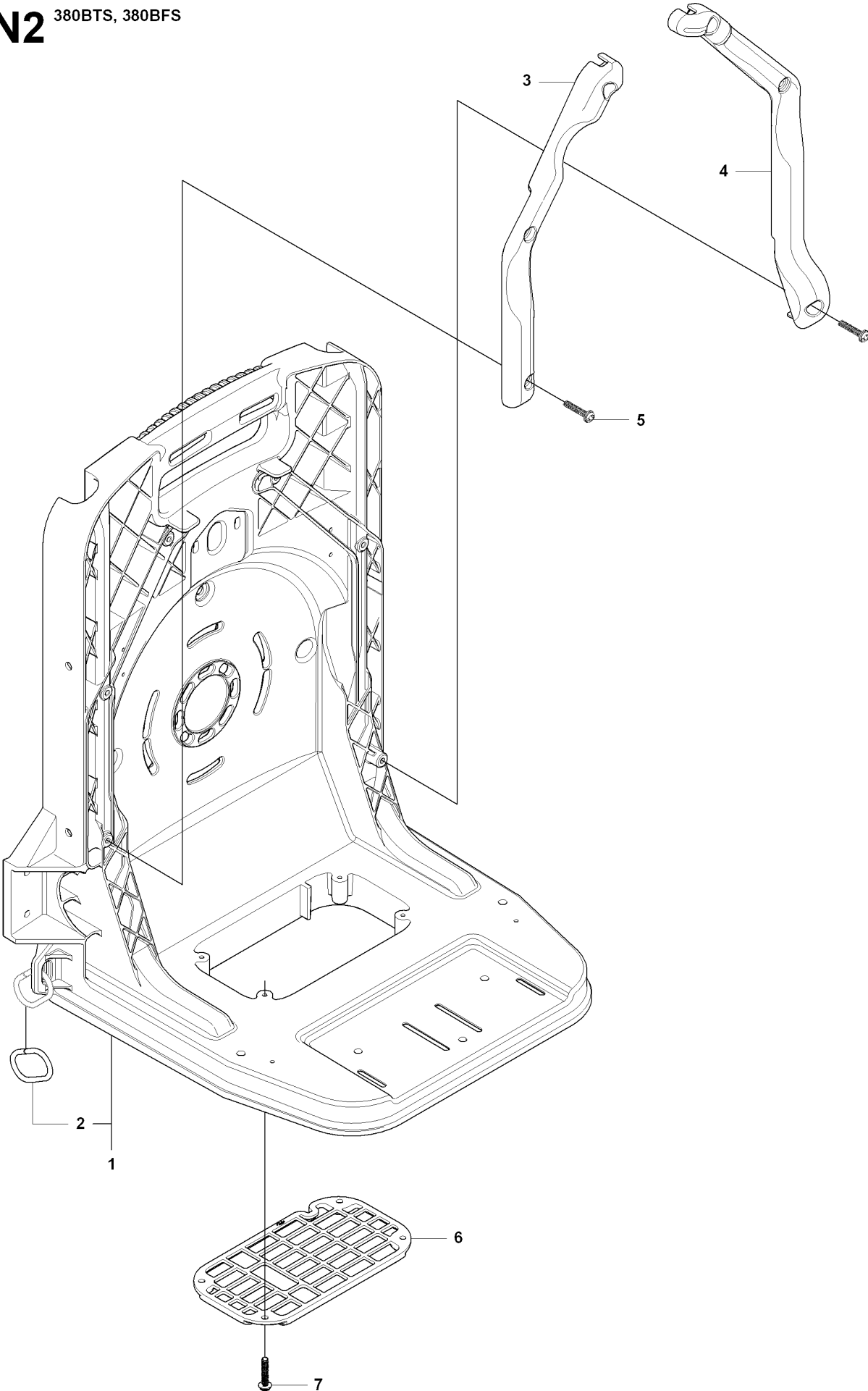
Ref	Part No	Description	Remark	QTY KIT
1	544 26 43-01	SCREW		3
2	505 18 43-01	FUNNEL		1
3	544 26 46-01	SCREW		2
4	544 26 36-01	SCREW		11
5	505 18 41-01	FAN HOUSING		1
6	544 26 51-01	BOLT		2
7	505 18 44-01	FAN		1
8	544 26 47-01	NUT		2
9	504 12 23-01	CLAMP	BT	1
10	544 26 36-01	SCREW		6
11	544 26 49-01	CLAMP		1
12	544 26 43-01	SCREW		1
13	505 18 42-01	FAN HOUSING		1
14	505 18 45-01	COVER		2

N1 380BTS, 380BFS



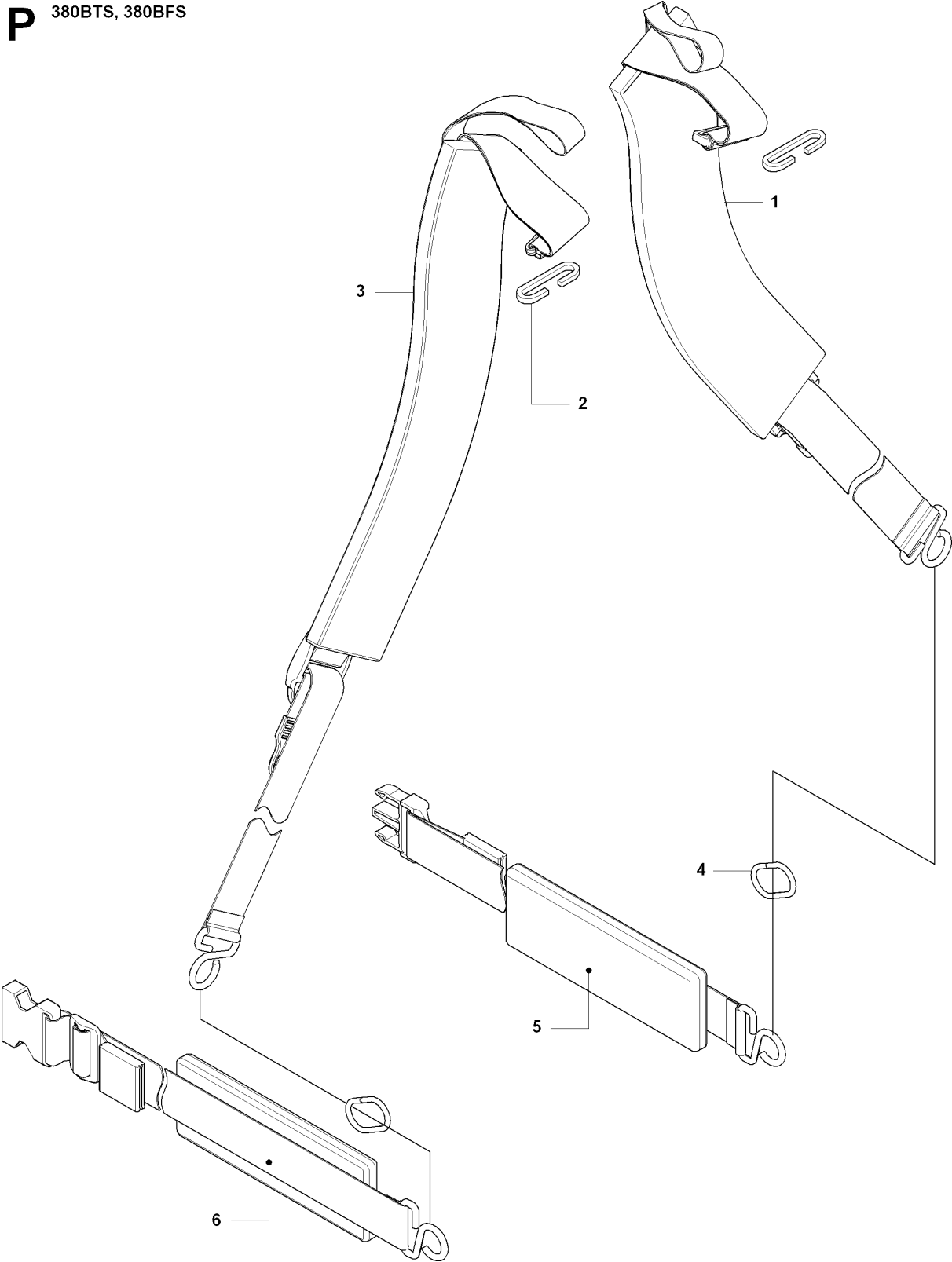
Ref	Part No	Description	Remark	QTY KIT
1	505 18 46-01	NET-C		1
2	505 18 47-01	CLIP		4
3	505 18 48-01	PAD		1
4	544 27 02-01	CLIP		6
5	544 27 09-01	DAMPER		2
6	505 18 49-01	CLIP		2
7	544 27 07-01	BOLT		1
8	502 85 05-01	WASHER		1
9	544 27 05-01	DAMPER		1
10	544 27 10-01	NUT		2
11	505 18 50-01	LABEL	BT	1
12	505 18 50-02	LABEL	BF	1

N2 380BTS, 380BFS



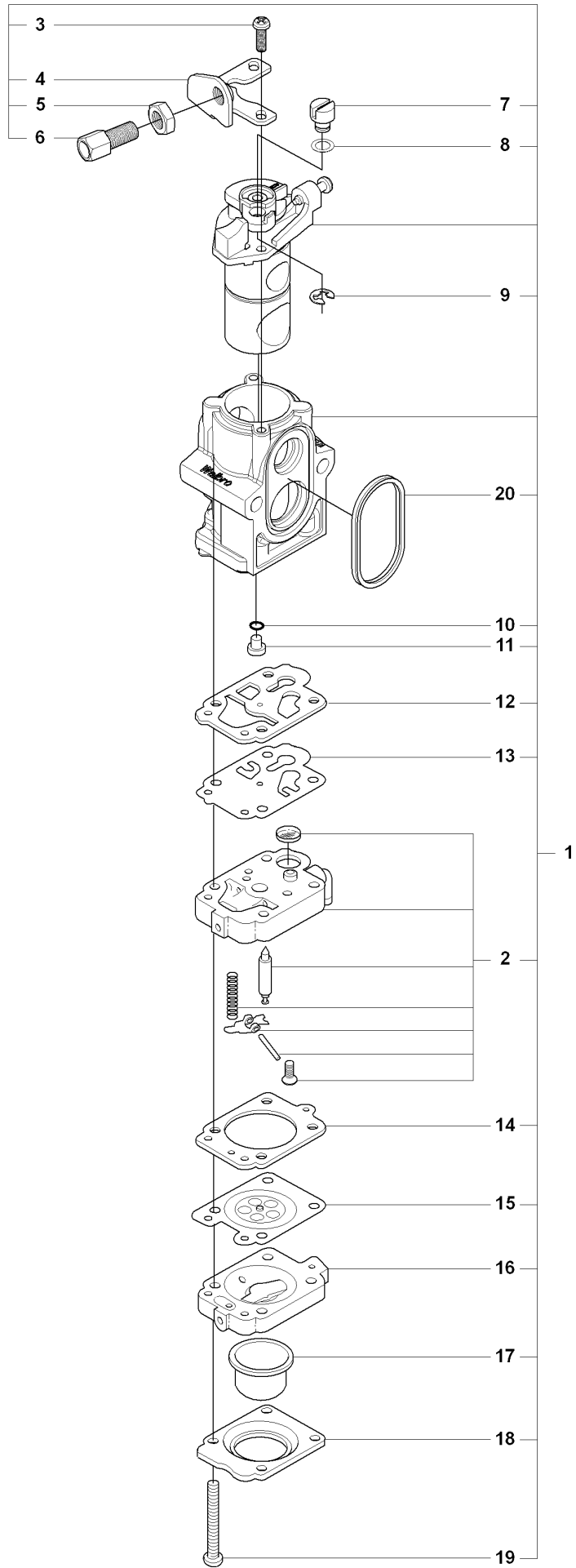
Ref	Part No	Description	Remark	QTY KIT
1	505 18 51-01	FRAME		1
2	544 26 97-01	RING		2
3	505 18 53-01	GUARD		1
4	505 18 54-01	GUARD		1
5	544 26 43-01	SCREW		6
6	505 18 52-01	SCREEN		1
7	544 26 43-01	SCREW		1

P 380BTS, 380BFS



Ref	Part No	Description	Remark	QTY KIT
1	505 18 56-01	BAND		1
2	544 27 00-01	CLIP		2
3	505 18 55-01	BAND		1
4	544 26 97-01	RING		2
5	544 27 45-01	BAND		1
6	544 27 46-01	BAND		1

Q 380BTS, 380BFS

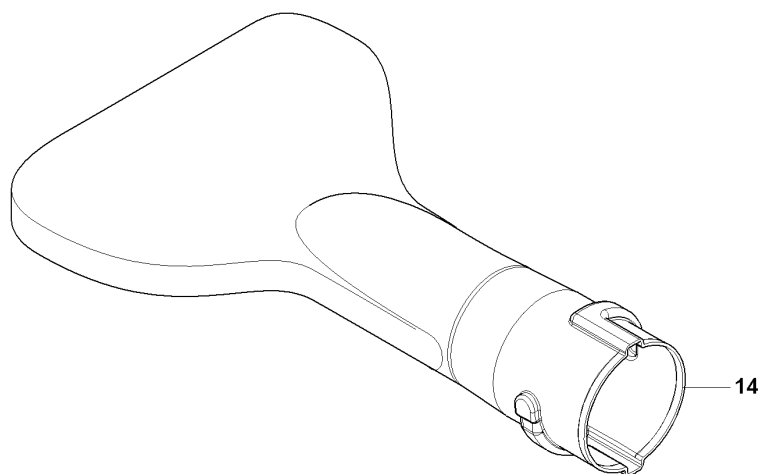
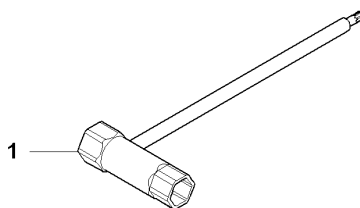


CARBURETOR DETAILS

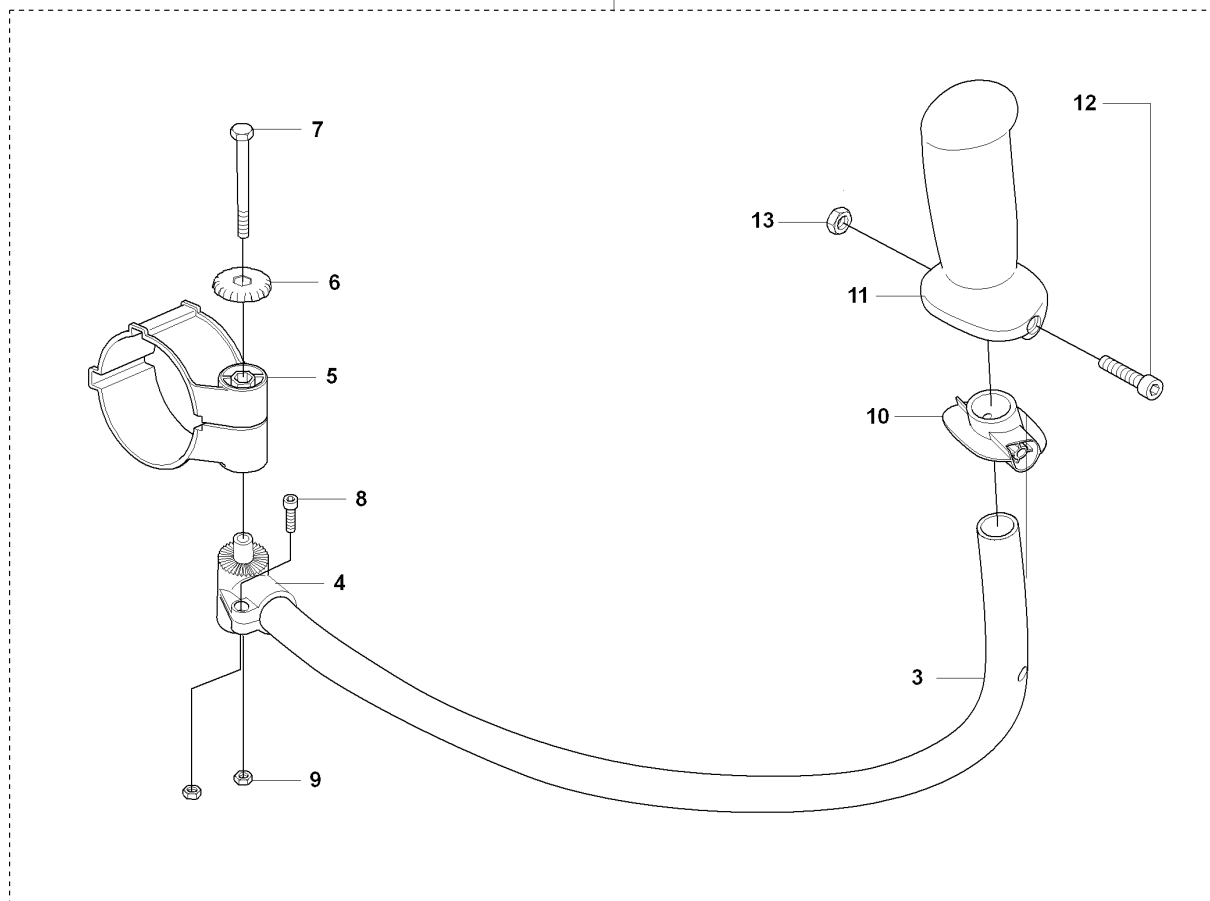
380 BTS, 2009-03

Ref	Part No	Description	Remark	QTY KIT
1	505 18 31-01	CARBURETTOR		1
2	544 36 35-01	BODY CARBURETTOR		1
3	544 36 47-01	SCREW		2
4	544 36 48-01	BRACKET		1
5	544 36 49-01	NUT		1
6	544 36 50-01	SCREW		1
7	544 36 41-01	SWIVEL CARB		1
8	544 36 40-01	WASHER		1
9	544 36 42-01	RING		1
10	544 36 54-01	O-RING		1
11	544 36 53-01	JET		1
12	544 36 43-01	GASKET		1
13	544 36 44-01	DIAPHRAGM CARBURETTOR		1
14	544 36 45-01	GASKET		1
15	504 64 31-01	DIAPHRAGM CARBURETTOR		1
16	544 36 46-01	DIAPHRAGM CARBURETTOR		1
17	544 36 39-01	PUMP		1
18	544 36 38-01	COVER		1
19	544 36 52-01	SCREW		4
20	544 36 51-01	RING		1

R 380BTS, 380BFS
 Accessories
 Zubehöre
 Accessoires
 Accesorios
 Tillbehör



2



ACCESSORIES

380 BTS, 2009-03

Ref	Part No	Description	Remark	QTY KIT
1	544 27 44-01	SOCKET		1
2	544 40 00-01	HANDLEBAR ASSY		1
3	537 24 13-01	HANDLEBAR		1
4	537 29 29-01	BRACKET		1
5	544 27 59-01	HOLDER		1
6	502 20 40-01	KNOB		1
7	725 23 47-51	SCREW EHHM		1
8	725 53 25-55	SCREW IHSCM		1
9	731 23 14-01	HEXAGON NUT		2
10	537 17 29-01	COVER		1
11	537 17 28-01	HANDLE		1
12	503 20 02-45	SCREW IHSCFM		1
13	731 23 14-01	HEXAGON NUT		1
14	544 27 48-01	NOZZLE		1