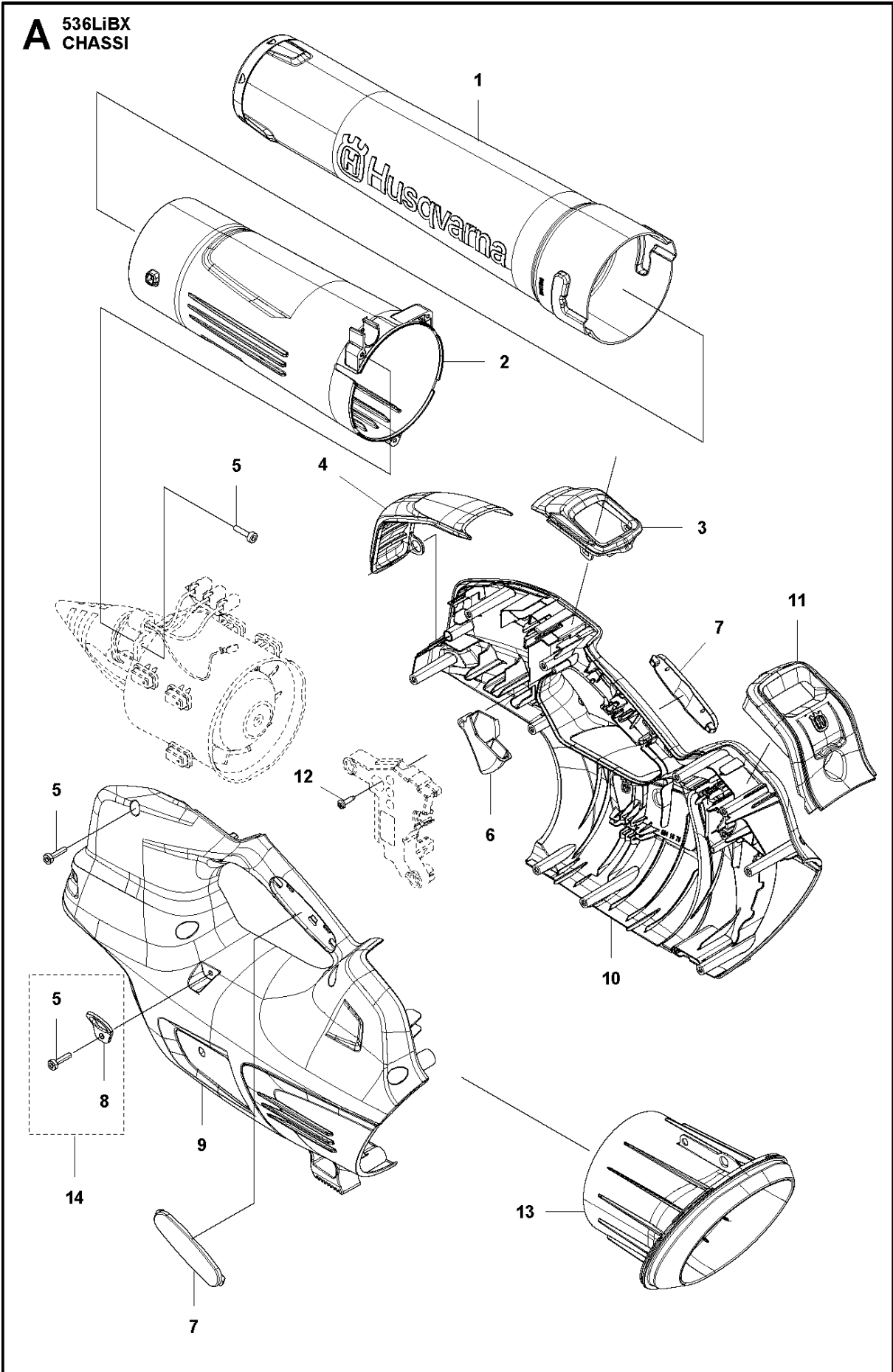




SPARE PARTS LIST

BLOWERS

536LiBX

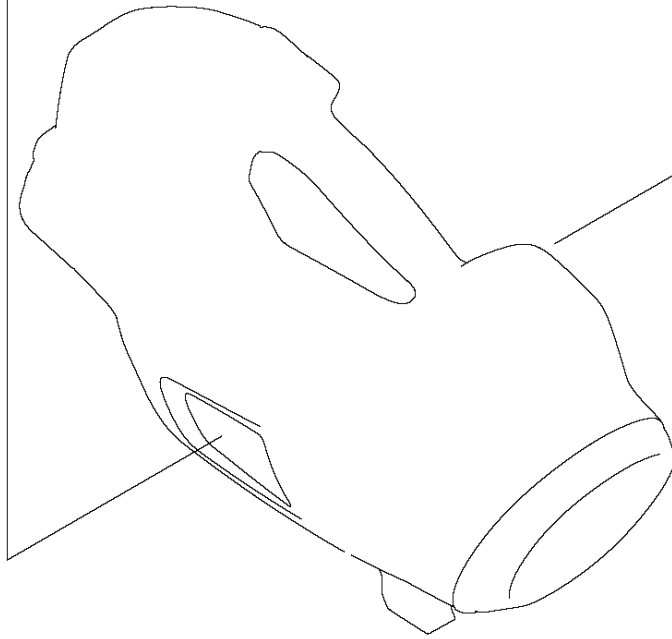
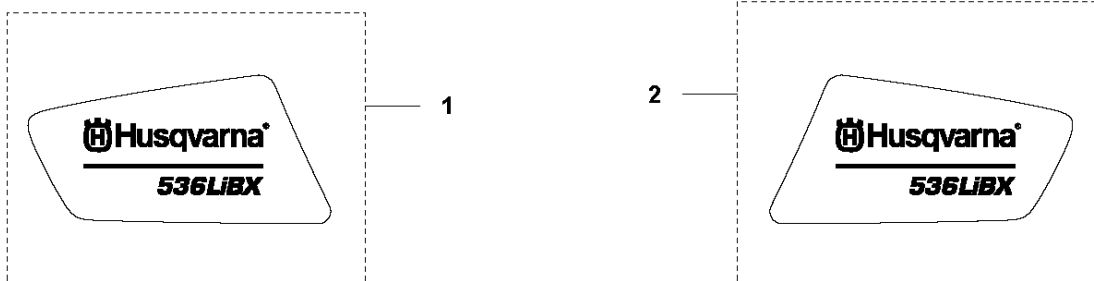


CHASSIS

536LiBX

| Ref | Part No | Description | Remark | QTY | KIT |
|-----|--------------|------------------|--------|-----|-----|
| 1 | 586 10 63-02 | TUBE ASSY | | 1 | |
| 2 | 584 15 66-01 | TUBE | | 1 | |
| 3 | 584 21 37-01 | FRAME | | 1 | |
| 4 | 584 91 47-01 | COVER | | 1 | |
| 5 | 579 21 19-01 | SCREW IHSCT | | 13 | |
| 6 | 579 56 41-02 | THROTTLE CONTROL | | 1 | |
| 7 | 544 04 20-03 | HANDLE INSERT | | 2 | |
| 8 | 586 51 42-01 | EYELET | | 1 | |
| 9 | 584 15 76-01 | HOUSING | | 1 | |
| 10 | 584 15 75-01 | HOUSING | | 1 | |
| 11 | 587 20 30-01 | COVER | | 1 | 15 |
| 12 | 503 21 28-13 | SCREW CCRPANT | | 1 | |
| 13 | 587 98 51-01 | INLET | | 1 | |
| 14 | 588 00 97-01 | KIT | | 1 | |

B 536LiBX
DECALS

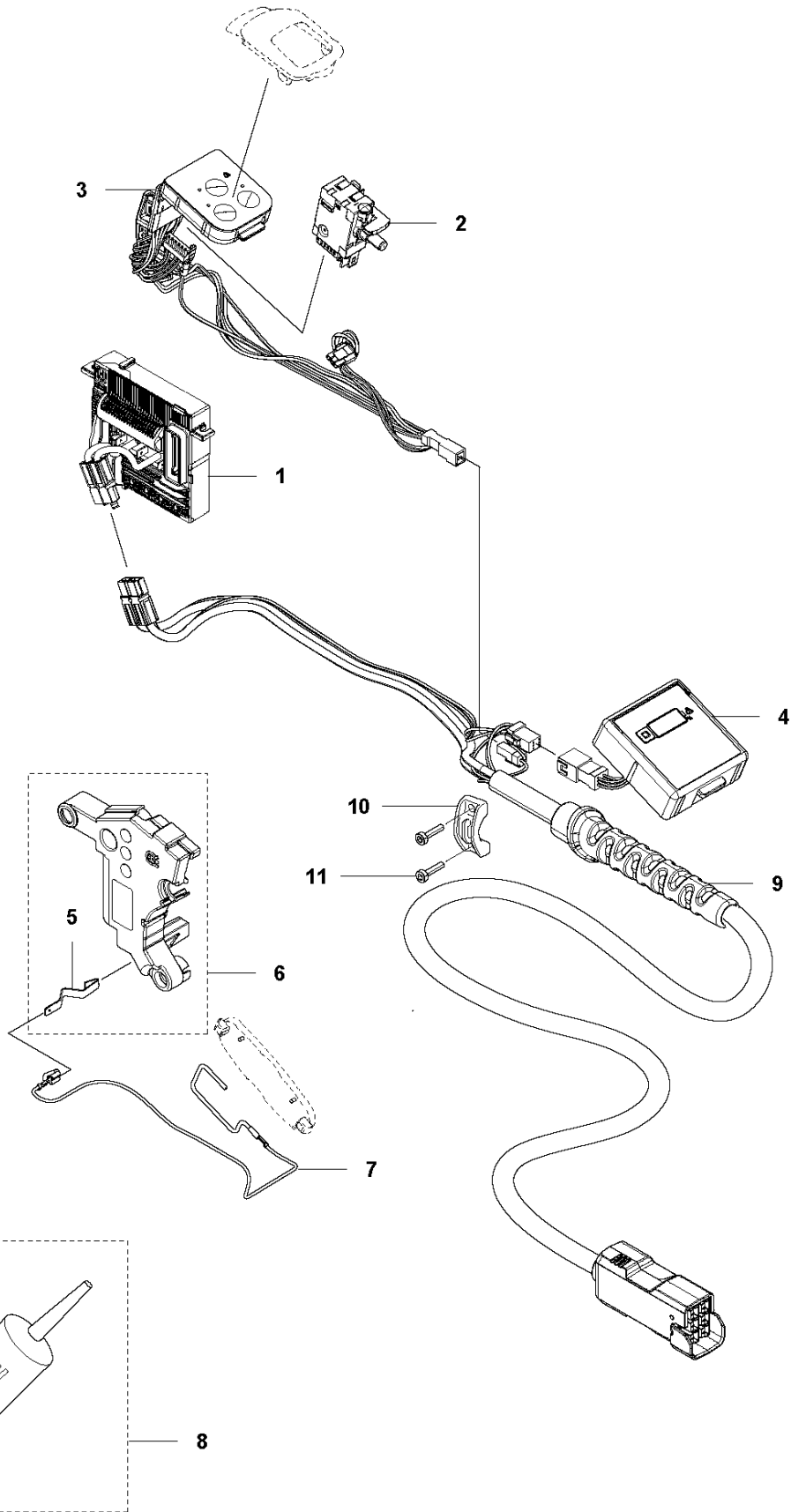


DECALS

536LiBX

| Ref | Part No | Description | Remark | QTY KIT |
|-----|--------------|-------------|-------------|---------|
| 1 | 588 22 66-01 | DECAL | DECAL LEFT | 1 |
| 2 | 588 22 67-01 | DECAL | DECAL RIGHT | 1 |
| 3 | 577 84 43-01 | DECAL | | 1 |

C 536LiBX
ELECTRIC SYSTEM

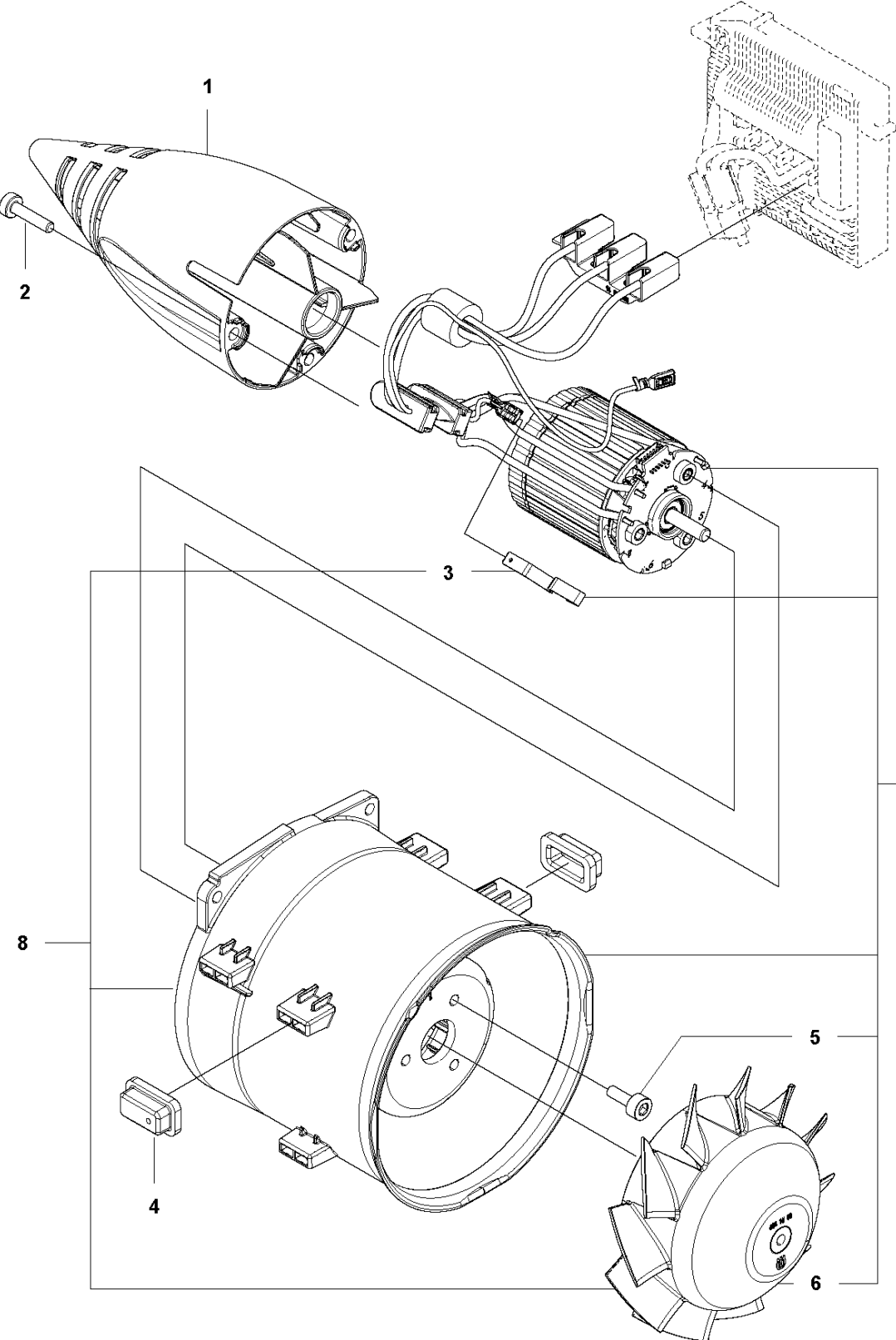


ELECTRICAL

536LiBX

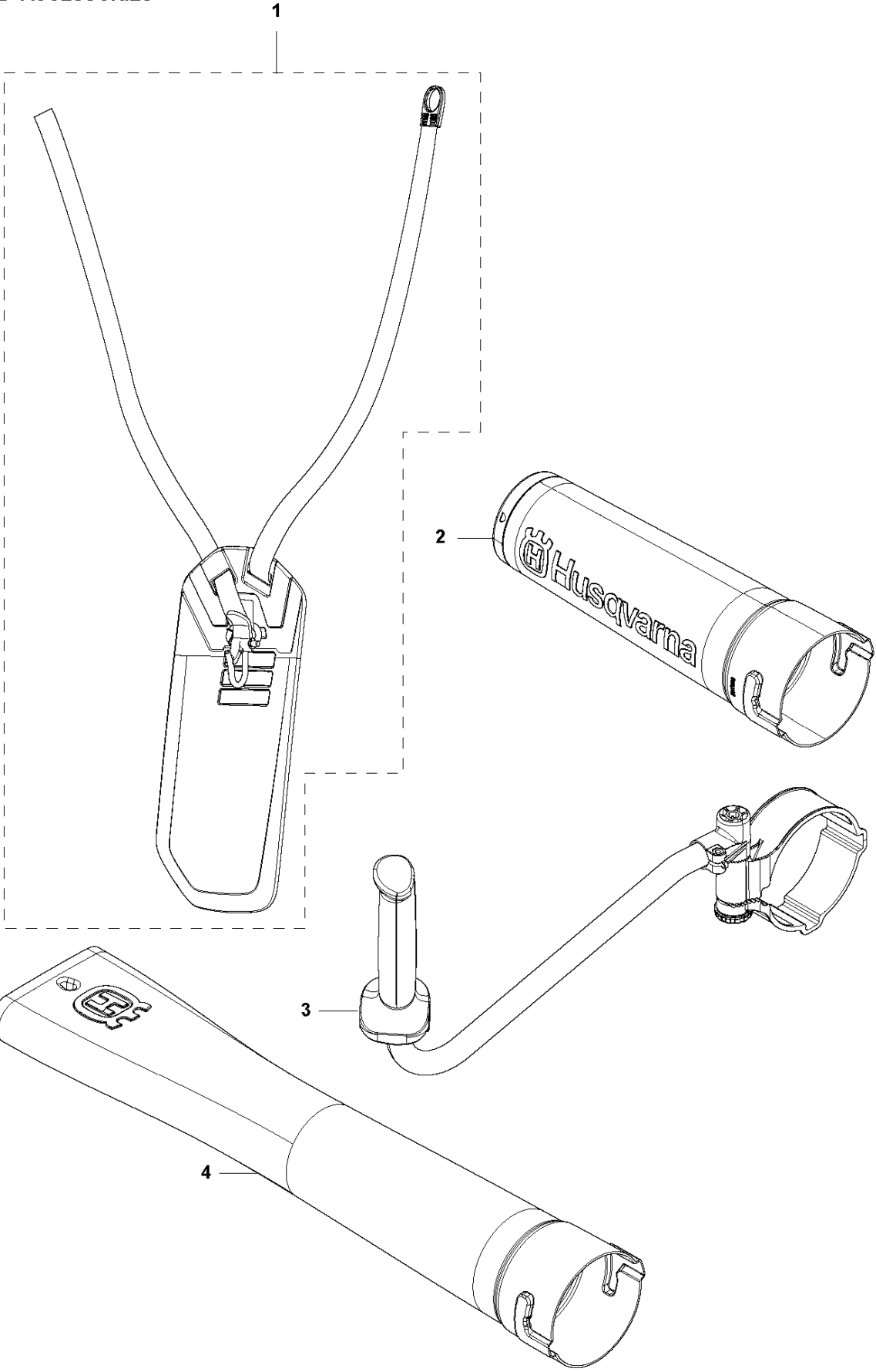
| Ref | Part No | Description | Remark | QTY KIT |
|-----|--------------|----------------|--------|---------|
| 1 | 587 94 86-01 | CONTROL UNIT | | 1 |
| 2 | 578 32 69-01 | TRIGGER SWITCH | | 1 |
| 3 | 588 07 37-01 | WIRING ASSY | | 1 |
| 4 | 587 97 82-01 | DISPLAY | | 1 |
| 5 | 586 49 22-01 | SPRING | | 2 |
| 6 | 588 00 98-01 | KIT | | 1 |
| 7 | 586 96 39-01 | WIRING ASSY | | 1 |
| 8 | 588 17 64-01 | GREASE | | 1 |
| 9 | 587 91 73-01 | WIRING ASSY | | 1 |
| 10 | 581 47 23-01 | CABLE CLAMP | | 1 |
| 11 | 579 21 19-01 | SCREW IH SCT | | 2 |

D 536LiBX
FAN SYSTEM



| Ref | Part No | Description | Remark | QTY | KIT |
|-----|--------------|--------------|--------|-----|-----|
| 1 | 584 15 65-01 | CONE | | 1 | |
| 2 | 579 21 19-01 | SCREW IH SCT | | 3 | |
| 3 | 586 49 22-01 | SPRING | | 1 | 7,8 |
| 4 | 503 91 10-01 | SUSPENSION | | 6 | |
| 5 | 503 20 25-12 | SCREW IH SCM | | 3 | 7 |
| 6 | 584 15 60-01 | ROTOR | | 1 | 7,8 |
| 7 | 588 00 99-01 | MOTOR ASSY | | 1 | |
| 8 | 588 01 00-01 | KIT | | 1 | |

E 536LiBX
ACCESSORIES



ACCESSORIES

536LiBX

| Ref | Part No | Description | Remark | QTY KIT |
|-----|--------------|-------------|--------|---------|
| 1 | 587 83 40-01 | HIP PAD | | 1 |
| 2 | 586 10 63-01 | TUBE ASSY | | 1 |
| 3 | 501 71 51-01 | HANDLE ASSY | | 1 |
| 4 | 579 79 75-01 | NOZZLE | | 1 |