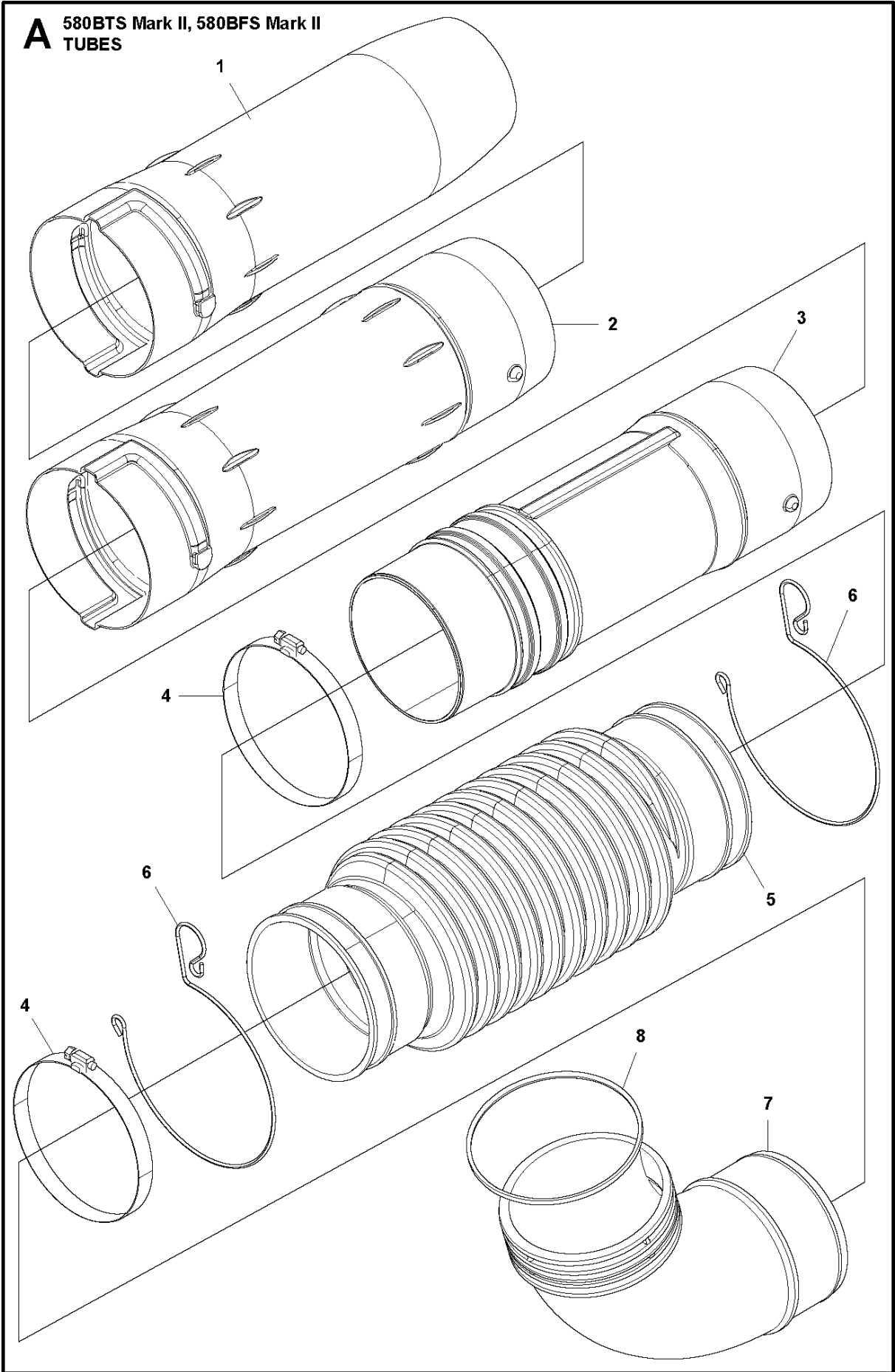




SPARE PARTS LIST

BLOWERS

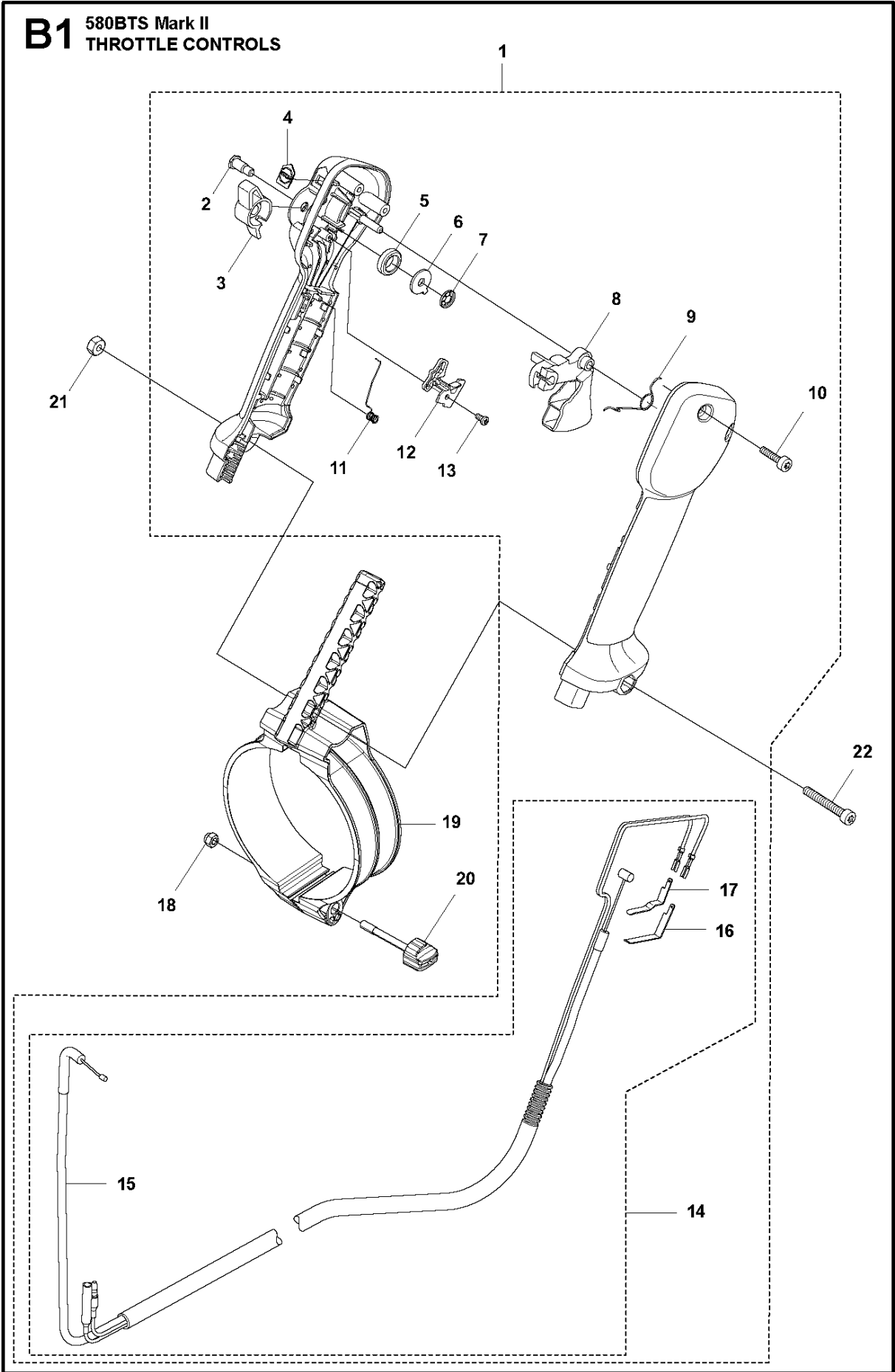
580BFS Mark II, 580BTS Mark II



TUBE

580BFS Mark II, 580BTS Mark II

Ref	Part No	Description	Remark	QTY KIT
1	593 85 41-02	PIPE		1
2	593 85 45-02	PIPE		1
3	593 85 42-02	PIPE		1
4	593 85 50-01	CLAMP		2
5	593 85 40-01	HOSE		1
6	593 85 51-01	CLAMP	For 580BTS only	2
7	593 85 39-02	ELBOW		1
8	581 29 08-01	O-RING		1



THROTTLE CONTROLS

580BFS Mark II, 580BTS Mark II

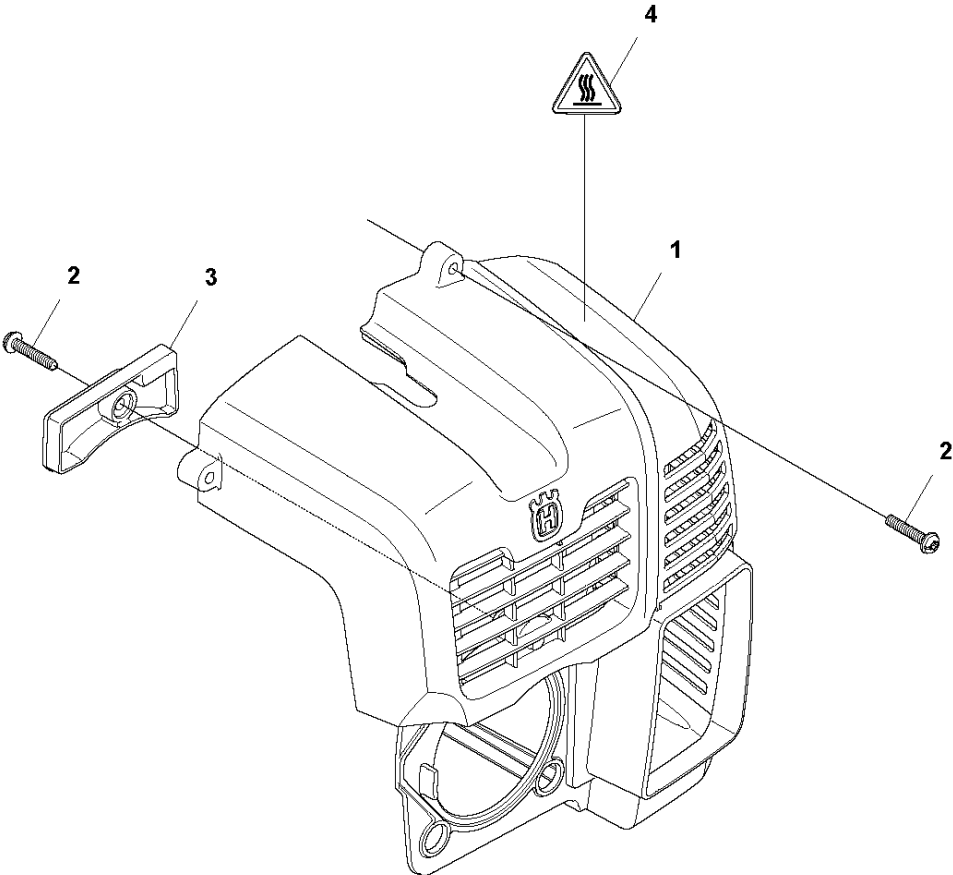
Ref	Part No	Description	Remark	QTY	KIT
1	593 97 05-02	THROTTLE LEVER ASSY		1	
2	537 14 12-03	SHAFT PIVOT		1	1
3	502 24 55-01	CONTROL		1	1
4	502 64 17-01	PLATE		1	1
5	591 17 64-01	SPRING		1	1
6	505 18 15-01	WASHER		1	1
7	735 58 35-01	WASHER		1	1
8	502 24 54-01	TRIGGER		1	1
9	537 17 42-01	SPRING THROTTLE TRIG		1	1
10	505 29 12-01	SCREW		2	1
11	505 56 79-01	SPRING		1	1
12	502 24 60-01	RETAINER		1	1
13	505 29 10-01	SCREW		1	1
14	576 78 56-01	WIRING ASSY		1	1
15	576 78 58-01	CABLE		1	1,14
16	537 22 62-01	CONNECTOR		1	1,14
17	537 22 63-01	CONNECTOR		1	1,14
18	505 05 15-01	NUT		1	
19	593 85 49-02	HANDLE HOLDER		1	
20	576 56 55-02	KNOB		1	
21	510 91 12-01	NUT		1	1
22	505 29 08-01	SCREW		1	1

THROTTLE CONTROLS

580BFS Mark II, 580BTS Mark II

Ref	Part No	Description	Remark	QTY	KIT
1	597 63 85-02	GRIP		1	
2	513 67 14-01	NUT		1	1
3	514 33 85-01	WING NUT		1	1
4	514 15 44-01	WASHER		2	1
5	510 90 98-01	WING BOLT		1	1
6	576 56 24-01	LEVER		1	
7	576 56 29-01	LEVER		1	6
8	576 56 26-01	ARM		1	6
9	576 56 32-01	PLATE		1	6
10	576 56 28-01	STOPPER		1	6
11	576 56 33-01	WASHER		1	6
12	576 56 31-01	PLATE		1	6
13	576 56 27-01	COVER		1	6
14	576 56 35-01	BOLT		2	6
15	506 74 52-01	BOLT		1	6
16	513 35 19-01	HUB CAP		1	6
17	514 33 62-01	BOLT		1	6
18	514 33 67-01	WASHER		2	6
19	576 56 36-01	BRACKET		1	6
20	514 33 63-01	SPRING		1	6
21	514 33 65-01	WASHER		1	6
22	521 51 96-01	NUT		1	6
23	576 56 34-01	CABLE		1	6
24	544 27 76-01	TUBE		1	6
25	576 56 30-01	SWITCH		1	6
26	544 27 08-01	SCREW		2	

C 580BTS Mark II, 580BFS Mark II
CYLINDER COVER

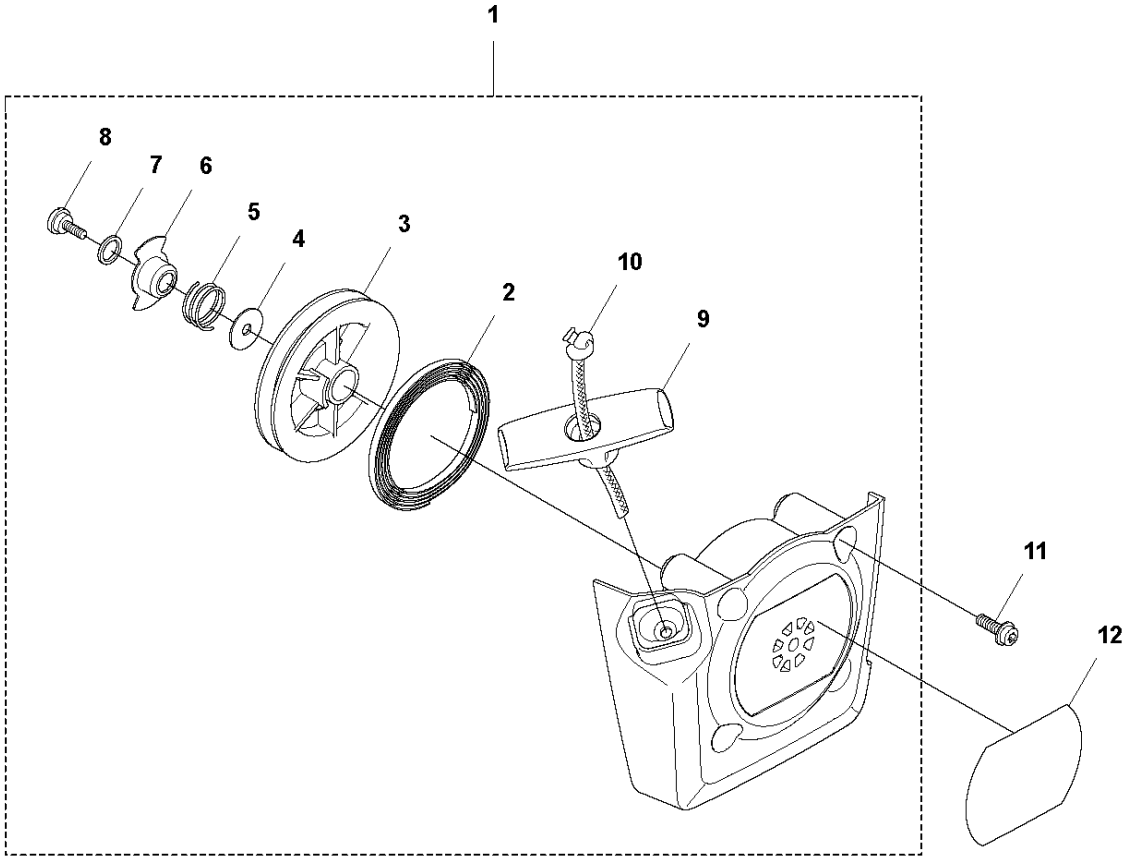


CYLINDER COVER

580BFS Mark II, 580BTS Mark II

Ref	Part No	Description	Remark	QTY KIT
1	576 57 85-01	ENGINE COVER		1
2	512 84 81-01	SCREW		5
3	576 57 86-01	COVER		1
4	521 55 36-01	LABEL		1

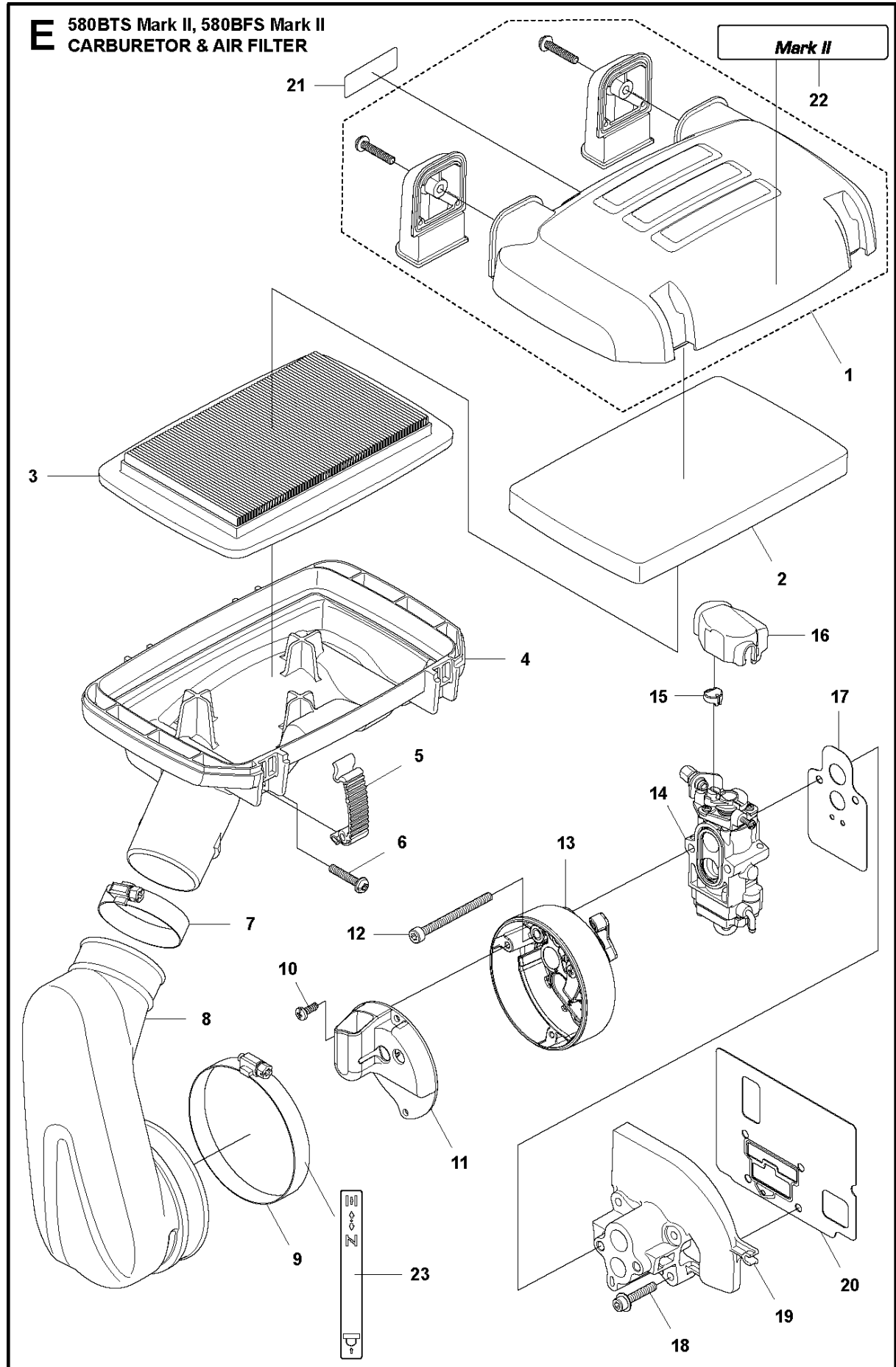
D 580BTS Mark II, 580BFS Mark II
STARTER



STARTER

580BFS Mark II, 580BTS Mark II

Ref	Part No	Description	Remark	QTY KIT	
1	578 28 35-01	STARTER ASSY		1	
2	521 62 96-01	SPRING		1	1
3	576 59 42-01	REEL		1	1
4	521 63 08-01	WASHER		1	1
5	521 63 06-01	SPRING		1	1
6	521 63 03-01	PLATE		1	1
7	521 63 12-01	WASHER		1	1
8	515 36 71-01	SCREW		1	1
9	537 23 25-01	STARTER HANDLE		1	1
10	577 05 31-01	ROPE		1	1
11	506 74 56-01	BOLT		4	
12	594 91 48-01	DECAL	For 580BTS	1	
12	594 91 48-02	DECAL	For 580BFS	1	

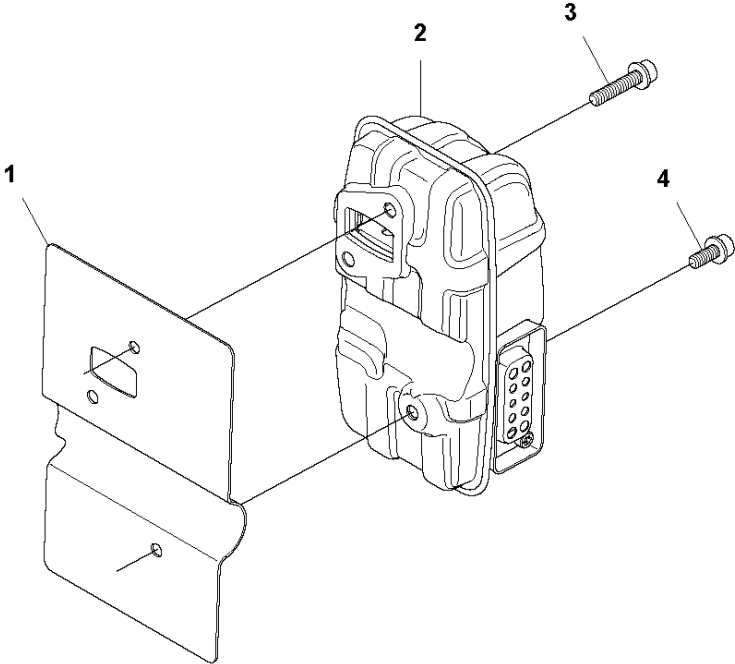


CARBURETOR & AIR FILTER

580BFS Mark II, 580BTS Mark II

Ref	Part No	Description	Remark	QTY KIT
1	576 58 49-01	AIR FILTER COVER		1
2	512 65 41-01	AIR FILTER		1
3	512 65 20-01	AIR FILTER		1
4	578 31 14-01	AIR FILTER HOLDER		1
5	503 89 47-01	SNAP LOCKING		4
6	512 84 81-01	SCREW		4
7	544 27 19-01	CLAMP		1
8	584 64 24-02	HOSE		1
9	544 27 40-01	CLAMP		1
10	506 67 38-01	SCREW		3
11	582 90 00-01	PLATE		1
12	515 39 07-01	BOLT		2
13	576 59 45-01	CUP		1
14	581 17 70-01	CARBURETTOR		1
15	513 35 24-01	HUB CAP		1
16	506 74 42-01	COVER		1
17	577 08 96-01	GASKET		1
18	576 58 98-01	BOLT		4
19	578 10 84-01	INSULATOR		1
20	577 69 48-01	GASKET		1
21	512 65 13-01	LABEL		1
22	594 91 46-01	DECAL		1
23	587 11 16-01	DECAL		1

F 580BTS Mark II, 580BFS Mark II
MUFFLER

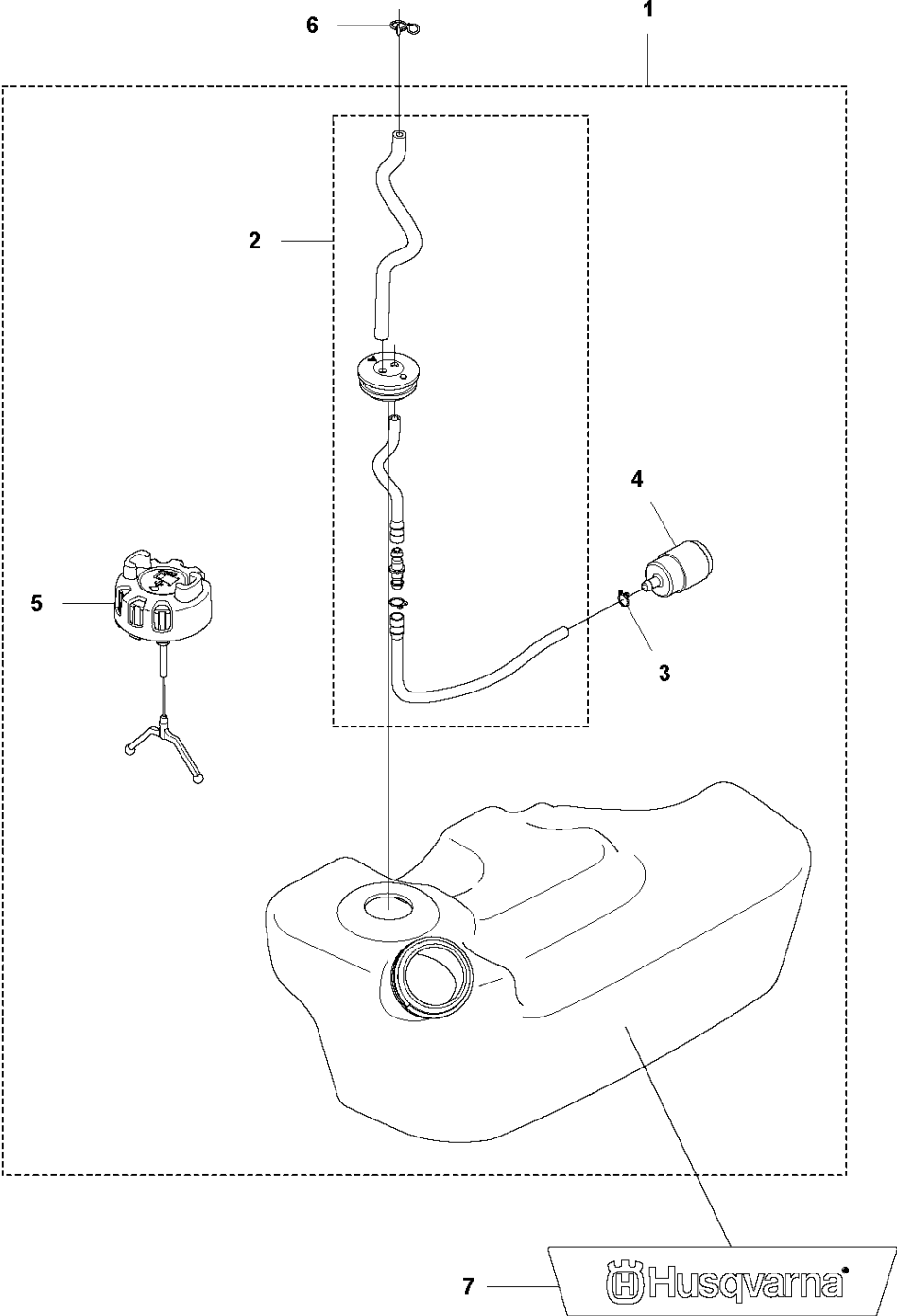


MUFFLER

580BFS Mark II, 580BTS Mark II

Ref	Part No	Description	Remark	QTY KIT
1	576 59 09-01	GASKET		1
2	585 04 42-01	MUFFLER ASSY		1
3	576 59 07-01	BOLT		2
4	576 59 08-01	BOLT		1

G 580BTS Mark II, 580BFS Mark II
FUEL TANK

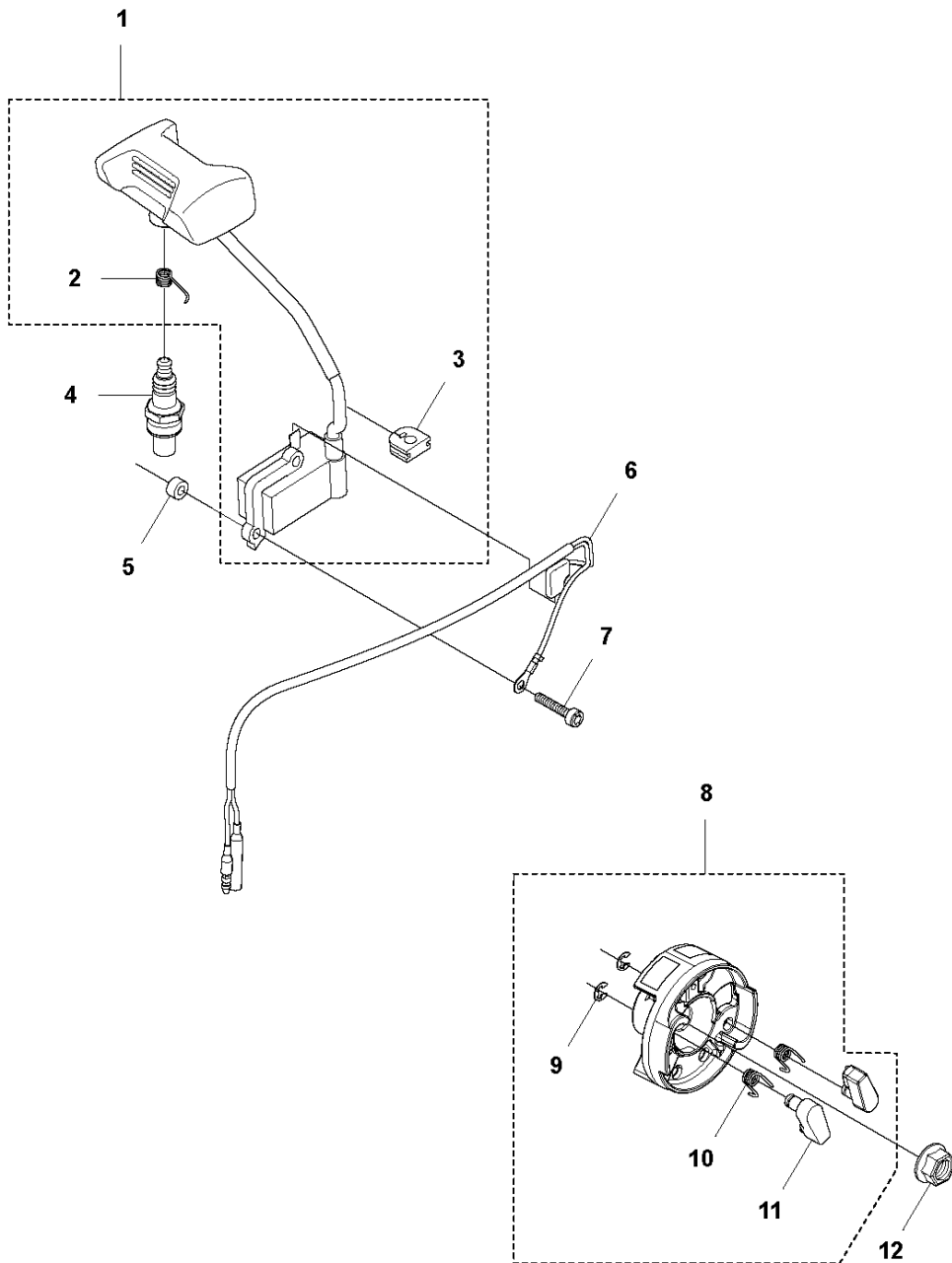


FUEL TANK

580BFS Mark II, 580BTS Mark II

Ref	Part No	Description	Remark	QTY	KIT
1	578 31 15-01	FUEL TANK	For all except USA and Canada	1	
1	579 14 08-01	TANK ASSY	For USA and Canada	1	
2	586 35 96-13	HOSE ASSY		1	1
3	506 70 70-01	CLIP		1	1
4	506 74 26-01	FILTER		1	1
5	504 03 18-01	TANK CAP ASSY		1	1
6	506 74 15-01	CLIP		1	
7	502 84 62-02	DECAL		1	

H 580BTS Mark II, 580BFS Mark II
IGNITION SYSTEM

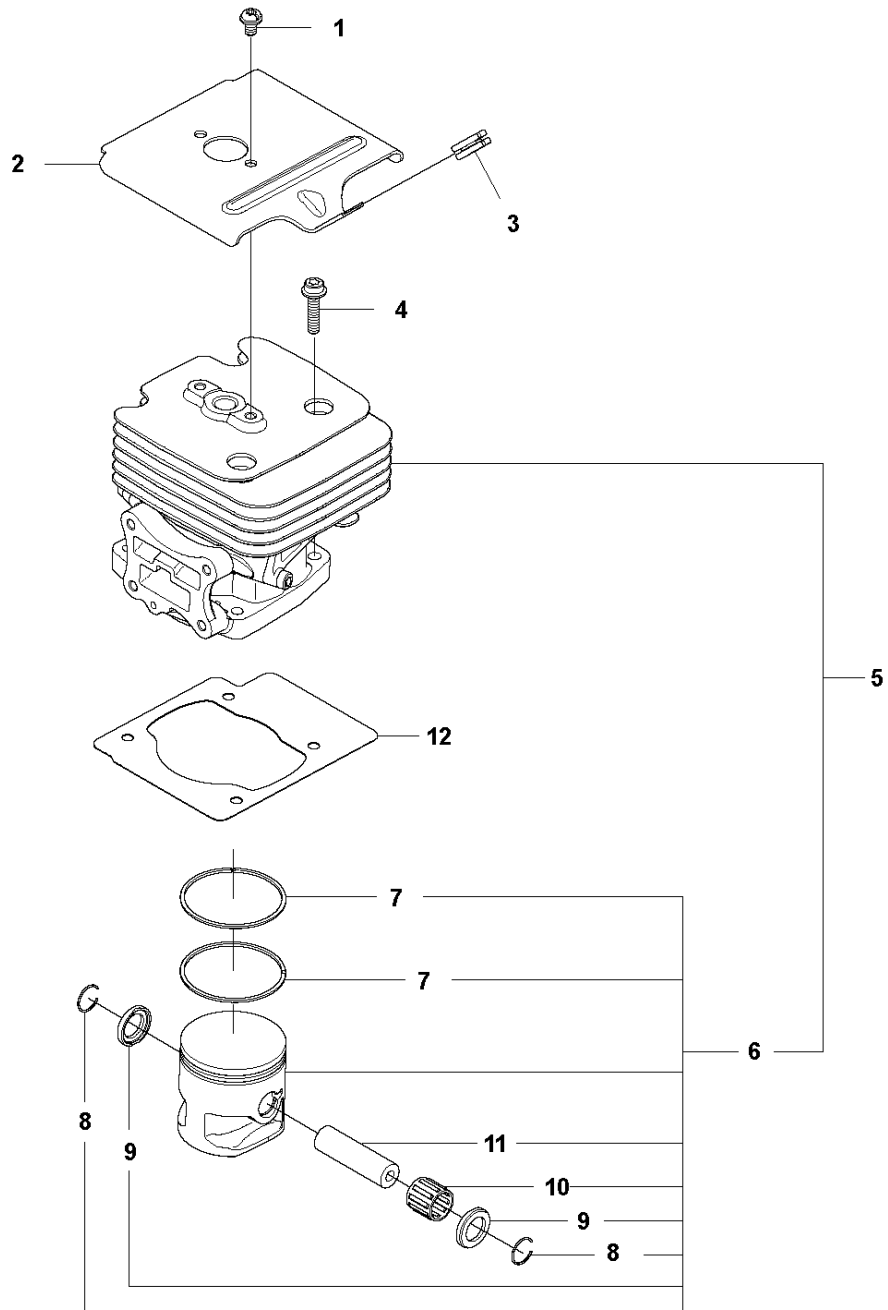


IGNITION SYSTEM

580BFS Mark II, 580BTS Mark II

Ref	Part No	Description	Remark	QTY KIT	
1	596 81 14-01	COIL		1	
2	506 65 52-01	SPRING		1	1
3	515 41 53-01	GROMMET		1	1
4	521 23 34-01	SPARK PLUG		1	
5	588 17 14-01	SPACER		2	
6	576 59 38-01	CORD		1	
7	579 38 30-01	BOLT		2	
8	587 65 51-01	ROTOR		1	
9	587 65 48-01	RING		2	8
10	587 65 49-01	SPRING		2	8
11	587 65 50-01	RATCHET		2	8
12	513 24 19-01	NUT		1	

J 580BTS Mark II, 580BFS Mark II
CYLINDER & PISTON

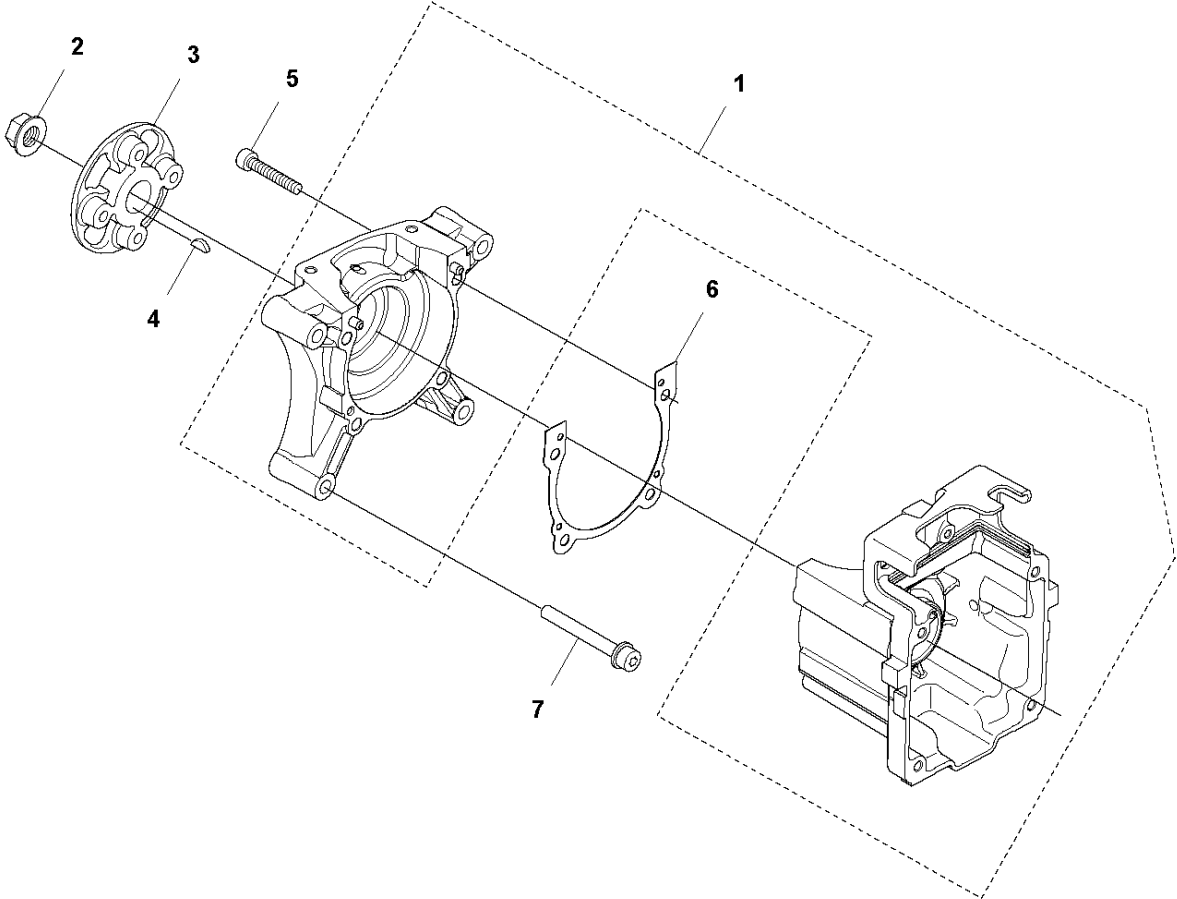


CYLINDER PISTON

580BFS Mark II, 580BTS Mark II

Ref	Part No	Description	Remark	QTY	KIT
1	544 25 68-01	SCREW		2	
2	576 58 95-01	PLATE		1	
3	576 58 96-01	GROMMET		1	
4	506 74 52-01	BOLT		4	
5	578 38 50-01	CYLINDER		1	
6	576 59 64-01	PISTON		1	5
7	576 59 67-01	RING		2	5, 6
8	521 53 19-01	SNAP RING		2	5, 6
9	521 52 05-01	WASHER		2	5, 6
10	576 69 64-01	BEARING		1	5, 6
11	576 59 68-01	PIN		1	5, 6
12	576 58 94-01	GASKET		1	

K 580BTS Mark II, 580BFS Mark II
CRANK CASE

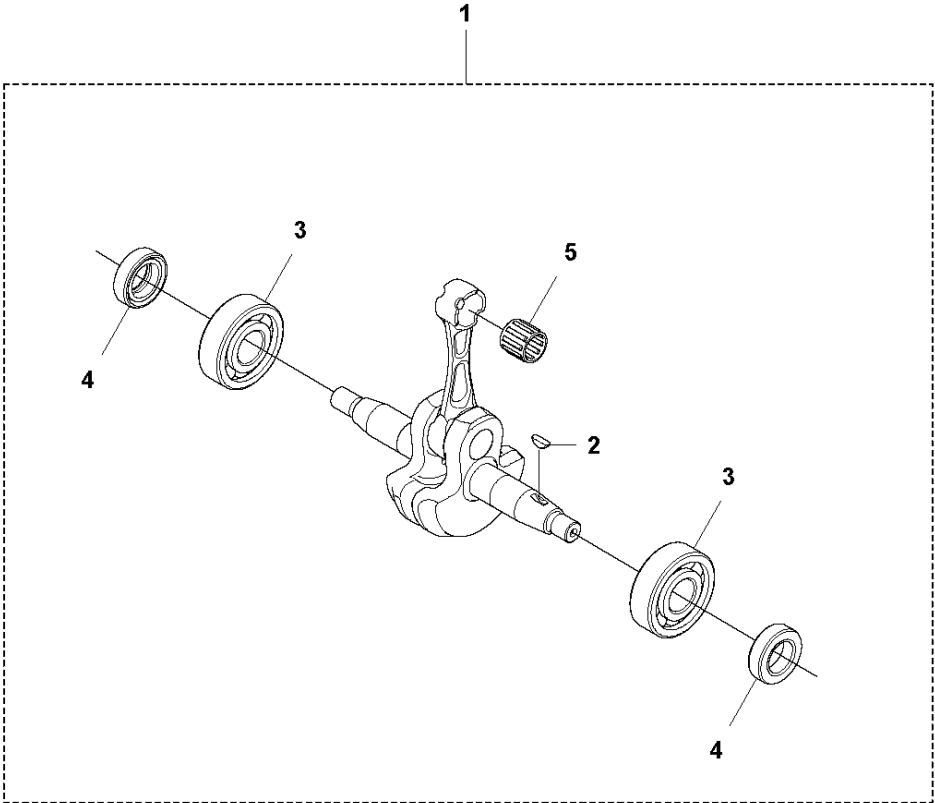


CRANKCASE

580BFS Mark II, 580BTS Mark II

Ref	Part No	Description	Remark	QTY KIT
1	576 59 11-01	CRANKCASE		1
2	513 24 19-01	NUT		1
3	576 59 27-01	COUPLING		1
4	506 68 94-01	KEY		1
5	515 38 81-01	BOLT		4
6	576 59 16-01	GASKET		1
7	576 56 43-01	BOLT		4

L 580BTS Mark II, 580BFS Mark II
CRANK SHAFT

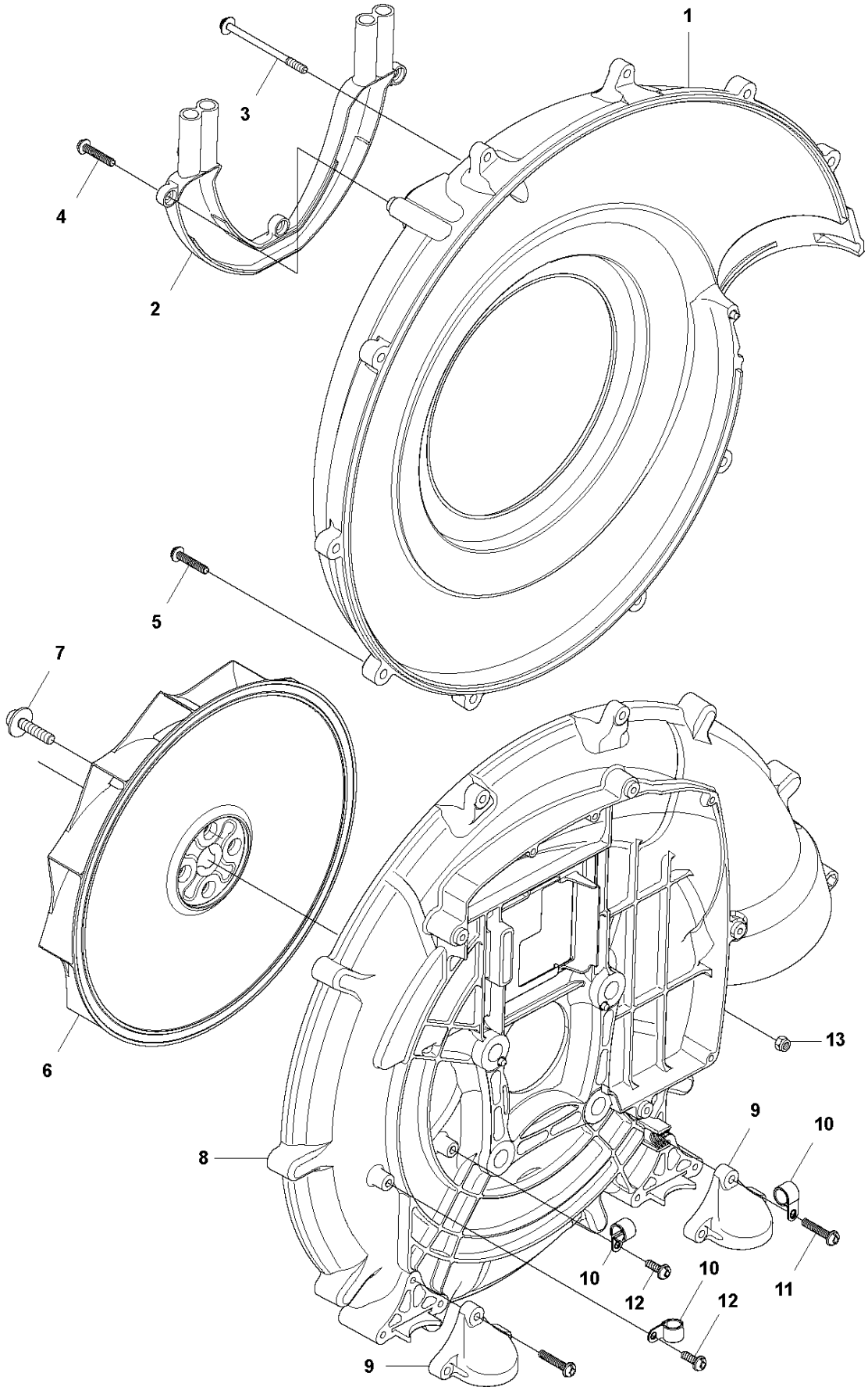


CRANKSHAFT

580BFS Mark II, 580BTS Mark II

Ref	Part No	Description	Remark	QTY	KIT
1	578 38 51-01	SERVICE KIT		1	
2	506 68 94-01	KEY		1	1
3	521 52 13-01	BEARING		2	1
4	521 52 19-01	SEAL		2	1
5	576 69 64-01	BEARING		1	1

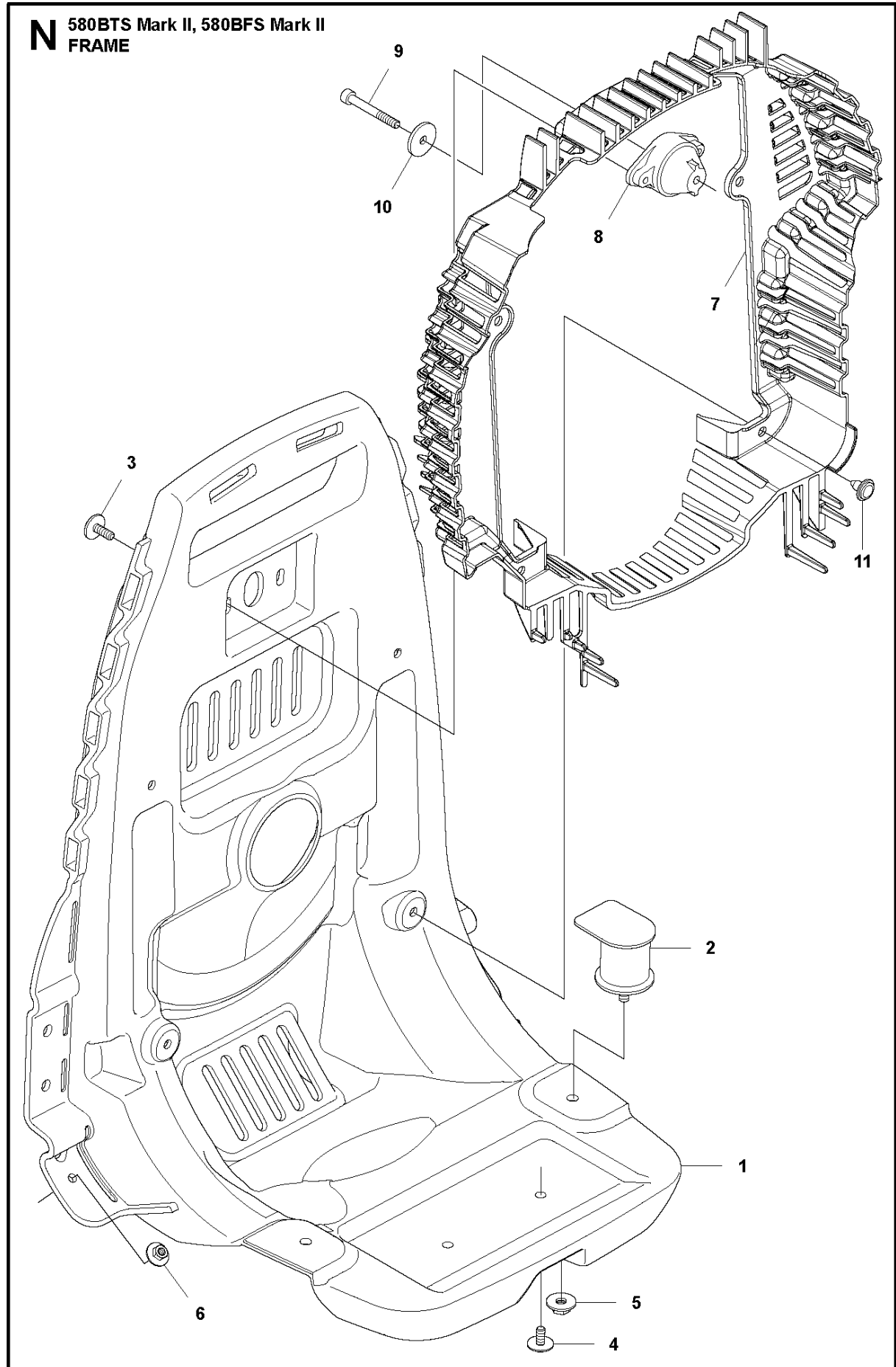
M 580BTS Mark II, 580BFS Mark II
FAN HOUSING



FAN

580BFS Mark II, 580BTS Mark II

Ref	Part No	Description	Remark	QTY KIT
1	576 58 44-01	VOLUTE		1
2	576 58 45-01	COVER		1
3	544 26 46-01	SCREW		2
4	512 84 81-01	SCREW		3
5	512 84 81-01	SCREW		8
6	589 26 61-01	FAN		1
7	576 56 16-01	BOLT		4
8	576 58 43-01	VOLUTE		1
9	576 57 94-01	BRACKET		2
10	504 12 23-01	CLAMP	For 580BTS	3
10	504 12 23-01	CLAMP	For 580BFS	2
11	512 84 81-01	SCREW		6
12	512 84 79-01	SCREW		2
13	505 05 15-01	NUT		2

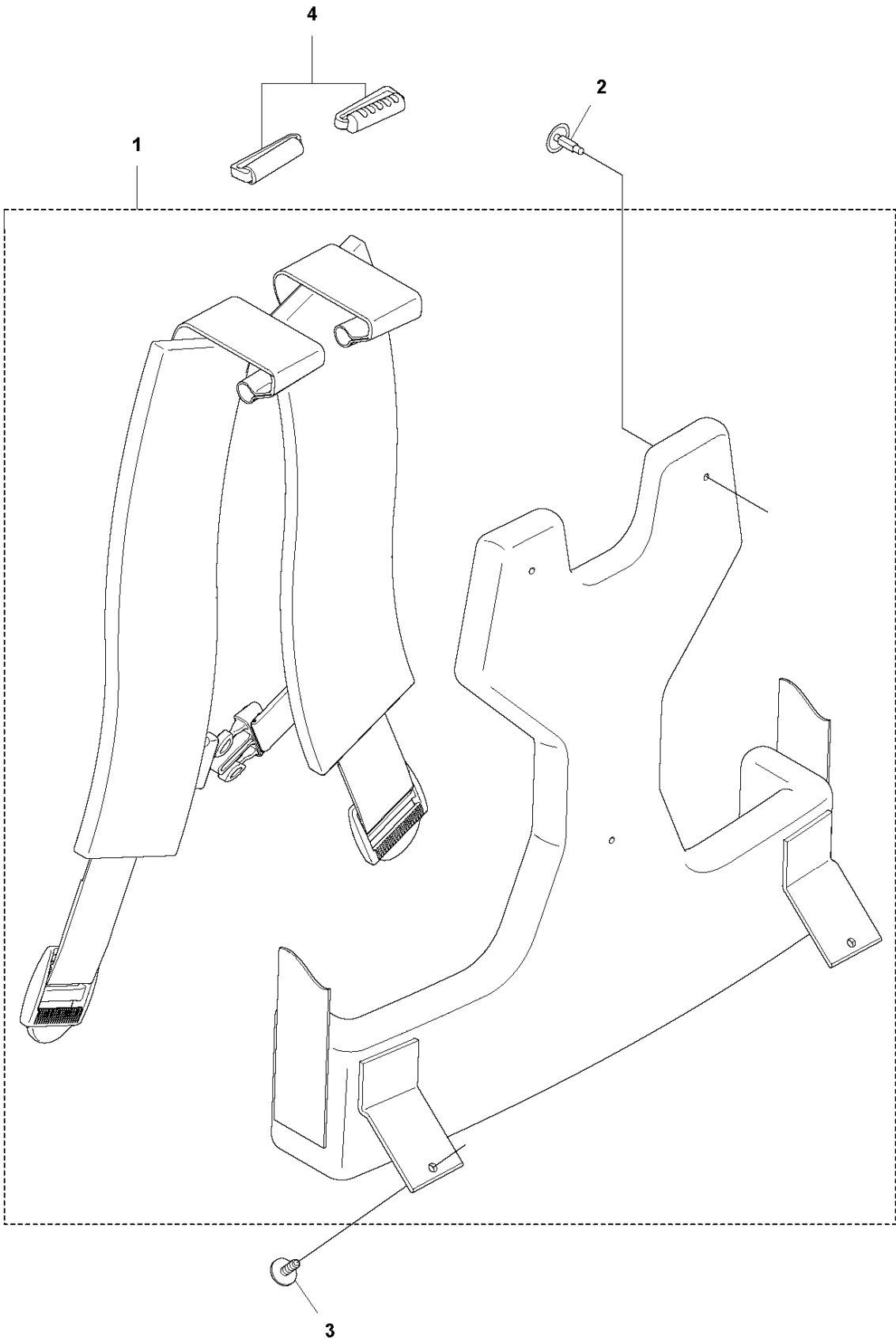


FRAME

580BFS Mark II, 580BTS Mark II

Ref	Part No	Description	Remark	QTY KIT
1	577 51 38-01	FRAME		1
2	576 56 22-01	DAMPER		2
3	544 27 08-01	SCREW		2
4	577 62 88-01	SCREW		2
5	513 66 75-01	NUT		2
6	505 18 26-01	NUT		2
7	579 65 94-02	NET		1
8	513 66 67-02	DAMPER		1
9	521 51 72-01	BOLT		1
10	577 35 79-01	WASHER		1
11	526 24 39-01	CLIP		4

P 580BTS Mark II, 580BFS Mark II
HARNESS



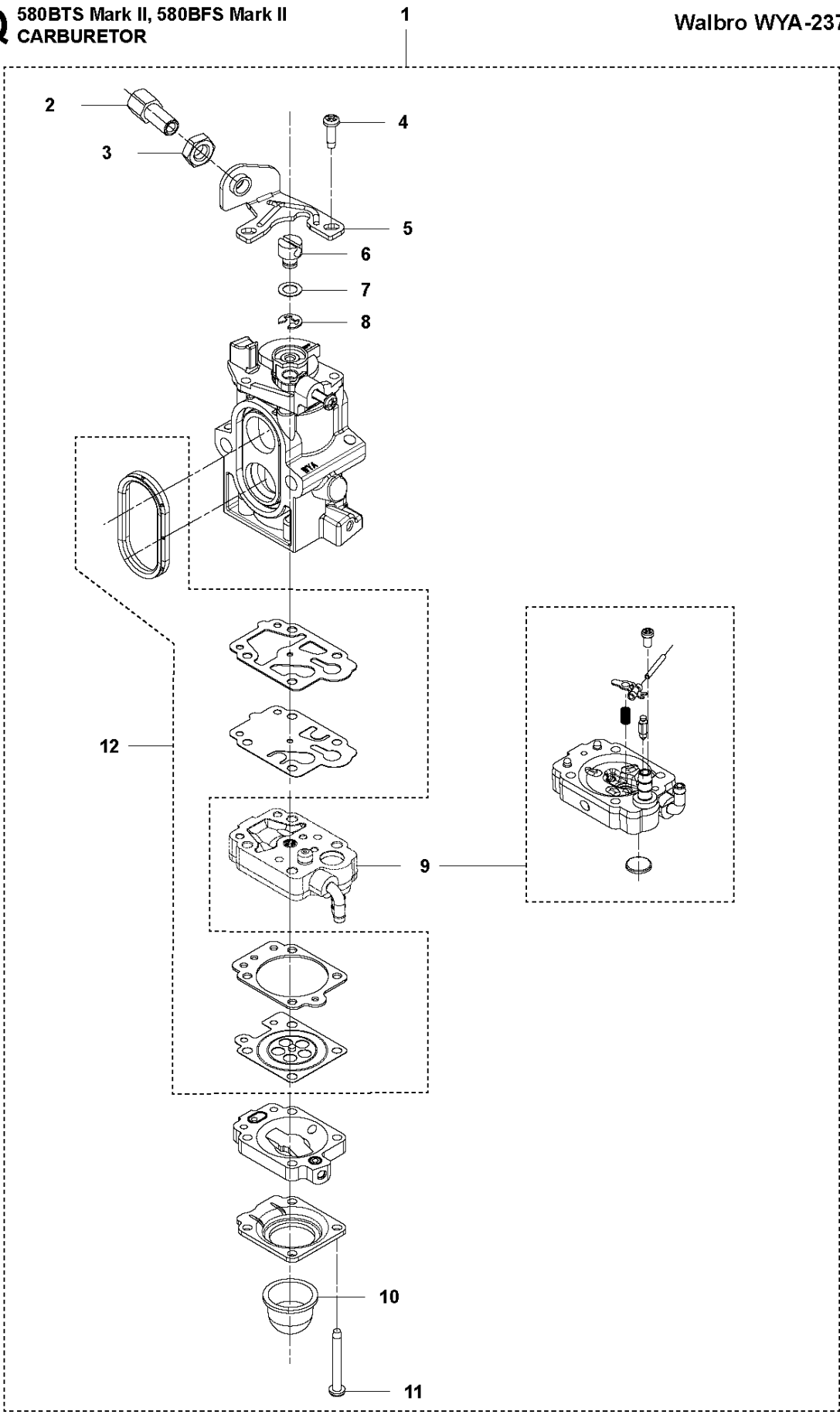
HARNESS

580BFS Mark II, 580BTS Mark II

Ref	Part No	Description	Remark	QTY KIT
1	576 62 53-01	PAD		1
2	544 27 02-02	CLIP		3
3	544 27 08-01	SCREW		2
4	544 27 00-01	CLIP		2

Q 580BTS Mark II, 580BFS Mark II
CARBURETOR

Walbro WYA-237A

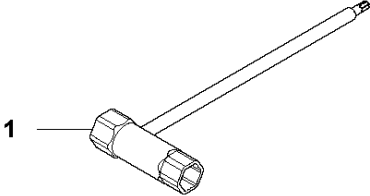


CARBURETOR

580BFS Mark II, 580BTS Mark II

Ref	Part No	Description	Remark	QTY KIT	
1	581 17 70-01	CARBURETTOR		1	
2	521 75 60-01	SCREW		1	1
3	506 61 26-01	NUT		1	1
4	505 30 79-01	SCREW		2	1
5	506 74 60-01	BRACKET		1	1
6	506 74 12-01	SWIVEL		1	1
7	506 74 61-01	WASHER		1	1
8	506 73 86-01	RETAINER RING		1	1
9	544 36 35-01	BODY CARBURETTOR		1	1
10	505 30 67-01	PUMP		1	1
11	506 74 11-01	SCREW		4	1
12	511 45 95-01	GASKET KIT		1	1

R 580BTS Mark II, 580BFS Mark II
ACCESSORIES



ACCESSORIES

580BFS Mark II, 580BTS Mark II

Ref	Part No	Description	Remark	QTY KIT
1	521 53 30-01	SOCKET		1