

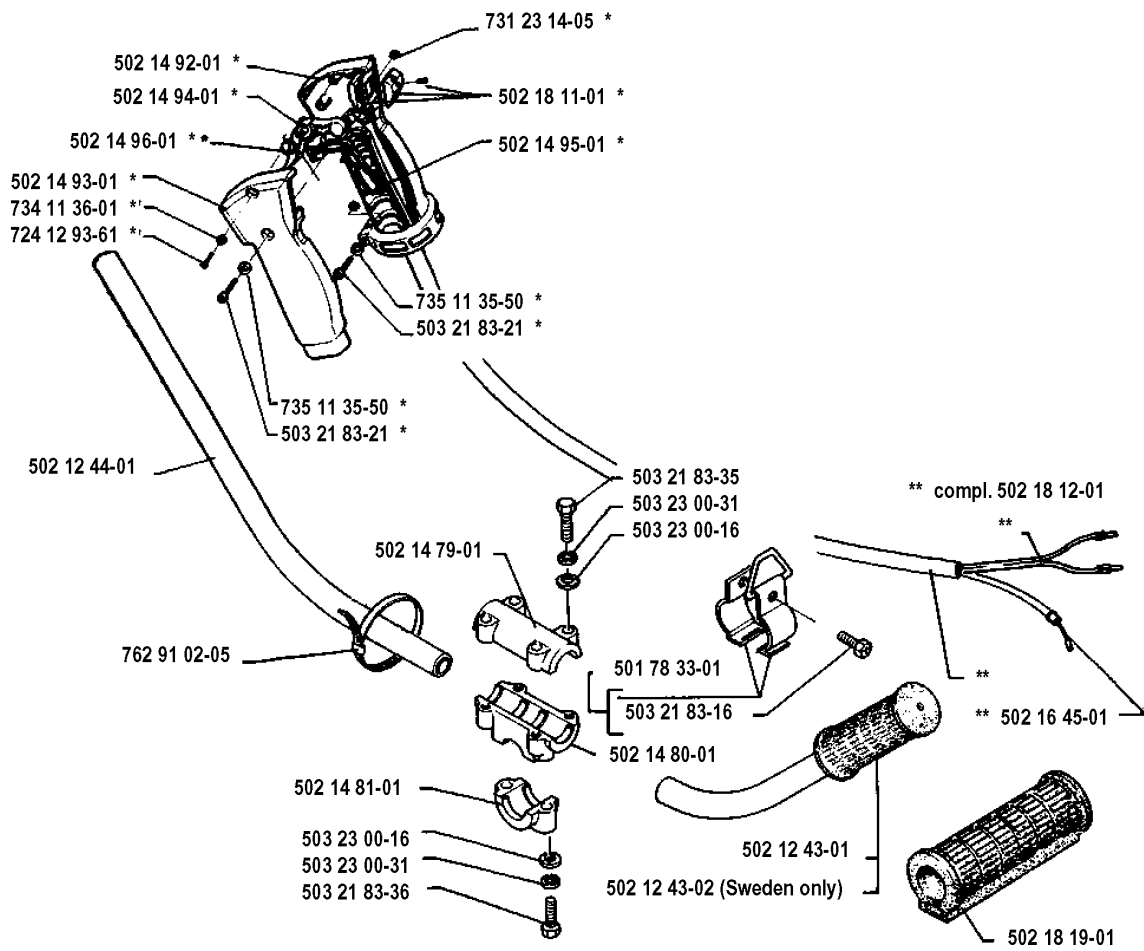


# SPARE PARTS LIST

BRUSHCUTTERS/CLEARING SAWS

120 R 1993-02

**A** (120 R)

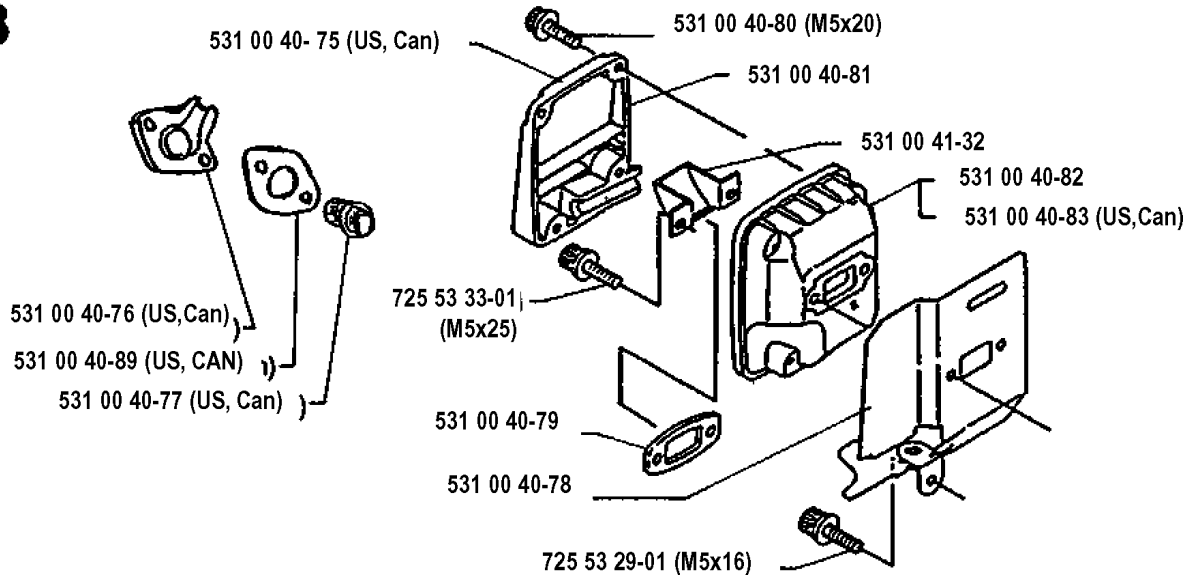


## HANDLE &amp; CONTROLS

120 R 1993-02

Part No	Description	Remark	QTY KIT
501 78 33-01	SUSPENSION BAIL		1
502 12 43-01	HANDLEBAR LEFT		1
502 12 43-02	HANDLE LEFT	SWEDEN ONLY	1
502 12 44-01	HANDLEBAR RIGHT		1
502 14 79-01	HANDLEBAR BRACKET UP		1
502 14 80-01	HANDLEBAR BRACKET LO		1
502 14 81-01	HANDLEBAR BRACKET		1
502 14 92-01	HANDLE HALF		1
502 14 93-01	HANDLE HALF		1
502 14 94-01	THROTTLE CONTROL		1
502 14 95-01	THROTTLE LOCKOUT		1
502 14 96-01	RECOIL SPRING		1
502 16 45-01	THROTTLE CABLE ASSY		1
502 18 11-01	SWITCH CPL		1
502 18 12-01	WIRE ASSY		1
502 18 19-01	HANDLE		1
503 21 83-16	SCREW		1
503 21 83-21	SCREW		1
503 21 83-21	SCREW		1
503 21 83-35	SCREW		1
503 21 83-36	SCREW		1
503 23 00-16	WASHER		1
503 23 00-16	WASHER		1
503 23 00-31	WASHER		1
503 23 00-31	WASHER		1
724 12 93-61	SCREW CRPANM		1
731 23 14-05	HEXAGON NUT		1
734 11 36-01	WASHER		1
735 11 35-50	WASHER		1
735 11 35-50	WASHER		1
762 91 02-05	TIE WRAP		1

**B**

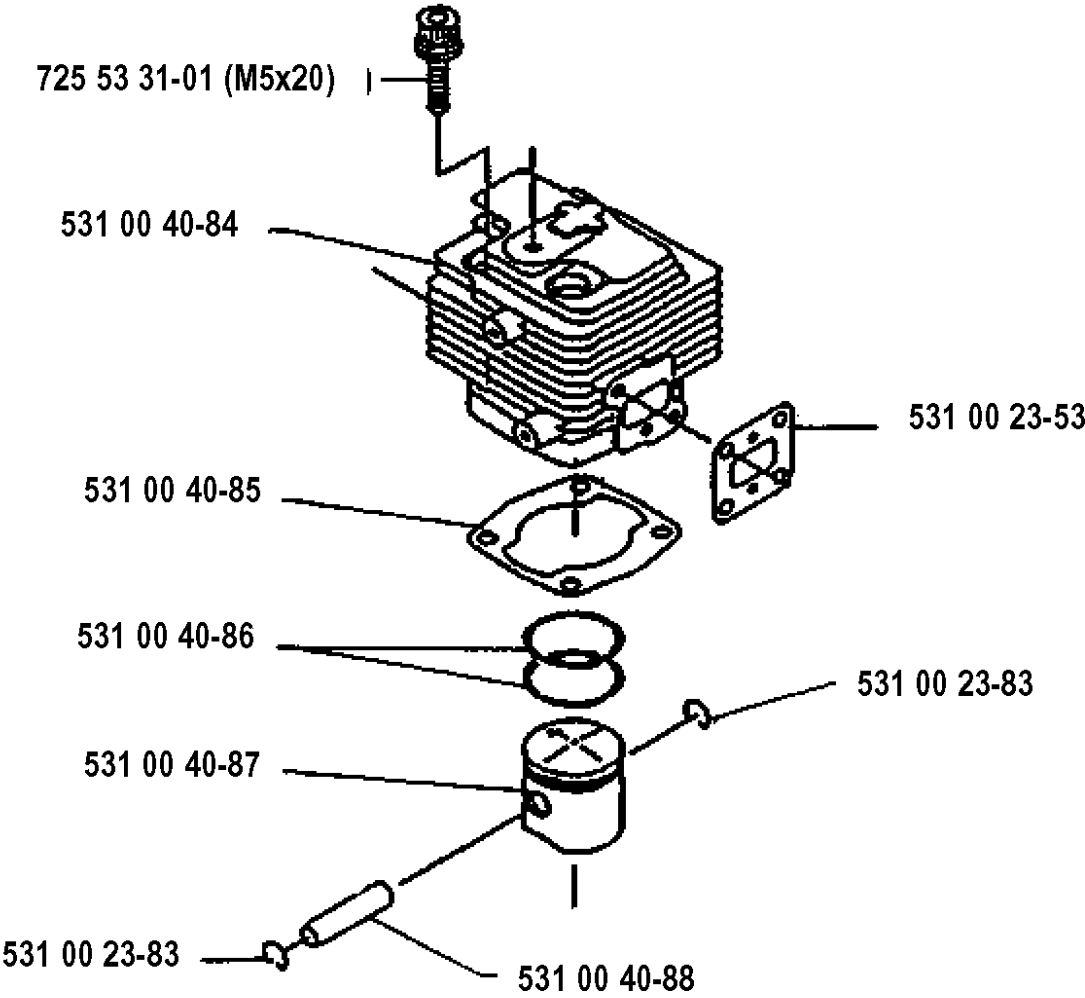


## MUFFLER

120 R 1993-02

Part No	Description	Remark	QTY KIT
531 00 40-75	MUFFLER COVER	US, CAN	1
531 00 40-76	DEFLECTOR	US, CAN	1
531 00 40-77	SPARK ARRESTOR	US, CAN	1
531 00 40-78	PROTECTOR		1
531 00 40-79	GASKET		1
531 00 40-80	SCREW	M5X20	1
531 00 40-81	MUFFLER COVER		1
531 00 40-82	MUFFLER BODY		1
531 00 40-83	MUFFLER BODY	US, CAN	1
531 00 40-89	GASKET	US, CAN	1
531 00 41-32	DEFLECTOR		1
725 53 29-01	SCREW IHSCM	M5X16	1
725 53 33-01	SCREW IHSCM	M5X25	1

**C**

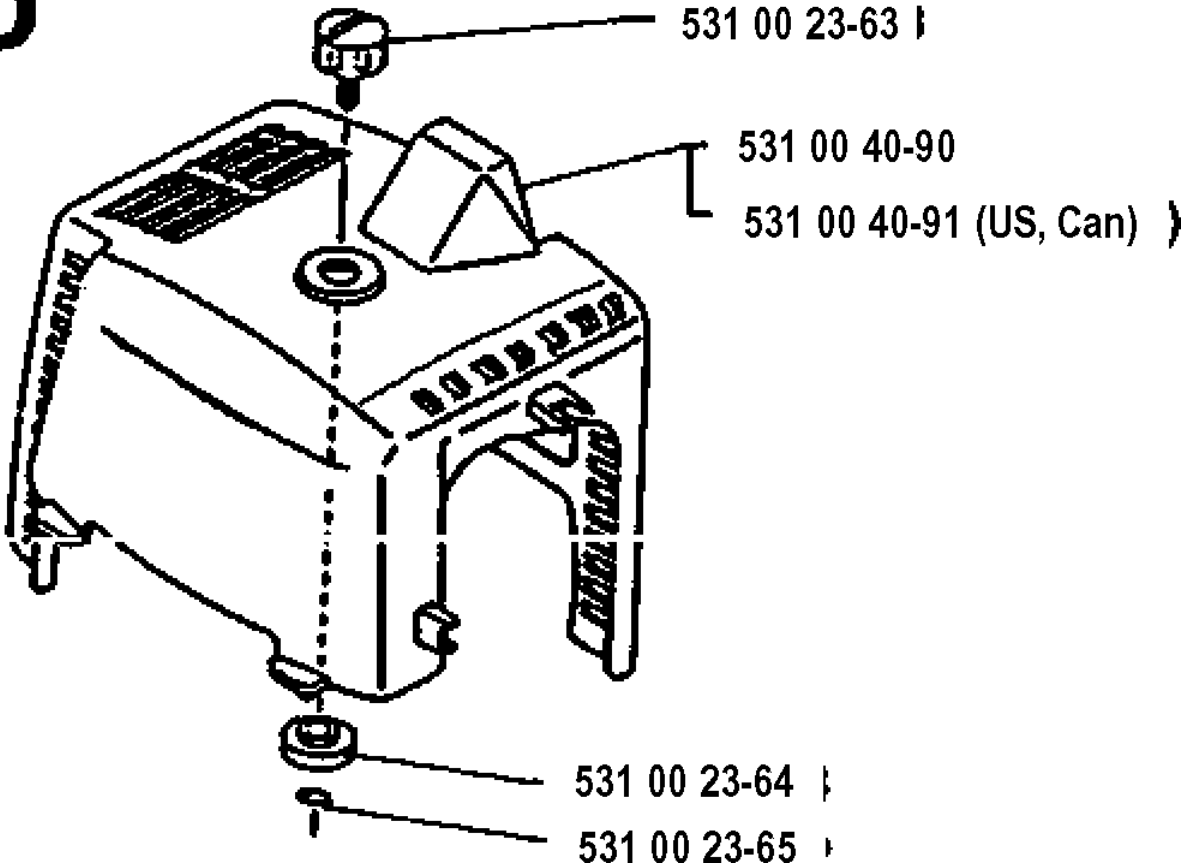


## CYLINDER PISTON

120 R 1993-02

Part No	Description	Remark	QTY KIT
531 00 23-53	GASKET		1
531 00 23-83	CLIP		1
531 00 23-83	CLIP		1
531 00 40-84	CYLINDER		1
531 00 40-85	GASKET		1
531 00 40-86	PISTON RING		1
531 00 40-87	PISTON		1
531 00 40-88	PISTON BOLT		1
725 53 31-01	SCREW IHSCM	M5X20	1

**D**



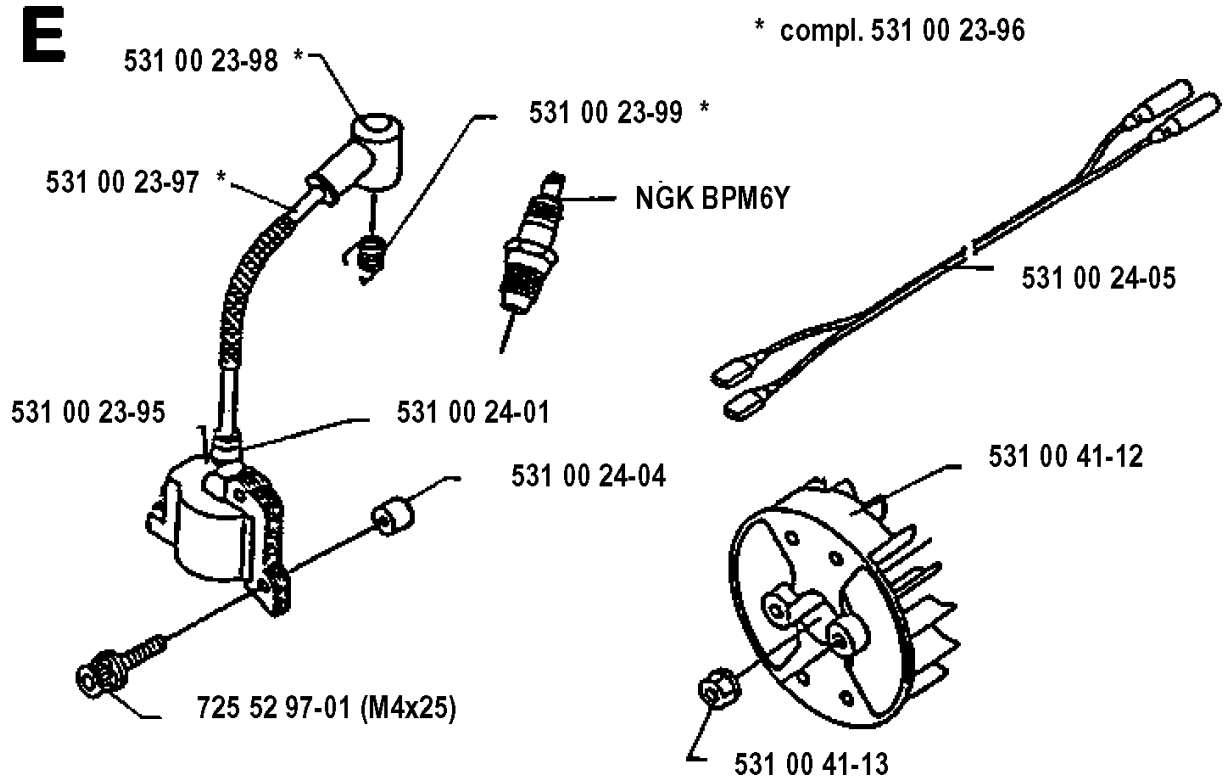


CYLINDER COVER

120 R 1993-02

Part No	Description	Remark	QTY KIT
531 00 23-63	SCREW		1
531 00 23-64	SPACER		1
531 00 23-65	RETAINING RING		1
531 00 40-90	CYLINDER COVER		1
531 00 40-91	CYLINDER COVER	US, CAN	1

**E**

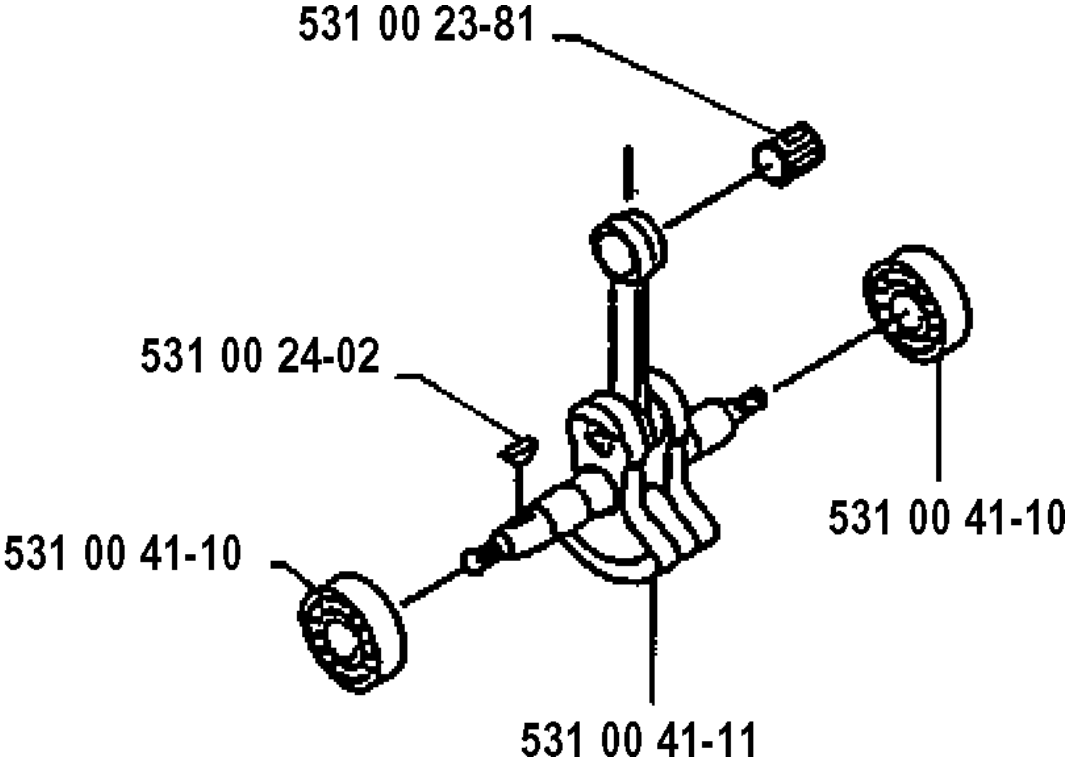


## IGNITION SYSTEM

120 R 1993-02

Part No	Description	Remark	QTY KIT
531 00 23-95	IGNITION COIL		1
531 00 23-96	CABLE ASSY		1
531 00 23-97	CABLE		1
531 00 23-98	SPARK PLUG CONNECTION		1
531 00 23-99	SPRING		1
531 00 24-01	SLEEVE		1
531 00 24-04	SPACER		1
531 00 24-05	CABLE		1
531 00 41-12	FLYWHEEL		1
531 00 41-13	NUT		1
725 52 97-01	SCREW IHSCM	M4X25	1

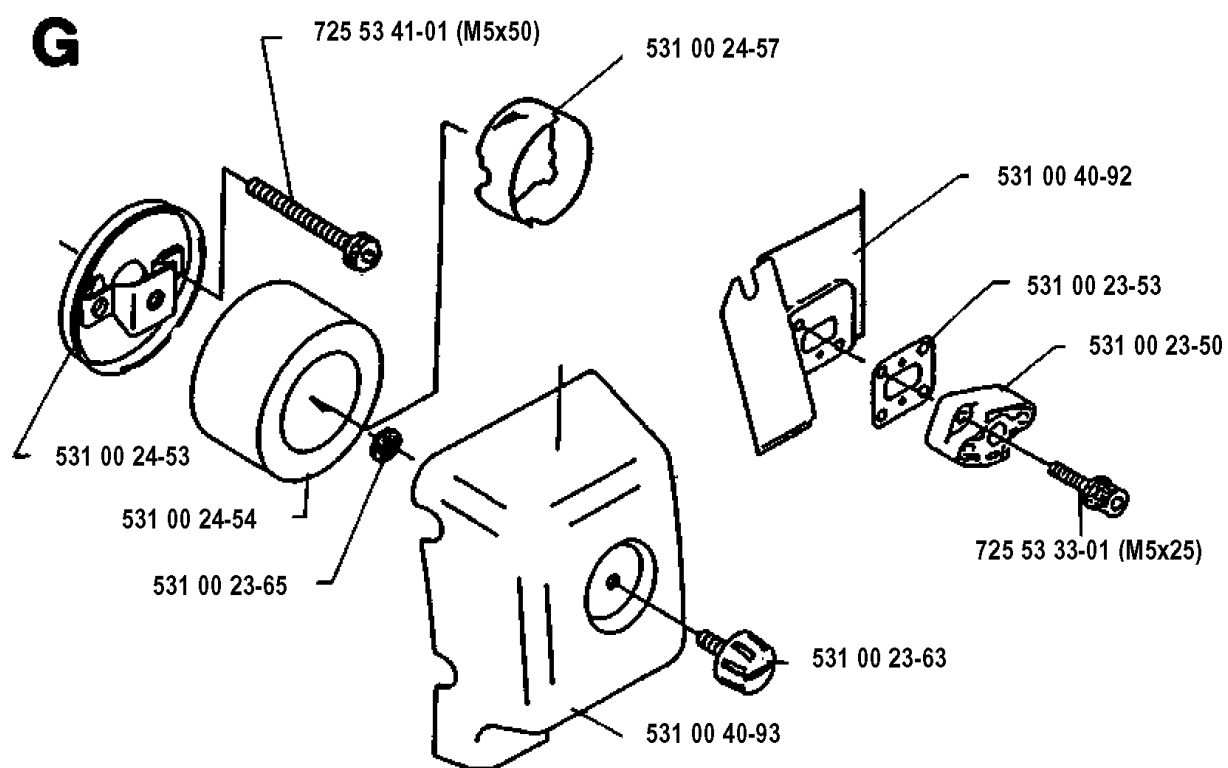
**F**



CRANKSHAFT

120 R 1993-02

Part No	Description	Remark	QTY KIT
531 00 23-81	SUPPORT BUSHING		1
531 00 24-02	KEY		1
531 00 41-10	BALL BEARING		1
531 00 41-10	BALL BEARING		1
531 00 41-11	CRANKSHAFT		1



## AIR FILTER

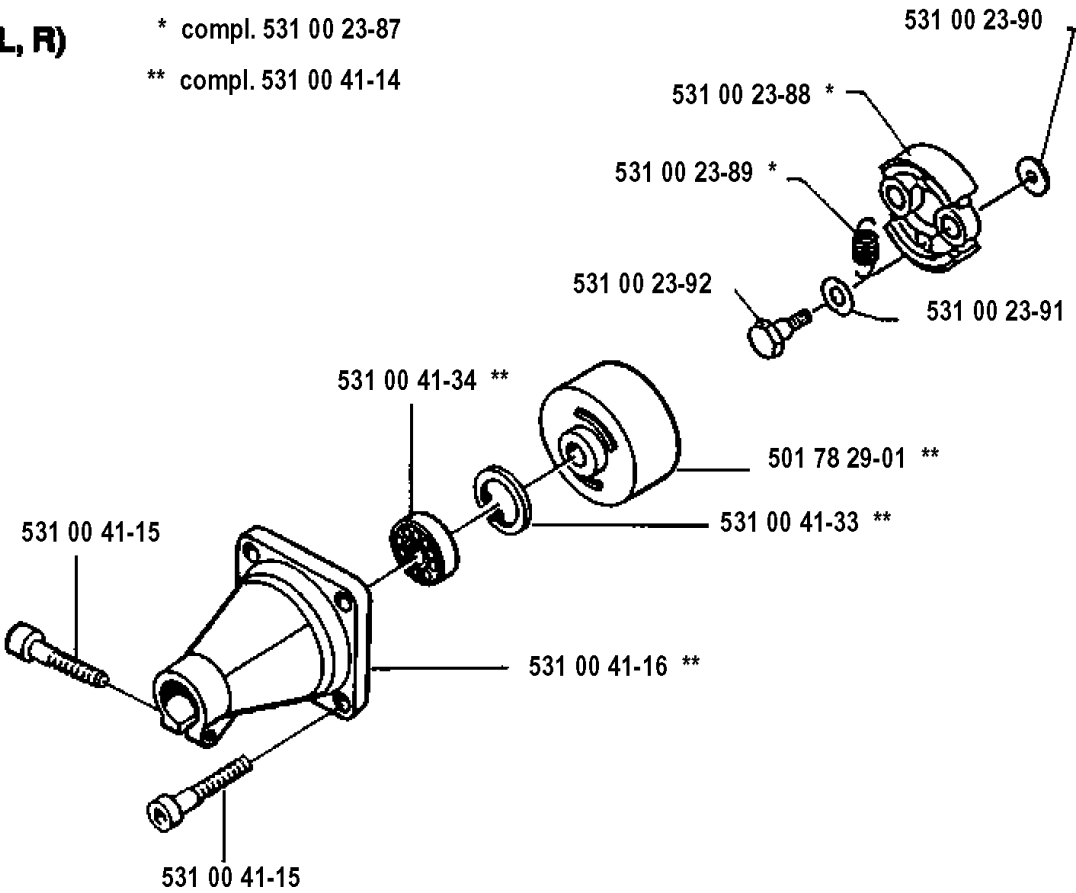
120 R 1993-02

Part No	Description	Remark	QTY KIT
531 00 23-50	INSULSTER		1
531 00 23-53	GASKET		1
531 00 23-63	SCREW		1
531 00 23-65	RETAINING RING		1
531 00 24-53	HOLDER		1
531 00 24-54	AIR FILTER		1
531 00 24-57	SCREEN		1
531 00 40-92	PROTECTOR		1
531 00 40-93	AIR FILTER COVER		1
725 53 33-01	SCREW IHSCM	M5X25	1
725 53 41-01	SCREW IHSCM	M5X50	1

**H** (120 L, R)

\* compl. 531 00 23-87

\*\* compl. 531 00 41-14



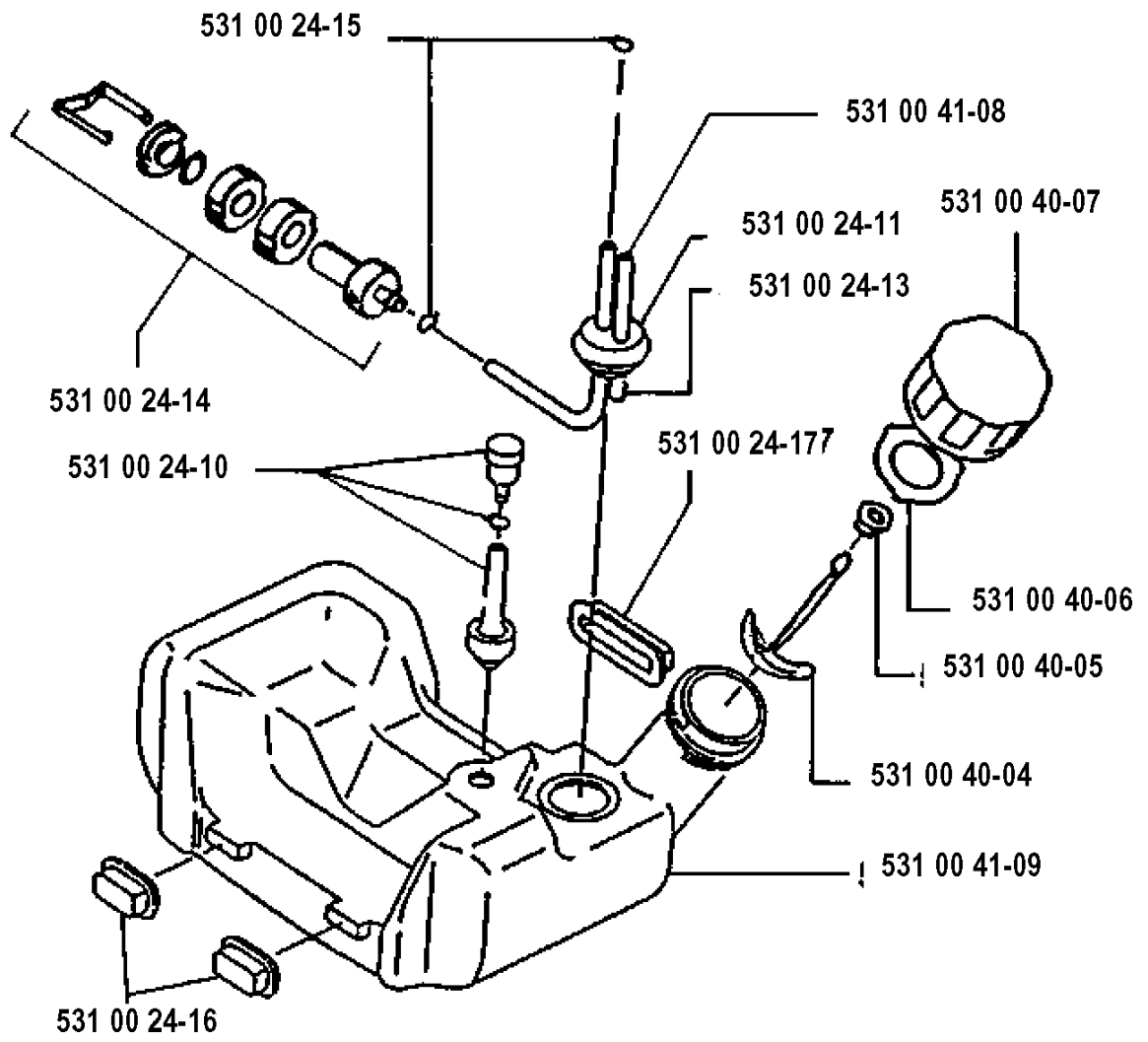


## CLUTCH

120 R 1993-02

Part No	Description	Remark	QTY KIT
501 78 29-01	CLUTCH DRUM		1
531 00 23-87	CLUTCH ASSY		1
531 00 23-88	CLUTCH		1
531 00 23-89	SPRING		1
531 00 23-90	WASHER		1
531 00 23-91	WASHER		1
531 00 23-92	SCREW		1
531 00 41-14	CLUTCH CASE ASSY		1
531 00 41-15	SCREW		1
531 00 41-15	SCREW		1
531 00 41-16	CLUTCH CASE		1
531 00 41-33	SNAP RING		1
531 00 41-34	BEARING		1

**J**

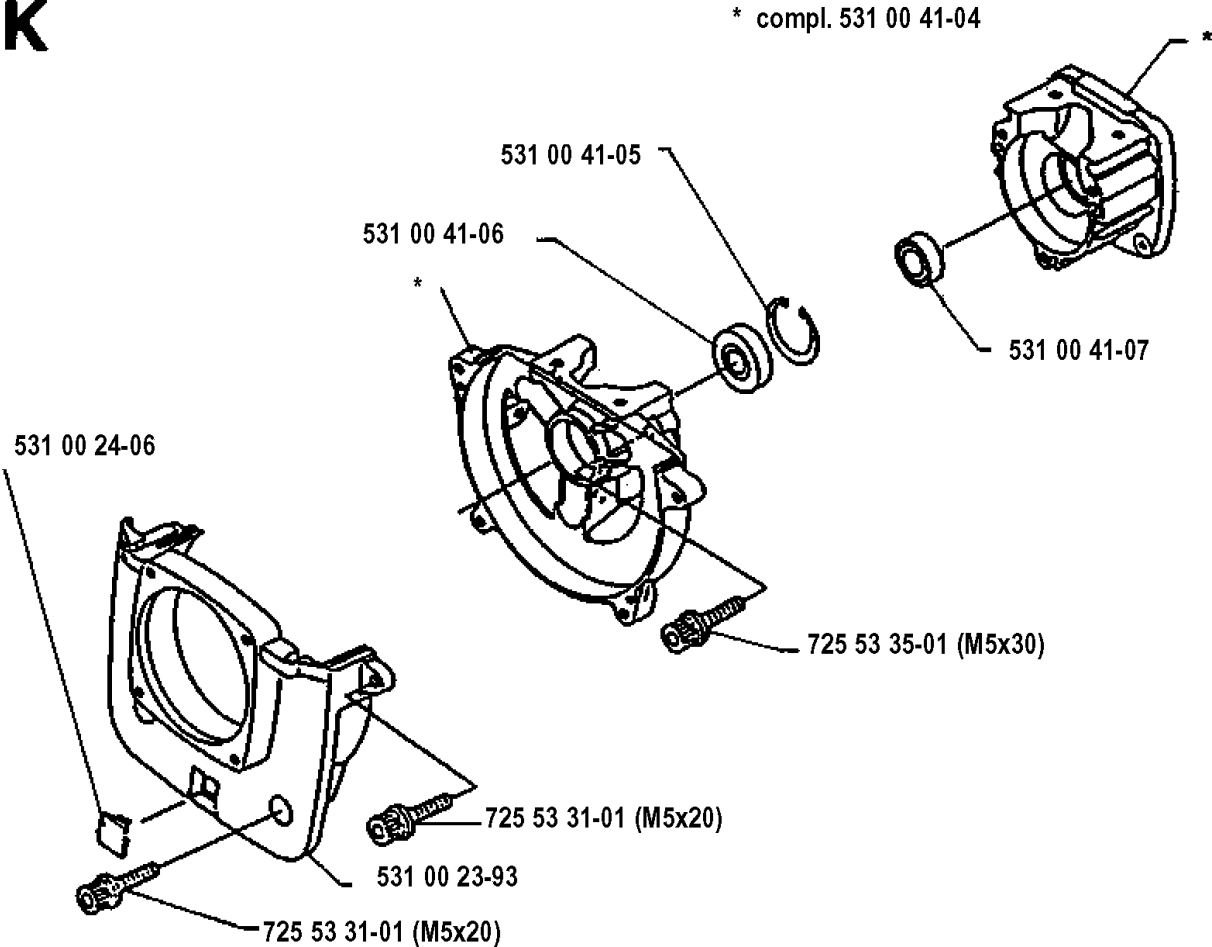


## FUEL TANK

120 R 1993-02

Part No	Description	Remark	QTY KIT
531 00 24-10	VALVE		1
531 00 24-11	SLEEVE		1
531 00 24-13	PIPE		1
531 00 24-14	FILTER		1
531 00 24-15	CLIP		1
531 00 24-16	SLEEVE		1
531 00 24-17	PAD		1
531 00 40-04	HOLDER		1
531 00 40-05	BRACKET		1
531 00 40-06	GASKET		1
531 00 40-07	TANK CAP		1
531 00 41-08	FUEL PIPE		1
531 00 41-09	TANK		1

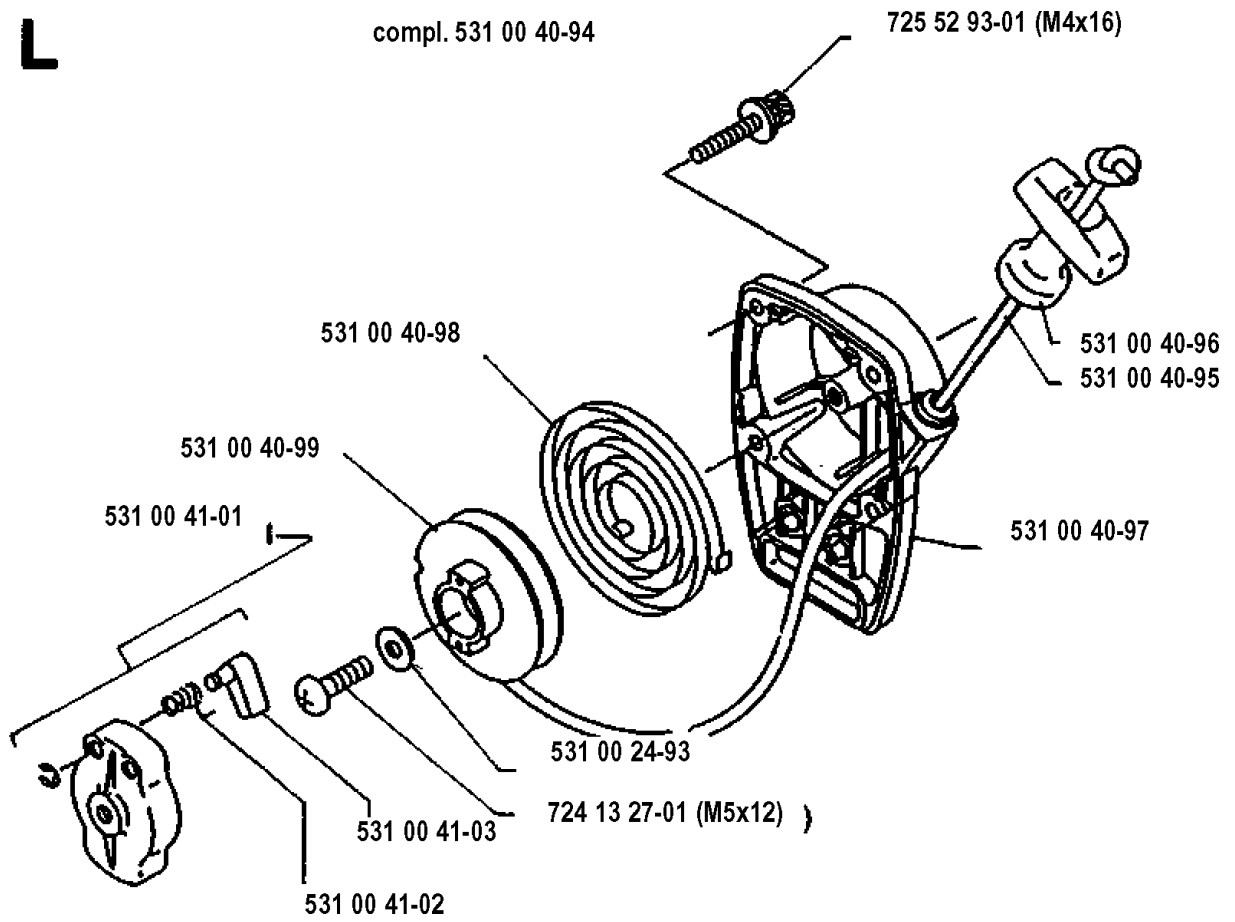
**K**



## CRANKCASE

120 R 1993-02

Part No	Description	Remark	QTY KIT
531 00 23-93	COVER		1
531 00 24-06	PLUG		1
531 00 41-04	CRANKHOUSE		1
531 00 41-05	RETAINER RING		1
531 00 41-06	SEALING RING		1
531 00 41-07	SEALING RING		1
725 53 31-01	SCREW IHSCM	M5X20	1
725 53 31-01	SCREW IHSCM	M5X20	1
725 53 35-01	SCREW IHSCM	M5X30	1

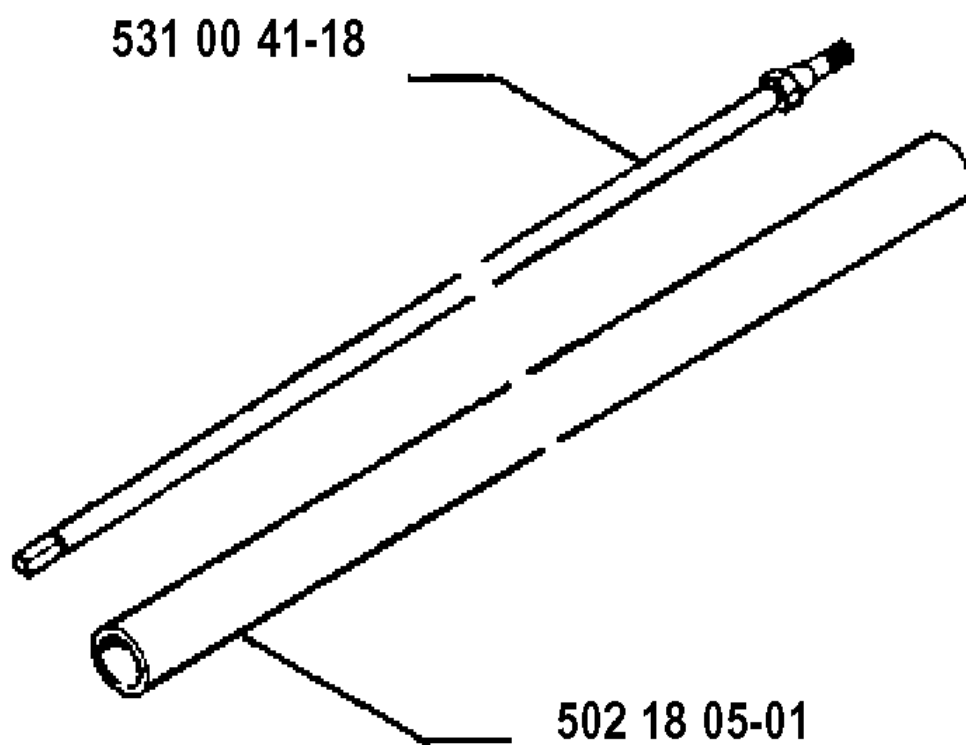


## STARTER

120 R 1993-02

Part No	Description	Remark	QTY KIT
531 00 24-93	WASHER		1
531 00 40-94	RECOIL STARTER		1
531 00 40-95	STARTER ROPE		1
531 00 40-96	HANDLE		1
531 00 40-97	STARTER HOUSING		1
531 00 40-98	RECOIL SPRING		1
531 00 40-99	STARTER PULLEY		1
531 00 41-01	STARTER PULLEY		1
531 00 41-02	SPRING		1
531 00 41-03	RATCHET		1
724 13 27-01	SCREW CRPANM	M5X12	1
725 52 93-01	SCREW IHSCM	M4X16	1

# **M** (120 L, 120 R)



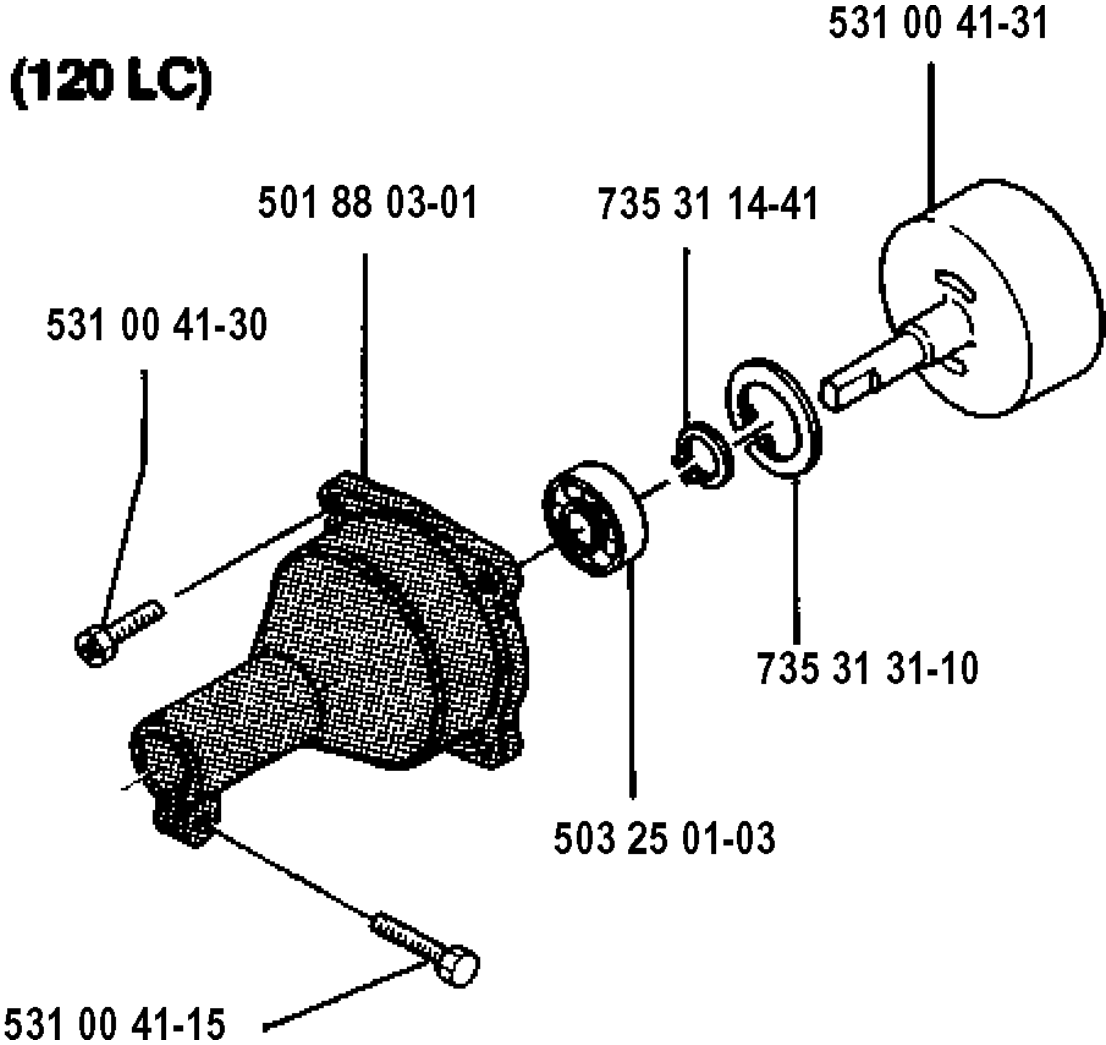


SHAFT

120 R 1993-02

Part No	Description	Remark	QTY KIT
502 18 05-01	DRIVE TUBE		1
531 00 41-18	SHAFT		1

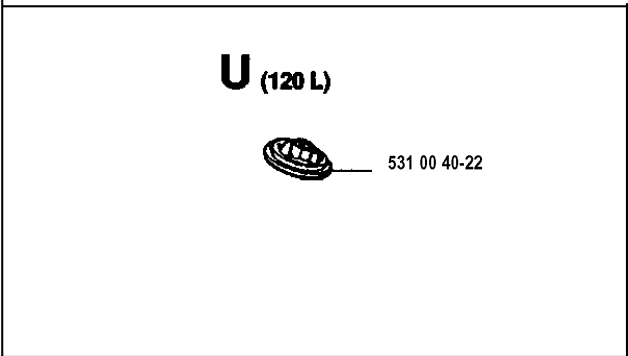
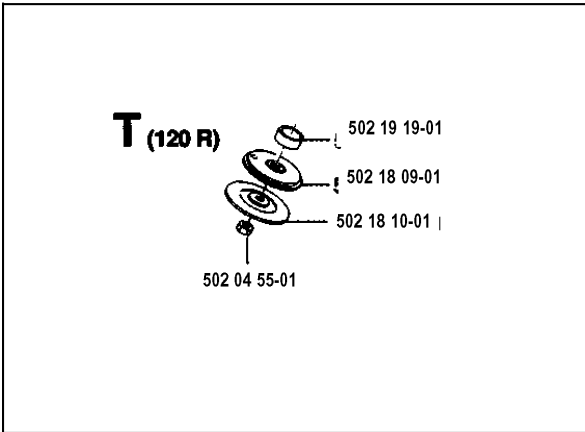
# Q (120 LC)



## CLUTCH COVER

120 R 1993-02

Part No	Description	Remark	QTY KIT
501 88 03-01	CLUTCH COVER ASSY		1
503 25 01-03	BALL BEARING		1
531 00 41-15	SCREW		1
531 00 41-30	SCREW		1
531 00 41-31	CLUTCH DRUM		1
735 31 14-41	RETAINING RING		1
735 31 31-10	CIRCLIP		1

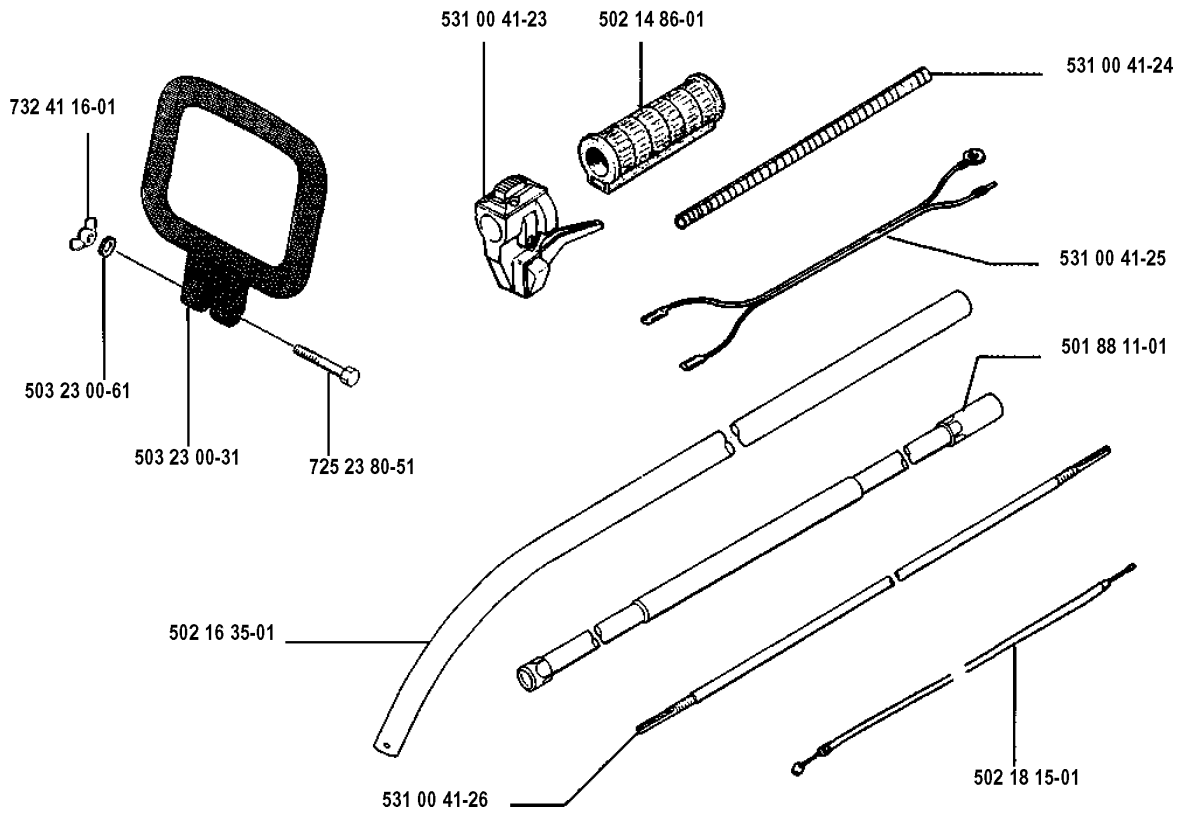


BEVEL GEAR

120 R 1993-02

Part No	Description	Remark	QTY KIT
502 04 55-01	NUT		1
502 18 09-01	DRIVER		1
502 18 10-01	FLANGE		1
502 19 19-01	SPACER		1

**N** (120 LC)

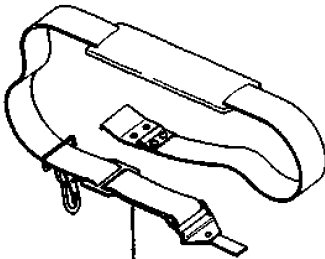


## SHAFT &amp; HANDLE

120 R 1993-02

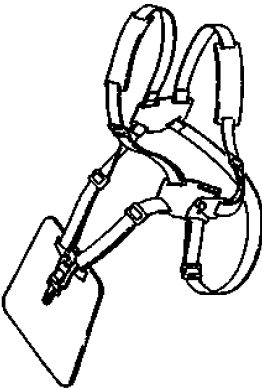
Part No	Description	Remark	QTY KIT
501 88 11-01	DRIVE SHAFT		1
502 14 86-01	HANDLE		1
502 16 35-01	DRIVE TUBE		1
502 18 15-01	THROTTLE WIRE		1
503 23 00-31	WASHER		1
503 23 00-61	WASHER		1
531 00 41-23	THROTTLE TRIGGER		1
531 00 41-24	TUBE		1
531 00 41-25	LEAD WIRE		1
531 00 41-26	SHAFT		1
725 23 80-51	SCREW EHHM		1
732 41 16-01	WING NUT		1

**R**

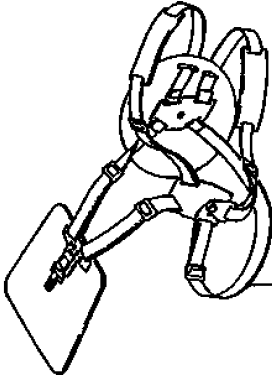


501 78 40-01

531 00 24-68 USA



531 00 23-44



531 00 23-45 USA



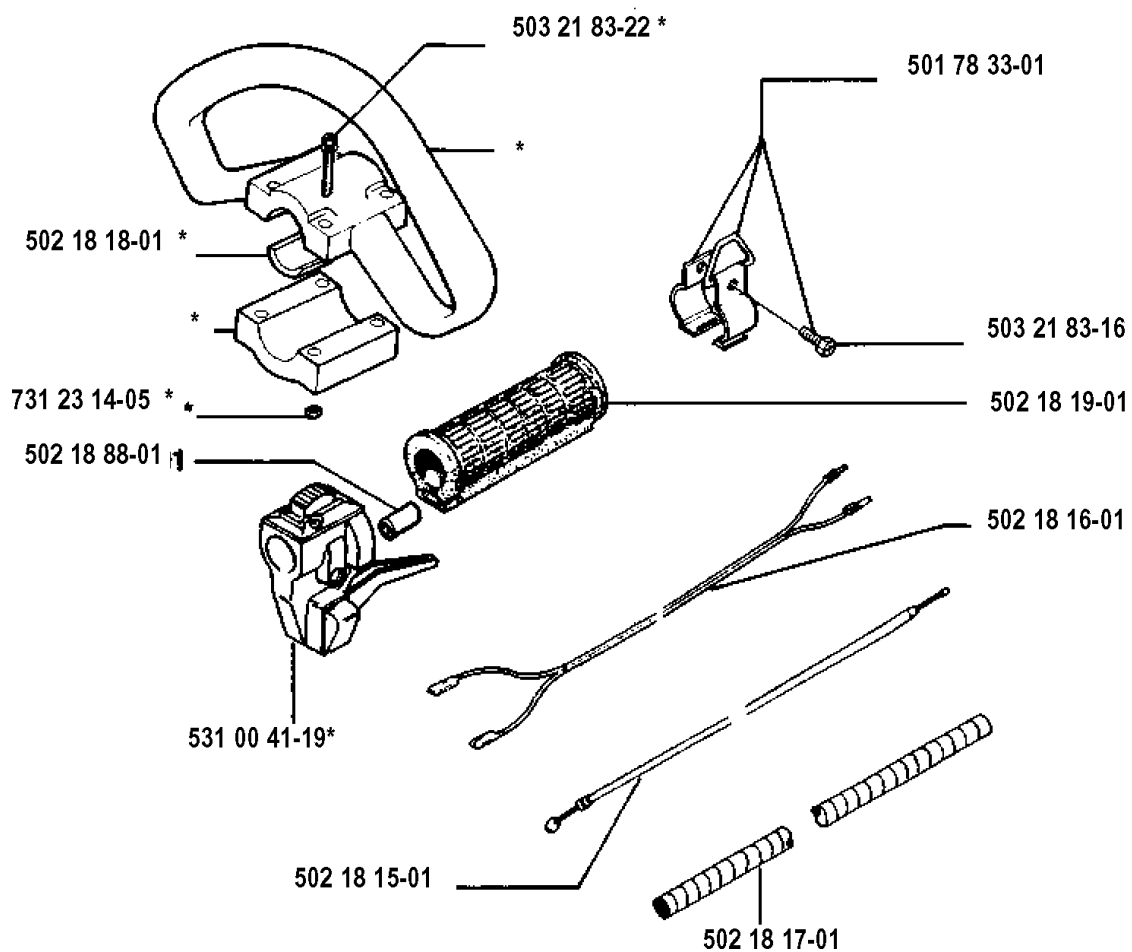
HARNESS

120 R 1993-02

Part No	Description	Remark	QTY KIT
501 78 40-01	HARNESS		1
531 00 23-44	HARNESS		1
531 00 23-45	HARNESS	USA	1
531 00 24-68	HARNESS	USA	1

**O (120 L)**

\* compl. 502 18 14-01



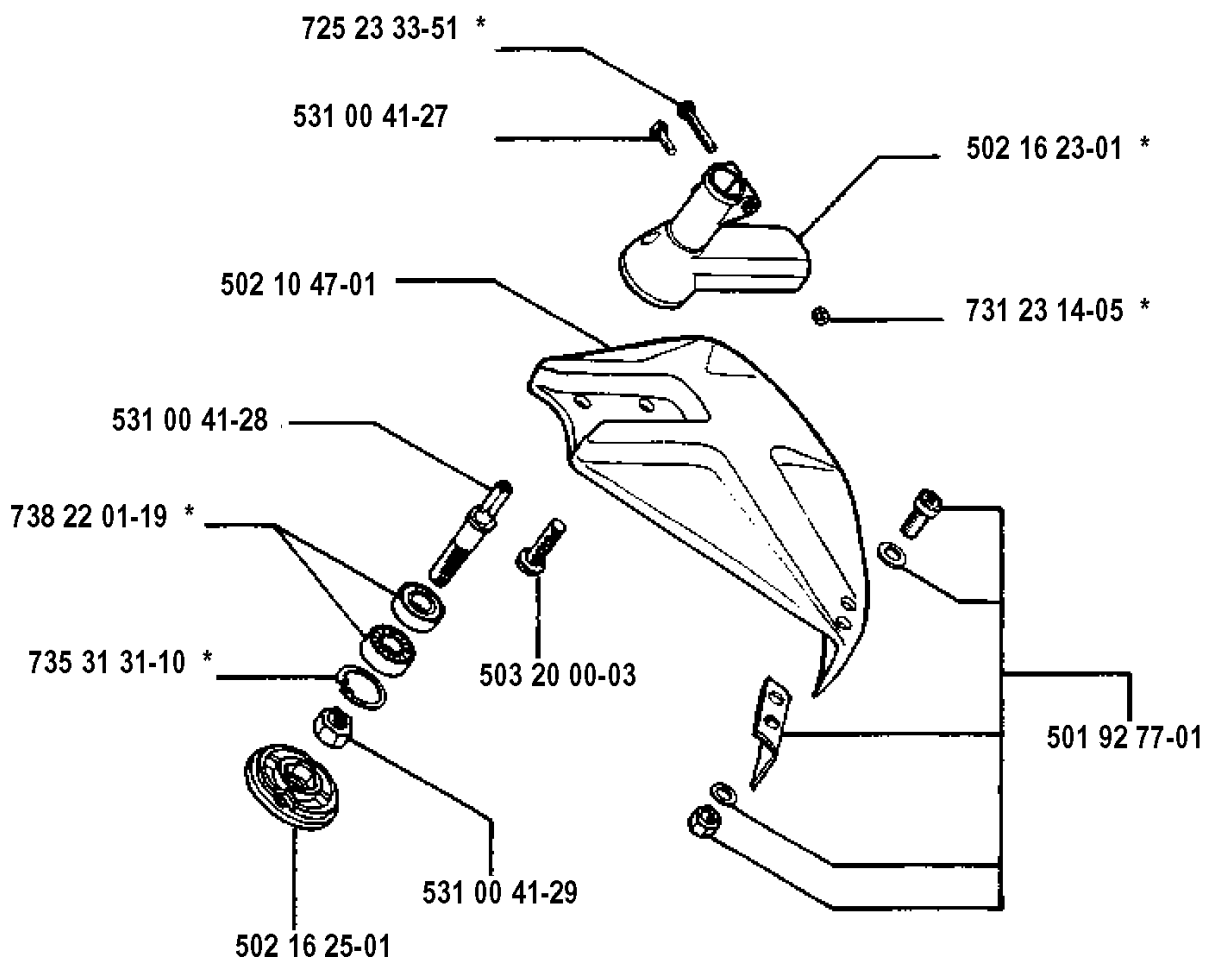
## HANDLE &amp; CONTROLS

120 R 1993-02

Part No	Description	Remark	QTY KIT
501 78 33-01	SUSPENSION BAIL		1
502 18 14-01	HANDLE		1
502 18 15-01	THROTTLE WIRE		1
502 18 16-01	LEAD		1
502 18 17-01	PROTECTOR		1
502 18 18-01	DAMPER		1
502 18 19-01	HANDLE		1
502 18 88-01	CONNECTION		1
503 21 83-16	SCREW		1
503 21 83-22	SCREW		1
531 00 41-19	THROTTLE TRIGGER		1
731 23 14-05	HEXAGON NUT		1

# V (120 LC)

\* compl 531 00 41-20



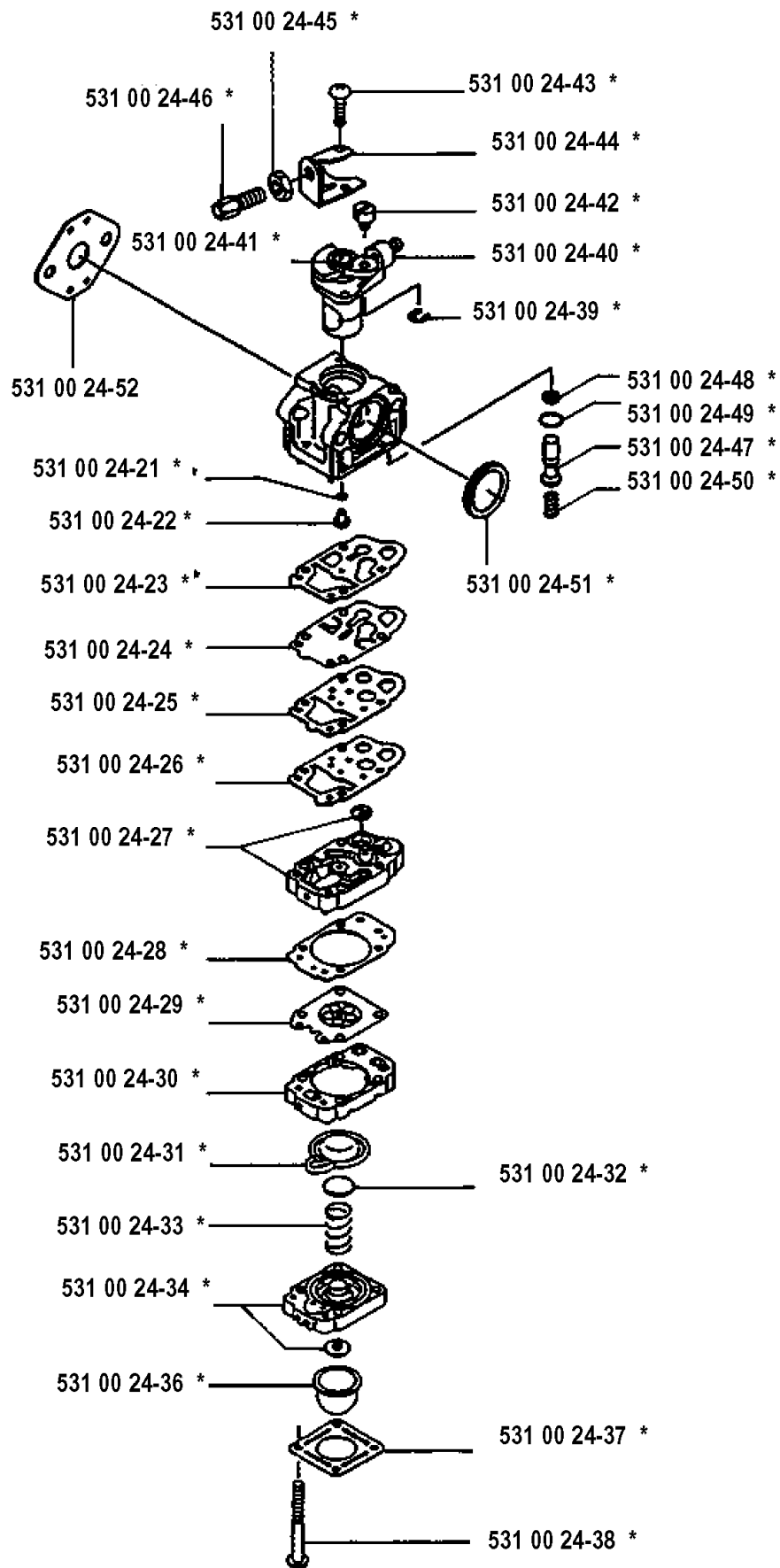
## BEVEL GEAR

120 R 1993-02

Part No	Description	Remark	QTY KIT
501 92 77-01	BLADE KIT		1
502 10 47-01	TRIMMER GUARD ASSY		1
502 16 23-01	GEAR HOUSING		1
502 16 25-01	BOSS		1
503 20 00-03	SCREW		1
531 00 41-20	BEARING CASE ASSY		1
531 00 41-27	SCREW		1
531 00 41-28	BLADE SHAFT		1
531 00 41-29	NUT		1
725 23 33-51	SCREW EHHM		1
731 23 14-05	HEXAGON NUT		1
735 31 31-10	CIRCLIP		1
738 22 01-19	BALL BEARING		1

**P**

\* compl. 531 00 41-22



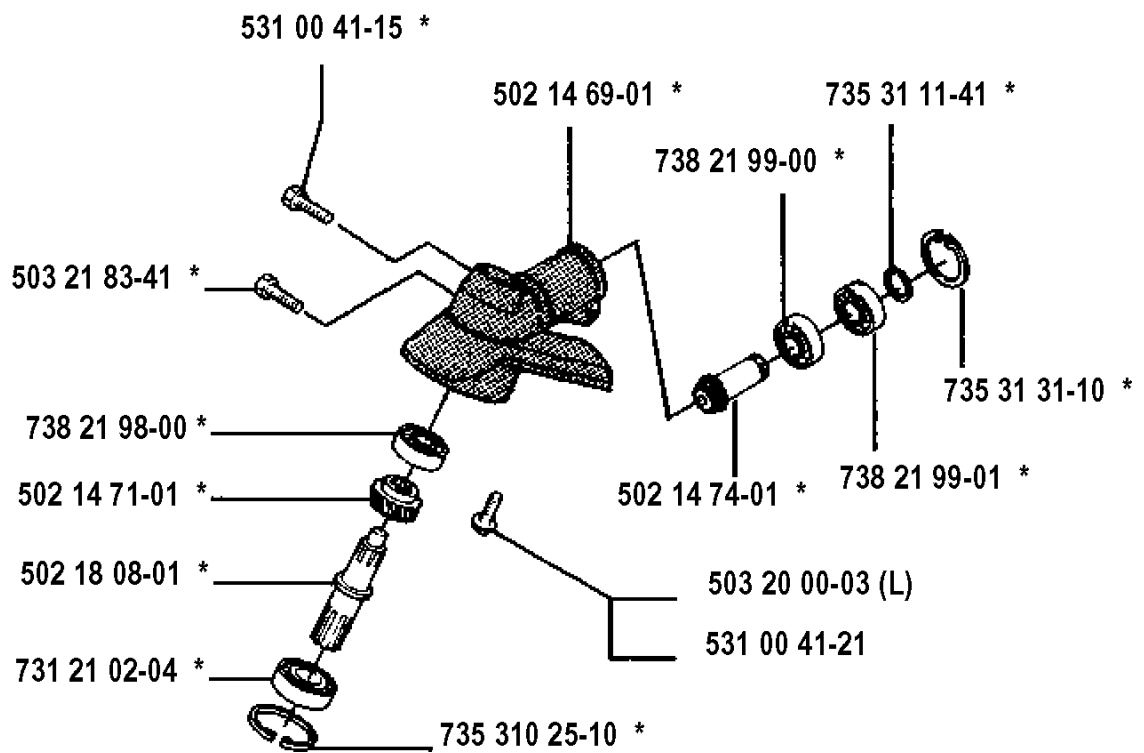
## CARBURETOR DETAILS

120 R 1993-02

Part No	Description	Remark	QTY KIT
531 00 24-21	O-RING		1
531 00 24-22	JET		1
531 00 24-23	GASKET		1
531 00 24-24	DIAPHRAGM		1
531 00 24-25	PLATE		1
531 00 24-26	GASKET		1
531 00 24-27	HOUSING		1
531 00 24-28	GASKET		1
531 00 24-29	DIAPHRAGM		1
531 00 24-30	HOUSING		1
531 00 24-31	DIAPHRAGM		1
531 00 24-32	HOLDER		1
531 00 24-33	SPRING		1
531 00 24-34	HOUSING		1
531 00 24-36	BULB		1
531 00 24-37	COVER		1
531 00 24-38	SCREW		1
531 00 24-39	CIRCLIP		1
531 00 24-40	THROTTLE VALVE		1
531 00 24-41	PLUG		1
531 00 24-42	CONNECTION		1
531 00 24-43	SCREW		1
531 00 24-44	BRACKET		1
531 00 24-45	NUT		1
531 00 24-46	SCREW		1
531 00 24-47	VALVE		1
531 00 24-48	GASKET		1
531 00 24-49	O-RING		1
531 00 24-50	SPRING		1
531 00 24-51	GASKET		1
531 00 24-52	GASKET		1
531 00 41-22	CARBURETTOR		1

# S (120 L, 120 R)

\* compl. 531 00 40-26





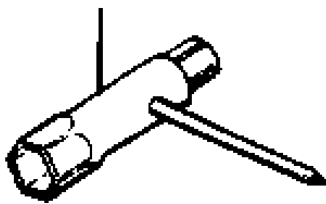
## BEVEL GEAR

120 R 1993-02

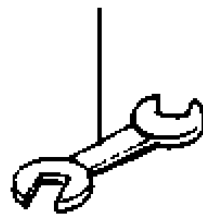
Part No	Description	Remark	QTY KIT
502 14 69-01	GEAR HOUSING		1
502 14 71-01	GEAR WHEEL		1
502 14 74-01	AXLE		1
502 18 08-01	AXIS		1
503 20 00-03	SCREW	L	1
503 21 83-41	SCREW		1
531 00 40-26	BEVEL GEAR		1
531 00 41-15	SCREW		1
531 00 41-21	SCREW		1
731 21 02-04			1
735 31 11-41	RETAINER RING		1
735 31 31-10	CIRCLIP		1
7353 10 25-10			1
738 21 98-00	BALL BEARING		1
738 21 99-00	BALL BEARING		1
738 21 99-01	BALL BEARING		1

# Z

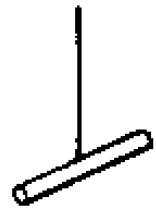
502 19 30-01



501 31 40-01



502 02 61-01



## ACCESSORIES

120 R 1993-02

Part No	Description	Remark	QTY KIT
501 31 40-01	SPANNER OPEN-ENDED		1
502 02 61-01	STOP		1
502 19 30-01	COMBI TOOL		1