

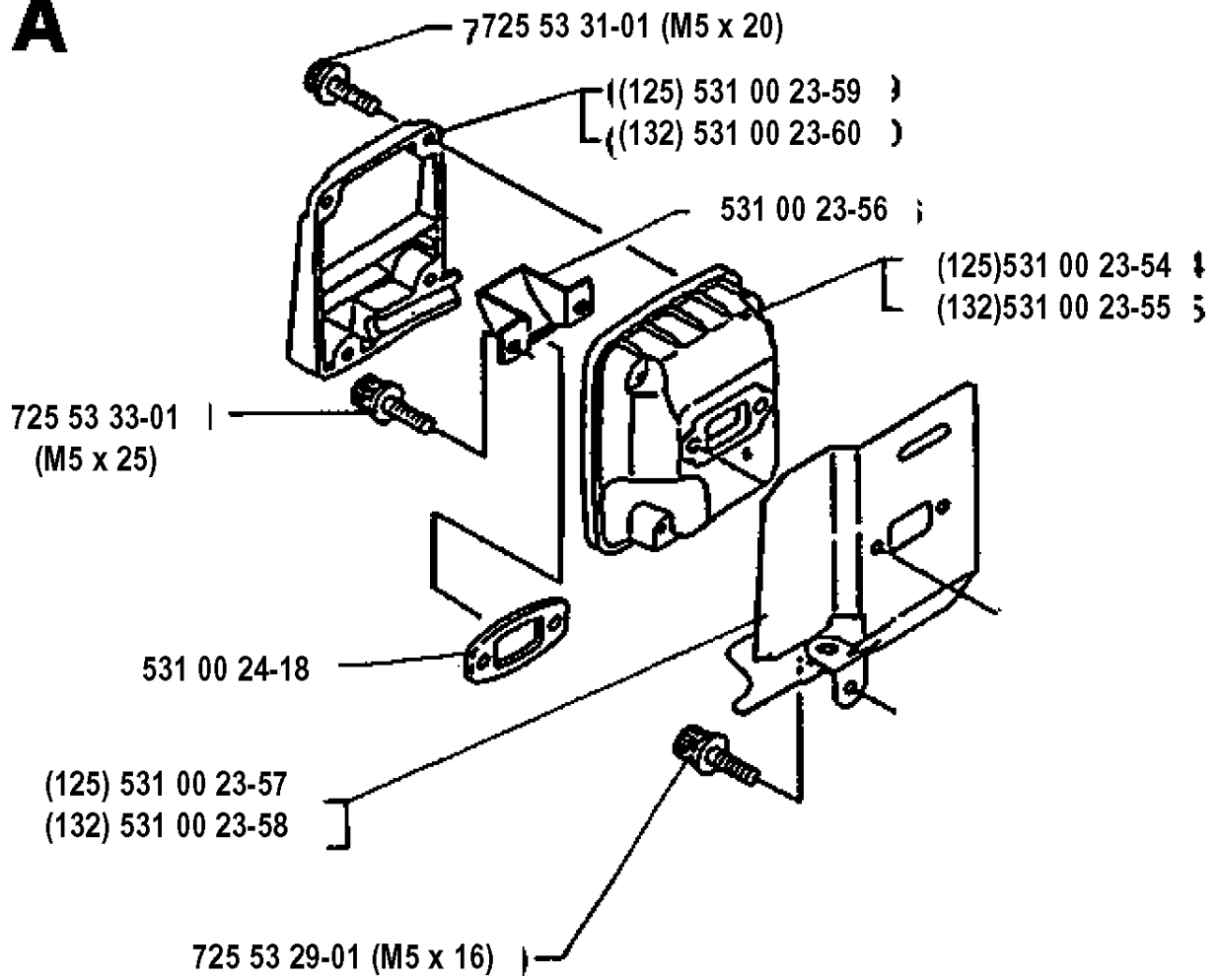


SPARE PARTS LIST

BRUSHCUTTERS/CLEARING SAWS

125 RB, 19931400001-Current

A

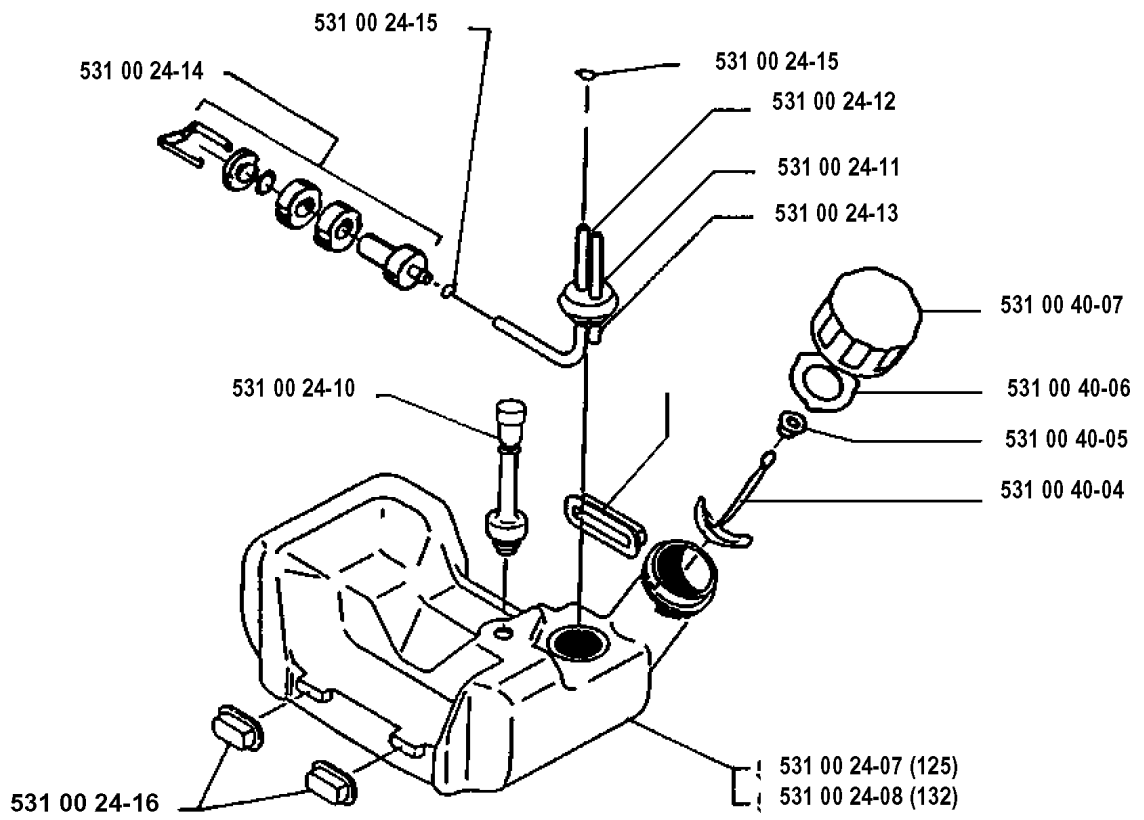


MUFFLER

125 RB, 19931400001-Current

Part No	Description	Remark	QTY KIT
531 00 23-54	MUFFLER	125	1
531 00 23-55	MUFFLER	132	1
531 00 23-56	PLATE		1
531 00 23-57	GASKET	125	1
531 00 23-58	GASKET	132	1
531 00 23-59	MUFFLER	125	1
531 00 23-60	MUFFLER	132	1
531 00 24-18	SPACER		1
725 53 29-01	SCREW IHSCM	M5 X 16	1
725 53 31-01	SCREW IHSCM	M5 X 20	1
725 53 33-01	SCREW IHSCM	M5 X 25	1

G

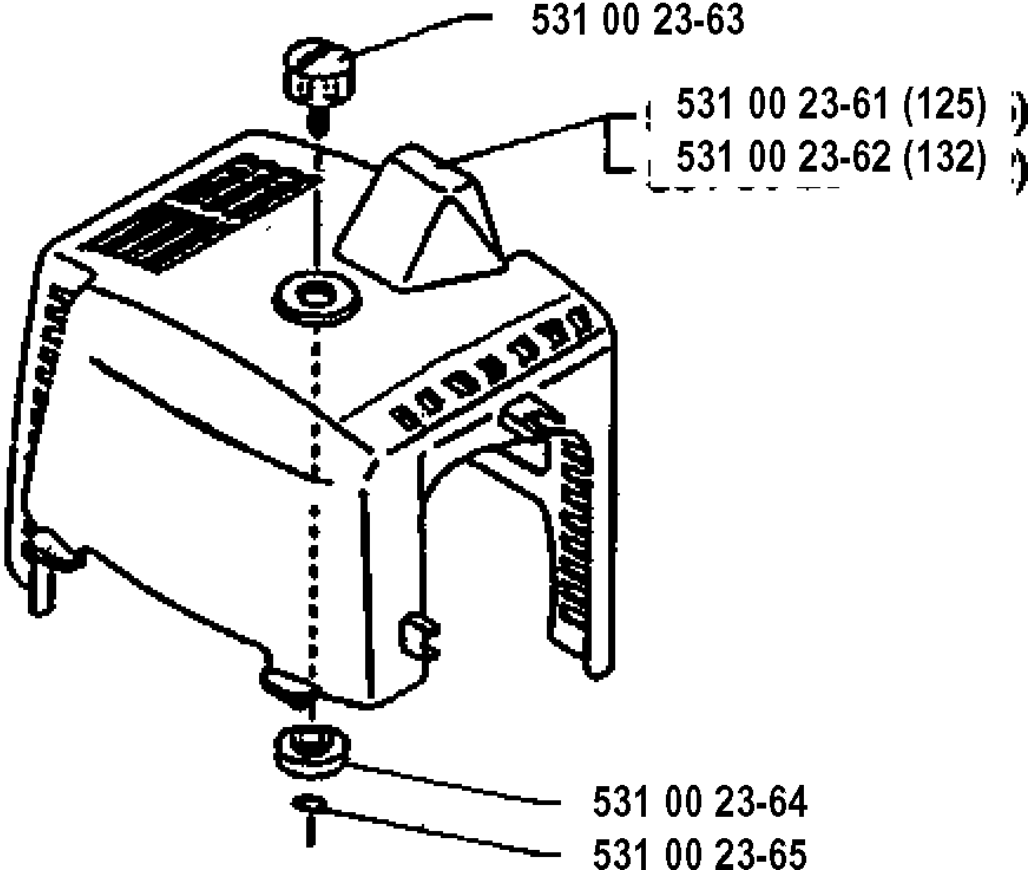


FUEL TANK

125 RB, 19931400001-Current

Part No	Description	Remark	QTY KIT
531 00 24-07	TANK	125	1
531 00 24-08	TANK	132	1
531 00 24-10	VALVE		1
531 00 24-11	SLEEVE		1
531 00 24-12	HOSE		1
531 00 24-13	PIPE		1
531 00 24-14	FILTER		1
531 00 24-15	CLIP		1
531 00 24-15	CLIP		1
531 00 24-16	SLEEVE		1
531 00 40-04	HOLDER		1
531 00 40-05	BRACKET		1
531 00 40-06	GASKET		1
531 00 40-07	TANK CAP		1

B

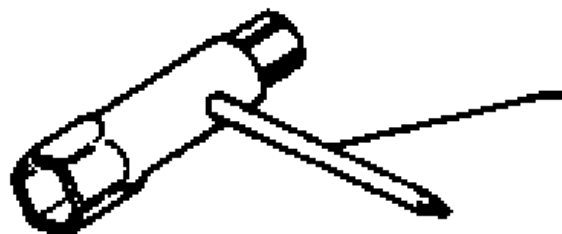


CYLINDER COVER

125 RB, 19931400001-Current

Part No	Description	Remark	QTY KIT
531 00 23-61	COVER	125	1
531 00 23-62	COVER	132	1
531 00 23-63	SCREW		1
531 00 23-64	SPACER		1
531 00 23-65	RETAINING RING		1

P



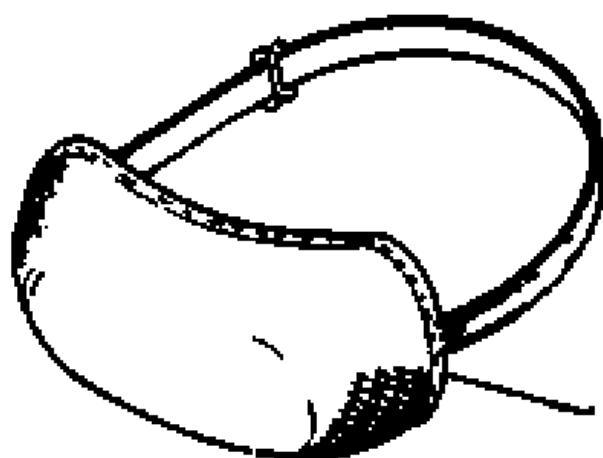
501 69 17-01



501 31 40-01



502 02 61-01



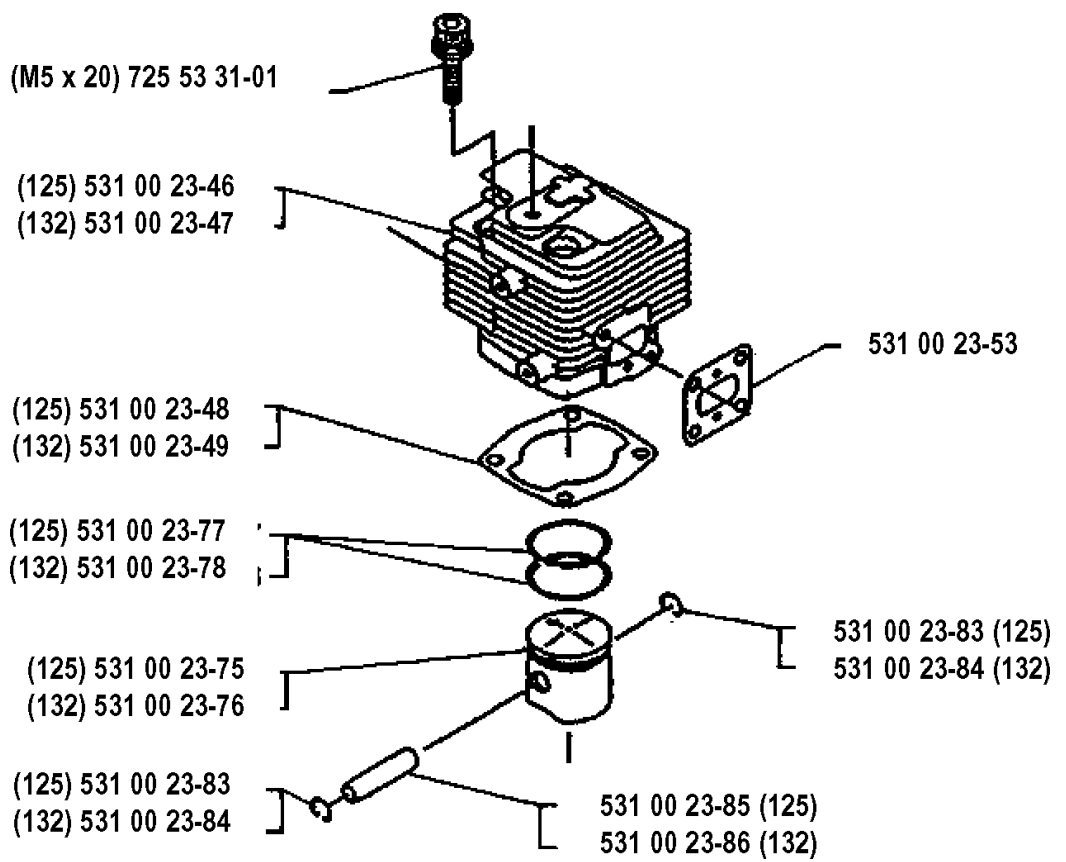
501 95 49-01 |

ACCESSORIES

125 RB, 19931400001-Current

Part No	Description	Remark	QTY KIT
501 31 40-01	SPANNER OPEN-ENDED		1
501 69 17-01	COMBINATION WRENCH		1
501 95 49-01	SAFETY GLASSES		1
502 02 61-01	STOP		1

C

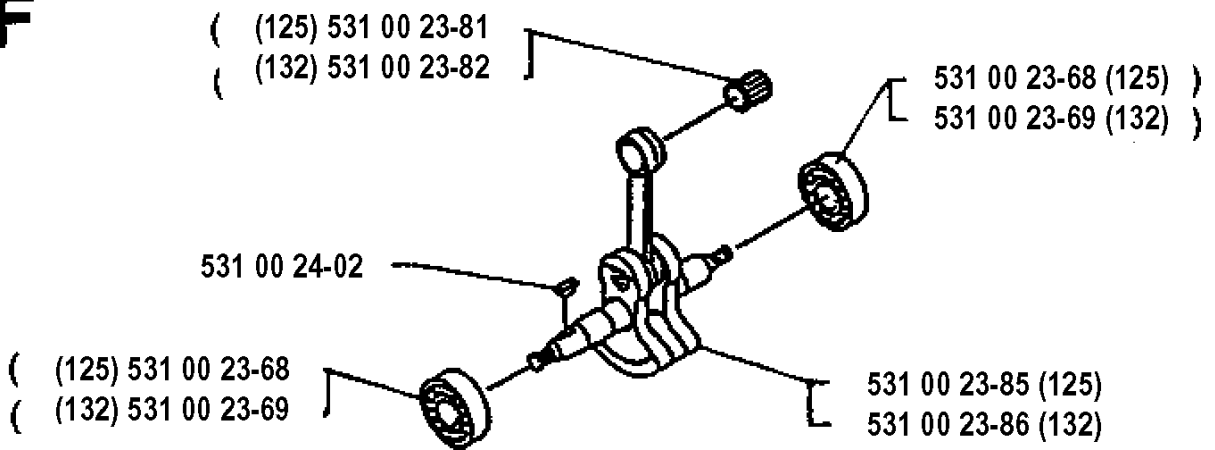


CYLINDER PISTON

125 RB, 19931400001-Current

Part No	Description	Remark	QTY KIT
531 00 23-46	CYLINDER	125	1
531 00 23-47	CYLINDER	132	1
531 00 23-48	GASKET	125	1
531 00 23-49	GASKET	132	1
531 00 23-53	GASKET		1
531 00 23-75	PISTON	125	1
531 00 23-76	PISTON	132	1
531 00 23-77	PISTON RING	125	1
531 00 23-78	PISTON RING	132	1
531 00 23-83	CLIP	125	1
531 00 23-83	CLIP	125	1
531 00 23-84	CLIP	132	1
531 00 23-84	CLIP	132	1
531 00 23-85	CRANKSHAFT	125	1
531 00 23-86	CRANKSHAFT	132	1
725 53 31-01	SCREW IHSCM	M5 X 20	1

F



CRANKSHAFT

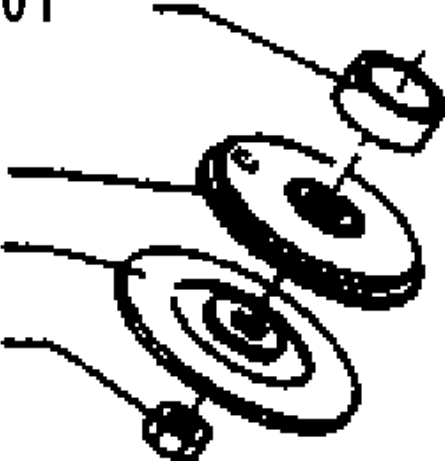
125 RB, 19931400001-Current

Part No	Description	Remark	QTY KIT
531 00 23-68	BEARING	125	1
531 00 23-68	BEARING	125	1
531 00 23-69	BEARING	132	1
531 00 23-69	BEARING	132	1
531 00 23-81	SUPPORT BUSHING	125	1
531 00 23-82	SUPPORT BUSHING	132	1
531 00 23-85	CRANKSHAFT	125	1
531 00 23-86	CRANKSHAFT	132	1
531 00 24-02	KEY		1

Q

502 19 19-01

- ! **502 18 09-01**
- ! **502 18 10-01**
- ! **502 04 55-01**

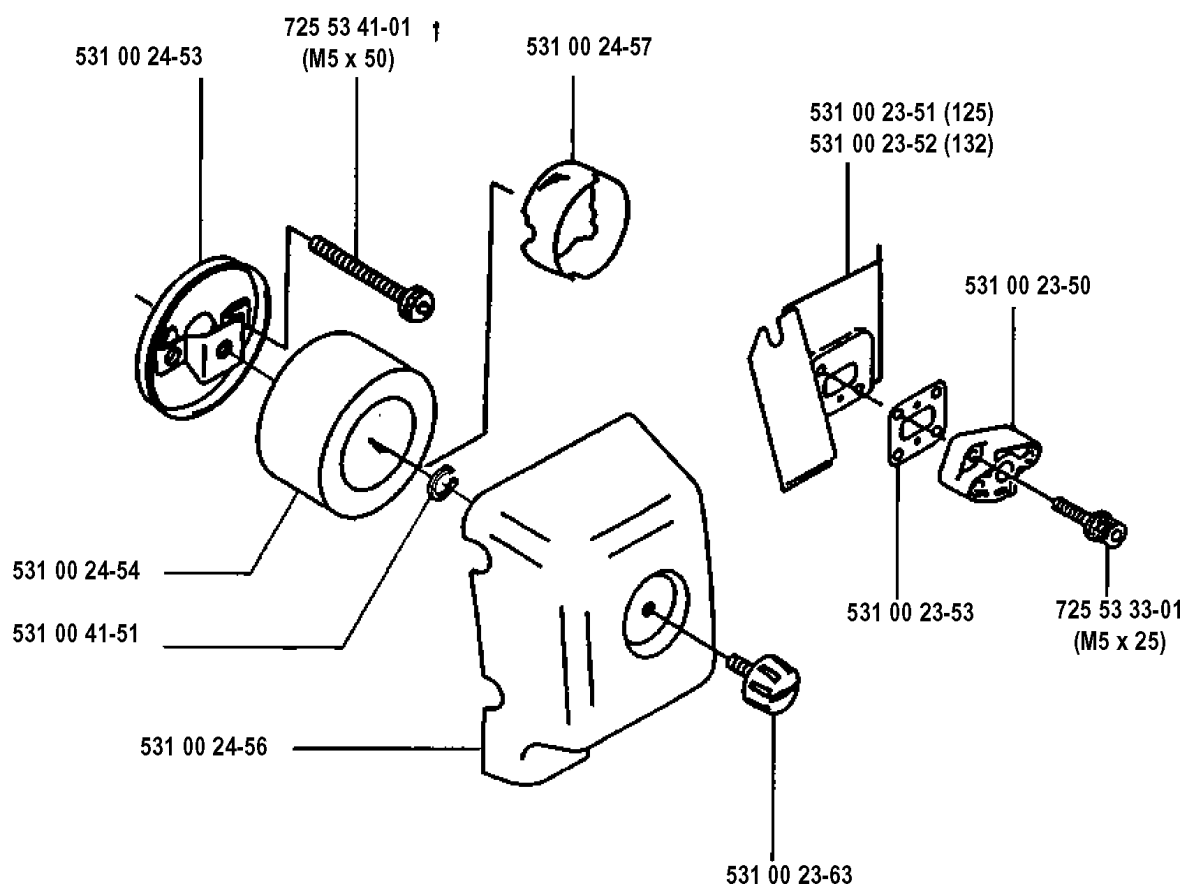


BEVEL GEAR

125 RB, 19931400001-Current

Part No	Description	Remark	QTY KIT
502 04 55-01	NUT		1
502 18 09-01	DRIVER		1
502 18 10-01	FLANGE		1
502 19 19-01	SPACER		1

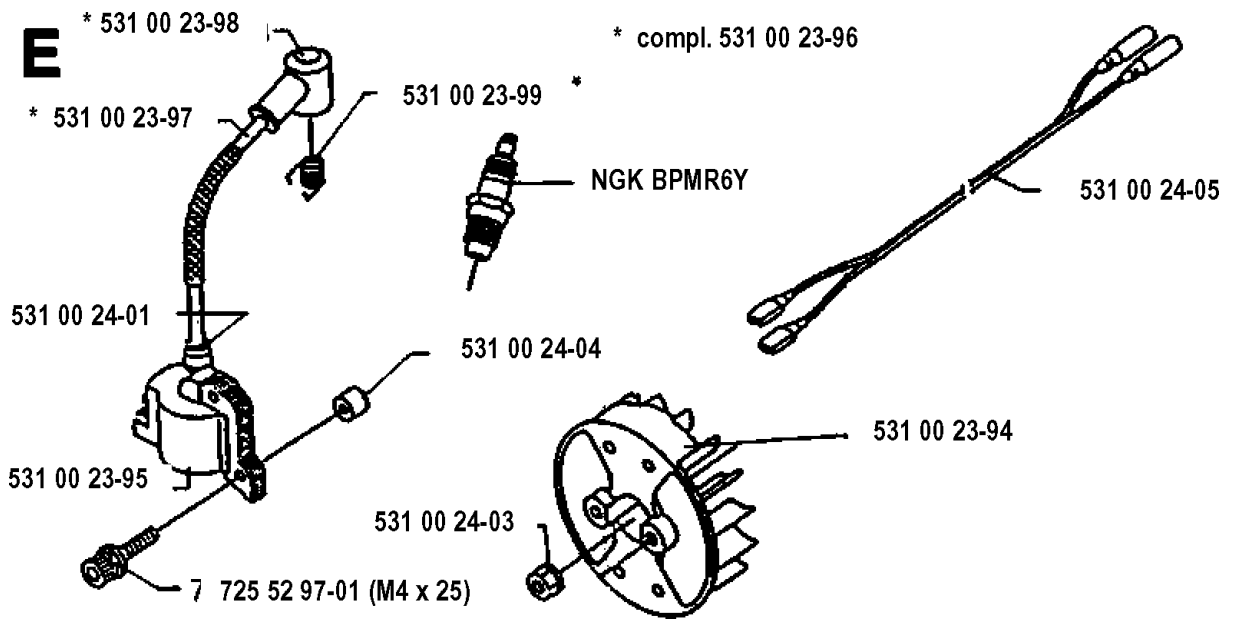
D



AIR FILTER

125 RB, 19931400001-Current

Part No	Description	Remark	QTY KIT
531 00 23-50	INSULSTER		1
531 00 23-51	PLATE	125	1
531 00 23-52	PLATE	132	1
531 00 23-53	GASKET		1
531 00 23-63	SCREW		1
531 00 24-53	HOLDER		1
531 00 24-54	AIR FILTER		1
531 00 24-56	COVER		1
531 00 24-57	SCREEN		1
531 00 41-51	RETAINER RING		1
725 53 33-01	SCREW IHSCM	M5 X 25	1
725 53 41-01	SCREW IHSCM	M5 X 50	1



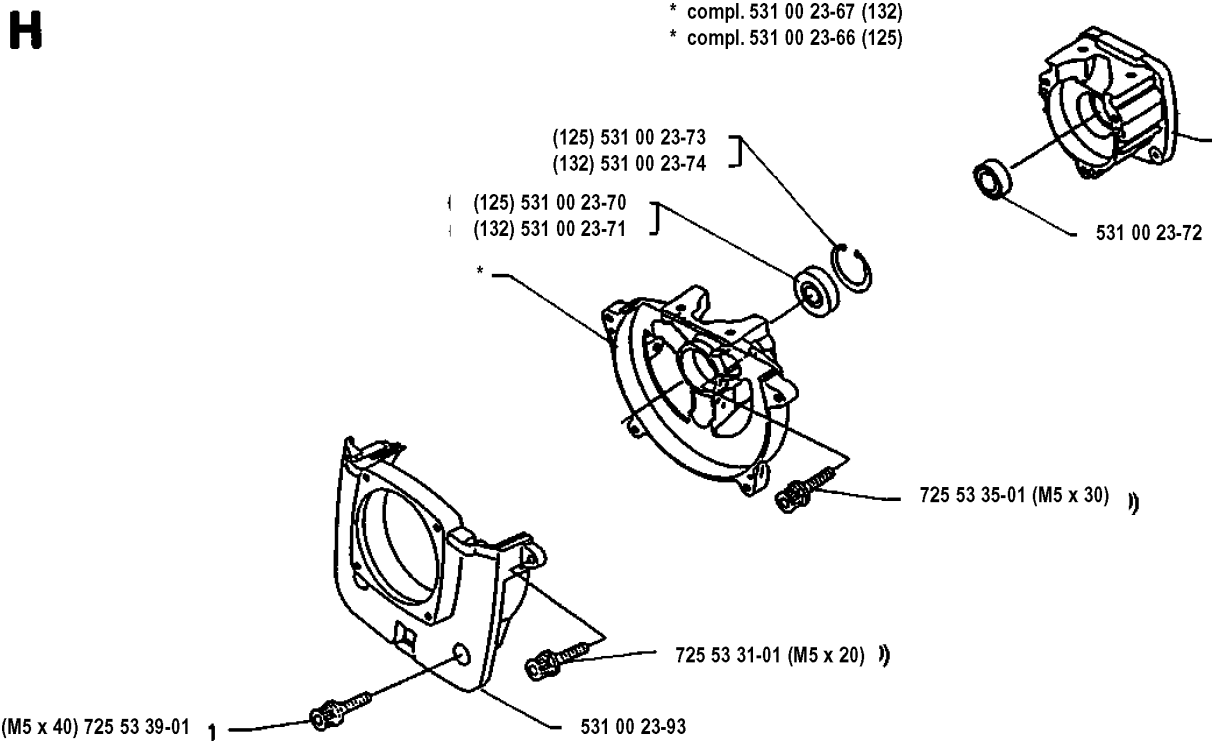
IGNITION SYSTEM

125 RB, 19931400001-Current

Part No	Description	Remark	QTY KIT
531 00 23-94	FLYWHEEL		1
531 00 23-95	IGNITION COIL		1
531 00 23-96	CABLE ASSY		1
531 00 23-97	CABLE		1
531 00 23-98	SPARK PLUG CONNECTION		1
531 00 23-99	SPRING		1
531 00 24-01	SLEEVE		1
531 00 24-03	NUT		1
531 00 24-04	SPACER		1
531 00 24-05	CABLE		1
725 52 97-01	SCREW IHSCM	M4 X 25	1

H

* compl. 531 00 23-67 (132)
* compl. 531 00 23-66 (125)

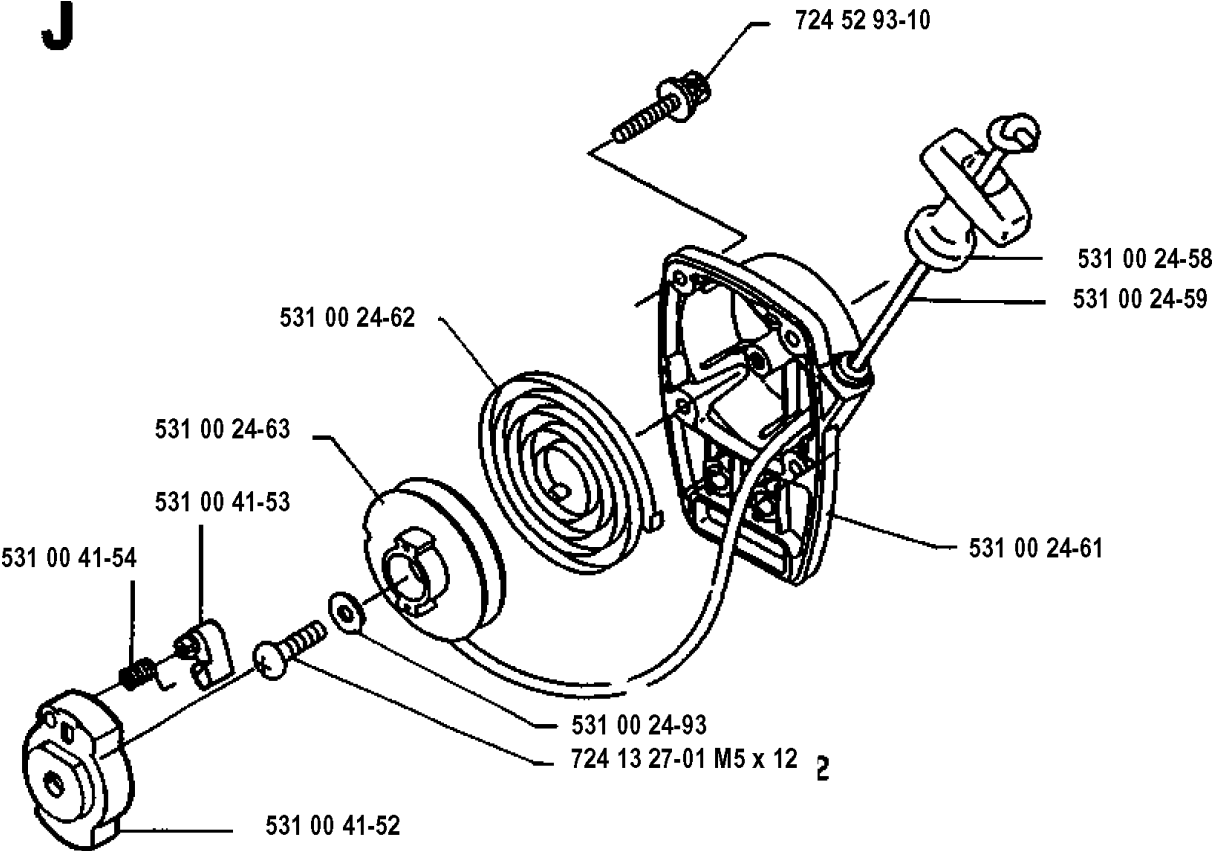


CRANKCASE

125 RB, 19931400001-Current

Part No	Description	Remark	QTY KIT
531 00 23-66	CRANKCASE	125	1
531 00 23-67	CRANKCASE	132	1
531 00 23-70	SEAL RING	125	1
531 00 23-71	SEAL RING	132	1
531 00 23-72	SEALING RING		1
531 00 23-73	RETAINER RING	125	1
531 00 23-74	RETAINER RING	132	1
531 00 23-93	COVER		1
725 53 31-01	SCREW IHSCM	M5 X 20	1
725 53 35-01	SCREW IHSCM	M5 X 30	1
725 53 39-01	SCREW IHSCM	M5 X 40	1

J



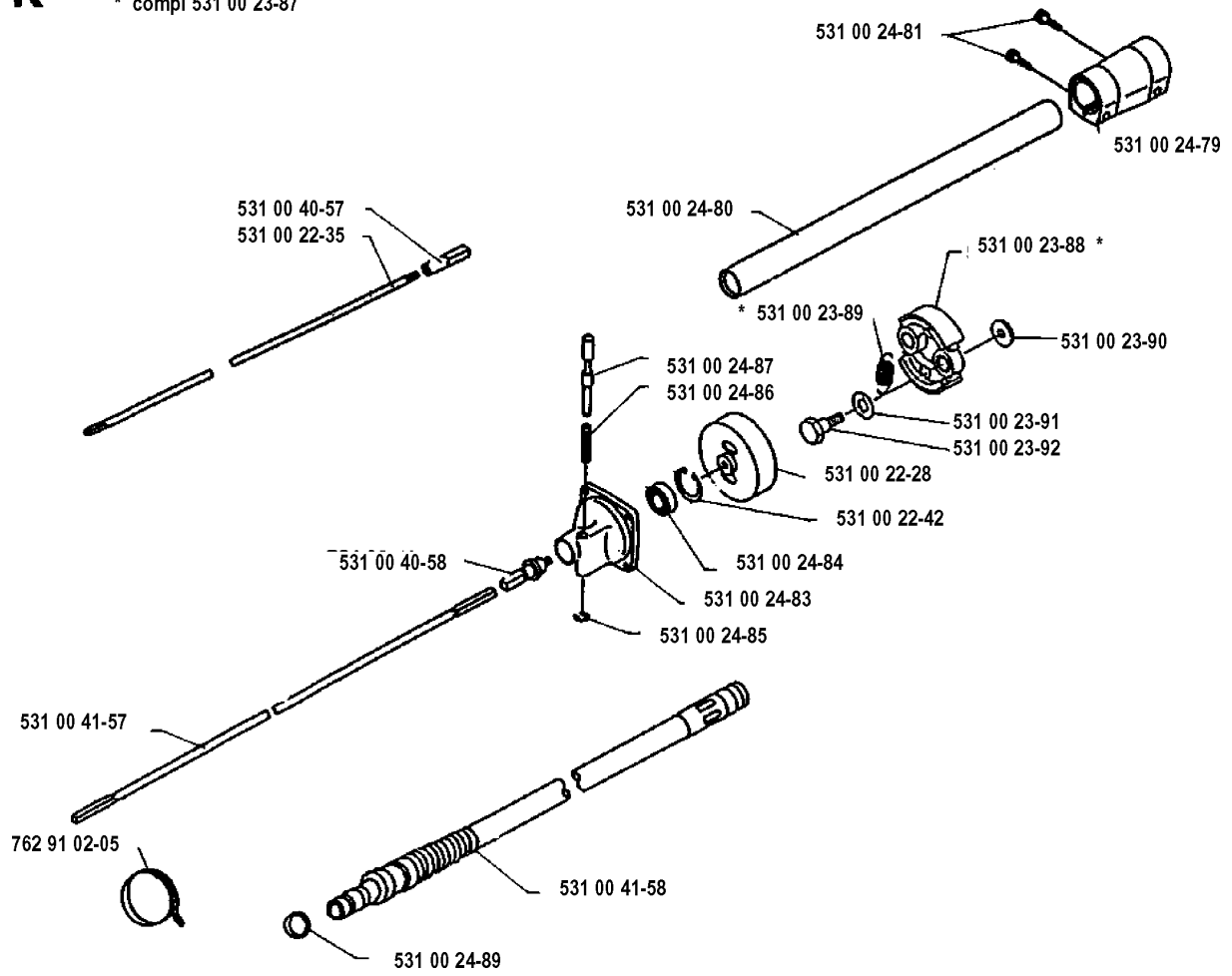
STARTER

125 RB, 19931400001-Current

Part No	Description	Remark	QTY KIT
531 00 24-58	HANDLE		1
531 00 24-59	STARTER ROPE		1
531 00 24-61	STARTER HOUSING		1
531 00 24-62	SPRING		1
531 00 24-63	STARTER PULLEY		1
531 00 24-93	WASHER		1
531 00 41-52	STARTER PULLEY		1
531 00 41-53	PAWL		1
531 00 41-54	SPRING		1
724 13 27-01	SCREW CRPANM	M5 X 12	1
724 52 93-10			1

K

* compl 531 00 23-87



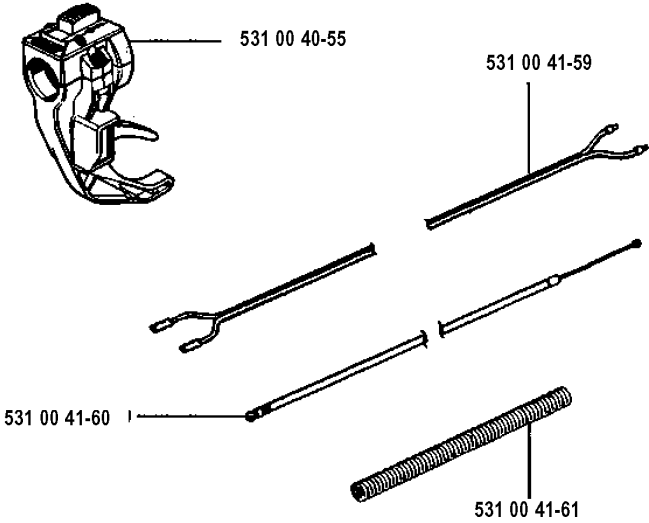
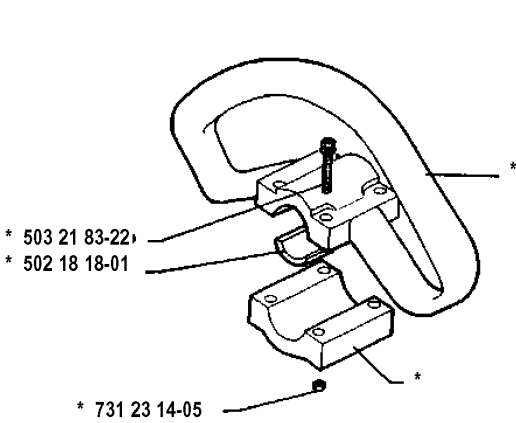
SHAFT

125 RB, 19931400001-Current

Part No	Description	Remark	QTY KIT
531 00 22-28	CLUTCH DRUM		1
531 00 22-35	DRIVE SHAFT		1
531 00 22-42	SNAP RING		1
531 00 23-87	CLUTCH ASSY		1
531 00 23-88	CLUTCH		1
531 00 23-89	SPRING		1
531 00 23-90	WASHER		1
531 00 23-91	WASHER		1
531 00 23-92	SCREW		1
531 00 24-79	BRACKET		1
531 00 24-80	TUBE		1
531 00 24-81	SCREW		1
531 00 24-83	HOUSING		1
531 00 24-84	BEARING		1
531 00 24-85	RETAINER RING		1
531 00 24-86	SPRING		1
531 00 24-87	SHAFT		1
531 00 24-89	O-RING		1
531 00 40-57	CLUTCH CASE		1
531 00 40-58	CLUTCH DRUM		1
531 00 41-57	SHAFT		1
531 00 41-58	HOSE		1
762 91 02-05	TIE WRAP		1

N

* compl. 502 18 14-01

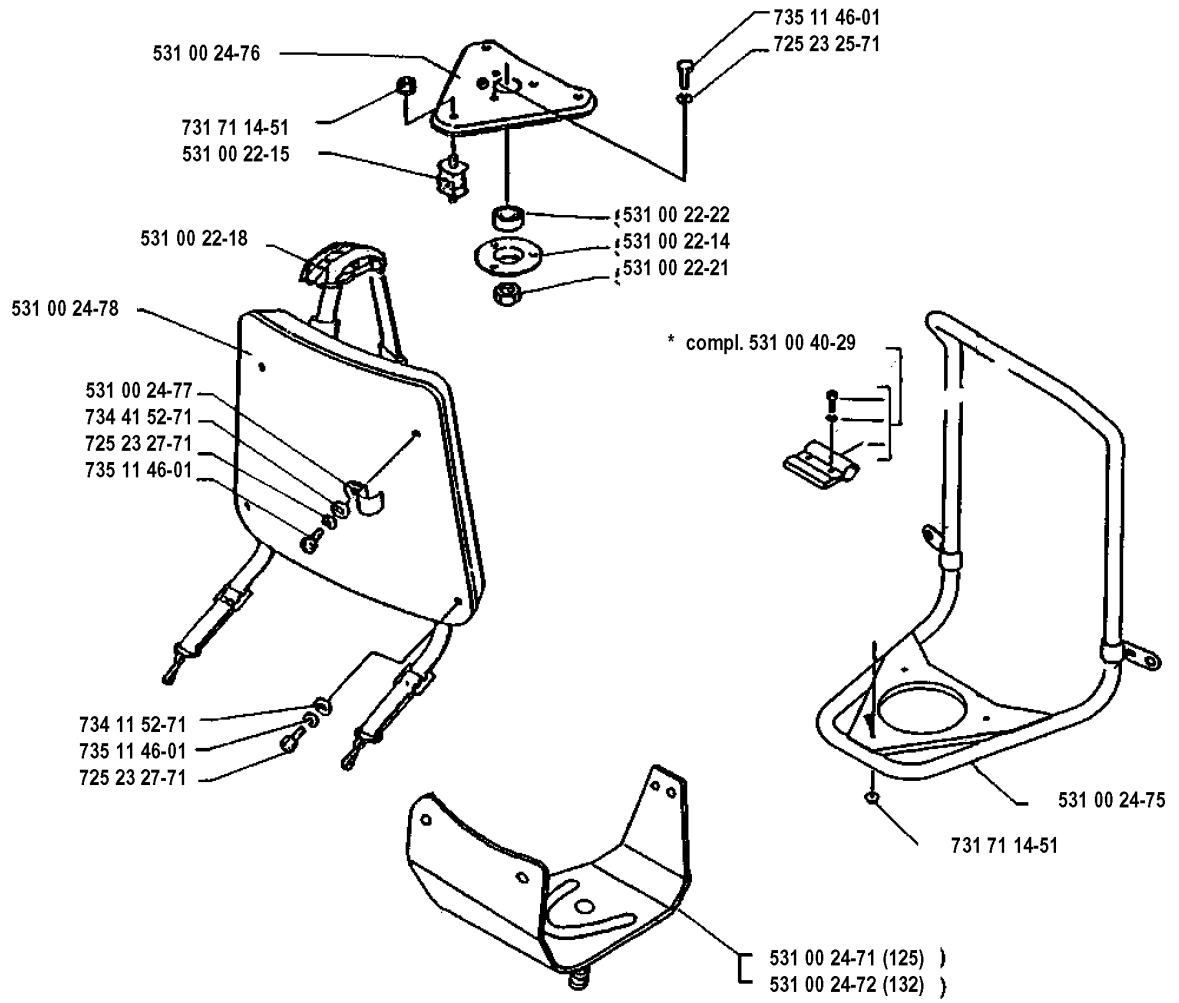


HANDLE & CONTROLS

125 RB, 19931400001-Current

Part No	Description	Remark	QTY KIT
502 18 14-01	HANDLE		1
502 18 18-01	DAMPER		1
503 21 83-22	SCREW		1
531 00 40-55	THROTTLE TRIGGER		1
531 00 41-59	WIRE		1
531 00 41-60	THROTTLE WIRE		1
531 00 41-61	TUBE		1
731 23 14-05	HEXAGON NUT		1

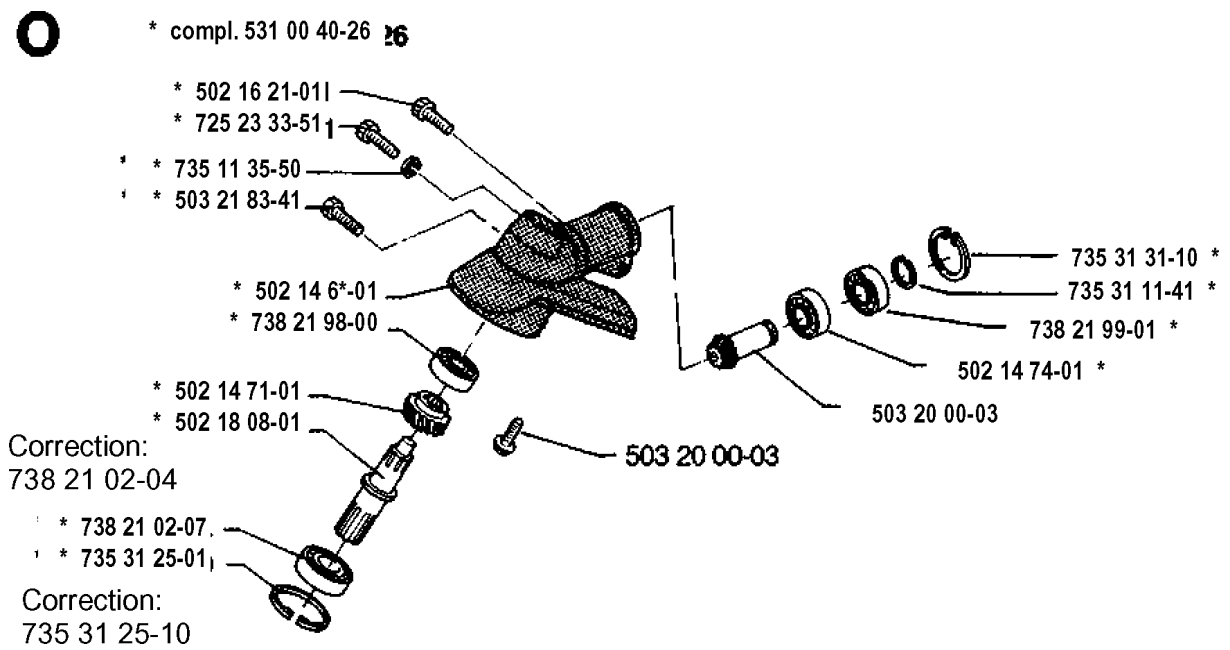
L



HARNESS

125 RB, 19931400001-Current

Part No	Description	Remark	QTY KIT
531 00 22-14	BEARING HOUSING		1
531 00 22-15	ABSORBER		1
531 00 22-18	BELT		1
531 00 22-21	NUT		1
531 00 22-22	BEARING		1
531 00 24-71	HOLDER	125	1
531 00 24-72	HOLDER	132	1
531 00 24-75	FRAME		1
531 00 24-76	BRACKET		1
531 00 24-77	BRACKET		1
531 00 24-78	SUPPORT		1
531 00 40-29	BRACKET		1
725 23 25-71	SCREW EHHM		1
725 23 27-71	SCREW EHHM		1
725 23 27-71	SCREW EHHM		1
731 71 14-51	HEXAGON NUT FLANGE		1
731 71 14-51	HEXAGON NUT FLANGE		1
734 11 52-71			1
734 41 52-71	WASHER		1
735 11 46-01	SPRING WASHER		1
735 11 46-01	SPRING WASHER		1
735 11 46-01	SPRING WASHER		1



BEVEL GEAR

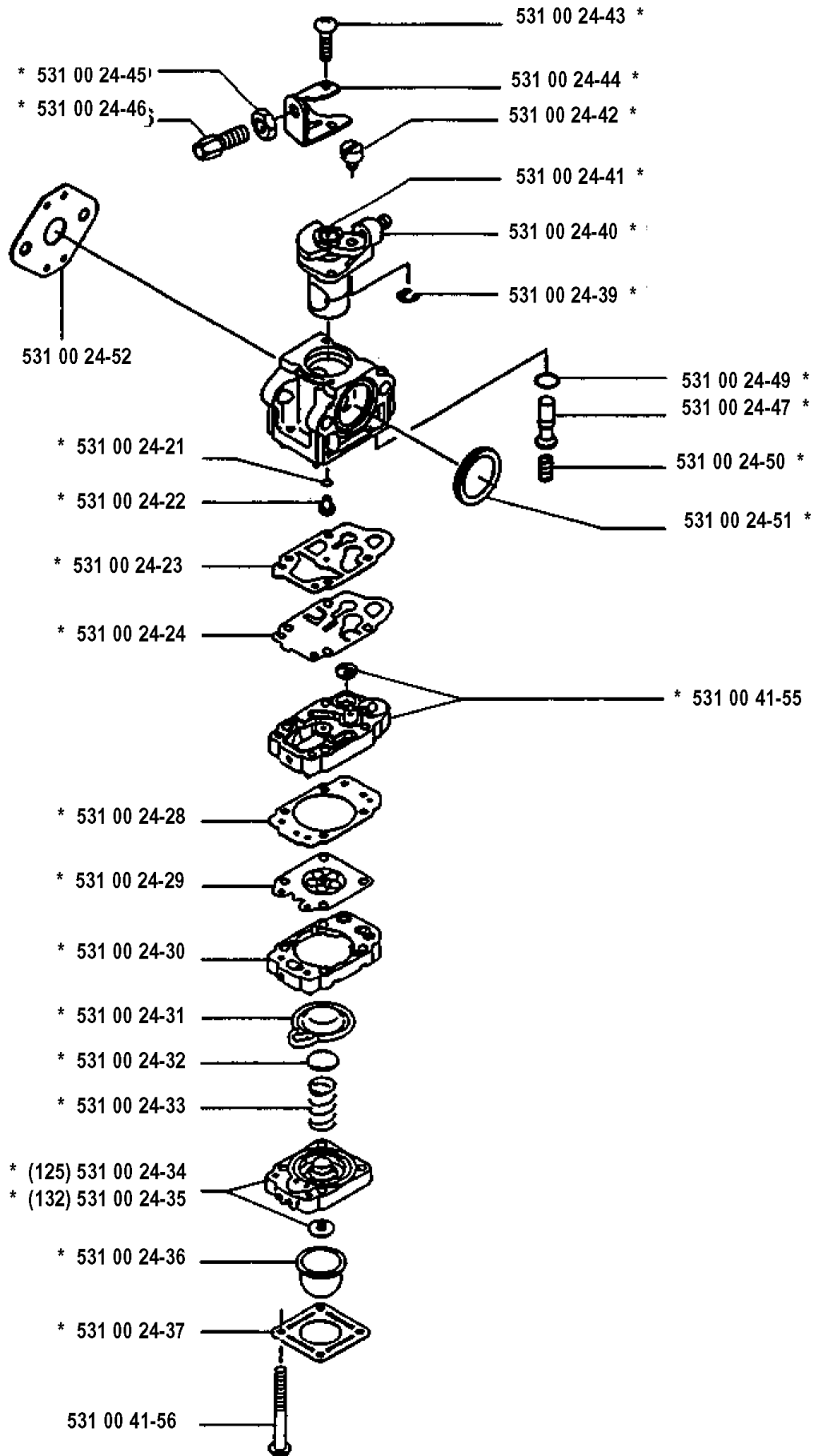
125 RB, 19931400001-Current

Part No	Description	Remark	QTY KIT
50 21 46-01			1
502 14 71-01	GEAR WHEEL		1
502 14 74-01	AXLE		1
502 16 21-01	SCREW		1
502 18 08-01	AXIS		1
503 20 00-03	SCREW		1
503 20 00-03	SCREW		1
503 21 83-41	SCREW		1
531 00 40-26	BEVEL GEAR		1
725 23 33-51	SCREW EHHM		1
735 11 35-50	WASHER		1
735 31 11-41	RETAINER RING		1
735 31 25-01	CIRCLIP		1
735 31 25-10	CIRCLIP		1
735 31 31-10	CIRCLIP		1
738 21 02-04	BALL BEARING		1
738 21 02-07	BALL BEARING		1
738 21 98-00	BALL BEARING		1
738 21 99-01	BALL BEARING		1

M

* compl. 531 00 24-20 (132)

* compl. 531 00 24-1* (125)



CARBURETOR DETAILS

125 RB, 19931400001-Current

Part No	Description	Remark	QTY KIT
53 10 02-41		125	1
531 00 24-20	CARBURETTOR	132	1
531 00 24-21	O-RING		1
531 00 24-22	JET		1
531 00 24-23	GASKET		1
531 00 24-24	DIAPHRAGM		1
531 00 24-28	GASKET		1
531 00 24-29	DIAPHRAGM		1
531 00 24-30	HOUSING		1
531 00 24-31	DIAPHRAGM		1
531 00 24-32	HOLDER		1
531 00 24-33	SPRING		1
531 00 24-34	HOUSING	125	1
531 00 24-35	HOUSING	132	1
531 00 24-36	BULB		1
531 00 24-37	COVER		1
531 00 24-39	CIRCLIP		1
531 00 24-40	THROTTLE VALVE		1
531 00 24-41	PLUG		1
531 00 24-42	CONNECTION		1
531 00 24-43	SCREW		1
531 00 24-44	BRACKET		1
531 00 24-45	NUT		1
531 00 24-46	SCREW		1
531 00 24-47	VALVE		1
531 00 24-49	O-RING		1
531 00 24-50	SPRING		1
531 00 24-51	GASKET		1
531 00 24-52	GASKET		1
531 00 41-55	PUMP BODY		1
531 00 41-56	SCREW		1