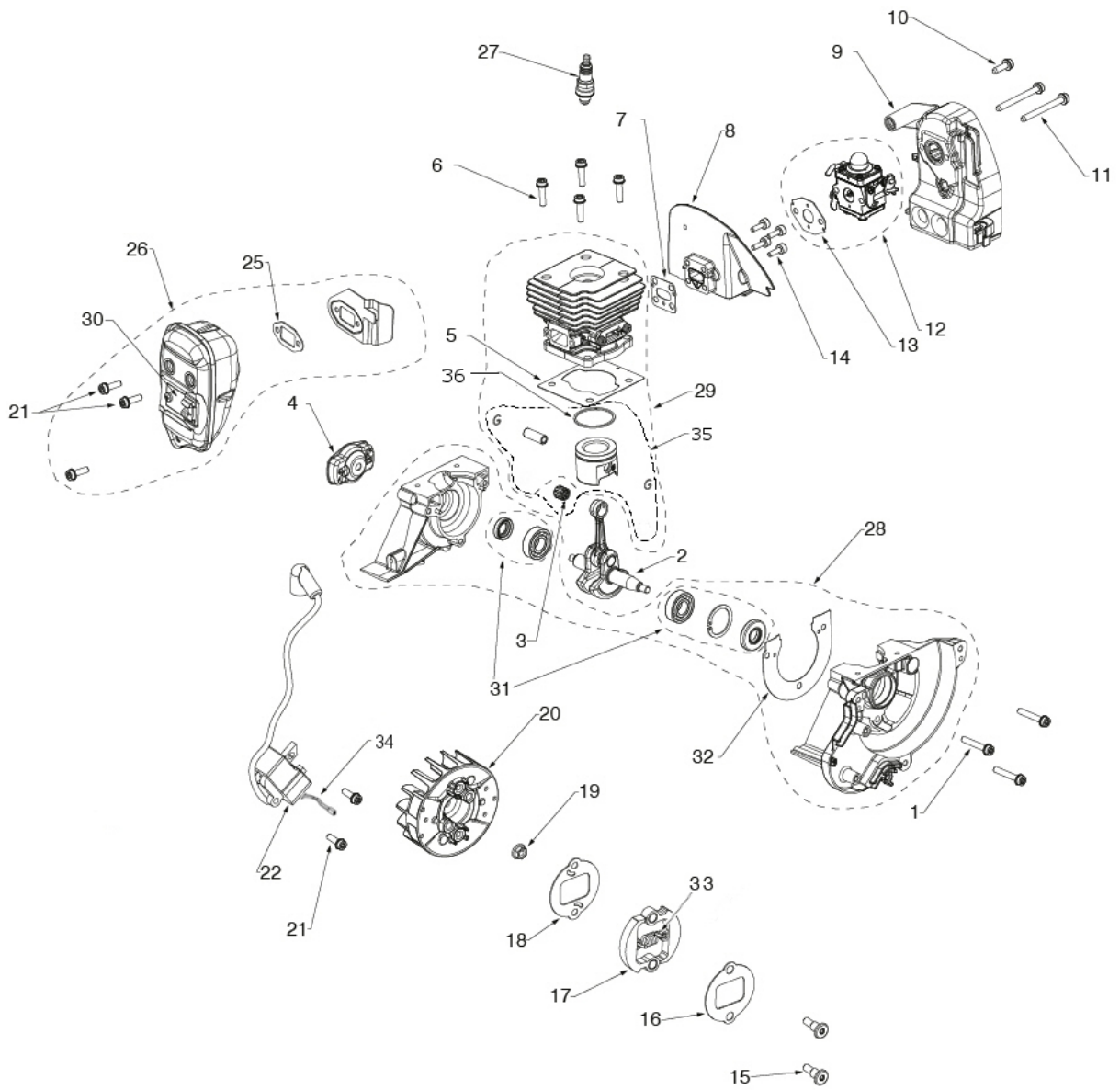




SPARE PARTS LIST

BRUSHCUTTERS/CLEARING SAWS

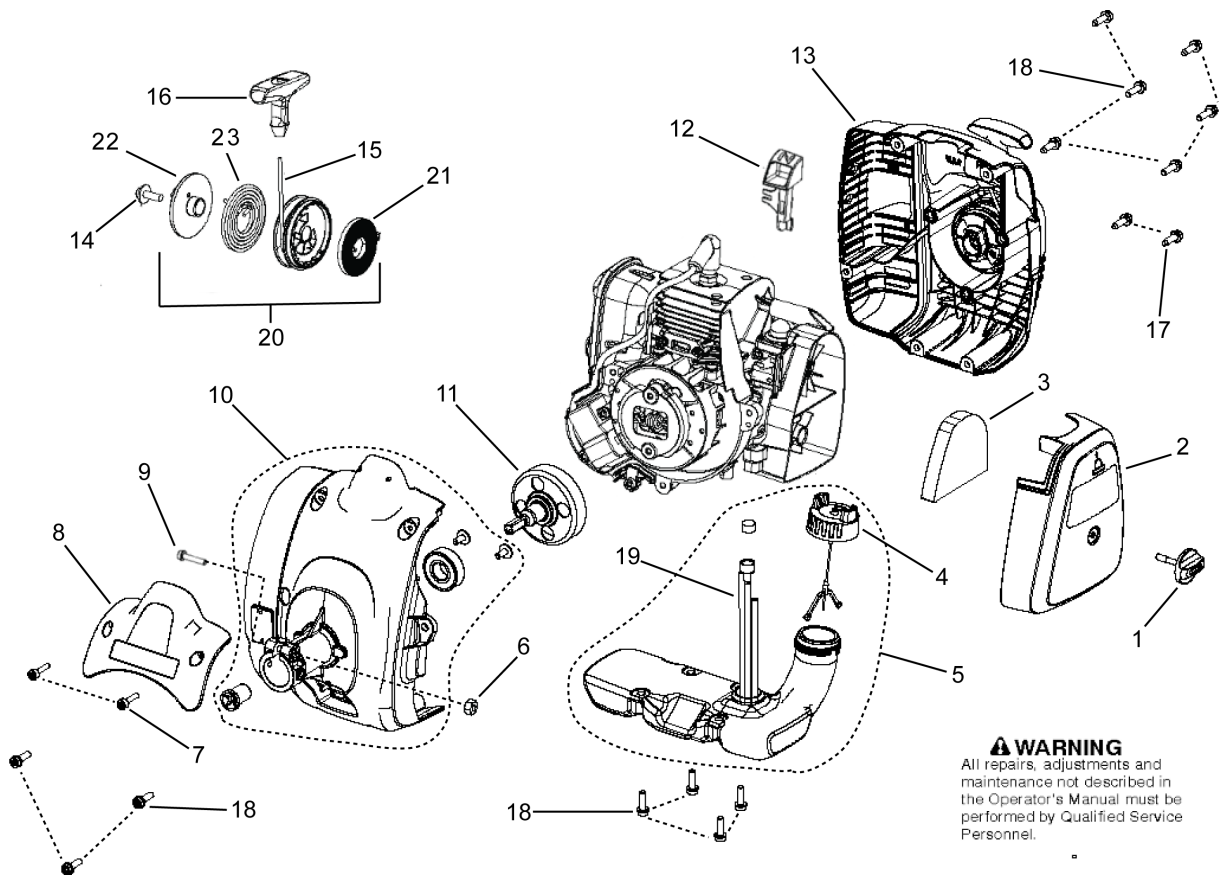
129 RJ, 967193401,
20160900001-current, ROW



ENGINE

129 RJ, 967193401, 20160900001-current, ROW

Ref	Part No	Description	Remark	QTY	KIT
1	525 75 51-03	SCREW ITXSCFM		1	
2	522 92 89-03	CRANKSHAFT ASSY		1	
3	578 19 48-01	NEEDLE BEARING		1	
4	503 87 33-05	STARTER PAWL		1	
5	579 52 29-01	GASKET		1	
6	525 75 51-02	SCREW ITXSCFM		1	
7	579 62 26-03	GASKET		1	
8	579 62 25-01	INSULATION WALL		1	
9	580 98 55-01	FILTER HOLDER ASSY		1	
10	573 92 58-01	SCREW ITXSCFT		1	
11	573 92 58-02	SCREW ITXSCFT		1	
12	545 00 80-97	KIT	CARBURETOR	1	
13	530 01 91-94	GASKET		1	
14	525 76 09-06	SCREW ITXSCM		1	
15	525 61 54-01	SCREW		1	
16	525 61 30-01	WASHER		1	
17	575 76 22-02	CLUTCH ASSY	INCL. 33	1	
18	525 61 29-01	WASHER		1	
19	731 71 16-51	HEXAGON NUT FLANGE		1	
20	510 08 82-02	FLYWHEEL		1	
21	525 75 51-01	SCREW ITXSCFM		1	
22	579 52 54-02	IGNITION MODULE		1	
25	580 98 58-01	GASKET		1	
26	545 00 80-98	KIT	MUFFLER	1	
27	545 00 80-93	KIT	SPARK PLUG	1	
28	580 44 66-32	KIT	CRANKCASE	1	
29	591 39 76-01	SERVICE KIT	PISTON & CYLINDER	1	
30	580 44 66-03	KIT	SPARK ARRESTOR	1	
31	501 85 62-01	SEAL KIT		1	
32	579 52 28-01	GASKET		1	
33	587 03 70-01	SPRING		1	
34	584 99 39-01	SHORT CIRCUIT CABLE		1	
35	590 55 35-02	SERVICE KIT	PISTON	1	
36	579 52 46-01	PISTON RING		1	
	580 44 66-04	KIT	CARBURETOR GASKET	1	7,13
	545 00 80-95	KIT	GASKET KIT	1	5,7,13,2 5,32
	590 55 35-02	SERVICE KIT		1	

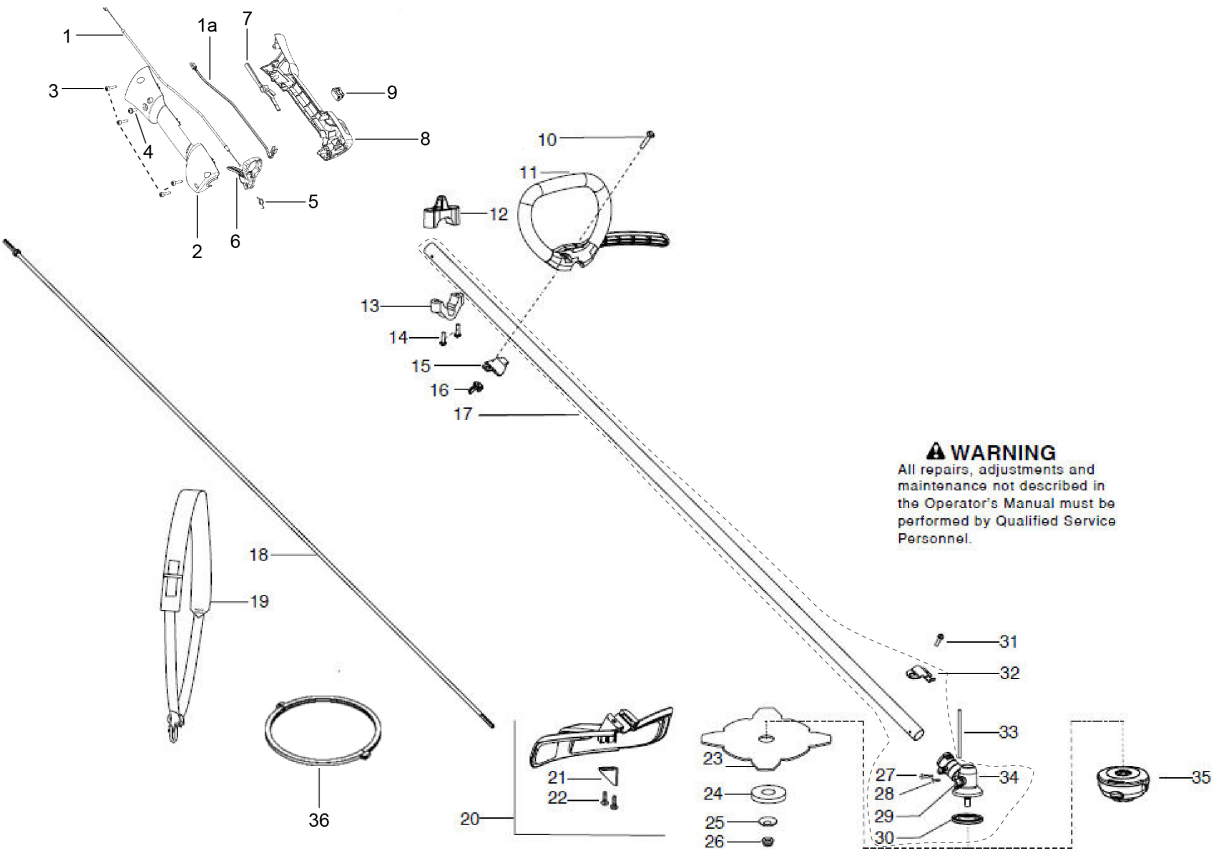


⚠ WARNING
All repairs, adjustments and maintenance not described in the Operator's Manual must be performed by Qualified Service Personnel.

HOUSING

129 RJ, 967193401, 20160900001-current, ROW

Ref	Part No	Description	Remark	QTY	KIT
1	537 21 32-09	KNOB		1	
2	524 85 38-01	FILTER COVER		1	
3	574 24 27-01	AIR FILTER		1	
4	574 16 23-04	TANK CAP ASSY		1	
5	545 00 80-94	KIT		1	4, 19, fuel filter
6	731 23 14-01	HEXAGON NUT		1	
7	574 44 40-01	SCREW ITXSCT		1	
8	585 64 49-01	GUARD		1	
9	525 75 51-04	SCREW ITXSCT		1	
10	584 99 38-01	CLUTCH COVER ASSY		1	
11	578 42 66-01	CLUTCH DRUM ASSY		1	
12	524 85 37-01	CHOKE BUTTON		1	
13	580 29 40-01	STARTER ASSY		1	
14	545 11 28-01	SCREW		1	
15	545 00 80-79	KIT-ROPE		1	
16	575 48 95-01	STARTER HANDLE		1	
17	573 92 58-01	SCREW ITXSCT		1	
18	525 75 51-01	SCREW ITXSCT		1	
19	545 00 80-96	KIT		1	
20	585 53 03-01	STARTER PULLEY		1	15,16,21
21	545 00 80-87	SPRING		1	
22	579 36 62-01	PULLEY		1	
23	578 46 51-01	SPRING		1	
-	574 60 39-01	FUEL FILTER		1	



⚠ WARNING
All repairs, adjustments and maintenance not described in the Operator's Manual must be performed by Qualified Service Personnel.

SHAFT & HANDLE

129 RJ, 967193401, 20160900001-current, ROW

Ref	Part No	Description	Remark	QTY KIT
1	574 48 90-03	THROTTLE ASSY	CABLE ONLY	1
1a	584 99 40-01	SHORT CIRCUIT CABLE		1
2	545 22 30-01	THROTTLE		1
3	530 01 64-49	SCREW		1
4	530 01 58-05	SCREW		1
5	530 01 64-54	RETURN SPRING		1
6	574 35 53-01	TRIGGER		1
7	574 35 54-01	THROTTLE		1
8	545 22 32-01	HOUSING		1
9	545 04 93-09	SWITCH MOMENTARY		1
10	530 01 58-20	SCREW		1
11	545 13 97-01	HANDLE		1
12	545 11 33-01	CLAMP		1
13	545 05 66-01	CLAMP		1
14	530 01 59-40	SCREW		1
15	530 05 91-85	CLAMP		1
16	530 01 61-52	WING NUT		1
17	580 44 66-21	KIT		1
18	545 00 75-07	SHAFT		1
19	537 21 62-01	HARNES		1
20	580 44 66-06	KIT		1
21	530 05 22-86	LINE		1
22	530 01 58-14	SCREW		1
23	504 00 13-03	GRASS BLADE		1
24	503 89 01-01	SUPPORT CUP		1
25	537 28 56-01	SUPPORT FLANGE		1
26	503 85 63-01	NUT		1
27	530 01 60-14	SCREW		1
28	545 00 39-02	SCREW		1
29	575 72 46-01	PLUG		1
30	537 23 49-01	DRIVER ASSY		1
31	530 01 57-71	SCREW		1
32	530 05 75-54	BRACKET		1
33	502 28 59-01	STOP		1
34	530 09 62-95	BEVEL GEAR		1
35	578 44 61-01	TRIMMER HEAD		1
36	537 31 29-01	TRANSPORT GUARD		1
	521 53 30-01	SOCKET		1
	580 44 66-19	KIT	DECAL	1