

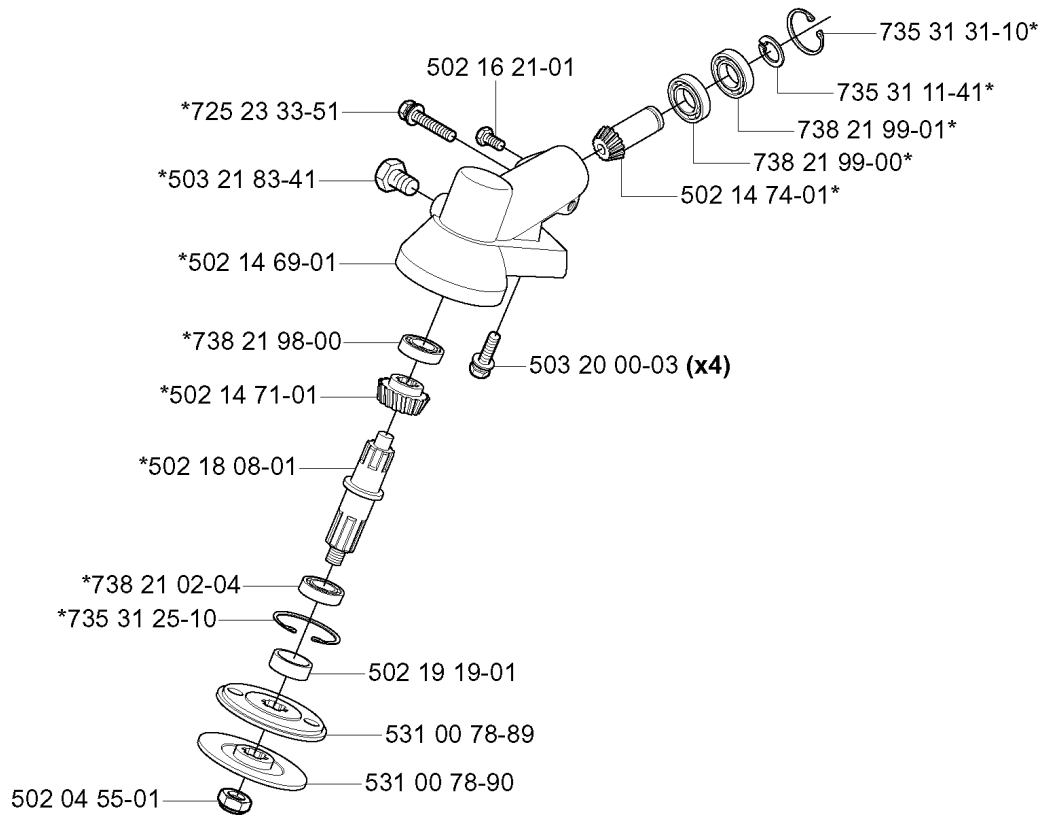


SPARE PARTS LIST

BRUSHCUTTERS/CLEARING SAWS

132 R, 20050100001-Current

A *compl 531 00 78-92 (1"=25,4mm)

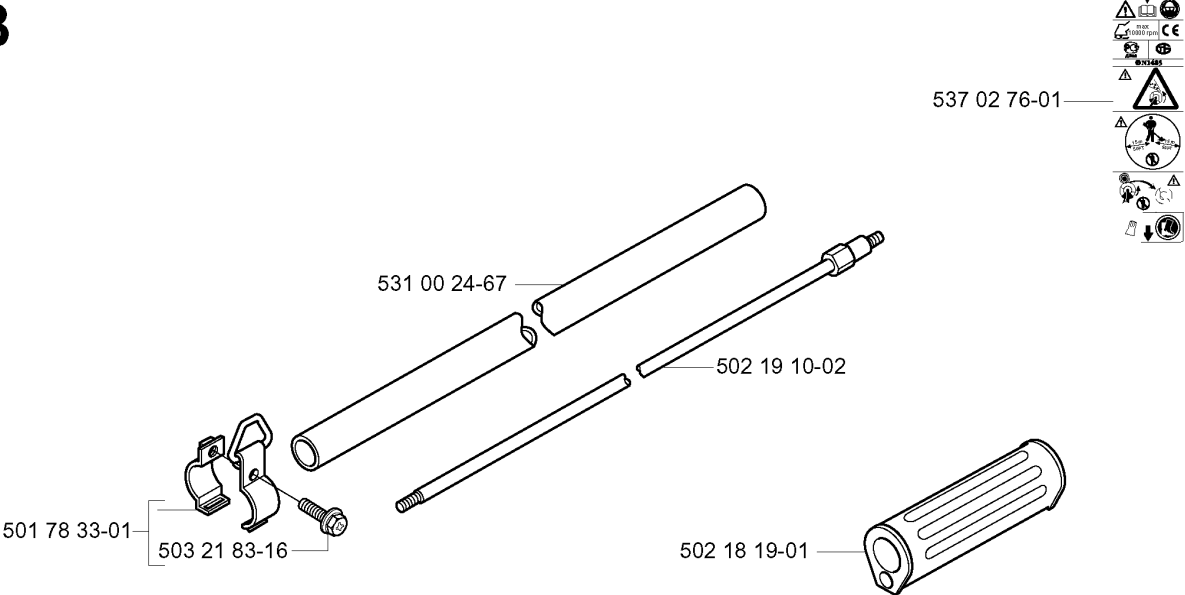


BEVEL GEAR

132 R, 20050100001-Current

Part No	Description	Remark	QTY KIT
502 04 55-01	NUT		1
502 14 69-01	GEAR HOUSING		1
502 14 71-01	GEAR WHEEL		1
502 14 74-01	AXLE		1
502 16 21-01	SCREW		1
502 18 08-01	AXIS		1
502 19 19-01	SPACER		1
503 20 00-03	SCREW		4
503 21 83-41	SCREW		1
531 00 78-89	CARRIER		1
531 00 78-90	FLANGE		1
531 00 78-92	BEVEL GEAR	1=25,4MM	1
725 23 33-51	SCREW EHHM		1
735 31 11-41	RETAINER RING		1
735 31 25-10	CIRCLIP		1
735 31 31-10	CIRCLIP		1
738 21 02-04	BALL BEARING		1
738 21 98-00	BALL BEARING		1
738 21 99-00	BALL BEARING		1
738 21 99-01	BALL BEARING		1

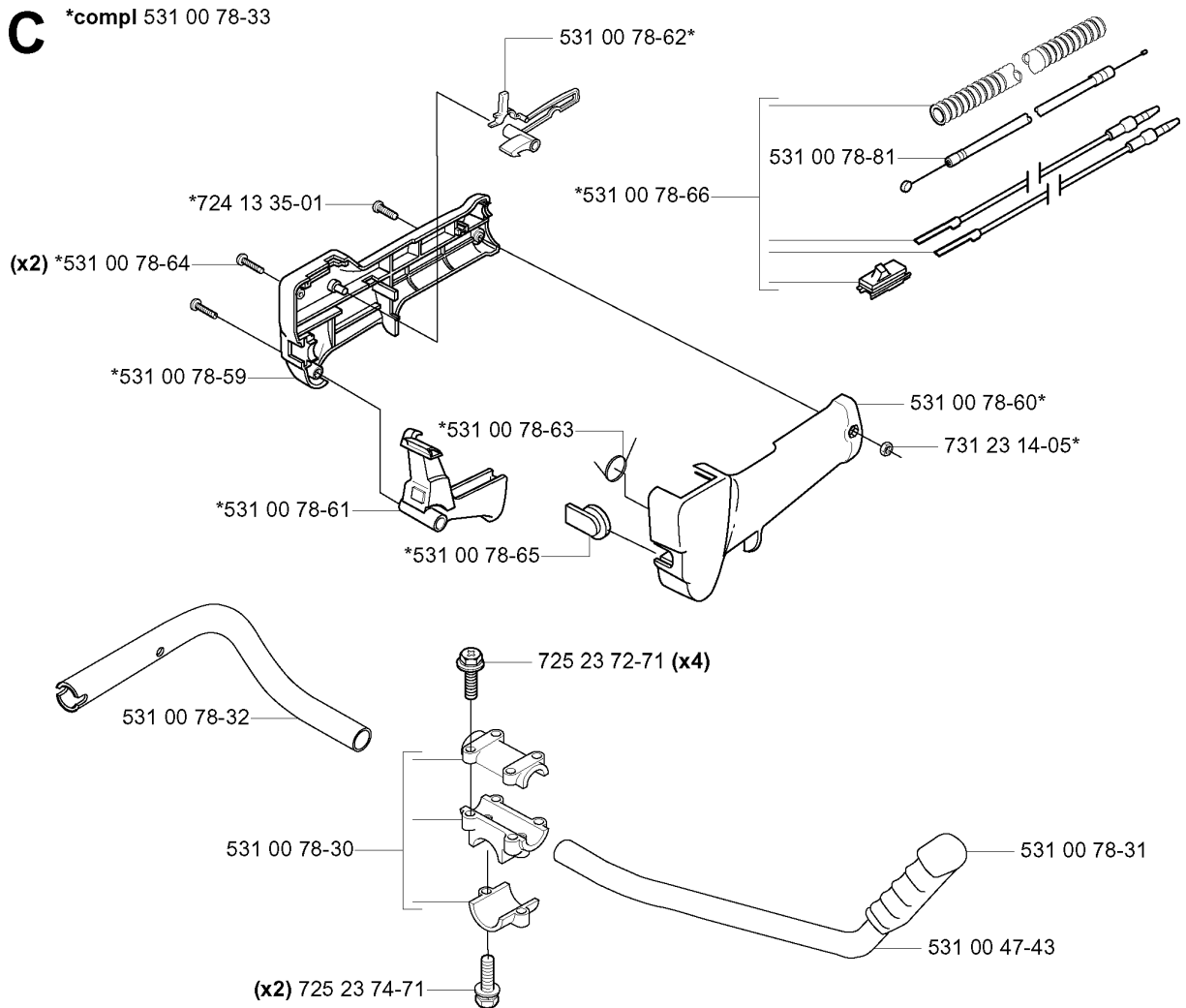
B



SHAFT

132 R, 20050100001-Current

Part No	Description	Remark	QTY KIT
501 78 33-01	SUSPENSION BAIL		1
502 18 19-01	HANDLE		1
502 19 10-02	SHAFT		1
503 21 83-16	SCREW		1
531 00 24-67	TUBE		1
537 02 76-01	LABEL		1

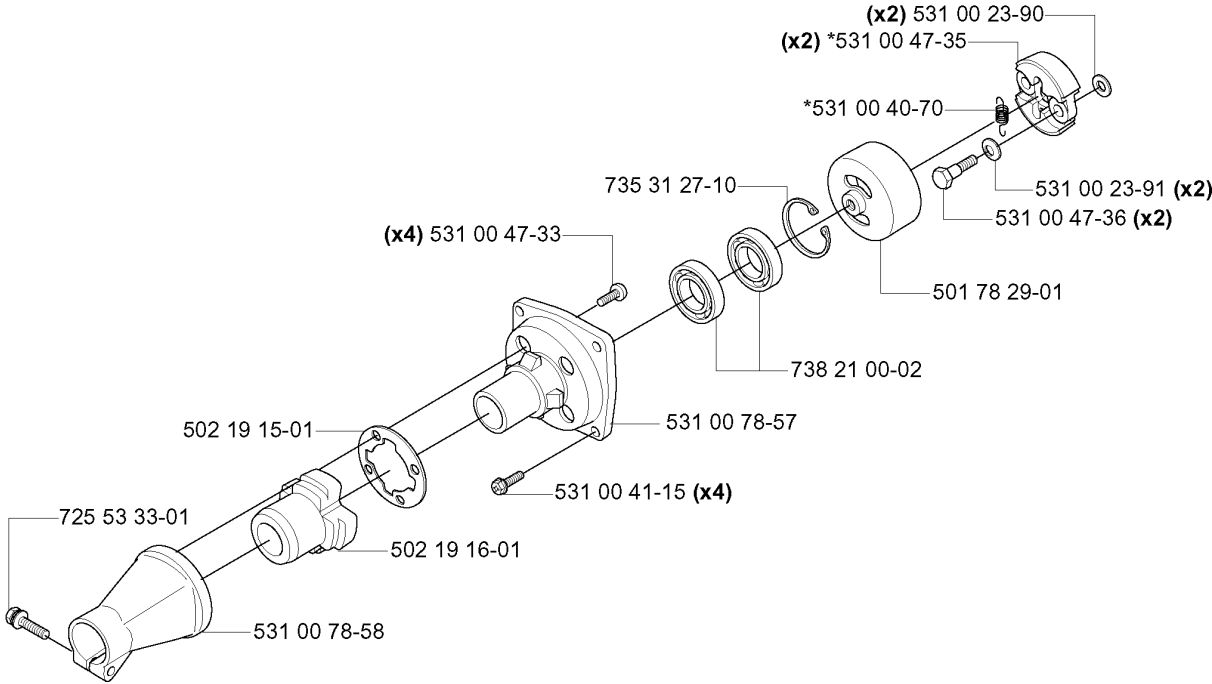


HANDLE & CONTROLS

132 R, 20050100001-Current

Part No	Description	Remark	QTY KIT
531 00 47-43	HANDLE		1
531 00 78-30	HOLDER		1
531 00 78-31	HANDLE		1
531 00 78-32	HANDLE		1
531 00 78-33	THROTTLE TRIGGER		1
531 00 78-59	HANDLE		1
531 00 78-60	HANDLE		1
531 00 78-61	LEVER		1
531 00 78-62	THROTTLE LOCK		1
531 00 78-63	RETURN SPRING		1
531 00 78-64	SCREW		2
531 00 78-65	COVER		1
531 00 78-66	CABLE ASSY		1
531 00 78-81	WIRE		1
724 13 35-01	SCREW CRPANM		1
725 23 72-71	SCREW EHHM		4
725 23 74-71	SCREW EHHM		2
731 23 14-05	HEXAGON NUT		1

D *compl 531 00 47-34

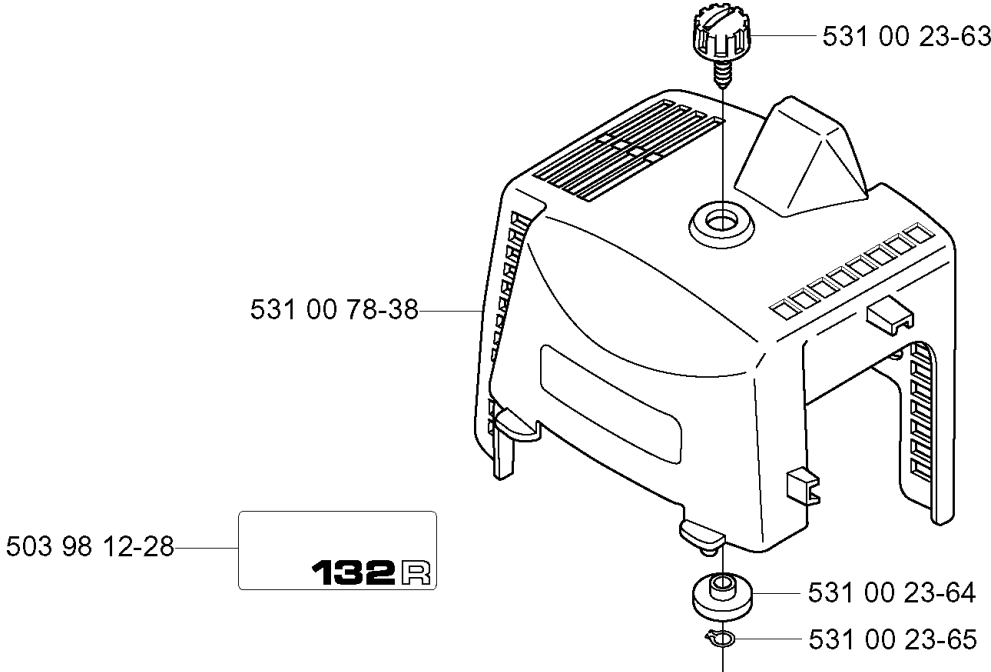


CLUTCH

132 R, 20050100001-Current

Part No	Description	Remark	QTY KIT
501 78 29-01	CLUTCH DRUM		1
502 19 15-01	WASHER		1
502 19 16-01	ANTIVIBRATION ELEMENT		1
531 00 23-90	WASHER		2
531 00 23-91	WASHER		2
531 00 40-70	SPRING		1
531 00 41-15	SCREW		4
531 00 47-33	SCREW		4
531 00 47-34	CLUTCH		1
531 00 47-35	CLUTCH		2
531 00 47-36	BOLT		2
531 00 78-57	BEARING HOUSING		1
531 00 78-58	CLUTCH COVER		1
725 53 33-01	SCREW IHSCM		1
735 31 27-10	CIRCLIP		1
738 21 00-02	BALL BEARING		1

E

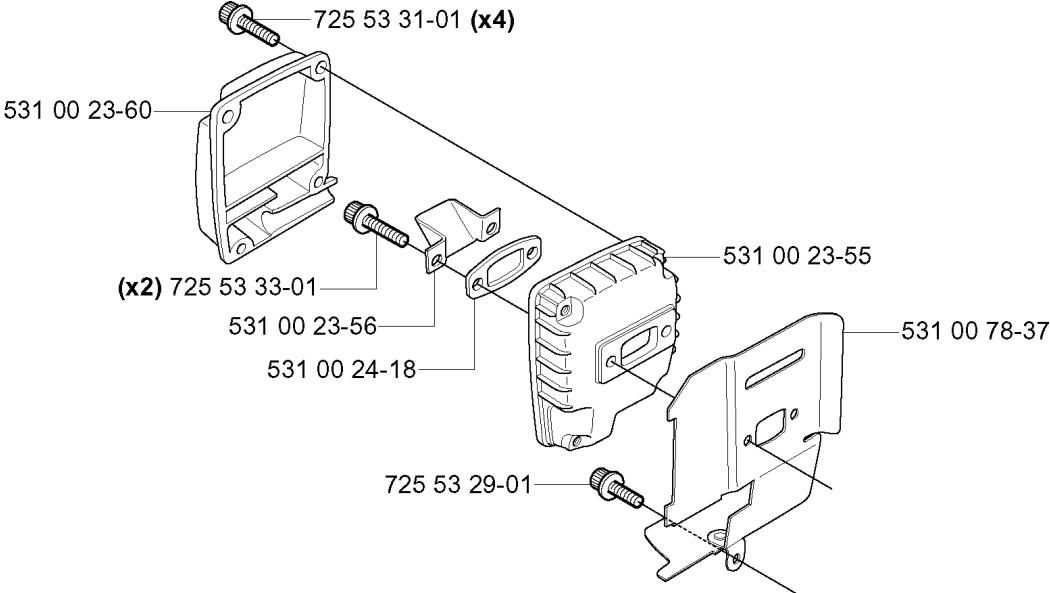


CYLINDER COVER

132 R, 20050100001-Current

Part No	Description	Remark	QTY KIT
503 98 12-28	LABEL		1
531 00 23-63	SCREW		1
531 00 23-64	SPACER		1
531 00 23-65	RETAINING RING		1
531 00 78-38	COVER		1

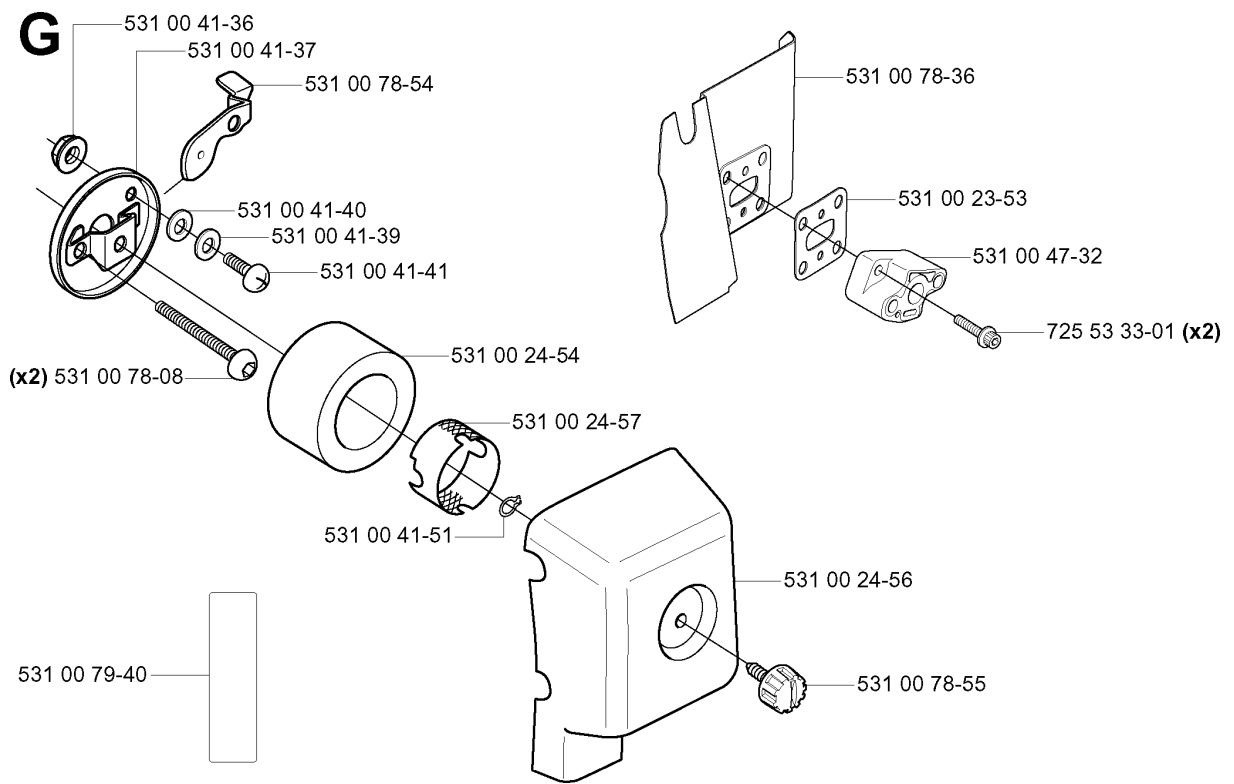
F



MUFFLER

132 R, 20050100001-Current

Part No	Description	Remark	QTY KIT
531 00 23-55	MUFFLER		1
531 00 23-56	PLATE		1
531 00 23-60	MUFFLER		1
531 00 24-18	SPACER		1
531 00 78-37	DEFLECTOR		1
725 53 29-01	SCREW IHSCM		1
725 53 31-01	SCREW IHSCM		4
725 53 33-01	SCREW IHSCM		2

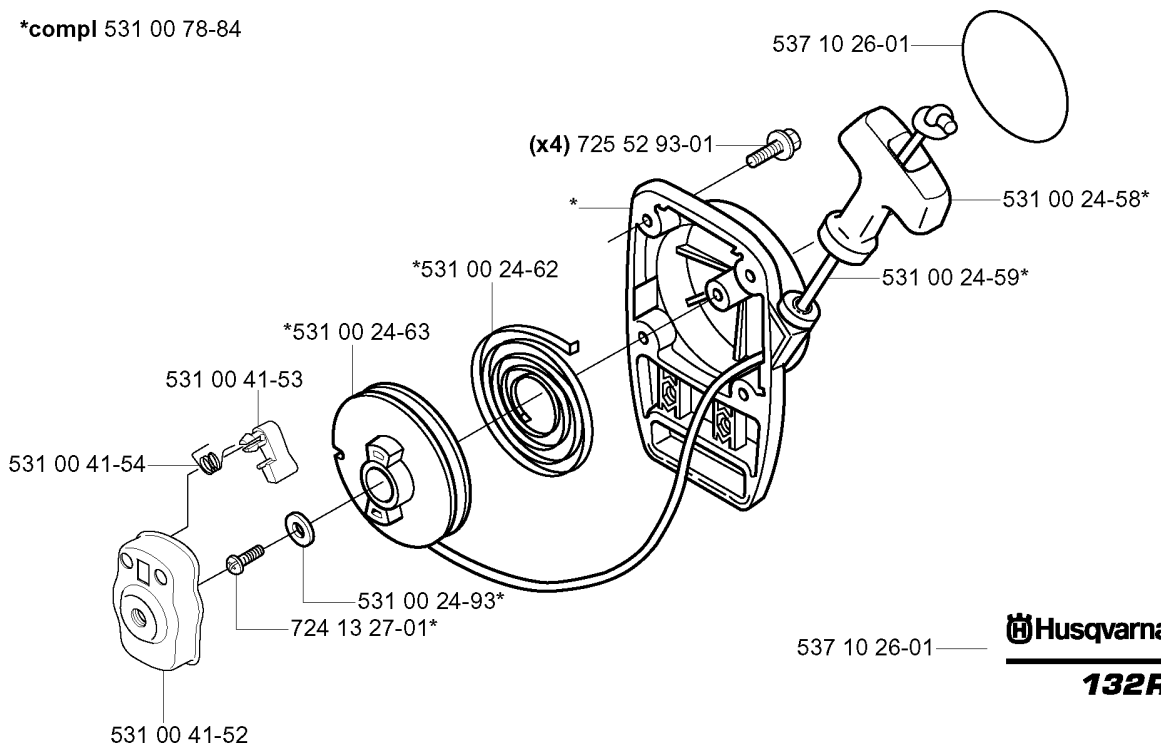


AIR FILTER

132 R, 20050100001-Current

Part No	Description	Remark	QTY KIT
531 00 23-53	GASKET		1
531 00 24-54	AIR FILTER		1
531 00 24-56	COVER		1
531 00 24-57	SCREEN		1
531 00 41-36	NUT		1
531 00 41-37	HOLDER		1
531 00 41-39	WASHER		1
531 00 41-40	WASHER		1
531 00 41-41	SCREW		1
531 00 41-51	RETAINER RING		1
531 00 47-32	INSULATOR		1
531 00 78-08	SCREW		2
531 00 78-36	DEFLECTOR		1
531 00 78-54	CHOKE FLAP		1
531 00 78-55	KNOB		1
531 00 79-40	DECAL		1
725 53 33-01	SCREW IHSCM		2

H *compl 531 00 78-84



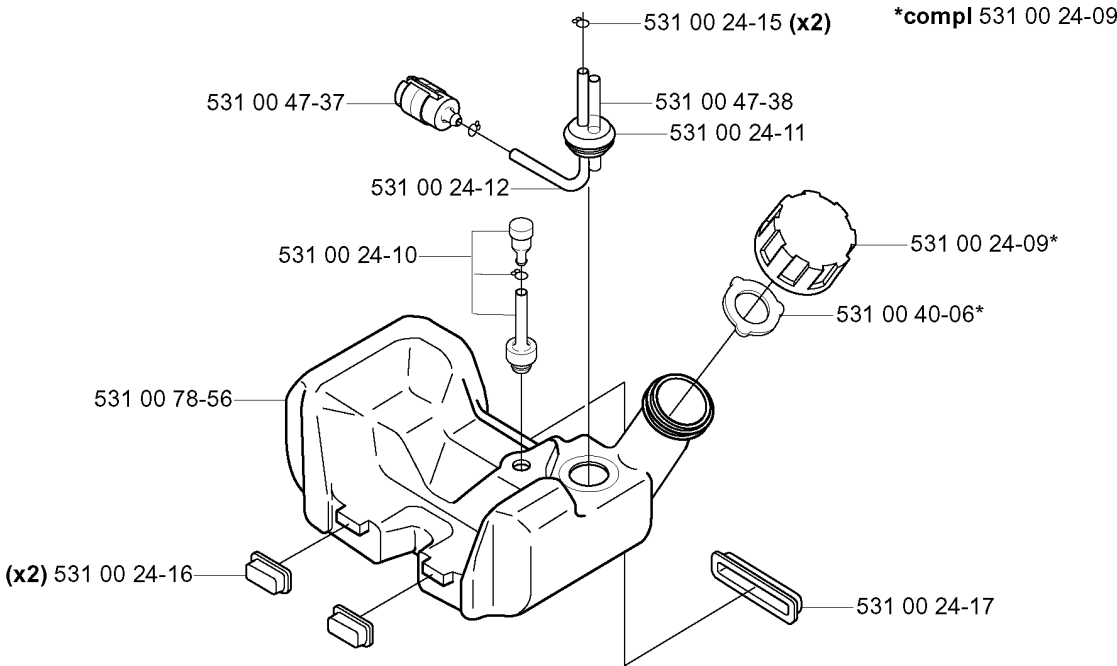
537 10 26-01 — **Husqvarna**
132R

STARTER

132 R, 20050100001-Current

Part No	Description	Remark	QTY KIT
531 00 24-58	HANDLE		1
531 00 24-59	STARTER ROPE		1
531 00 24-62	SPRING		1
531 00 24-63	STARTER PULLEY		1
531 00 24-93	WASHER		1
531 00 41-52	STARTER PULLEY		1
531 00 41-53	PAWL		1
531 00 41-54	SPRING		1
531 00 78-84	STARTER HOUSING		1
537 10 26-01	DECAL		1
537 10 26-01	DECAL		1
724 13 27-01	SCREW CRPANM		1
725 52 93-01	SCREW IHSCM		4

J

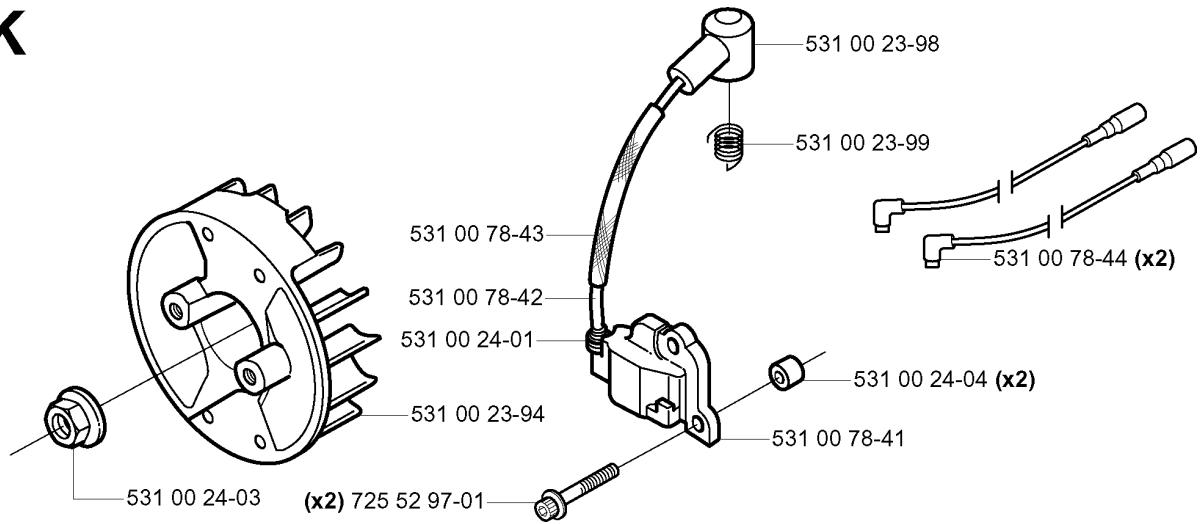


FUEL TANK

132 R, 20050100001-Current

Part No	Description	Remark	QTY KIT
531 00 24-09	TANK CAP ASSY		1
531 00 24-09	TANK CAP ASSY		1
531 00 24-10	VALVE		1
531 00 24-11	SLEEVE		1
531 00 24-12	HOSE		1
531 00 24-15	CLIP		2
531 00 24-16	SLEEVE		2
531 00 24-17	PAD		1
531 00 40-06	GASKET		1
531 00 47-37	FILTER		1
531 00 47-38	HOSE		1
531 00 78-56	TANK UNIT		1

K

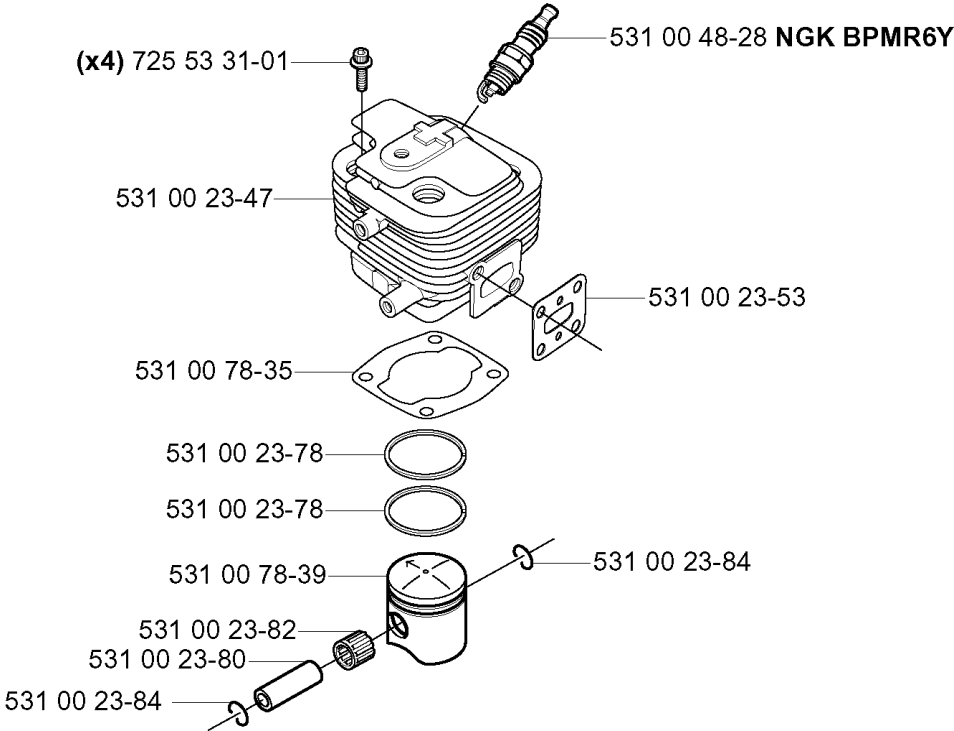


IGNITION SYSTEM

132 R, 20050100001-Current

Part No	Description	Remark	QTY KIT
531 00 23-94	FLYWHEEL		1
531 00 23-98	SPARK PLUG CONNECTION		1
531 00 23-99	SPRING		1
531 00 24-01	SLEEVE		1
531 00 24-03	NUT		1
531 00 24-04	SPACER		2
531 00 78-41	IGNITION MODULE		1
531 00 78-42	CABLE		1
531 00 78-43	PIPE		1
531 00 78-44	SHORTING LEAD		2
725 52 97-01	SCREW IHSCM		2

L

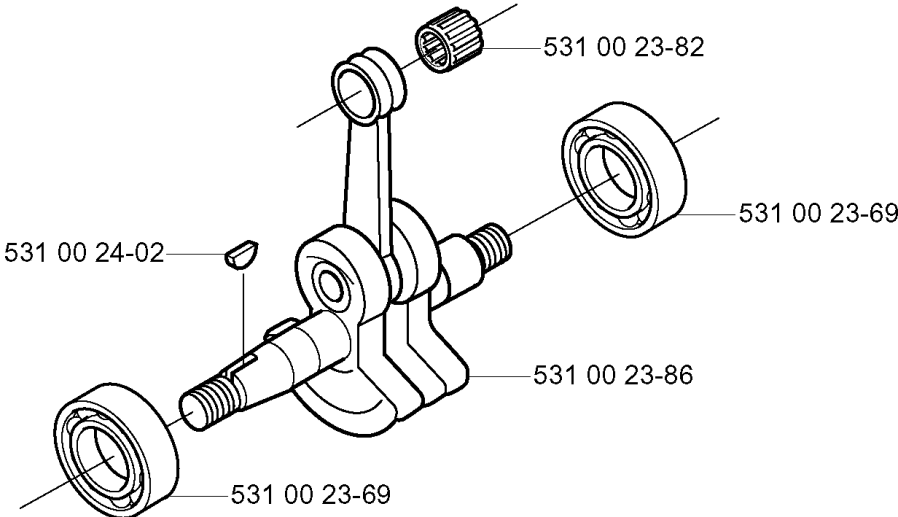


CYLINDER PISTON

132 R, 20050100001-Current

Part No	Description	Remark	QTY KIT
531 00 23-47	CYLINDER		1
531 00 23-53	GASKET		1
531 00 23-78	PISTON RING		1
531 00 23-78	PISTON RING		1
531 00 23-80	PISTON BOLT		1
531 00 23-82	SUPPORT BUSHING		1
531 00 23-84	CLIP		1
531 00 23-84	CLIP		1
531 00 48-28	SPARK PLUG	NGK BPMR6Y	1
531 00 78-35	GASKET		1
531 00 78-39	PISTON		1
725 53 31-01	SCREW IHSCM		4

M

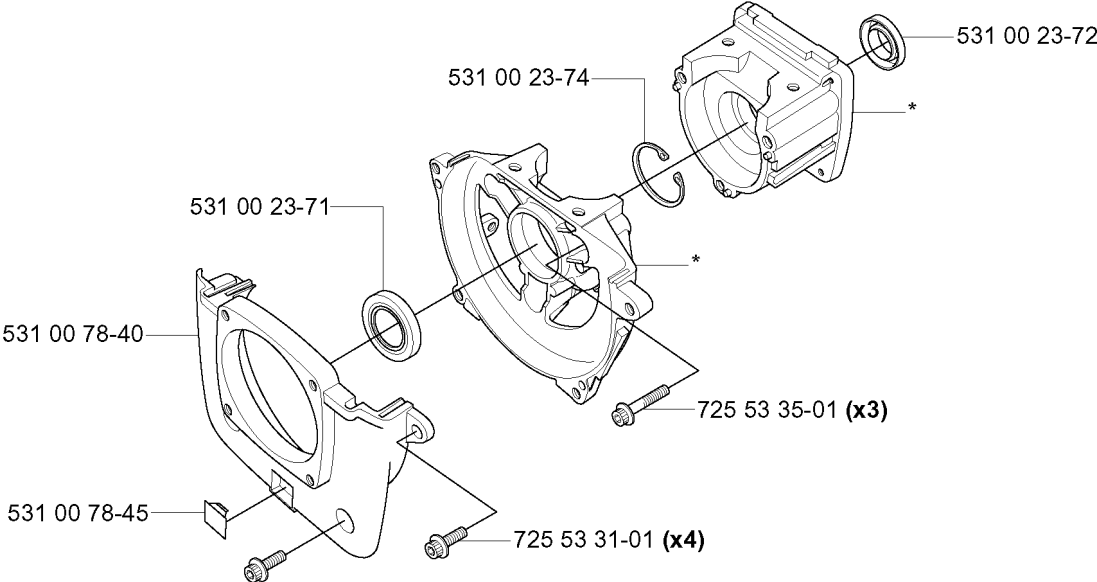


CRANKSHAFT

132 R, 20050100001-Current

Part No	Description	Remark	QTY KIT
531 00 23-69	BEARING		1
531 00 23-69	BEARING		1
531 00 23-82	SUPPORT BUSHING		1
531 00 23-86	CRANKSHAFT		1
531 00 24-02	KEY		1

N *compl 531 00 23-67



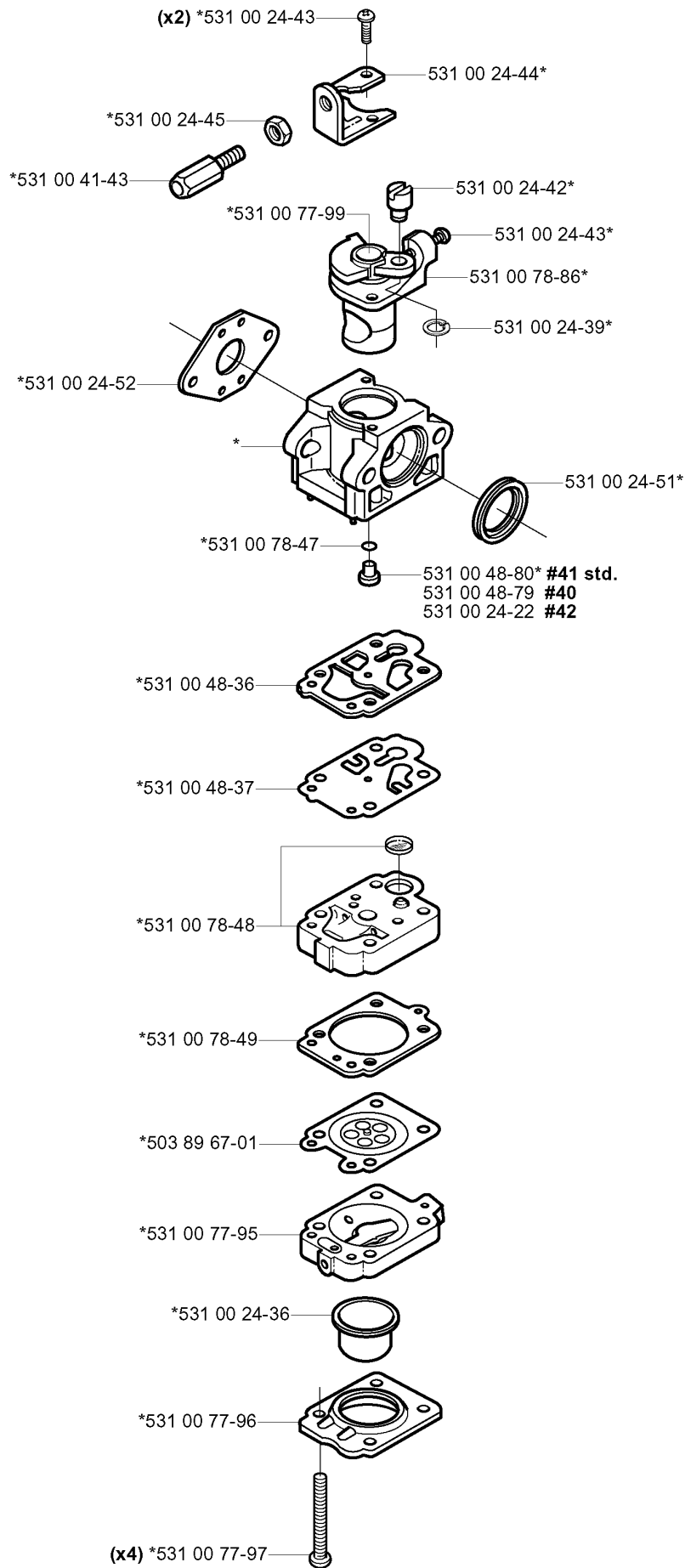
CRANKCASE

132 R, 20050100001-Current

Part No	Description	Remark	QTY KIT
531 00 23-67	CRANKCASE		1
531 00 23-71	SEAL RING		1
531 00 23-72	SEALING RING		1
531 00 23-74	RETAINER RING		1
531 00 78-40	HOUSING		1
531 00 78-45	PLUG		1
725 53 31-01	SCREW IHSCM		4
725 53 35-01	SCREW IHSCM		3

P *compl 531 00 78-85

Walbro WYJ

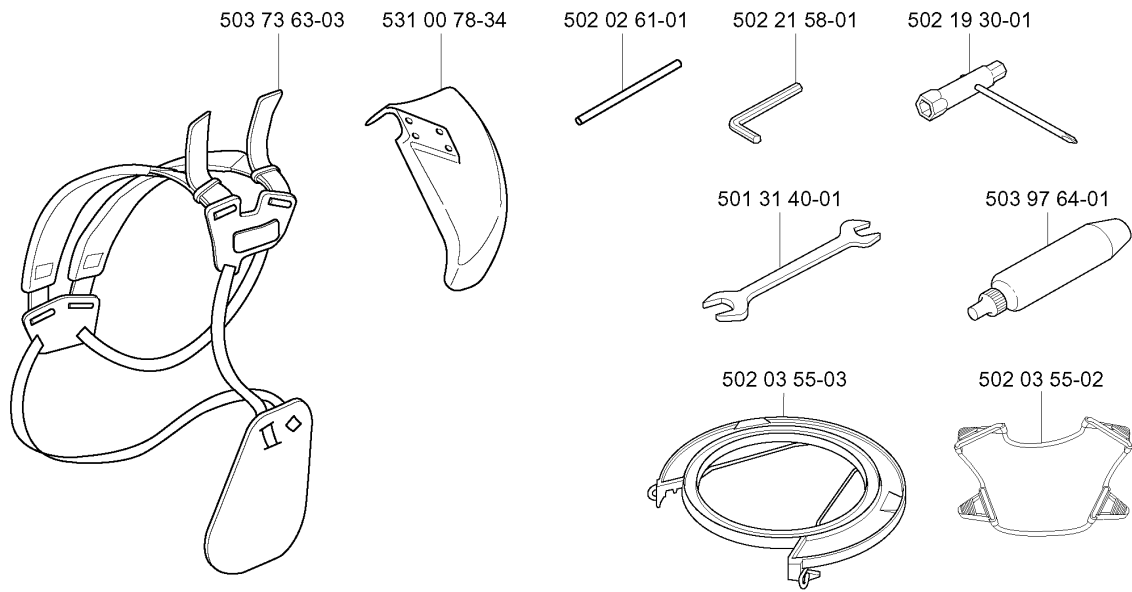


CARBURETOR DETAILS

132 R, 20050100001-Current

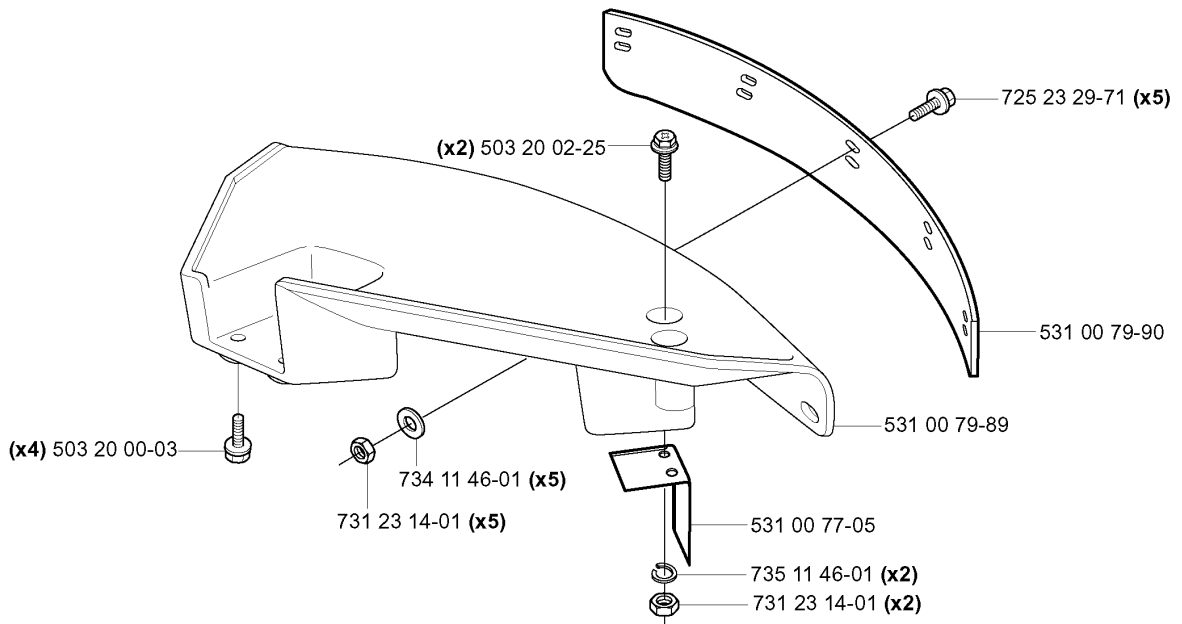
Part No	Description	Remark	QTY KIT
503 89 67-01	DIAPHRAGM		1
531 00 24-22	JET	#42	1
531 00 24-36	BULB		1
531 00 24-39	CIRCLIP		1
531 00 24-42	CONNECTION		1
531 00 24-43	SCREW		1
531 00 24-43	SCREW		2
531 00 24-44	BRACKET		1
531 00 24-45	NUT		1
531 00 24-51	GASKET		1
531 00 24-52	GASKET		1
531 00 41-43	SCREW		1
531 00 48-36	MOULDING		1
531 00 48-37	SPÄNNHJUL		1
531 00 48-79	JET	#40	1
531 00 48-80	JET	#41 STD.	1
531 00 77-95	HOUSING		1
531 00 77-96	PLATE		1
531 00 77-97	SCREW		4
531 00 77-99	PLUG		1
531 00 78-47	O-RING		1
531 00 78-48	HOUSING		1
531 00 78-49	GASKET		1
531 00 78-85	CARBURETTOR		1
531 00 78-86	THROTTLE		1

Q



Q

compl 531 00 79-88



ACCESSORIES

132 R, 20050100001-Current

Part No	Description	Remark	QTY KIT
501 31 40-01	SPANNER OPEN-ENDED		1
502 02 61-01	STOP		1
502 03 55-02	TRANSPORTSKYDD KPL		1
502 03 55-03	TRANSPORT GUARD		1
502 19 30-01	COMBI TOOL		1
502 21 58-01	WRENCH		1
503 20 00-03	SCREW		4
503 20 02-25	SCREW IHSCFM		2
503 73 63-03	HARNESS		1
503 97 64-01	GREASE		1
531 00 77-05	BLADE		1
531 00 78-34	BLADE GUARD		1
531 00 79-88	PROTECTOR		1
531 00 79-89	PROTECTOR		1
531 00 79-90	PROTECTOR		1
725 23 29-71	SCREW EHHM		5
731 23 14-01	HEXAGON NUT		2
731 23 14-01	HEXAGON NUT		5
734 11 46-01	WASHER		5
735 11 46-01	SPRING WASHER		2