

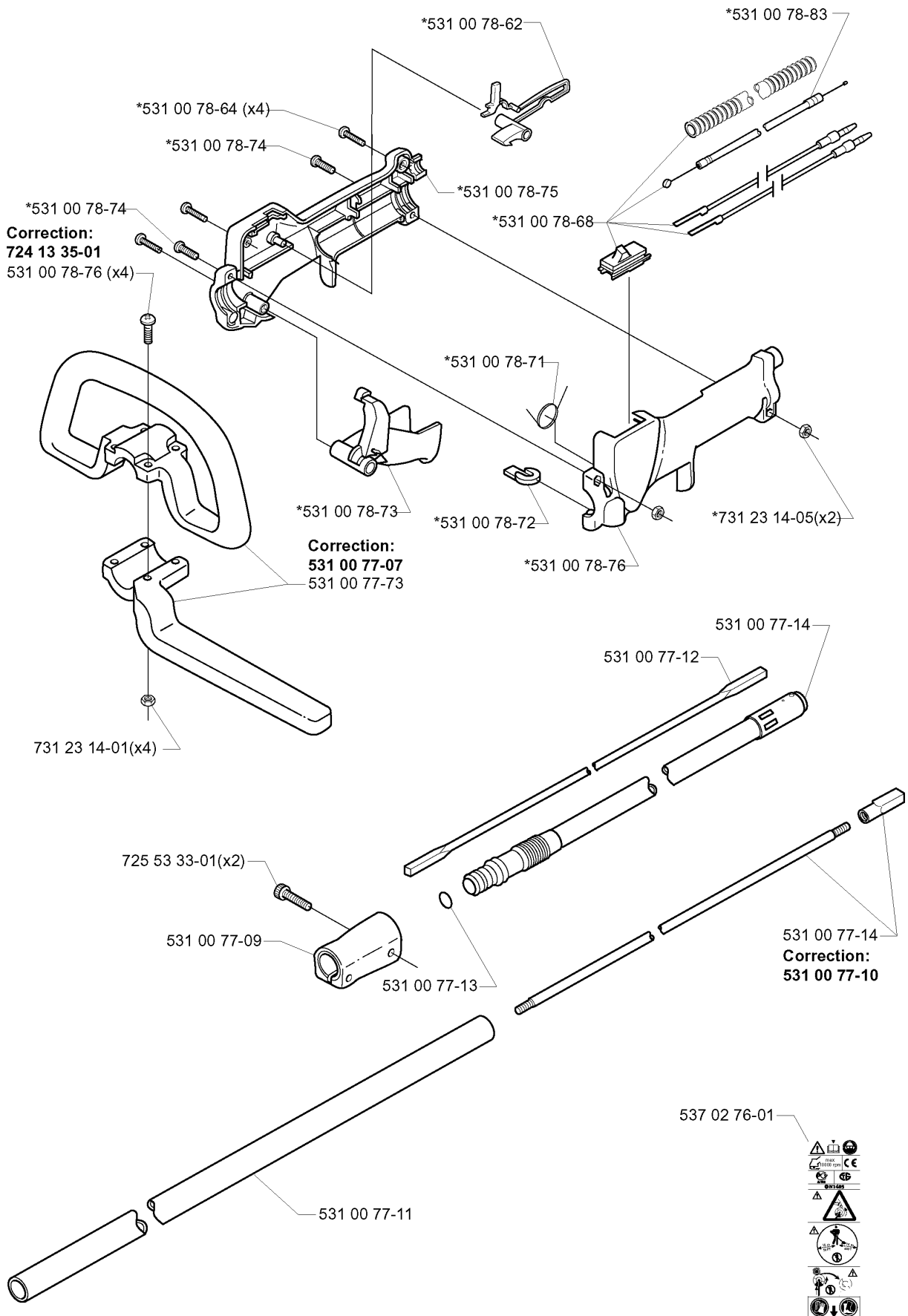


# SPARE PARTS LIST

BRUSHCUTTERS/CLEARING SAWS

152 RB, 2000-05

**A** Compl. \*531 00 77-08

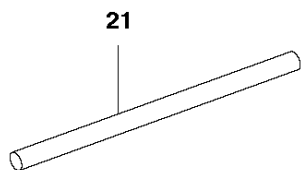
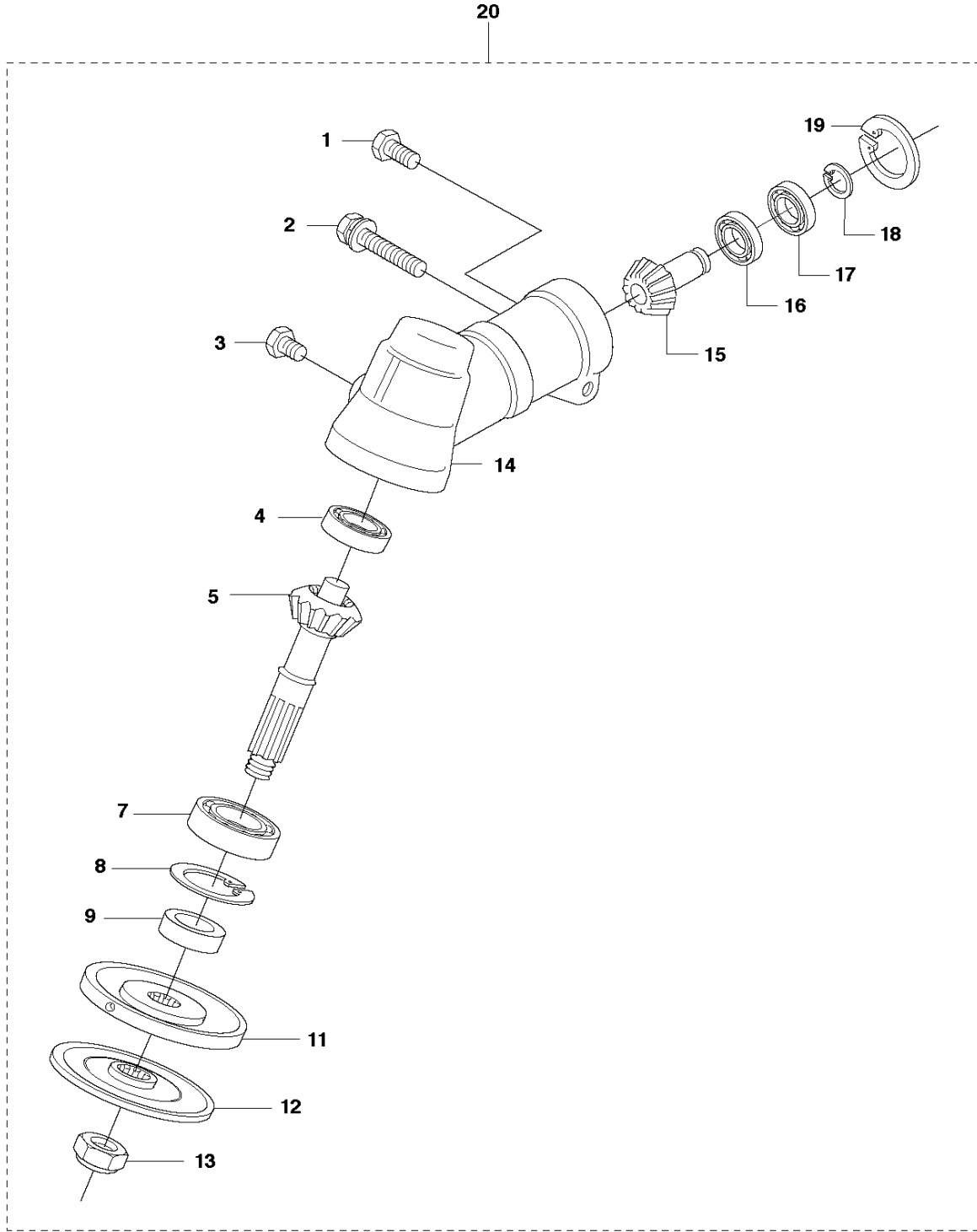


## SHAFT &amp; HANDLE

152 RB, 2000-05

Part No	Description	Remark	QTY KIT
531 00 77-07	HANDLE		1
531 00 77-08	HANDLE		1
531 00 77-09	CONNECTION		1
531 00 77-10	SHAFT		1
531 00 77-11	TUBE		1
531 00 77-12	SHAFT		1
531 00 77-13	RING		1
531 00 77-14	SHAFT		1
531 00 77-14	SHAFT		1
531 00 78-62	THROTTLE LOCK		1
531 00 78-64	SCREW		4
531 00 78-68	CABLE ASSY		1
531 00 78-71	RETURN SPRING		1
531 00 78-72	COVER		1
531 00 78-73	LEVER		1
531 00 78-74	SCREW		1
531 00 78-74	SCREW		1
531 00 78-75	HANDLE		1
531 00 78-76	HANDLE		4
531 00 78-76	HANDLE		1
531 00 78-83	WIRE		1
537 02 76-01	LABEL		1
724 13 35-01	SCREW CRPANM		1
725 53 33-01	SCREW IHSCM		2
731 23 14-01	HEXAGON NUT		4
731 23 14-05	HEXAGON NUT		2

**B** 152 RB  
BEVEL GEAR

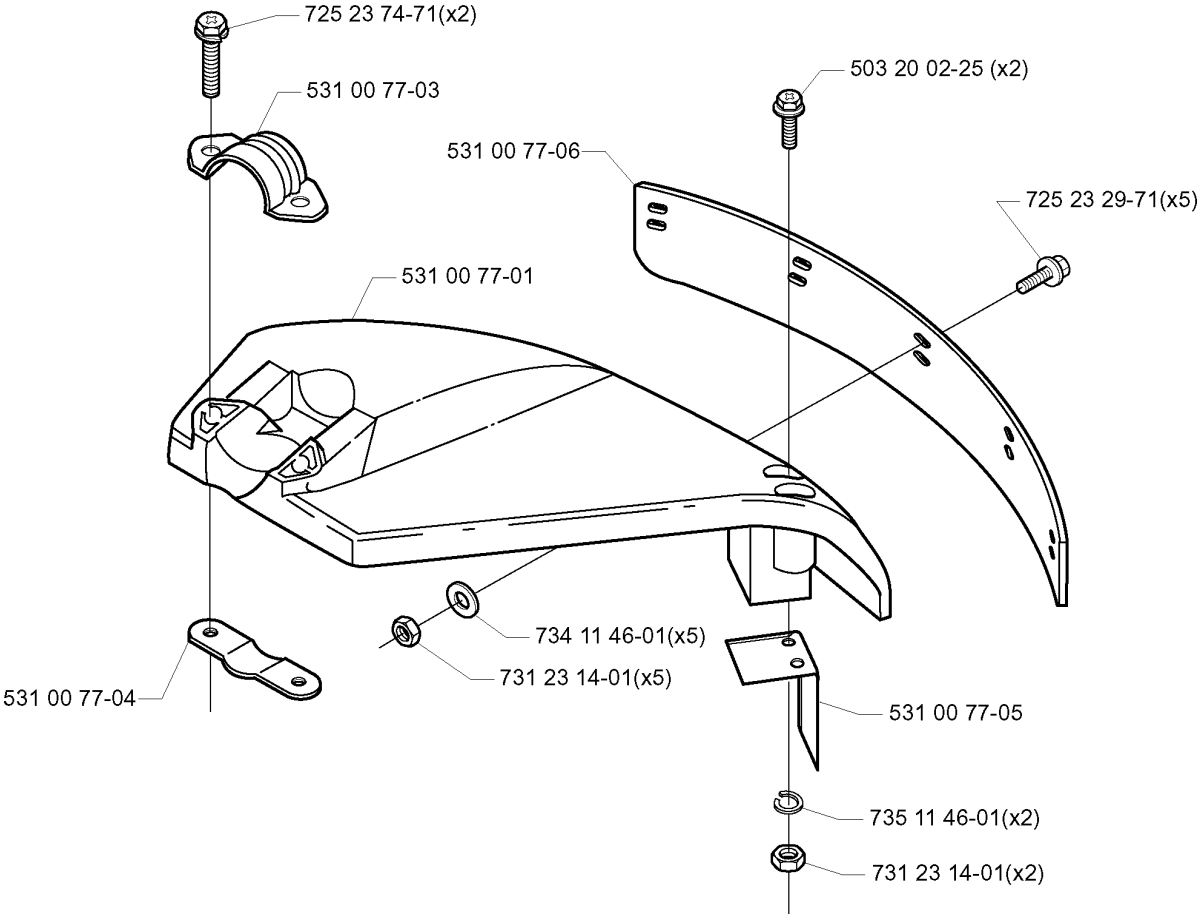


## BEVEL GEAR

152 RB, 2000-05

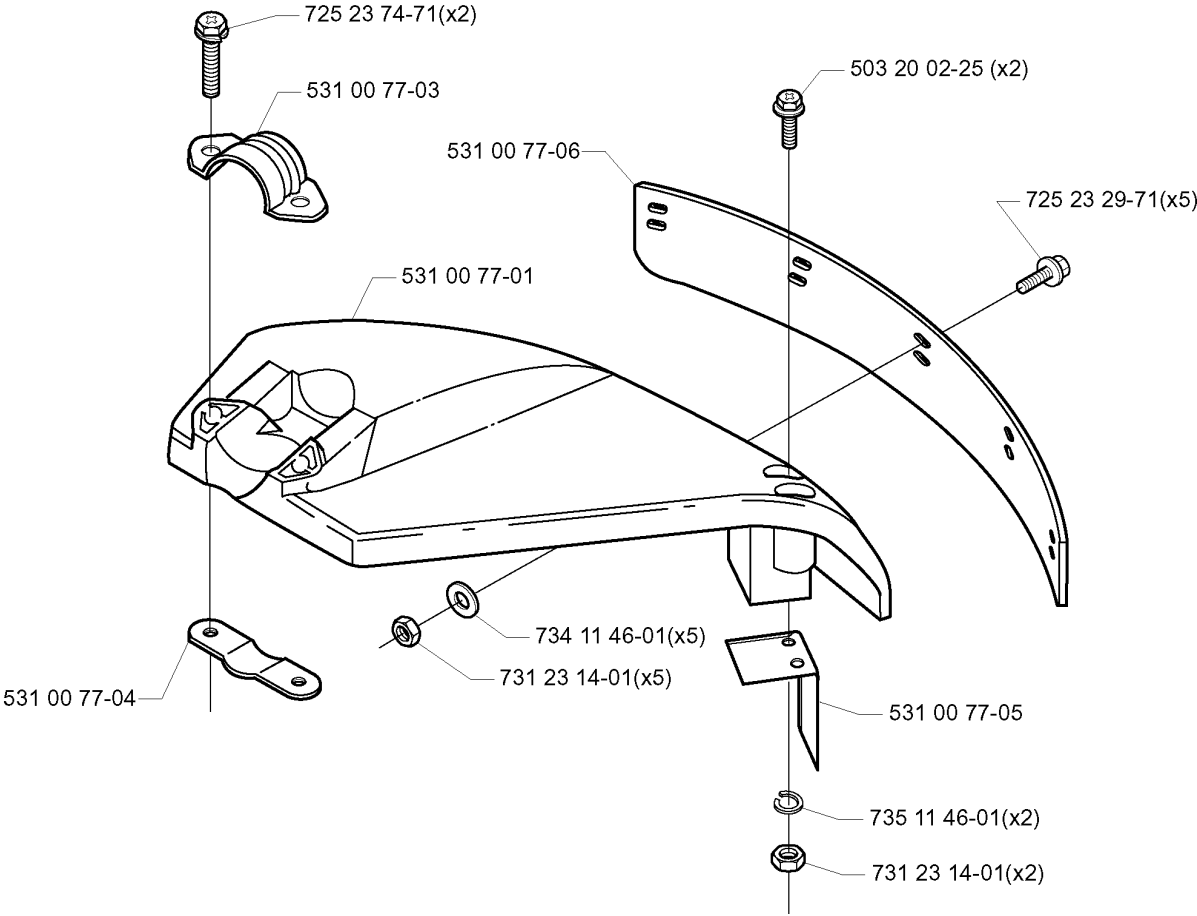
Ref	Part No	Description	Remark	QTY	KIT
1	725 23 66-71	SCREW EHHM		1	20
2	725 23 74-71	SCREW EHHM		1	20
3	590 26 85-01	SCREW		1	20
4	587 74 26-01	BALL BEARING		1	20
5	590 26 86-01	GEAR WHEEL SHAFT		1	20
7	587 74 28-01	BALL BEARING		1	20
8	587 74 29-01	CIRCLIP		1	20
9	587 74 30-01	SEALING		1	20
11	590 26 83-01	CARRIER		1	20
12	531 00 78-90	FLANGE		1	20
13	502 29 11-01	BLADE NUT		1	20
14	588 23 52-01	GEAR HOUSING		1	20
15	590 26 99-01	PINION		1	20
16	738 21 00-00	BALL BEARING		1	20
17	738 21 00-01	BALL BEARING		1	20
18	735 31 12-00	CIRCLIP		1	20
19	735 31 27-10	CIRCLIP		1	20
20	588 23 51-01	GEARBOX ASSY		1	
21	502 02 61-01	STOP		1	

M



Part No	Description	Remark	QTY KIT
503 20 02-25	SCREW IHSCFM		2
531 00 77-01	COMBINATION GUARD		1
531 00 77-03	BRACKET		1
531 00 77-04	BRACKET		1
531 00 77-05	BLADE		1
531 00 77-06	PROTECTOR		1
725 23 29-71	SCREW EHHM		5
725 23 74-71	SCREW EHHM		2
731 23 14-01	HEXAGON NUT		2
731 23 14-01	HEXAGON NUT		5
734 11 46-01	WASHER		5
735 11 46-01	SPRING WASHER		2

M



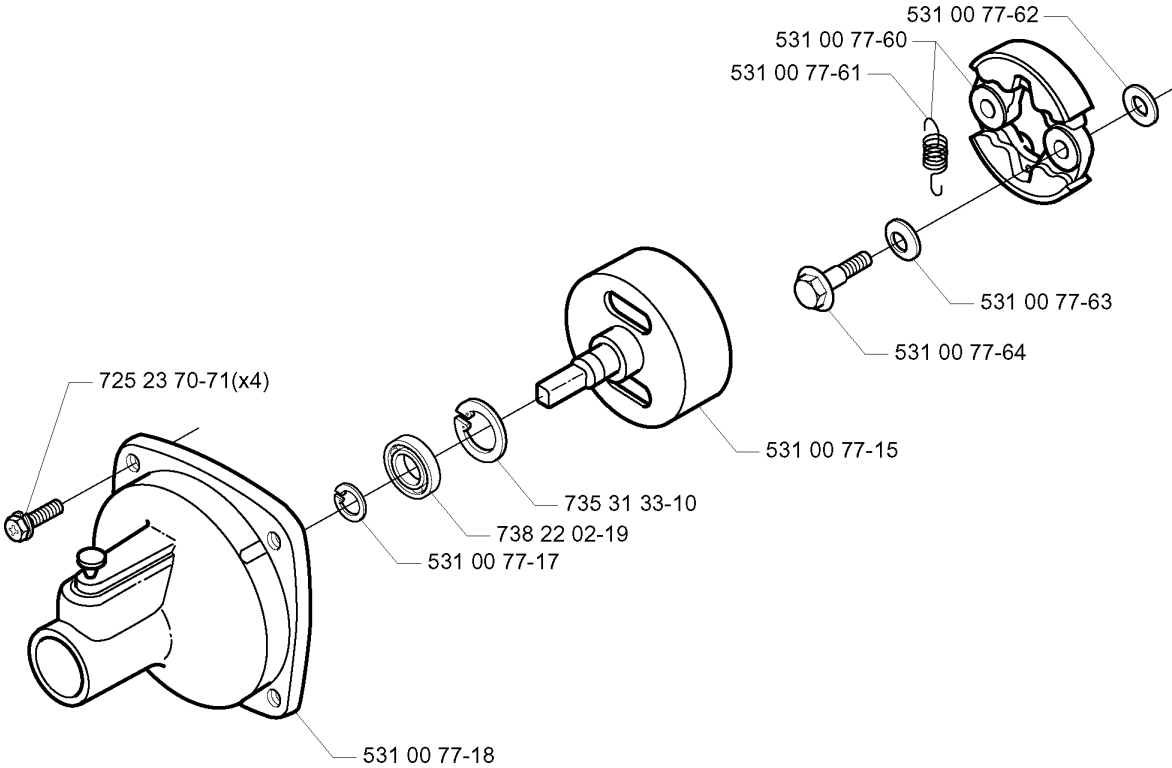


## GUARDS

152 RB, 2000-05

Part No	Description	Remark	QTY KIT
503 20 02-25	SCREW IHSCFM		2
531 00 77-01	COMBINATION GUARD		1
531 00 77-03	BRACKET		1
531 00 77-04	BRACKET		1
531 00 77-05	BLADE		1
531 00 77-06	PROTECTOR		1
725 23 29-71	SCREW EHHM		5
725 23 74-71	SCREW EHHM		2
731 23 14-01	HEXAGON NUT		5
731 23 14-01	HEXAGON NUT		2
734 11 46-01	WASHER		5
735 11 46-01	SPRING WASHER		2

H

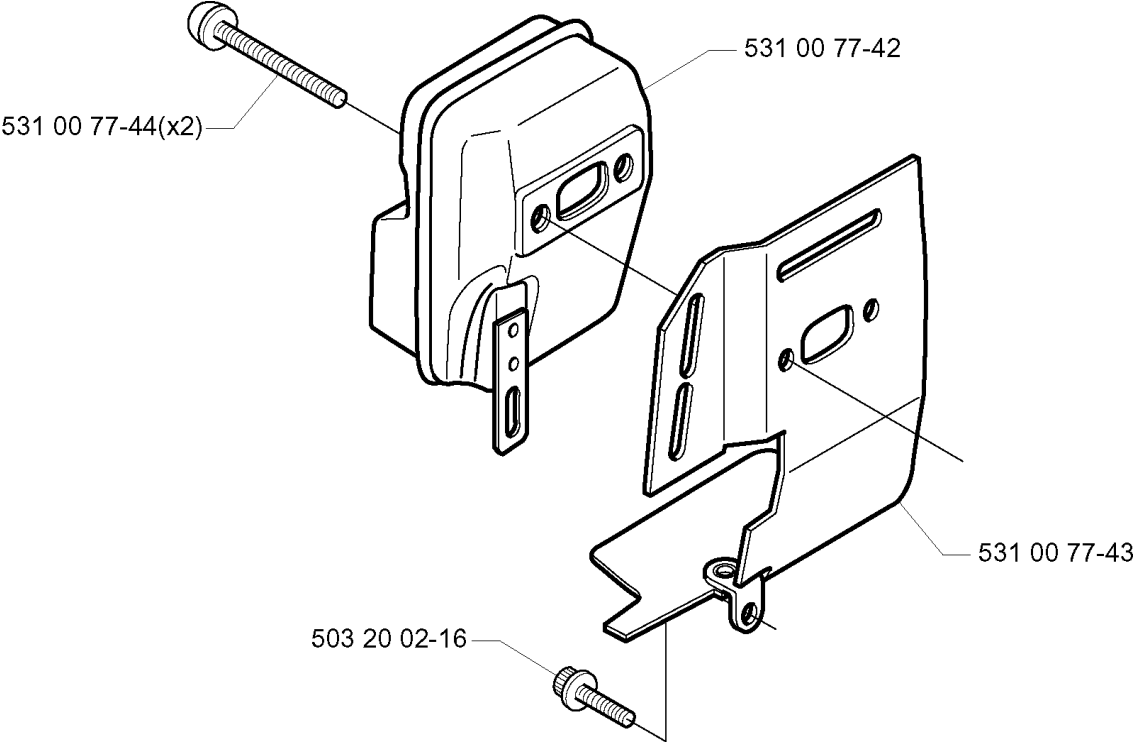


## CLUTCH

152 RB, 2000-05

Part No	Description	Remark	QTY KIT
531 00 77-15	CLUTCH DRUM		1
531 00 77-17	RETAINER RING		1
531 00 77-18	CLUTCH COVER		1
531 00 77-60	CLUTCH		1
531 00 77-61	SPRING		1
531 00 77-62	WASHER		1
531 00 77-63	WASHER		1
531 00 77-64	SCREW		1
725 23 70-71	SCREW EHHM		4
735 31 33-10	CIRCLIP		1
738 22 02-19	BALL BEARING		1

**B**

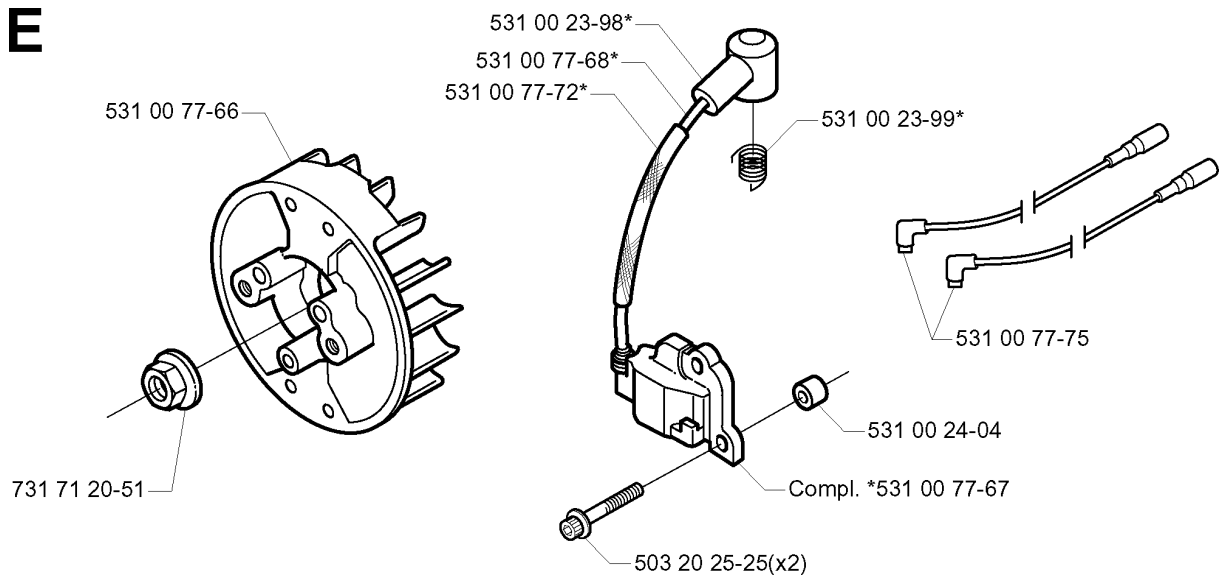


MUFFLER

152 RB, 2000-05

Part No	Description	Remark	QTY KIT
503 20 02-16	SCREW IHSCFM		1
531 00 77-42	MUFFLER		1
531 00 77-43	DEFLECTOR		1
531 00 77-44	SCREW		2

**E**

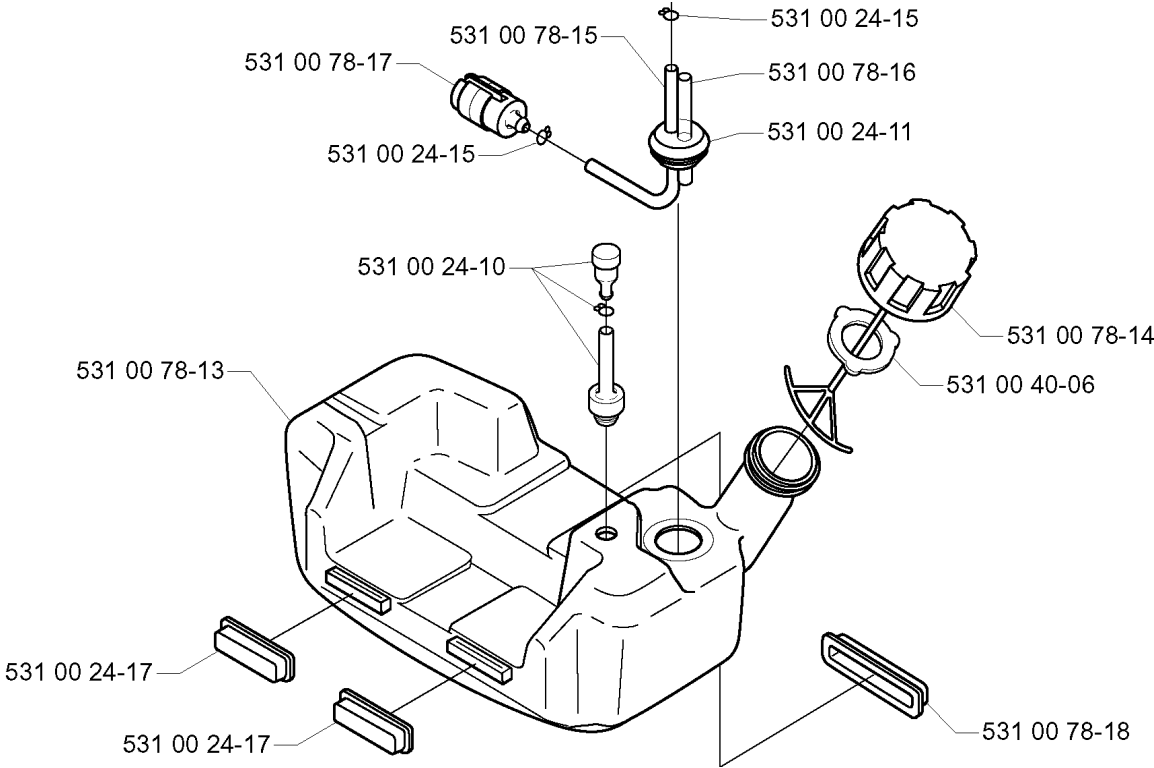


## IGNITION SYSTEM

152 RB, 2000-05

Part No	Description	Remark	QTY KIT
503 20 25-25	SCREW IHSCM		2
531 00 23-98	SPARK PLUG CONNECTION		1
531 00 23-99	SPRING		1
531 00 24-04	SPACER		1
531 00 77-66	FLYWHEEL		1
531 00 77-67	IGNITION MODULE		1
531 00 77-68	CABLE		1
531 00 77-72	PROTECTOR		1
531 00 77-75	CABLE		1
731 71 20-51	HEXAGON NUT FLANGE		1

J





## FUEL TANK

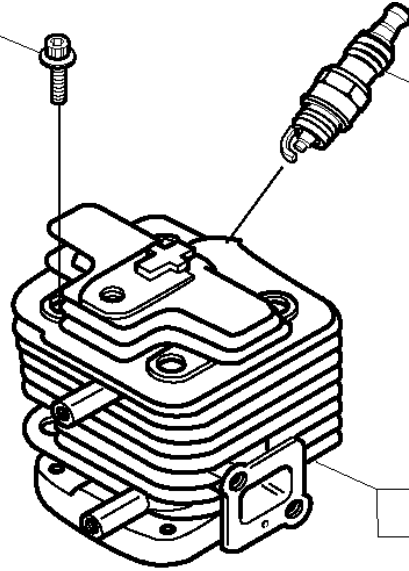
152 RB, 2000-05

Part No	Description	Remark	QTY KIT
531 00 24-10	VALVE		1
531 00 24-11	SLEEVE		1
531 00 24-15	CLIP		1
531 00 24-15	CLIP		1
531 00 24-17	PAD		1
531 00 24-17	PAD		1
531 00 40-06	GASKET		1
531 00 78-13	TANK UNIT		1
531 00 78-14	TANK CAP		1
531 00 78-15	HOSE		1
531 00 78-16	PIPE		1
531 00 78-17	FILTER		1
531 00 78-18	SLEEVE		1

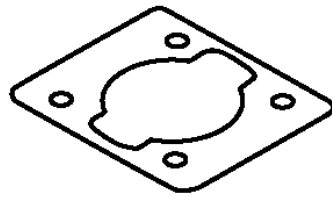
**C**

503 20 02-25(x4)

531 00 48-28



531 00 77-35(142)  
531 00 77-36(152)



531 00 77-37

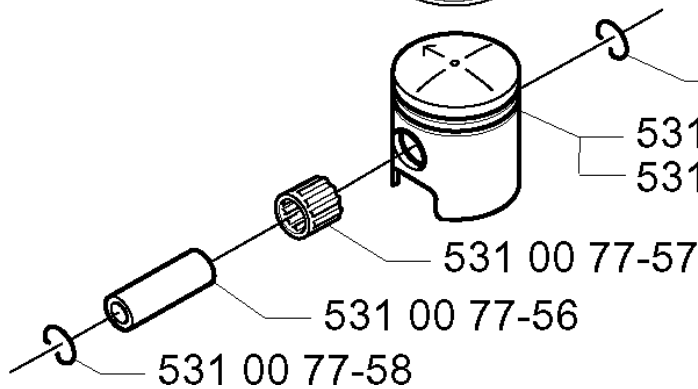


531 00 77-54(142)  
531 00 77-55(152)



531 00 77-58

531 00 77-52(142)  
531 00 77-53(152)



531 00 77-57

531 00 77-56

531 00 77-58

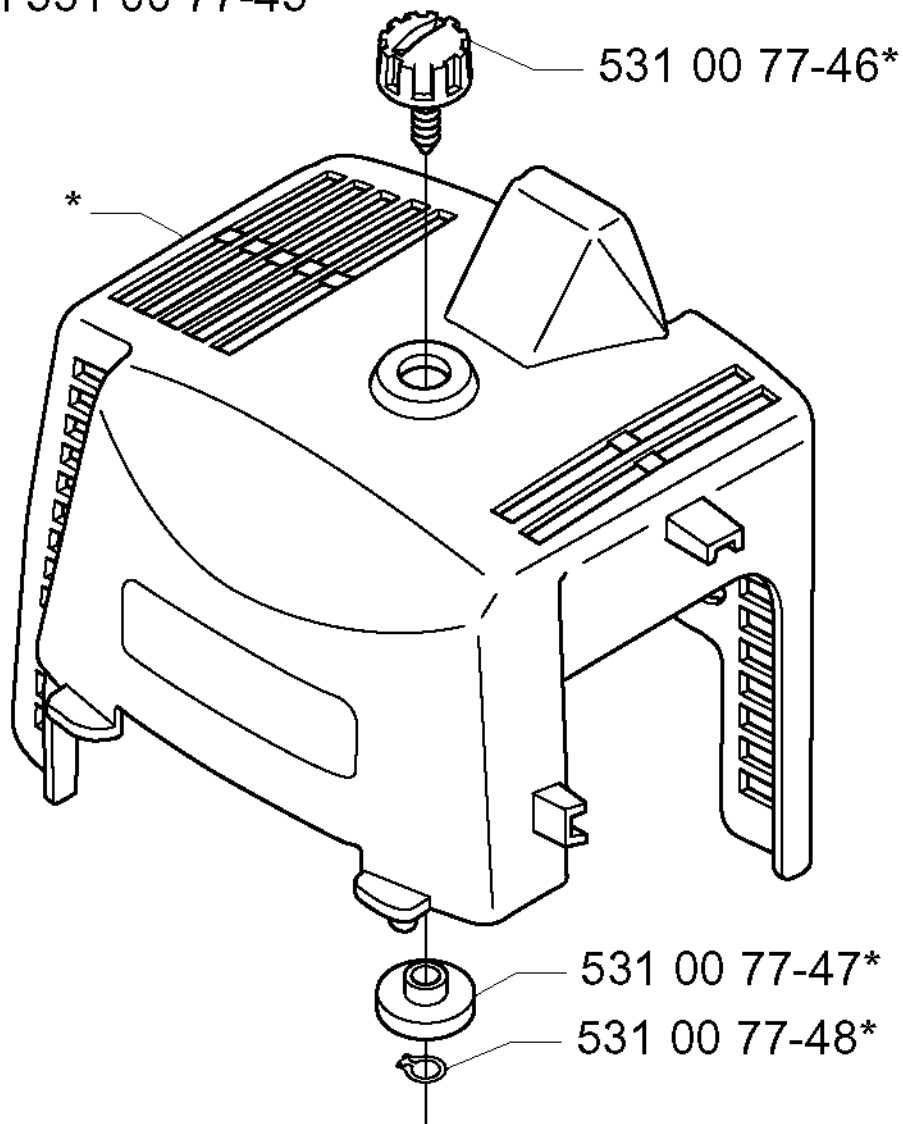
## CYLINDER PISTON

152 RB, 2000-05

Part No	Description	Remark	QTY KIT
503 20 02-25	SCREW IHSCFM		4
531 00 48-28	SPARK PLUG		1
531 00 77-35	CYLINDER	142	1
531 00 77-36	CYLINDER	152	1
531 00 77-37	GASKET		1
531 00 77-52	PISTON	142	1
531 00 77-53	PISTON	152	1
531 00 77-54	PISTON RING	142	1
531 00 77-55	PISTON RING	152	1
531 00 77-56	PISTON BOLT		1
531 00 77-57	NEEDLE BEARING		1
531 00 77-58	RETAINER RING		1
531 00 77-58	RETAINER RING		1

**D**

compl 531 00 77-45\*



503 98 12-25



503 98 12-26

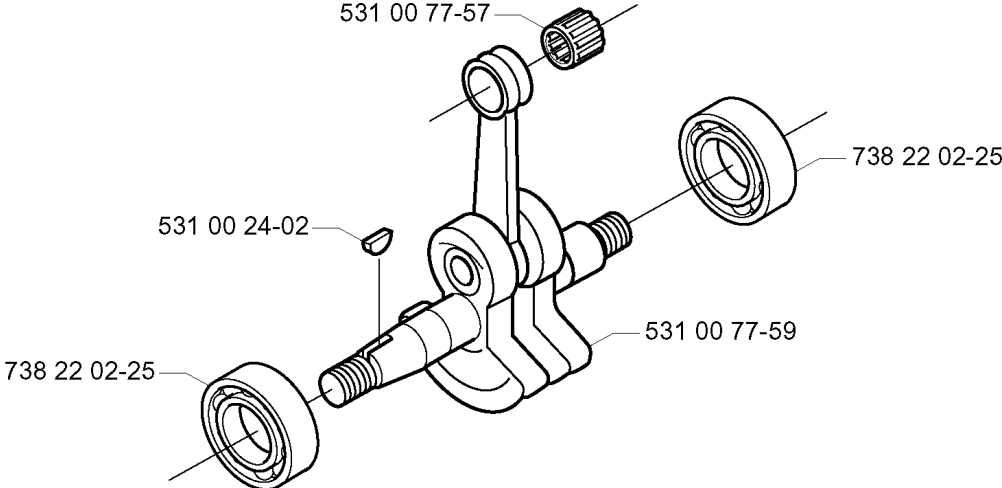


CYLINDER COVER

152 RB, 2000-05

Part No	Description	Remark	QTY KIT
503 98 12-25	LABEL		1
503 98 12-26	LABEL		1
531 00 77-45	CYLINDER COVER		1
531 00 77-46	SCREW		1
531 00 77-47	RING		1
531 00 77-48	RETAINER RING		1

F

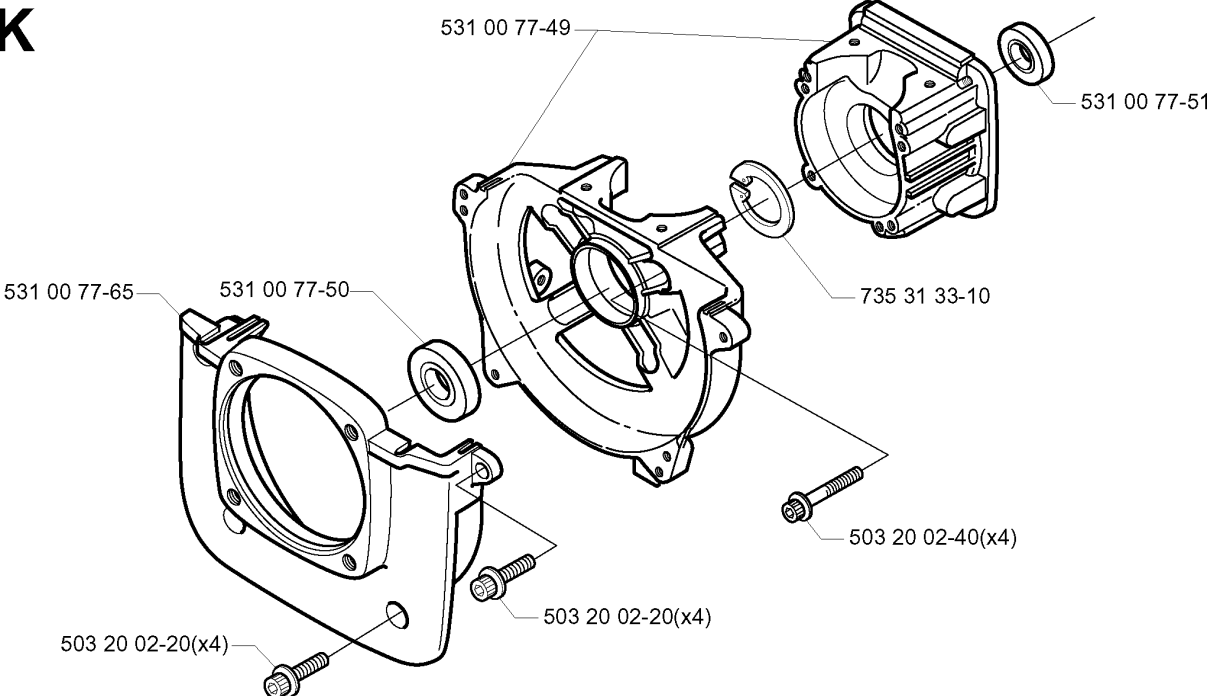


CRANKSHAFT

152 RB, 2000-05

Part No	Description	Remark	QTY KIT
531 00 24-02	KEY		1
531 00 77-57	NEEDLE BEARING		1
531 00 77-59	CRANKSHAFT		1
738 22 02-25	BALL BEARING		1
738 22 02-25	BALL BEARING		1

**K**





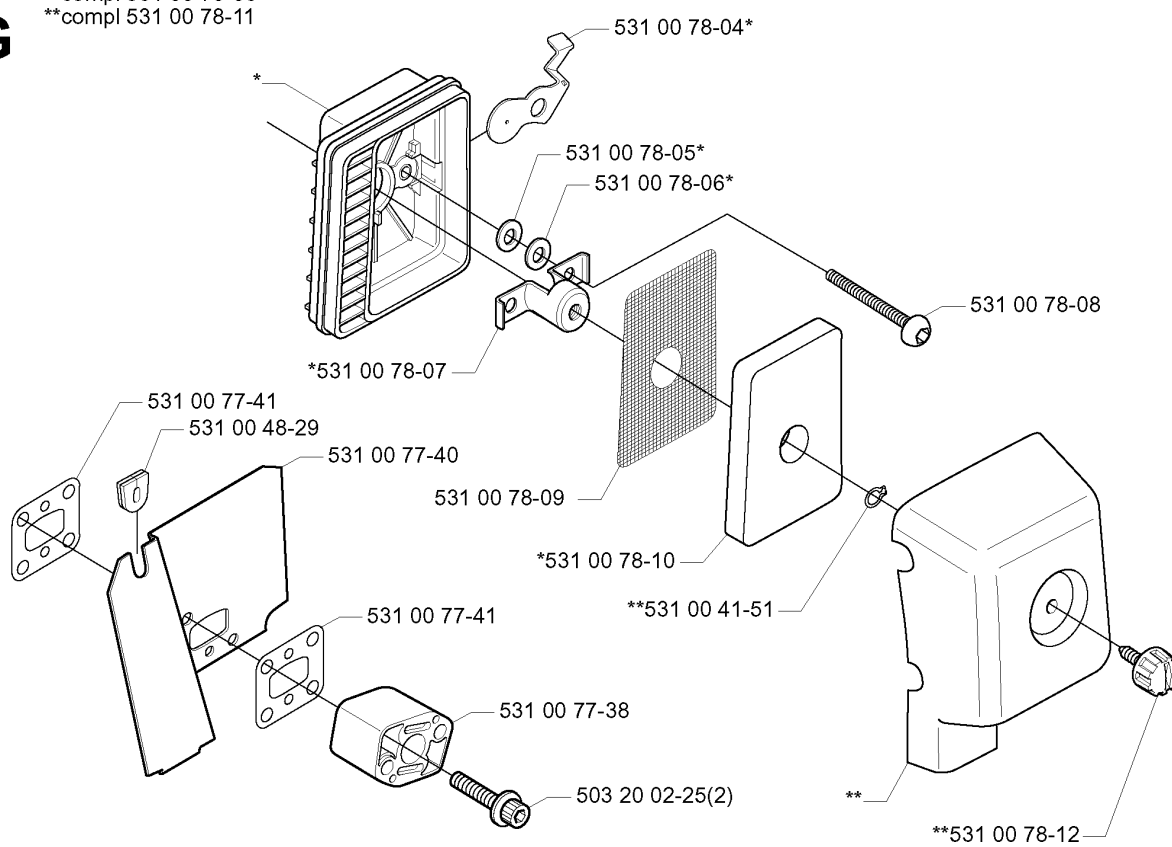
## CRANKCASE

152 RB, 2000-05

Part No	Description	Remark	QTY KIT
503 20 02-20	SCREW IHSCFM		4
503 20 02-20	SCREW IHSCFM		4
503 20 02-40	SCREW IHSCFM		4
531 00 77-49	CRANKCASE		1
531 00 77-50	SEALING RING		1
531 00 77-51	SEALING RING		1
531 00 77-65	HOUSING		1
735 31 33-10	CIRCLIP		1

**G**

\*compl 531 00 78-03  
\*\*compl 531 00 78-11

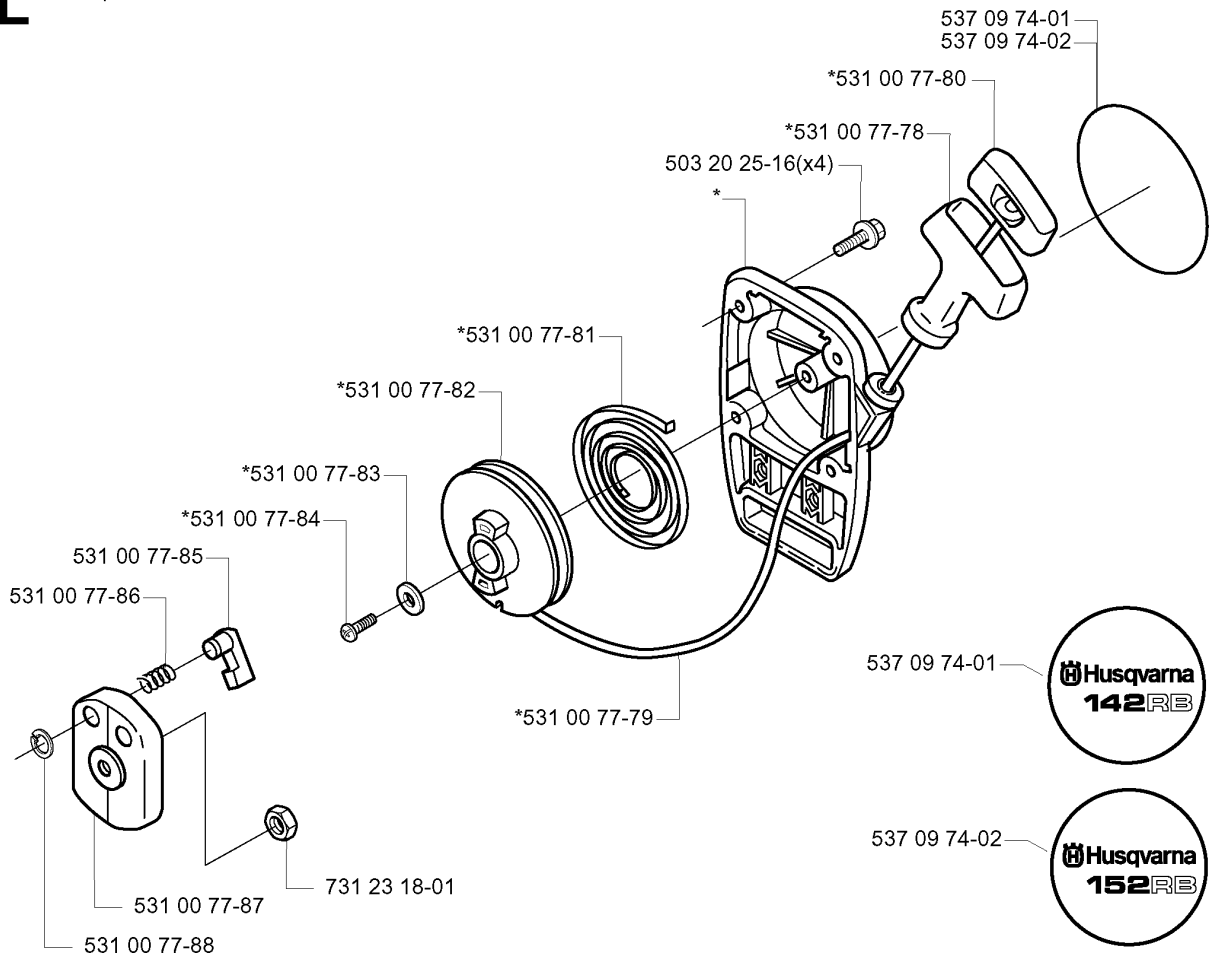


## AIR FILTER

152 RB, 2000-05

Part No	Description	Remark	QTY KIT
503 20 02-25	SCREW IHSCFM		2
531 00 41-51	RETAINER RING		1
531 00 48-29	ATTACHMENT		1
531 00 77-38	SPACER		1
531 00 77-40	PROTECTOR		1
531 00 77-41	GASKET		1
531 00 77-41	GASKET		1
531 00 78-03	HOUSING		1
531 00 78-04	CHOKE FLAP		1
531 00 78-05	WASHER		1
531 00 78-06	RING		1
531 00 78-07	BRACKET		1
531 00 78-08	SCREW		1
531 00 78-09	SCREEN		1
531 00 78-10	AIR FILTER		1
531 00 78-11	COVER		1
531 00 78-12	SCREW		1

**L** \*compl 531 00 77-77

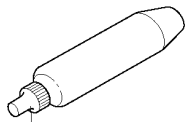


## STARTER

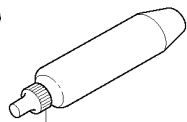
152 RB, 2000-05

Part No	Description	Remark	QTY KIT
503 20 25-16	SCREW IHSCM		4
531 00 77-77	STARTER HOUSING		1
531 00 77-78	HANDLE		1
531 00 77-79	STARTER ROPE		1
531 00 77-80	INSERT		1
531 00 77-81	RETURN SPRING		1
531 00 77-82	STARTER PULLEY		1
531 00 77-83	WASHER		1
531 00 77-84	SCREW		1
531 00 77-85	PAWL		1
531 00 77-86	SPRING		1
531 00 77-87	PLATE		1
531 00 77-88	RETAINER RING		1
537 09 74-01	LABEL		1
537 09 74-01	LABEL		1
537 09 74-02	LABEL		1
537 09 74-02	LABEL		1
731 23 18-01	HEXAGON NUT		1

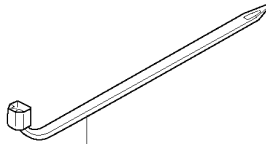
**R**



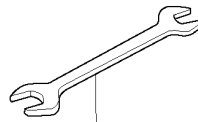
503 97 64-01



531 00 78-20



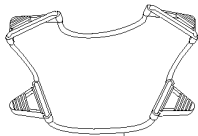
531 00 78-21



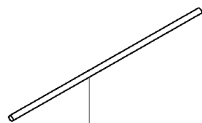
501 31 40-01



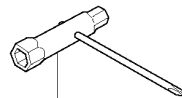
502 21 58-01



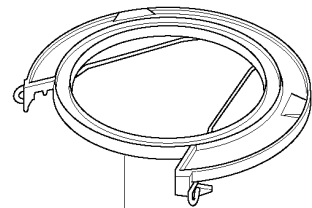
502 03 55-02



531 00 78-19



502 19 30-01



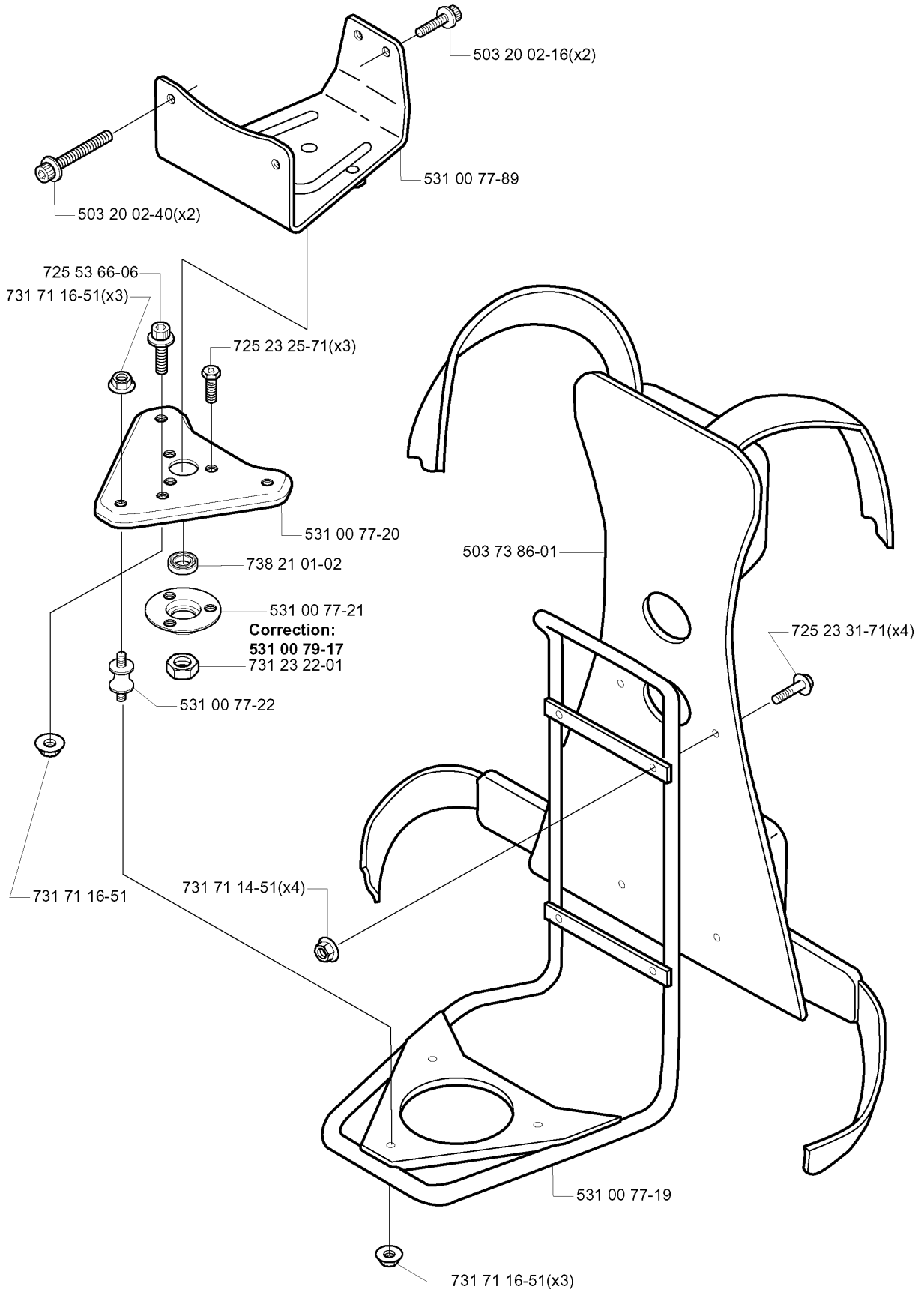
502 03 55-03

## ACCESSORIES

152 RB, 2000-05

Part No	Description	Remark	QTY KIT
501 31 40-01	SPANNER OPEN-ENDED		1
502 03 55-02	TRANSPORTSKYDD KPL		1
502 03 55-03	TRANSPORT GUARD		1
502 19 30-01	COMBI TOOL		1
502 21 58-01	WRENCH		1
503 97 64-01	GREASE		1
531 00 78-19	PIN RETAINING SCREW		1
531 00 78-20	GREASE		1
531 00 78-21	BAND		1

N





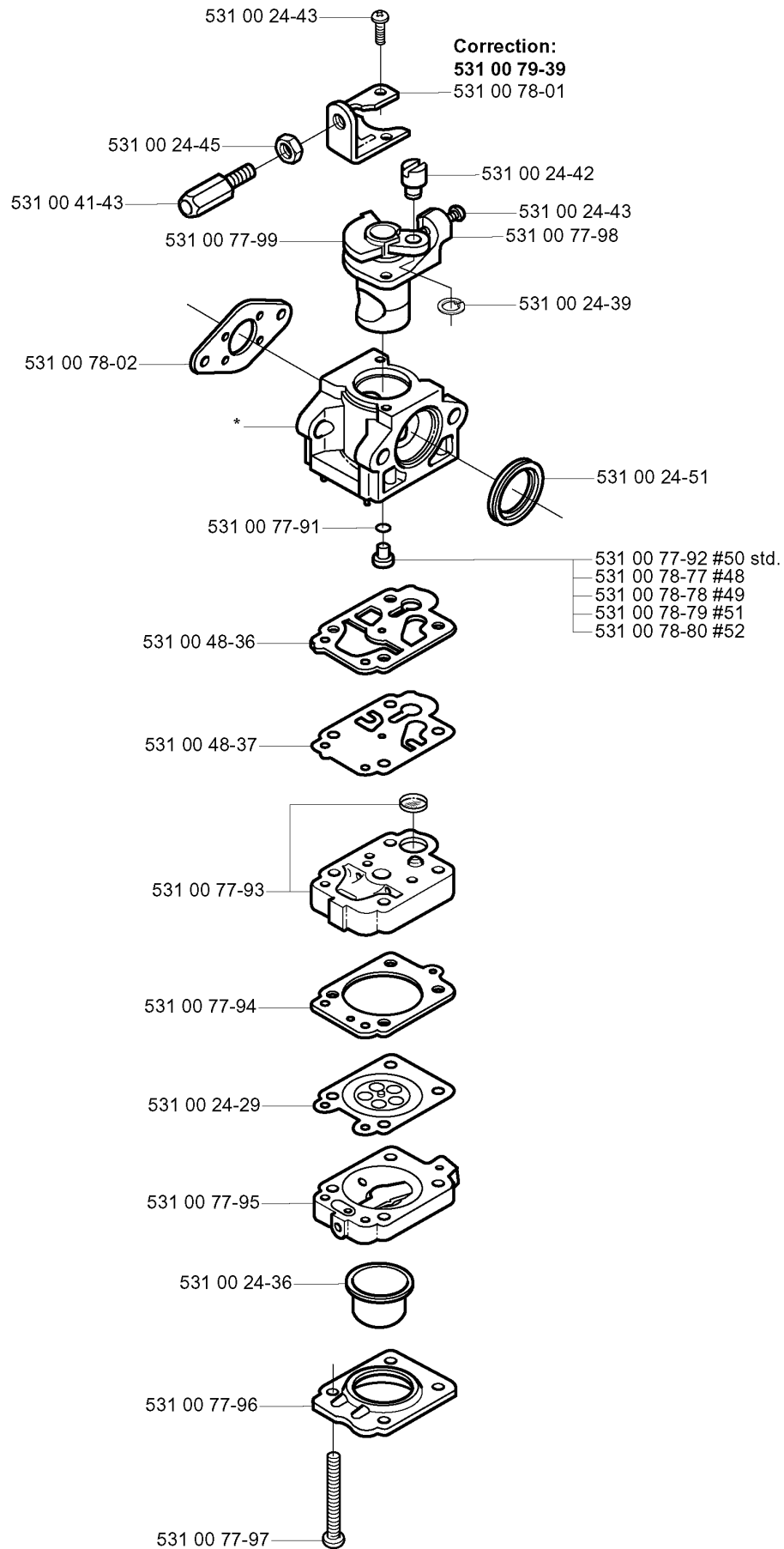
## HARNES

152 RB, 2000-05

Part No	Description	Remark	QTY KIT
503 20 02-16	SCREW IHSCFM		2
503 20 02-40	SCREW IHSCFM		2
503 73 86-01	HARNES		1
531 00 77-19	FRAME		1
531 00 77-20	BRACKET		1
531 00 77-21	BEARING HOUSING		1
531 00 77-22	ABSORBER		1
531 00 77-89	PLATE		1
531 00 79-17	NUT		1
725 23 25-71	SCREW EHHM		3
725 23 31-71	SCREW EHHM		4
725 53 66-06	SCREW IHSCM		1
731 71 14-51	HEXAGON NUT FLANGE		4
731 71 16-51	HEXAGON NUT FLANGE		3
731 71 16-51	HEXAGON NUT FLANGE		1
731 71 16-51	HEXAGON NUT FLANGE		3
738 21 01-02	BALL BEARING		1

**P** \*compl 531 00 77-90

# Walbro WYJ 73



## CARBURETOR DETAILS

152 RB, 2000-05

Part No	Description	Remark	QTY KIT
531 00 24-29	DIAPHRAGM		1
531 00 24-36	BULB		1
531 00 24-39	CIRCLIP		1
531 00 24-42	CONNECTION		1
531 00 24-43	SCREW		1
531 00 24-43	SCREW		1
531 00 24-45	NUT		1
531 00 24-51	GASKET		1
531 00 41-43	SCREW		1
531 00 48-36	MOULDING		1
531 00 48-37	SPÄNNHJUL		1
531 00 77-90	CARBURETTOR		1
531 00 77-91	RING		1
531 00 77-92	JET	#50 STD.	1
531 00 77-93	HOUSING		1
531 00 77-94	GASKET		1
531 00 77-95	HOUSING		1
531 00 77-96	PLATE		1
531 00 77-97	SCREW		1
531 00 77-98	THROTTLE		1
531 00 77-99	PLUG		1
531 00 78-02	GASKET		1
531 00 78-77	JET	#48	1
531 00 78-78	JET	#49	1
531 00 78-79	JET	#51	1
531 00 78-80	JET	#52	1
531 00 79-39	BRACKET		1