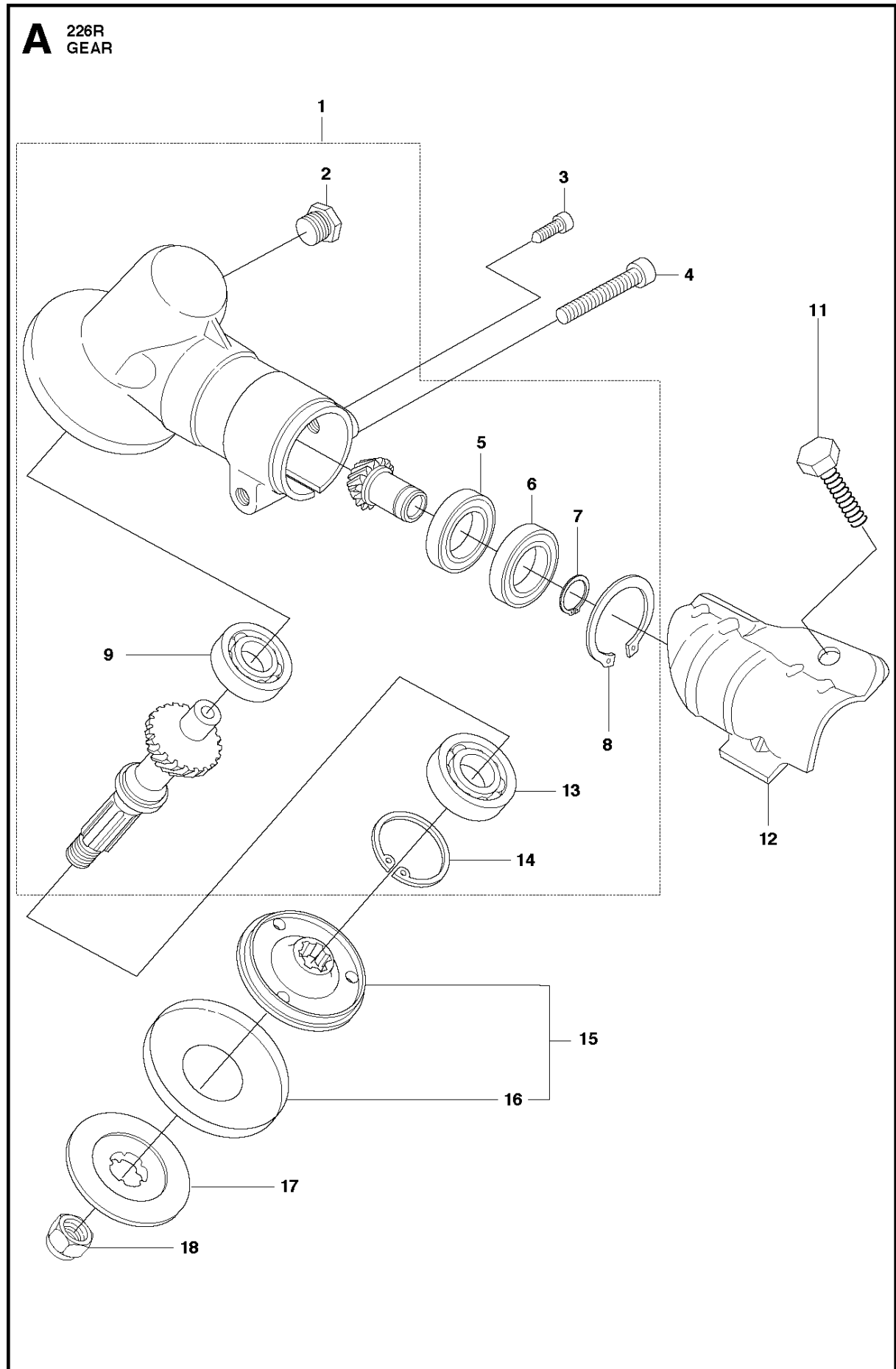




SPARE PARTS LIST

BRUSHCUTTERS/CLEARING SAWS

226 R, 2009-01

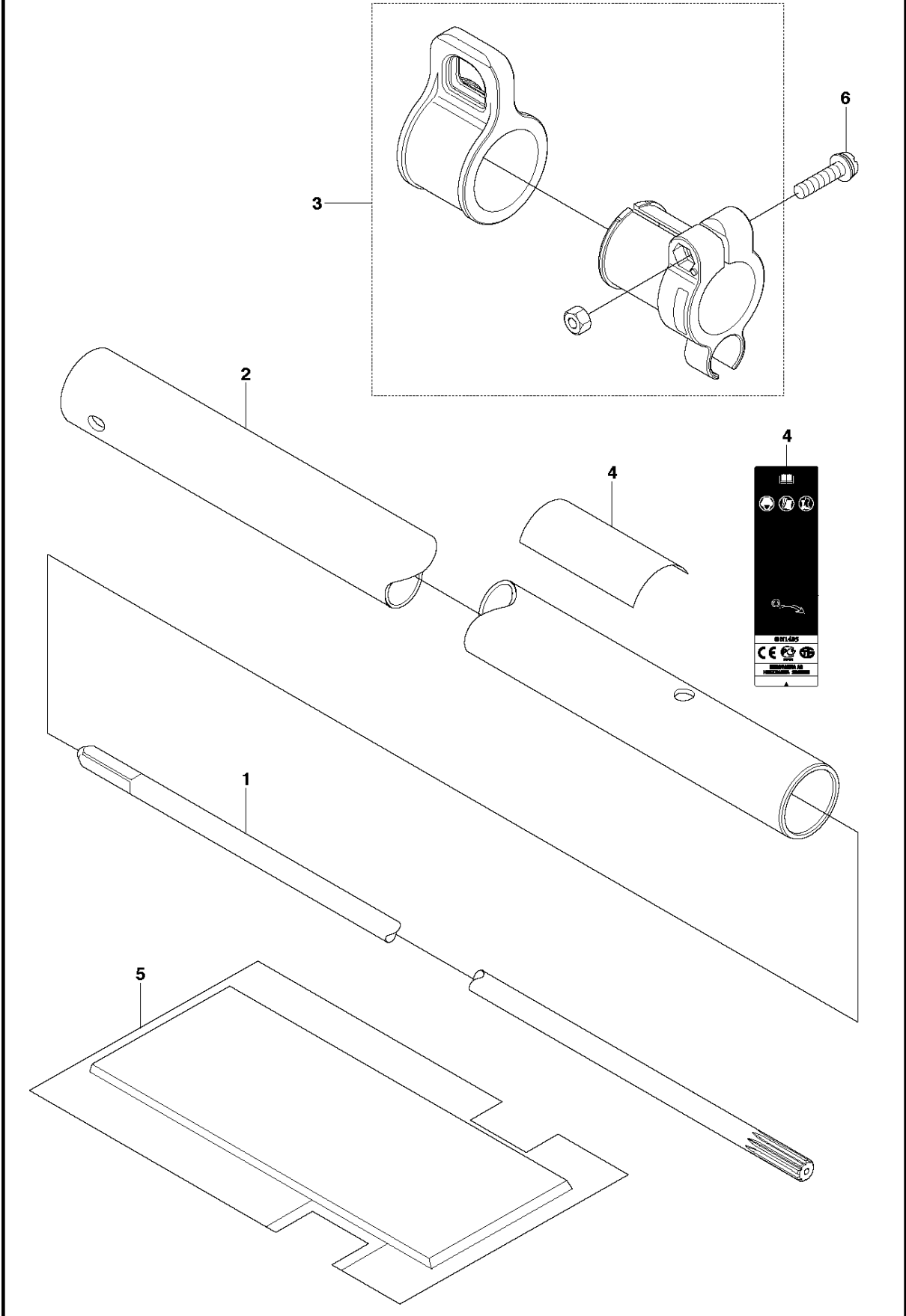


BEVEL GEAR

226 R, 2009-01

Ref	Part No	Description	Remark	QTY	KIT
1	537 33 32-02	BEVEL GEAR		1	1
2	503 20 15-01	SCREW		1	1
3	503 20 14-12	SCREW IHSCFMO	M5X12	1	
4	503 20 07-25	SCREW IHSCFM	M5X25	1	
5	738 21 99-00	BALL BEARING		1	1
6	738 21 99-02	BALL BEARING		1	1
7	735 31 11-00	CIRCLIP		1	1
8	735 31 25-10	CIRCLIP		1	1
9	738 21 98-00	BALL BEARING		1	1
11	537 18 95-01	SCREW	M6x20	1	1
12	503 93 55-01	CLAMP.GUARD		1	
13	738 21 01-04	BALL BEARING		1	1
14	735 31 28-10	CIRCLIP		1	1
15	537 23 49-01	DRIVER ASSY		1	
16	537 29 26-01	CUP		1	15
17	537 28 56-01	SUPPORT FLANGE		1	
18	503 85 63-01	NUT		1	

B 226R
TUBE & SHAFT

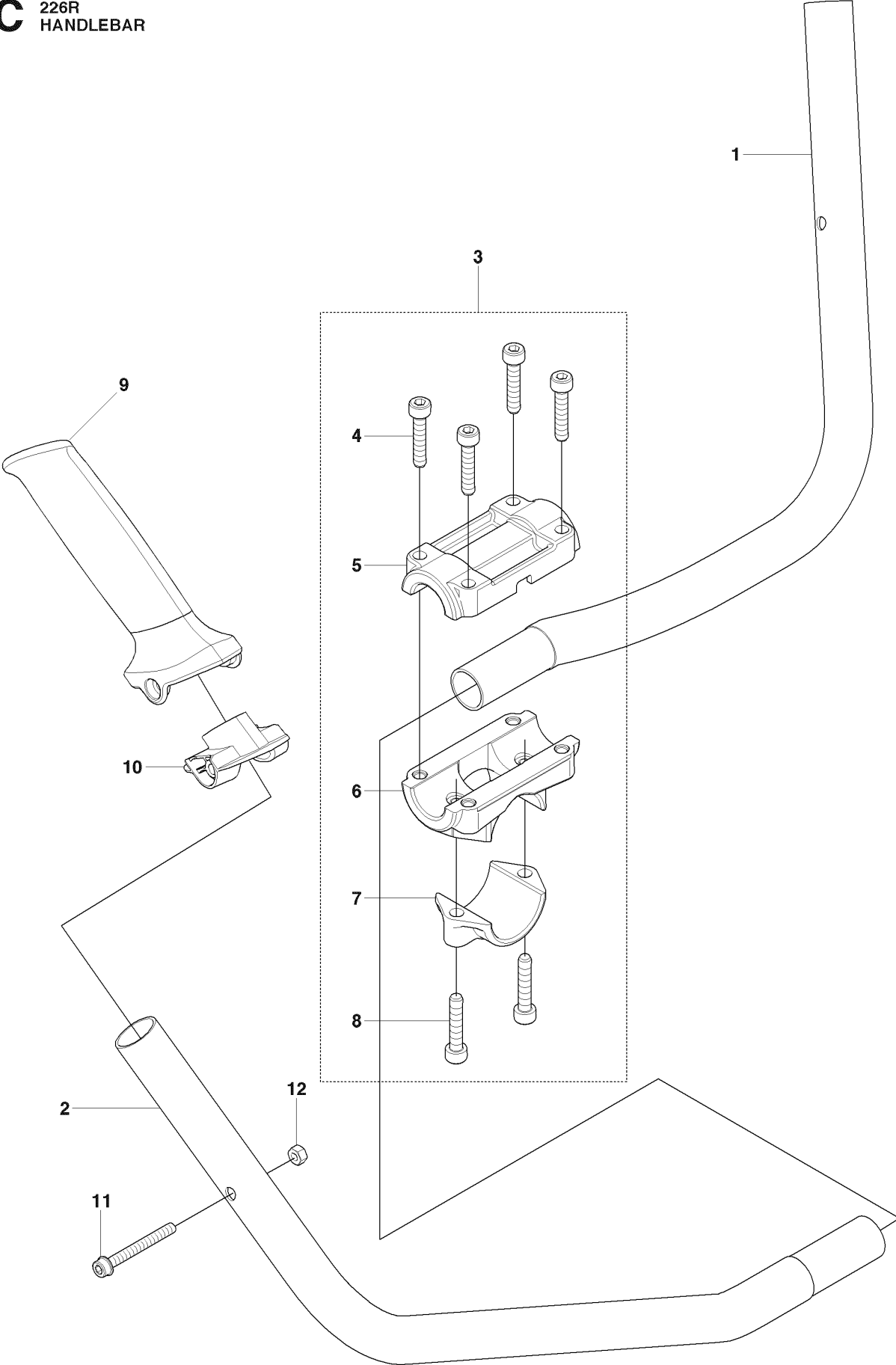


SHAFT

226 R, 2009-01

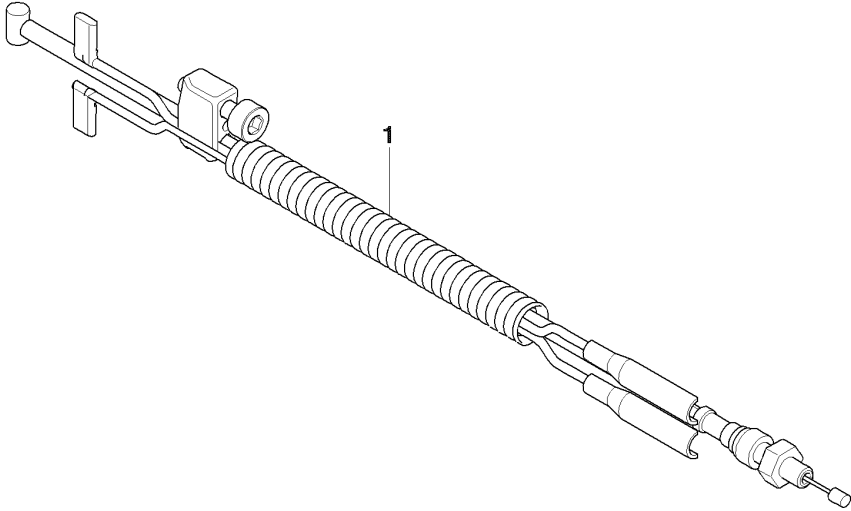
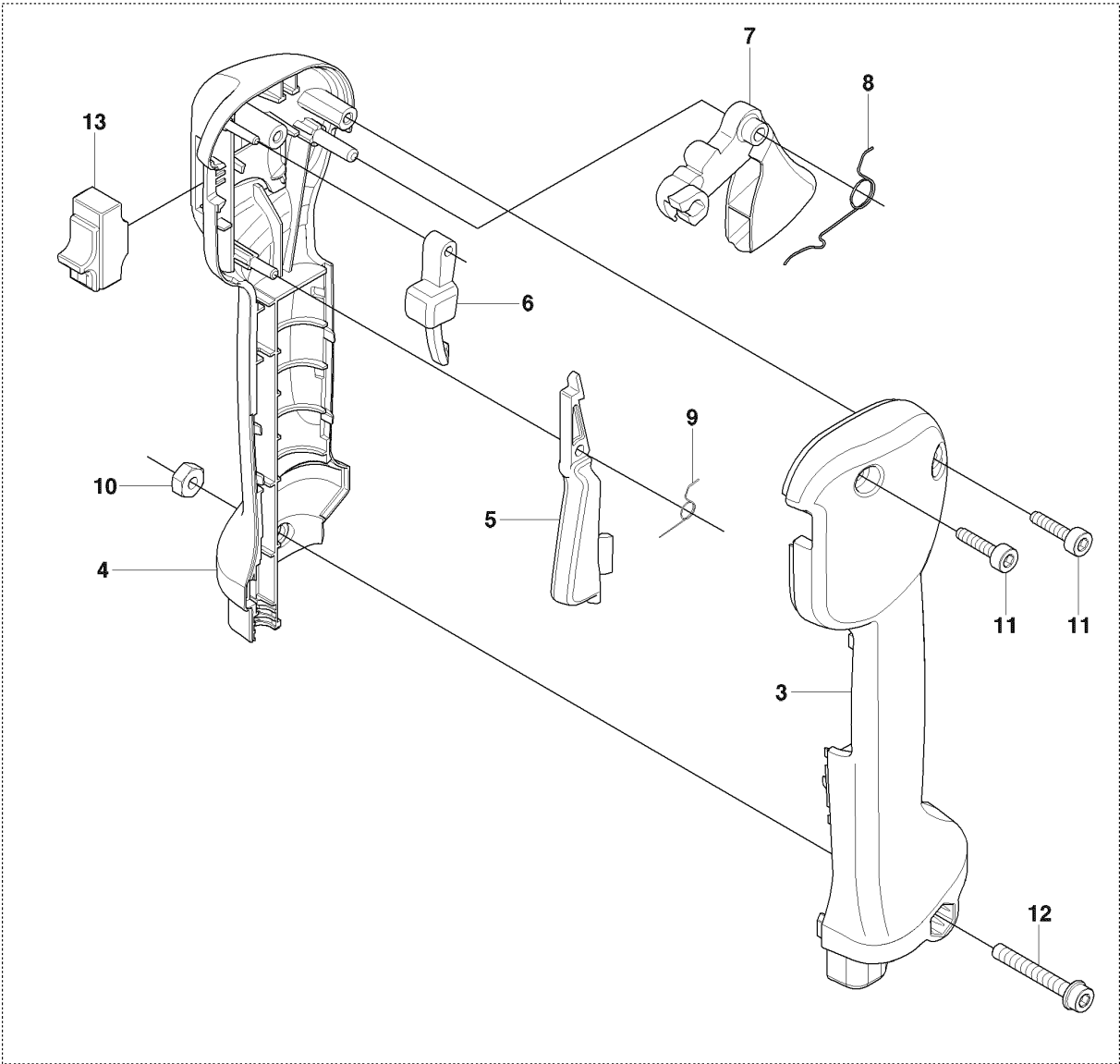
Ref	Part No	Description	Remark	QTY KIT
1	528 84 19-01	SHAFT		1
2	528 84 20-01	PIPE-COMP		1
3	521 82 21-01	HANGER		1
4	510 96 31-01	LABEL.CAUTION		1
5	521 53 87-01	PROTECTION		1
6	510 48 23-01	SCREW		1

C 226R
HANDLEBAR



Ref	Part No	Description	Remark	QTY	KIT
1	528 81 74-01	HANDLE		1	
2	528 81 75-01	HANDLE		1	
3	514 39 53-01	BRACKET		1	
3	576 46 06-01	HANDLEBAR BRACKET	South America only	1	
4	510 52 32-01	BOLT		1	3
4	725 53 33-55	SCREW IHSCM	South America only	4	3
5	505 29 49-01	CAP		1	3
6	514 39 55-01	BRACKET		1	3
7	514 39 56-01	CAP		1	3
8	526 73 45-01	BOLT		2	3
9	537 17 28-02	HANDLE		1	
10	537 17 29-01	COVER		1	
11	510 90 94-01	BOLT		1	
11	503 20 07-45	SCREW IHSCFM	South America only	1	
12	575 96 06-01	NUT		1	
12	731 23 14-01	HEXAGON NUT	South America only	1	

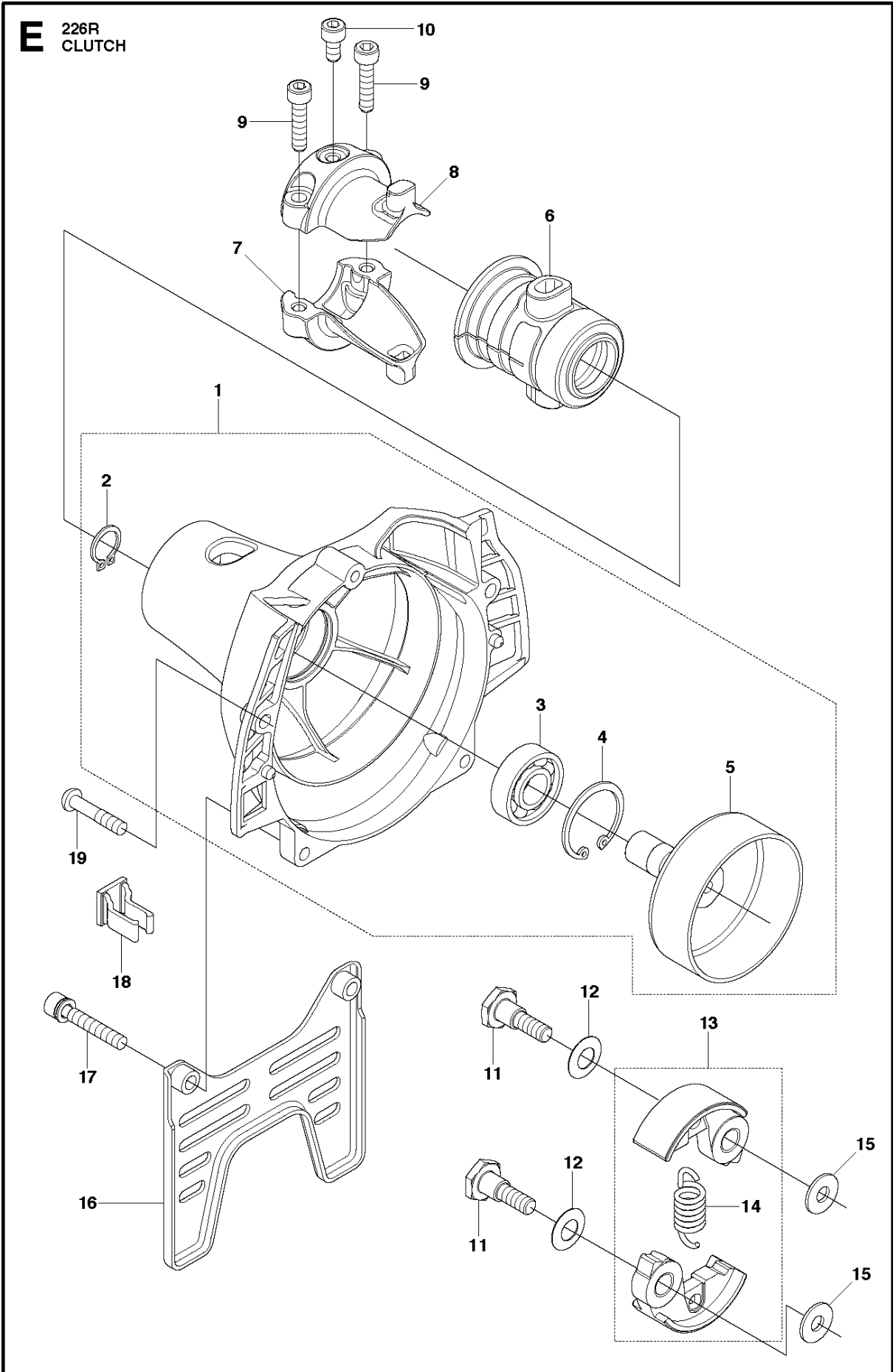
D 226R
THROTTLE HANDLE



THROTTLE CONTROLS

226 R, 2009-01

Ref	Part No	Description	Remark	QTY	KIT
1	522 03 66-01	THROTTLE CABLE ASSY		1	
2	537 18 35-07	HANDLE ASSY		1	
3	537 16 03-02	HANDLE HALF		1	2
4	537 16 02-03	HANDLE HALF		1	2
5	506 49 77-01	THROTTLE CONTROL		1	2
6	537 16 07-03	THROTTLE LOCKOUT		1	2
7	503 71 82-01	SWITCH		1	2
8	537 17 42-01	SPRING THROTTLE TRIG		1	2
9	537 17 43-01	SPRING		1	2
10	503 22 10-13	HEXAGON NUT		1	2
11	503 21 66-74	SCREW IH SCT		2	2
12	503 20 07-82	SCREW IH SCFM		1	2

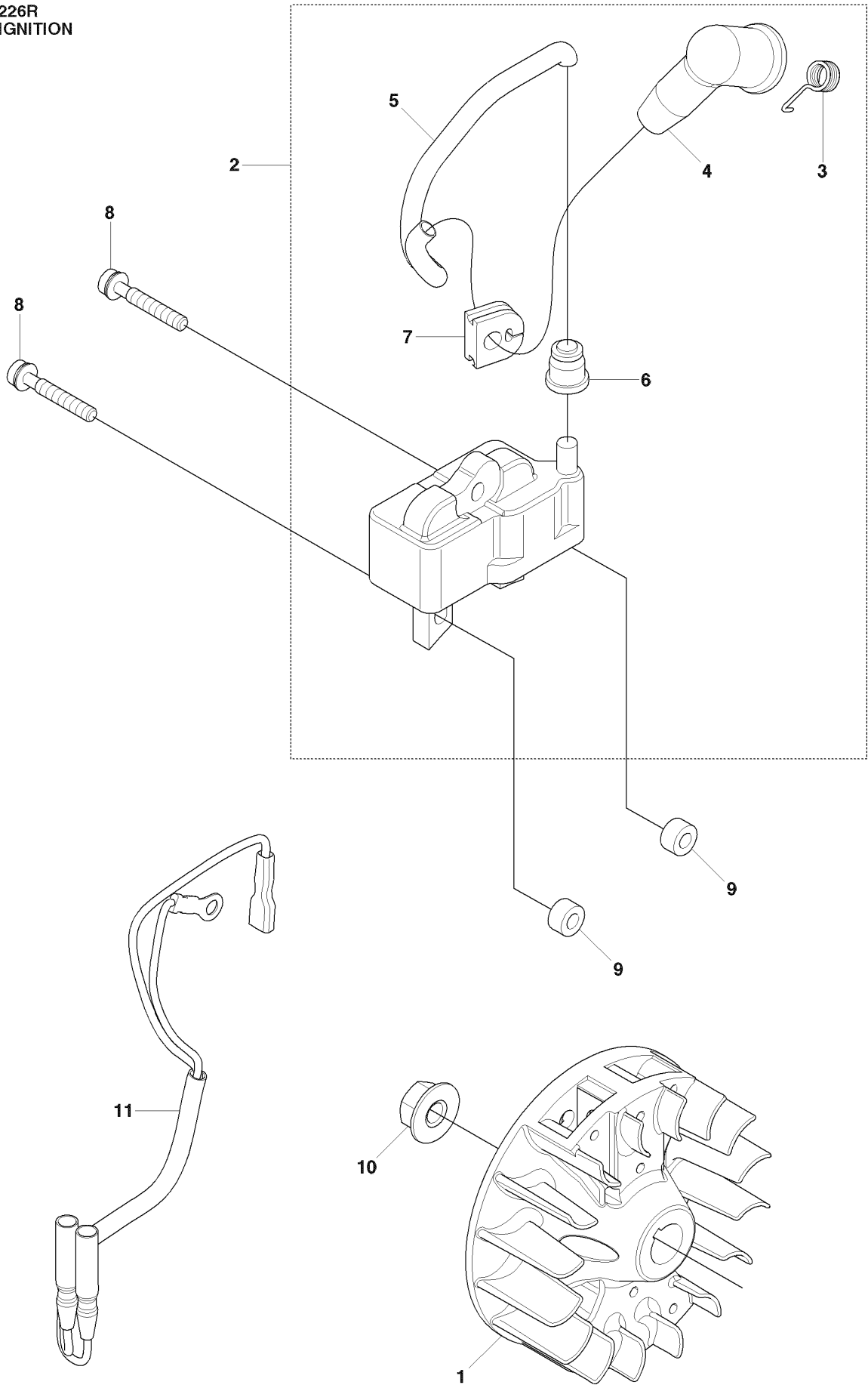


CLUTCH

226 R, 2009-01

Ref	Part No	Description	Remark	QTY	KIT
1	521 77 12-01	HOUSING ASSY		1	
2	516 12 41-01	SNAP RING		1	1
3	525 95 32-01	BEARING		1	1
4	506 60 99-01	SNAP RING		1	1
5	521 60 98-01	DRUM		1	1
6	512 36 05-01	ANTIVIBRATION ELEMENT		1	
7	521 76 83-01	BRACKET		1	
8	521 76 82-01	BRACKET		1	
9	526 73 45-01	BOLT		2	
10	526 73 44-01	BOLT		1	
11	513 18 96-01	SCREW		2	
12	521 75 82-01	WASHER		2	
13	506 62 94-01	CLUTCH		1	
14	506 68 58-01	SPRING		1	13
15	505 05 44-01	WASHER		2	
16	511 32 36-01	GUARD		1	
17	514 23 48-01	BOLT		2	
18	521 75 88-01	CLAMP		1	
19	510 48 23-01	SCREW		2	

F 226R
IGNITION

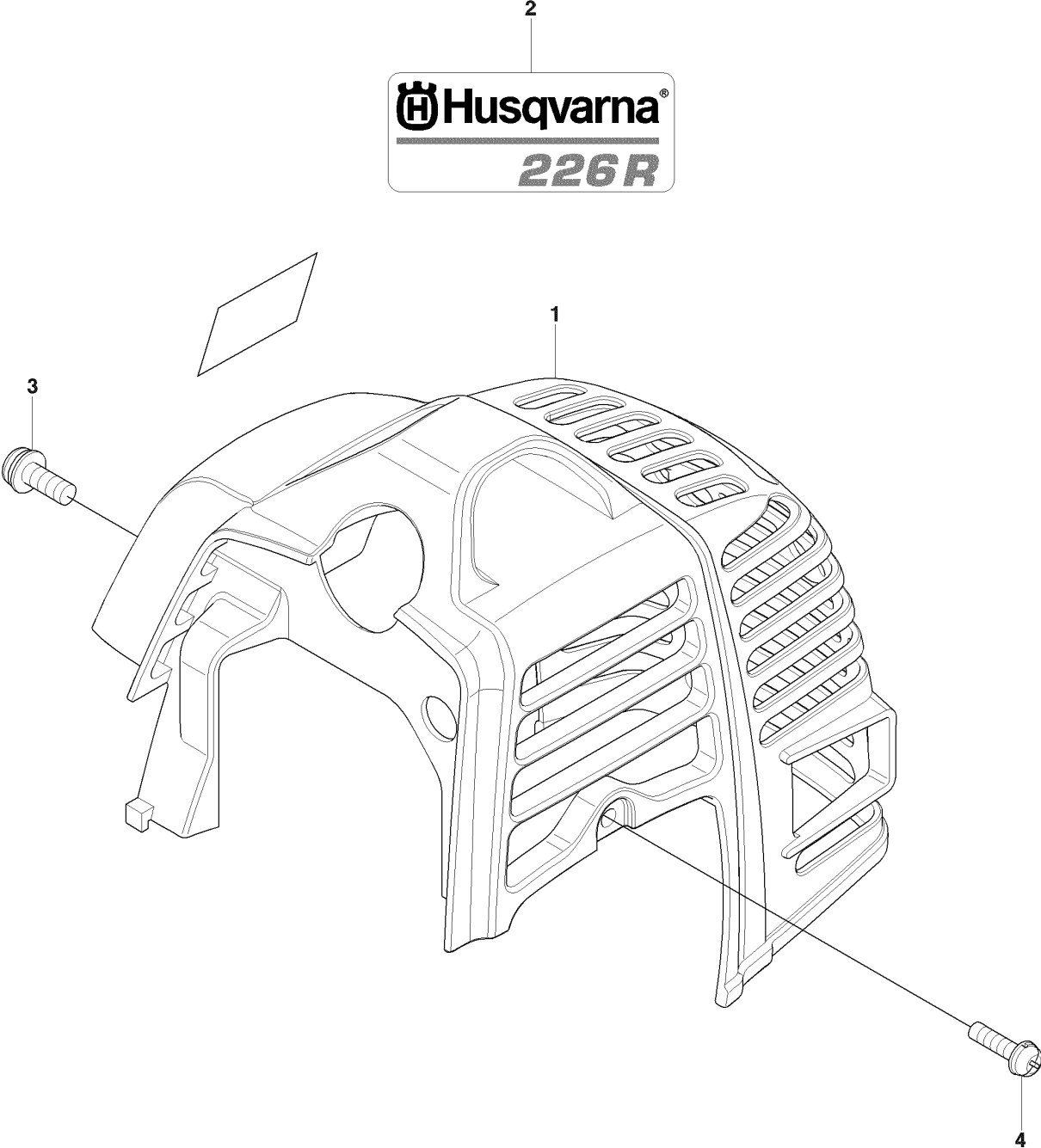


IGNITION SYSTEM

226 R, 2009-01

Ref	Part No	Description	Remark	QTY	KIT
1	521 76 93-01	ROTOR		1	
2	512 36 16-01	COIL		1	
3	521 35 87-01	SPRING		1	2
4	505 29 88-01	HUB CAP		1	2
5	512 36 17-01	CORD		1	2
6	505 04 28-01	HUB CAP		1	2
7	505 29 87-01	GROMMET		1	2
8	514 18 68-01	BOLT		2	
9	521 76 97-01	SPACER		2	
10	504 11 80-01	NUT		1	
11	512 36 19-01	CORD		1	

G 226R
CYLINDER COVER

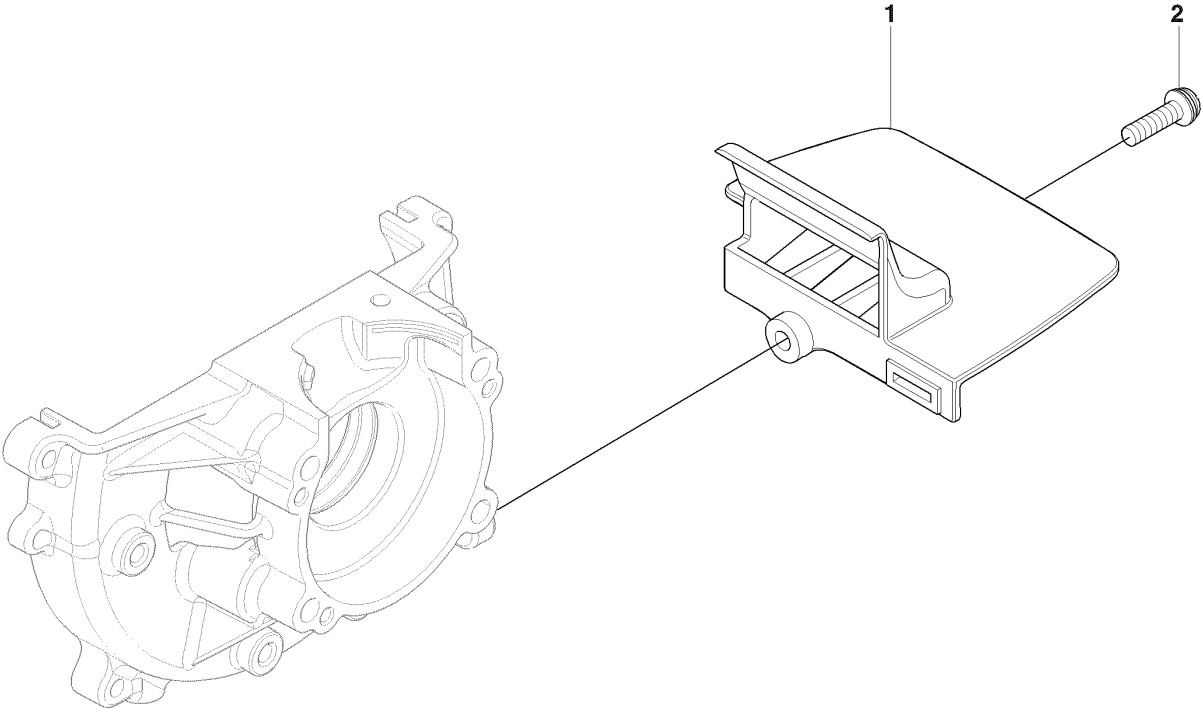
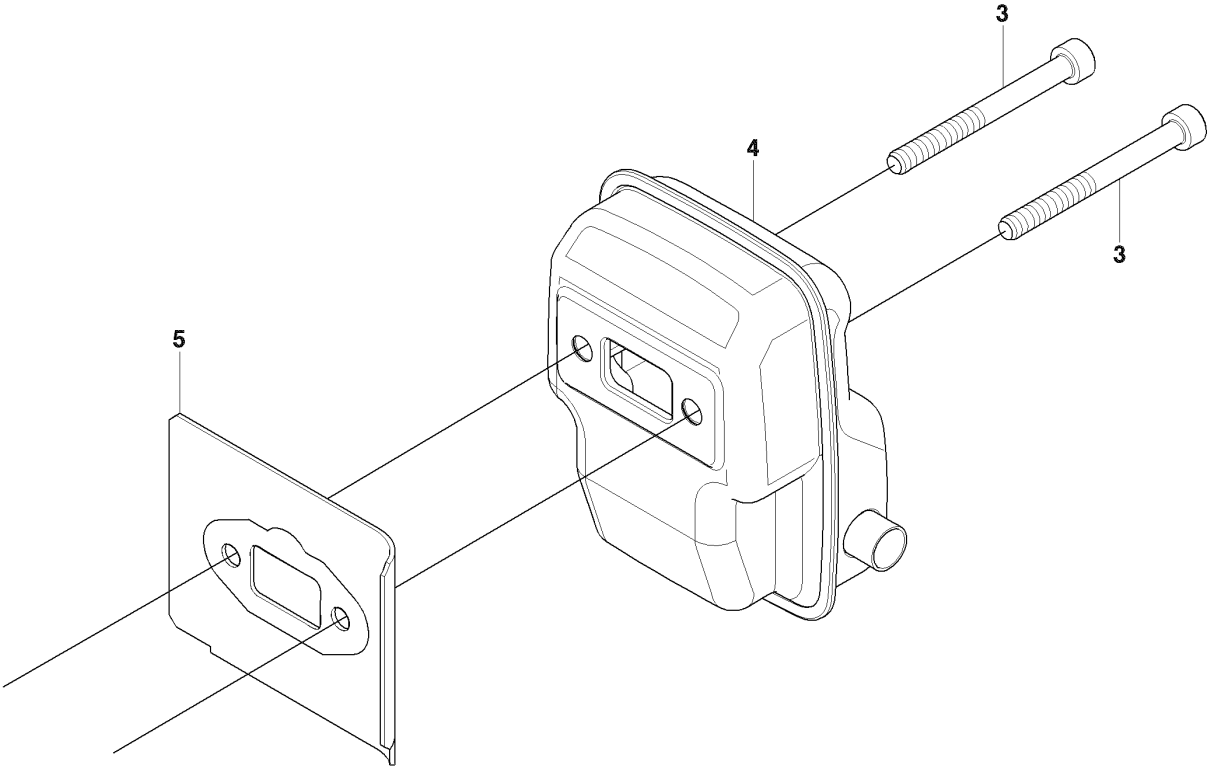


CYLINDER COVER

226 R, 2009-01

Ref	Part No	Description	Remark	QTY KIT
1	527 91 78-01	COVER		1
2	527 91 87-01	LABEL,COVER		1
3	505 29 98-01	SCREW		1
4	512 36 10-01	SCREW		1

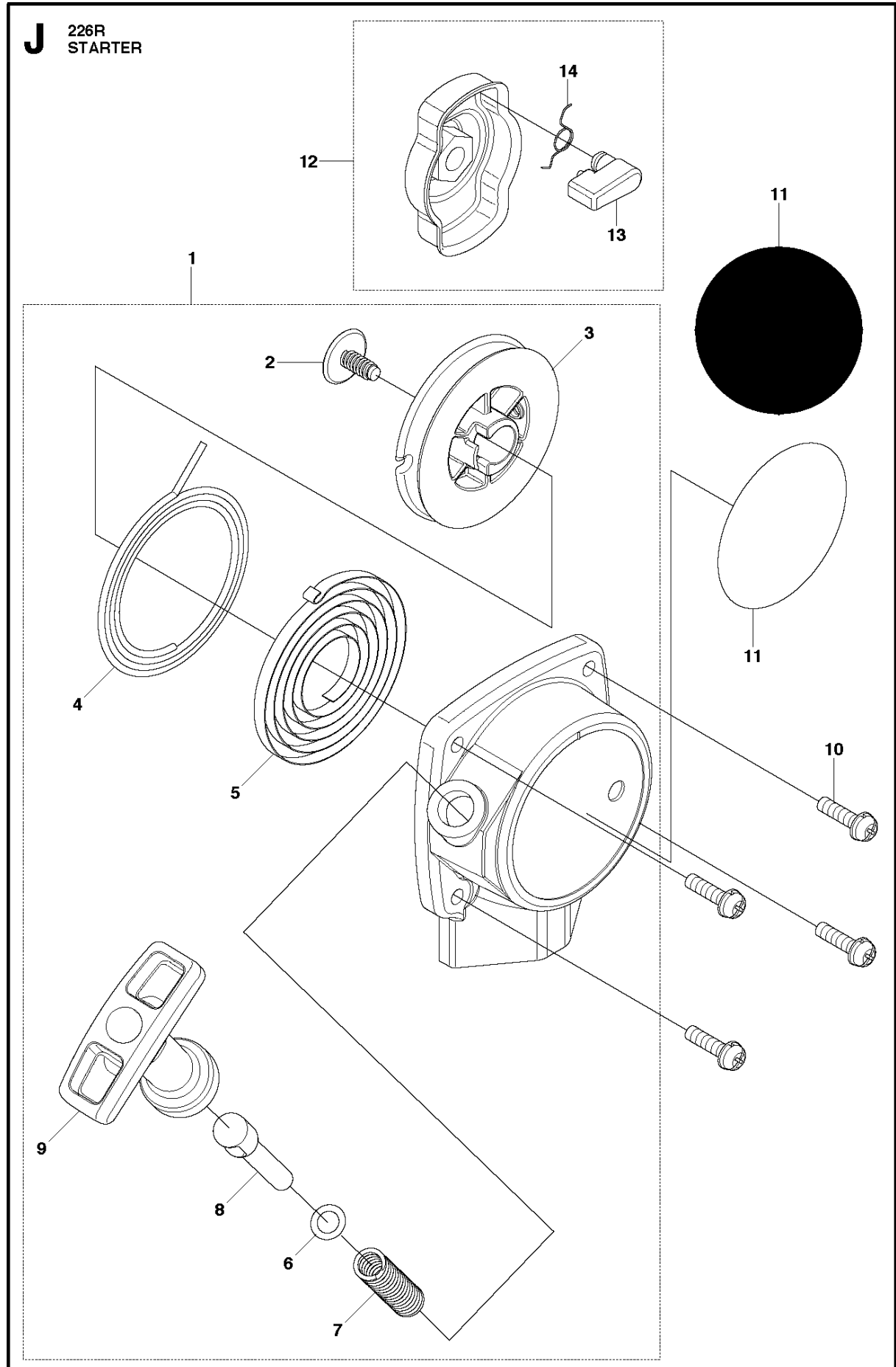
H 226R
MUFFLER



MUFFLER

226 R, 2009-01

Ref	Part No	Description	Remark	QTY KIT
1	515 41 21-01	PLATE.MUFFLER		1
2	510 48 16-01	SCREW		1
3	516 07 14-01	BOLT		2
4	512 35 97-01	MUFFLER		1
5	512 33 29-01	GASKET		1

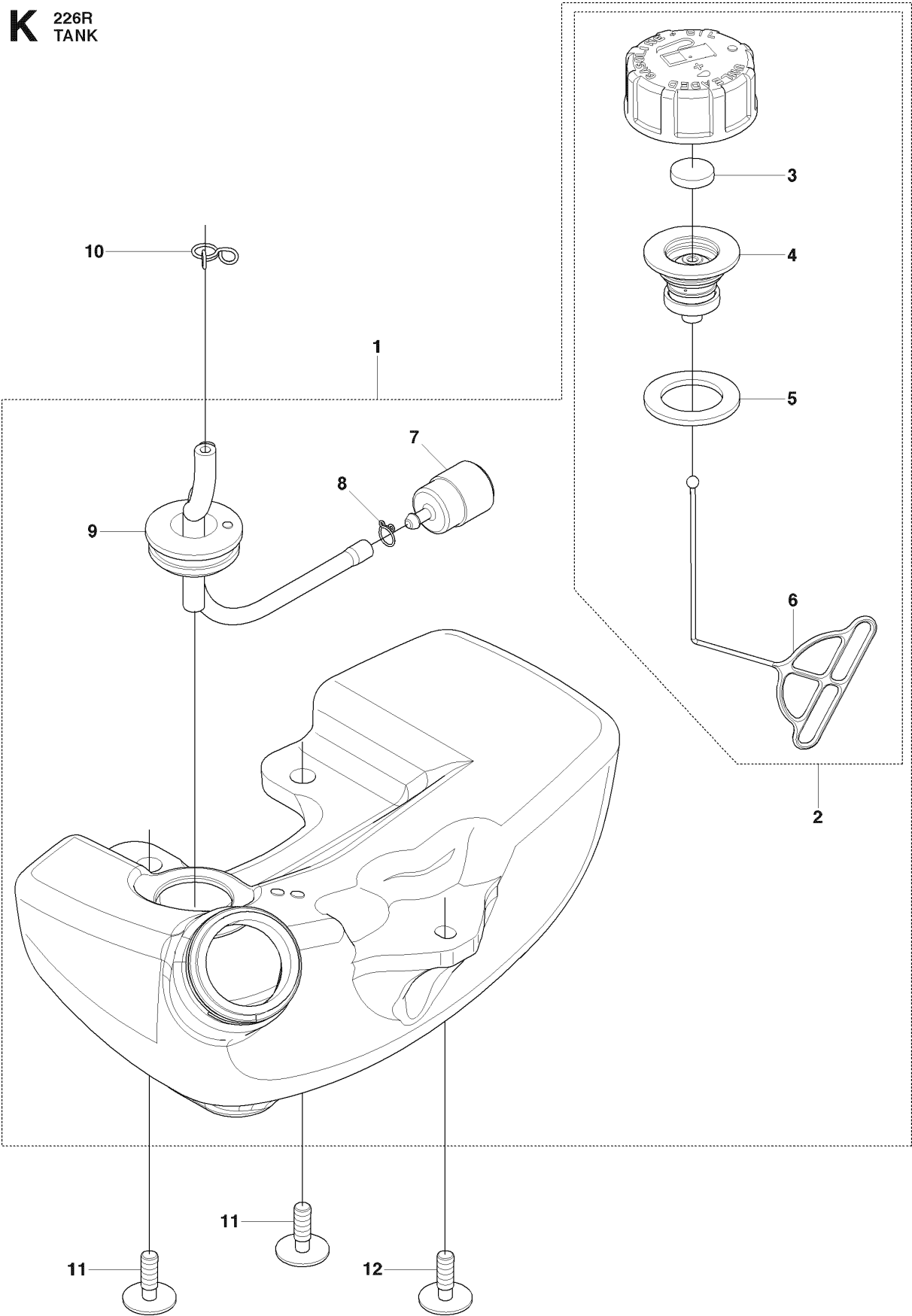


STARTER

226 R, 2009-01

Ref	Part No	Description	Remark	QTY	KIT
1	527 91 81-01	STARTER ASSY		1	
2	506 61 30-01	SCREW		1	1
3	513 41 68-01	REEL		1	1
4	521 75 94-01	ROPE		1	1
5	504 11 50-01	SPIRAL SPRING		1	1
6	521 75 96-01	WASHER		1	1
7	521 75 99-01	SPRING		1	1
8	521 75 98-01	COLLAR		1	1
9	521 75 97-01	KNOB		1	1
10	512 36 10-01	SCREW		4	
11	527 91 88-01	LABEL,RECOIL		1	
12	513 41 73-01	PULLEY		1	
13	513 41 77-01	RATCHET		1	12
14	513 41 78-01	SPRING		1	12

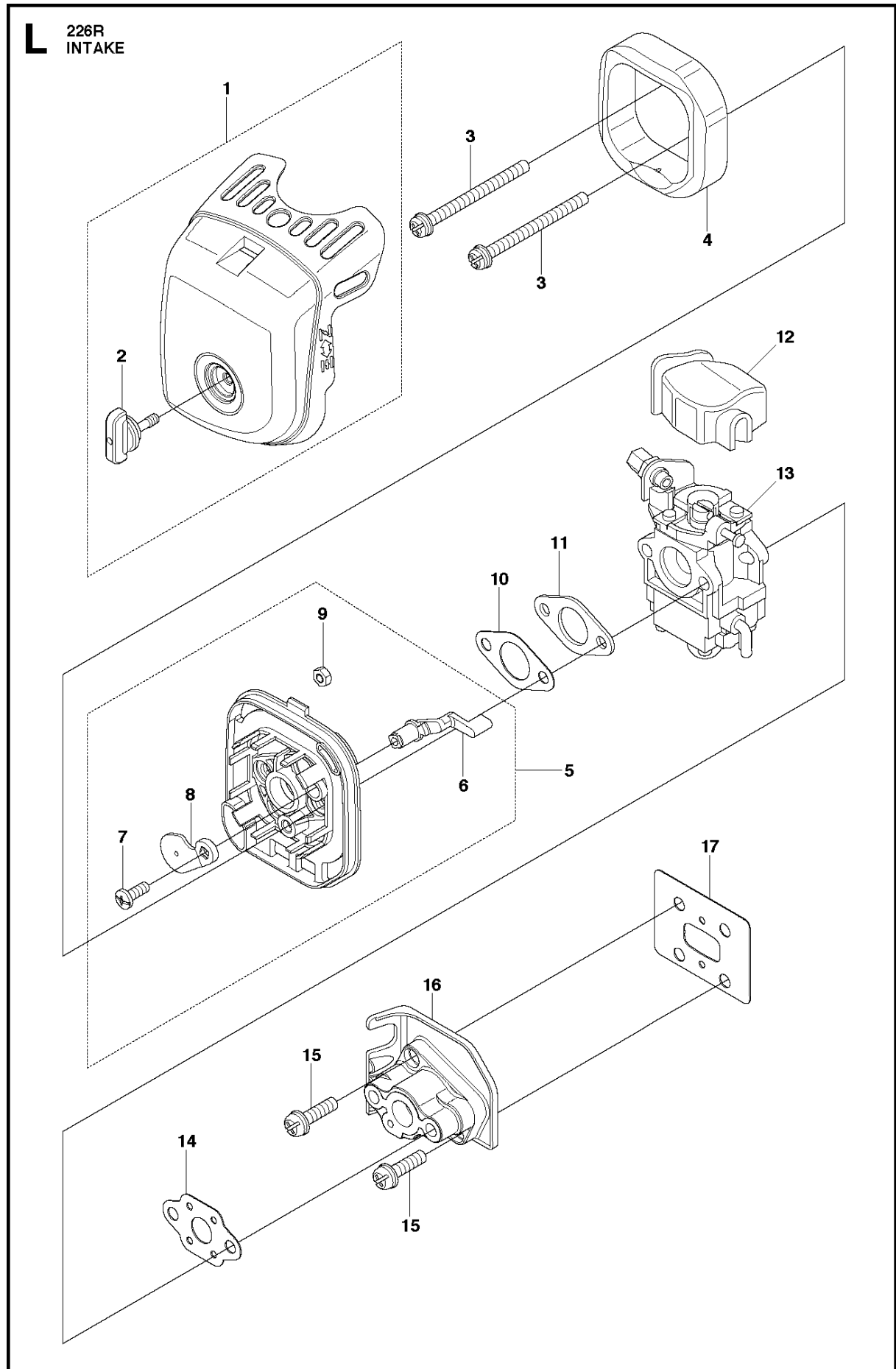
K 226R
TANK



FUEL TANK

226 R, 2009-01

Ref	Part No	Description	Remark	QTY	KIT
1	521 77 20-01	TANK ASSY		1	
2	521 37 97-01	CAP		1	1
3	506 61 72-01	FILTER		1	1, 2
4	515 44 78-01	HOLDER		1	1, 2
5	515 41 83-01	PACKING		1	1, 2
6	506 74 58-01	STOPPER		1	1, 2
7	515 41 85-01	FILTER		1	1
8	506 70 70-01	CLIP		1	1
9	515 41 84-01	PIPE		1	1
10	506 74 15-01	CLIP		1	
11	515 41 87-01	SCREW		2	
12	515 49 25-01	SCREW		1	

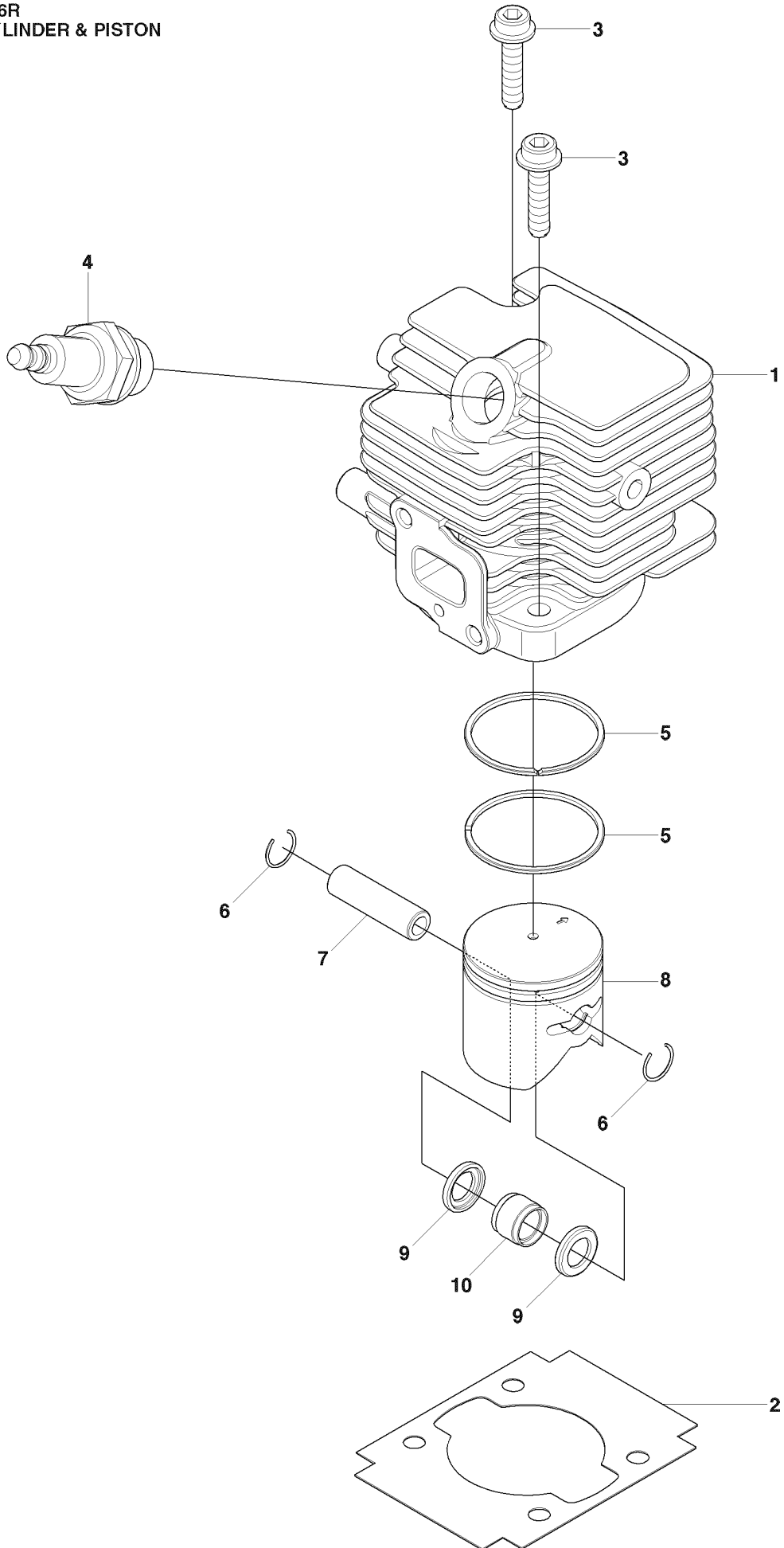


CARBURETOR & AIR FILTER

226 R, 2009-01

Ref	Part No	Description	Remark	QTY	KIT
1	527 91 85-01	COVER		1	
2	523 07 13-01	KNOB		1	1
3	510 48 31-01	SCREW		2	
4	515 41 73-01	AIR FILTER		1	
5	512 36 27-01	BODY		1	
6	512 36 29-01	LEVER		1	5
7	506 61 40-01	SCREW		1	5
8	512 36 28-01	PLATE.CHOKE		1	5
9	513 45 49-01	SLEEVE		2	
10	512 38 22-01	GASKET		1	
11	521 77 48-01	PLATE		1	
12	506 74 42-01	COVER		1	
13	527 91 83-01	CARBURETOR-A		1	
14	515 40 99-01	GASKET		1	
15	510 48 23-01	SCREW		2	
16	512 35 96-01	INSULATOR		1	
17	515 40 90-01	GASKET		1	

M 226R
CYLINDER & PISTON

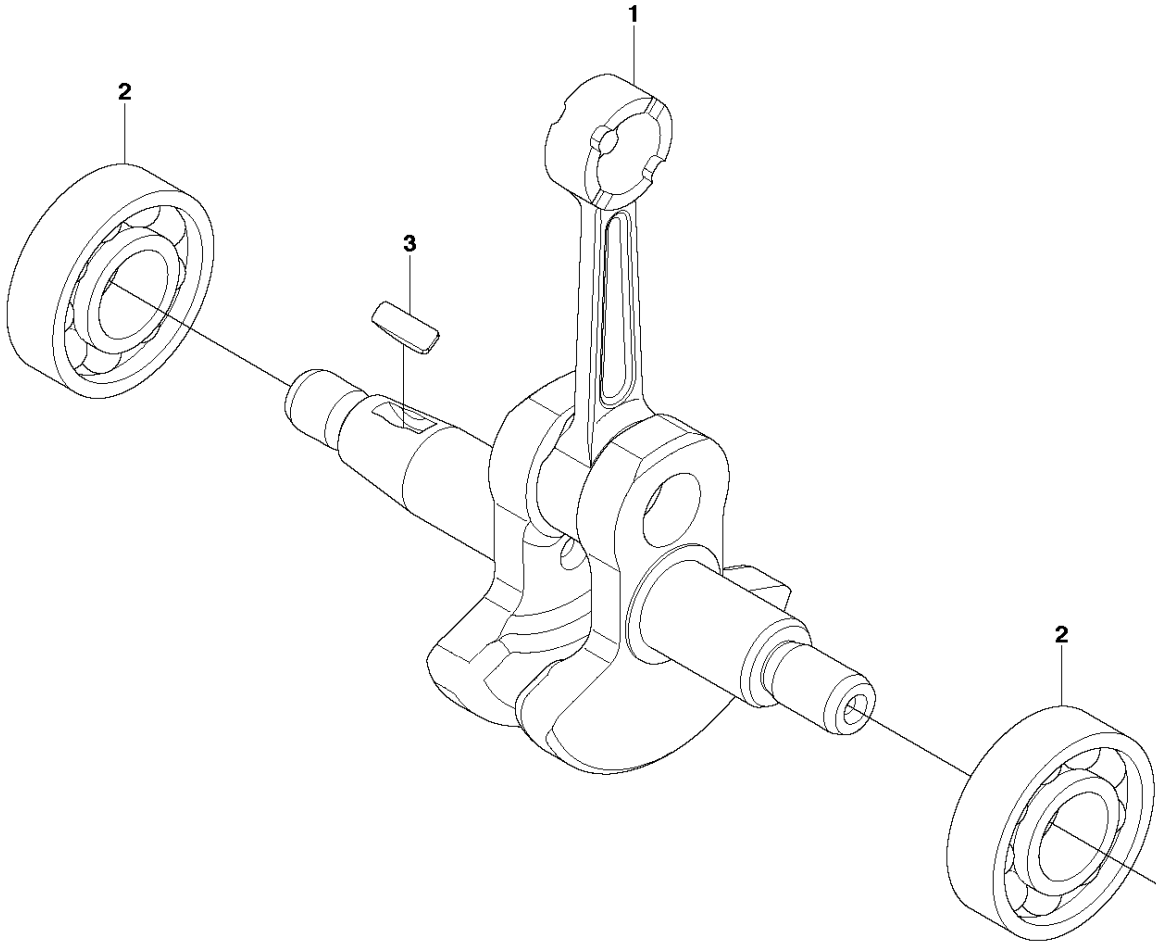


CYLINDER PISTON

226 R, 2009-01

Ref	Part No	Description	Remark	QTY KIT
1	525 95 70-01	CYLINDER		1
2	515 40 88-01	GASKET		1
3	513 41 25-01	BOLT		2
4	515 49 74-01	SPARKPLUGBPMR7A	Plug (BPMR7A)	1
5	529 25 10-01	PISTON RING		2
6	505 04 52-01	RING		2
7	505 04 07-01	PIN		1
8	515 49 18-01	PISTON		1
9	505 04 10-01	WASHER		2
10	505 04 09-01	BEARING		1

N 226R
CRANKSHAFT

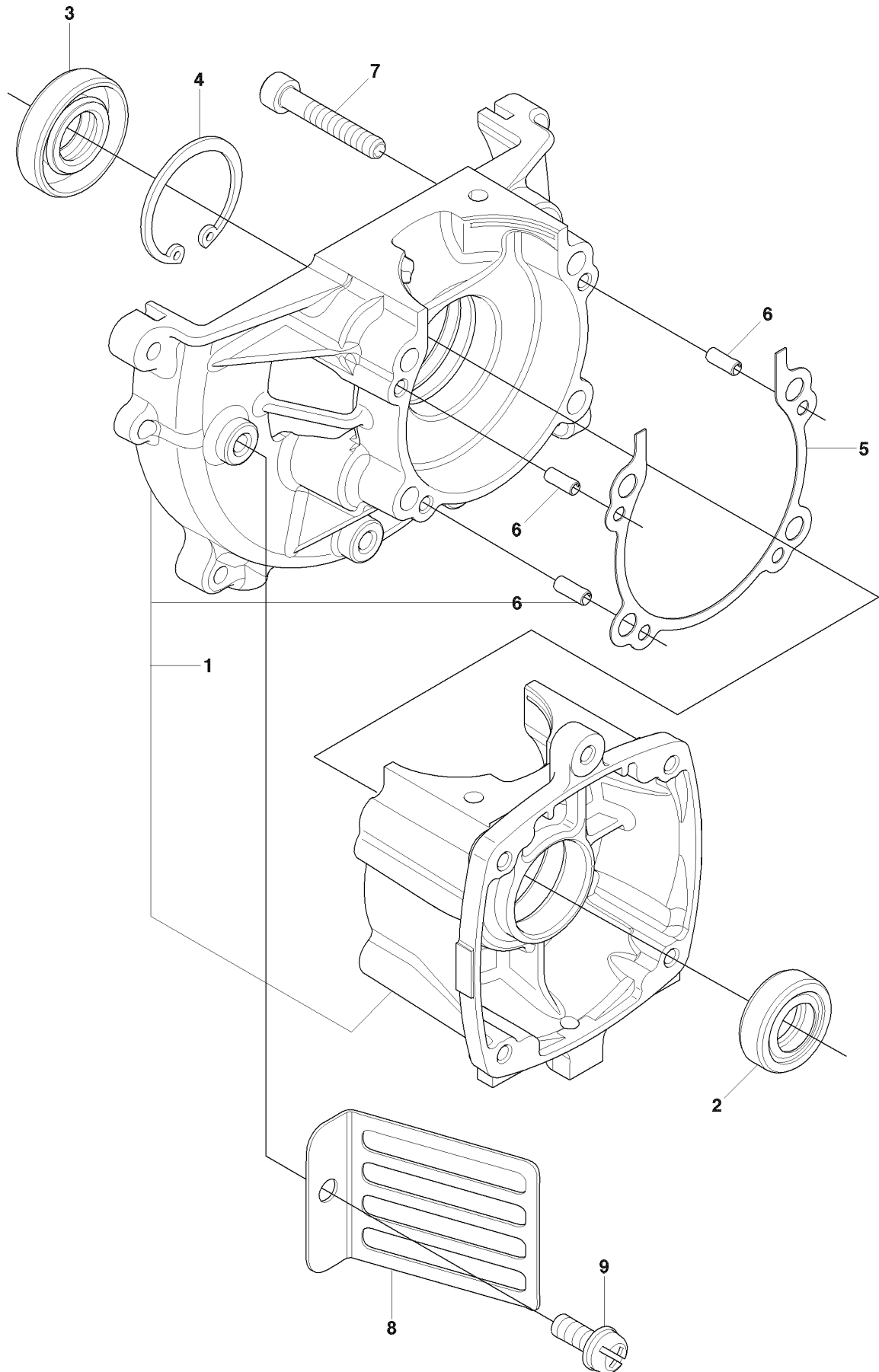


CRANKSHAFT

226 R, 2009-01

Ref	Part No	Description	Remark	QTY KIT
1	526 52 91-01	CRANKSHAFT		1
2	523 07 17-01	BEARING		2
3	506 68 94-01	KEY		1

P 226R
CRANKCASE

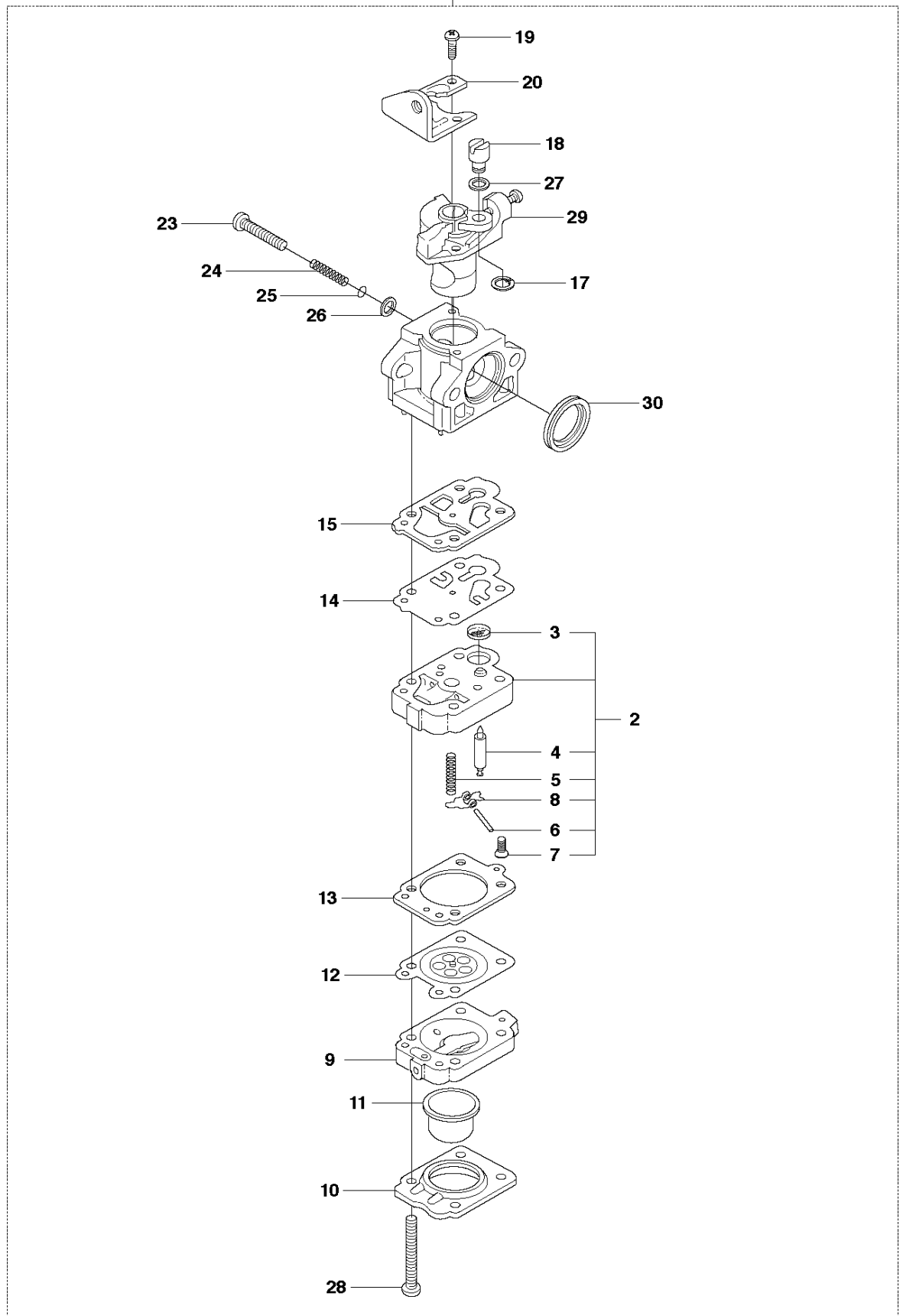


CRANKCASE

226 R, 2009-01

Ref	Part No	Description	Remark	QTY	KIT
1	515 49 00-01	CRANKCASE		1	
2	513 48 87-01	SEAL		1	
3	506 61 29-01	SEAL		1	
4	506 60 99-01	SNAP RING		1	
5	515 41 24-01	GASKET		1	
6	505 29 61-01	PIN		3	1
7	506 60 94-01	BOLT		4	
8	515 41 26-01	GUARD		1	
9	505 29 98-01	SCREW		1	

Q 226R
CARBURETTOR

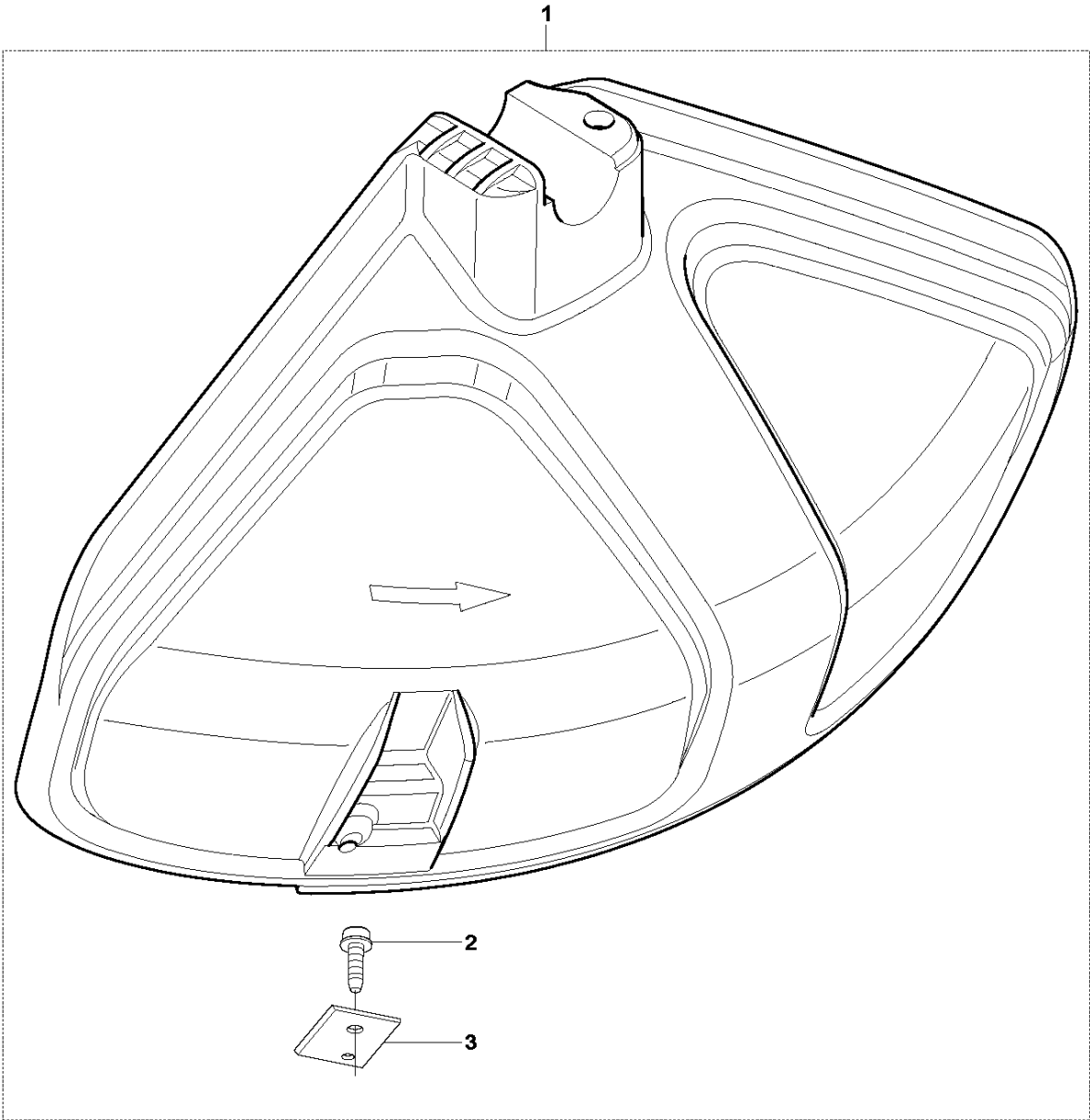


CARBURETOR DETAILS

226 R, 2009-01

Ref	Part No	Description	Remark	QTY	KIT
1	527 91 83-01	CARBURETOR-A		1	
2	513 41 08-01	BODY		1	
3	520 95 70-01	SCREEN		1	2
4	521 08 54-01	VALVE.INLET		1	2
5	513 41 07-01	SPRING		1	2
6	505 05 58-01	PEN		1	2
7	505 30 61-01	SCREW		1	2
8	520 97 72-01	LEVER		1	2
9	506 74 09-01	BODY		1	
10	506 74 10-01	COVER		1	
11	505 30 67-01	PUMP		1	
12	505 30 68-01	DIAPHRAGM		1	
13	506 74 08-01	GASKET		1	
14	506 68 98-01	DIAPHRAGM		1	
15	506 74 51-01	GASKET		1	
17	506 73 86-01	RETAINER RING		1	
18	506 74 12-01	SWIVEL		1	
19	505 30 79-01	SCREW		2	
20	506 74 60-01	BRACKET		1	
23	512 37 34-01	NEEDLE		1	
24	513 30 15-01	SPRING		1	
25	513 43 78-01	O-RING		1	
26	513 43 77-01	WASHER		1	
27	506 74 61-01	WASHER		1	
28	506 74 11-01	SCREW		4	
29	521 77 01-01	VALVE ASSY		1	
30	505 30 84-01	RING		1	

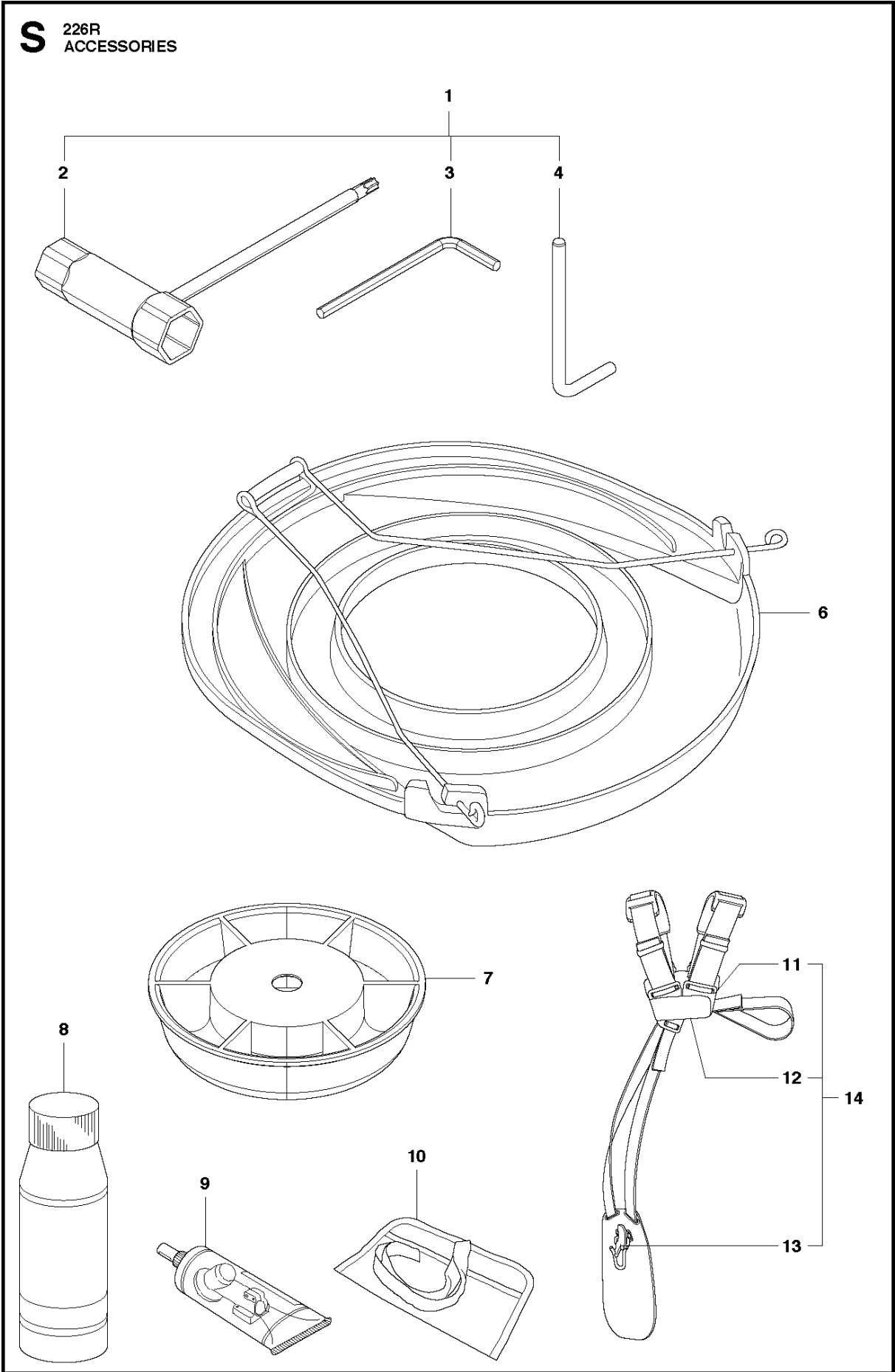
R 226R
ACCESSORIES



GUARDS

226 R, 2009-01

Ref	Part No	Description	Remark	QTY	KIT
1	503 93 42-02	COMBINATION GUARD		1	
2	503 21 07-16	SCREW IHST		1	1
3	503 79 88-01	BLADE		1	1



ACCESSORIES

226 R, 2009-01

Ref	Part No	Description	Remark	QTY	KIT
1	521 81 75-01	TOOL-SET		1	
1	576 46 07-01	TOOL	South America only	1	
2	514 09 91-01	WRENCH		1	1
3	505 31 19-01	WRENCH		1	1
4	505 31 20-01	TOOL		1	1
6	537 31 29-01	TRANSPORT GUARD		1	
7	503 89 01-01	SUPPORT CUP		1	
8	531 00 92-48	FILTER OIL		1	
9	503 97 64-01	GREASE		1	
10	501 19 22-01	TOOL		1	
11	503 73 40-01	FRONT PIECE		1	14
12	503 73 41-02	BUCKLE		1	14
13	502 02 28-02	WELT HOOK		1	14
14	537 21 63-01	HARNESS		1	