

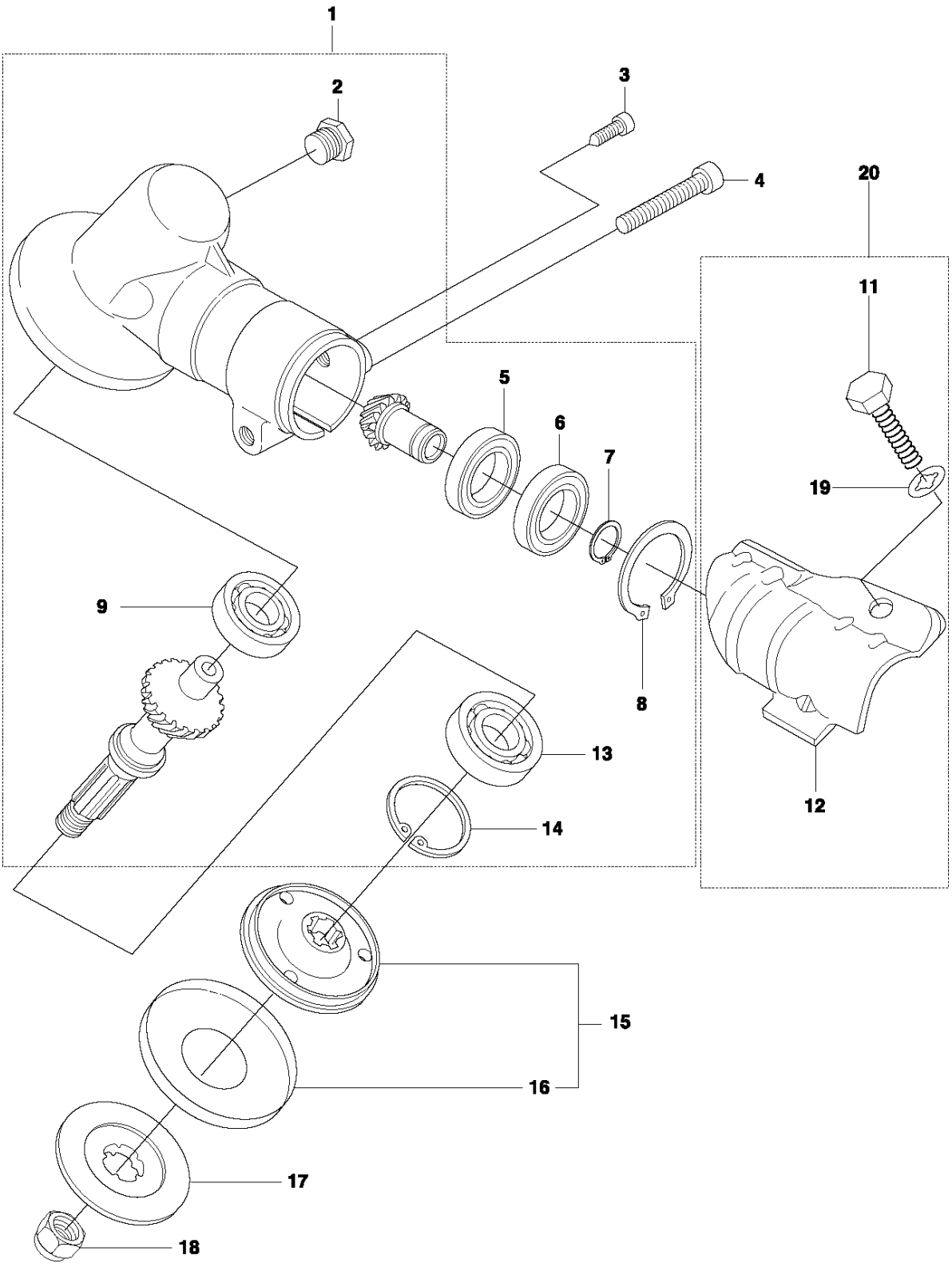


SPARE PARTS LIST

BRUSHCUTTERS/CLEARING SAWS

233 R, 2011-07

A 233RJ, 233R, 533RS
BEVEL GEAR

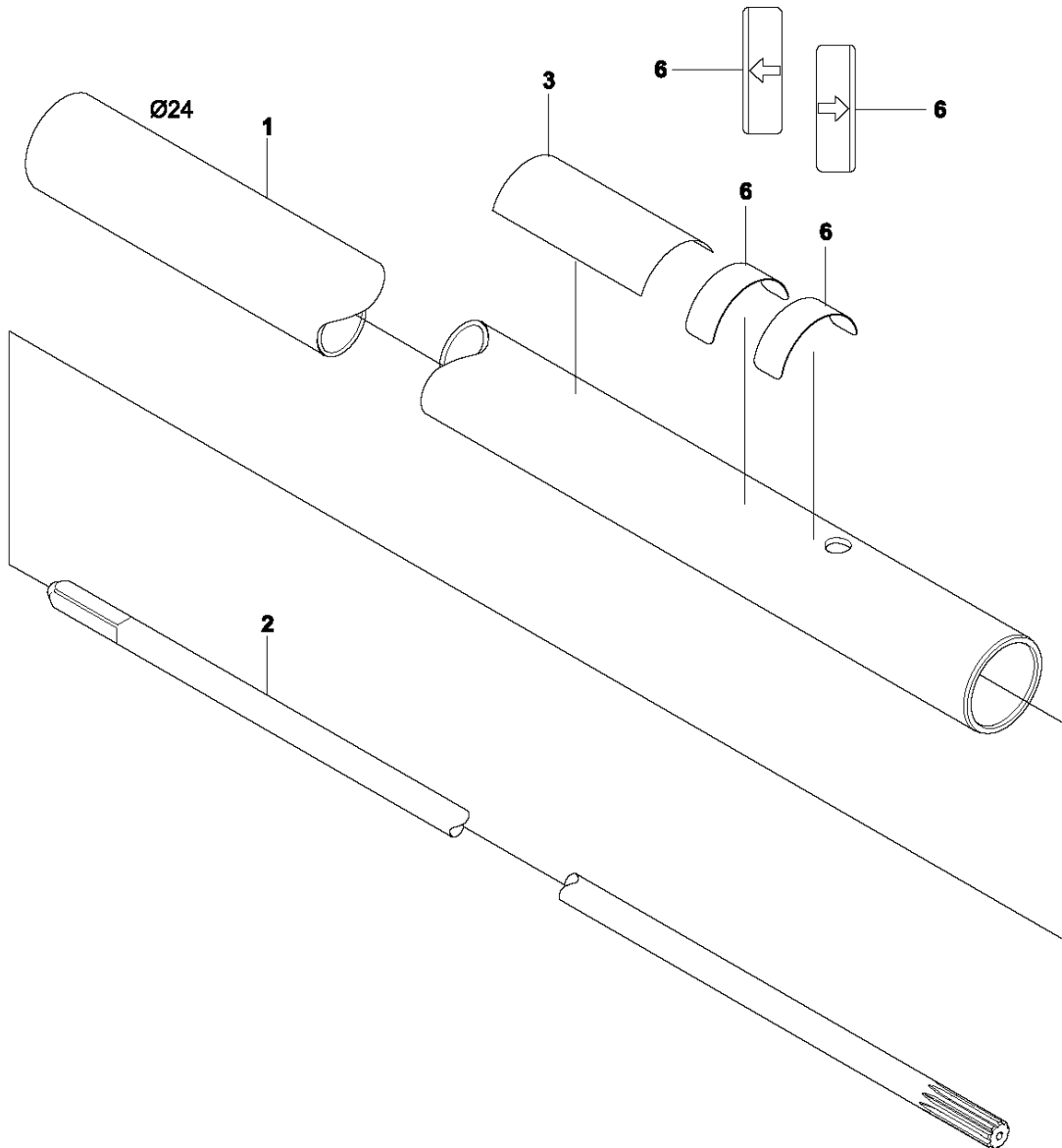
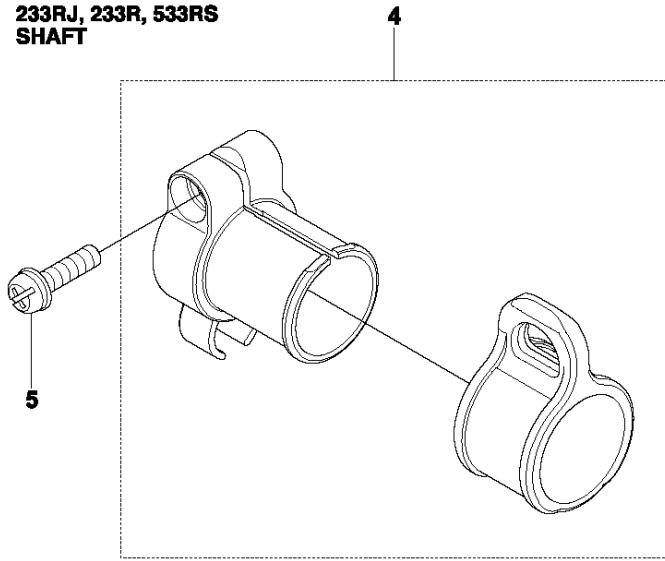


BEVEL GEAR

233 R, 2011-07

Ref	Part No	Description	Remark	QTY	KIT
1	537 33 32-02	BEVEL GEAR		1	1
2	503 20 15-02	SCREW IHHM		1	1
3	506 74 56-01	BOLT	Screw M5x12	1	
4	512 84 59-01	BOLT	Screw M5x25	1	
5	738 21 99-00	BALL BEARING		1	1
6	738 21 99-02	BALL BEARING		1	1
7	735 31 11-00	CIRCLIP		1	1
8	735 31 25-10	CIRCLIP		1	1
9	738 21 98-00	BALL BEARING		1	1
11	537 18 95-01	SCREW	Screw M6x20	1	20
12	503 93 55-01	CLAMP.GUARD		1	20
13	738 21 01-04	BALL BEARING		1	1
14	735 31 28-10	CIRCLIP		1	1
15	537 23 49-01	DRIVER ASSY		1	
16	537 29 26-01	CUP		1	15
17	537 28 56-01	SUPPORT FLANGE		1	
18	503 85 63-01	NUT		1	
19	575 67 73-01	LOCKWASHER		1	20
20	575 77 87-01	BRACKET		1	

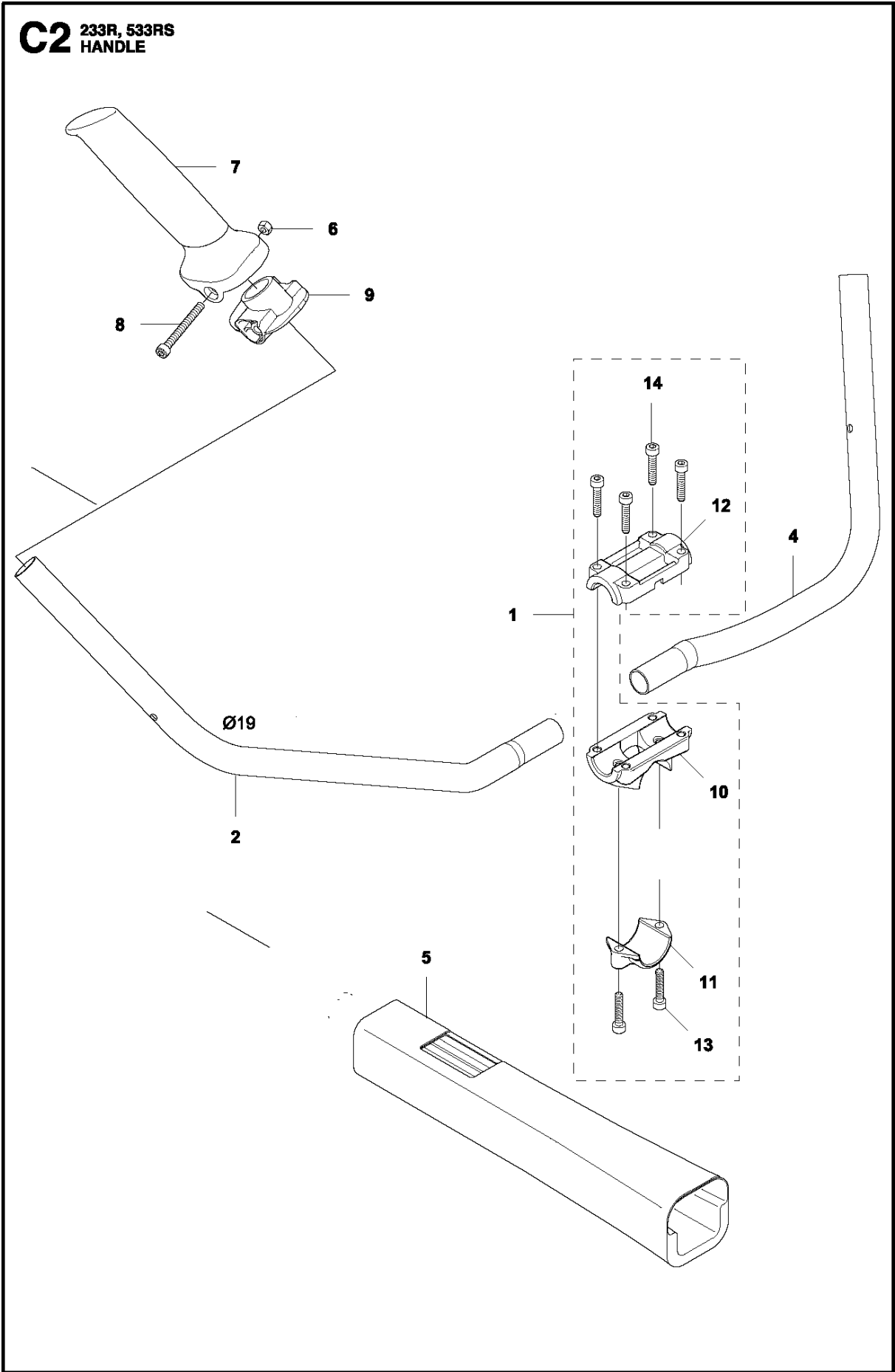
B 233RJ, 233R, 533RS
SHAFT



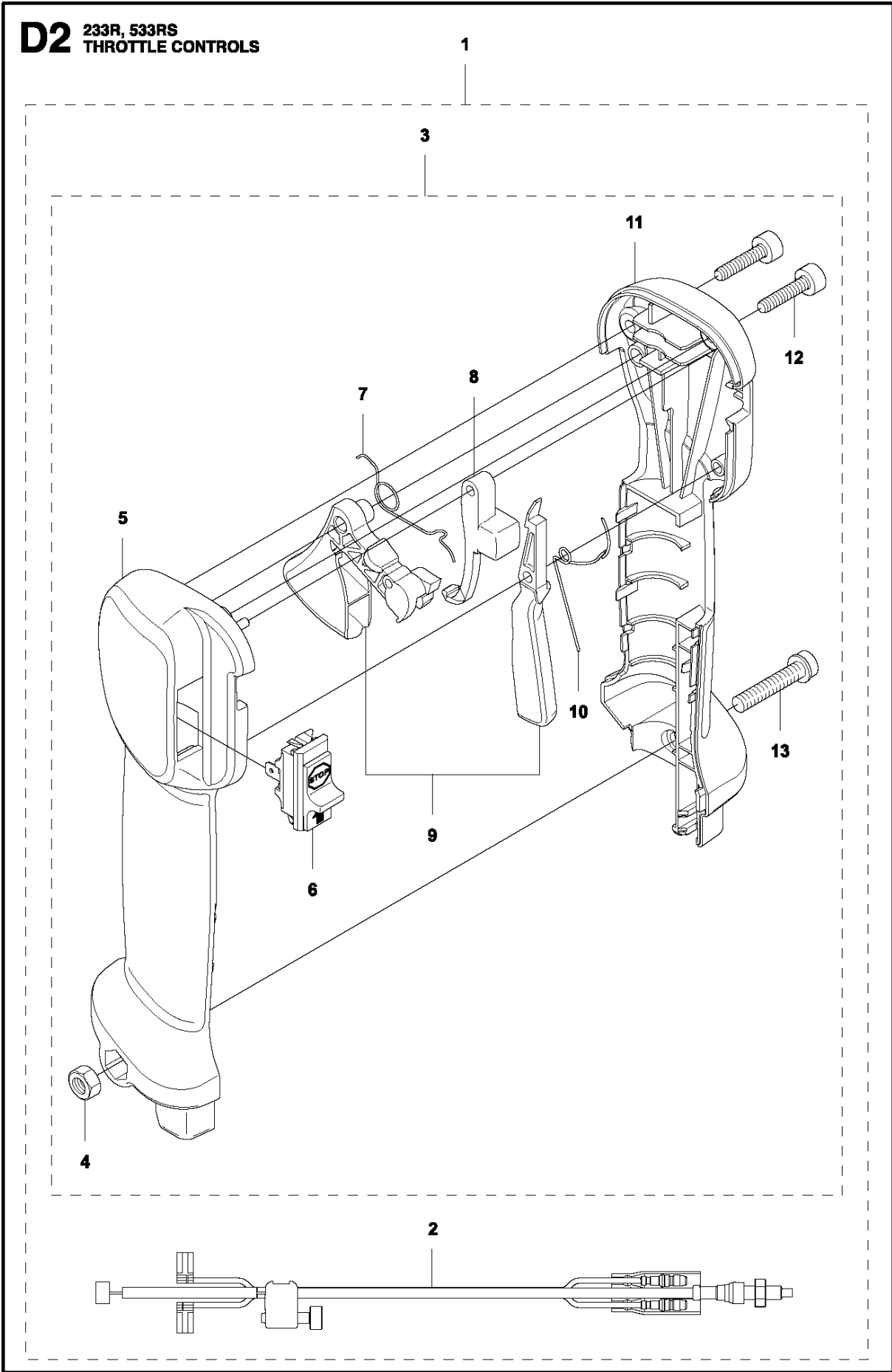
SHAFT

233 R, 2011-07

Ref	Part No	Description	Remark	QTY KIT
1	528 84 20-01	PIPE-COMP		1
2	528 84 19-01	SHAFT		1
3	510 96 31-01	LABEL.CAUTION		1
4	521 82 21-01	HANGER		1
5	510 48 23-01	SCREW	233RJ	1
5	521 51 53-01	SCREW	233R, 533RS	1
6	505 29 58-01	LABEL		2



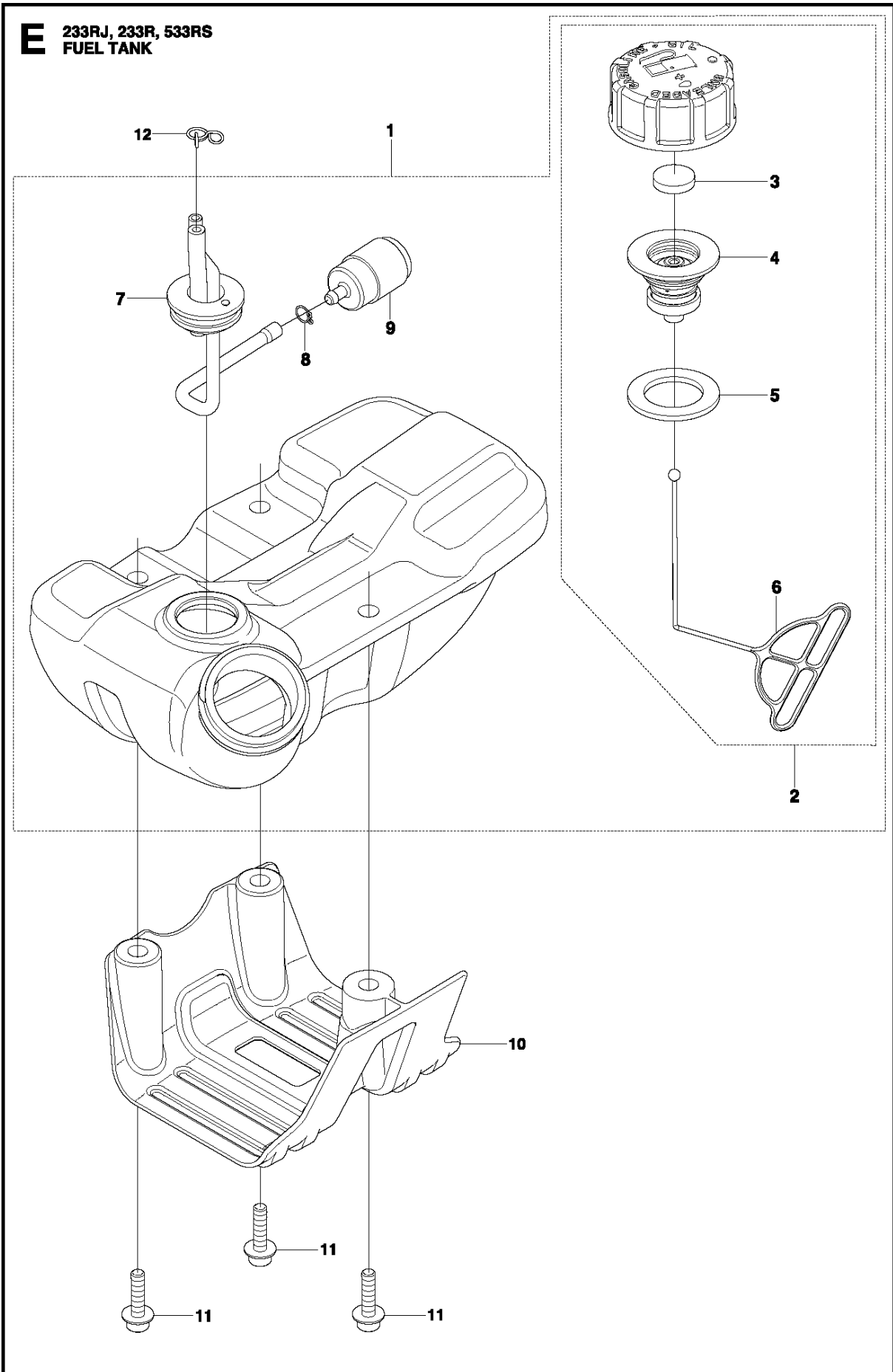
Ref	Part No	Description	Remark	QTY KIT	
1	521 65 32-01	BRACKET		1	
2	528 81 75-01	HANDLE		1	
4	528 81 74-01	HANDLE		1	
5	521 53 87-01	PROTECTION		1	
6	575 96 06-01	NUT		1	
7	537 17 28-02	HANDLE		1	
8	510 90 94-01	BOLT		1	
9	537 17 29-01	COVER		1	
10	514 39 55-01	BRACKET		1	1
11	514 39 56-01	CAP		1	1
12	505 29 49-01	CAP		1	1
13	504 11 43-01	SCREW		2	1
14	512 84 57-01	BOLT		4	1



THROTTLE CONTROLS

233 R, 2011-07

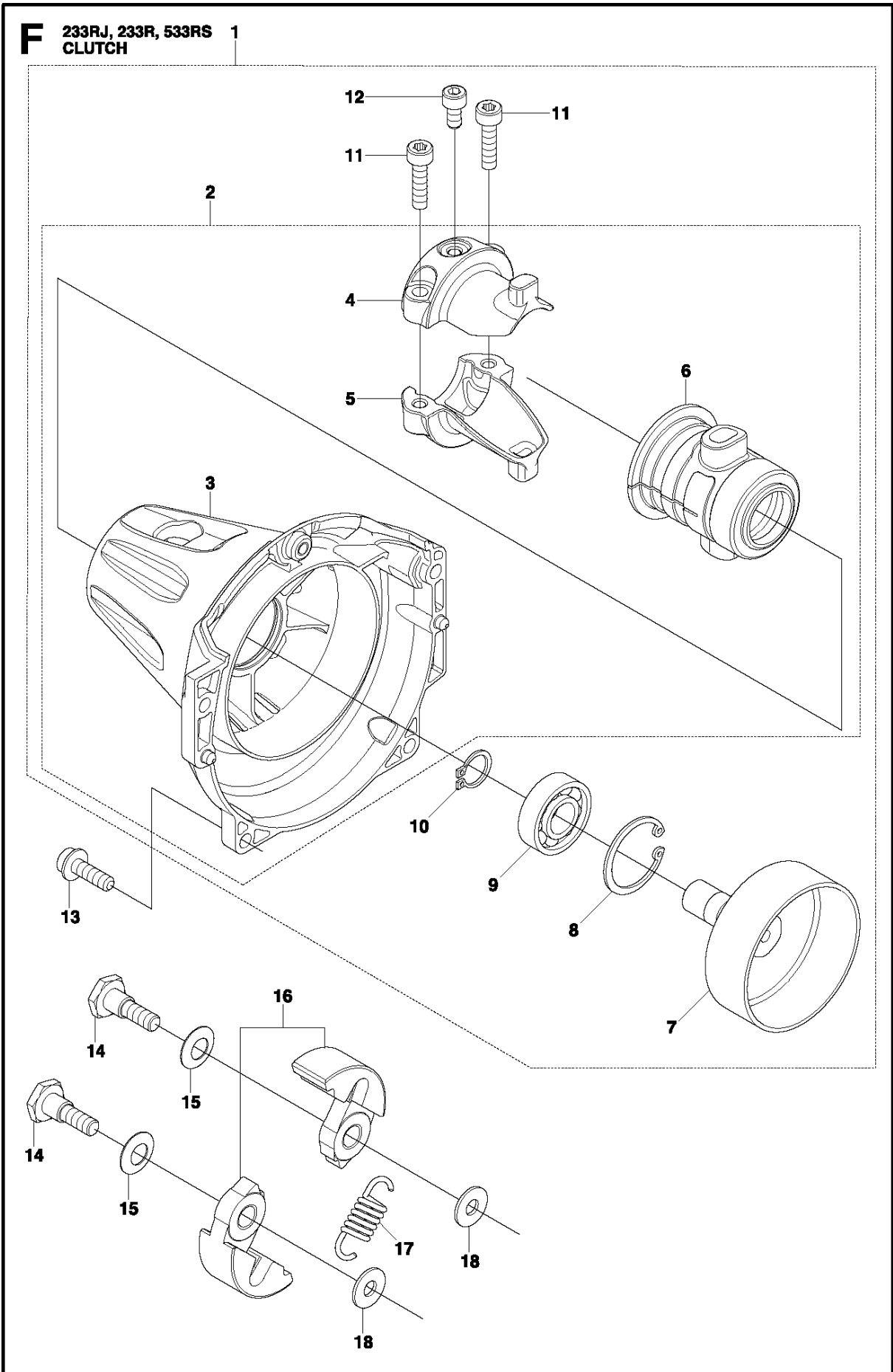
Ref	Part No	Description	Remark	QTY	KIT
1	522 52 07-01	THROTTLE CONTROL		1	
2	522 03 66-01	THROTTLE CABLE ASSY		1	1
3	537 42 45-13	HANDLE ASSY		1	1
4	503 22 10-13	HEXAGON NUT		1	1,3
5	537 16 02-03	HANDLE HALF		1	1,3
6	503 71 82-01	SWITCH		1	1,3
7	537 17 42-01	SPRING THROTTLE TRIG		1	1,3
8	537 16 07-03	THROTTLE LOCKOUT		1	1,3
9	506 49 77-01	THROTTLE CONTROL		1	1,3
10	537 17 43-01	SPRING		1	1,3
11	537 16 03-01	HANDLE HALF		1	1,3
12	503 21 66-74	SCREW IHSCF		2	1,3
13	503 20 07-82	SCREW IHSCFM		1	1,3



FUEL TANK

233 R, 2011-07

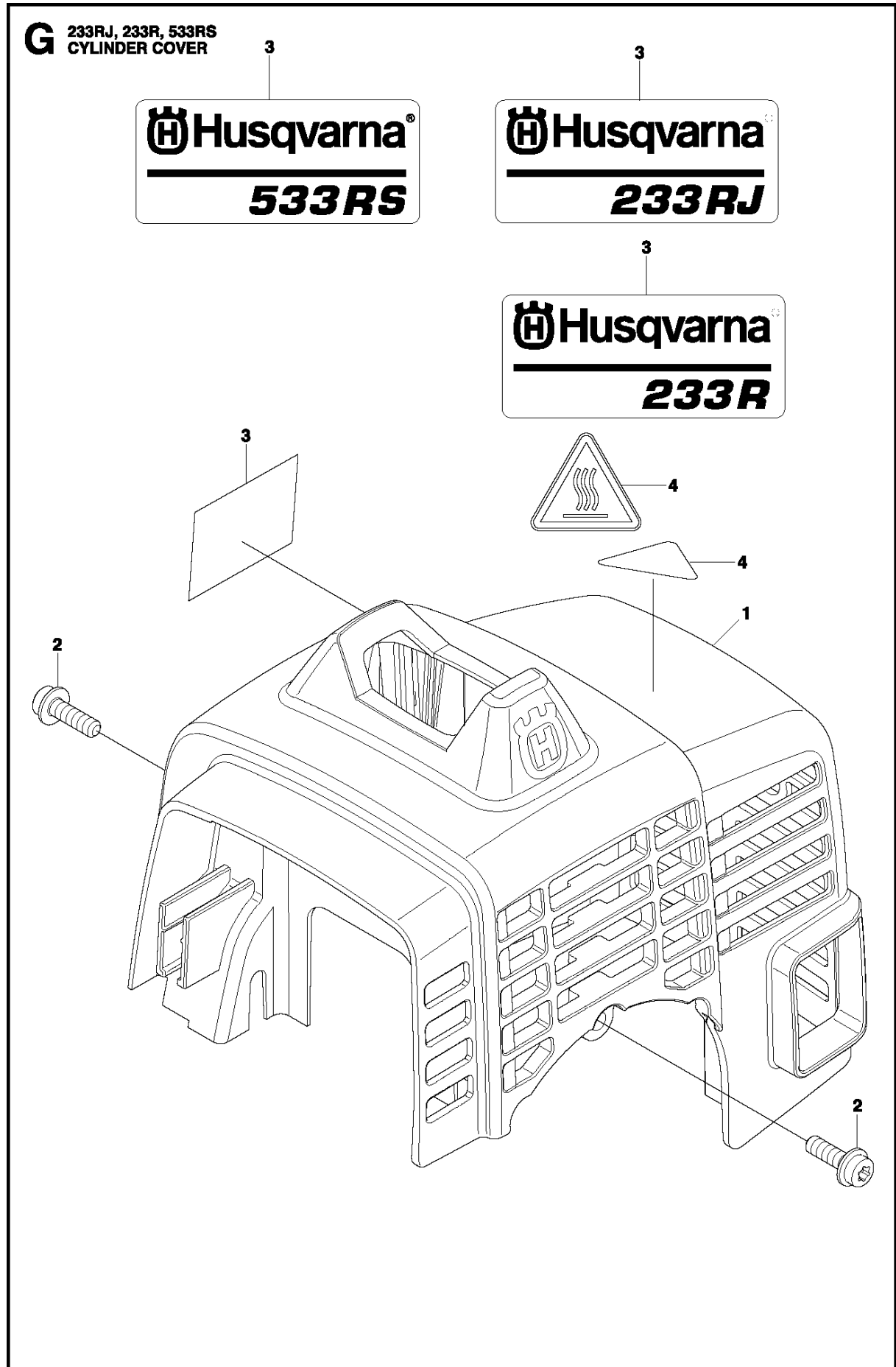
Ref	Part No	Description	Remark	QTY	KIT
1	528 07 12-01	TANK		1	
2	505 30 96-01	CAP		1	1
3	506 74 68-01	FILTER		1	1,2
4	515 36 94-01	HOLDER		1	1,2
5	506 74 43-01	PACKING		1	1,2
6	506 74 58-01	STOPPER		1	1,2
7	521 61 66-01	PIPE-COMP		1	1
8	506 70 70-01	CLIP		1	1
9	506 61 46-01	FILTER		1	1
10	528 06 97-01	GUARD		1	
11	512 84 56-01	BOLT		3	
12	506 74 15-01	CLIP		1	



CLUTCH

233 R, 2011-07

Ref	Part No	Description	Remark	QTY	KIT
1	528 07 10-01	HOUSING		1	
2	521 75 51-01	HOUSING		1	1
3	521 75 52-01	HOUSING		1	1, 2
4	521 76 82-01	BRACKET		1	1, 2
5	521 76 83-01	BRACKET		1	1, 2
6	512 36 05-01	ANTIVIBRATION ELEMENT		1	1, 2
7	521 60 98-01	DRUM		1	1
8	506 60 99-01	SNAP RING		1	1
9	525 95 32-01	BEARING		1	1
10	516 12 41-01	SNAP RING		1	1
11	504 11 43-01	SCREW		2	
12	529 26 81-01	BOLT		1	
13	515 39 13-01	BOLT		4	
14	513 18 96-01	SCREW		2	
15	513 18 95-01	WASHER		2	
16	515 38 91-01	SHOE		1	
17	515 38 93-01	SPRING		1	
18	505 05 44-01	WASHER		2	

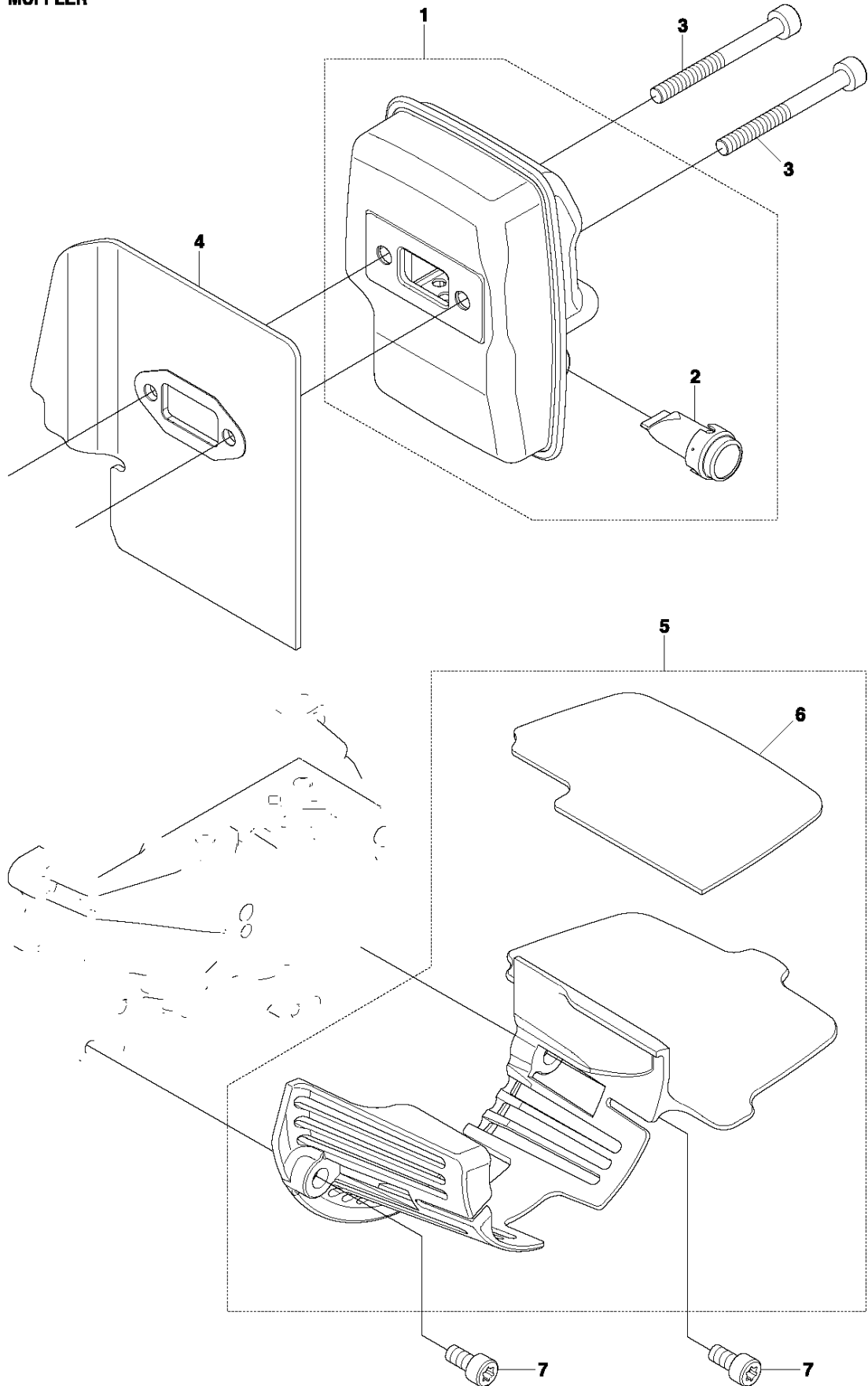


CYLINDER COVER

233 R, 2011-07

Ref	Part No	Description	Remark	QTY KIT
1	528 06 88-01	COVER		1
2	506 74 56-01	BOLT	233RJ	1
2	574 71 08-01	BOLT	233R, 533RS	1
3	578 42 07-01	DECAL	533RS	1
3	528 80 06-01	LABEL,NAME	233RJ	1
3	577 97 04-01	DECAL	233RJ	1
4	521 55 36-01	LABEL		1

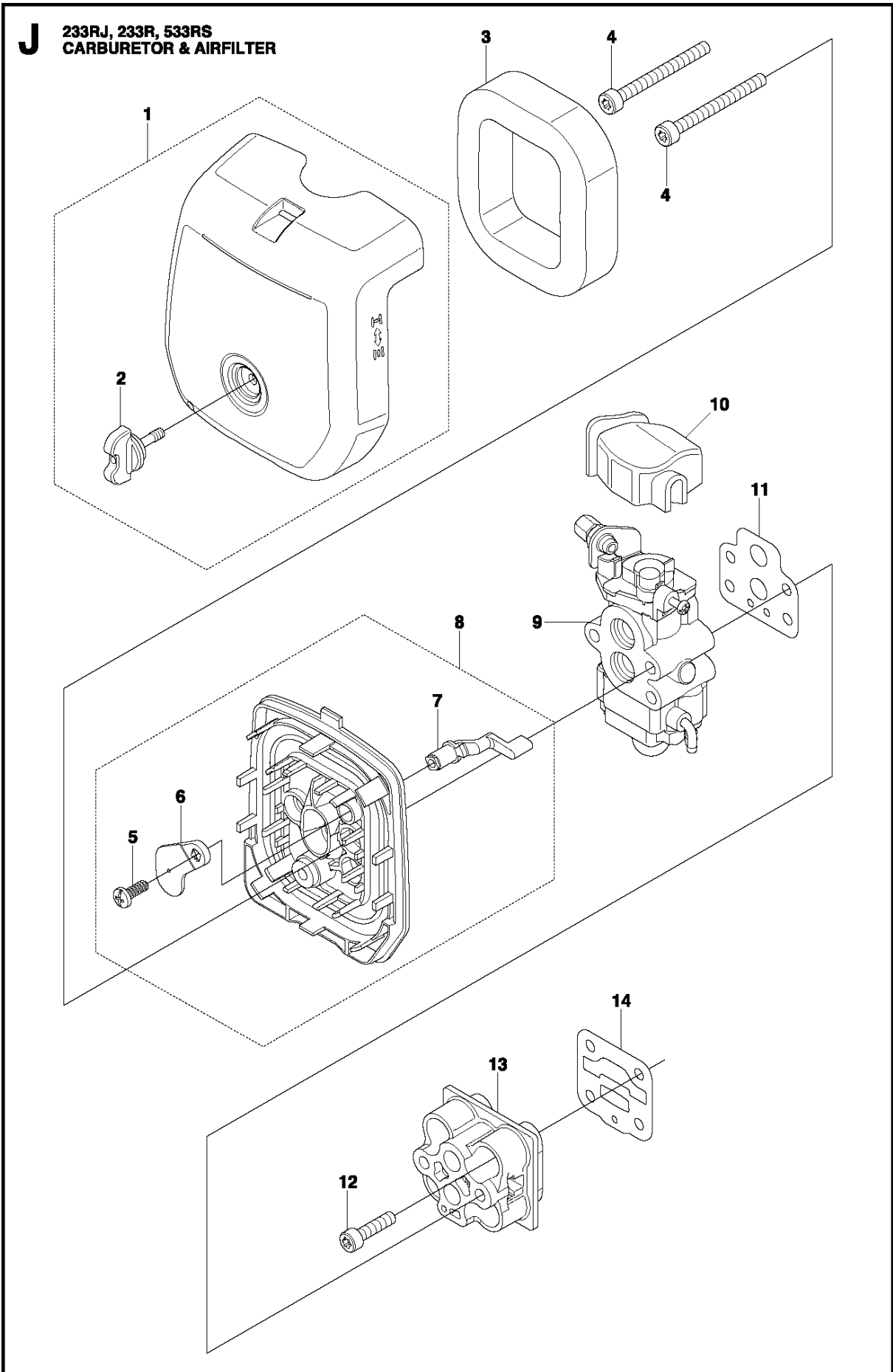
H 233RJ, 233R, 533RS
MUFFLER



MUFFLER

233 R, 2011-07

Ref	Part No	Description	Remark	QTY	KIT
1	575 58 42-01	MUFFLER	233RJ AUS	1	
1	511 38 68-01	MUFFLER	233RJ, 233R, 533RS	1	
2	506 61 56-01	ARRESTER	233RJ AUS	1	1
3	504 11 65-01	SCREW		2	
4	528 07 03-01	GASKET		1	
5	521 61 52-01	PLATE		1	
6	521 61 54-01	SHEET		2	5
7	504 11 96-01	SCREW		2	

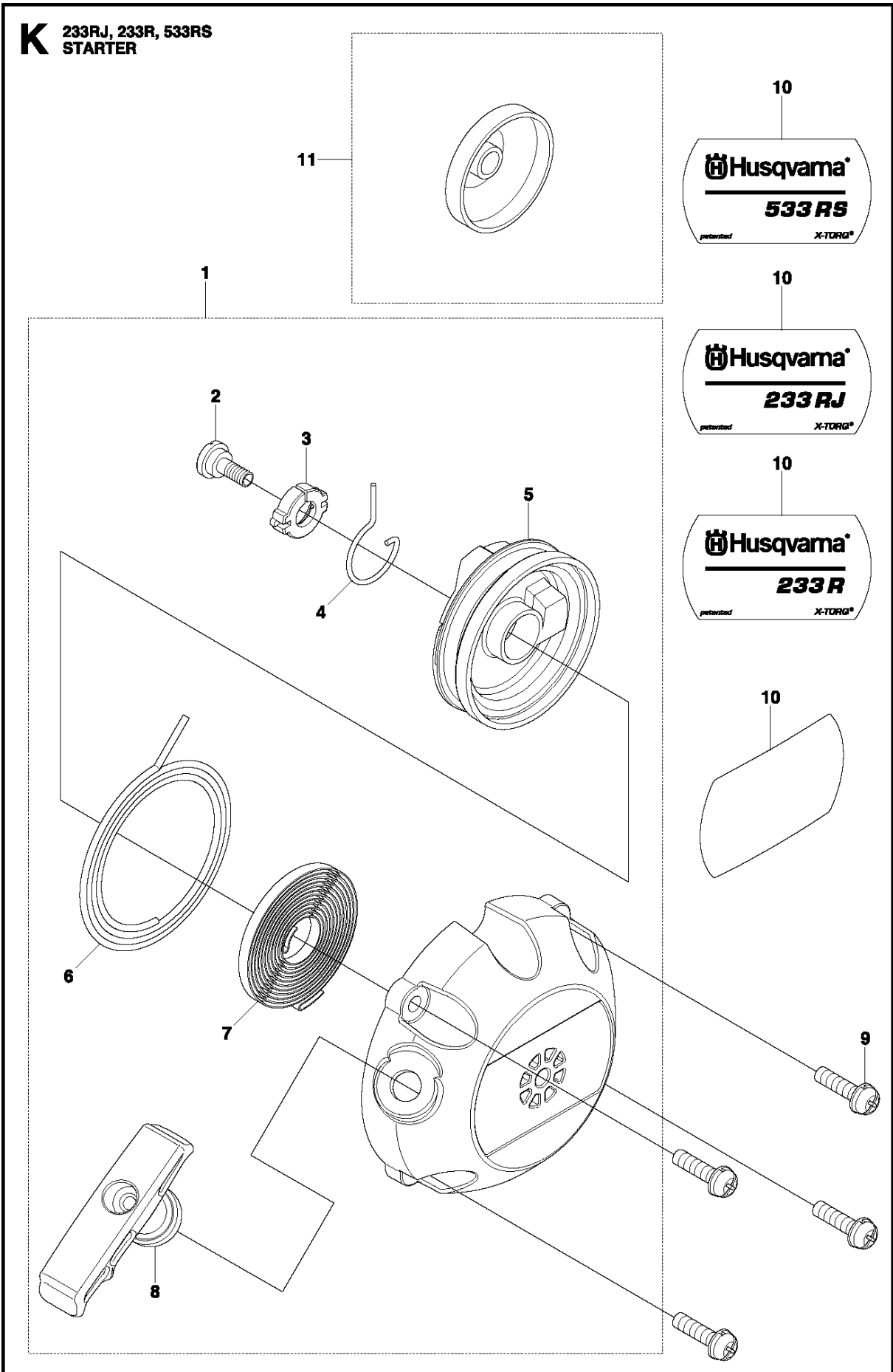


CARBURETOR & AIR FILTER

233 R, 2011-07

Ref	Part No	Description	Remark	QTY	KIT
1	528 06 95-01	COVER		1	
2	523 07 13-01	KNOB		1	
3	512 32 96-01	AIR FILTER		1	
4	504 11 65-01	SCREW		2	
5	506 67 38-01	SCREW		1	8
6	515 38 65-01	PLATE.CHOKE		1	8
7	521 76 05-01	LEVER CHOKE		1	8
8	528 06 94-01	BODY		1	
9	577 46 26-01	CARBURETTOR	233R, 533RS	1	
9	528 06 92-01	CARBURETOR-A	233RJ	1	
10	506 74 42-01	COVER		1	
11	521 75 50-01	GASKET		1	
12	505 04 04-01	BOLT		4	
13	528 07 37-01	INSULATOR		1	
14	528 07 02-01	GASKET		1	

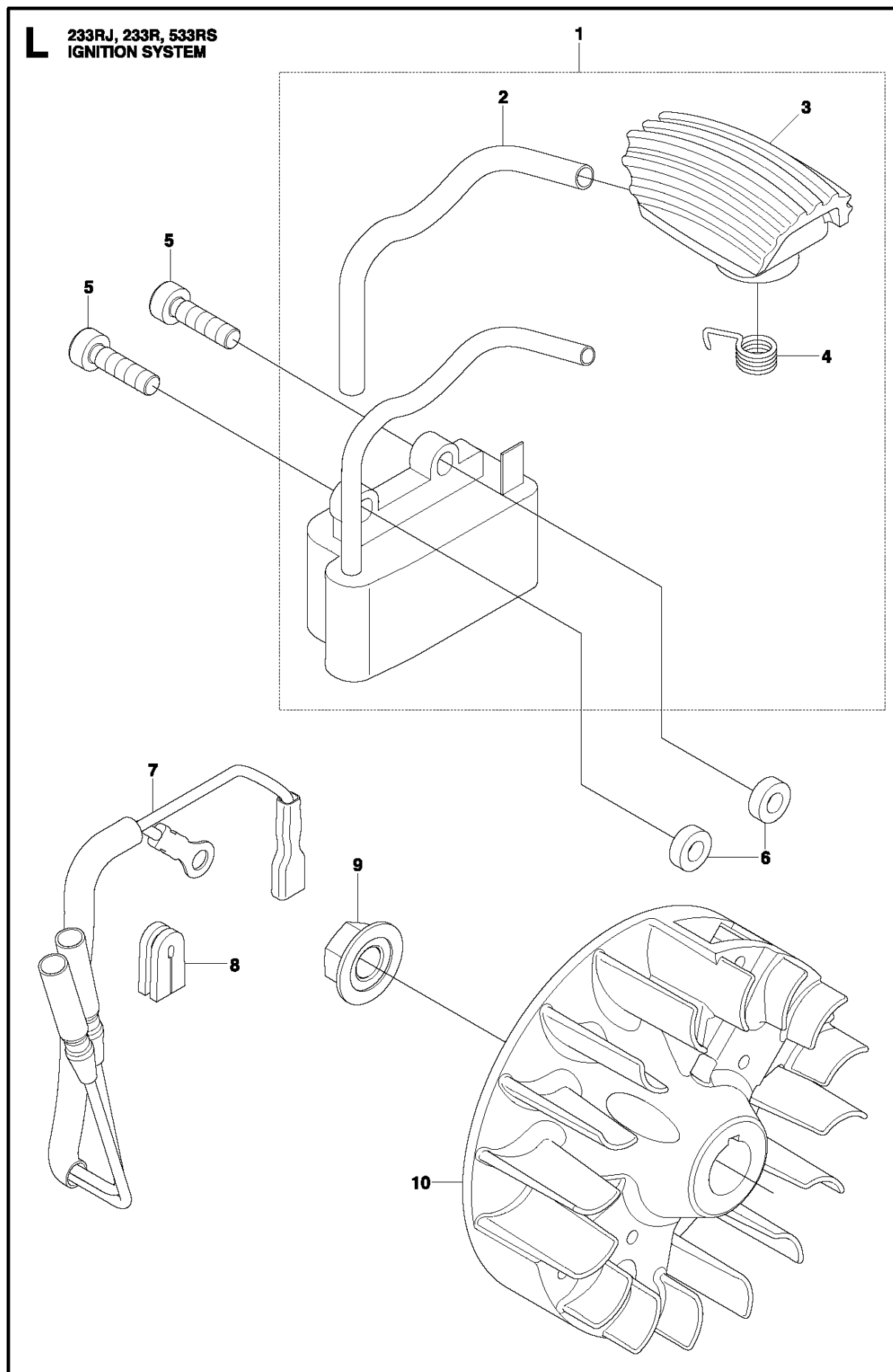
K 233RJ, 233R, 533RS
STARTER



STARTER

233 R, 2011-07

Ref	Part No	Description	Remark	QTY	KIT
1	528 06 90-01	STARTER ASSY		1	
2	515 36 71-01	SCREW		1	1
3	504 11 46-01	COLLAR		1	1
4	504 11 48-01	ARM		1	1
5	504 11 47-01	REEL		1	1
6	504 11 49-01	ROPE		1	1
7	504 11 50-01	SPIRAL SPRING		1	1
8	521 61 79-01	KNOB		1	1
9	506 74 56-01	BOLT		4	
10	578 42 08-01	DECAL	533RS	1	
10	577 97 03-01	DECAL	233R	1	
10	528 06 98-01	LABEL,RECOIL	233RJ	1	
11	504 11 44-01	PULLEY		1	

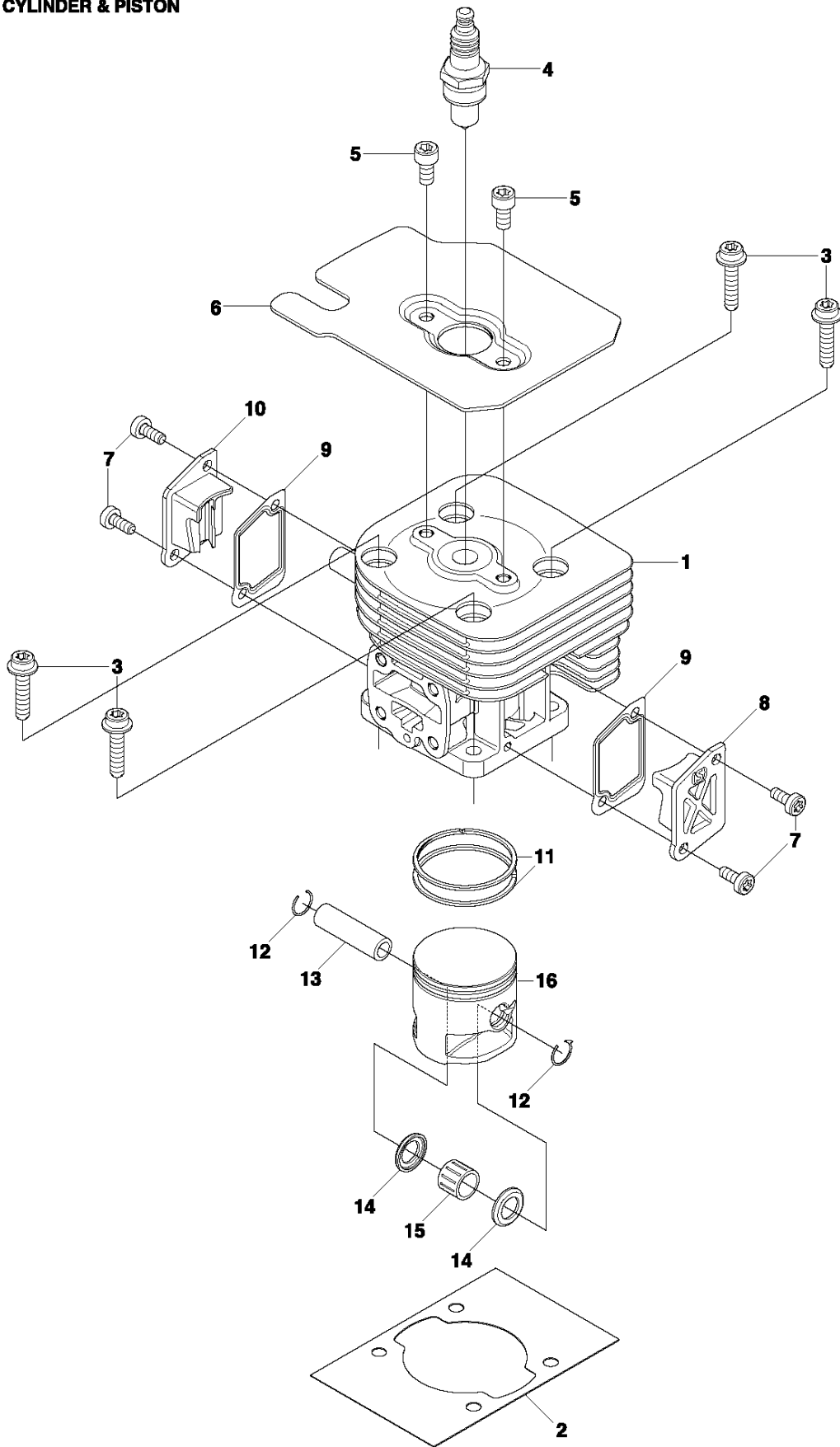


IGNITION SYSTEM

233 R, 2011-07

Ref	Part No	Description	Remark	QTY	KIT
1	574 62 53-01	COIL	233R, 533RS	1	
1	512 33 20-01	COIL	233RJ	1	
2	506 61 82-01	TUBE	233R, 533RS	1	
2	513 76 47-01	TUBE	233RJ	1	
3	521 61 00-01	HUB CAP		1	1
4	506 65 52-01	SPRING	233R, 533RS	1	
4	521 73 95-01	SPRING	233RJ	1	
5	506 74 57-01	BOLT		2	
6	504 11 86-01	SPACER		2	
7	512 32 86-01	CORD		1	
8	506 61 59-01	GROMMET		1	
9	504 11 80-01	NUT		1	
10	521 76 93-01	ROTOR		1	

M 233RJ, 233R, 533RS
CYLINDER & PISTON

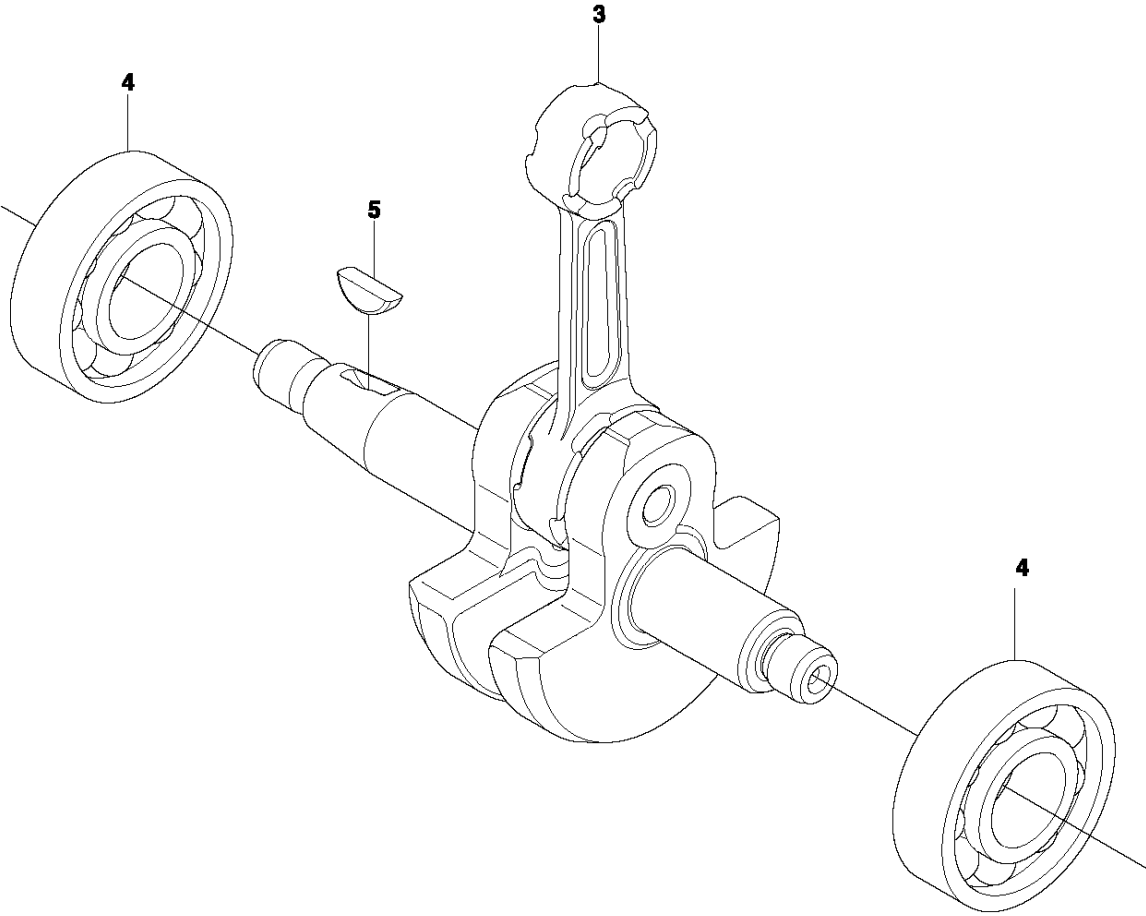


CYLINDER PISTON

233 R, 2011-07

Ref	Part No	Description	Remark	QTY KIT
1	528 07 33-01	CYLINDER		1
2	504 11 91-01	GASKET		1
3	505 04 04-01	BOLT		4
4	528 07 40-01	SPARK PLUG		1
5	504 11 96-01	SCREW		2
6	576 81 06-01	PLATE	233R, 533RS	1
6	528 06 87-01	PLATE,CYLINDER	233RJ	1
7	504 11 92-01	SCREW		4
8	521 61 45-01	COVER		1
9	521 61 48-01	GASKET		2
10	521 61 47-01	COVER		1
11	521 75 54-01	RING		2
12	504 12 09-01	SNAP RING		2
13	504 12 06-01	PISTON PIN		1
14	504 12 02-01	WASHER		2
15	504 12 01-01	BEARING		1
16	528 07 38-01	PISTON		1

N 233RJ, 233R, 533RS
CRANK SHAFT

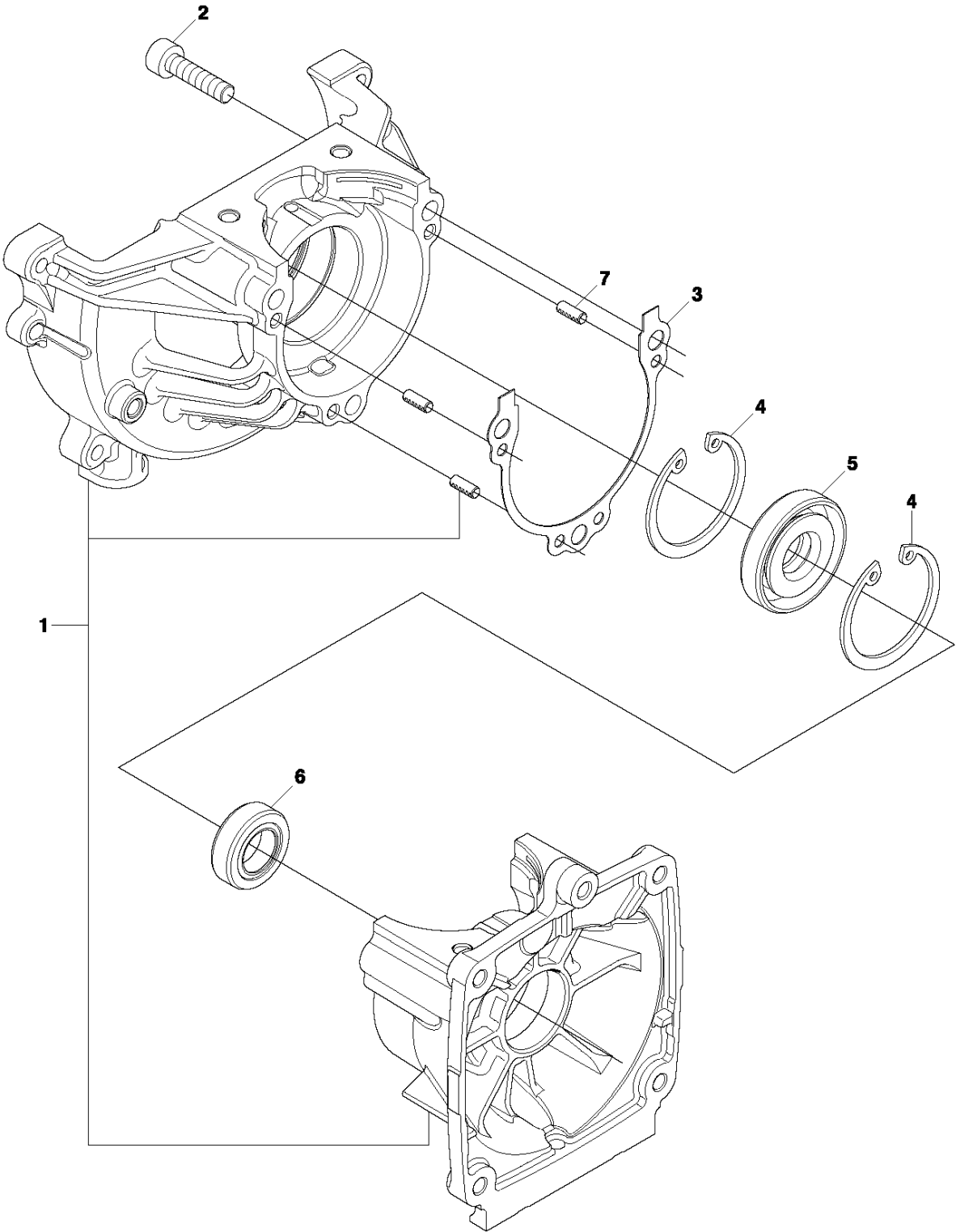


CRANKSHAFT

233 R, 2011-07

Ref	Part No	Description	Remark	QTY KIT
3	521 61 60-01	SHAFT-COMP		1
4	504 12 14-01	BEARING		2
5	506 68 94-01	KEY		1

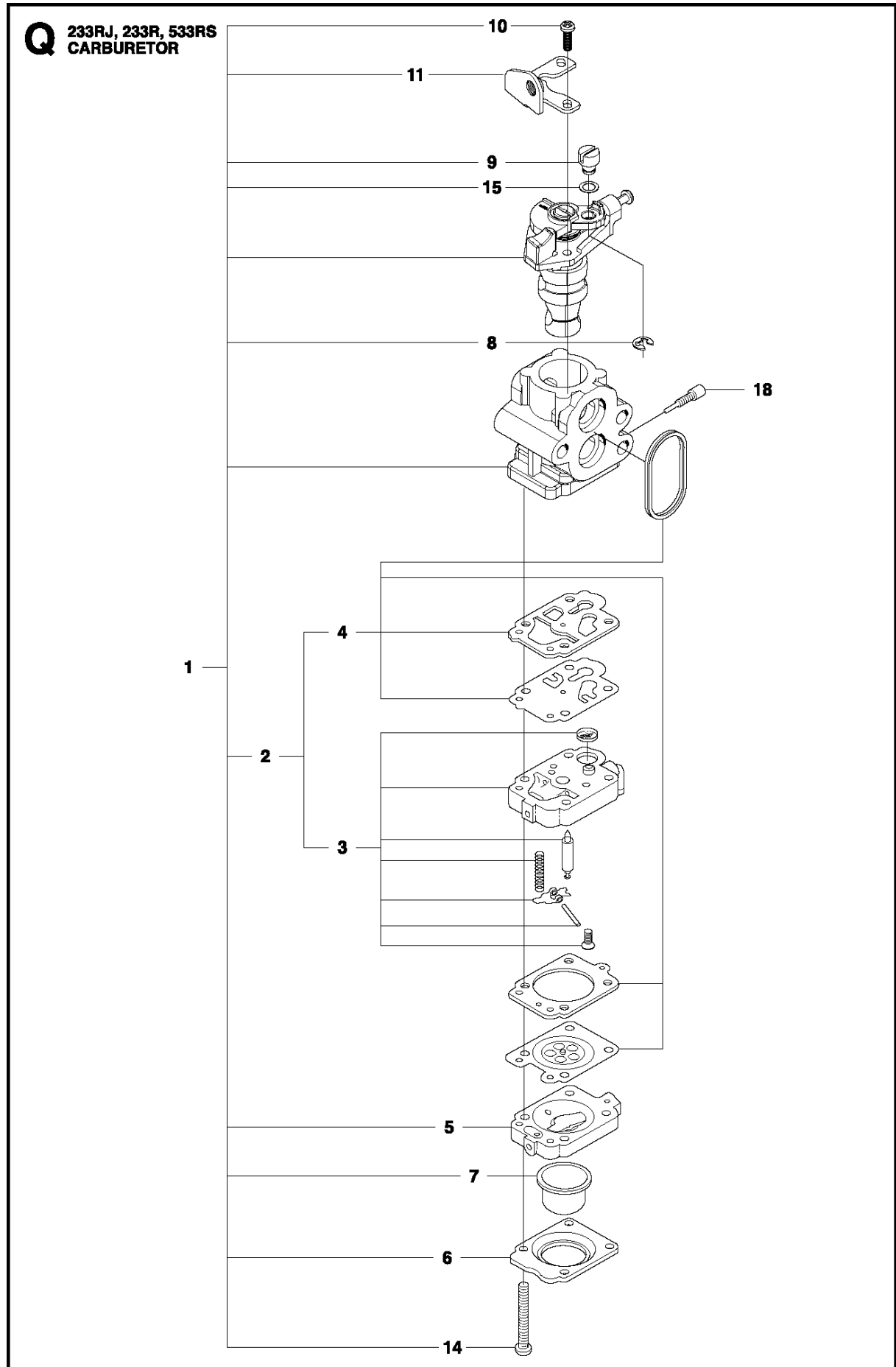
P 233RJ, 233R, 533RS
CRANKCASE



CRANKCASE

233 R, 2011-07

Ref	Part No	Description	Remark	QTY KIT
1	521 61 55-01	CASE-COMP		1
2	504 11 43-01	SCREW		3
3	504 12 12-01	GASKET		1
4	504 12 10-01	SNAP RING		2
5	505 29 67-01	SEAL		1
6	504 12 15-01	SEALING		1
7	505 29 61-01	PIN		3

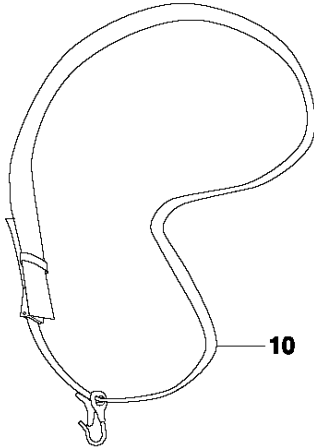
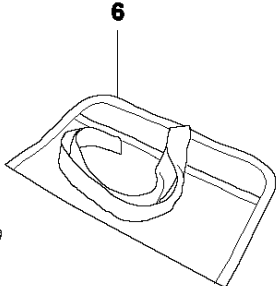
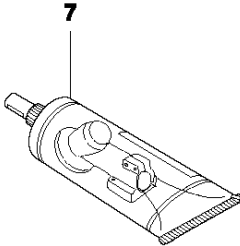
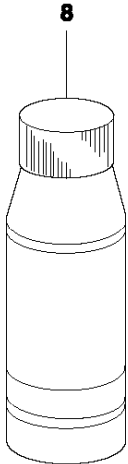
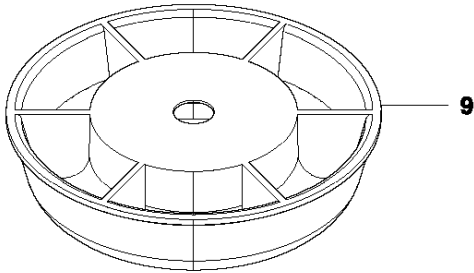
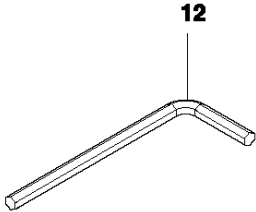
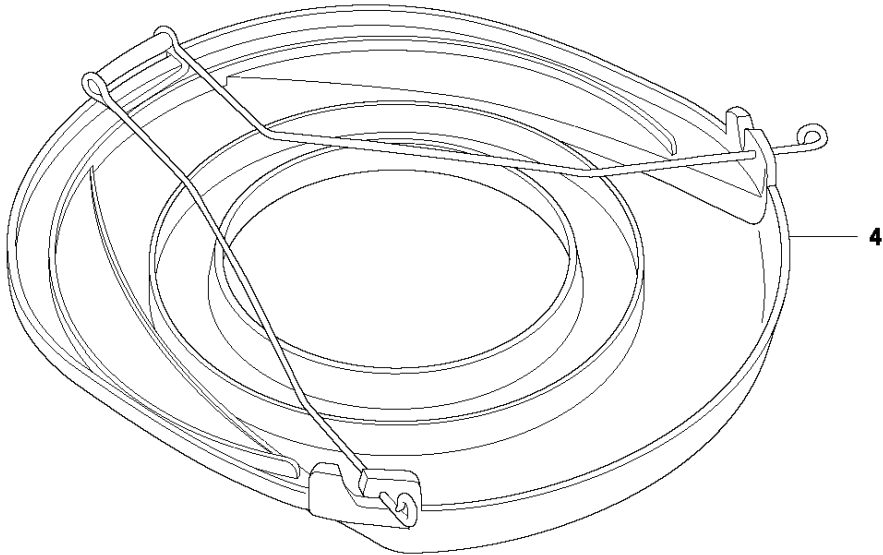
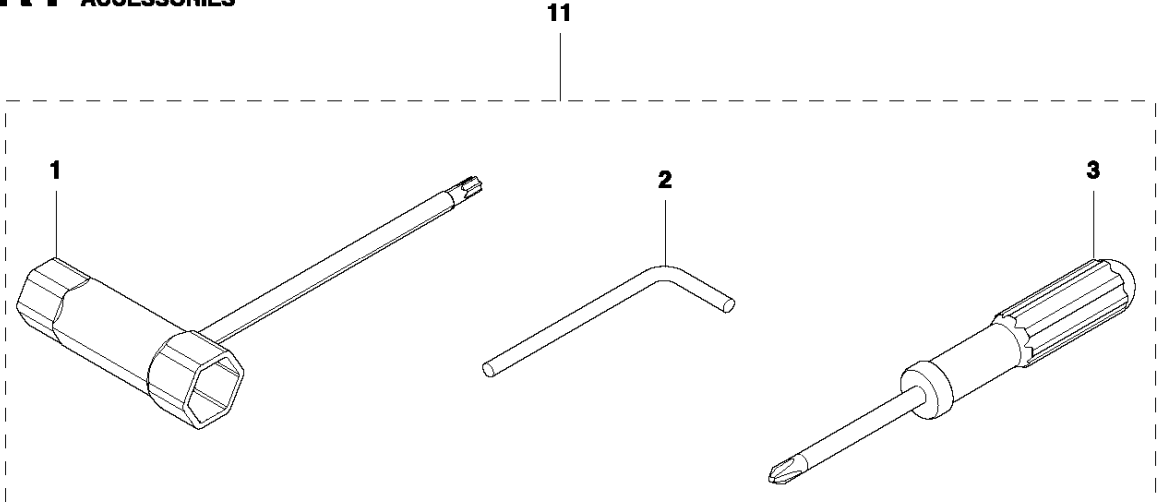


CARBURETOR

233 R, 2011-07

Ref	Part No	Description	Remark	QTY	KIT
1	528 06 92-01	CARBURETOR-A	233RJ	1	
1	577 46 26-01	CARBURETTOR	233R, 533RS	1	
2	528 07 01-01	GASKET KIT		1	1
3	502 23 84-01	CARBURETTOR BODY		1	1,2
4	515 37 87-01	GASKET KIT		1	1,2
5	506 74 09-01	BODY		1	1
6	506 74 10-01	COVER		1	1
7	505 30 67-01	PUMP		1	1
8	506 73 86-01	RETAINER RING		1	1
9	506 74 12-01	SWIVEL		1	1
10	505 30 79-01	SCREW		1	1
11	506 74 60-01	BRACKET		1	1
14	506 74 11-01	SCREW		4	1
15	506 74 61-01	WASHER		1	1
18	511 35 14-01	NEEDLE		1	

R1 233RJ, 233R, 533RS
ACCESSORIES

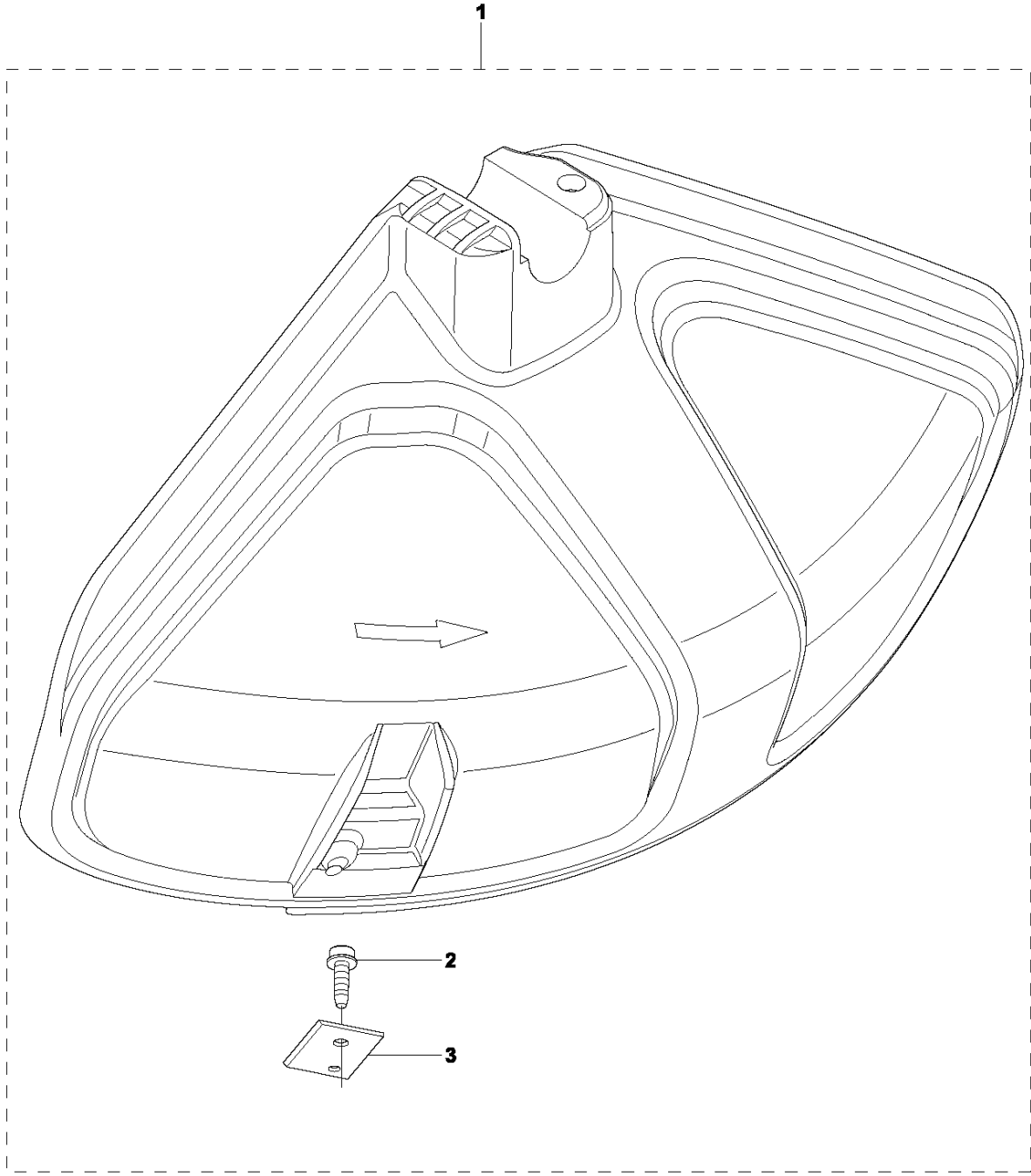


ACCESSORIES

233 R, 2011-07

Ref	Part No	Description	Remark	QTY	KIT
1	506 68 61-01	COMBINATION WRENCH		1	11
2	505 31 20-01	TOOL		1	11
3	506 68 95-01	DRIVER		1	11
4	537 31 29-01	TRANSPORT GUARD		1	
6	501 19 22-01	TOOL		1	
7	503 97 64-01	GREASE		1	
8	531 00 92-48	FILTER OIL		1	
9	503 89 01-01	SUPPORT CUP		1	
10	537 21 62-01	HARNES	233RJ	1	
11	529 26 53-01	TOOL SET		1	
12	505 31 19-01	WRENCH		1	

R2 233RJ, 233R, 533RS
ACCESSORIES

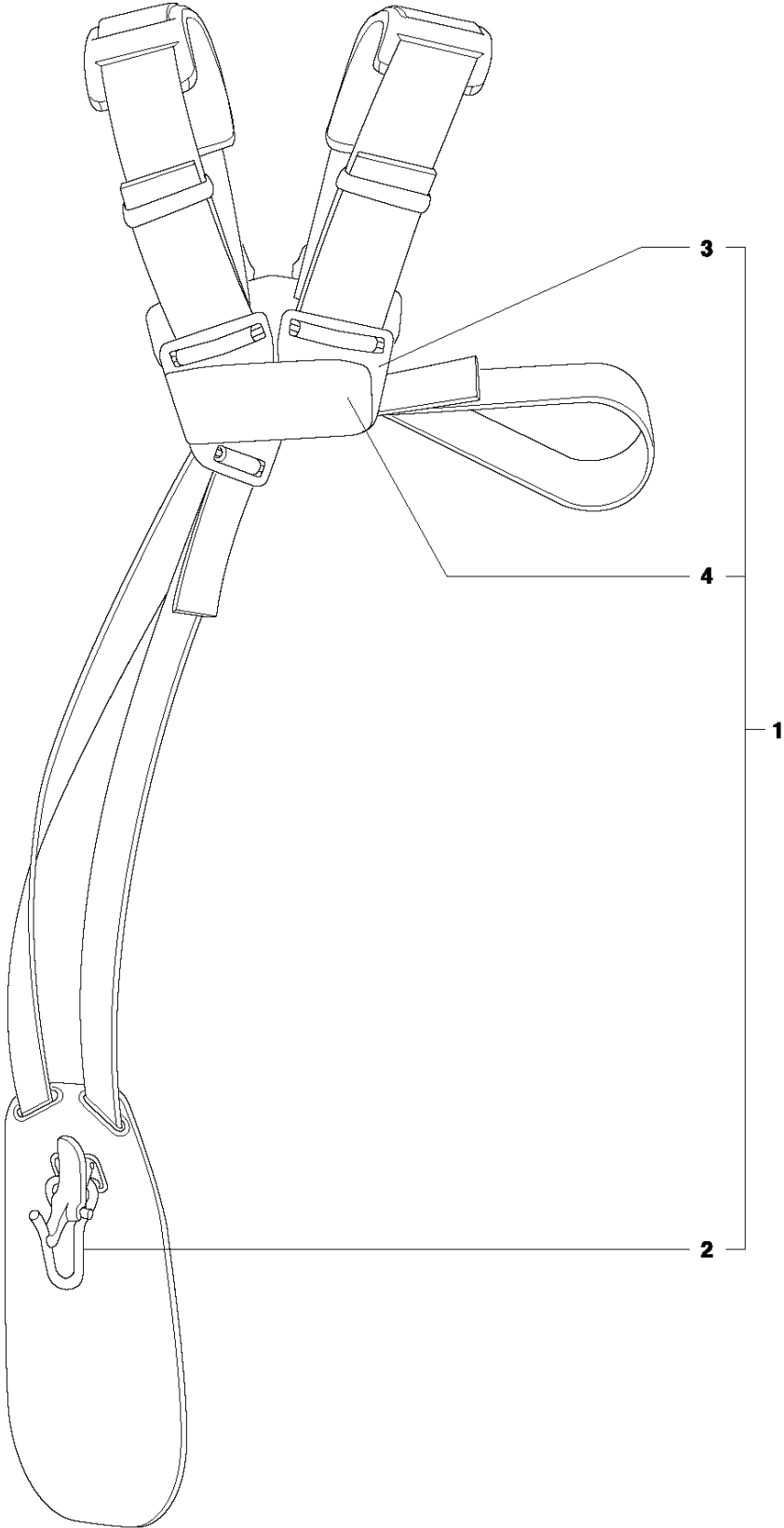


ACCESSORIES

233 R, 2011-07

Ref	Part No	Description	Remark	QTY	KIT
1	503 93 42-02	COMBINATION GUARD		1	
2	503 21 07-16	SCREW IHST		1	1
3	503 79 88-01	BLADE		1	1

S 233R, 533RS
HARNESS



Ref	Part No	Description	Remark	QTY KIT	
1	537 21 63-01	HARNES		1	
2	502 02 28-02	WELT HOOK		1	1
3	503 73 40-01	FRONT PIECE		1	1
4	503 73 41-02	BUCKLE		1	1