

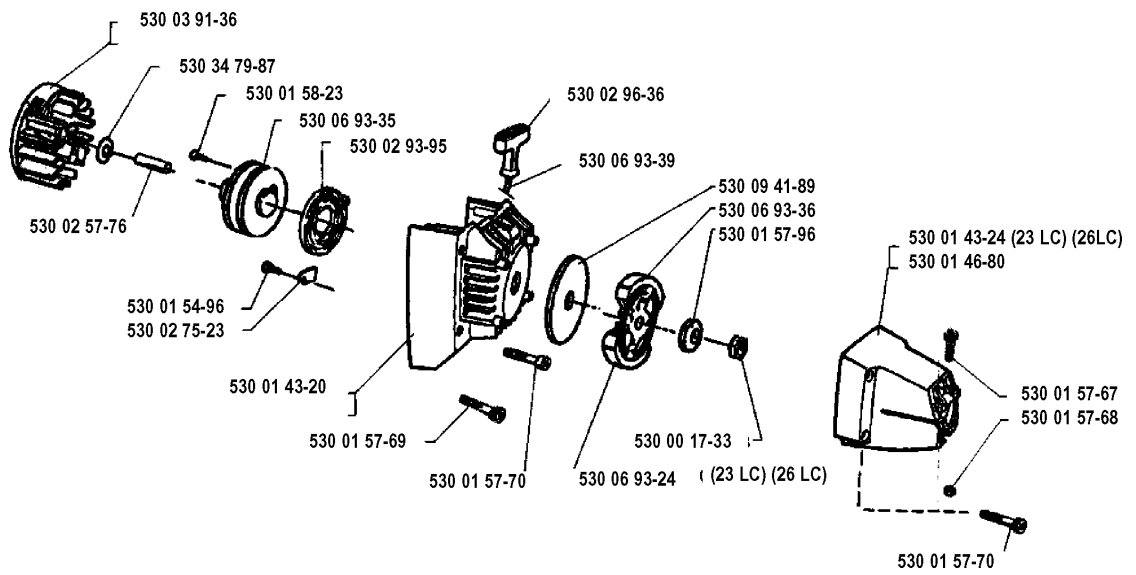


SPARE PARTS LIST

BRUSHCUTTERS/CLEARING SAWS

23 R 1993-05

A

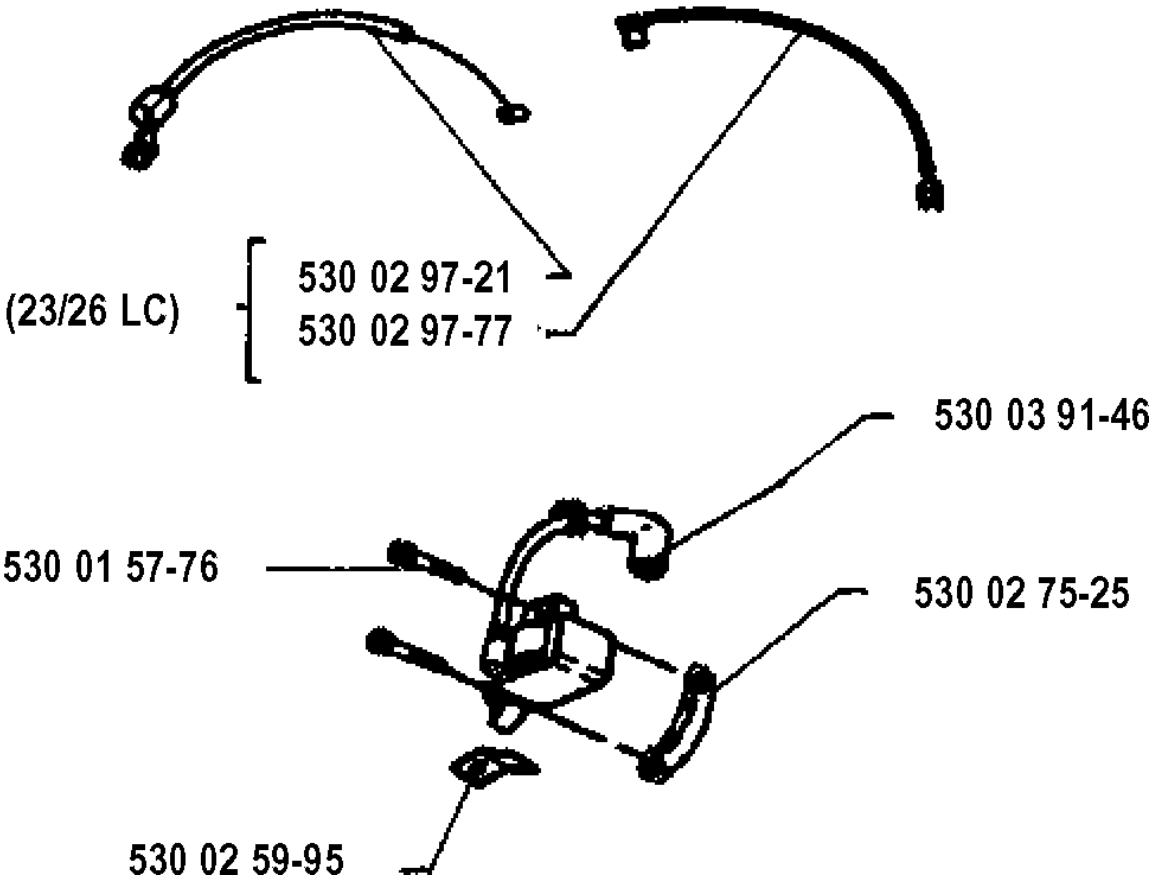


IGNITION SYSTEM & CLUTCH

23 R 1993-05

Part No	Description	Remark	QTY KIT
530 00 17-33	NUT		1
530 01 43-20	STARTER DEVICE		1
530 01 43-24	HOUSING	23 LC 26LC	1
530 01 46-80	CLUTCH COVER		1
530 01 54-96	SCREW		1
530 01 57-67	SCREW		1
530 01 57-68	NUT		1
530 01 57-69	SCREW		1
530 01 57-70	SCREW		1
530 01 57-70	SCREW		1
530 01 57-96	WASHER		1
530 01 58-23	SCREW CPL		1
530 02 57-76			1
530 02 75-23	RETAINER		1
530 02 93-95	RECOIL SPRING		1
530 02 96-36	HANDLE		1
530 03 91-36	FLYWHEEL ASSY		1
530 06 93-24	CLUTCH	23 LC 26 LC	1
530 06 93-35	STARTER PULLEY		1
530 06 93-36	CLUTCH		1
530 06 93-39	STARTER ROPE		1
530 09 41-89	WASHER		1
530 34 79-87	WASHER		1

B



IGNITION SYSTEM

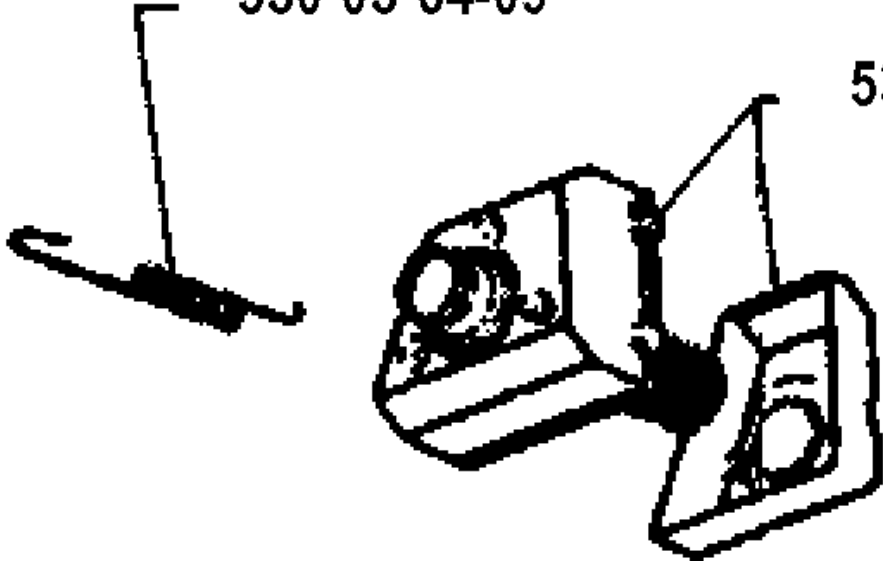
23 R 1993-05

Part No	Description	Remark	QTY KIT
530 01 57-76	SCREW		1
530 02 59-95	HOLDER		1
530 02 75-25	SPACER		1
530 02 97-21	THROTTLE WIRE	23/26 LC	1
530 02 97-77	CABLE KIT	23/26 LC	1
530 03 91-46	IGNITION MODULE		1

F

530 03 64-09

530 06 92-57



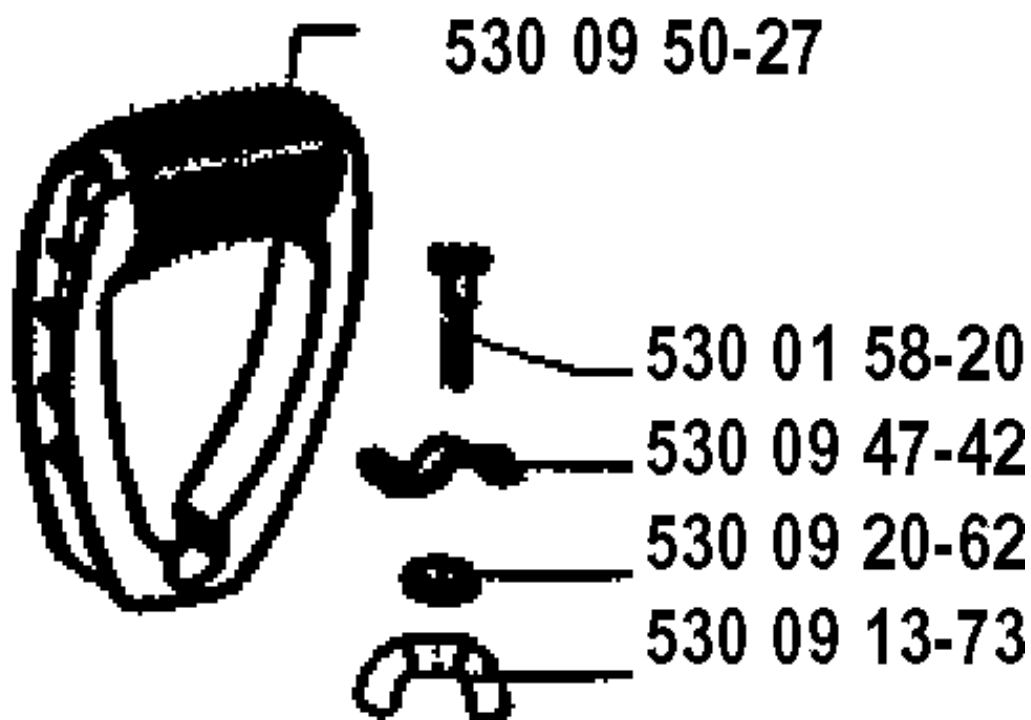
MUFFLER

23 R 1993-05

Part No	Description	Remark	QTY KIT
530 03 64-09	SPRING		1
530 06 92-57	MUFFLER KIT MAXI-TRIM SUPER		1

K

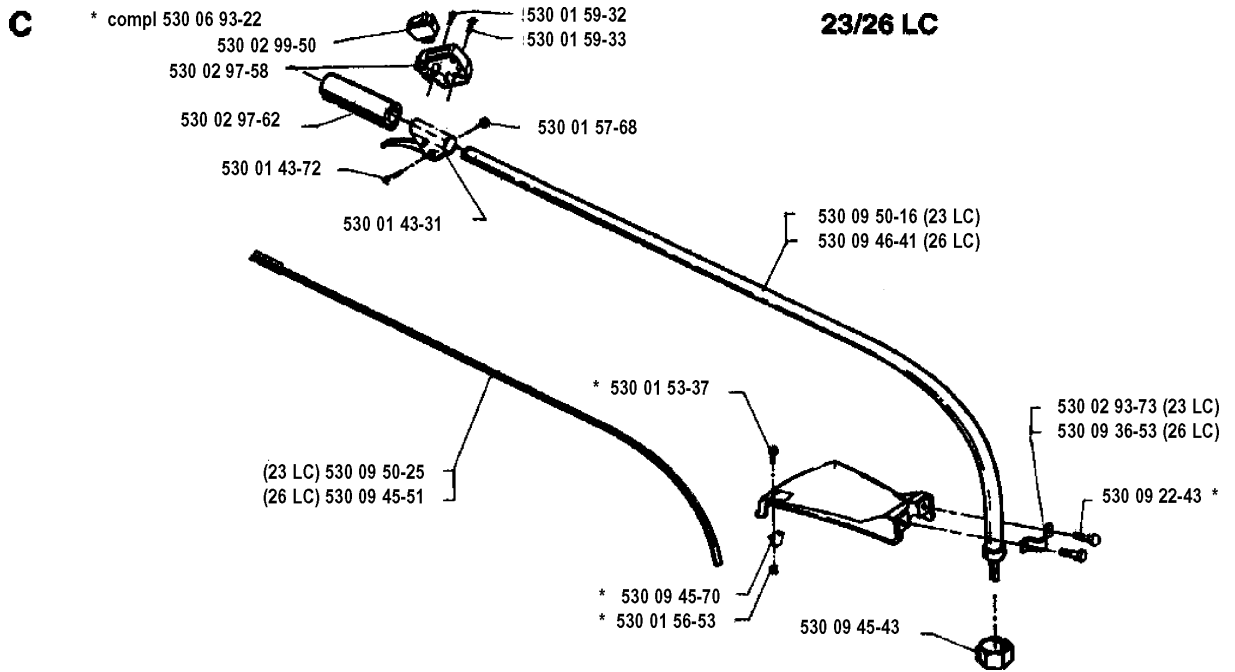
23 LC



HANDLE

23 R 1993-05

Part No	Description	Remark	QTY KIT
530 01 58-20	SCREW		1
530 09 13-73	WING NUT		1
530 09 20-62	WASHER		1
530 09 47-42	BRACKET		1
530 09 50-27	HANDLE		1

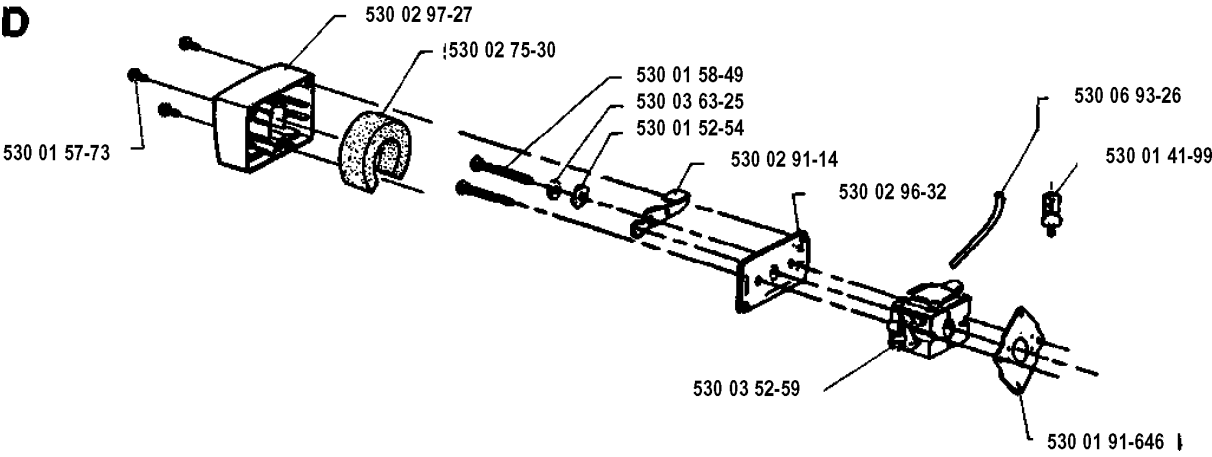


SHAFT

23 R 1993-05

Part No	Description	Remark	QTY KIT
530 01 43-31	THROTTLE HOUSING		1
530 01 43-72	THROTTLE HOUSING		1
530 01 53-37	SCREW		1
530 01 56-53	LOCKNUT		1
530 01 57-68	NUT		1
530 01 59-32	SCREW		1
530 01 59-33	SCREW		1
530 02 93-73	CLAMP	23 LC	1
530 02 97-58	COVER		1
530 02 97-62	HANDLE		1
530 02 99-50	STOP SWITCH		1
530 06 93-22	PROTECTOR		1
530 09 22-43	SCREW		1
530 09 36-53	BRACKET	26 LC	1
530 09 45-43	DRIVER		1
530 09 45-51	DRIVE SHAFT	26 LC	1
530 09 45-70	LINE LIMITER		1
530 09 46-41	TUBE	26 LC	1
530 09 50-16	TUBE	23 LC	1
530 09 50-25	SHAFT	23 LC	1

D



CARBURETOR & AIR FILTER

23 R 1993-05

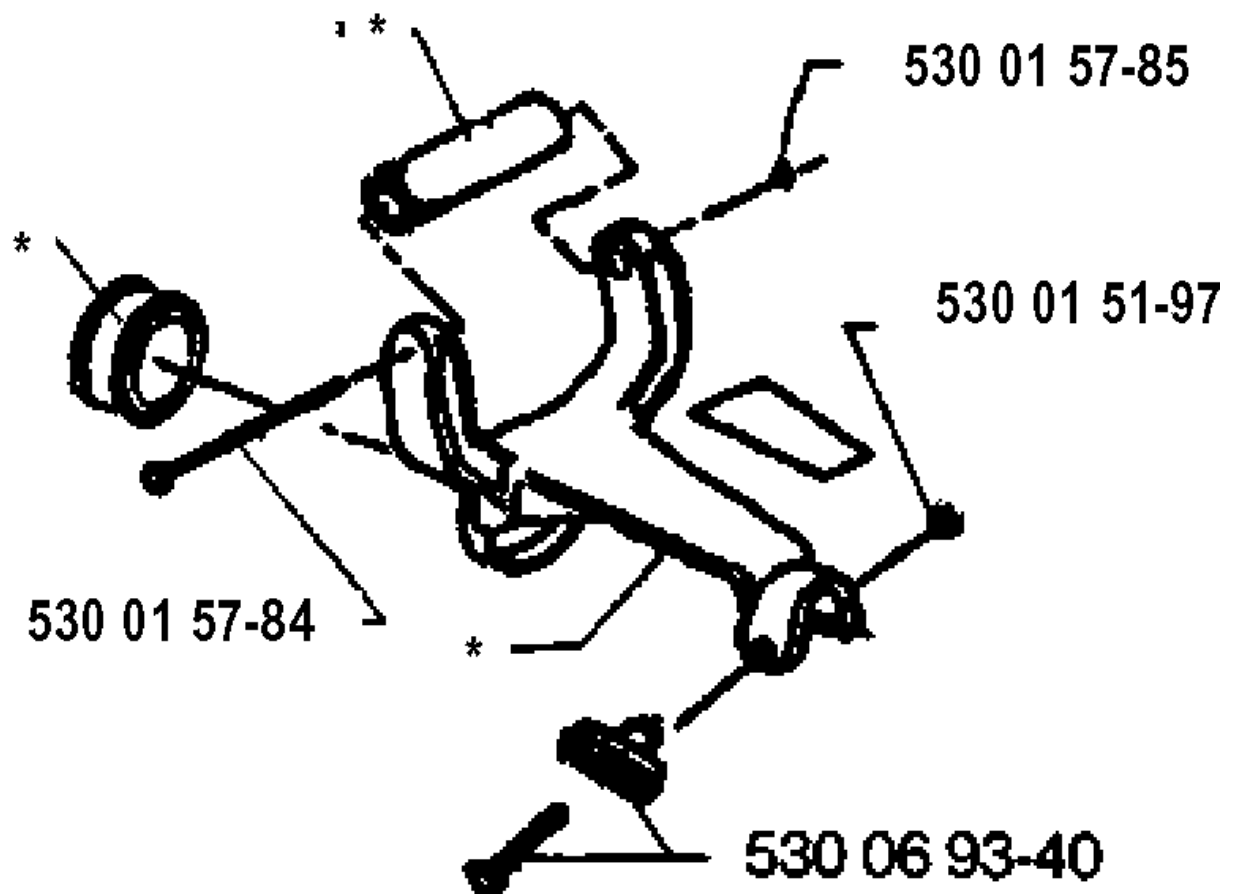
Part No	Description	Remark	QTY KIT
530 01 41-99	FUEL FILTER		1
530 01 52-54	SPRING		1
530 01 57-73	SCREW		1
530 01 58-49	SCREW		1
530 02 75-30	AIR FILTER		1
530 02 91-14	CHOKE SHUTTER		1
530 02 96-32	PLATE		1
530 02 97-27	AIR FILTER COVER		1
530 03 52-59	CARBURETTOR		1
530 03 63-25	SPACER		1
530 06 93-26	HOSE		1
5300 19 16-46			1

CYLINDER PISTON

23 R 1993-05

Part No	Description	Remark	QTY KIT
530 00 16-24	SCREW		1
530 01 22-44	CYLINDER	23 LC	1
530 01 22-47	CYLINDER		1
530 01 51-62	CIRCLIP		1
530 01 51-62	CIRCLIP		1
530 01 91-78	GASKET		1
530 02 64-13	PISTON RING		1
530 02 73-69	PISTON RING		1
530 06 92-40	PISTON ASSY		1
530 06 92-74	PISTON	23 LC	1

L * compl 530 09 50-34 **26 LC**

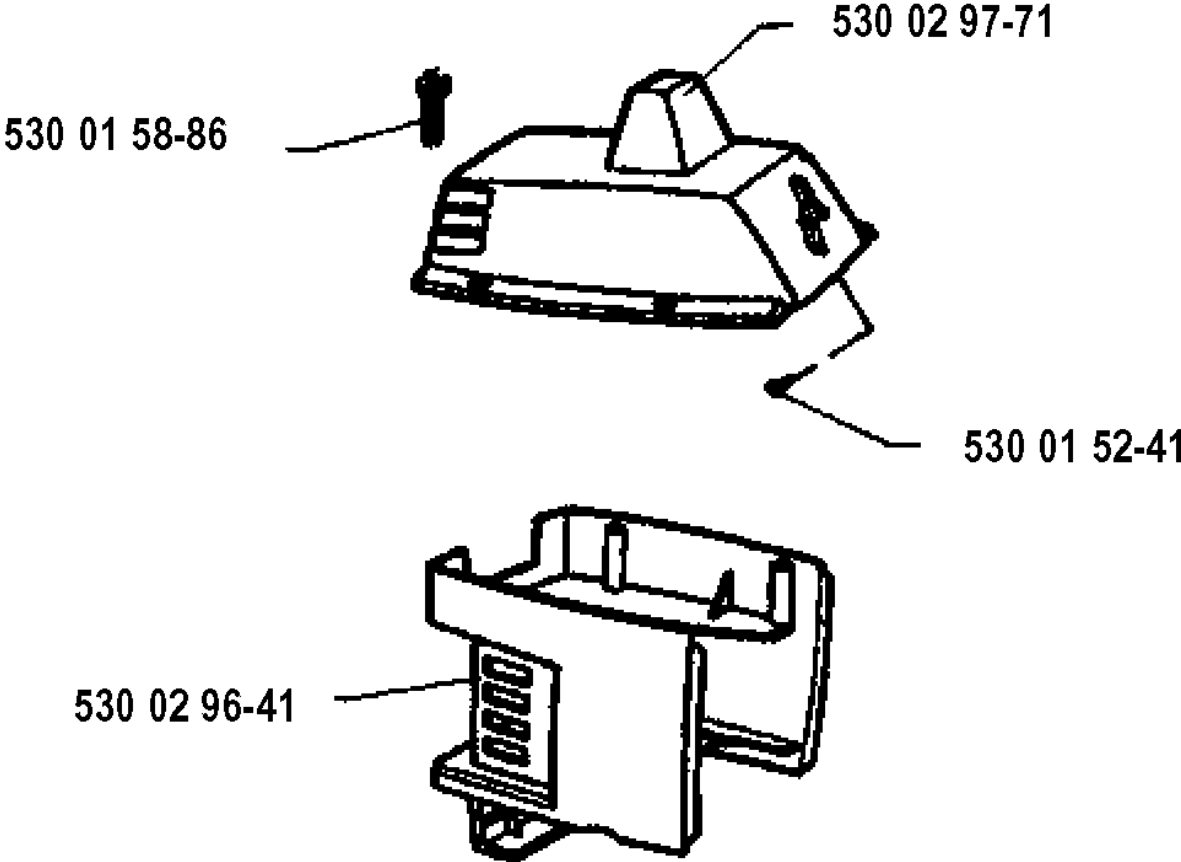


HANDLE

23 R 1993-05

Part No	Description	Remark	QTY KIT
530 01 51-97	NUT		1
530 01 57-84	SCREW		1
530 01 57-85	NUT		1
530 06 93-40	KNOB		1
530 09 50-34	HANDLE		1

G



COVER

23 R 1993-05

Part No	Description	Remark	QTY KIT
530 01 52-41	SCREW		1
530 01 58-86	SCREW		1
530 02 96-41	COVER		1
530 02 97-71	CYLINDER COVER		1

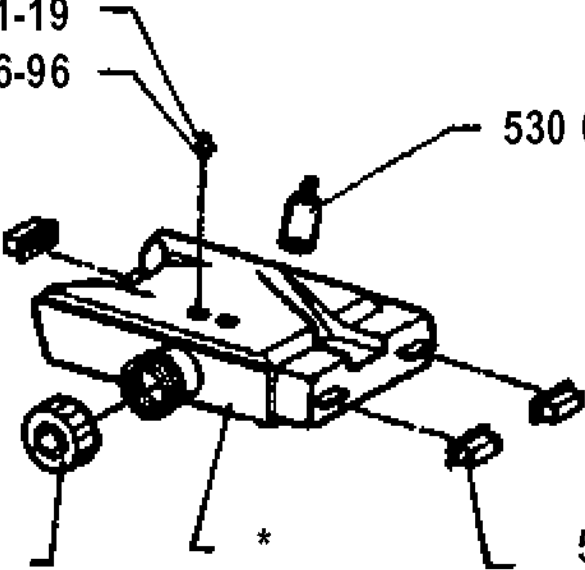
H

* compl 530 01 42-78

* 530 02 61-19

* 530 02 96-96

530 02 97-17 *



530 01 43-35

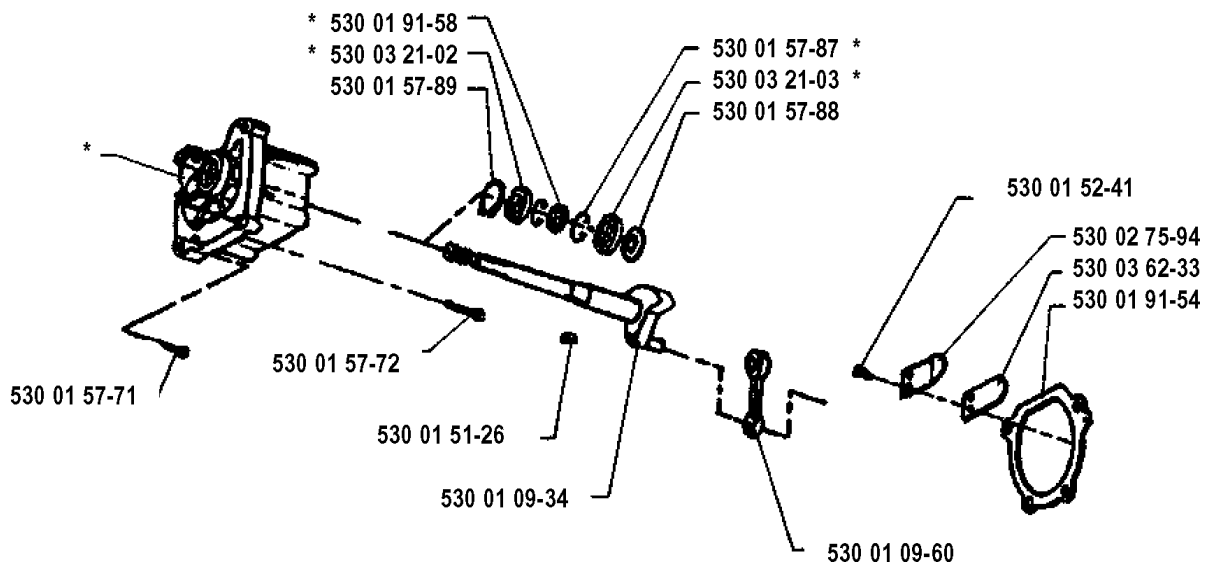
530 02 97-60

FUEL TANK

23 R 1993-05

Part No	Description	Remark	QTY KIT
530 01 42-78	TANK		1
530 01 43-35	HUB CAP		1
530 02 61-19	CHECK VALVE		1
530 02 96-96	HOLDER		1
530 02 97-17	FILTER		1
530 02 97-60	SLEEVE		1

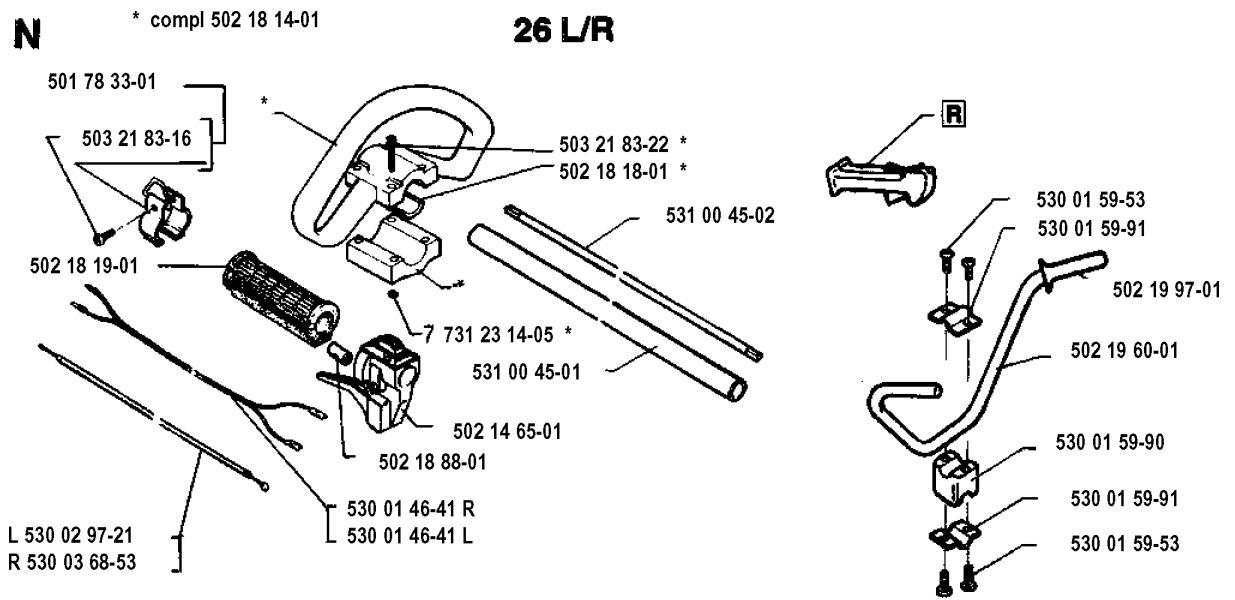
J * compl 530 01 40-16



CRANKSHAFT

23 R 1993-05

Part No	Description	Remark	QTY KIT
530 01 09-34	CRANKSHAFT ASSY		1
530 01 09-60	CONNECTING ROD		1
530 01 40-16	CRANKCASE ASSY		1
530 01 51-26	KEY		1
530 01 52-41	SCREW		1
530 01 57-71	SCREW		1
530 01 57-72	SCREW		1
530 01 57-87	RETAINER RING		1
530 01 57-88	SPACER		1
530 01 57-89	RETAINER RING		1
530 01 91-54	GASKET		1
530 01 91-58	SEALING RING		1
530 02 75-94	REED STOP		1
530 03 21-02	BEARING		1
530 03 21-03	BEARING		1
530 03 62-33	VALVE		1



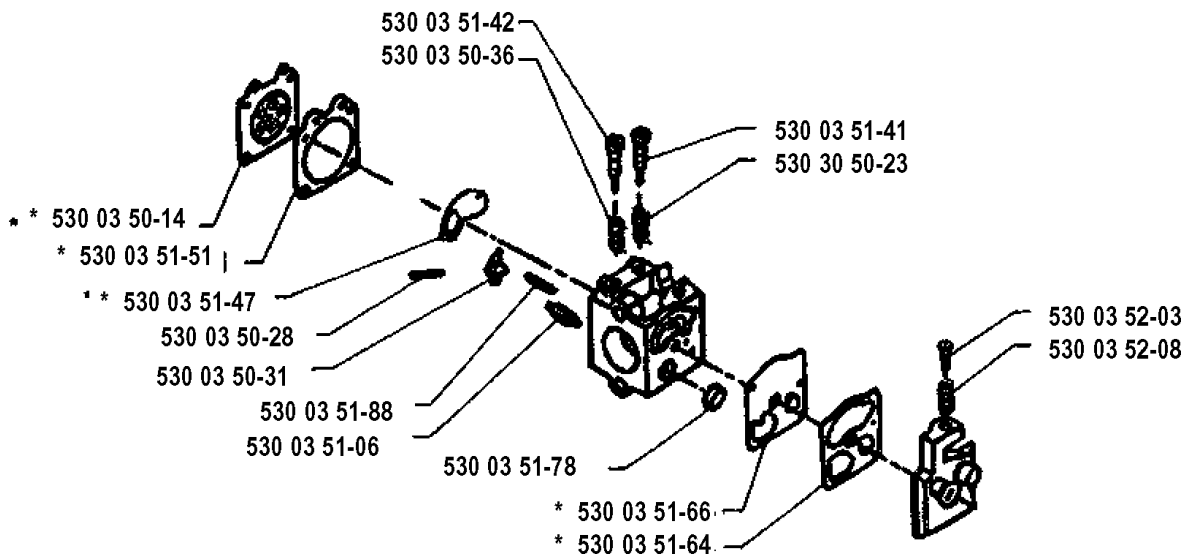
HANDLE & CONTROLS

23 R 1993-05

Part No	Description	Remark	QTY KIT
501 78 33-01	SUSPENSION BAIL		1
502 14 65-01	THROTTLE CONTROL		1
502 18 14-01	HANDLE		1
502 18 18-01	DAMPER		1
502 18 19-01	HANDLE		1
502 18 88-01	CONNECTION		1
502 19 60-01	HANDLEBAR		1
502 19 97-01	HANDLE		1
503 21 83-16	SCREW		1
503 21 83-22	SCREW		1
530 01 46-41	HARNESS	L	1
530 01 46-41	HARNESS	R	1
530 01 59-53	SCREW		1
530 01 59-53	SCREW		1
530 01 59-90	BRACKET		1
530 01 59-91	BRACKET		1
530 01 59-91	BRACKET		1
530 02 97-21	THROTTLE WIRE	L	1
530 03 68-53	THROTTLE WIRE	R	1
531 00 45-01	TUBE		1
531 00 45-02	SHAFT		1
731 23 14-05	HEXAGON NUT		1

M

* compl 530 03 51-85



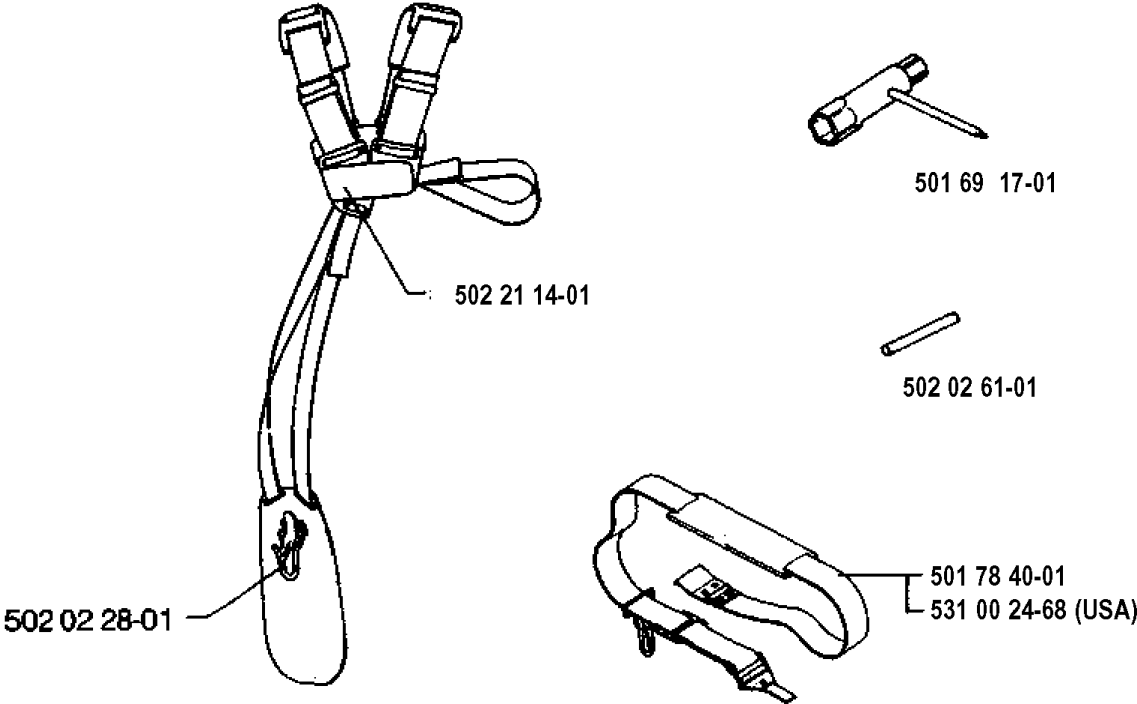
CARBURETOR DETAILS

23 R 1993-05

Part No	Description	Remark	QTY KIT
530 03 50-14	STYRMEMBRAN		1
530 03 50-28	PEN		1
530 03 50-31	LEVER		1
530 03 50-36	SPRING		1
530 03 51-06	NEEDLE VALVE		1
530 03 51-41	NEEDLE		1
530 03 51-42	NEEDLE		1
530 03 51-47	GASKET		1
530 03 51-51	GASKET		1
530 03 51-64	GASKET		1
530 03 51-66	DIAPHRAGM PUMP		1
530 03 51-78	SCREEN		1
530 03 51-85	GASKET KIT		1
530 03 51-88	SPRING		1
530 03 52-03	SCREW		1
530 03 52-08	SPRING		1
530 30 50-23			1

P

compl 502 21 17-01
compl 502 21 17-02 (USA)



HARNESS

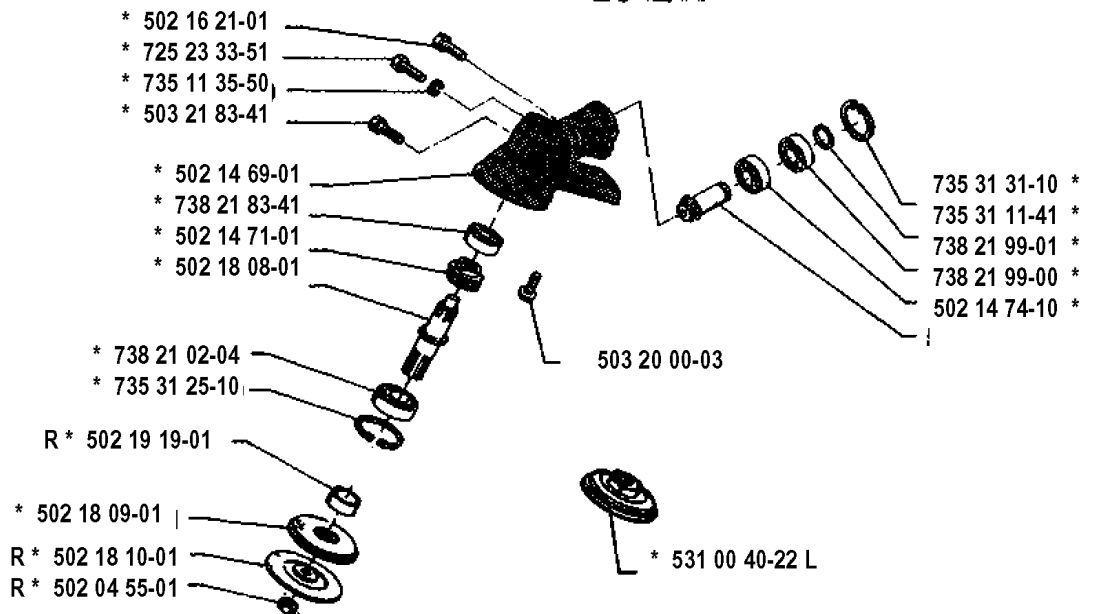
23 R 1993-05

Part No	Description	Remark	QTY KIT
501 69 17-01	COMBINATION WRENCH		1
501 78 40-01	HARNESS		1
502 02 28-01	HOOK		1
502 02 61-01	STOP		1
502 21 14-01	FRAMSTYCKE HÖGER		1
502 21 17-01	HARNESS		1
502 21 17-02	HARNESS	USA	1
531 00 24-68	HARNESS	USA	1

Q

* compl 502 19 18-01

26 L/R

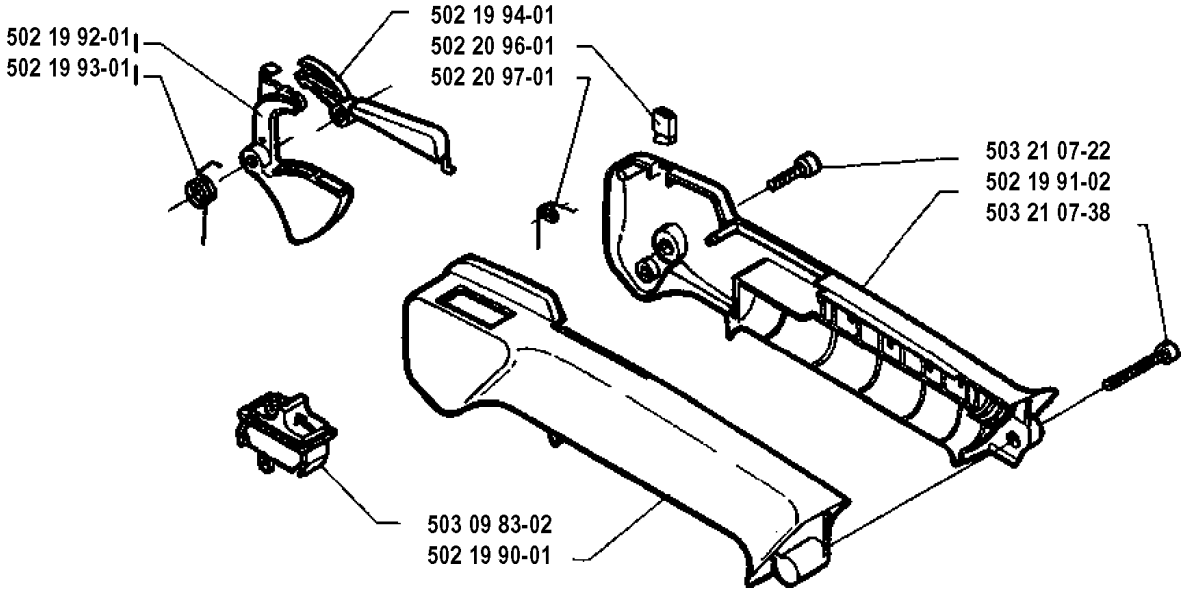


BEVEL GEAR

23 R 1993-05

Part No	Description	Remark	QTY KIT
502 04 55-01	NUT	R	1
502 14 69-01	GEAR HOUSING		1
502 14 71-01	GEAR WHEEL		1
502 14 74-10			1
502 16 21-01	SCREW		1
502 18 08-01	AXIS		1
502 18 09-01	DRIVER		1
502 18 10-01	FLANGE	R	1
502 19 18-01	ANGLE GEAR CPL		1
502 19 19-01	SPACER	R	1
503 20 00-03	SCREW		1
503 21 83-41	SCREW		1
531 00 40-22	CARRIER	L	1
725 23 33-51	SCREW EHHM		1
735 11 35-50	WASHER		1
735 31 11-41	RETAINER RING		1
735 31 25-10	CIRCLIP		1
735 31 31-10	CIRCLIP		1
738 21 02-04	BALL BEARING		1
738 21 83-41			1
738 21 99-00	BALL BEARING		1
738 21 99-01	BALL BEARING		1

R



THROTTLE CONTROLS

23 R 1993-05

Part No	Description	Remark	QTY KIT
502 19 90-01	HANDLE HALF		1
502 19 91-02	HANDLE HALF		1
502 19 92-01	THROTTLE TRIGGER		1
502 19 93-01	RECOIL SPRING		1
502 19 94-01	THROTTLE LOCKOUT		1
502 20 96-01	CATCH		1
502 20 97-01	SPRING		1
503 09 83-02	STOP SWITCH		1
503 21 07-22	SCREW IHSCT		1
503 21 07-38	SCREW IHSCT		1