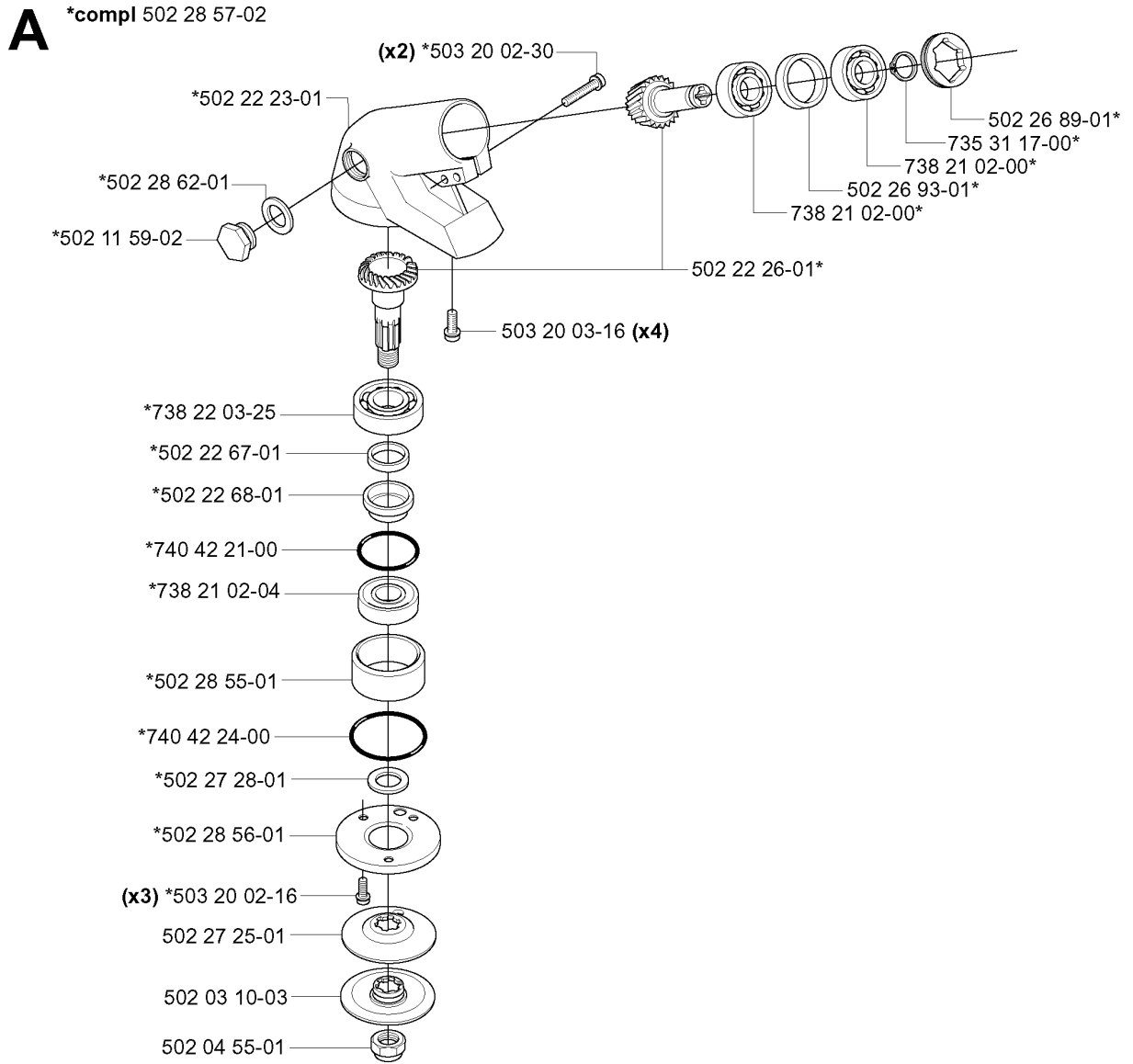




SPARE PARTS LIST

BRUSHCUTTERS/CLEARING SAWS

240 R, 20053600001-Current

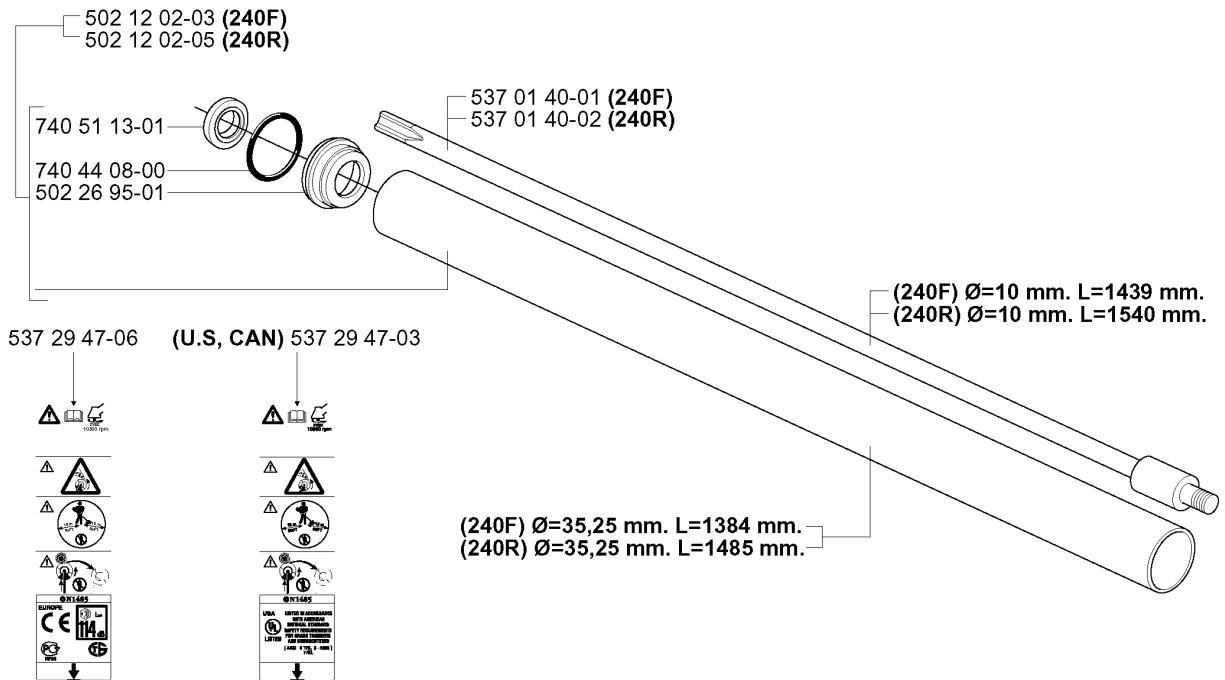


BEVEL GEAR

240 R, 20053600001-Current

Part No	Description	Remark	QTY KIT
502 03 10-03	SUPPORT FLANGE		1
502 04 55-01	NUT		1
502 11 59-02	PLUG		1
502 22 23-01	GEAR HOUSING		1
502 22 26-01	GEAR WHEEL		1
502 22 67-01	SPACER RING		1
502 22 68-01	SEALING COLLAR		1
502 26 89-01	CIRCLIP		1
502 26 93-01	SPACER RING		1
502 27 25-01	DRIVER		1
502 27 28-01	WASHER		1
502 28 55-01	BEARING HOUSING		1
502 28 56-01	CUP		1
502 28 57-02	GEAR		1
502 28 62-01	WASHER		1
503 20 02-16	SCREW IHSCFM		3
503 20 02-30	SCREW IHSCFM		2
503 20 03-16	SCREW IHSCFM		4
735 31 17-00	CIRCLIP		1
738 21 02-00	BALL BEARING		1
738 21 02-00	BALL BEARING		1
738 21 02-04	BALL BEARING		1
738 22 03-25	BALL BEARING		1
740 42 21-00	O-RING		1
740 42 24-00	O-RING		1

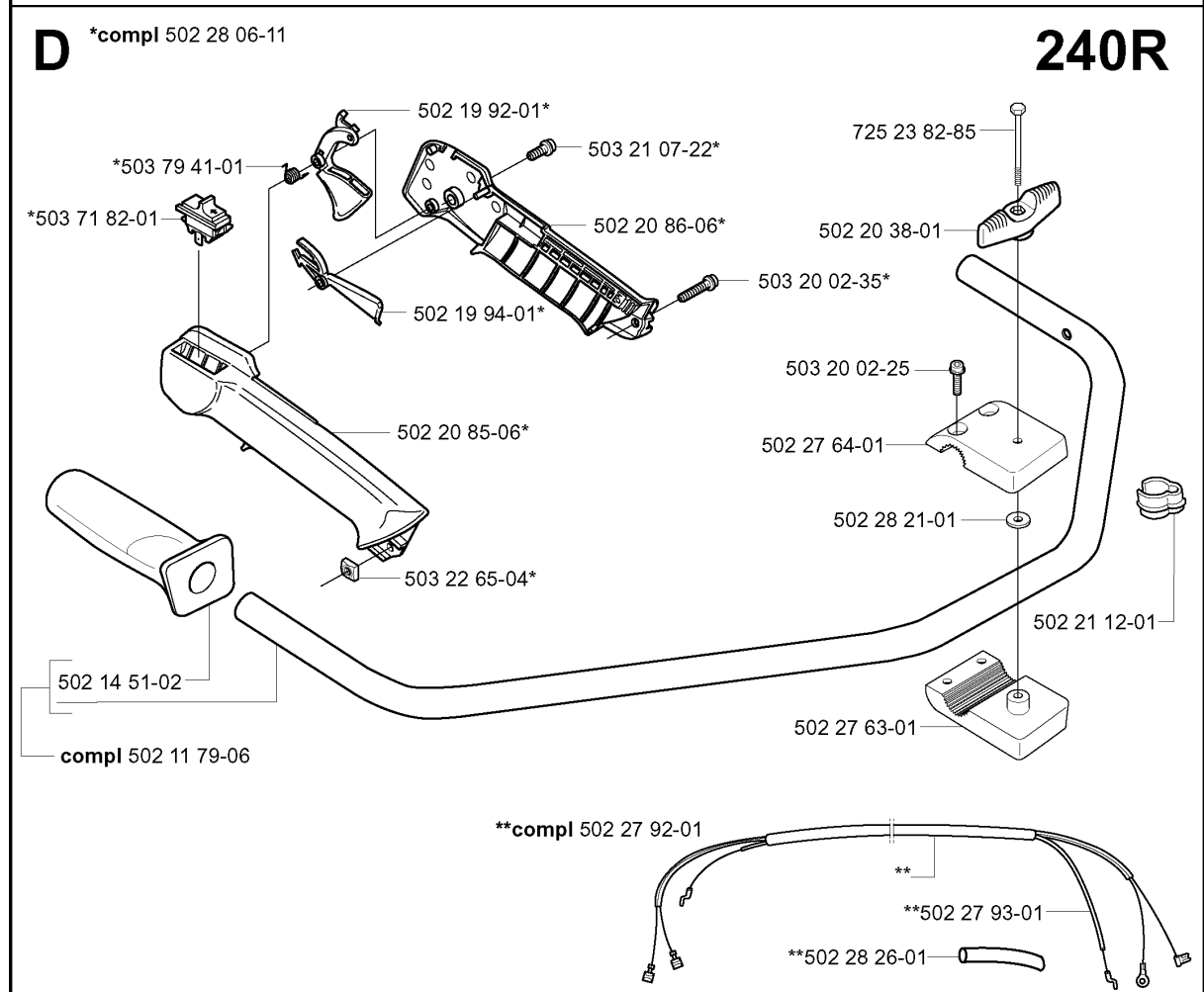
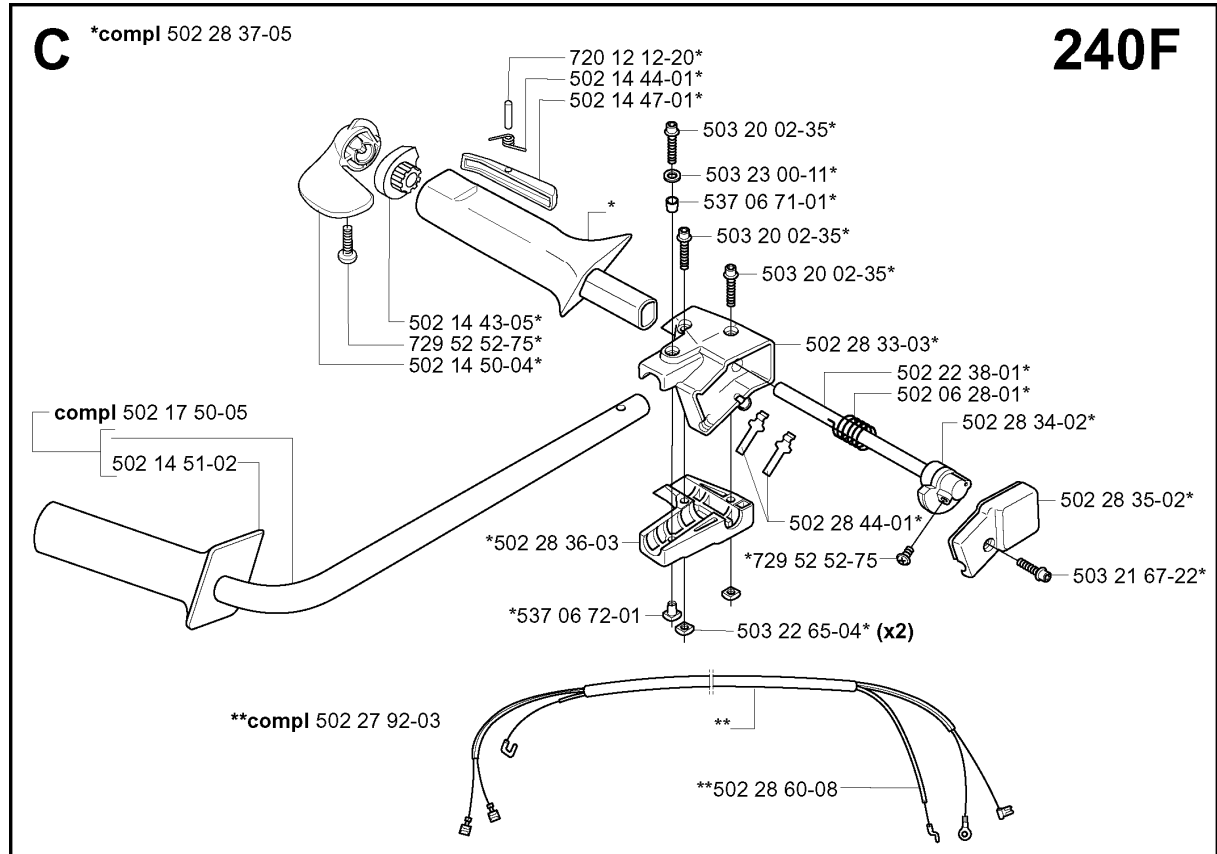
B



SHAFT

240 R, 20053600001-Current

Part No	Description	Remark	QTY KIT
502 12 02-03	TUBE ASSY	240F	1
502 12 02-05	TUBE ASSY	240R	1
502 26 95-01	SEALING RING HOLDER		1
537 01 40-01	DRIVE SHAFT ASSY	240F	1
537 01 40-02	DRIVE SHAFT ASSY	240R	1
537 29 47-03	LABEL	U.S, CAN	1
537 29 47-06	LABEL		1
740 44 08-00	O-RING		1
740 51 13-01	SEALING RING		1

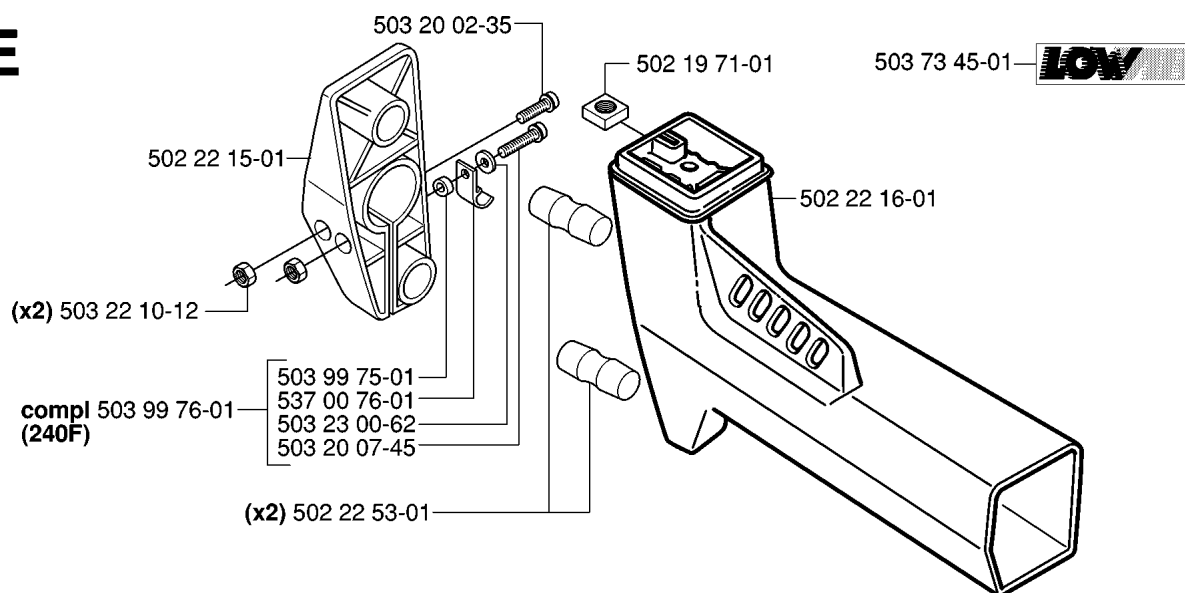


HANDLE & CONTROLS

240 R, 20053600001-Current

Part No	Description	Remark	QTY KIT
502 11 79-06	HANDLEBAR		1
502 14 51-02	HANDLE		1
502 19 92-01	THROTTLE TRIGGER		1
502 19 94-01	THROTTLE LOCKOUT		1
502 20 38-01	KNOB		1
502 20 85-06	HANDLE HALF		1
502 20 86-06	HANDLE HALF		1
502 21 12-01	STAPLE		1
502 27 63-01	HANDLEBAR BRACKET		1
502 27 64-01	HANDLEBAR BRACKET		1
502 27 92-01	WIRING ASSY		1
502 27 93-01	GAS WIRE ASSY		1
502 28 06-11	HANDLE		1
502 28 21-01	WASHER		1
502 28 26-01	HOSE		1
503 20 02-25	SCREW IHSCFM		1
503 20 02-35	SCREW IHSCFM		1
503 21 07-22	SCREW IHST		1
503 22 65-04	SQUARE NUT		1
503 71 82-01	SWITCH		1
503 79 41-01	RECOIL SPRING		1
725 23 82-85	SCREW EHHM		1

E

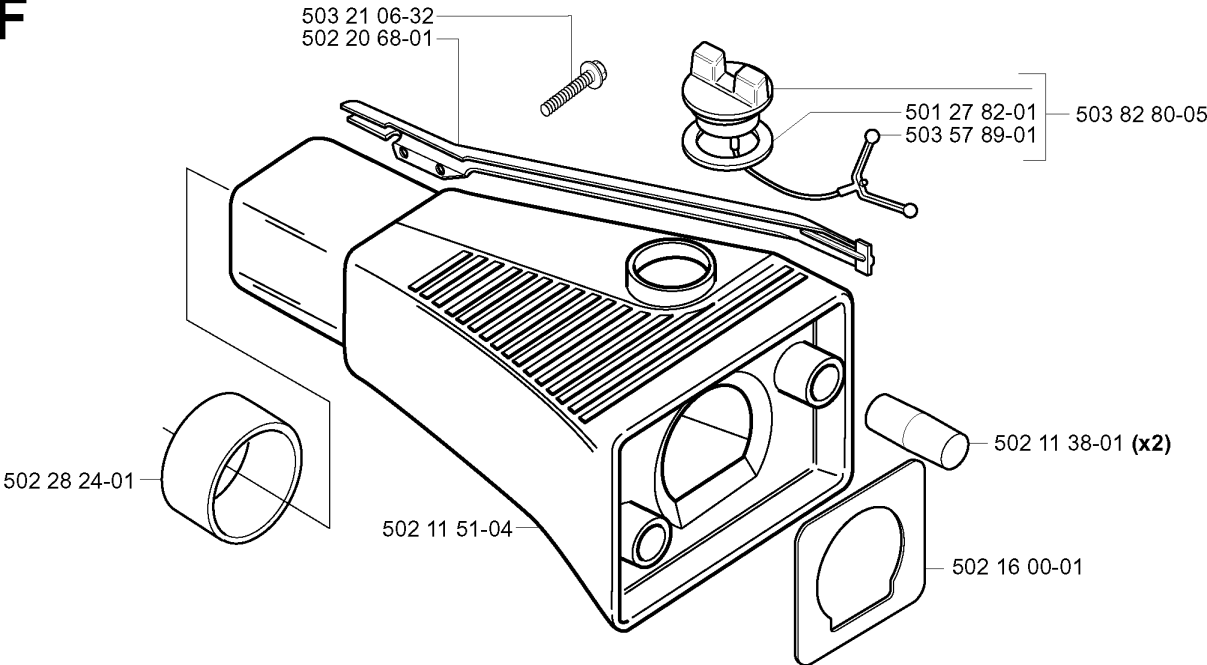


TOWER

240 R, 20053600001-Current

Part No	Description	Remark	QTY KIT
502 19 71-01	SQUARE NUT		1
502 22 15-01	RETAINER		1
502 22 16-01	SUSPENSION		1
502 22 53-01	ANTIVIBRATION ELEMENT		2
503 20 02-35	SCREW IHSCFM		1
503 20 07-45	SCREW IHSCFM		1
503 22 10-12	HEXAGON NUT		2
503 23 00-62	WASHER		1
503 73 45-01	LABEL		1
503 99 75-01	SPACING SLEEVE		1
503 99 76-01	KIT	240F	1
537 00 76-01	CLIP		1

F

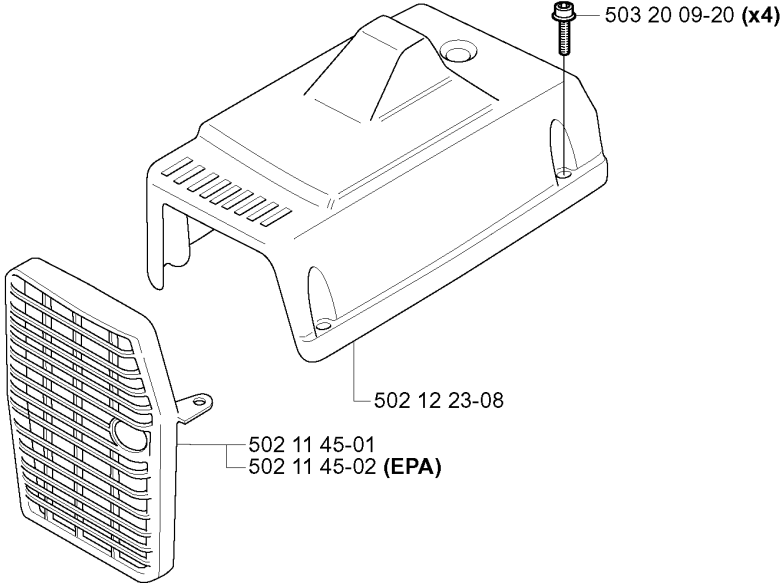



FUEL TANK


240 R, 20053600001-Current

Part No	Description	Remark	QTY KIT
501 27 82-01	GASKET		1
502 11 38-01	ANTIVIBRATION ELEMENT		2
502 11 51-04	FUEL TANK ASSY		1
502 16 00-01	HEAT PROTECTOR		1
502 20 68-01	CABLE GUARD		1
502 28 24-01	SPACER RING		1
503 21 06-32	SCREW IHSCT		1
503 57 89-01	HOLDER		1
503 82 80-05	TANK CAP ASSY		1

G



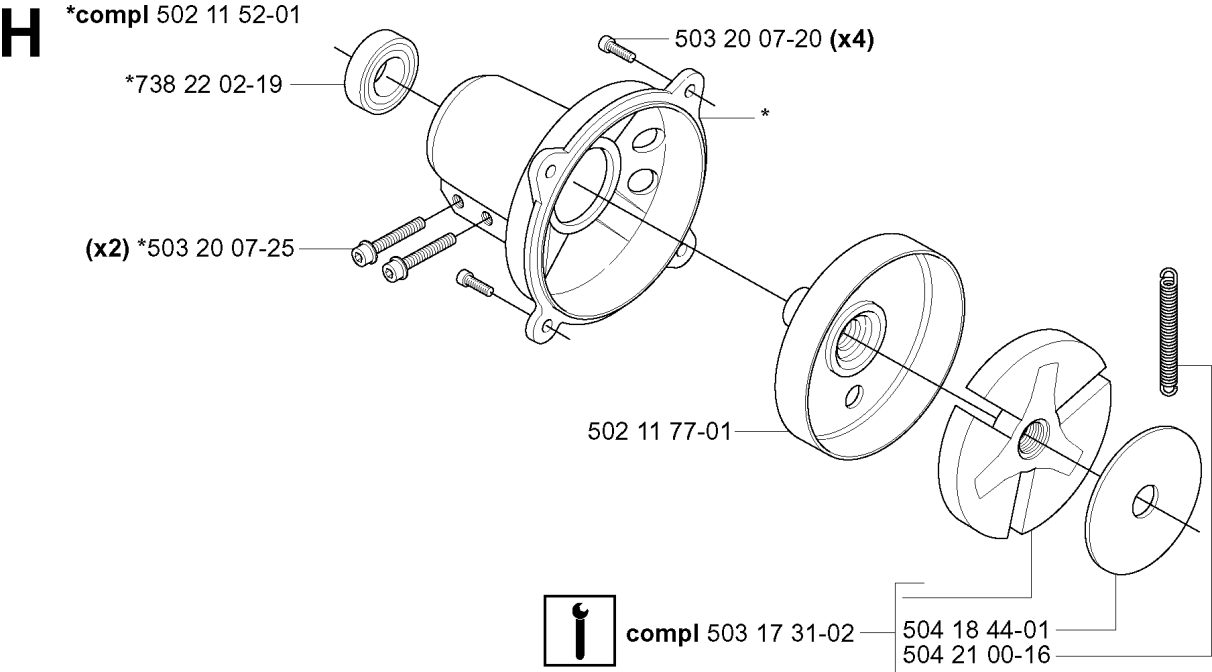
(240R) 537 35 33-09  **240R**

(240F) 537 35 33-08  **240F**

CYLINDER COVER

240 R, 20053600001-Current

Part No	Description	Remark	QTY KIT
502 11 45-01	HEAT PROTECTOR		1
502 11 45-02	HEAT PROTECTOR	EPA	1
502 12 23-08	CYLINDER COVER ASSY		1
503 20 09-20	SCREW IHSCFMO		4
537 35 33-08	LABEL	240F	1
537 35 33-09	LABEL	240R	1



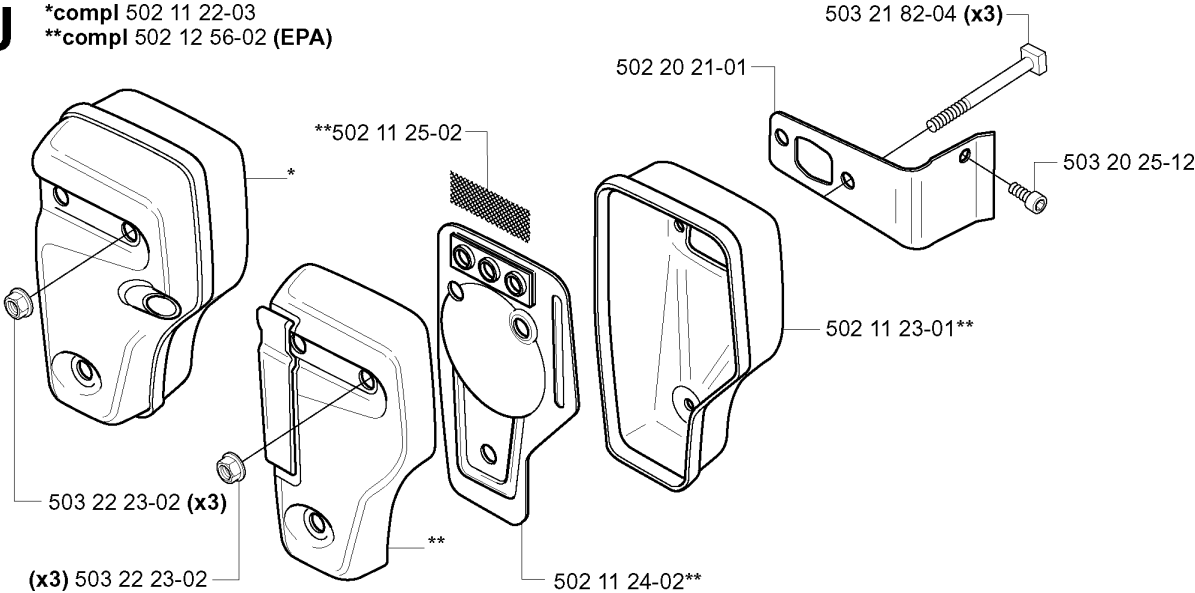
CLUTCH

240 R, 20053600001-Current

Part No	Description	Remark	QTY KIT
502 11 52-01	CLUTCH COVER ASSY		1
502 11 77-01	CLUTCH DRUM ASSY		1
503 17 31-02	CLUTCH		1
503 20 07-20	SCREW IHSCFM		4
503 20 07-25	SCREW IHSCFM		2
504 18 44-01	WASHER		1
504 21 00-16	CLUTCH SPRING		1
738 22 02-19	BALL BEARING		1

J

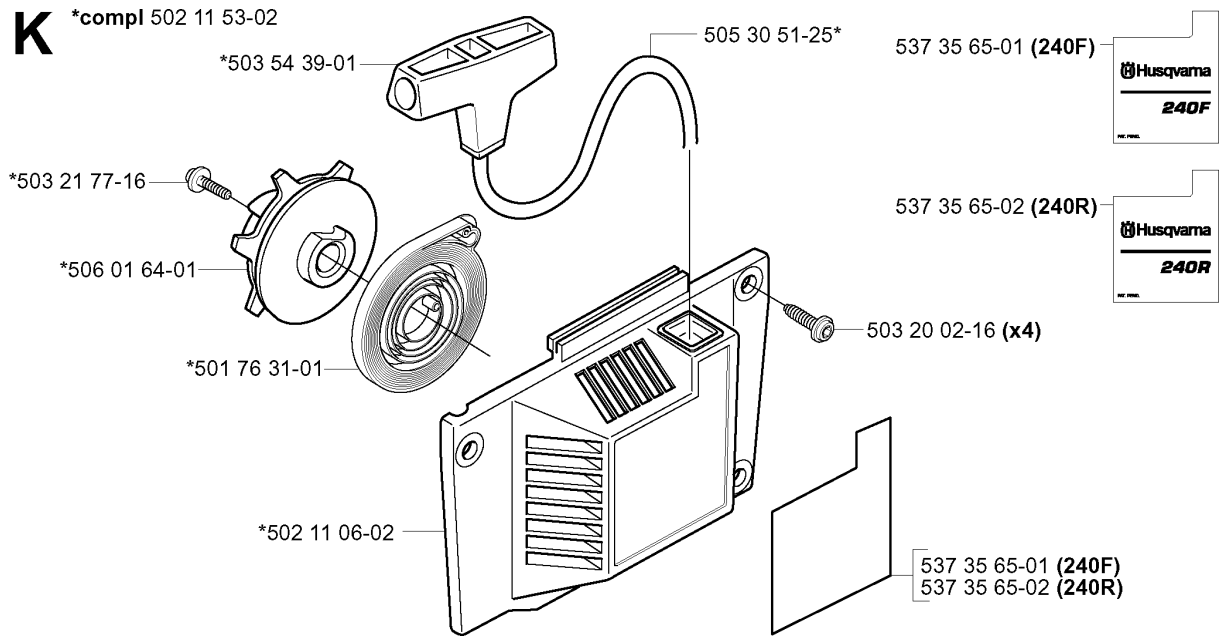
*compl 502 11 22-03
**compl 502 12 56-02 (EPA)



MUFFLER

240 R, 20053600001-Current

Part No	Description	Remark	QTY KIT
502 11 22-03	MUFFLER ASSY		1
502 11 23-01	MUFFLER REAR HALF		1
502 11 24-02	BAFFLE PLATE		1
502 11 25-02	SPARK ARRESTER SCREEN		1
502 12 56-02	MUFFLER ASSY	EPA	1
502 20 21-01	HEAT DEFLECTOR		1
503 20 25-12	SCREW IHSCM		1
503 21 82-04	SCREW		3
503 22 23-02	LOCK NUT		3
503 22 23-02	LOCK NUT		3

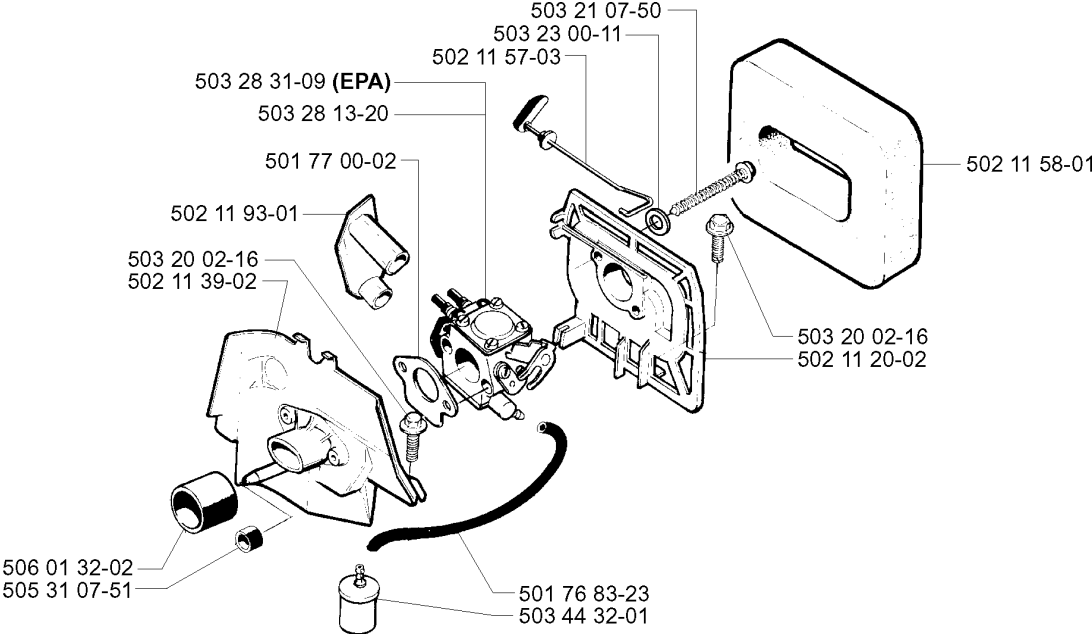


STARTER

240 R, 20053600001-Current

Part No	Description	Remark	QTY KIT
501 76 31-01	SPRING CASSETTE ASSY		1
502 11 06-02	STARTER HOUSING		1
502 11 53-02	STARTER		1
503 20 02-16	SCREW IHSCFM		4
503 21 77-16	SCREW IH SCT		1
503 54 39-01	STARTER HANDLE		1
505 30 51-25	STARTER CORD		1
506 01 64-01	STARTER PULLEY		1
537 35 65-01	LABEL	240F	1
537 35 65-01	LABEL	240F	1
537 35 65-02	LABEL	240R	1
537 35 65-02	LABEL	240R	1

L

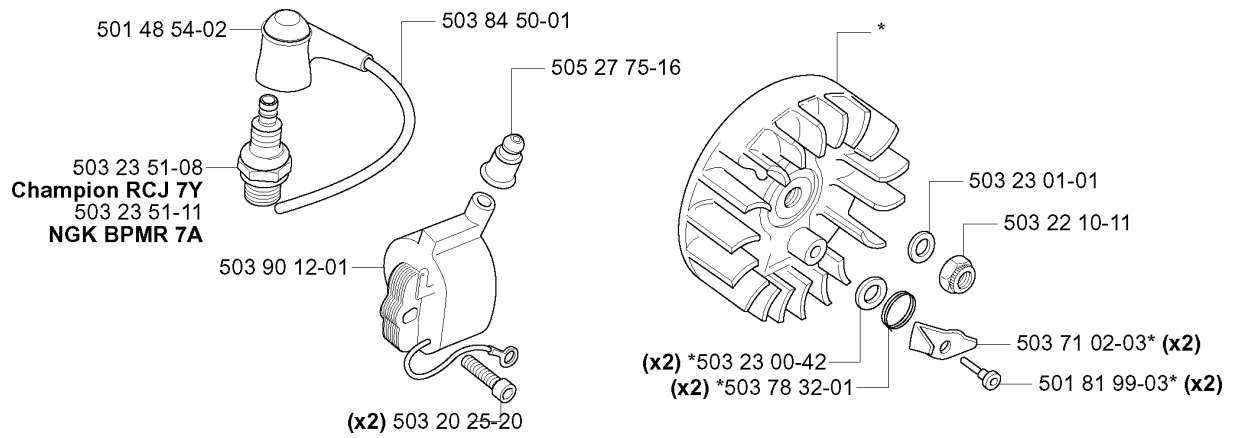


CARBURETOR & AIR FILTER

240 R, 20053600001-Current

Part No	Description	Remark	QTY KIT
501 76 83-23	FUEL HOSE		1
501 77 00-02	GASKET		1
502 11 20-02	FILTER HOLDER		1
502 11 39-02	INSULATION WALL		1
502 11 57-03	CHOKE CONTROL		1
502 11 58-01	AIR FILTER		1
502 11 93-01	GUIDE BUSHING		1
503 20 02-16	SCREW IHSCFM		1
503 20 02-16	SCREW IHSCFM		1
503 21 07-50	SCREW IHSCFT		1
503 23 00-11	WASHER		1
503 28 13-20	CARBURETTOR		1
503 28 31-09	CARBURETTOR	EPA	1
503 44 32-01	FUEL FILTER		1
505 31 07-51	IMPULSE HOSE		1
506 01 32-02	INLET PIPE		1

M *compl 503 79 00-02

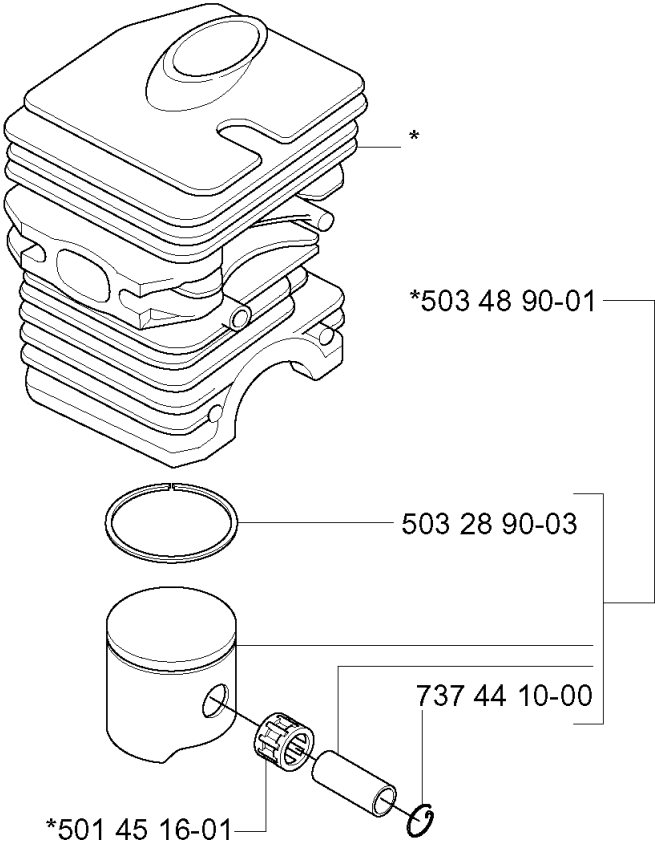


IGNITION SYSTEM

240 R, 20053600001-Current

Part No	Description	Remark	QTY KIT
501 48 54-02	SPARK PLUG CAP		1
501 81 99-03	SCREW		2
503 20 25-20	SCREW IHSCM		2
503 22 10-11	HEXAGON NUT		1
503 23 00-42	WASHER		2
503 23 01-01	WASHER		1
503 23 51-08	SPARK PLUG	CHAMPION RCJ 7Y	1
503 23 51-11	SPARK PLUG	NGK BPMR 7A	1
503 71 02-03	STARTER PAWL		2
503 78 32-01	SPRING		2
503 79 00-02	FLYWHEEL		1
503 84 50-01	CABLE		1
503 90 12-01	ELECTRONIC MODULE		1
505 27 75-16	CABLE SLEEVE		1

N *compl 506 01 06-07 (Ø 40mm.)

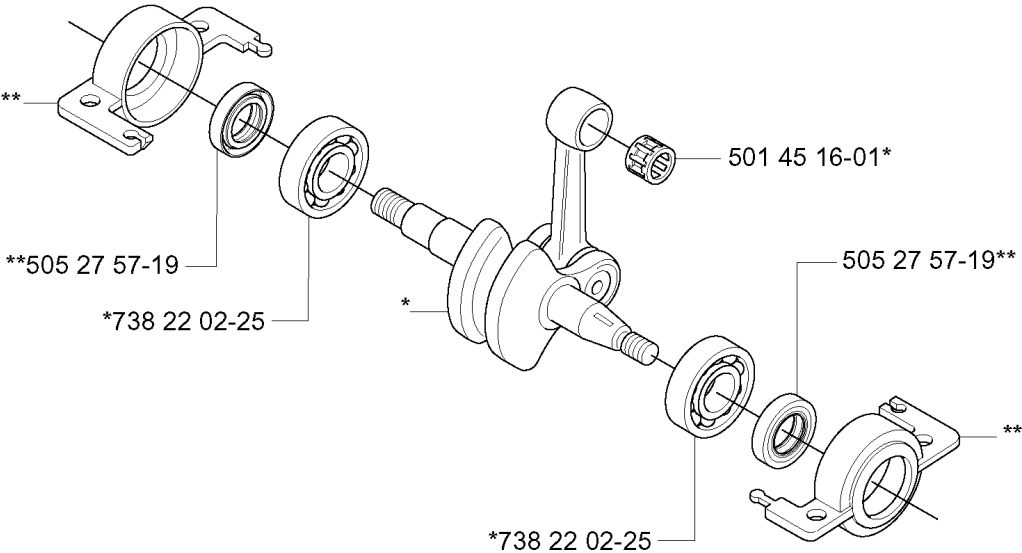


CYLINDER PISTON

240 R, 20053600001-Current

Part No	Description	Remark	QTY KIT
501 45 16-01	NEEDLE BEARING		1
503 28 90-03	PISTON RING		1
503 48 90-01	PISTON ASSY		1
506 01 06-07	CYLINDER ASSY	DIA. 40MM.	1
737 44 10-00	SNAP RING		1

P *compl 503 57 38-06
**compl 502 23 02-01

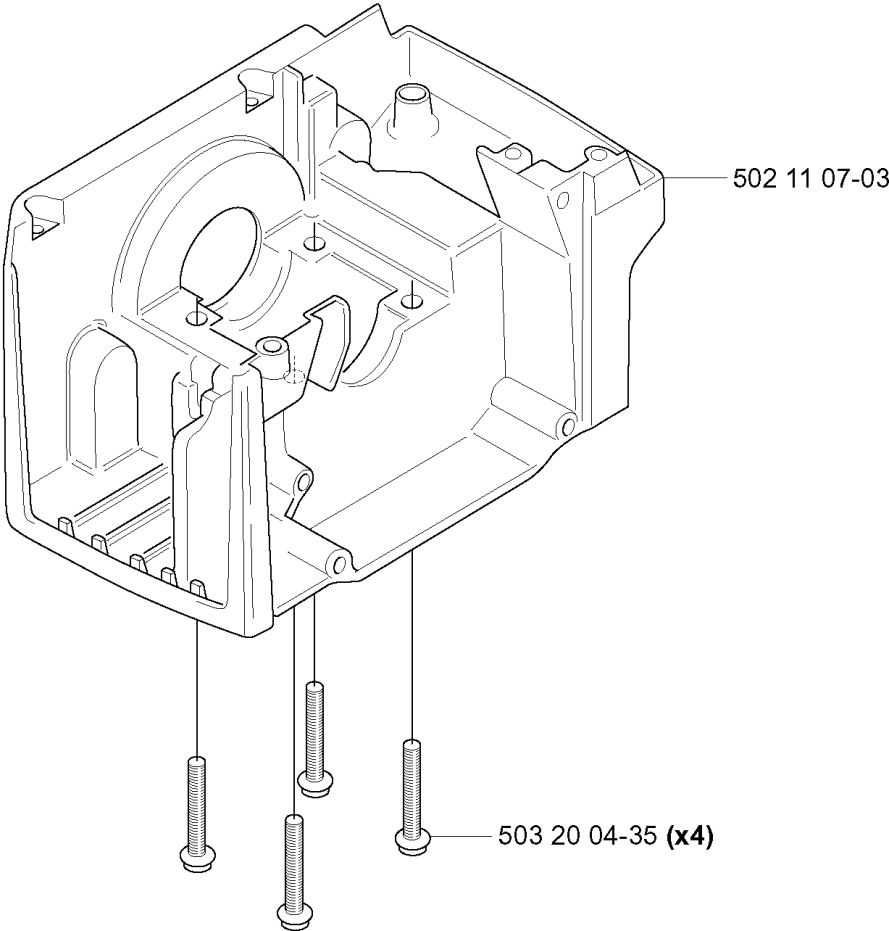


CRANKSHAFT

240 R, 20053600001-Current

Part No	Description	Remark	QTY KIT
501 45 16-01	NEEDLE BEARING		1
502 23 02-01	SHAFT SEAT		1
503 57 38-06	CRANKSHAFT ASSY		1
505 27 57-19	SEALING RING		1
505 27 57-19	SEALING RING		1
738 22 02-25	BALL BEARING		1
738 22 02-25	BALL BEARING		1

Q



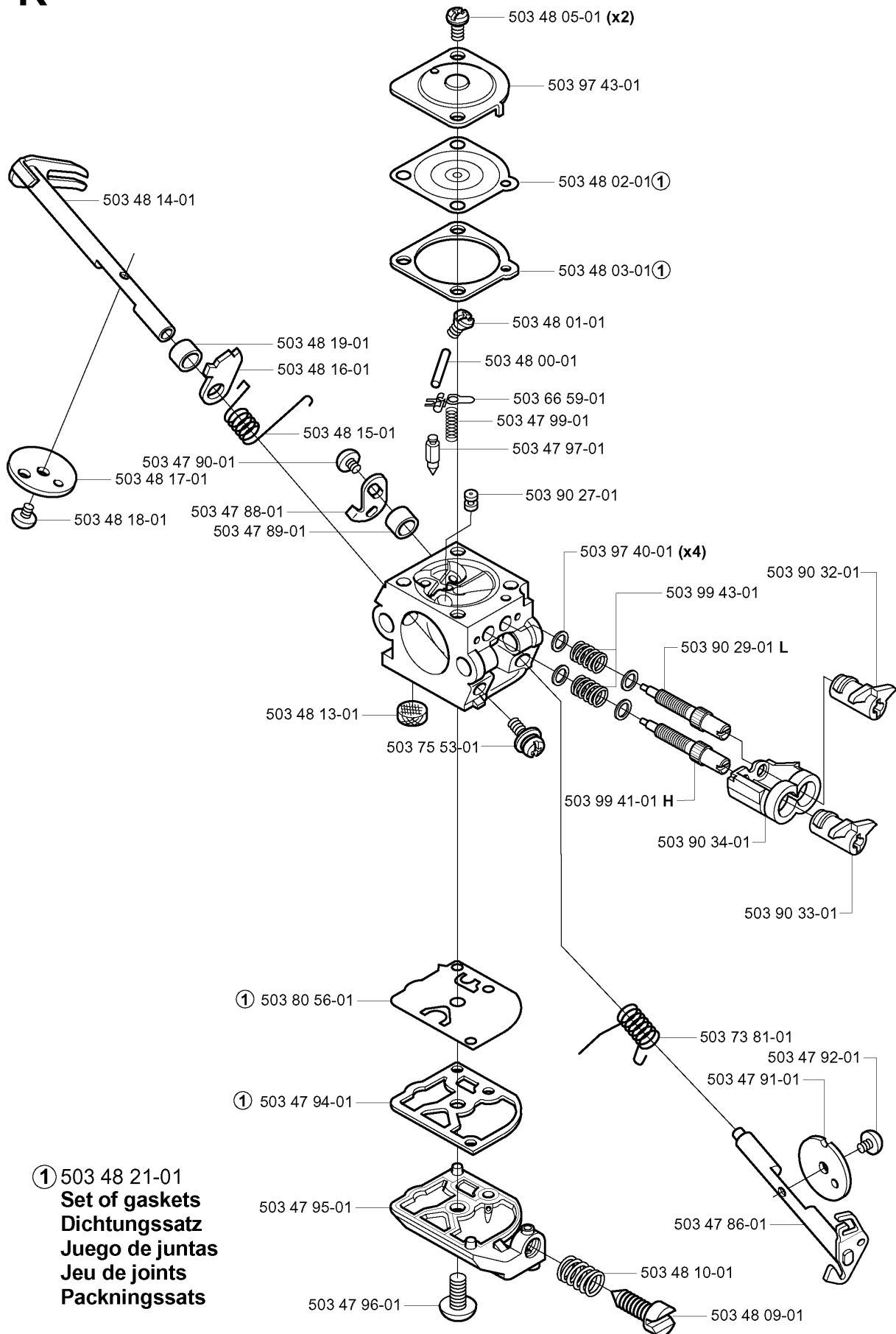
CRANKCASE

240 R, 20053600001-Current

Part No	Description	Remark	QTY KIT
502 11 07-03	CRANKCASE		1
503 20 04-35	SCREW IHSCFM		4

R compl 503 28 31-09

ZAMA C1Q - EL 10 (EPA)



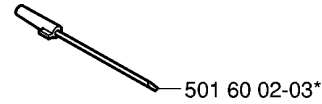
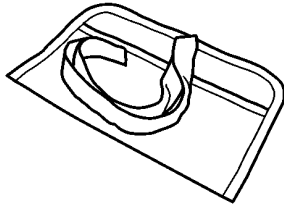
CARBURETOR DETAILS

240 R, 20053600001-Current

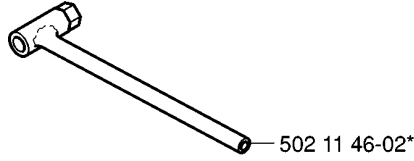
Part No	Description	Remark	QTY KIT
503 28 31-09	CARBURETTOR		1
503 47 86-01	SHAFT ASSY		1
503 47 88-01	LEVER		1
503 47 89-01	COLLAR		1
503 47 90-01	SCREW		1
503 47 91-01	VALVE		1
503 47 92-01	SCREW		1
503 47 94-01	GASKET	503 48 21-01 SET OF GASKETS	1
503 47 95-01	COVER		1
503 47 96-01	SCREW		1
503 47 97-01	VALVE		1
503 47 99-01	SPRING		1
503 48 00-01	PIN RETAINING SCREW		1
503 48 01-01	SCREW		1
503 48 02-01	DIAPHRAGM	503 48 21-01 SET OF GASKETS	1
503 48 03-01	GASKET	503 48 21-01 SET OF GASKETS	1
503 48 05-01	SCREW		2
503 48 09-01	SCREW		1
503 48 10-01	SPRING		1
503 48 13-01	STRAINER		1
503 48 14-01	SHAFT ASSY		1
503 48 15-01	SPRING		1
503 48 16-01	LEVER		1
503 48 17-01	VALVE		1
503 48 18-01	SCREW		1
503 48 19-01	COLLAR		1
503 66 59-01	LEVER		1
503 73 81-01	RECOIL SPRING		1
503 75 53-01	SCREW		1
503 80 56-01	DIAPHRAGM PUMP	503 48 21-01 SET OF GASKETS	1
503 90 27-01	NOZZLE ASSY		1
503 90 29-01	SCREW	L	1
503 90 32-01	LIMITER CAP		1
503 90 33-01	LIMITER CAP		1
503 90 34-01	RETAINER		1
503 97 40-01	WASHER		4
503 97 43-01	COVER		1
503 99 41-01	NEEDLE	H	1
503 99 43-01	SPRING		1

S Accessories
Zubehöre
Accessoires
Accesorios
Tillbehör

*compl 502 27 33-03

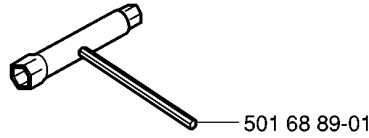


501 60 02-03*

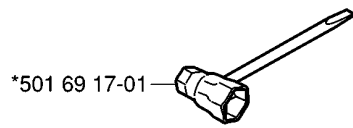


502 11 46-02*

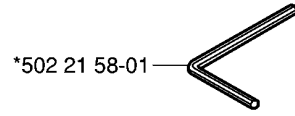
501 19 22-01*



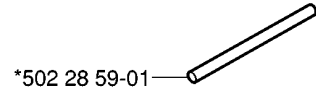
501 68 89-01



*501 69 17-01

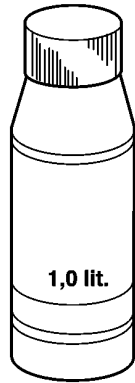


*502 21 58-01



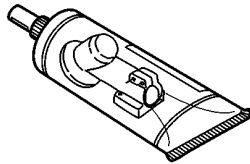
*502 28 59-01

Olja Luftfilter
Oil Airfilter
Öl Luftfilter
Aceite Filtro Air
Huile Filtre Air

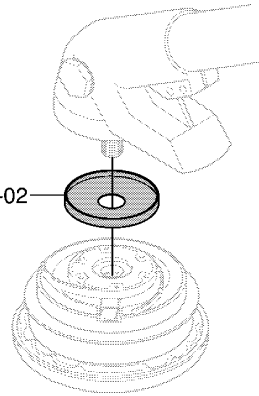


531 00 92-48

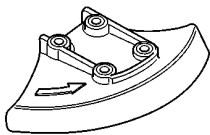
1,0 lit.



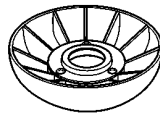
503 97 64-01



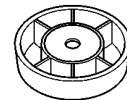
537 29 80-02



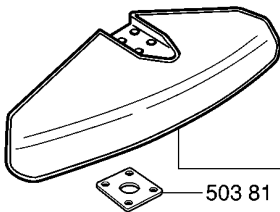
537 21 71-01 (200 mm)
502 03 94-03 (225 mm)



502 15 70-01



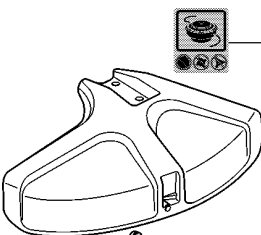
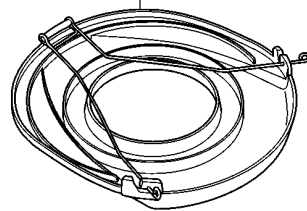
503 90 18-01



503 81 15-01

compl 502 26 34-01

537 31 29-01 (200-275 mm)



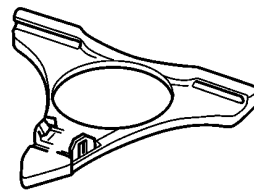
503 74 29-01

503 21 07-16

503 79 88-01

503 81 15-01

compl 503 91 60-01



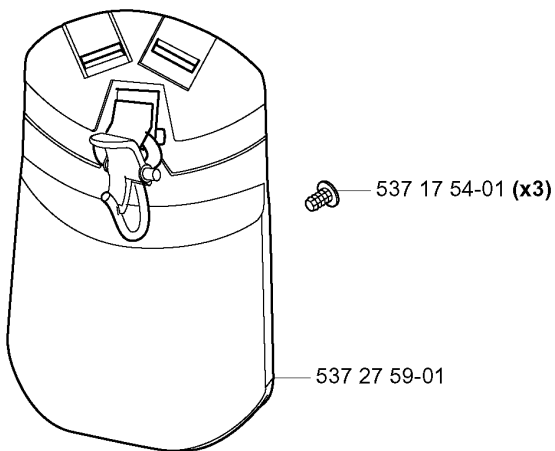
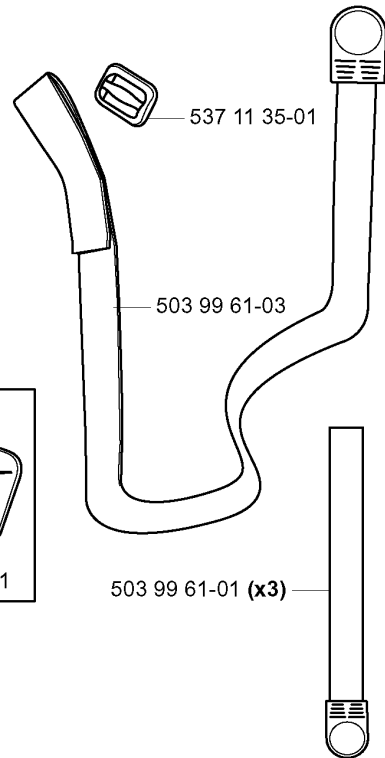
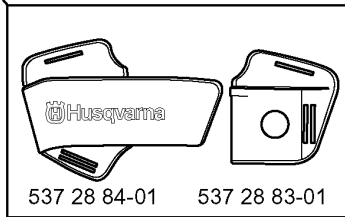
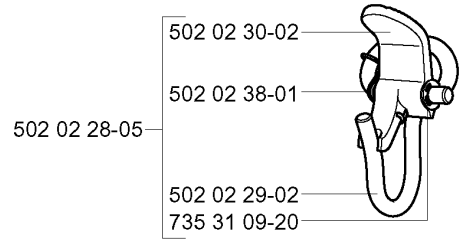
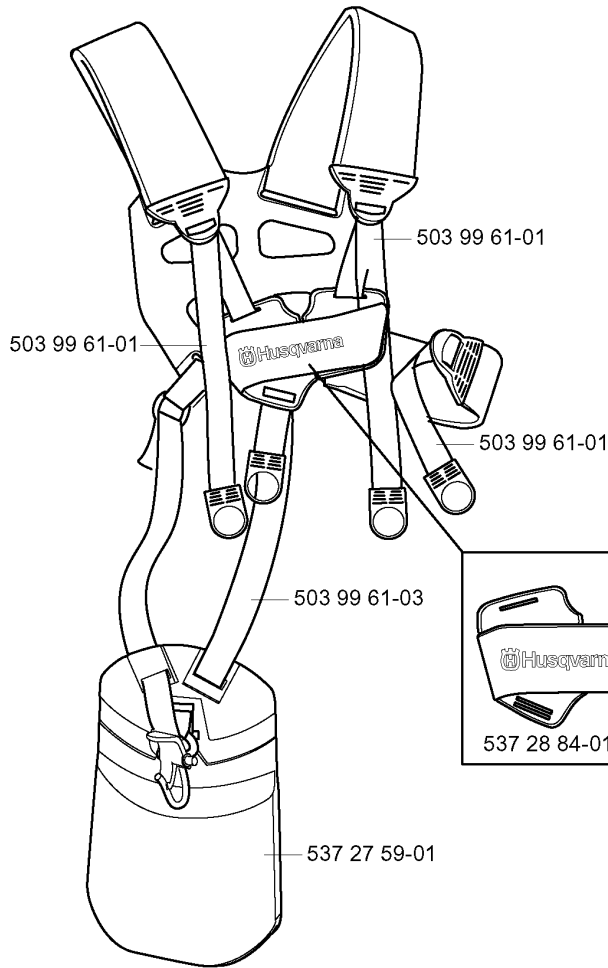
502 26 23-01

ACCESSORIES

240 R, 20053600001-Current

Part No	Description	Remark	QTY KIT
501 19 22-01	TOOL		1
501 60 02-03	SCREWDRIVER		1
501 68 89-01	COMBINATION WRENCH		1
501 69 17-01	COMBINATION WRENCH		1
502 03 94-03	SAW BLADE GUARD	225 MM	1
502 11 46-02	SOCKET WRENCH		1
502 15 70-01	SUPPORT CUP		1
502 21 58-01	WRENCH		1
502 26 23-01	TRIMMER GUARD ASSY		1
502 26 34-01	SPLASH GUARD		1
502 27 33-03	TOOL KIT		1
502 28 59-01	STOP		1
503 21 07-16	SCREW IHSCT		1
503 74 29-01	DECAL		1
503 79 88-01	BLADE		1
503 81 15-01	BASEPLATE		1
503 81 15-01	BASEPLATE		1
503 90 18-01	SUPPORT CUP		1
503 91 60-01	TRIMMER GUARD		1
503 97 64-01	GREASE		1
531 00 92-48	FILTER OIL		1
537 21 71-01	SAW BLADE GUARD	200 MM	1
537 29 80-02	CUP		1
537 31 29-01	TRANSPORT GUARD	200-275 MM	1

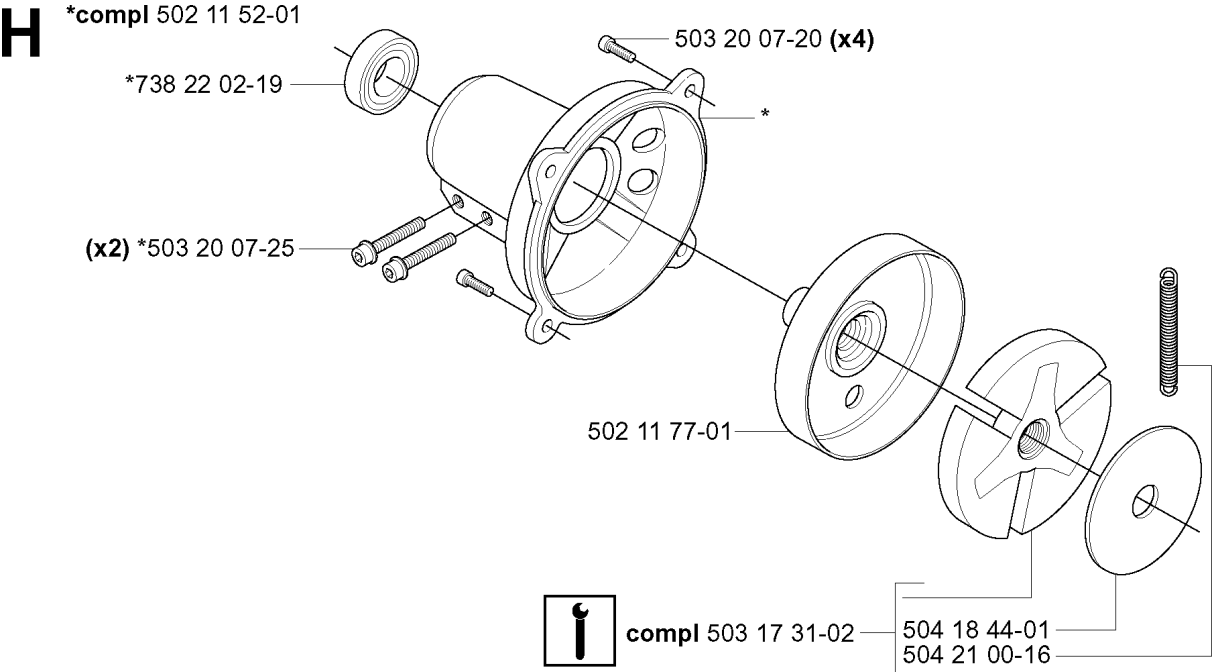
T Duo Balance
compl 537 27 57-01
compl 537 27 57-03 US



HARNESS

240 R, 20053600001-Current

Part No	Description	Remark	QTY KIT
502 02 28-05	WELT HOOK		1
502 02 29-02	HOOK		1
502 02 30-02	LOCK		1
502 02 38-01	SPRING		1
503 99 61-01	BAND		1
503 99 61-01	BAND		1
503 99 61-01	BAND		3
503 99 61-01	BAND		1
503 99 61-03	BAND		1
503 99 61-03	BAND		1
537 11 35-01	RETAINER		1
537 17 54-01	HIP PAD		3
537 27 57-01	HARNESS		1
537 27 57-03	HARNESS	US	1
537 27 59-01	HIP PAD		1
537 27 59-01	HIP PAD		1
537 28 83-01	BUCKLE		1
537 28 84-01	BUCKLE		1
735 31 09-20	E-CLIP		1



CLUTCH

240 R, 20053600001-Current

Part No	Description	Remark	QTY KIT
503 20 20-06	SCREW IHSCM		2
537 04 82-01	CLUTCH SHOE		2
537 04 83-01	CLUTCH SPRING		2
537 06 28-02	WASHER		1
537 06 31-01	BEARING BUSH		2
537 17 81-01	CLUTCH		1
537 17 82-01	CLUTCH ASSY		1
537 17 83-01	CLUTCH DRUM ASSY		1
537 23 94-01	CLUTCH		1