

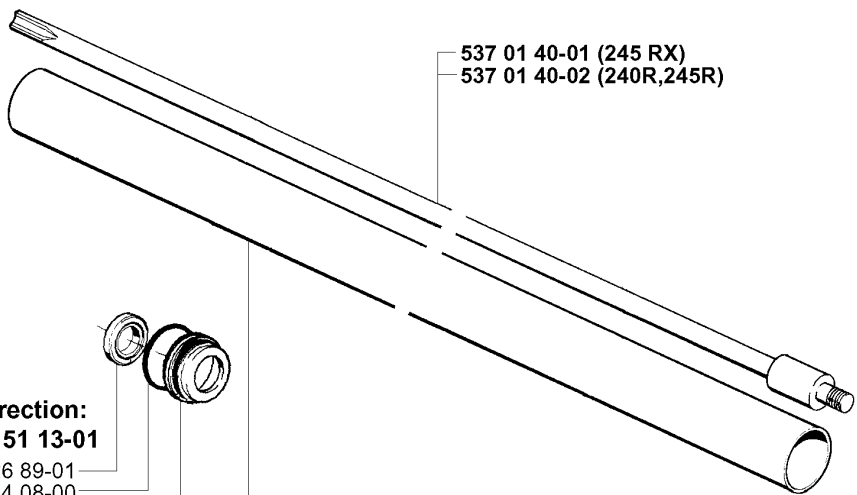
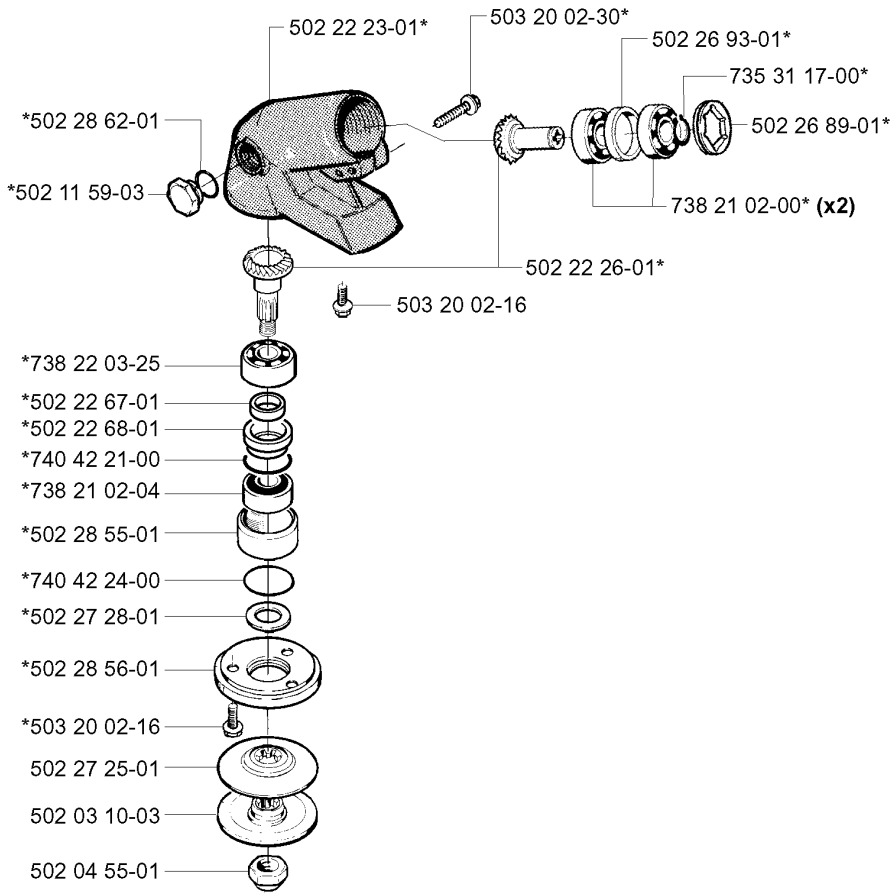


# SPARE PARTS LIST

BRUSHCUTTERS/CLEARING SAWS

245, 20010100001-Current

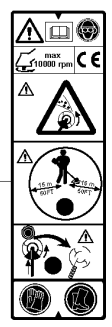
**A** \*compl 502 28 57-02



**Correction:**  
 740 51 13-01  
 502 26 89-01  
 740 44 08-00  
 502 26 95-01

502 12 02-03 (245 RX)  
 502 12 02-05 (240R,245R)

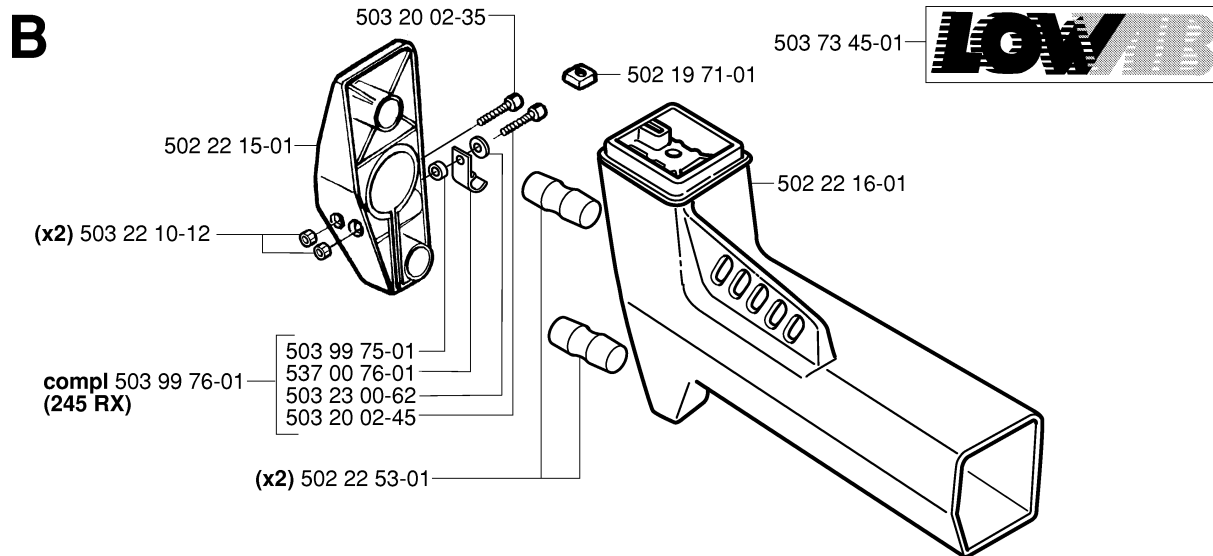
537 02 76-02



## BEVEL GEAR &amp; SHAFT

245, 20010100001-Current

| Part No      | Description         | Remark    | QTY KIT |
|--------------|---------------------|-----------|---------|
| 502 03 10-03 | SUPPORT FLANGE      |           | 1       |
| 502 04 55-01 | NUT                 |           | 1       |
| 502 11 59-03 | PLUG                |           | 1       |
| 502 12 02-03 | TUBE ASSY           | 245 RX    | 1       |
| 502 12 02-05 | TUBE ASSY           | 240R,245R | 1       |
| 502 22 23-01 | GEAR HOUSING        |           | 1       |
| 502 22 26-01 | GEAR WHEEL          |           | 1       |
| 502 22 67-01 | SPACER RING         |           | 1       |
| 502 22 68-01 | SEALING COLLAR      |           | 1       |
| 502 26 89-01 | CIRCLIP             |           | 1       |
| 502 26 89-01 | CIRCLIP             |           | 1       |
| 502 26 93-01 | SPACER RING         |           | 1       |
| 502 26 95-01 | SEALING RING HOLDER |           | 1       |
| 502 27 25-01 | DRIVER              |           | 1       |
| 502 27 28-01 | WASHER              |           | 1       |
| 502 28 55-01 | BEARING HOUSING     |           | 1       |
| 502 28 56-01 | CUP                 |           | 1       |
| 502 28 57-02 | GEAR                |           | 1       |
| 502 28 62-01 | WASHER              |           | 1       |
| 503 20 02-16 | SCREW IHSCFM        |           | 1       |
| 503 20 02-16 | SCREW IHSCFM        |           | 1       |
| 503 20 02-30 | SCREW IHSCFM        |           | 1       |
| 537 01 40-01 | DRIVE SHAFT ASSY    | 245 RX    | 1       |
| 537 01 40-02 | DRIVE SHAFT ASSY    | 240R,245R | 1       |
| 537 02 76-02 | LABEL               |           | 1       |
| 735 31 17-00 | CIRCLIP             |           | 1       |
| 738 21 02-00 | BALL BEARING        |           | 2       |
| 738 21 02-04 | BALL BEARING        |           | 1       |
| 738 22 03-25 | BALL BEARING        |           | 1       |
| 740 42 21-00 | O-RING              |           | 1       |
| 740 42 24-00 | O-RING              |           | 1       |
| 740 44 08-00 | O-RING              |           | 1       |
| 740 51 13-01 | SEALING RING        |           | 1       |

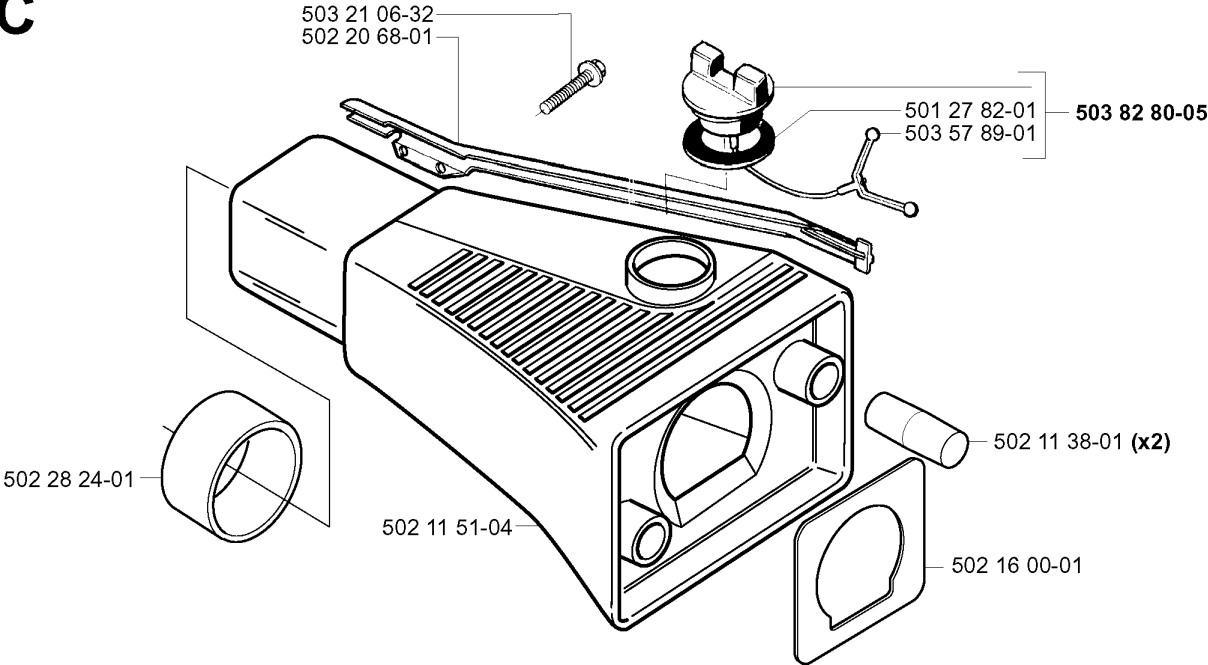


## TOWER

245, 20010100001-Current

| Part No      | Description           | Remark | QTY KIT |
|--------------|-----------------------|--------|---------|
| 502 19 71-01 | SQUARE NUT            |        | 1       |
| 502 22 15-01 | RETAINER              |        | 1       |
| 502 22 16-01 | SUSPENSION            |        | 1       |
| 502 22 53-01 | ANTIVIBRATION ELEMENT |        | 2       |
| 503 20 02-35 | SCREW IHSCFM          |        | 1       |
| 503 20 02-45 | SCREW IHSCFM          |        | 1       |
| 503 22 10-12 | HEXAGON NUT           |        | 2       |
| 503 23 00-62 | WASHER                |        | 1       |
| 503 73 45-01 | LABEL                 |        | 1       |
| 503 99 75-01 | SPACING SLEEVE        |        | 1       |
| 503 99 76-01 | KIT                   | 245 RX | 1       |
| 537 00 76-01 | CLIP                  |        | 1       |

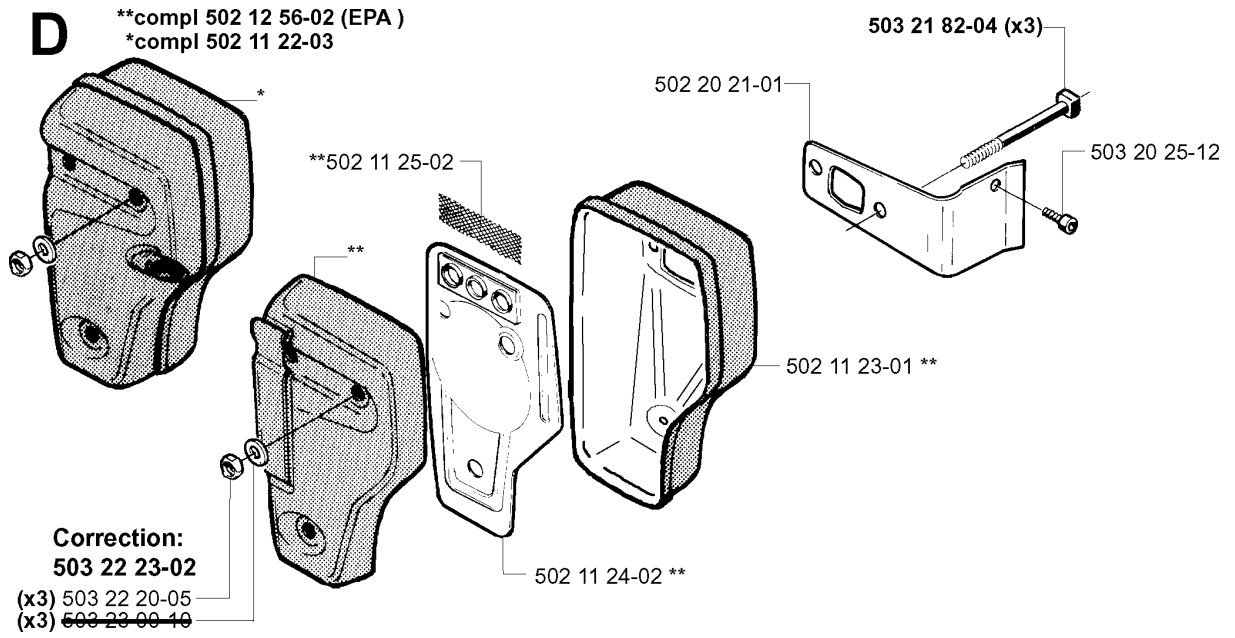
**C**



## FUEL TANK

245, 20010100001-Current

| Part No      | Description           | Remark | QTY KIT |
|--------------|-----------------------|--------|---------|
| 501 27 82-01 | GASKET                |        | 1       |
| 502 11 38-01 | ANTIVIBRATION ELEMENT |        | 2       |
| 502 11 51-04 | FUEL TANK ASSY        |        | 1       |
| 502 16 00-01 | HEAT PROTECTOR        |        | 1       |
| 502 20 68-01 | CABLE GUARD           |        | 1       |
| 502 28 24-01 | SPACER RING           |        | 1       |
| 503 21 06-32 | SCREW IHSCT           |        | 1       |
| 503 57 89-01 | HOLDER                |        | 1       |
| 503 82 80-05 | TANK CAP ASSY         |        | 1       |



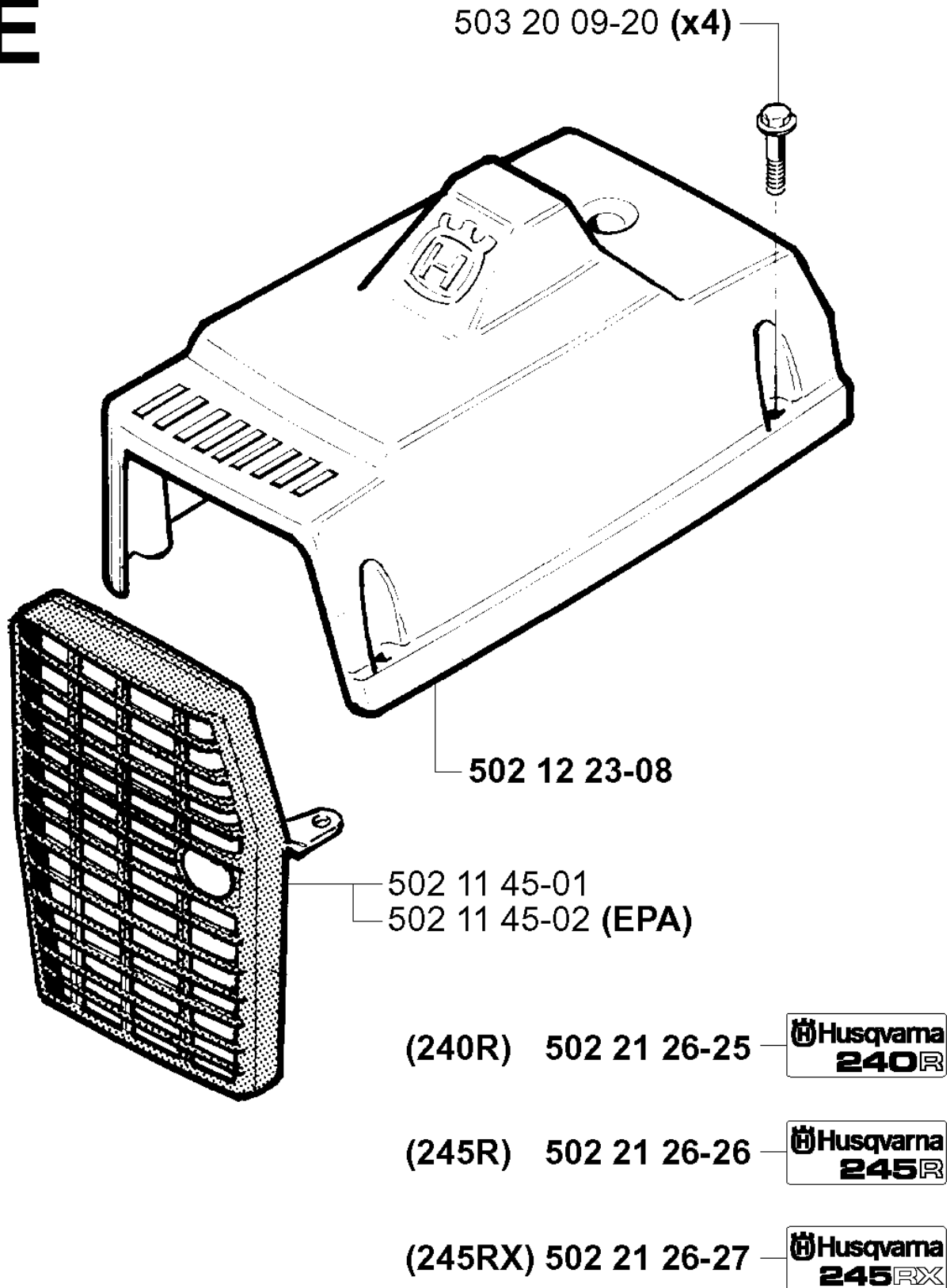


## MUFFLER

245, 20010100001-Current

| Part No      | Description           | Remark | QTY KIT |
|--------------|-----------------------|--------|---------|
| 502 11 22-03 | MUFFLER ASSY          |        | 1       |
| 502 11 23-01 | MUFFLER REAR HALF     |        | 1       |
| 502 11 24-02 | BAFFLE PLATE          |        | 1       |
| 502 11 25-02 | SPARK ARRESTER SCREEN |        | 1       |
| 502 12 56-02 | MUFFLER ASSY          | EPA    | 1       |
| 502 20 21-01 | HEAT DEFLECTOR        |        | 1       |
| 503 20 25-12 | SCREW IHSCM           |        | 1       |
| 503 21 82-04 | SCREW                 |        | 3       |
| 503 22 23-02 | LOCK NUT              |        | 1       |

**E**

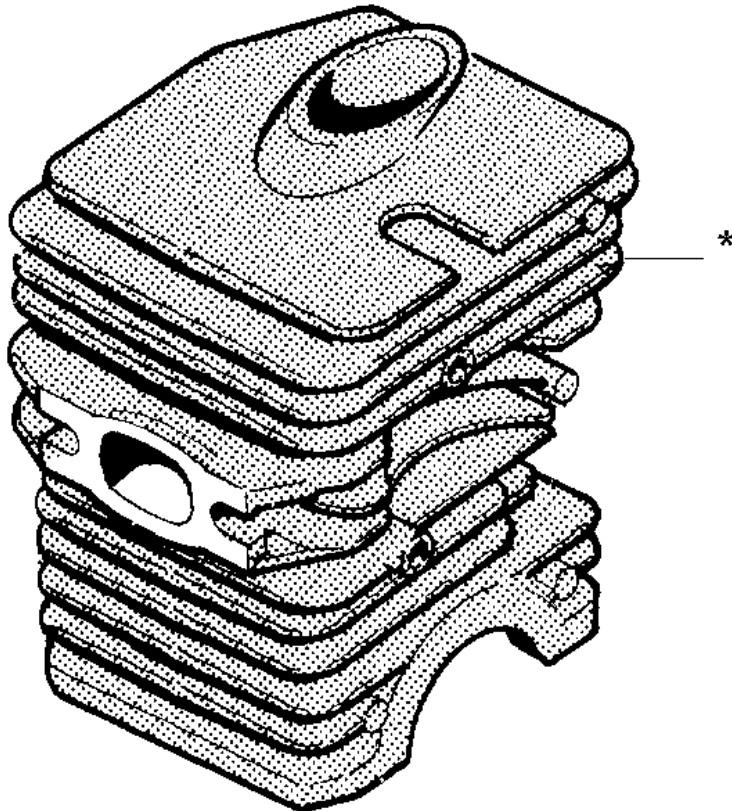


CYLINDER COVER

245, 20010100001-Current

| Part No      | Description         | Remark | QTY KIT |
|--------------|---------------------|--------|---------|
| 502 11 45-01 | HEAT PROTECTOR      |        | 1       |
| 502 11 45-02 | HEAT PROTECTOR      | EPA    | 1       |
| 502 12 23-08 | CYLINDER COVER ASSY |        | 1       |
| 502 21 26-25 | DECAL               | 240R   | 1       |
| 502 21 26-26 | DECAL               | 245R   | 1       |
| 502 21 26-27 | DECAL               | 245RX  | 1       |
| 503 20 09-20 | SCREW IHSCFMO       |        | 4       |

**F** \*compl 506 01 06-07 (240R)  
\*compl 503 44 08-02 (245R, 245RX)

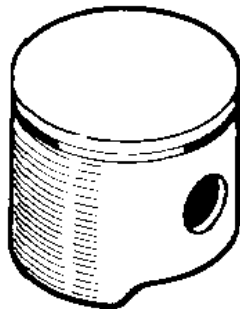


\*503 48 90-01  
(240R)  
\*503 44 10-01  
(245R, 245RX)



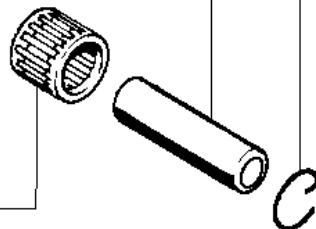
503 28 90-03  
(240R)

503 28 90-05  
(245R, 245RX)



737 44 10-00

\*501 45 16-01



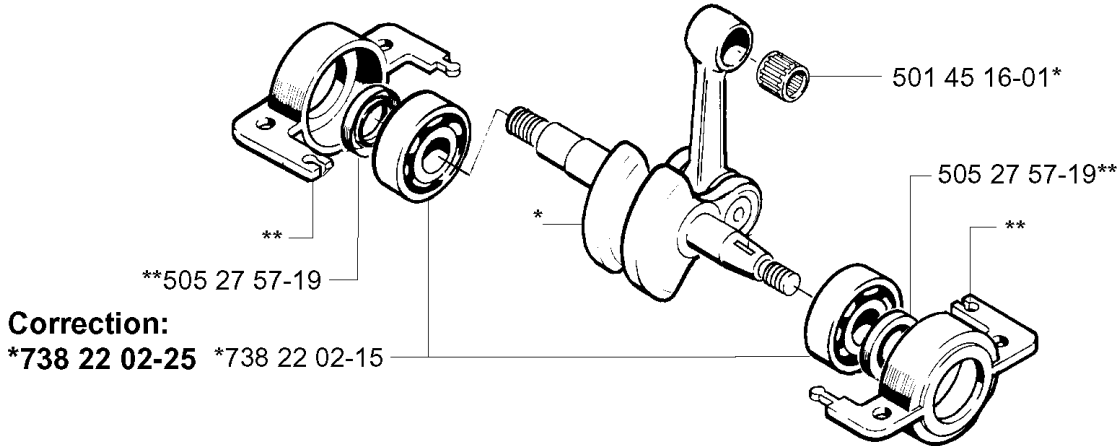
## CYLINDER PISTON

245, 20010100001-Current

| Part No      | Description    | Remark      | QTY KIT |
|--------------|----------------|-------------|---------|
| 501 45 16-01 | NEEDLE BEARING |             | 1       |
| 503 28 90-03 | PISTON RING    | 240R        | 1       |
| 503 28 90-05 | PISTON RING    | 245R, 245RX | 1       |
| 503 44 08-02 | CYLINDER ASSY  | 245R, 245RX | 1       |
| 503 44 10-01 | PISTON ASSY    | 245R,245RX  | 1       |
| 503 48 90-01 | PISTON ASSY    | 240R        | 1       |
| 506 01 06-07 | CYLINDER ASSY  | 240R        | 1       |
| 737 44 10-00 | SNAP RING      |             | 1       |

**G**

\*compl 503 57 38-06  
\*\*compl 502 23 02-01



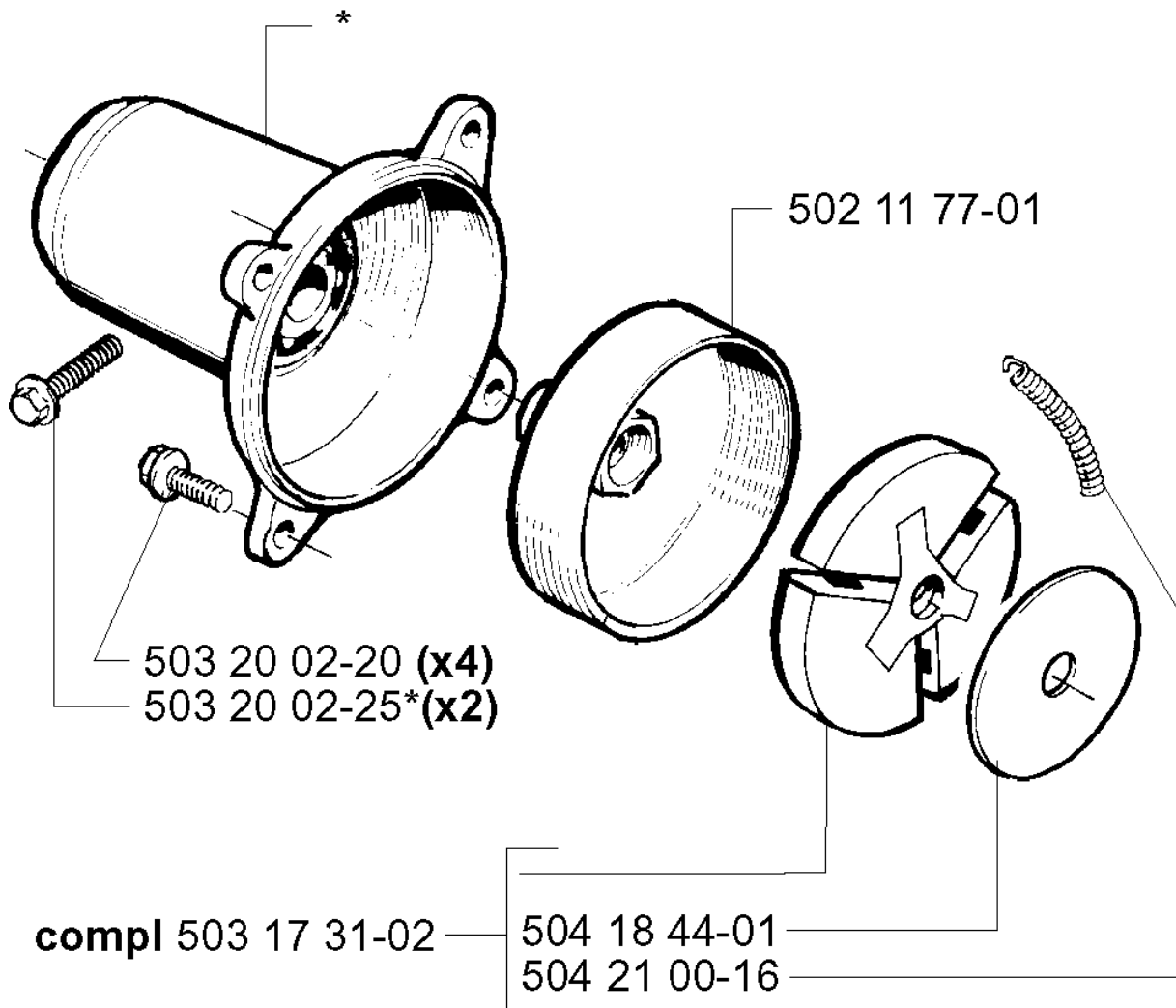
CRANKSHAFT

245, 20010100001-Current

| Part No      | Description     | Remark | QTY KIT |
|--------------|-----------------|--------|---------|
| 501 45 16-01 | NEEDLE BEARING  |        | 1       |
| 502 23 02-01 | SHAFT SEAT      |        | 1       |
| 503 57 38-06 | CRANKSHAFT ASSY |        | 1       |
| 505 27 57-19 | SEALING RING    |        | 1       |
| 505 27 57-19 | SEALING RING    |        | 1       |
| 738 22 02-25 | BALL BEARING    |        | 1       |

**H**

**\*compl 502 11 52-01**



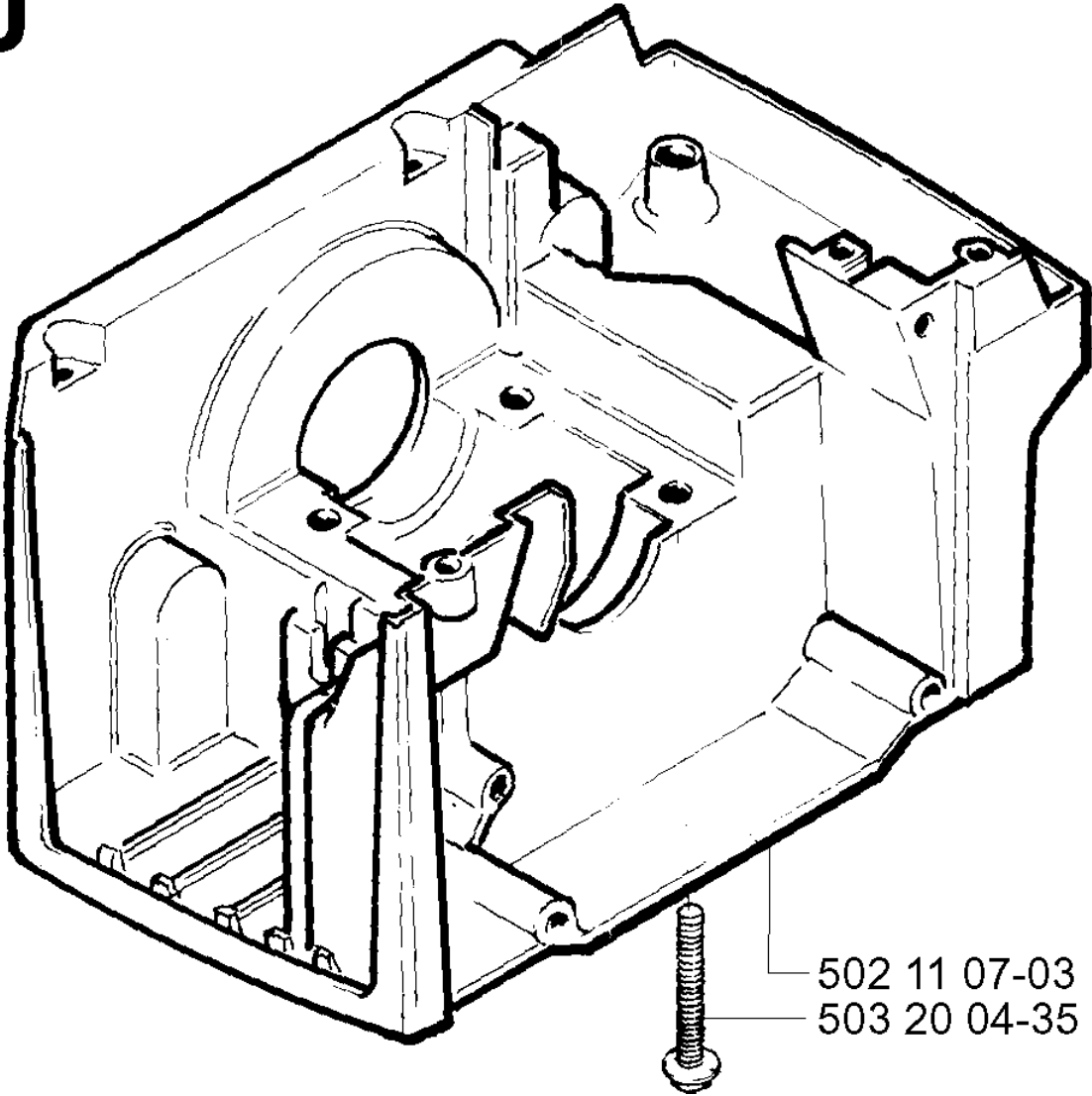


CLUTCH

245, 20010100001-Current

| Part No      | Description       | Remark | QTY KIT |
|--------------|-------------------|--------|---------|
| 502 11 52-01 | CLUTCH COVER ASSY |        | 1       |
| 502 11 77-01 | CLUTCH DRUM ASSY  |        | 1       |
| 503 17 31-02 | CLUTCH            |        | 1       |
| 503 20 02-20 | SCREW IHSCFM      |        | 4       |
| 503 20 02-25 | SCREW IHSCFM      |        | 2       |
| 504 18 44-01 | WASHER            |        | 1       |
| 504 21 00-16 | CLUTCH SPRING     |        | 1       |

J



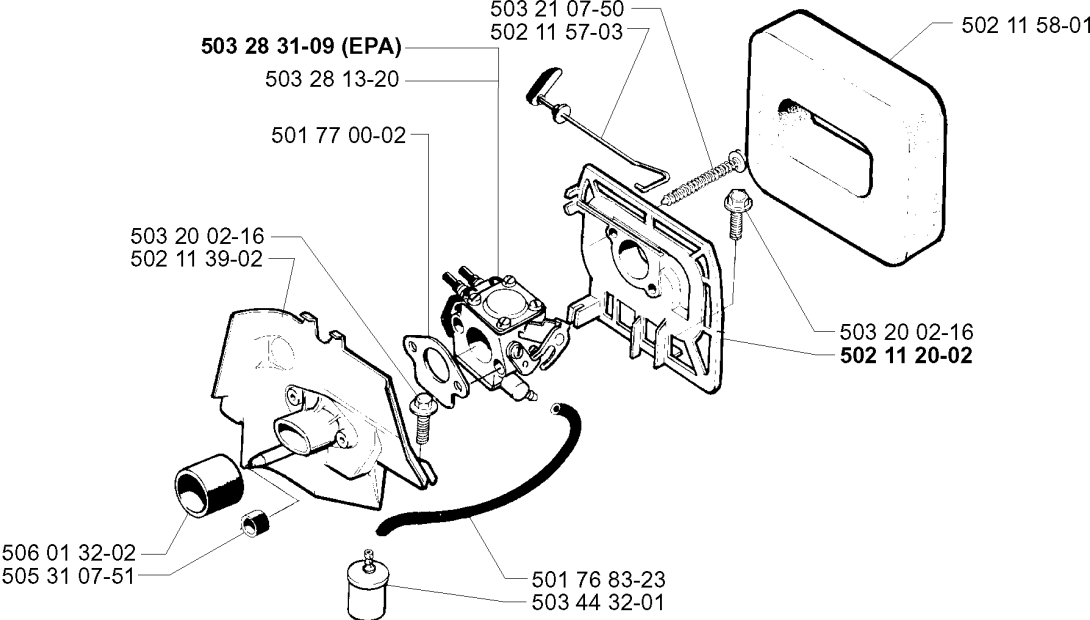
502 11 07-03  
503 20 04-35 (x4)

CRANKCASE

245, 20010100001-Current

| Part No      | Description  | Remark | QTY KIT |
|--------------|--------------|--------|---------|
| 502 11 07-03 | CRANKCASE    |        | 1       |
| 503 20 04-35 | SCREW IHSCFM |        | 4       |

**K**

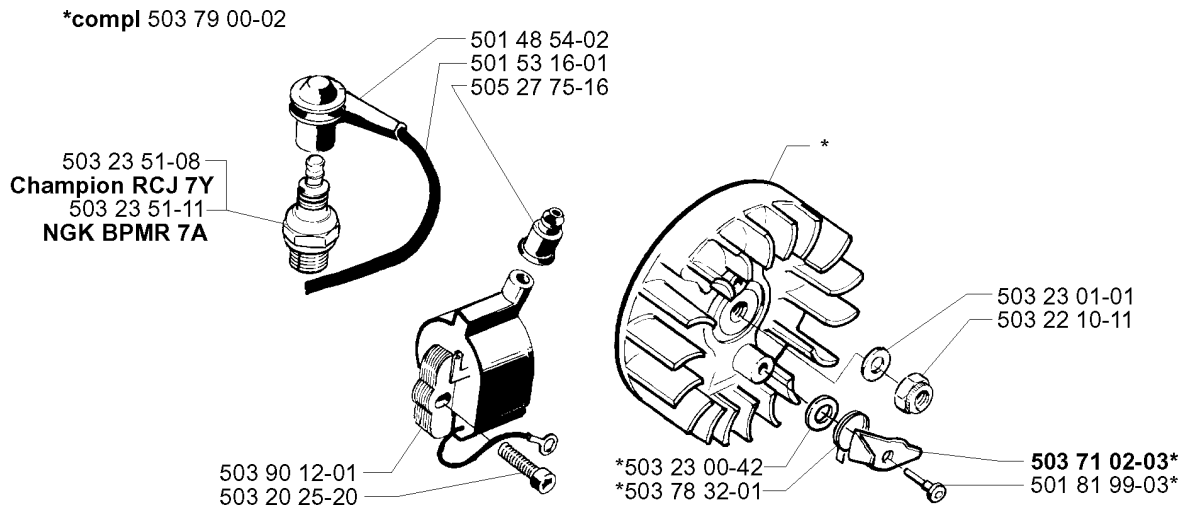


## CARBURETOR &amp; AIR FILTER

245, 20010100001-Current

| Part No      | Description     | Remark | QTY KIT |
|--------------|-----------------|--------|---------|
| 501 76 83-23 | FUEL HOSE       |        | 1       |
| 501 77 00-02 | GASKET          |        | 1       |
| 502 11 20-02 | FILTER HOLDER   |        | 1       |
| 502 11 39-02 | INSULATION WALL |        | 1       |
| 502 11 57-03 | CHOKE CONTROL   |        | 1       |
| 502 11 58-01 | AIR FILTER      |        | 1       |
| 503 20 02-16 | SCREW IHSCFM    |        | 1       |
| 503 20 02-16 | SCREW IHSCFM    |        | 1       |
| 503 21 07-50 | SCREW IHSCFT    |        | 1       |
| 503 28 13-20 | CARBURETTOR     |        | 1       |
| 503 28 31-09 | CARBURETTOR     | EPA    | 1       |
| 503 44 32-01 | FUEL FILTER     |        | 1       |
| 505 31 07-51 | IMPULSE HOSE    |        | 1       |
| 506 01 32-02 | INLET PIPE      |        | 1       |

L



## IGNITION SYSTEM

245, 20010100001-Current

| Part No      | Description       | Remark          | QTY KIT |
|--------------|-------------------|-----------------|---------|
| 501 48 54-02 | SPARK PLUG CAP    |                 | 1       |
| 501 53 16-01 | CABLE             |                 | 1       |
| 501 81 99-03 | SCREW             |                 | 1       |
| 503 20 25-20 | SCREW IHSCM       |                 | 1       |
| 503 22 10-11 | HEXAGON NUT       |                 | 1       |
| 503 23 00-42 | WASHER            |                 | 1       |
| 503 23 01-01 | WASHER            |                 | 1       |
| 503 23 51-08 | SPARK PLUG        | CHAMPION RCJ 7Y | 1       |
| 503 23 51-11 | SPARK PLUG        | NGK BPMR 7A     | 1       |
| 503 71 02-03 | STARTER PAWL      |                 | 1       |
| 503 78 32-01 | SPRING            |                 | 1       |
| 503 79 00-02 | FLYWHEEL          |                 | 1       |
| 503 90 12-01 | ELECTRONIC MODULE |                 | 1       |
| 505 27 75-16 | CABLE SLEEVE      |                 | 1       |

**M**

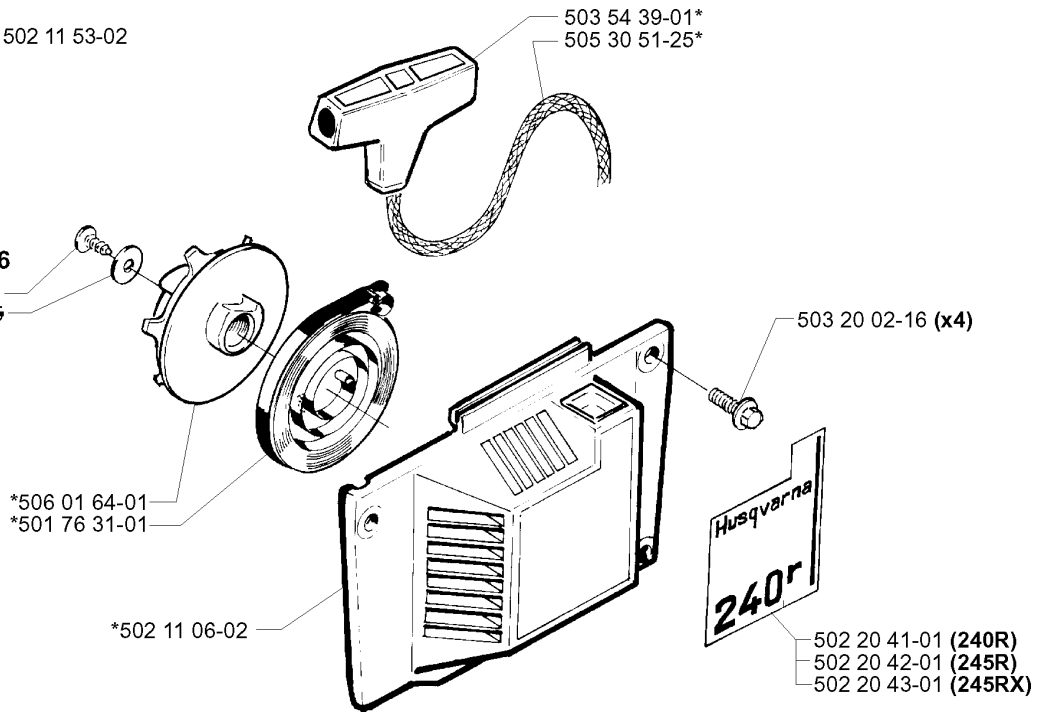
\*compl 502 11 53-02

**Correction:**

\*503 21 77-16

\*729 24 12-01

\*503 23 00-05





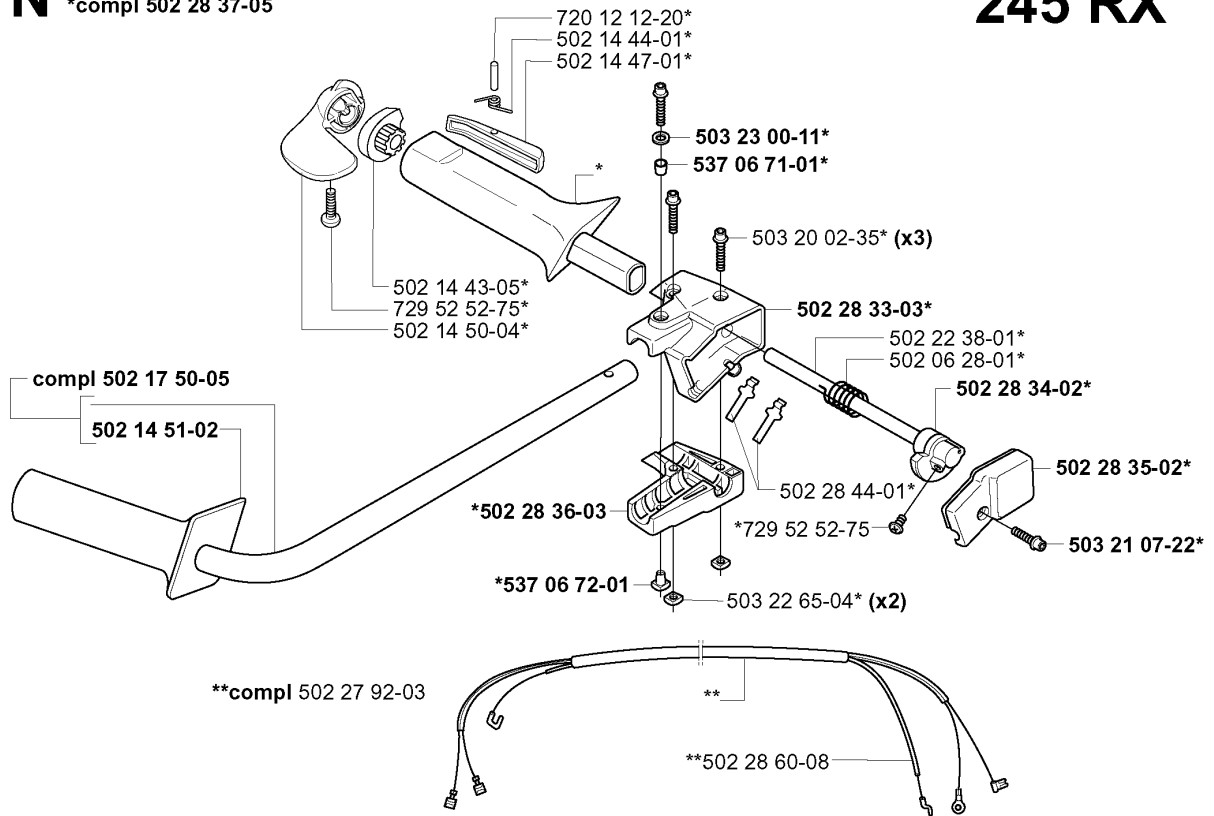
## STARTER

245, 20010100001-Current

| Part No      | Description          | Remark | QTY KIT |
|--------------|----------------------|--------|---------|
| 501 76 31-01 | SPRING CASSETTE ASSY |        | 1       |
| 502 11 06-02 | STARTER HOUSING      |        | 1       |
| 502 11 53-02 | STARTER              |        | 1       |
| 502 20 41-01 | DECAL                | 240R   | 1       |
| 502 20 42-01 | DECAL                | 245R   | 1       |
| 502 20 43-01 | DECAL                | 245RX  | 1       |
| 503 20 02-16 | SCREW IHSCFM         |        | 4       |
| 503 21 77-16 | SCREW IHST           |        | 1       |
| 503 54 39-01 | STARTER HANDLE       |        | 1       |
| 505 30 51-25 | STARTER CORD         |        | 1       |
| 506 01 64-01 | STARTER PULLEY       |        | 1       |

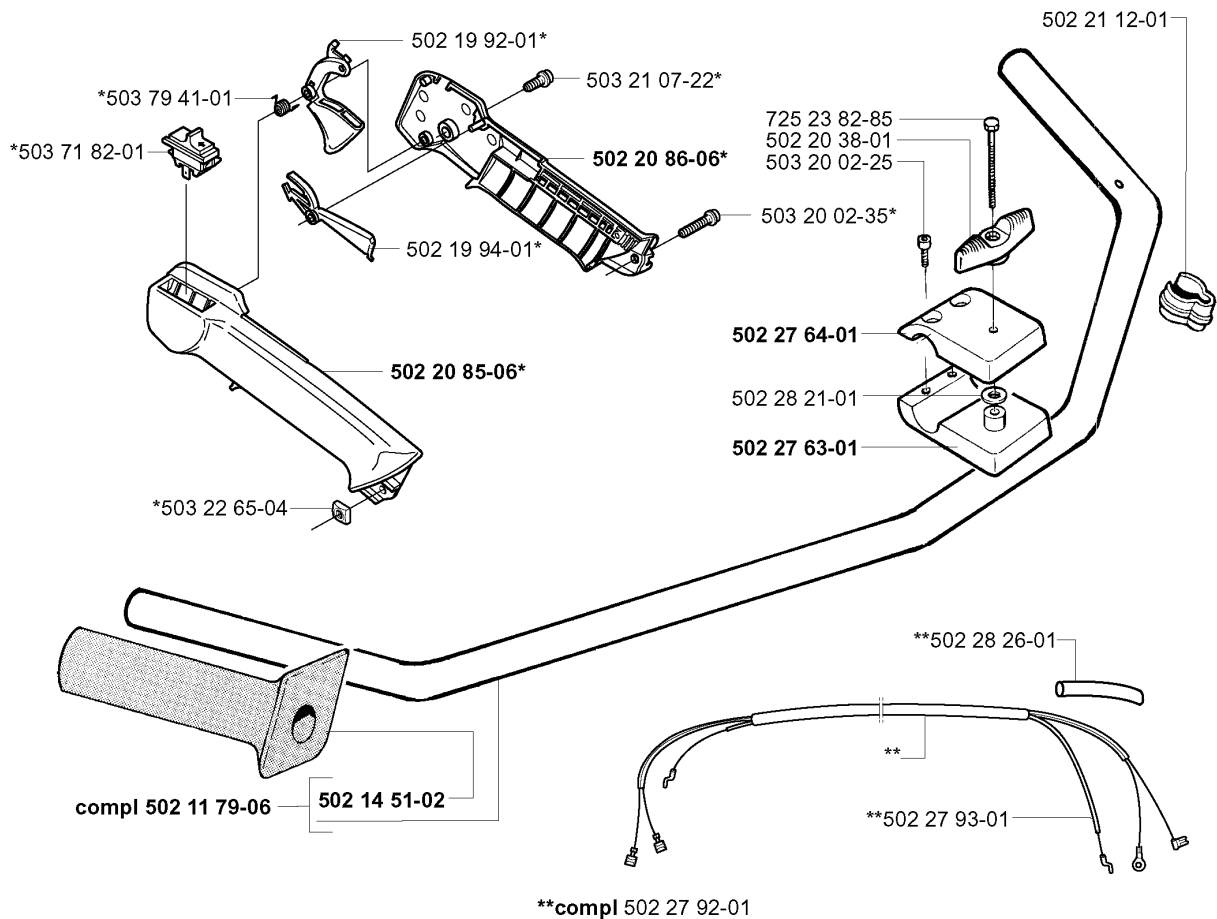
**N** \*compl 502 28 37-05

# 245 RX



**P** \*compl 502 28 06-11

# 240R, 245R



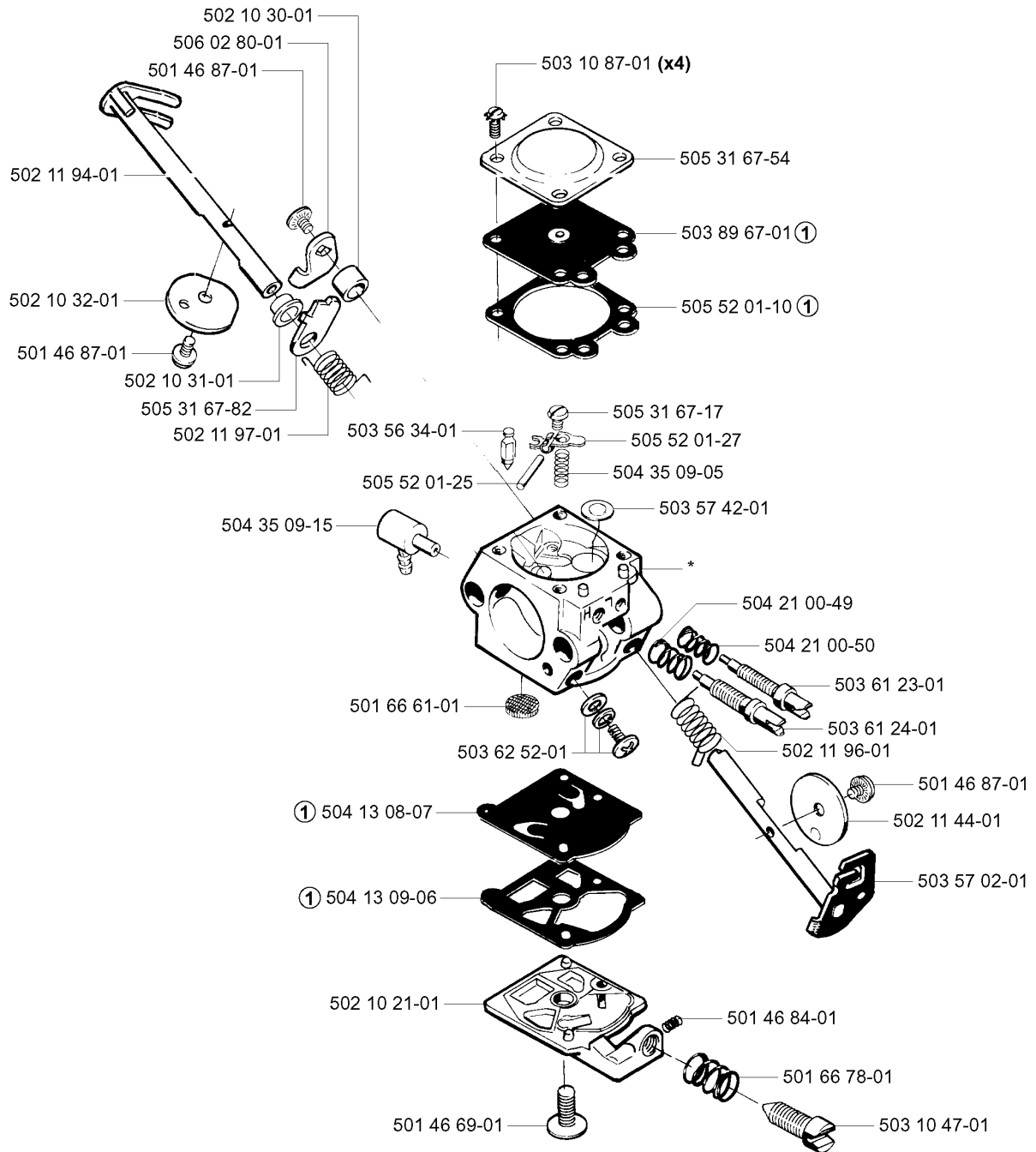
## HANDLE &amp; CONTROLS

245, 20010100001-Current

| Part No      | Description          | Remark | QTY KIT |
|--------------|----------------------|--------|---------|
| 502 06 28-01 | RECOIL SPRING        |        | 1       |
| 502 11 79-06 | HANDLEBAR            |        | 1       |
| 502 14 43-05 | BUSHING              |        | 1       |
| 502 14 44-01 | SPRING               |        | 1       |
| 502 14 47-01 | THROTTLE LOCKOUT     |        | 1       |
| 502 14 50-04 | THROTTLE TRIGGER     |        | 1       |
| 502 14 51-02 | HANDLE               |        | 1       |
| 502 17 50-05 | HANDLEBAR LEFT       |        | 1       |
| 502 19 92-01 | THROTTLE TRIGGER     |        | 1       |
| 502 19 94-01 | THROTTLE LOCKOUT     |        | 1       |
| 502 20 38-01 | KNOB                 |        | 1       |
| 502 20 85-06 | HANDLE HALF          |        | 1       |
| 502 21 12-01 | STAPLE               |        | 1       |
| 502 22 38-01 | PIPE                 |        | 1       |
| 502 27 63-01 | HANDLEBAR BRACKET    |        | 1       |
| 502 27 64-01 | HANDLEBAR BRACKET    |        | 1       |
| 502 27 92-01 | WIRING ASSY          |        | 1       |
| 502 27 92-03 | WIRING ASSY          |        | 1       |
| 502 27 93-01 | GAS WIRE ASSY        |        | 1       |
| 502 28 06-11 | HANDLE               |        | 1       |
| 502 28 21-01 | WASHER               |        | 1       |
| 502 28 26-01 | HOSE                 |        | 1       |
| 502 28 33-03 | HANDLE               |        | 1       |
| 502 28 34-02 | STARTER PULLEY       |        | 1       |
| 502 28 35-02 | HUB CAP              |        | 1       |
| 502 28 36-03 | CLAMP                |        | 1       |
| 502 28 37-05 | THROTTLE HANDLE ASSY |        | 1       |
| 502 28 44-01 | SPRING               |        | 1       |
| 502 28 60-08 | GAS WIRE             |        | 1       |
| 503 20 02-25 | SCREW IHSCFM         |        | 1       |
| 503 20 02-35 | SCREW IHSCFM         |        | 3       |
| 503 21 07-22 | SCREW IHSCFM         |        | 1       |
| 503 22 65-04 | SQUARE NUT           |        | 2       |
| 503 23 00-11 | WASHER               |        | 1       |
| 503 71 82-01 | SWITCH               |        | 1       |
| 503 79 41-01 | RECOIL SPRING        |        | 1       |
| 537 06 71-01 | SLEEVE               |        | 1       |
| 537 06 72-01 | NUT SQUARE           |        | 1       |
| 720 12 12-20 | PARALLEL PIN         |        | 1       |
| 725 23 82-85 | SCREW EHHM           |        | 1       |
| 729 52 52-75 | SCREW CRPANT         |        | 1       |
| 729 52 52-75 | SCREW CRPANT         |        | 1       |

**Q** compl 503 28 13-20

**Walbro WT 99**



① 502 10 35-01  
**Set of gaskets**  
**Dichtungssatz**  
**Juego de juntas**  
**Jeu de joints**  
**Packningssats**

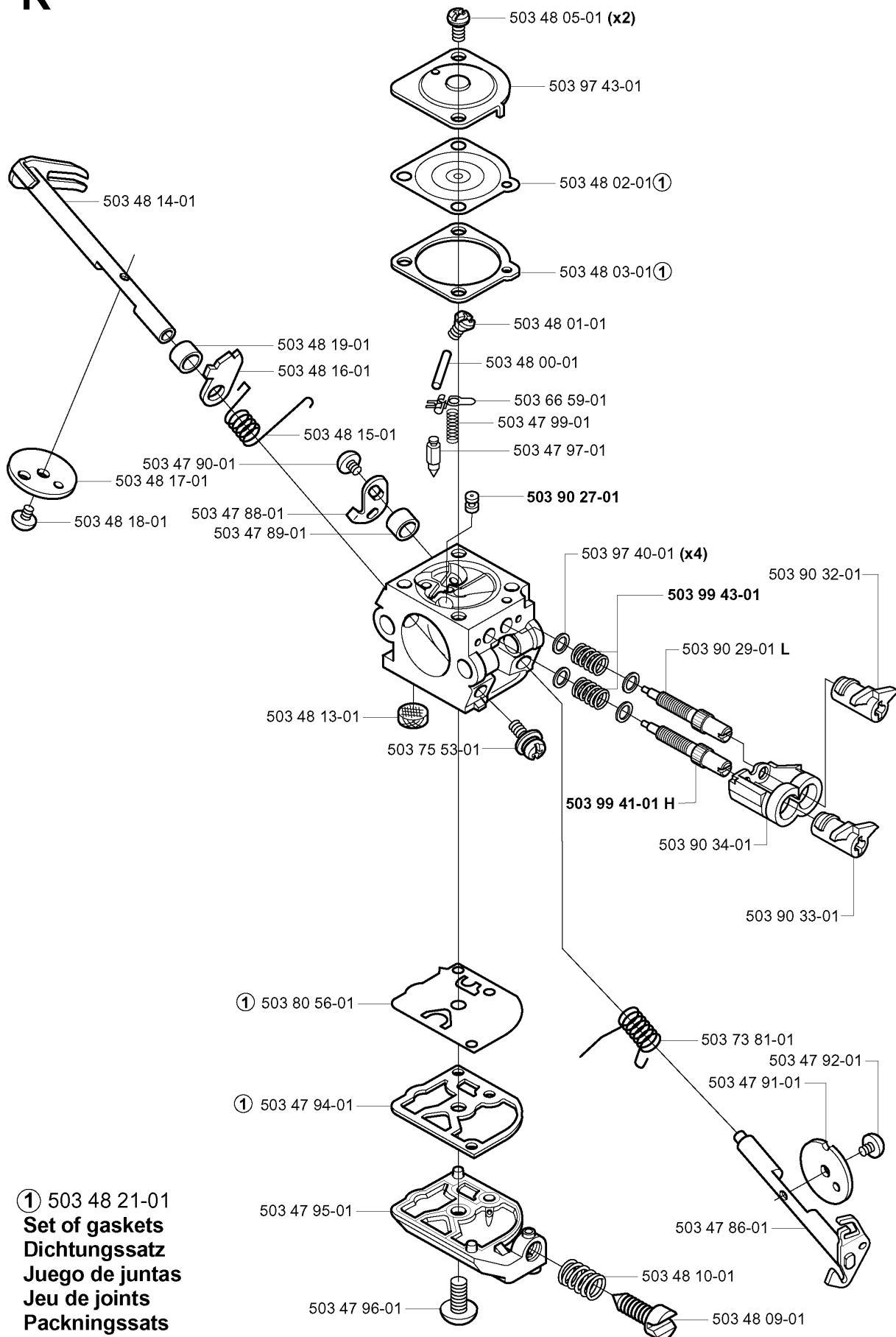
## CARBURETOR DETAILS

245, 20010100001-Current

| Part No      | Description       | Remark                      | QTY KIT |
|--------------|-------------------|-----------------------------|---------|
| 501 46 69-01 | SCREW             |                             | 1       |
| 501 46 84-01 | SPRING            |                             | 1       |
| 501 46 87-01 | SCREW             |                             | 1       |
| 501 46 87-01 | SCREW             |                             | 1       |
| 501 46 87-01 | SCREW             |                             | 1       |
| 501 66 61-01 | SCREEN            |                             | 1       |
| 501 66 78-01 | SPRING            |                             | 1       |
| 502 10 21-01 | LOCK PUMPSIDA     |                             | 1       |
| 502 10 30-01 | DISTANCE          |                             | 1       |
| 502 10 31-01 | BUSHING           |                             | 1       |
| 502 10 32-01 | CHOKE SKIVA       |                             | 1       |
| 502 10 35-01 | GASKET KIT        |                             | 1       |
| 502 11 44-01 | THROTTLE DISC     |                             | 1       |
| 502 11 94-01 | CHOKE SHAFT       |                             | 1       |
| 502 11 96-01 | RECOIL SPRING     |                             | 1       |
| 502 11 97-01 | RECOIL SPRING     |                             | 1       |
| 503 10 47-01 | SCREW             |                             | 1       |
| 503 10 87-01 | SCREW             |                             | 4       |
| 503 28 13-20 | CARBURETTOR       |                             | 1       |
| 503 56 34-01 | NEEDLE VALVE      |                             | 1       |
| 503 57 02-01 | SHAFT ASSY        |                             | 1       |
| 503 57 42-01 | PLUG              |                             | 1       |
| 503 61 23-01 | NEEDLE IDLE SPEED |                             | 1       |
| 503 61 24-01 | NEEDLE-HIGH SPEED |                             | 1       |
| 503 62 52-01 | SCREW ASSY        |                             | 1       |
| 503 89 67-01 | DIAPHRAGM         | 502 10 35-01 SET OF GASKETS | 1       |
| 504 13 08-07 | DIAPHRAGM PUMP    | 502 10 35-01 SET OF GASKETS | 1       |
| 504 13 09-06 | GASKET            | 502 10 35-01 SET OF GASKETS | 1       |
| 504 21 00-49 | SPRING            |                             | 1       |
| 504 21 00-50 | SPRING            |                             | 1       |
| 504 35 09-05 | SPRING            |                             | 1       |
| 504 35 09-15 | FITTING           |                             | 1       |
| 505 31 67-17 | SCREW             |                             | 1       |
| 505 31 67-54 | LOCK STYRMEMBRAN  |                             | 1       |
| 505 31 67-82 | LEVER             |                             | 1       |
| 505 52 01-10 | GASKET            | 502 10 35-01 SET OF GASKETS | 1       |
| 505 52 01-25 | PIN               |                             | 1       |
| 505 52 01-27 | LEVER             |                             | 1       |
| 506 02 80-01 | STARTGASARM       |                             | 1       |

**R** compl 503 28 31-09

**ZAMA C1Q - EL 10 (EPA)**



① 503 48 21-01  
**Set of gaskets**  
**Dichtungssatz**  
**Juego de juntas**  
**Jeu de joints**  
**Packningssats**

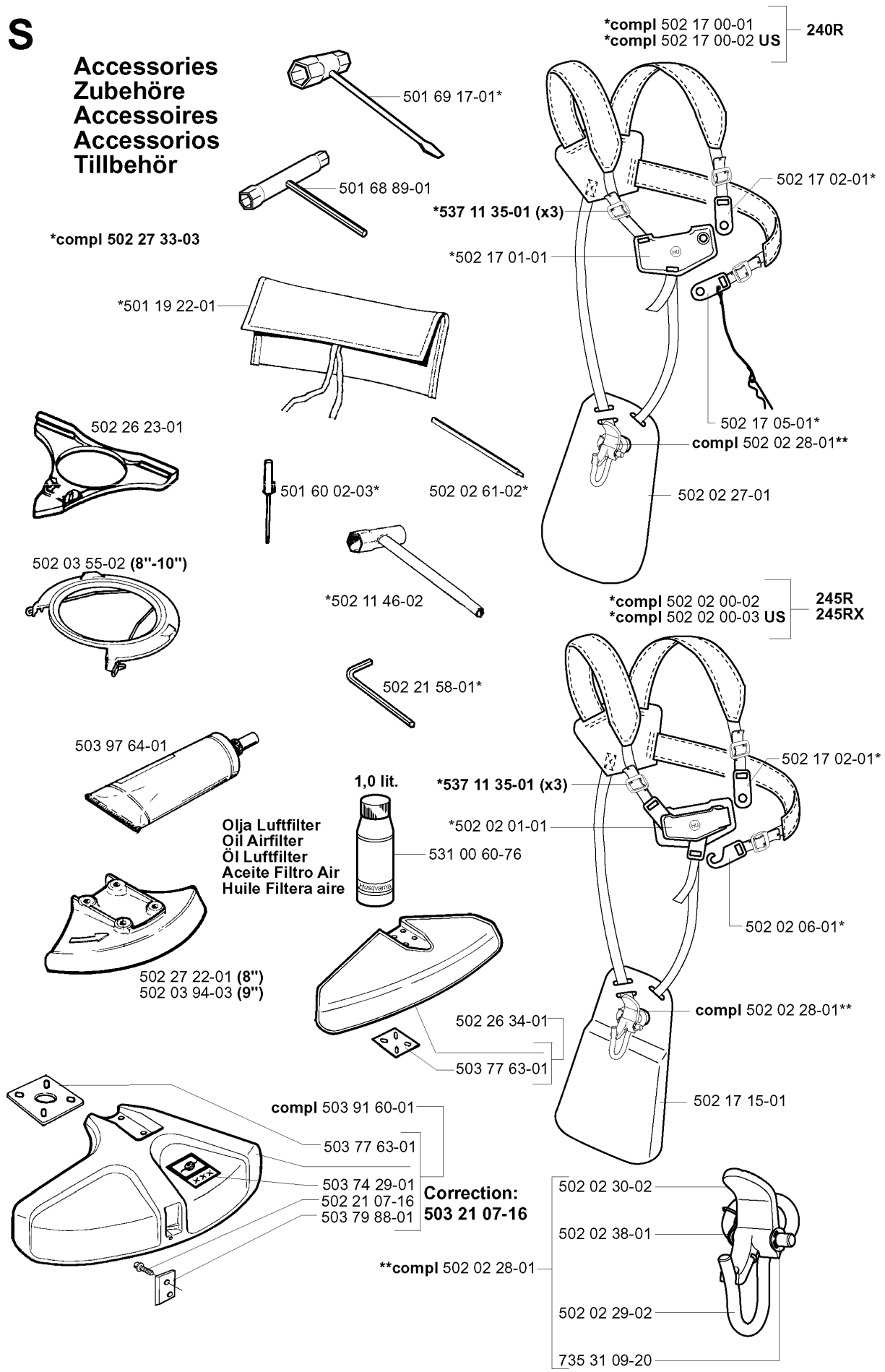
## CARBURETOR DETAILS

245, 20010100001-Current

| Part No      | Description         | Remark                      | QTY KIT |
|--------------|---------------------|-----------------------------|---------|
| 503 28 31-09 | CARBURETTOR         |                             | 1       |
| 503 47 86-01 | SHAFT ASSY          |                             | 1       |
| 503 47 88-01 | LEVER               |                             | 1       |
| 503 47 89-01 | COLLAR              |                             | 1       |
| 503 47 90-01 | SCREW               |                             | 1       |
| 503 47 91-01 | VALVE               |                             | 1       |
| 503 47 92-01 | SCREW               |                             | 1       |
| 503 47 94-01 | GASKET              | 503 48 21-01 SET OF GASKETS | 1       |
| 503 47 95-01 | COVER               |                             | 1       |
| 503 47 96-01 | SCREW               |                             | 1       |
| 503 47 97-01 | VALVE               |                             | 1       |
| 503 47 99-01 | SPRING              |                             | 1       |
| 503 48 00-01 | PIN RETAINING SCREW |                             | 1       |
| 503 48 01-01 | SCREW               |                             | 1       |
| 503 48 02-01 | DIAPHRAGM           | 503 48 21-01 SET OF GASKETS | 1       |
| 503 48 03-01 | GASKET              | 503 48 21-01 SET OF GASKETS | 1       |
| 503 48 05-01 | SCREW               |                             | 2       |
| 503 48 09-01 | SCREW               |                             | 1       |
| 503 48 10-01 | SPRING              |                             | 1       |
| 503 48 13-01 | STRAINER            |                             | 1       |
| 503 48 14-01 | SHAFT ASSY          |                             | 1       |
| 503 48 15-01 | SPRING              |                             | 1       |
| 503 48 16-01 | LEVER               |                             | 1       |
| 503 48 17-01 | VALVE               |                             | 1       |
| 503 48 18-01 | SCREW               |                             | 1       |
| 503 48 19-01 | COLLAR              |                             | 1       |
| 503 48 21-01 | DIAPHRAGM           |                             | 1       |
| 503 66 59-01 | LEVER               |                             | 1       |
| 503 73 81-01 | RECOIL SPRING       |                             | 1       |
| 503 75 53-01 | SCREW               |                             | 1       |
| 503 80 56-01 | DIAPHRAGM PUMP      | 503 48 21-01 SET OF GASKETS | 1       |
| 503 90 27-01 | NOZZLE ASSY         |                             | 1       |
| 503 90 29-01 | SCREW               | L                           | 1       |
| 503 90 32-01 | LIMITER CAP         |                             | 1       |
| 503 90 33-01 | LIMITER CAP         |                             | 1       |
| 503 90 34-01 | RETAINER            |                             | 1       |
| 503 97 40-01 | WASHER              |                             | 4       |
| 503 97 43-01 | COVER               |                             | 1       |
| 503 99 41-01 | NEEDLE              | H                           | 1       |
| 503 99 43-01 | SPRING              |                             | 1       |

**S**

**Accessories  
Zubehöre  
Accessoires  
Accessorios  
Tillbehör**





## ACCESSORIES

245, 20010100001-Current

| Ref          | Part No      | Description        | Remark        | QTY KIT |
|--------------|--------------|--------------------|---------------|---------|
| 501 06 02-03 | 501 60 02-03 | SCREWDRIVER        |               | 1       |
| 502 27 33-03 | 502 27 33-03 | TOOL KIT           |               | 1       |
| 501 19 22-01 | 501 19 22-01 | TOOL               |               | 1       |
| 502 26 23-01 | 502 26 23-01 | TRIMMER GUARD ASSY |               | 1       |
| 502 03 55-02 | 502 03 55-02 | TRANSPORTSKYDD KPL | 8             | 1       |
| 503 97 64-01 | 503 97 64-01 | GREASE             |               | 1       |
| 502 27 22-01 | 502 27 22-01 | SAW BLADE GUARD    | 8             | 1       |
| 502 03 94-03 | 502 03 94-03 | SAW BLADE GUARD    | 9             | 1       |
| 503 79 88-01 | 503 79 88-01 | BLADE              |               | 1       |
| 503 74 29-01 | 503 74 29-01 | DECAL              |               | 1       |
| 503 77 63-01 | 503 77 63-01 | BASEPLATE          |               | 1       |
| 503 91 60-01 | 503 91 60-01 | TRIMMER GUARD      |               | 1       |
| 501 69 17-01 | 501 69 17-01 | COMBINATION WRENCH |               | 1       |
| 501 68 89-01 | 501 68 89-01 | COMBINATION WRENCH |               | 1       |
| 501 60 02-03 | 501 60 02-03 | SCREWDRIVER        |               | 1       |
| 502 11 46-02 | 502 11 46-02 | SOCKET WRENCH      |               | 1       |
| 502 21 58-01 | 502 21 58-01 | WRENCH             |               | 1       |
| 537 11 35-01 | 537 11 35-01 | RETAINER           |               | 3       |
| 502 02 01-01 | 502 02 01-01 | FRONT PIECE        |               | 1       |
| 531 00 60-76 | 531 00 60-76 | OIL                |               | 1       |
| 502 26 34-01 | 502 26 34-01 | SPLASH GUARD       |               | 1       |
| 503 77 63-01 | 503 77 63-01 | BASEPLATE          |               | 1       |
| 503 21 07-16 | 503 21 07-16 | SCREW IHSCT        |               | 1       |
| 502 02 28-01 | 502 02 28-01 | HOOK               |               | 1       |
| 735 31 09-20 | 735 31 09-20 | E-CLIP             |               | 1       |
| 502 02 29-02 | 502 02 29-02 | HOOK               |               | 1       |
| 502 02 38-01 | 502 02 38-01 | SPRING             |               | 1       |
| 502 02 30-02 | 502 02 30-02 | LOCK               |               | 1       |
| 502 17 15-01 | 502 17 15-01 | HIP PAD            |               | 1       |
| 502 02 28-01 | 502 02 28-01 | HOOK               |               | 1       |
| 502 02 06-01 | 502 02 06-01 | CLAMP COMPL.       |               | 1       |
| 502 17 02-01 | 502 17 02-01 | BUCKLE             |               | 1       |
| 502 02 00-03 | 502 02 00-03 | HARNESS            | US 245R 245RX | 1       |
| 502 02 00-02 | 502 02 00-02 | HARNESS            | 245R 245RX    | 1       |
| 502 02 61-02 | 502 02 61-02 | STOP               |               | 1       |
| 502 02 27-01 | 502 02 27-01 | HIP PAD            |               | 1       |
| 502 02 28-01 | 502 02 28-01 | HOOK               |               | 1       |
| 502 17 05-01 | 502 17 05-01 | BUCKLE             |               | 1       |
| 502 17 01-01 | 502 17 01-01 | FRONT PIECE        |               | 1       |
| 537 11 35-01 | 537 11 35-01 | RETAINER           |               | 3       |
| 502 17 02-01 | 502 17 02-01 | BUCKLE             |               | 1       |
| 502 17 00-02 | 502 17 00-02 | HARNESS            | US 240R       | 1       |
| 502 17 00-01 | 502 17 00-01 | HARNESS            | 240R          | 1       |