

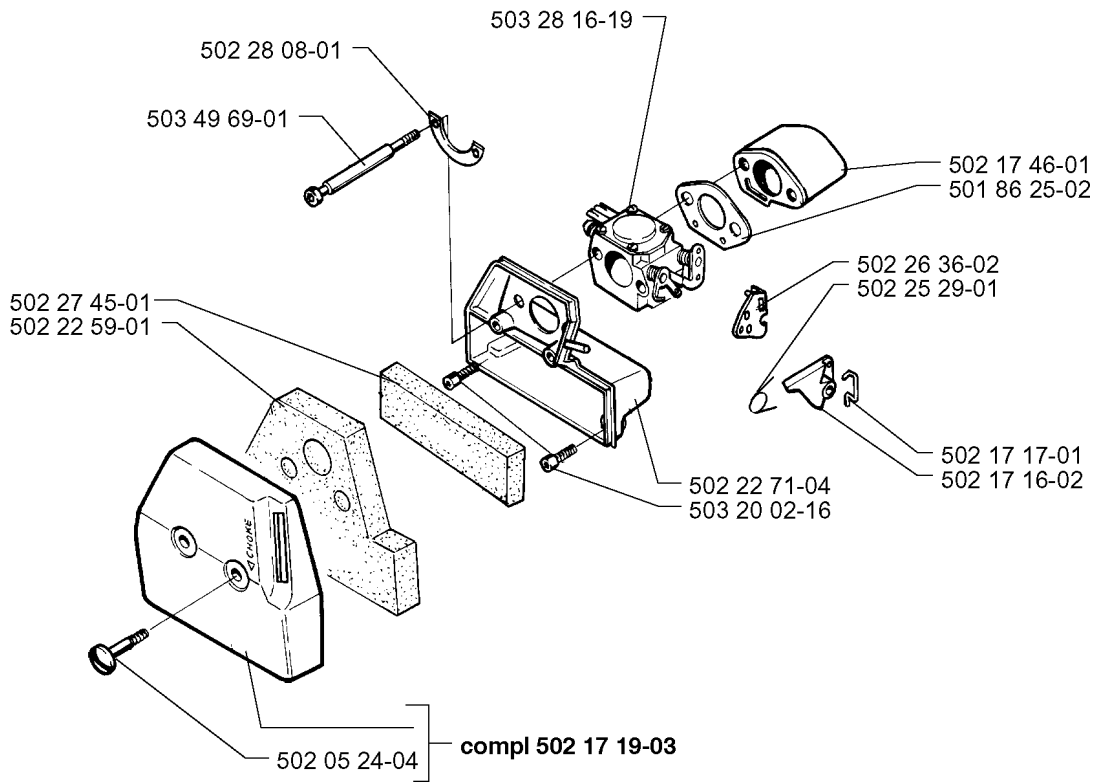


# SPARE PARTS LIST

BRUSHCUTTERS/CLEARING SAWS

250 RX, 19973100001-Current

**A**

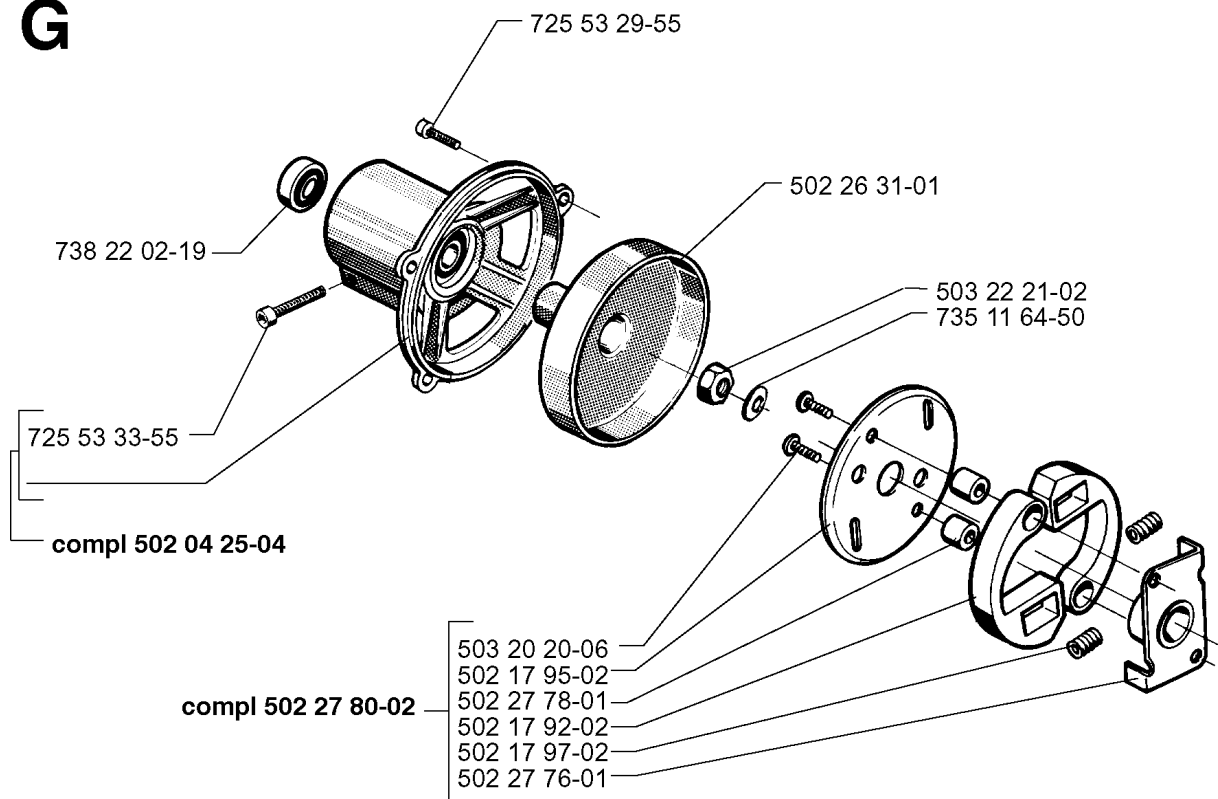


## CARBURETOR &amp; AIR FILTER

250 RX, 19973100001-Current

Part No	Description	Remark	QTY KIT
501 86 25-02	GASKET		1
502 05 24-04	SCREW		1
502 17 16-02	CHOKE CONTROL		1
502 17 17-01	LÄNKTRÅD		1
502 17 19-03	FILTER COVER		1
502 17 46-01	MANIFOLD		1
502 22 59-01	AIR FILTER		1
502 22 71-04	FILTER HOLDER		1
502 25 29-01	SPRING		1
502 26 36-02	LEVER		1
502 27 45-01	PREFILTER		1
502 28 08-01	WASHER		1
503 20 02-16	SCREW IHSCFM		1
503 28 16-19	CARBURETTOR		1
503 49 69-01	SCREW		1

**G**

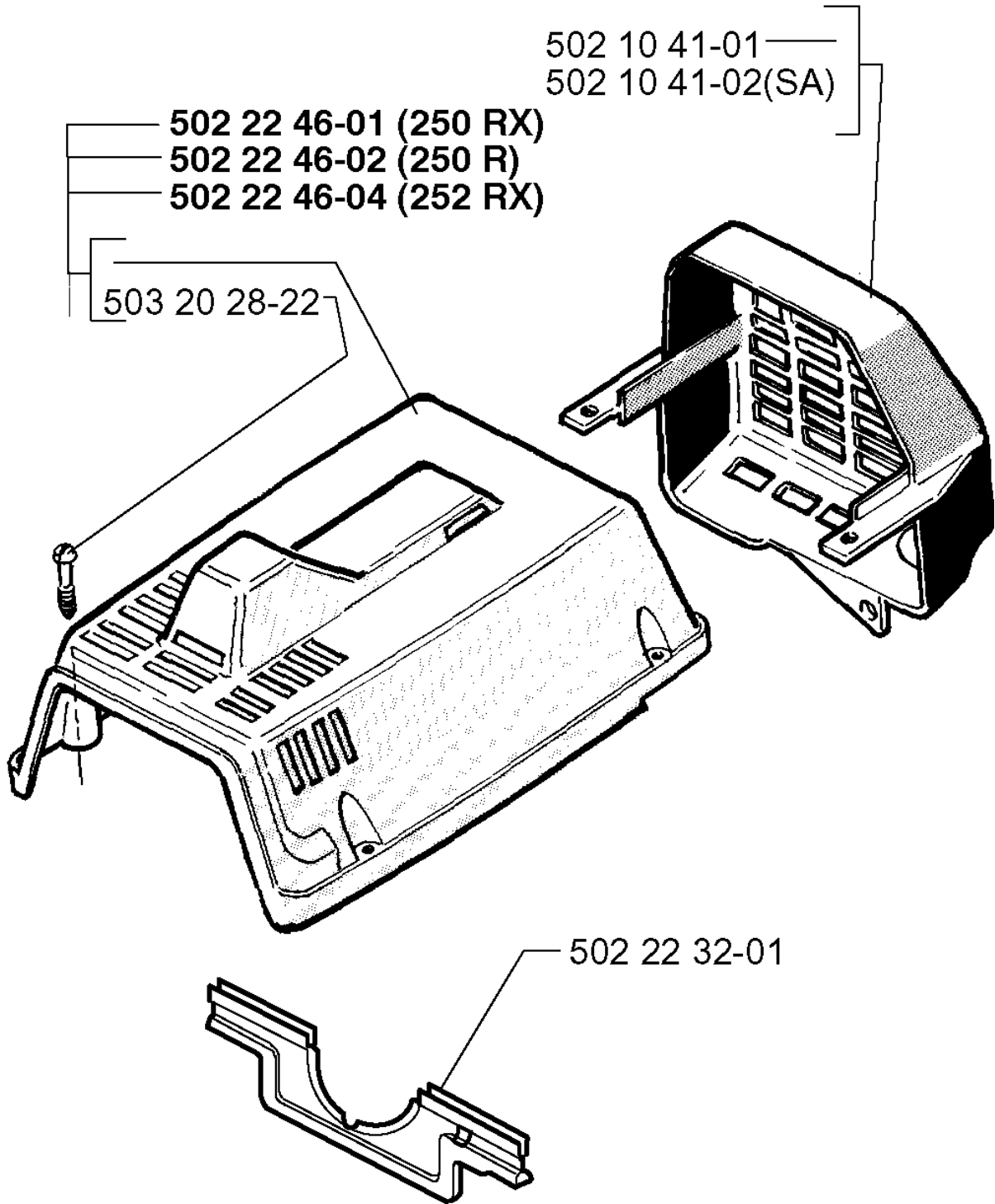


## CLUTCH

250 RX, 19973100001-Current

Part No	Description	Remark	QTY KIT
502 04 25-04	CLUTCH COVER ASSY		1
502 17 92-02	CLUTCH SHOE		1
502 17 95-02	WASHER		1
502 17 97-02	SPRING		1
502 26 31-01	CLUTCH DRUM ASSY		1
502 27 76-01	CLUTCH		1
502 27 78-01	BEARING		1
502 27 80-02	CLUTCH ASSY		1
503 20 20-06	SCREW IHSCM		1
503 22 21-02	LOCK NUT		1
725 53 29-55	SCREW IHSCM		1
725 53 33-55	SCREW IHSCM		1
735 11 64-50	SPRING WASHER		1
738 22 02-19	BALL BEARING		1

# B



## CYLINDER COVER

250 RX, 19973100001-Current

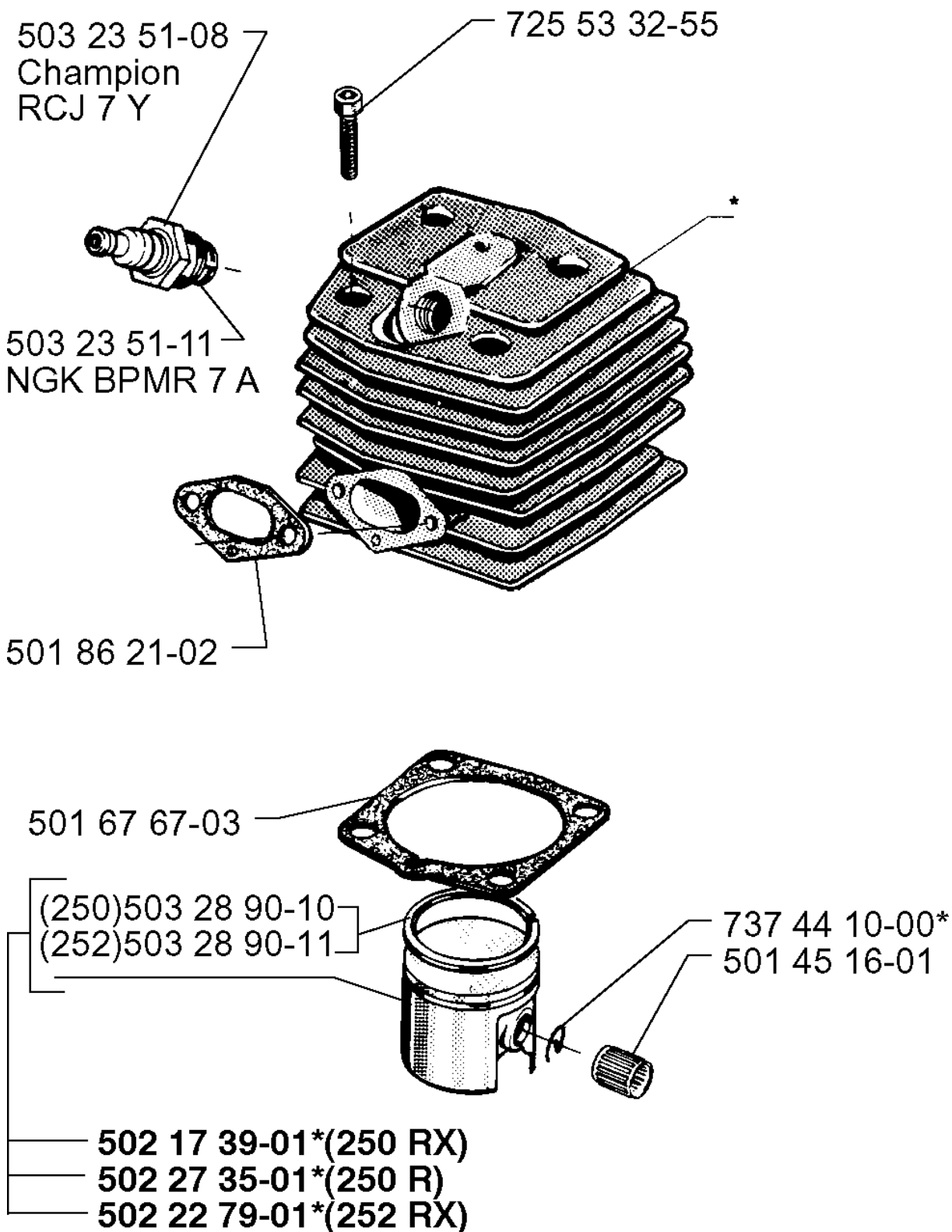
Part No	Description	Remark	QTY KIT
502 10 41-01	HEAT PROTECTOR		1
502 10 41-02	HEAT PROTECTOR	SA	1
502 22 32-01	SEALING COLLAR		1
502 22 46-01	CYLINDER COVER ASSY	250 RX	1
502 22 46-02	CYLINDER COVER ASSY	250 R	1
502 22 46-04	CYLINDER COVER ASSY	252 RX	1
503 20 28-22	SCREW IHSCMO		1

**C**

**\*compl 502 17 37-01 (250 RX)**

**\*compl 502 27 34-01 (250 R)**

**\*compl 502 22 77-01 (252 RX)**





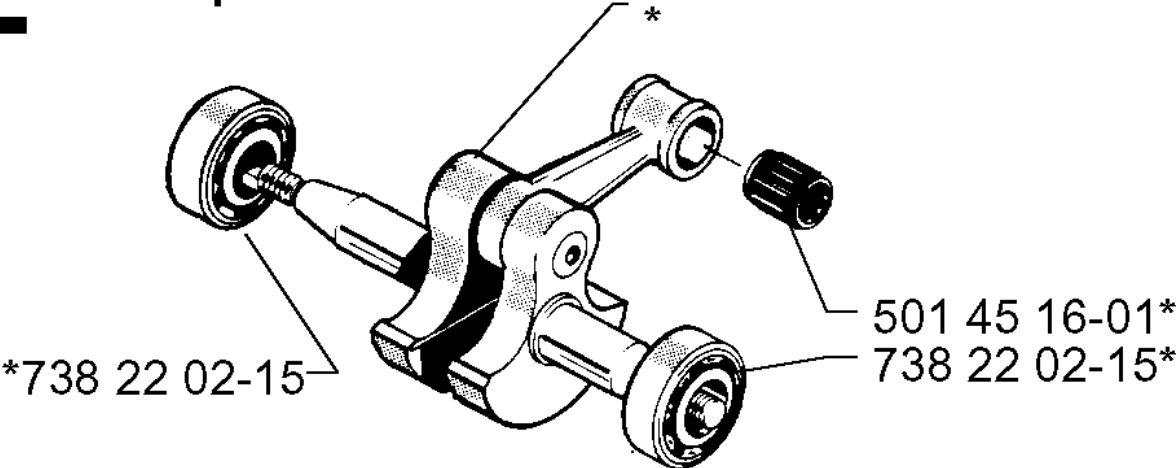
## CYLINDER PISTON

250 RX, 19973100001-Current

Part No	Description	Remark	QTY KIT
501 45 16-01	NEEDLE BEARING		1
501 67 67-03	CYLINDER BASE GASKET		1
501 86 21-02	GASKET		1
502 17 37-01	CYLINDER ASSY	250 RX	1
502 17 39-01	PISTON ASSY	250 RX	1
502 22 77-01	CYLINDER ASSY	252 RX	1
502 22 79-01	PISTON ASSY	252 RX	1
502 27 34-01	CYLINDER	250 R	1
502 27 35-01	PISTON ASSY	250 R	1
503 23 51-08	SPARK PLUG	CHAMPION RCJ 7 Y	1
503 23 51-11	SPARK PLUG	NGK BPMR 7 A	1
503 28 90-10	PISTON RING	250	1
503 28 90-11	PISTON RING	252	1
725 53 32-55	SCREW		1
737 44 10-00	SNAP RING		1

**F**

\*compl 502 06 40-01



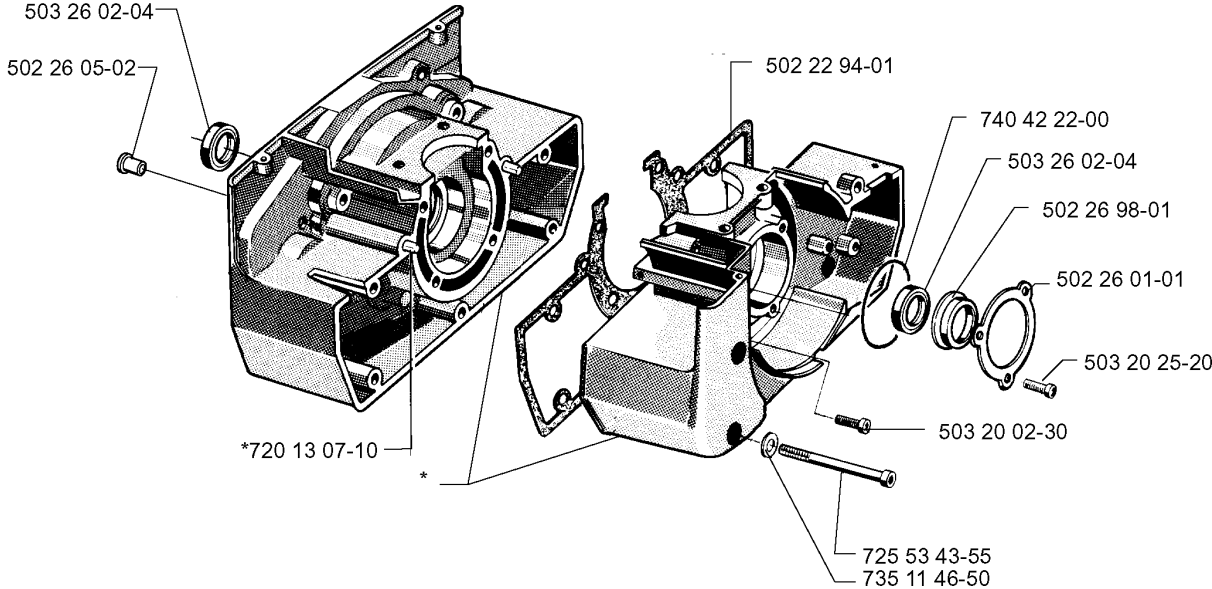
## CRANKSHAFT

250 RX, 19973100001-Current

Part No	Description	Remark	QTY KIT
501 45 16-01	NEEDLE BEARING		1
502 06 40-01	CRANKSHAFT ASSY		1
738 22 02-15	BALL BEARING		1
738 22 02-15	BALL BEARING		1

H

\*compl 502 17 35-05 (R) (RX)

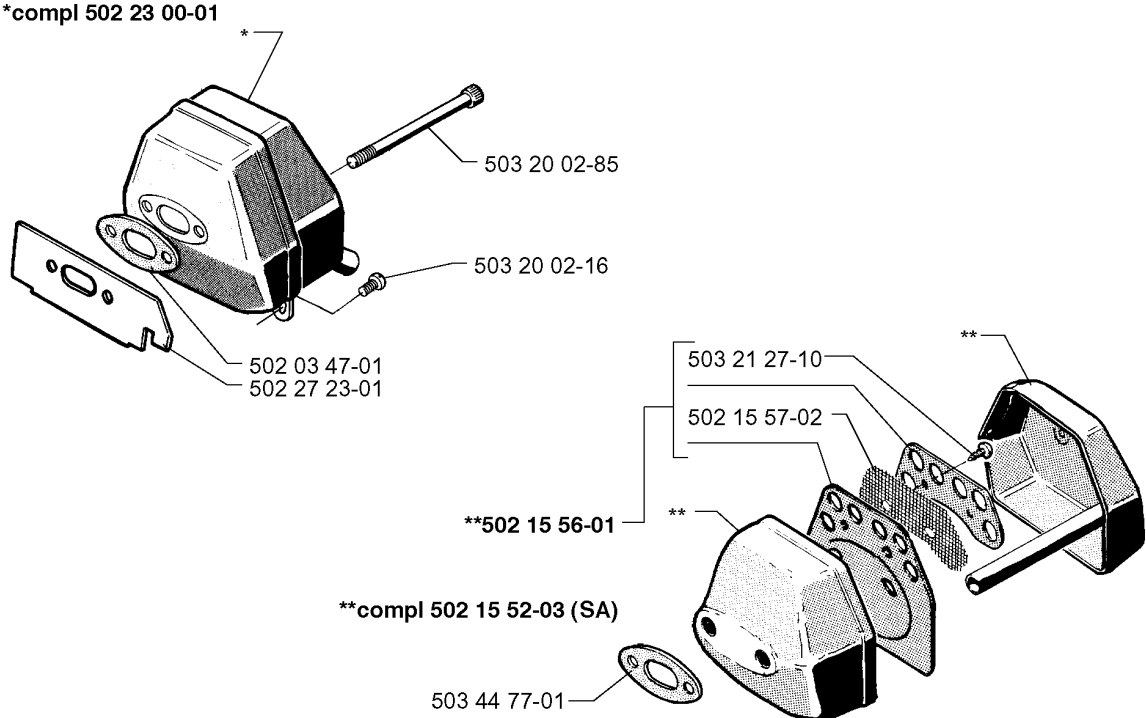


## CRANKCASE

250 RX, 1997310001-Current

Part No	Description	Remark	QTY KIT
502 17 35-05	CRANKCASE	R RX	1
502 22 94-01	CRANKCASE		1
502 26 01-01	BEARING CAGE		1
502 26 05-02	BUSHING		1
502 26 98-01	SEALING RING HOLDER		1
503 20 02-30	SCREW IHSCFM		1
503 20 25-20	SCREW IHSCM		1
503 26 02-04	SEALING RING		1
503 26 02-04	SEALING RING		1
720 13 07-10	PARALLEL PIN		1
725 53 43-55	SCREW IHSCM		1
735 11 46-50	SPRING WASHER		1
740 42 22-00	O-RING		1

**D**

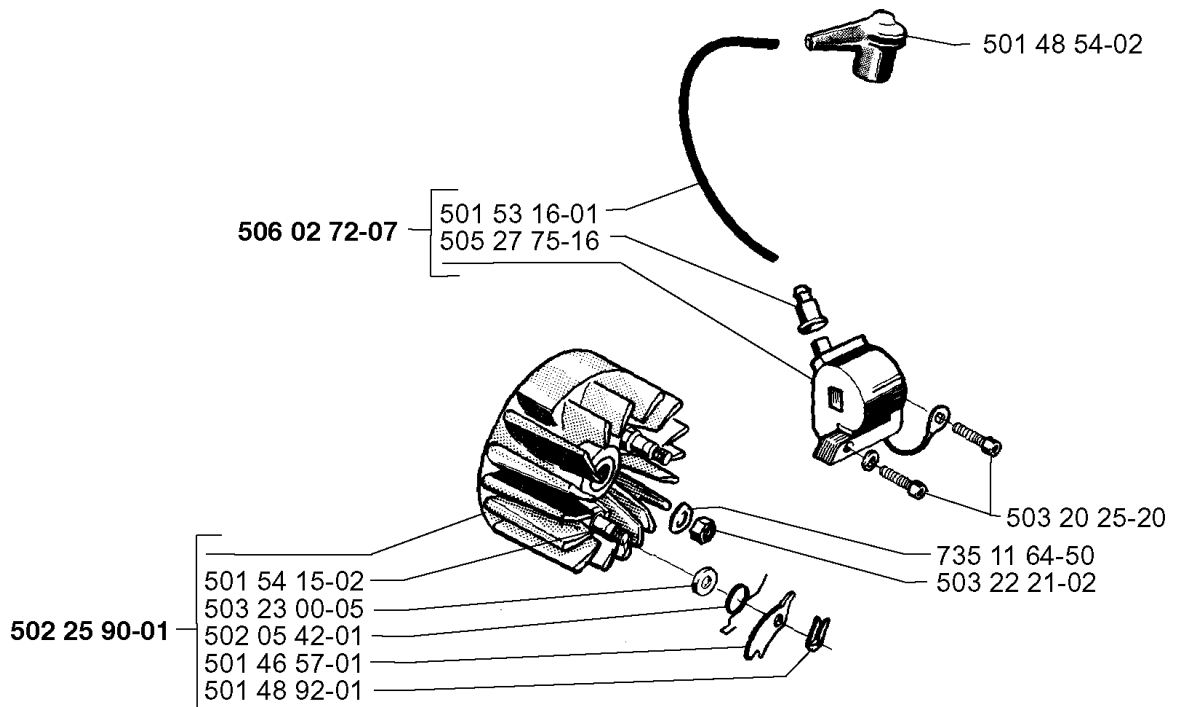


## MUFFLER

250 RX, 19973100001-Current

Part No	Description	Remark	QTY KIT
502 03 47-01	FLANGE WASHER		1
502 15 52-03	MUFFLER ASSY	SA	1
502 15 56-01	BAFFLE PLATE		1
502 15 57-02	SPARK ARRESTER		1
502 23 00-01	MUFFLER ASSY		1
502 27 23-01	SKÄRMPLÅT 250RX		1
503 20 02-16	SCREW IHSCFM		1
503 20 02-85	SCREW IHSCFM		1
503 21 27-10	SCREW CCRPANT		1
503 44 77-01	GASKET		1

J

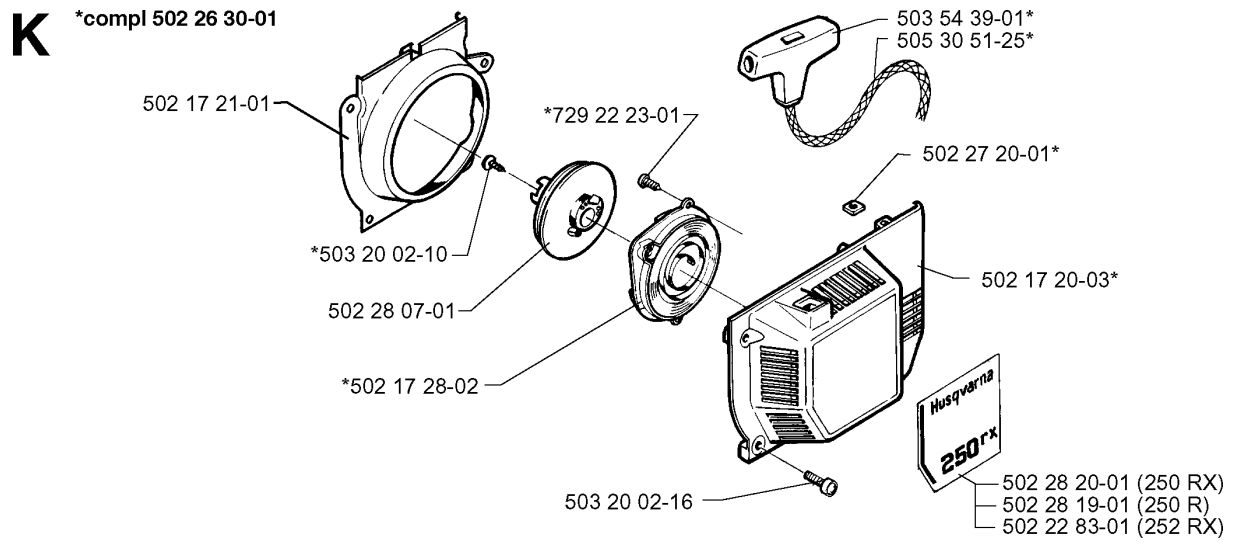




## IGNITION SYSTEM

250 RX, 19973100001-Current

Part No	Description	Remark	QTY KIT
501 46 57-01	PAWL		1
501 48 54-02	SPARK PLUG CAP		1
501 48 92-01	LOCKWASHER		1
501 53 16-01	CABLE		1
501 54 15-02	DRIVE PIN		1
502 05 42-01	SPRING		1
502 25 90-01	FLYWHEEL ASSY		1
503 20 25-20	SCREW IHSCM		1
503 22 21-02	LOCK NUT		1
503 23 00-05	WASHER		1
505 27 75-16	CABLE SLEEVE		1
506 02 72-07	ELECTRONIC MODULE		1
735 11 64-50	SPRING WASHER		1



## STARTER

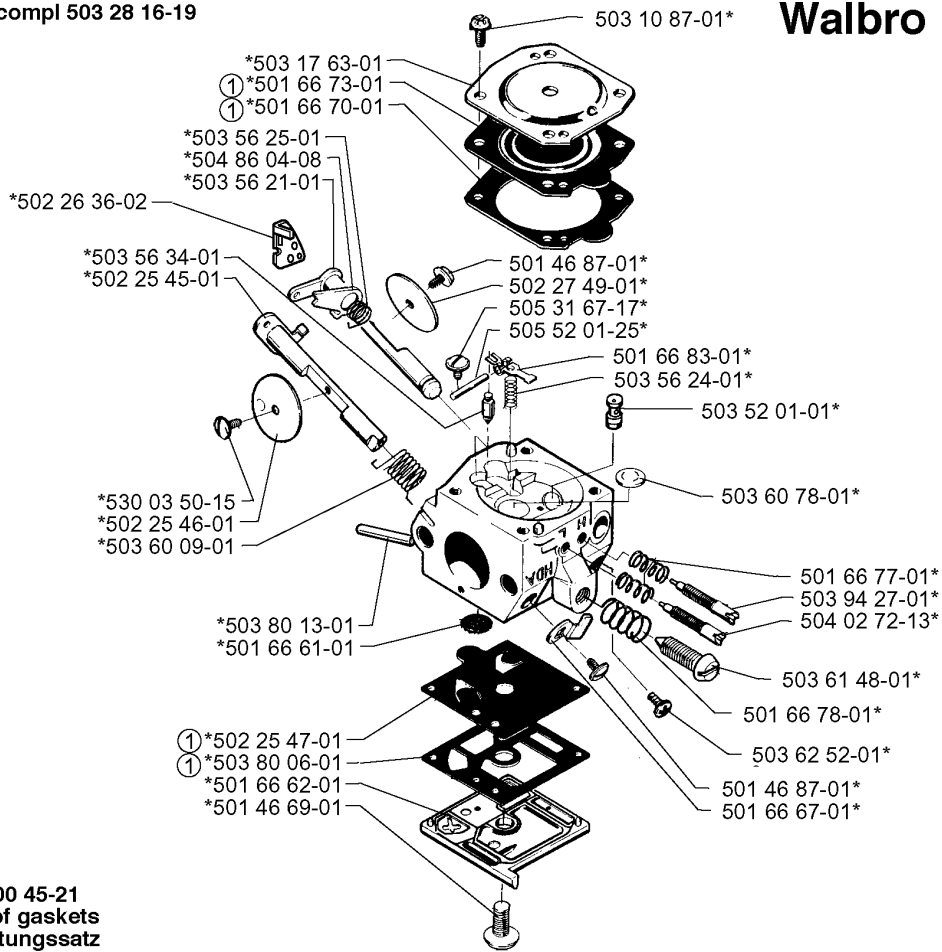
250 RX, 19973100001-Current

Part No	Description	Remark	QTY KIT
502 17 20-03	STARTER HOUSING		1
502 17 21-01	LEDSKENA		1
502 17 28-02	KASSETT M.FJÄDER		1
502 22 83-01	LABEL	252 RX	1
502 26 30-01	SPARE PARTS KIT		1
502 27 20-01	NUT		1
502 28 07-01	STARTER PULLEY		1
502 28 19-01	LABEL	250 R	1
502 28 20-01	LABEL	250 RX	1
503 20 02-10	SCREW IHSCFM		1
503 20 02-16	SCREW IHSCFM		1
503 54 39-01	STARTER HANDLE		1
505 30 51-25	STARTER CORD		1
729 22 23-01	SCREW		1

**E**

\*compl 503 28 16-19

**Walbro HDA-142**

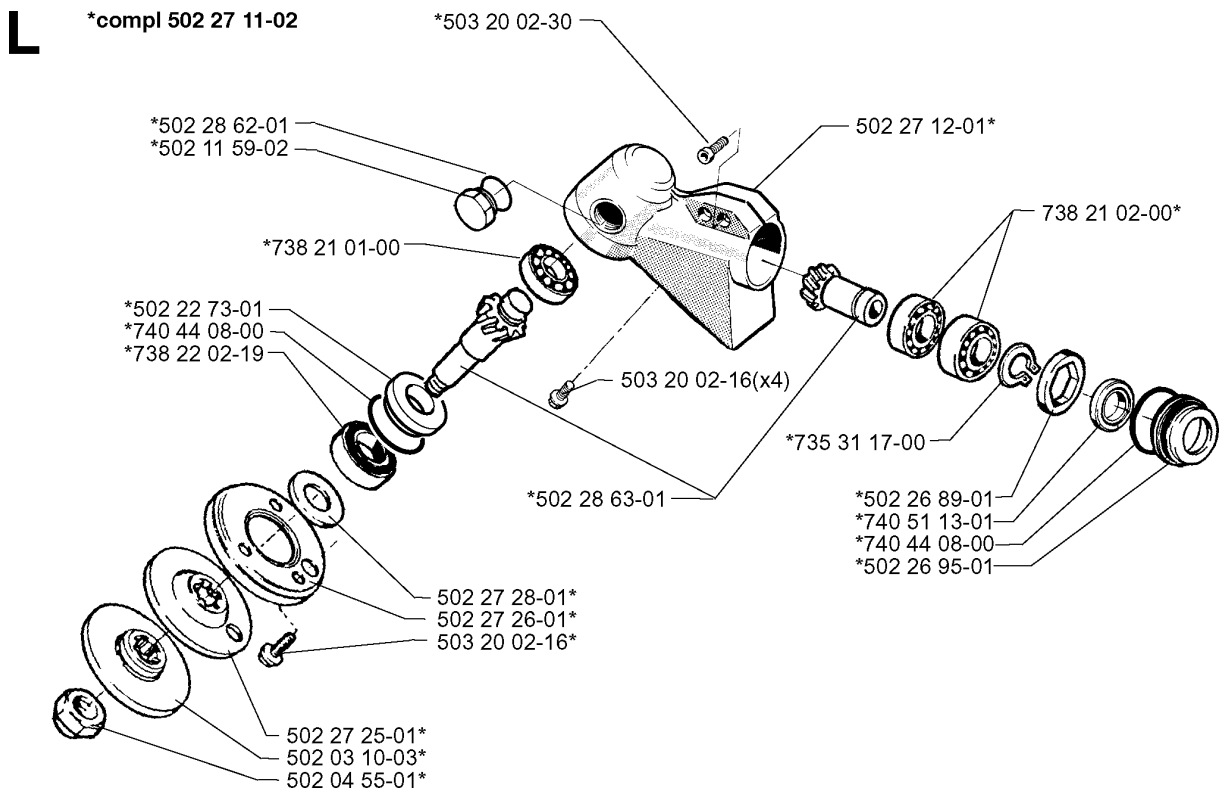


- ① 531 00 45-21  
Set of gaskets  
Dichtungssatz  
Jeu de joints  
Juego de juntas  
Packningssats

## CARBURETOR DETAILS

250 RX, 19973100001-Current

Part No	Description	Remark	QTY KIT
501 46 69-01	SCREW		1
501 46 87-01	SCREW		1
501 46 87-01	SCREW		1
501 66 61-01	SCREEN		1
501 66 62-01	COVER		1
501 66 67-01	STOP-THROTTLE		1
501 66 70-01	GASKET	531 00 45-21 SET OF GASKETS	1
501 66 73-01	GASKET KIT	531 00 45-21 SET OF GASKETS	1
501 66 77-01	SPRING		1
501 66 78-01	SPRING		1
501 66 83-01	LEVER		1
502 25 45-01	SHAFT ASS THROTTLE		1
502 25 46-01	VALVE		1
502 25 47-01	DIAPHRAGM PUMP	531 00 45-21 SET OF GASKETS	1
502 26 36-02	LEVER		1
502 27 49-01	CHOKE VALVE		1
503 10 87-01	SCREW		1
503 17 63-01	COVER		1
503 28 16-19	CARBURETTOR		1
503 52 01-01	NOZZLE ASSY		1
503 56 21-01	SHAFT ASSY		1
503 56 24-01	SPRING		1
503 56 25-01	SPRING		1
503 56 34-01	NEEDLE VALVE		1
503 60 09-01	SPRING		1
503 60 78-01	PLUG WELCH		1
503 61 48-01	SCREW		1
503 62 52-01	SCREW ASSY		1
503 80 06-01	GASKET	531 00 45-21 SET OF GASKETS	1
503 80 13-01	FITTING		1
503 94 27-01	NEEDLE		1
504 02 72-13	NEEDLE-IDLE SPEED		1
504 86 04-08	LEVER		1
505 31 67-17	SCREW		1
505 52 01-25	PIN		1
530 03 50-15	SCREW		1
531 00 45-21	GASKET KIT		1

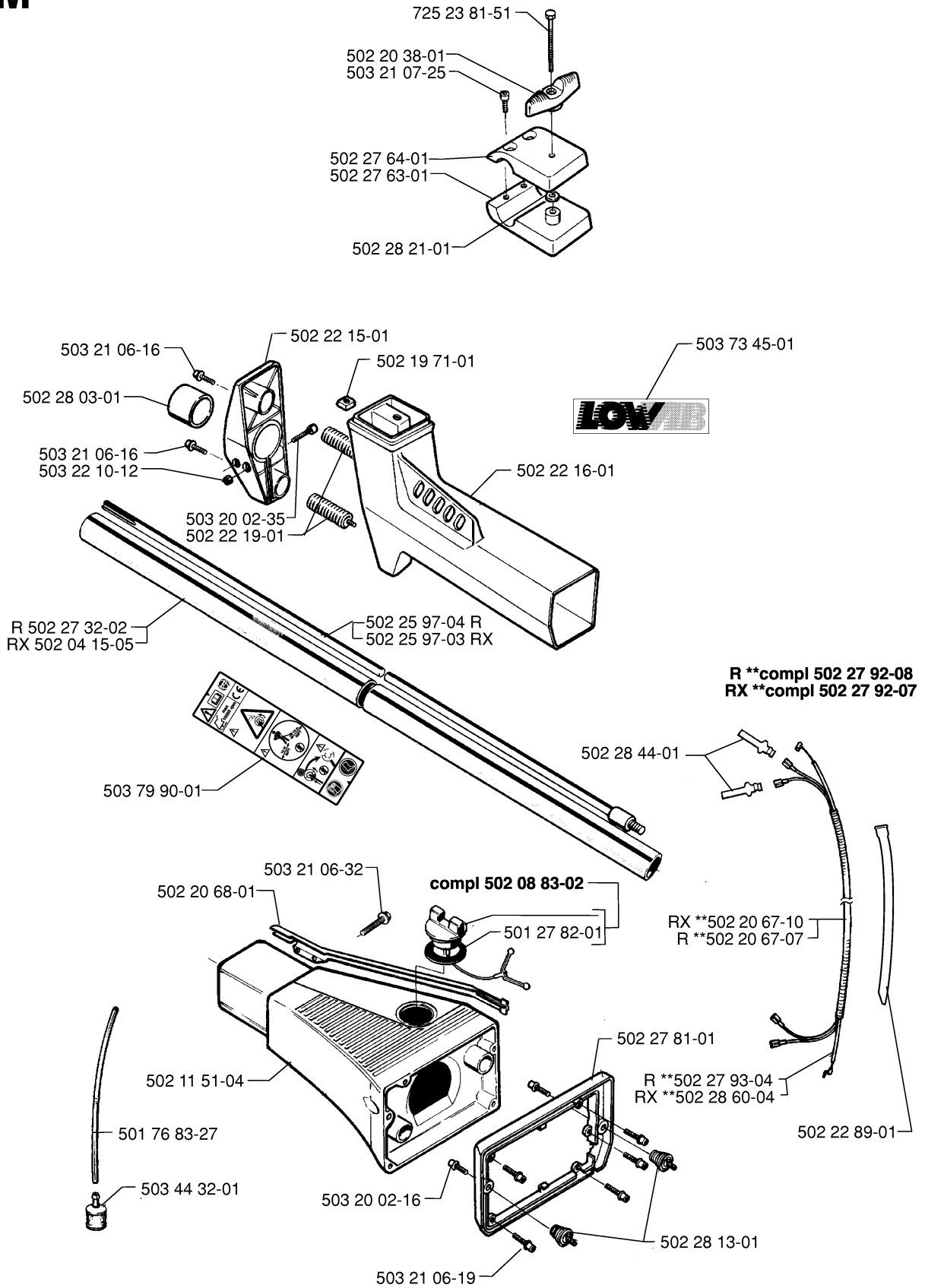


## BEVEL GEAR

250 RX, 19973100001-Current

Part No	Description	Remark	QTY KIT
502 03 10-03	SUPPORT FLANGE		1
502 04 55-01	NUT		1
502 11 59-02	PLUG		1
502 22 73-01	SEALING COLLAR		1
502 26 89-01	CIRCLIP		1
502 26 95-01	SEALING RING HOLDER		1
502 27 11-02	GEAR HOUSING ASSY		1
502 27 12-01	GEAR HOUSING		1
502 27 25-01	DRIVER		1
502 27 26-01	COVER		1
502 27 28-01	WASHER		1
502 28 62-01	WASHER		1
502 28 63-01	GEAR WHEEL		1
503 20 02-16	SCREW IHSCFM		4
503 20 02-16	SCREW IHSCFM		1
503 20 02-30	SCREW IHSCFM		1
735 31 17-00	CIRCLIP		1
738 21 01-00	BALL BEARING		1
738 21 02-00	BALL BEARING		1
738 22 02-19	BALL BEARING		1
740 44 08-00	O-RING		1
740 44 08-00	O-RING		1
740 51 13-01	SEALING RING		1

# M



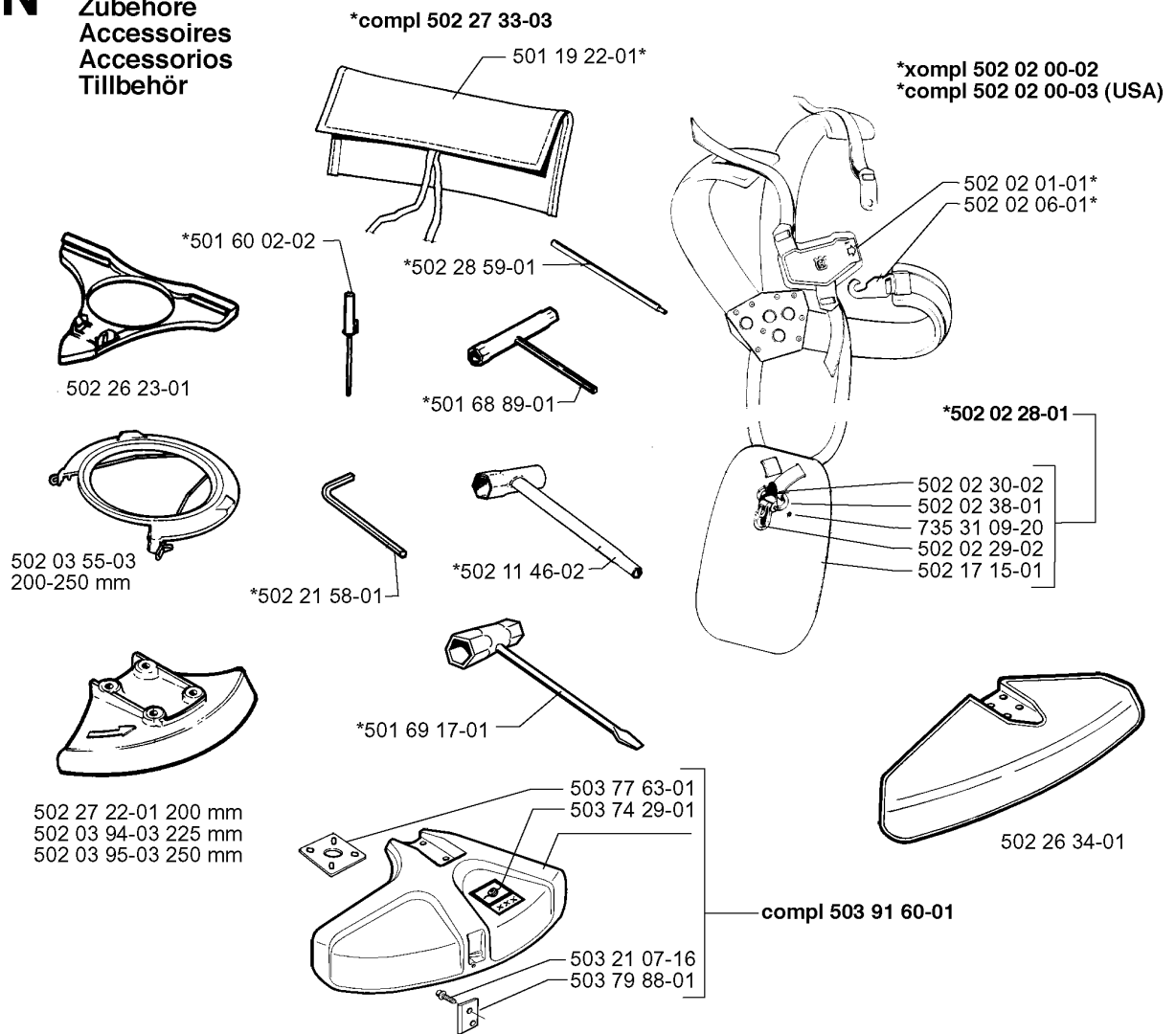


## SHAFT

250 RX, 19973100001-Current

Part No	Description	Remark	QTY KIT
501 27 82-01	GASKET		1
501 76 83-27	FUEL HOSE		1
502 04 15-05	TUBE DRIVESHAFT ASSY	RX	1
502 08 83-02	TANK CAP ASSY		1
502 11 51-04	FUEL TANK ASSY		1
502 19 71-01	SQUARE NUT		1
502 20 38-01	KNOB		1
502 20 67-07	PROTECTIVE HOSE	R	1
502 20 67-10	PROTECTIVE HOSE	RX	1
502 20 68-01	CABLE GUARD		1
502 22 15-01	RETAINER		1
502 22 16-01	SUSPENSION		1
502 22 19-01	ANTIVIBRATION ELEMENT		1
502 22 89-01	HOSE		1
502 25 97-03	DRIVE SHAFT	RX	1
502 25 97-04	DRIVE SHAFT	R	1
502 27 32-02	TUBE	R	1
502 27 63-01	HANDLEBAR BRACKET		1
502 27 64-01	HANDLEBAR BRACKET		1
502 27 81-01	TANK ANSLUTNING		1
502 27 92-07	WIRING ASSY	RX	1
502 27 92-08	WIRING ASSY	R	1
502 27 93-04	GAS WIRE ASSY	R	1
502 28 03-01	STAPLE		1
502 28 13-01	ANTIVIBRATION ELEMENT		1
502 28 21-01	WASHER		1
502 28 44-01	SPRING		1
502 28 60-04	GAS WIRE	RX	1
503 20 02-16	SCREW IHSCFM		1
503 20 02-35	SCREW IHSCFM		1
503 21 06-16	SCREW IHSCFT		1
503 21 06-16	SCREW IHSCFT		1
503 21 06-19	SCREW IHSCFT		1
503 21 06-32	SCREW IHSCFT		1
503 21 07-25	SCREW IHSCFT		1
503 22 10-12	HEXAGON NUT		1
503 44 32-01	FUEL FILTER		1
503 73 45-01	LABEL		1
503 79 90-01	LABEL		1
725 23 81-51	SCREW EHHM		1

**N** Accessories  
Zubehöre  
Accessoires  
Accessorios  
Tillbehör

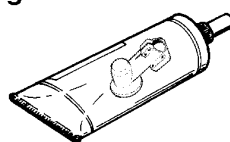


## ACCESSORIES

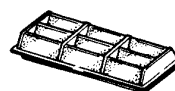
250 RX, 19973100001-Current

Part No	Description	Remark	QTY KIT
501 19 22-01	TOOL		1
501 60 02-02	SCREWDRIVER		1
501 68 89-01	COMBINATION WRENCH		1
501 69 17-01	COMBINATION WRENCH		1
502 02 00-02	HARNESS		1
502 02 00-03	HARNESS	USA	1
502 02 01-01	FRONT PIECE		1
502 02 06-01	CLAMP COMPL.		1
502 02 28-01	HOOK		1
502 02 29-02	HOOK		1
502 02 30-02	LOCK		1
502 02 38-01	SPRING		1
502 03 55-03	TRANSPORT GUARD	200-250 MM	1
502 03 94-03	SAW BLADE GUARD	225 MM	1
502 03 95-03	SAW BLADE GUARD	250 MM	1
502 11 46-02	SOCKET WRENCH		1
502 17 15-01	HIP PAD		1
502 21 58-01	WRENCH		1
502 26 23-01	TRIMMER GUARD ASSY		1
502 26 34-01	SPLASH GUARD		1
502 27 22-01	SAW BLADE GUARD	200 MM	1
502 27 33-03	TOOL KIT		1
502 28 59-01	STOP		1
503 21 07-16	SCREW IHSCT		1
503 74 29-01	DECAL		1
503 77 63-01	BASEPLATE		1
503 79 88-01	BLADE		1
503 91 60-01	TRIMMER GUARD		1
735 31 09-20	E-CLIP		1

**O** Delivery as spare part only  
Nur als Ersatzteil lieferbar  
Livvable seulement comme pièce de rechange  
Solo como repuesto  
Levereras endast som reservdel



502 51 27-01



502 17 25-01(Standard)  
502 17 25-02(Non Woven)

Olja Luftfilter  
Oil Airfilter  
Öl Luftfilter  
Aceite Filtro Air  
Huile Filtera aire

0,1 lit.



503 47 73-01

## ACCESSORIES

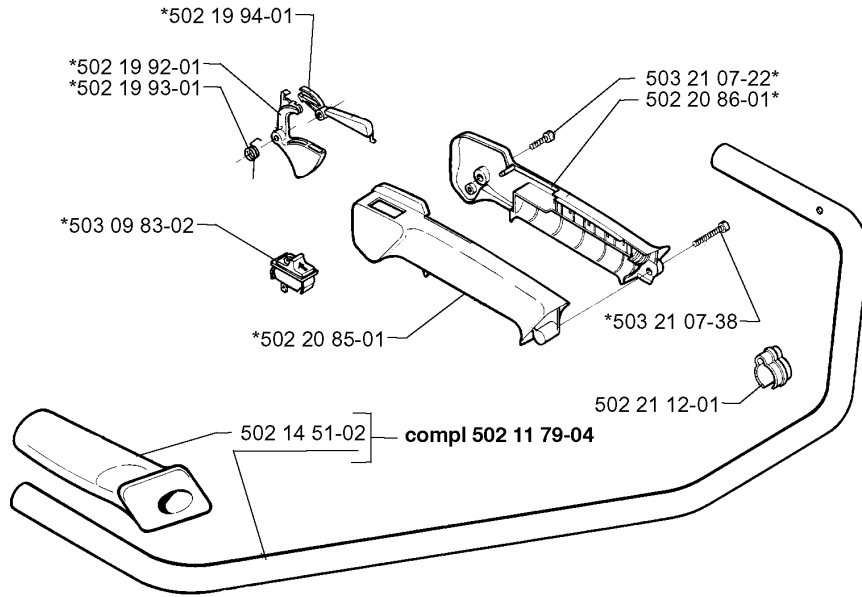
250 RX, 19973100001-Current

Part No	Description	Remark	QTY KIT
502 17 25-01	AIR FILTER ASSY	STANDARD	1
502 17 25-02	AIR FILTER ASSY	NON WOVEN	1
502 51 27-01	GREASE		1
503 47 73-01	KIT		1

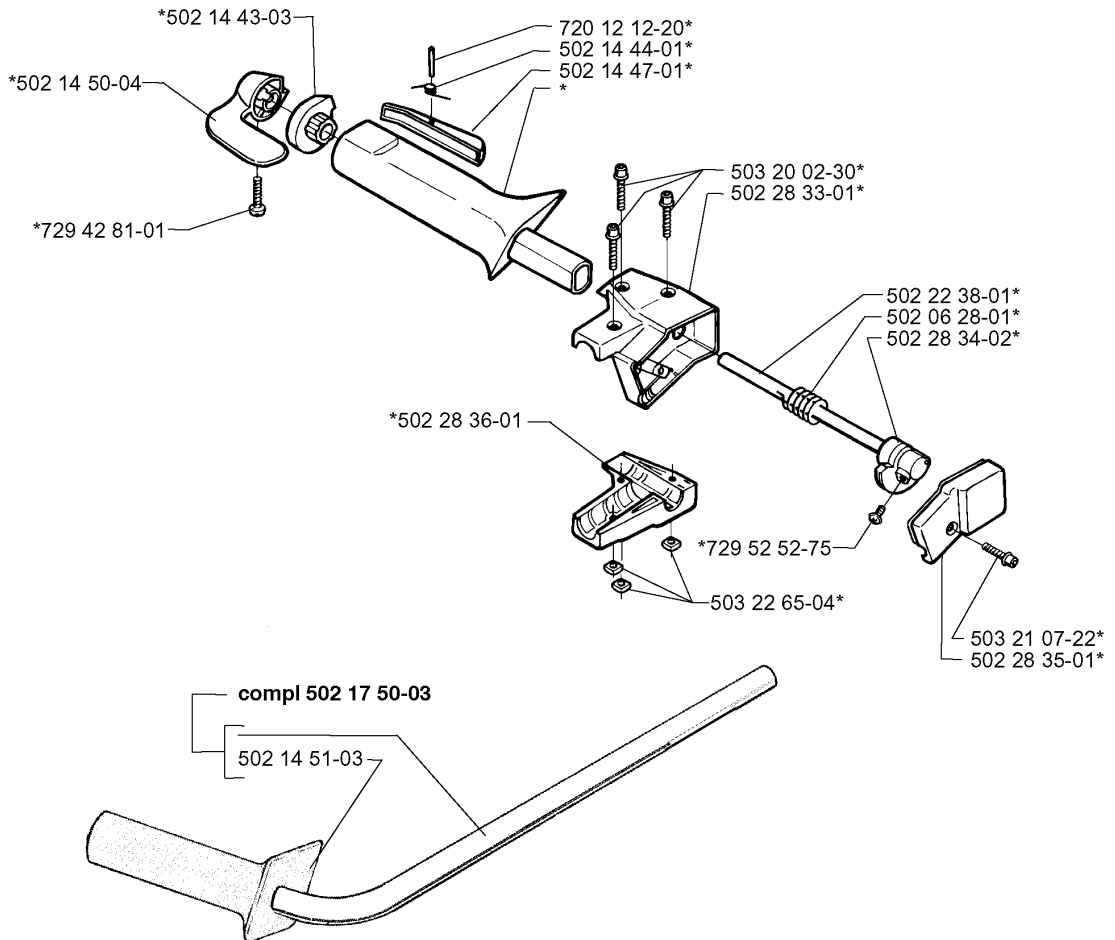
**P**

**250 R**

**\*compl 502 28 06-01**



**\*compl 502 28 37-01**



## HANDLE &amp; CONTROLS

250 RX, 19973100001-Current

Part No	Description	Remark	QTY KIT
502 06 28-01	RECOIL SPRING		1
502 11 79-04	HANDLEBAR		1
502 14 43-03	BUSHING		1
502 14 44-01	SPRING		1
502 14 47-01	THROTTLE LOCKOUT		1
502 14 50-04	THROTTLE TRIGGER		1
502 14 51-02	HANDLE		1
502 14 51-03	HANDLE		1
502 17 50-03	HANDLEBAR LEFT		1
502 19 92-01	THROTTLE TRIGGER		1
502 19 93-01	RECOIL SPRING		1
502 19 94-01	THROTTLE LOCKOUT		1
502 20 85-01	HANDLE HALF		1
502 20 86-01	HANDLE HALF		1
502 21 12-01	STAPLE		1
502 22 38-01	PIPE		1
502 28 06-01	CONTROL		1
502 28 33-01	HANDLE		1
502 28 34-02	STARTER PULLEY		1
502 28 35-01	HUB CAP		1
502 28 36-01	CLAMP		1
502 28 37-01	THROTTLE HANDLE ASSY		1
503 09 83-02	STOP SWITCH		1
503 20 02-30	SCREW IHSCFM		1
503 21 07-22	SCREW IHSCF		1
503 21 07-38	SCREW IHSCF		1
503 22 65-04	SQUARE NUT		1
720 12 12-20	PARALLEL PIN		1
729 42 81-01	SCREW SLCSRT		1
729 52 52-75	SCREW CRPANT		1