



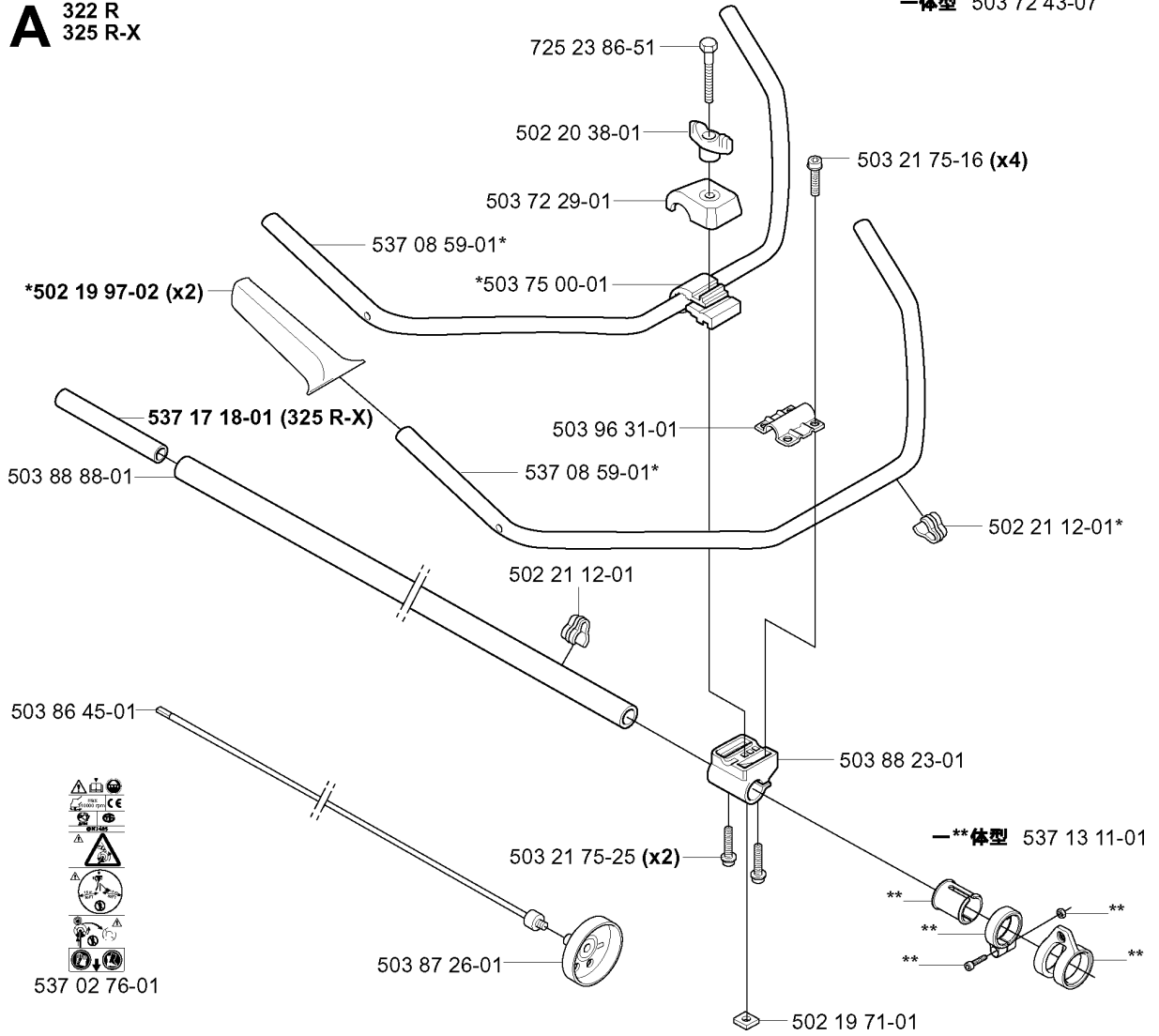
SPARE PARTS LIST

BRUSHCUTTERS/CLEARING SAWS

322 R, 20010500001-Current

A 322 R
325 R-X

一体型 503 72 43-07

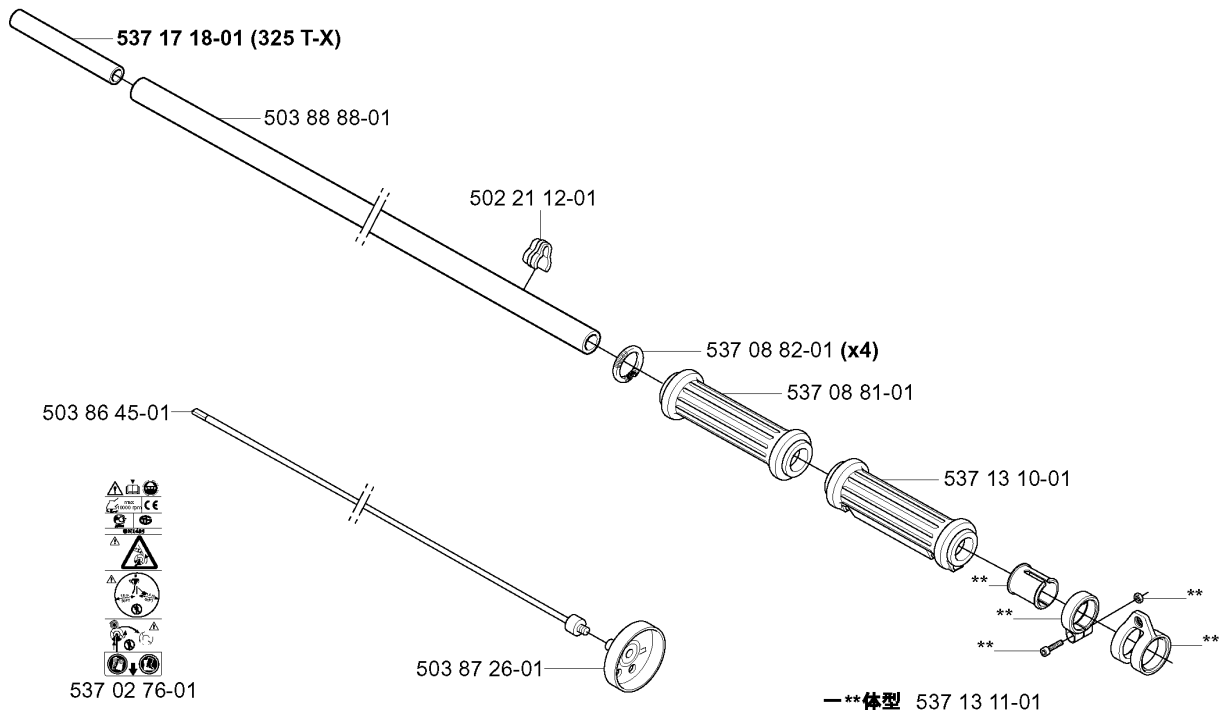


SHAFT & HANDLE

322 R, 20010500001-Current

Part No	Description	Remark	QTY KIT
502 19 71-01	SQUARE NUT		1
502 19 97-02	HANDLE		2
502 20 38-01	KNOB		1
502 21 12-01	STAPLE		1
502 21 12-01	STAPLE		1
503 21 75-16	SCREW IHSCFT		4
503 21 75-25	SCREW IHSCFT		2
503 72 29-01	COVER		1
503 72 43-07	HANDLEBAR		1
503 75 00-01	HANDLEBAR BRACKET		1
503 86 45-01	DRIVE SHAFT		1
503 87 26-01	CLUTCH DRUM ASSY		1
503 88 23-01	BRACKET		1
503 88 88-01	TUBE		1
503 96 31-01	BRACKET		1
537 02 76-01	LABEL		1
537 08 59-01	HANDLEBAR		1
537 08 59-01	HANDLEBAR		1
537 13 11-01	HOOK		1
537 17 18-01	INNERHYLSA	325 R-X	1
725 23 86-51	SCREW EHHM		1

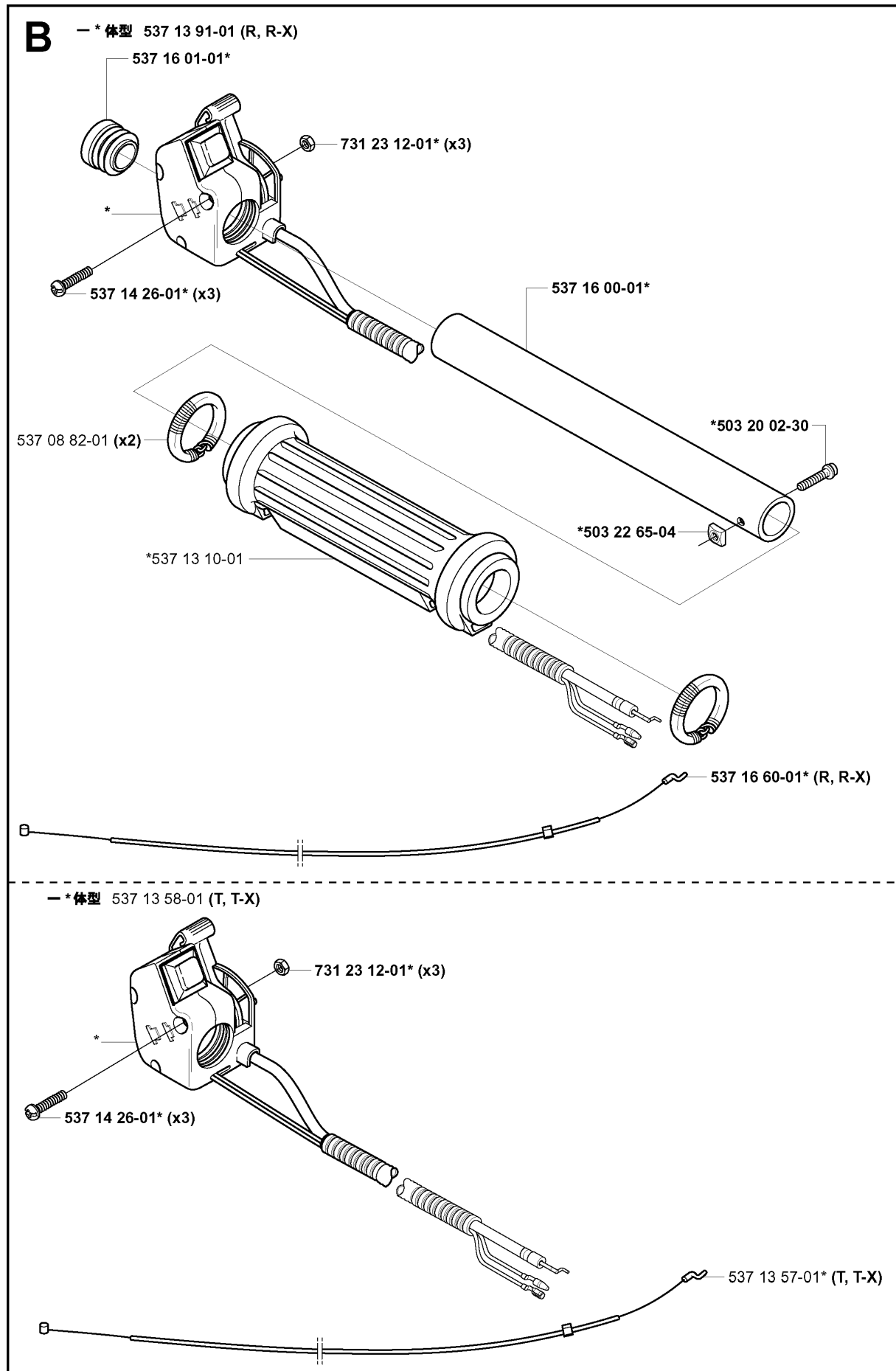
322 T
325 T-X



SHAFT

322 R, 20010500001-Current

Part No	Description	Remark	QTY KIT
502 21 12-01	STAPLE		1
503 86 45-01	DRIVE SHAFT		1
503 87 26-01	CLUTCH DRUM ASSY		1
503 88 88-01	TUBE		1
537 02 76-01	LABEL		1
537 08 81-01	HANDLE		1
537 08 82-01	SPRING		4
537 13 10-01	HANDLE		1
537 13 11-01	HOOK		1
537 17 18-01	INNERHYLSA	325 T-X	1



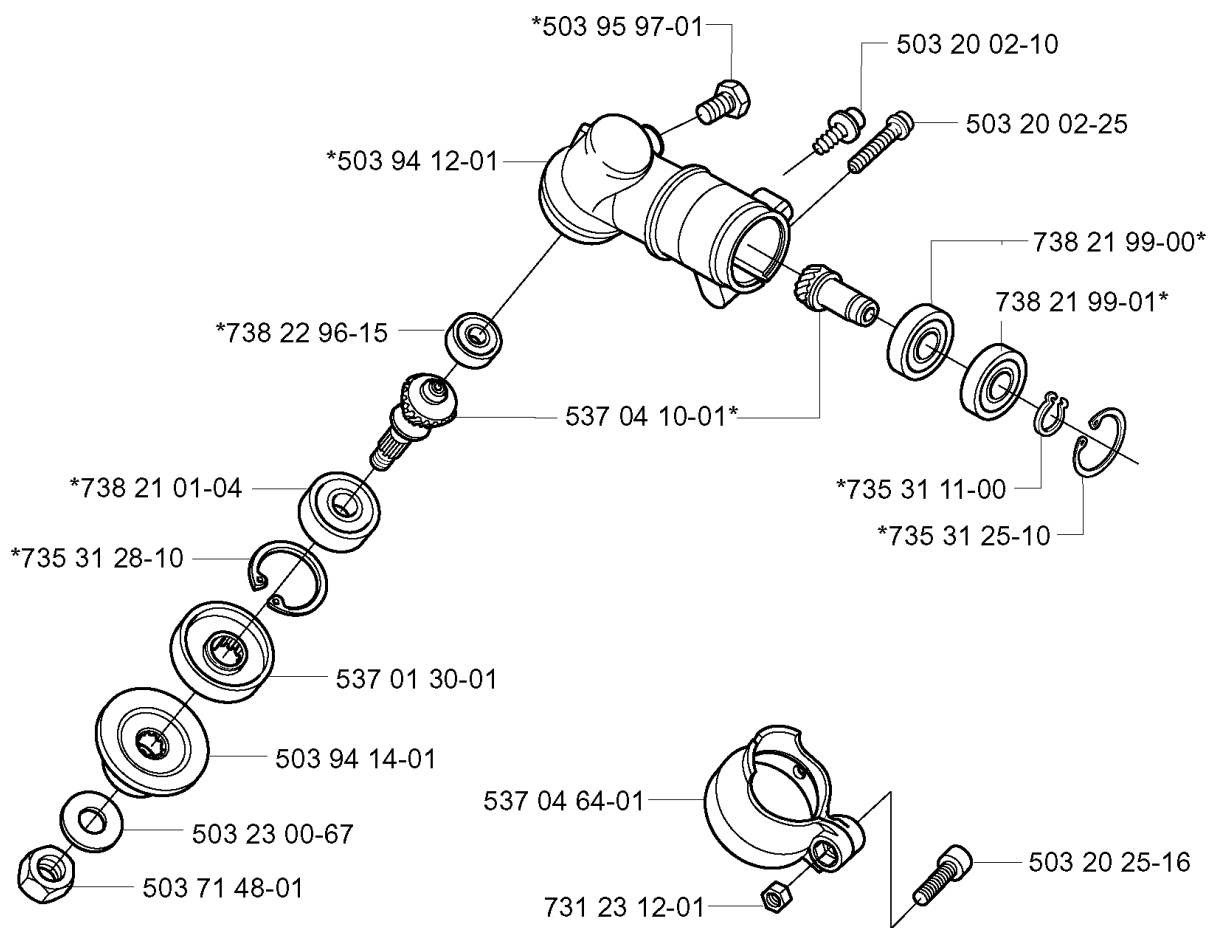
THROTTLE CONTROLS

322 R, 20010500001-Current

Part No	Description	Remark	QTY KIT
503 20 02-30	SCREW IHSCFM		1
503 22 65-04	SQUARE NUT		1
537 08 82-01	SPRING		2
537 13 10-01	HANDLE		1
537 13 57-01	THROTTLE WIRE		1
537 13 58-01	WIRING		1
537 13 91-01	WIRING	R, R-X	1
537 14 26-01	SCREW		3
537 16 00-01	PIPE		1
537 16 01-01	PLUG		1
537 16 60-01	THROTTLE CABLE	R, R-X	1
731 23 12-01	HEXAGON NUT		3

C

—* 体型 503 94 11-01

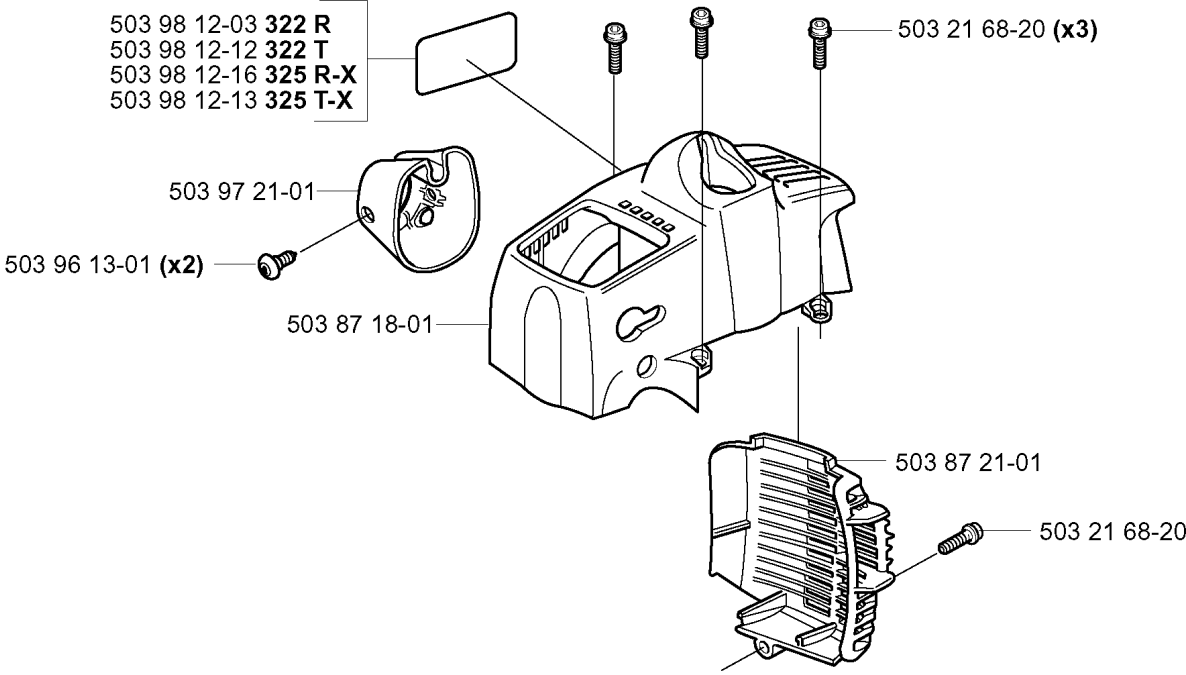


BEVEL GEAR

322 R, 20010500001-Current

Part No	Description	Remark	QTY KIT
503 20 02-10	SCREW IHSCFM		1
503 20 02-25	SCREW IHSCFM		1
503 20 25-16	SCREW IHSCM		1
503 23 00-67	WASHER		1
503 71 48-01	NUT BLADE		1
503 94 11-01	GEAR ASSY		1
503 94 12-01	GEAR HOUSING		1
503 94 14-01	SUPPORT FLANGE		1
503 95 97-01	SCREW		1
537 01 30-01	DRIVER		1
537 04 10-01	GEAR WHEEL KIT		1
537 04 64-01	COVER		1
731 23 12-01	HEXAGON NUT		1
735 31 11-00	CIRCLIP		1
735 31 25-10	CIRCLIP		1
735 31 28-10	CIRCLIP		1
738 21 01-04	BALL BEARING		1
738 21 99-00	BALL BEARING		1
738 21 99-01	BALL BEARING		1
738 22 96-15	BALL BEARING		1

D

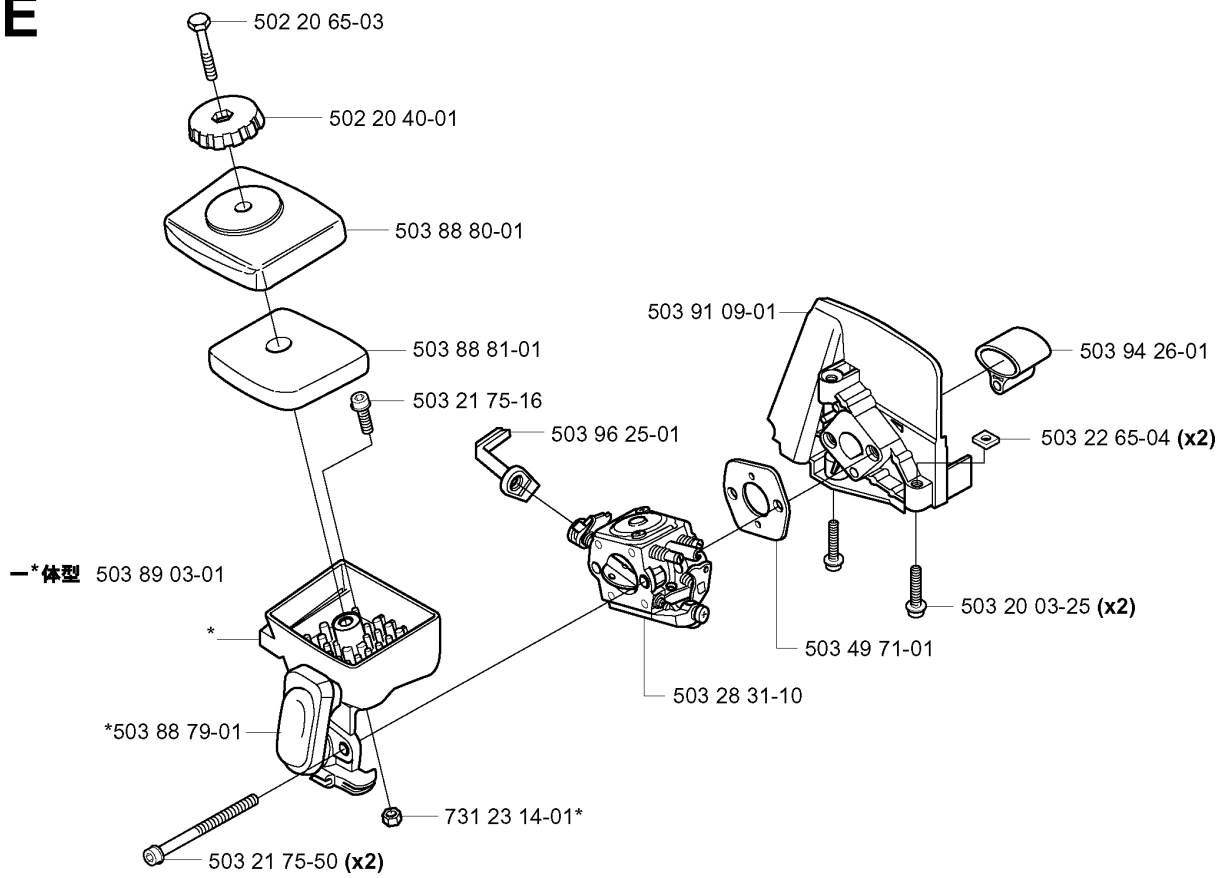


COVER

322 R, 20010500001-Current

Part No	Description	Remark	QTY KIT
503 21 68-20	SCREW IHSCFT		3
503 21 68-20	SCREW IHSCFT		1
503 87 18-01	CYLINDER COVER		1
503 87 21-01	HEAT PROTECTOR		1
503 96 13-01	SCREW		2
503 97 21-01	COVER		1
503 98 12-03	LABEL	322 R	1
503 98 12-12	LABEL	322 T	1
503 98 12-13	LABEL	325 T-X	1
503 98 12-16	LABEL	325 R-X	1

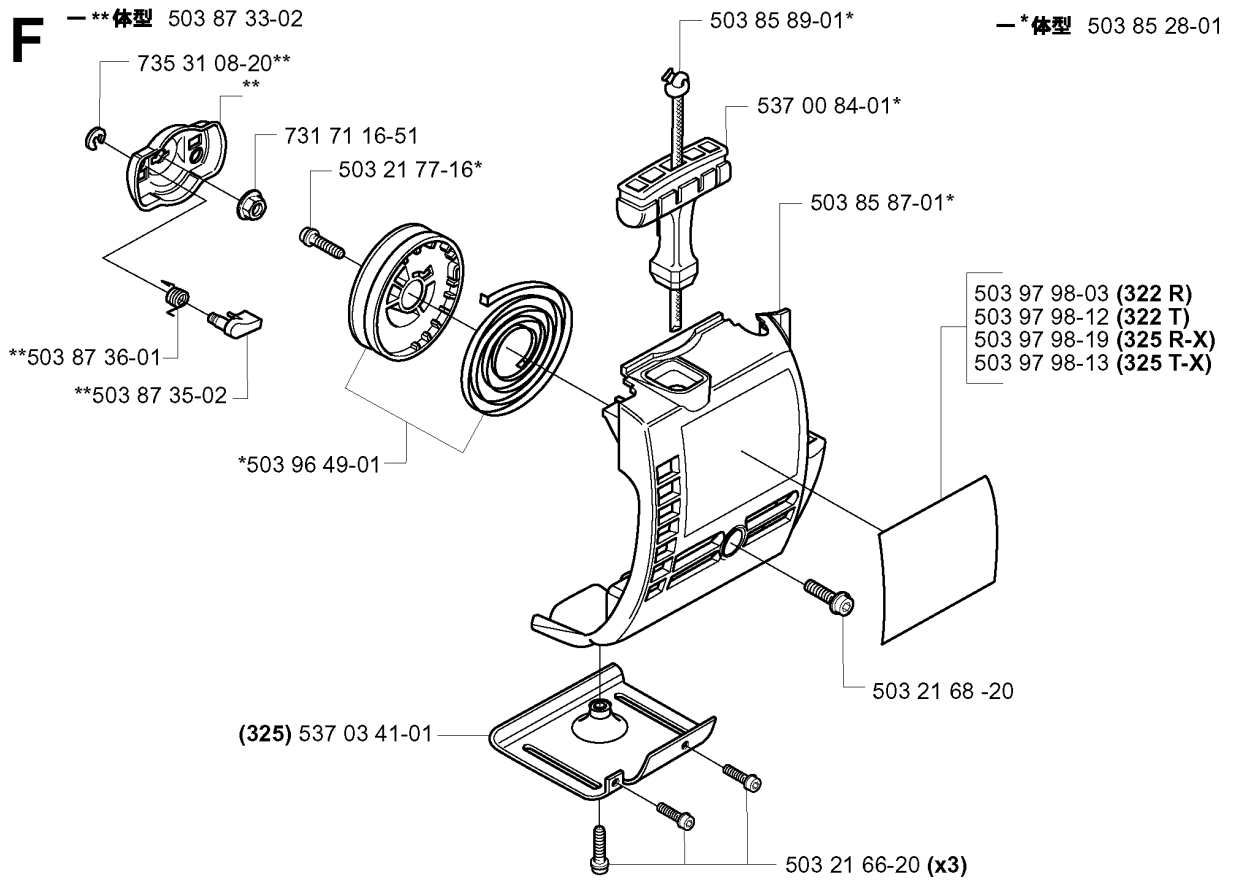
E



CARBURETOR & AIR FILTER

322 R, 20010500001-Current

Part No	Description	Remark	QTY KIT
502 20 40-01	KNOB		1
502 20 65-03	SCREW EHHM		1
503 20 03-25	SCREW IHSCFM		2
503 21 75-16	SCREW IHSCFT		1
503 21 75-50	SCREW IHSCFT		2
503 22 65-04	SQUARE NUT		2
503 28 31-10	CARBURETTOR		1
503 49 71-01	GASKET		1
503 88 79-01	HUB CAP		1
503 88 80-01	FILTER COVER		1
503 88 81-01	AIR FILTER		1
503 89 03-01	FILTER HOLDER		1
503 91 09-01	INSULATION WALL		1
503 94 26-01	INLET PIPE		1
503 96 25-01	CHOKE CONTROL		1
731 23 14-01	HEXAGON NUT		1

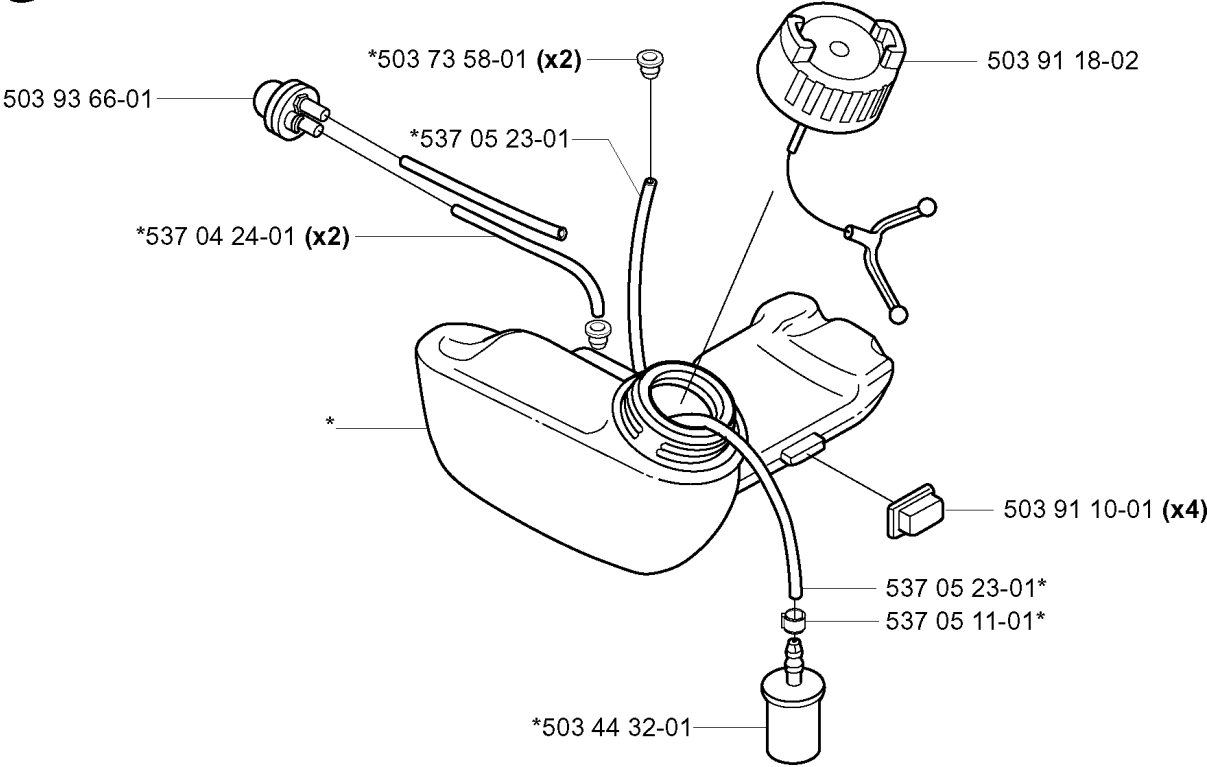


STARTER

322 R, 20010500001-Current

Part No	Description	Remark	QTY KIT
503 21 66-20	SCREW IHSC T		3
503 21 68-20	SCREW IHSC FT		1
503 21 77-16	SCREW IHSC T		1
503 85 28-01	STARTER ASSY		1
503 85 87-01	STARTER HOUSING		1
503 85 89-01	STARTER ROPE		1
503 87 33-02	BRIDGE		1
503 87 35-02	STARTER PAWL		1
503 87 36-01	SPRING		1
503 96 49-01	STARTER PULLEY		1
503 97 98-03	DECAL	322 R	1
503 97 98-12	DECAL	322 T	1
503 97 98-13	DECAL	325 T-X	1
503 97 98-19	DECAL	325 R-X	1
537 00 84-01	STARTER HANDLE		1
537 03 41-01	PROTECTIVE PLATE	325	1
731 71 16-51	HEXAGON NUT FLANGE		1
735 31 08-20	E-CLIP		1

G —*体型 537 06 86-01

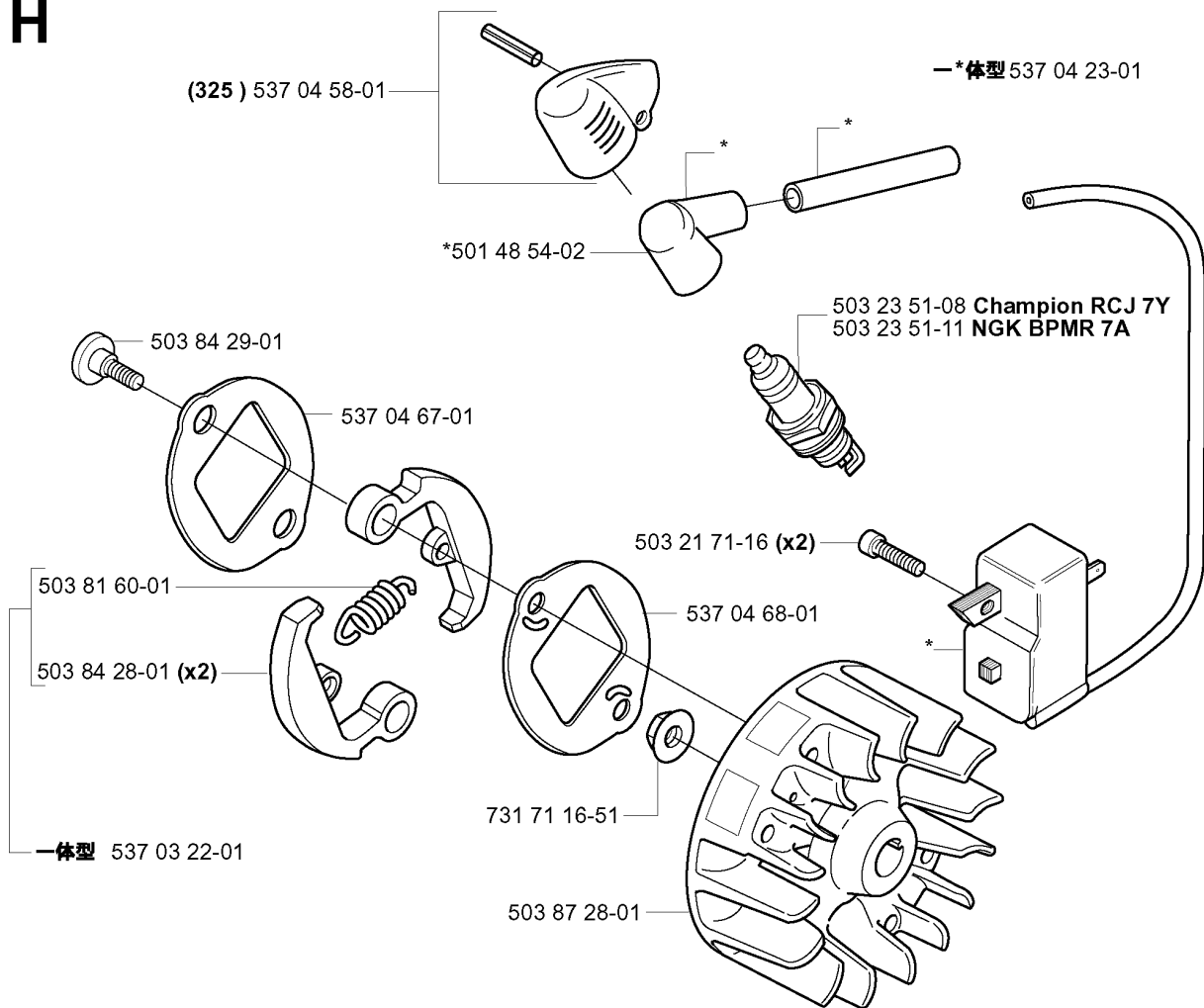


FUEL TANK

322 R, 20010500001-Current

Part No	Description	Remark	QTY KIT
503 44 32-01	FUEL FILTER		1
503 73 58-01	BUSHING		2
503 91 10-01	SUSPENSION		4
503 91 18-02	TANK CAP		1
503 93 66-01	PURGE		1
537 04 24-01	FUEL HOSE		2
537 05 11-01	HOSE CLAMP		1
537 05 23-01	FUEL HOSE		1
537 05 23-01	FUEL HOSE		1
537 06 86-01	FUEL TANK		1

H

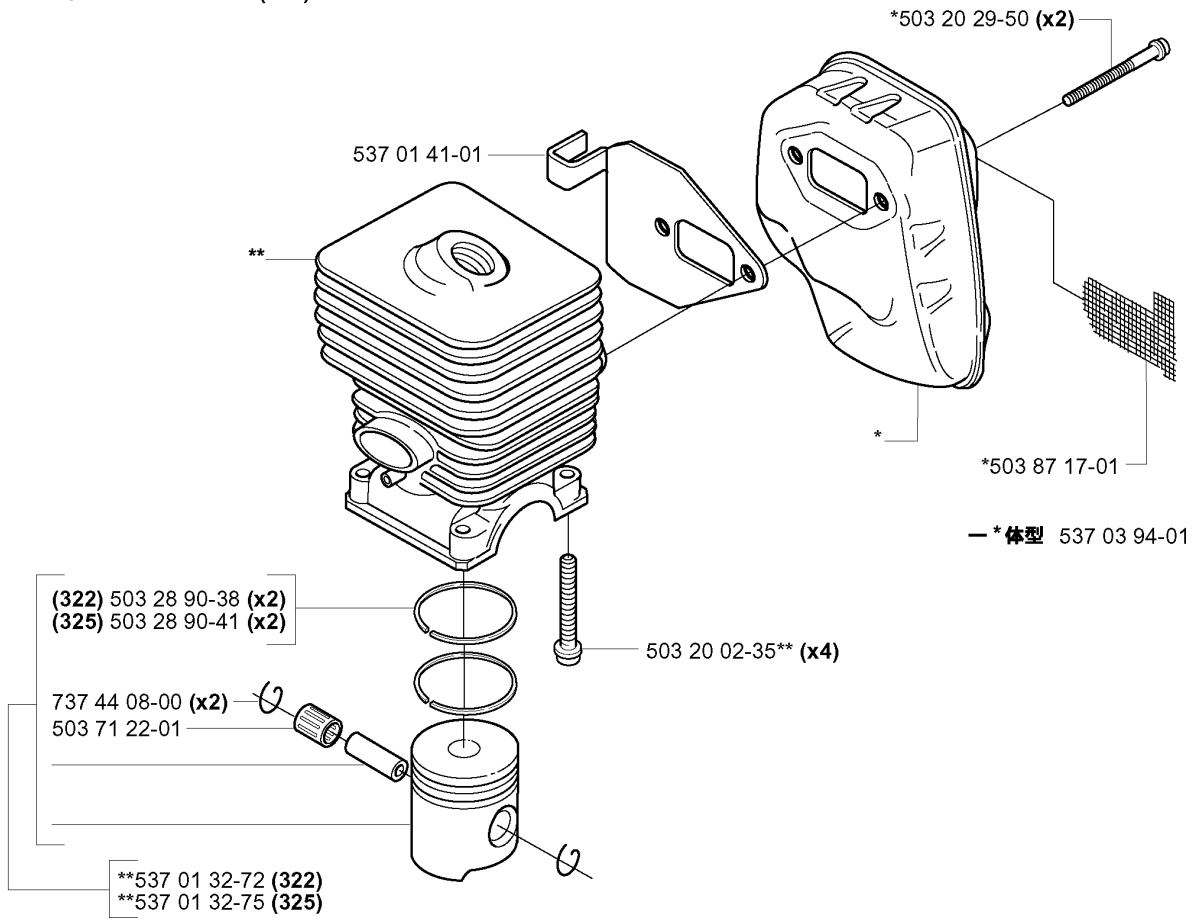


IGNITION SYSTEM & CLUTCH

322 R, 20010500001-Current

Part No	Description	Remark	QTY KIT
501 48 54-02	SPARK PLUG CAP		1
503 21 71-16	SCREW IHSCT		2
503 23 51-08	SPARK PLUG	CHAMPION RCJ 7Y	1
503 23 51-11	SPARK PLUG	NGK BPMR 7A	1
503 81 60-01	CLUTCH SPRING		1
503 84 28-01	CLUTCH SHOE		2
503 84 29-01	SCREW		1
503 87 28-01	FLYWHEEL		1
537 03 22-01	CLUTCH ASSY		1
537 04 23-01	IGNITION MODULE		1
537 04 58-01	COVER	325	1
537 04 67-01	WASHER		1
537 04 68-01	WASHER		1
731 71 16-51	HEXAGON NUT FLANGE		1

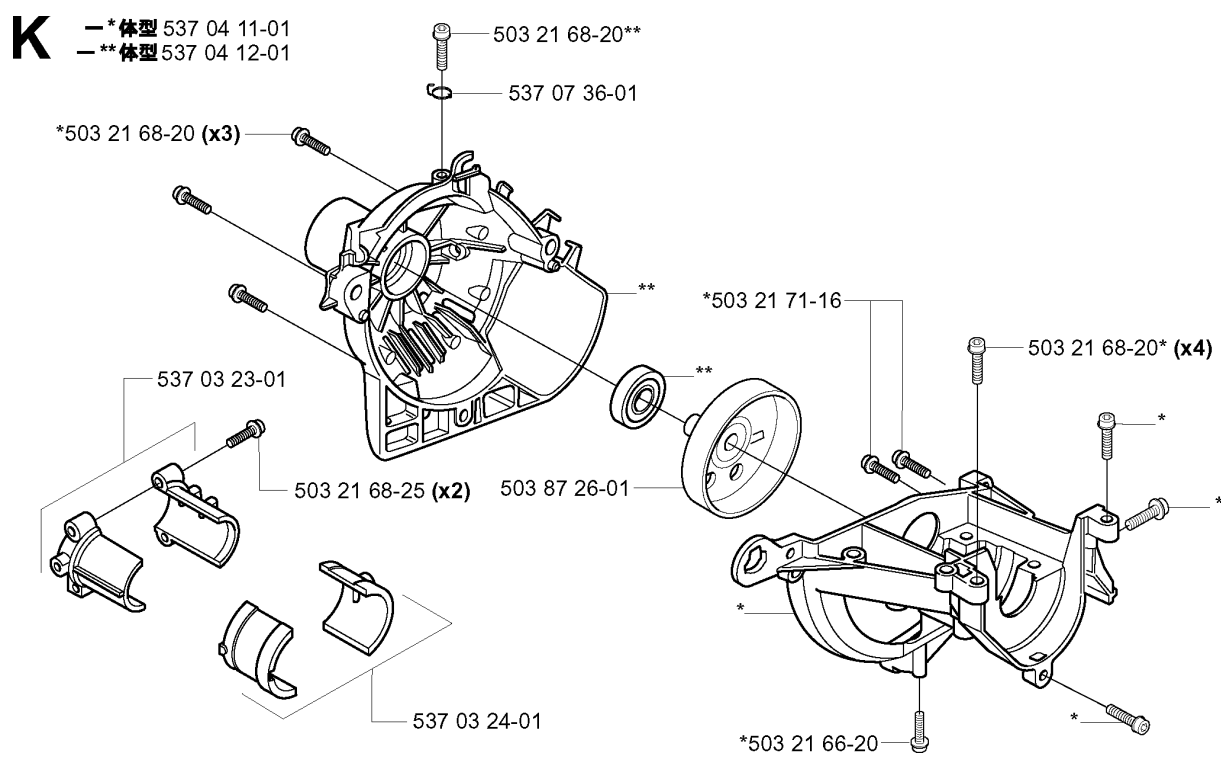
J —**体型 537 03 20-02 (322)
 —**体型 537 03 20-05 (325)



CYLINDER PISTON

322 R, 20010500001-Current

Part No	Description	Remark	QTY KIT
503 20 02-35	SCREW IHSCFM		4
503 20 29-50	SCREW IHSCFM		2
503 28 90-38	PISTON RING	322	2
503 28 90-41	PISTON RING	325	2
503 71 22-01	BEARING		1
503 87 17-01	SPARK ARRESTER SCREEN		1
537 01 32-72	PISTON	322	1
537 01 32-75	PISTON	325	1
537 01 41-01	GASKET		1
537 03 20-02	PISTON	322	1
537 03 20-05	PISTON	325	1
537 03 94-01	MUFFLER ASSY		1
737 44 08-00	CIRCLIP		2

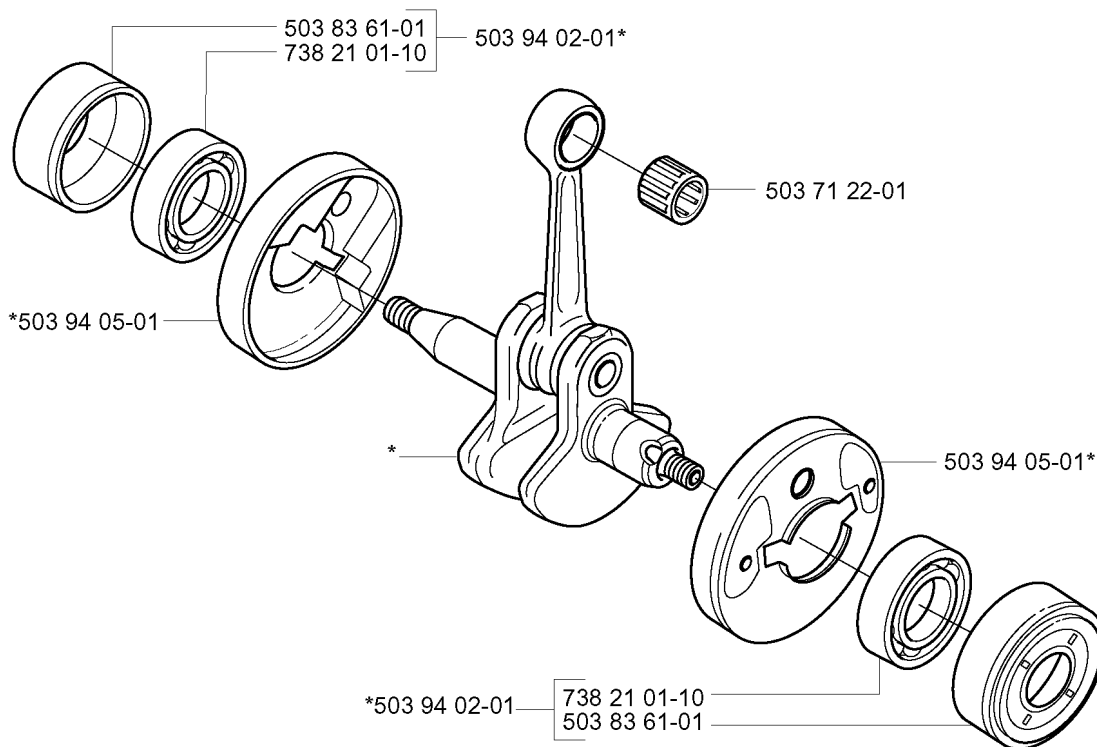


CRANKCASE

322 R, 20010500001-Current

Part No	Description	Remark	QTY KIT
503 21 66-20	SCREW IH SCT		1
503 21 68-20	SCREW IH SCFT		4
503 21 68-20	SCREW IH SCFT		3
503 21 68-20	SCREW IH SCFT		1
503 21 68-25	SCREW IH SCFT		2
503 21 71-16	SCREW IH SCT		1
503 87 26-01	CLUTCH DRUM ASSY		1
537 03 23-01	CLAMPING SLEEVE ASSY		1
537 03 24-01	INSULATOR		1
537 04 11-01	CRANKCASE		1
537 04 12-01	CLUTCH COVER		1
537 07 36-01	SPRING		1

L **—*体型** 503 85 24-73

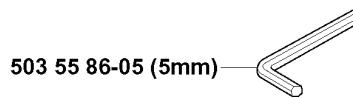
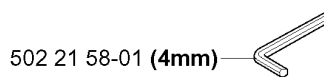
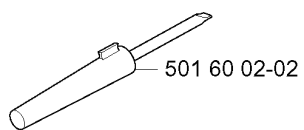
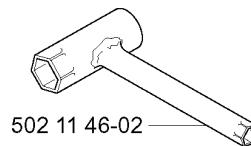
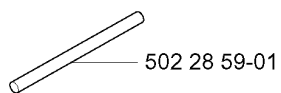
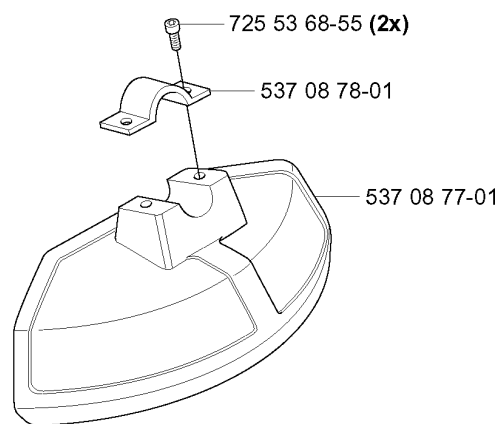


CRANKSHAFT

322 R, 20010500001-Current

Part No	Description	Remark	QTY KIT
503 71 22-01	BEARING		1
503 83 61-01	BEARING CAGE		1
503 83 61-01	BEARING CAGE		1
503 85 24-73	CRANKSHAFT ASSY		1
503 94 02-01	BEARING CAGE		1
503 94 02-01	BEARING CAGE		1
503 94 05-01	CUP		1
503 94 05-01	CUP		1
738 21 01-10	BALL BEARING		1
738 21 01-10	BALL BEARING		1

M 付属品

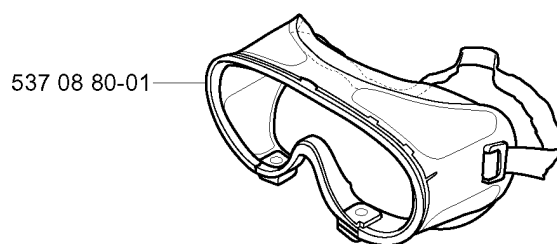
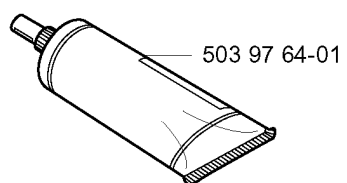


ACCESSORIES

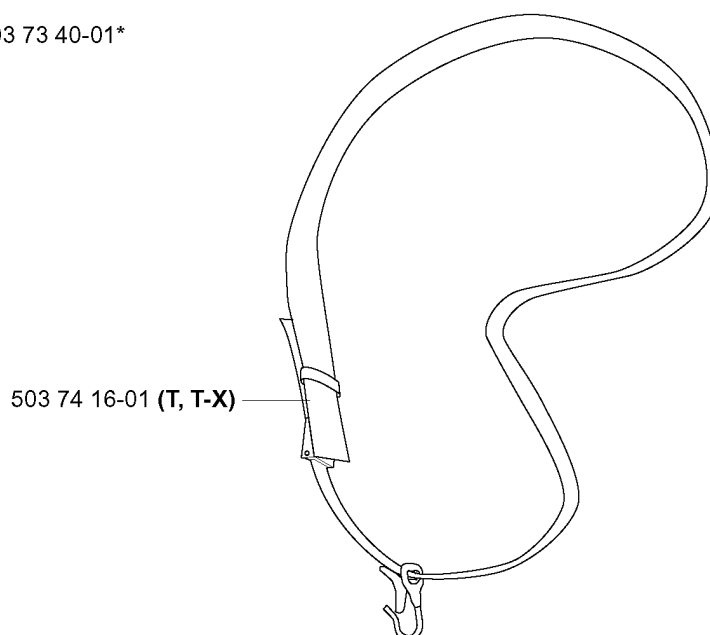
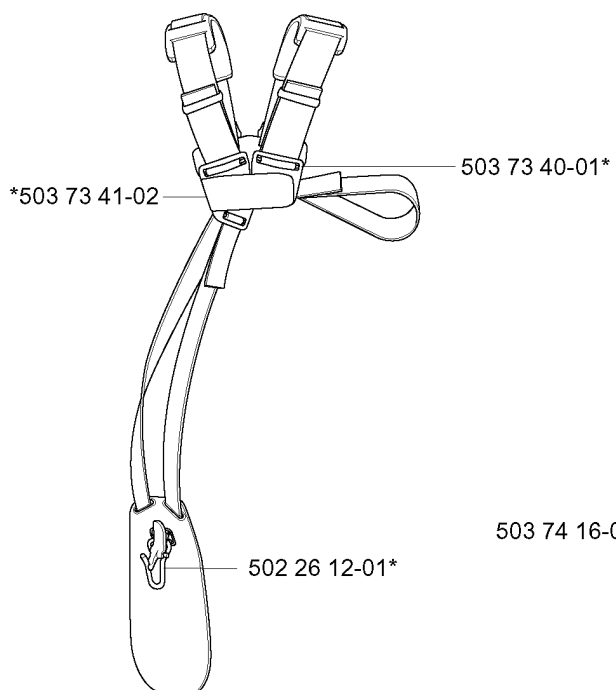
322 R, 20010500001-Current

Part No	Description	Remark	QTY KIT
501 60 02-02	SCREWDRIVER		1
502 11 46-02	SOCKET WRENCH		1
502 21 58-01	WRENCH	4MM	1
502 28 59-01	STOP		1
503 55 86-05	SPANNER	5MM	1
537 08 77-01	TRIMMER GUARD		1
537 08 78-01	ATTACHMENT PLATE		1
725 53 68-55	SCREW IHSCM		2

M 付属品



—*体型 503 73 63-03 (R, R-X)



ACCESSORIES

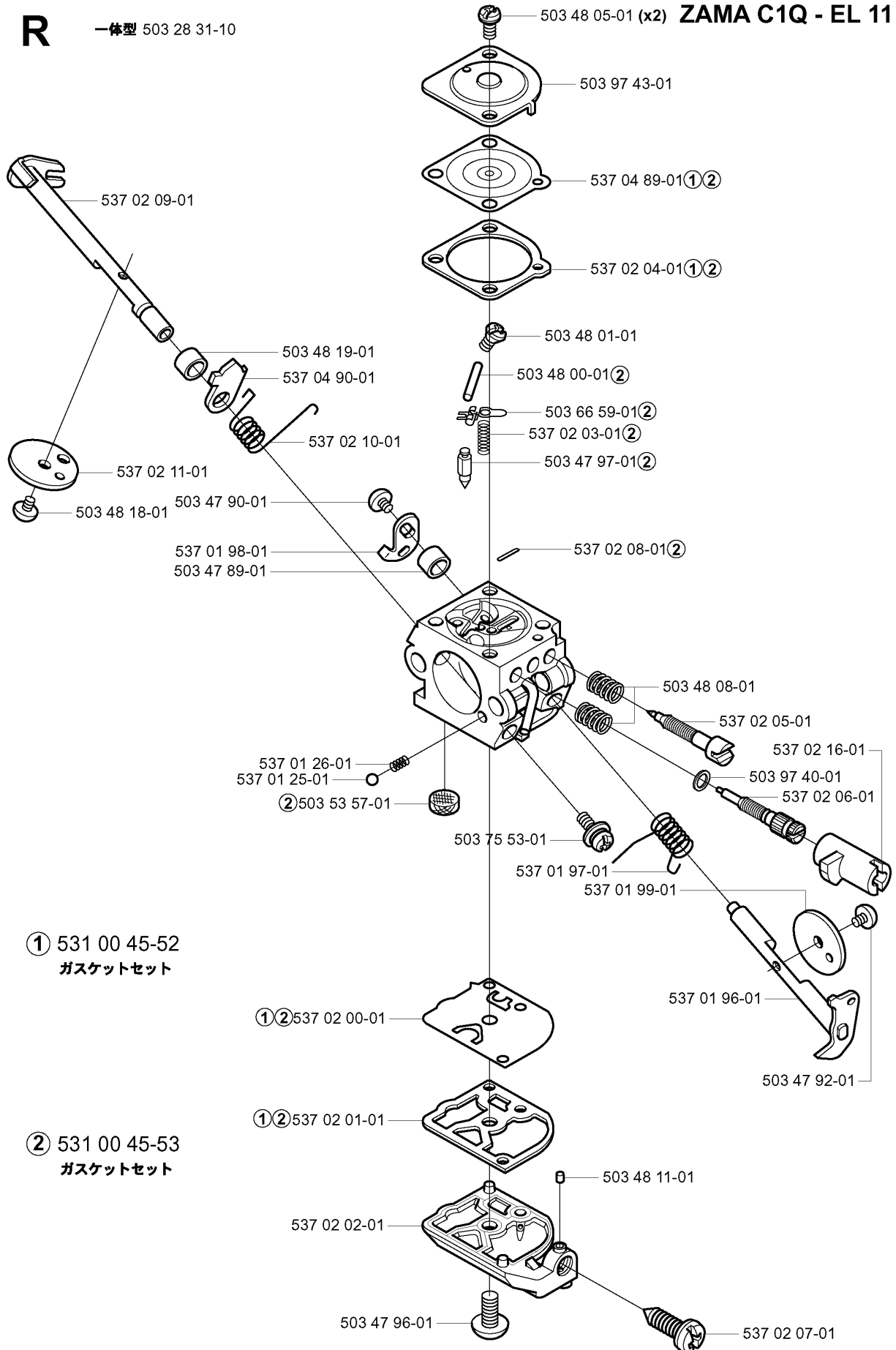
322 R, 20010500001-Current

Part No	Description	Remark	QTY KIT
502 26 12-01	WELT HOOK		1
503 73 40-01	FRONT PIECE		1
503 73 41-02	BUCKLE		1
503 73 63-03	HARNESS	R, R-X	1
503 74 16-01	HARNESS ASSY	T, T-X	1
503 97 64-01	GREASE		1
537 08 80-01	SAFETY GLASSES		1

R

一体型 503 28 31-10

ZAMA C1Q - EL 11



① 531 00 45-52
 ガasketセット

② 531 00 45-53
 ガasketセット

①② 537 02 00-01

①② 537 02 01-01

CARBURETOR DETAILS

322 R, 20010500001-Current

Part No	Description	Remark	QTY KIT
503 28 31-10	CARBURETTOR		1
503 47 89-01	COLLAR		1
503 47 90-01	SCREW		1
503 47 92-01	SCREW		1
503 47 96-01	SCREW		1
503 47 97-01	VALVE	531 00 45-53	1
503 48 00-01	PIN RETAINING SCREW	531 00 45-53	1
503 48 01-01	SCREW		1
503 48 05-01	SCREW		2
503 48 08-01	SPRING		1
503 48 11-01	PIECE		1
503 48 18-01	SCREW		1
503 48 19-01	COLLAR		1
503 53 57-01	STRAINER	531 00 45-53	1
503 66 59-01	LEVER	531 00 45-53	1
503 75 53-01	SCREW		1
503 97 40-01	WASHER		1
503 97 43-01	COVER		1
537 01 25-01	BALL		1
537 01 26-01	SPRING		1
537 01 96-01	SHAFT ASSY		1
537 01 97-01	SPRING		1
537 01 98-01	LEVER		1
537 01 99-01	VALVE		1
537 02 00-01	DIAPHRAGM PUMP	531 00 45-52 531 00 45-53	1
537 02 01-01	GASKET	531 00 45-52 531 00 45-53	1
537 02 02-01	COVER		1
537 02 03-01	SPRING	531 00 45-53	1
537 02 04-01	GASKET	531 00 45-52 531 00 45-53	1
537 02 05-01	SCREW		1
537 02 06-01	SCREW		1
537 02 07-01	SCREW		1
537 02 08-01	PLUG	531 00 45-53	1
537 02 09-01	SHAFT ASSY		1
537 02 10-01	SPRING		1
537 02 11-01	VALVE		1
537 02 16-01	LIMITER CAP		1
537 04 89-01	DIAPHRAGM	531 00 45-52 531 00 45-53	1
537 04 90-01	LEVER		1