



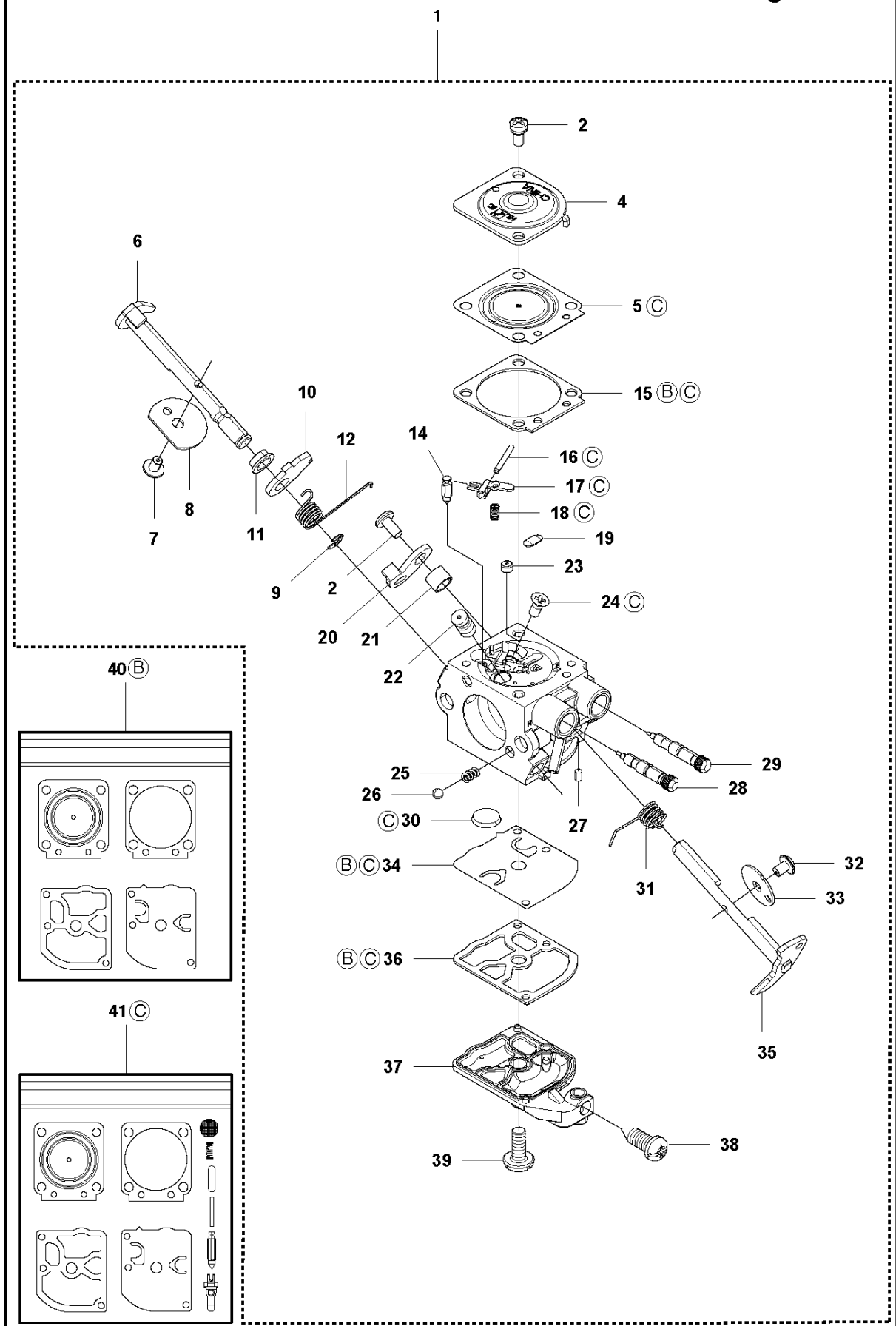
SPARE PARTS LIST

BRUSHCUTTERS/CLEARING SAWS

326 RJX, 20091800001-Current

CARBURETOR (only option for US)

Hualong HQ-2

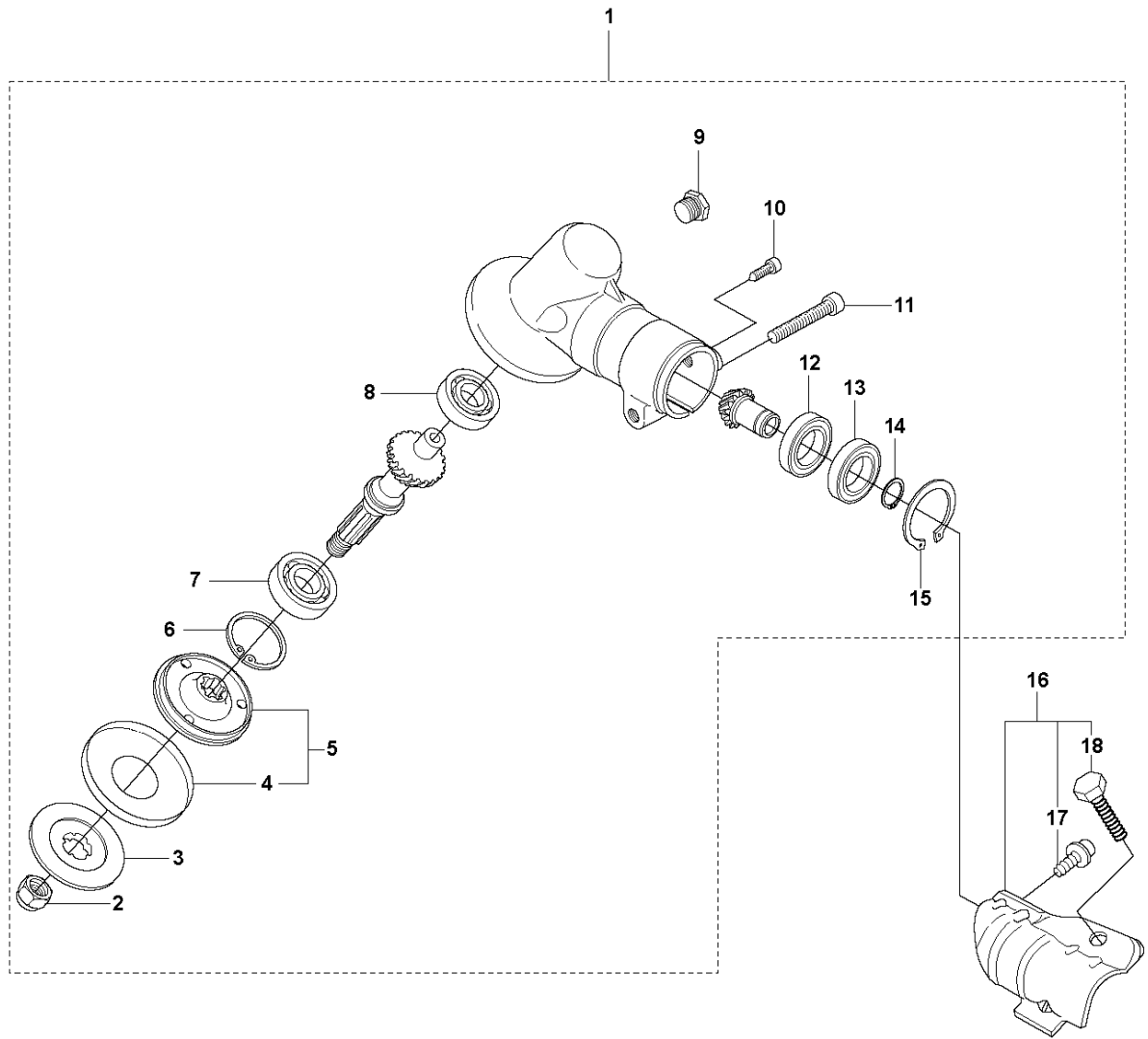


CARBURETOR

326 RJX, 20091800001-Current

Ref	Part No	Description	Remark	QTY	KIT
1	576 01 98-01	CARBURETTOR	Hualong HQ-2, only option for US	1	
2	576 02 42-01	SCREW		2	1
4	576 02 36-01	COVER		1	1
5	576 02 24-01	DIAPHRAGM ASSY		1	1
6	576 02 30-01	SHAFT ASSY		1	1
7	576 02 41-01	SCREW		1	1
8	576 02 32-01	CHOKE		1	1
9	576 02 48-01	E-CLIP		1	1
10	576 02 31-01	LEVER		1	1
11	576 02 35-01	BUSHING		1	1
12	576 02 33-01	SPRING		1	1
14	576 02 01-01	VALVE		1	1
15	576 02 37-01	GASKET		1	1
16	576 02 03-01	PIN		1	1
17	576 02 04-01	LEVER		1	1
18	576 02 05-01	SPRING		1	1
19	576 02 06-01	PLUG		1	1
20	576 02 28-01	LEVER		1	1
21	576 02 29-01	BUSHING		1	1
22	576 02 07-01	MAIN NOZZLE		1	1
23	576 02 08-01	CHECK VALVE		1	1
24	576 02 43-01	SCREW		1	1
25	576 02 34-01	SPRING		1	1
26	576 02 47-01	BALL		1	1
27	576 02 23-01	BAR		1	1
28	576 02 10-01	NEEDLE		1	1
29	576 02 11-01	NEEDLE		1	1
30	576 02 15-01	SCREEN		1	1
31	576 02 27-01	SPRING		1	1
32	576 02 40-01	SCREW		1	1
33	576 02 26-01	THROTTLE		1	1
34	576 02 39-01	DIAPHRAGM PUMP		1	1
35	576 02 25-01	SHAFT ASSY		1	1
36	576 02 38-01	GASKET		1	1
37	576 02 20-01	COVER		1	1
38	576 02 22-01	SCREW		1	1
39	576 02 44-01	SCREW		1	1
40	581 74 35-01	GASKET KIT		1	1
41	581 74 37-01	REPAIR KIT		1	1

A 326LS, Lx, LDx, Rx, RJx
BEVEL GEAR



BEVEL GEAR

326 RJX, 20091800001-Current

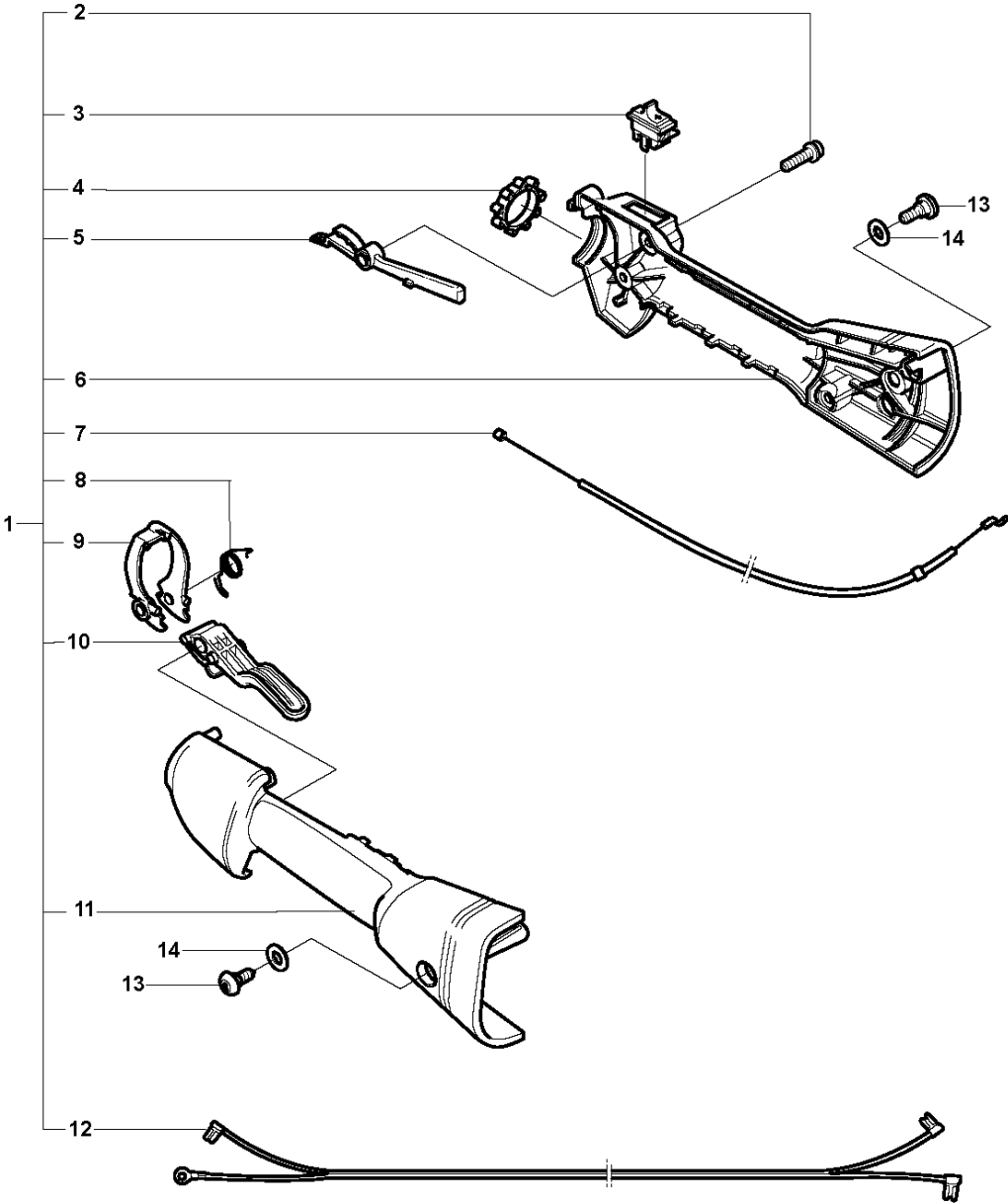
Ref	Part No	Description	Remark	QTY	KIT
1	537 33 38-02	BEVEL GEAR		1	
2	503 85 63-01	NUT		1	1
3	537 28 56-01	SUPPORT FLANGE		1	1
4	537 29 26-01	CUP		1	1
5	537 23 49-01	DRIVER ASSY		1	1
6	735 31 28-10	CIRCLIP		1	1
7	503 25 24-01	BALL BEARING		1	1
8	738 21 98-00	BALL BEARING		1	1
9	503 20 15-01	SCREW		1	1
10	503 20 14-12	SCREW IHSCFMO		1	1
11	503 20 07-25	SCREW IHSCFM		1	1
12	738 21 99-00	BALL BEARING		1	1
13	738 21 99-02	BALL BEARING		1	1
14	735 31 11-00	CIRCLIP		1	1
15	735 31 25-10	CIRCLIP		1	1
16	574 30 69-01	CLAMP		1	
17	503 20 07-12	SCREW IHSCFM		1	16
18	725 23 70-51	SCREW		1	16

SHAFT & HANDLE

326 RJX, 20091800001-Current

Ref	Part No	Description	Remark	QTY KIT
1	503 99 78-01	HANDLE	326RJx	1
1	503 99 78-04	HANDLE	Captive screws	1
2	503 88 88-01	TUBE		1
3	725 23 78-51	SCREW EHHM	326L, LS	1
3	725 23 80-51	SCREW EHHM	326Lx,	1
4	503 87 90-01	KNOB	326Lx	1
5	503 23 00-61	WASHER	326L, LS	1
6	503 87 19-03	HANDLE	326Lx	1
6	503 87 19-08	HANDLE	Captive screws	1
7	503 94 03-01	DISTANCE		1
8	503 20 07-16	SCREW IHSCFM	326RJx	1
9	503 94 10-01	HOOK	326RJx	1
10	731 23 14-01	HEXAGON NUT	326RJx	1
11	503 21 68-16	SCREW IHSCFT	326RJx	3
11	574 18 15-01	SCREW IHSCFTO	326RJx Captive screws	3
12	502 19 71-01	SQUARE NUT		1
13	537 23 48-01	DRIVE SHAFT		1
14	735 31 12-00	CIRCLIP		1
15	537 23 75-01	CLUTCH DRUM ASSY		1
16	537 29 48-01	LABEL		1
17	503 79 56-01	LABEL		1
18	537 10 10-01	LABEL	326RJx	1

E1 326LS, Lx, LDx, Rx, RJx
THROTTLE CONTROLS

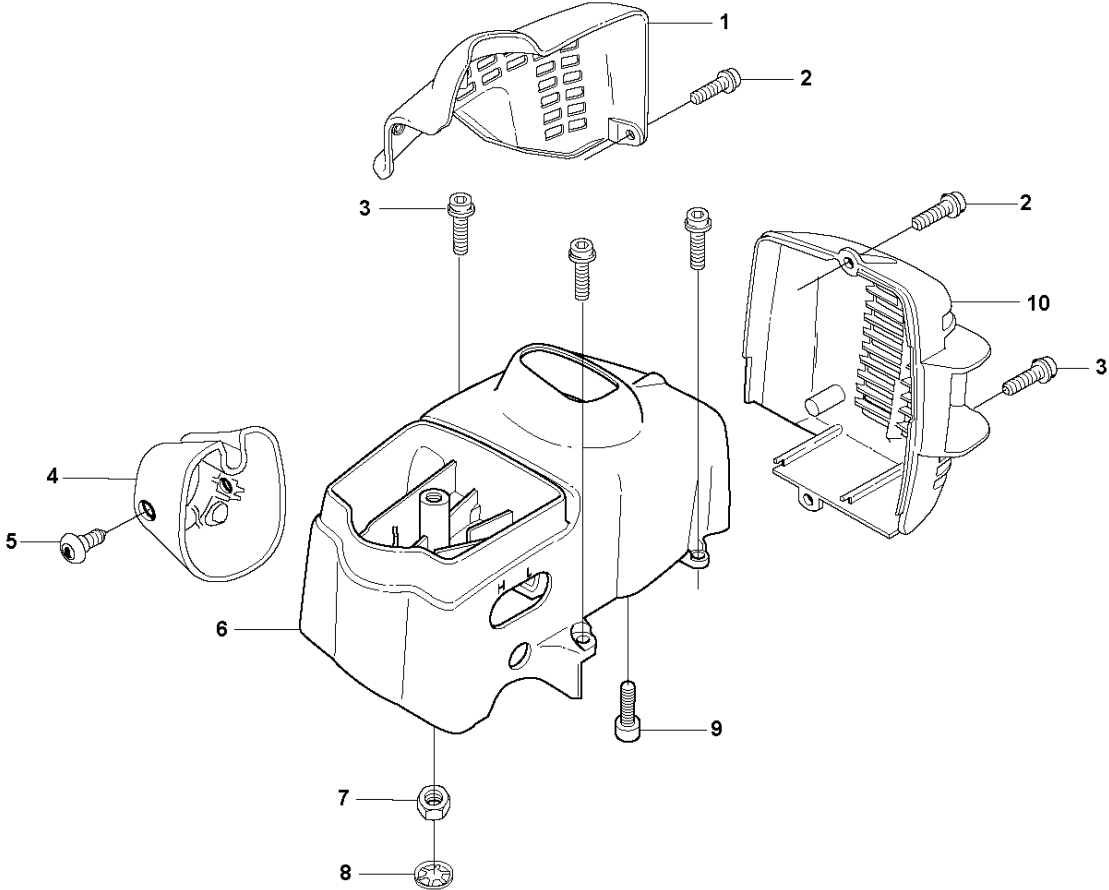


THROTTLE CONTROLS

326 RJX, 20091800001-Current

Ref	Part No	Description	Remark	QTY	KIT
1	503 85 29-02	HANDLE		1	
2	503 21 66-18	SCREW IH SCT		5	1
3	537 41 90-01	SWITCH		1	1
4	503 96 14-01	ABSORBER	326L, Lx, LS, LDx	1	1
5	503 87 80-01	THROTTLE LOCKOUT		1	1
6	503 99 55-02	HANDLE HALF	326Lx, LDx	1	1
6	503 99 55-01	HANDLE HALF	326L, LS	1	
7	544 17 17-03	THROTTLE CABLE ASSY		1	1
8	537 01 13-01	RECOIL SPRING		1	1
9	503 91 81-01	THROTTLE LEVER		1	1
10	503 87 79-03	THROTTLE TRIGGER		1	
11	503 99 56-02	HANDLE HALF	326Lx, LDx	1	1
11	503 99 56-01	HANDLE HALF	326L, LS	1	
12	537 41 42-01	SHORT CIRCUIT CABLE		1	1
13	503 96 13-01	SCREW		2	
14	740 42 06-00	O-RING		2	

F1 326LS, Lx, LDx, Rx, RJx
COVERS

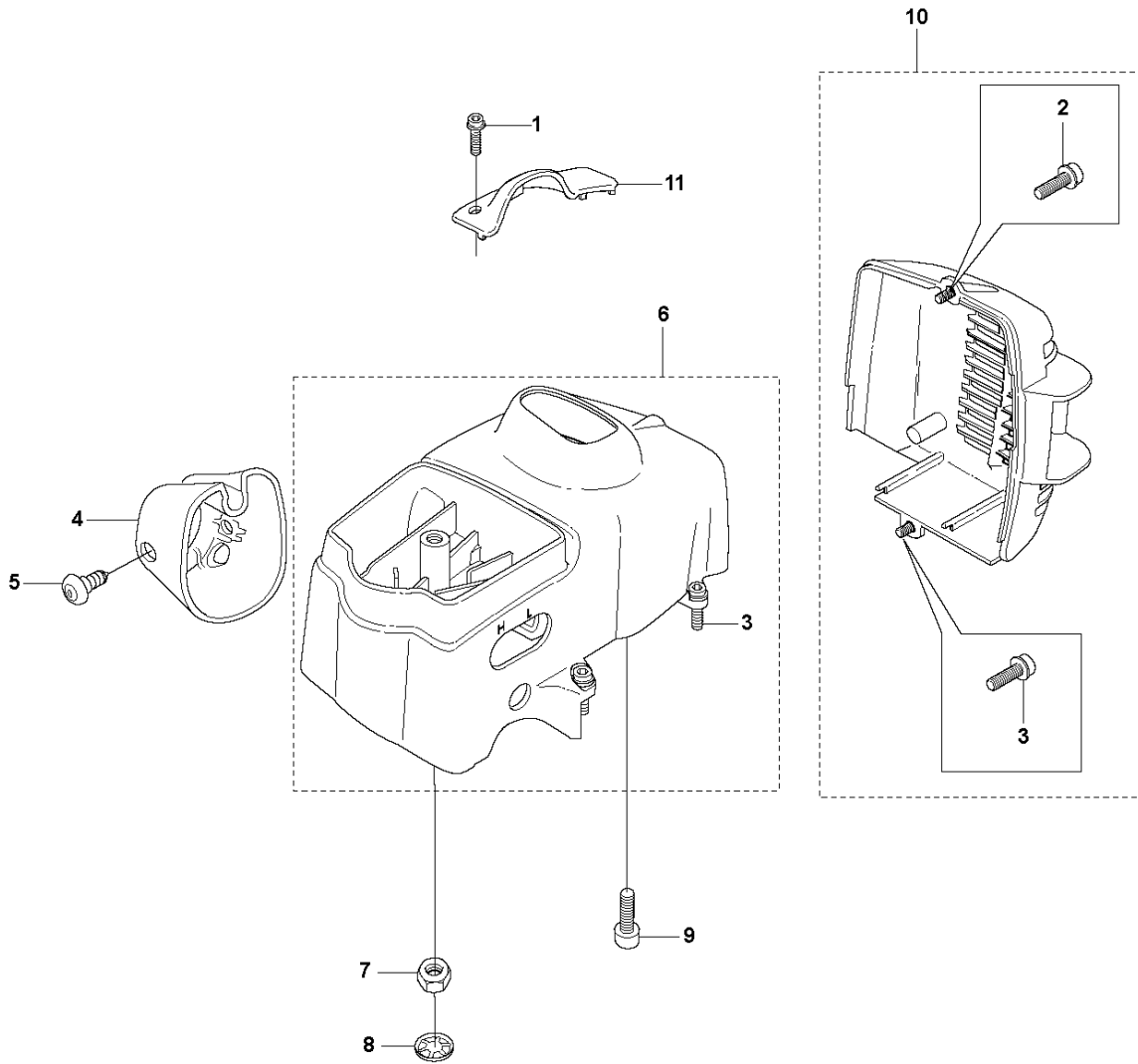


COVER

326 RJX, 20091800001-Current

Ref	Part No	Description	Remark	QTY KIT
1	537 06 66-01	ARM PROTECTION		1
2	503 21 68-20	SCREW IHSCFT		2
3	503 20 03-16	SCREW IHSCFM	M5x16	4
4	503 97 21-01	COVER	326Rx	1
5	503 96 13-01	SCREW	326Rx	2
6	537 06 61-02	CYLINDER COVER		1
7	503 22 24-01	LOCK NUT		1
8	544 90 85-01	WASHER		1
9	503 21 71-16	SCREW IHSCFT		1
10	537 06 65-02	HEAT PROTECTOR		1

F2 326LS, Lx, LDx, Rx, RJx
COVERS

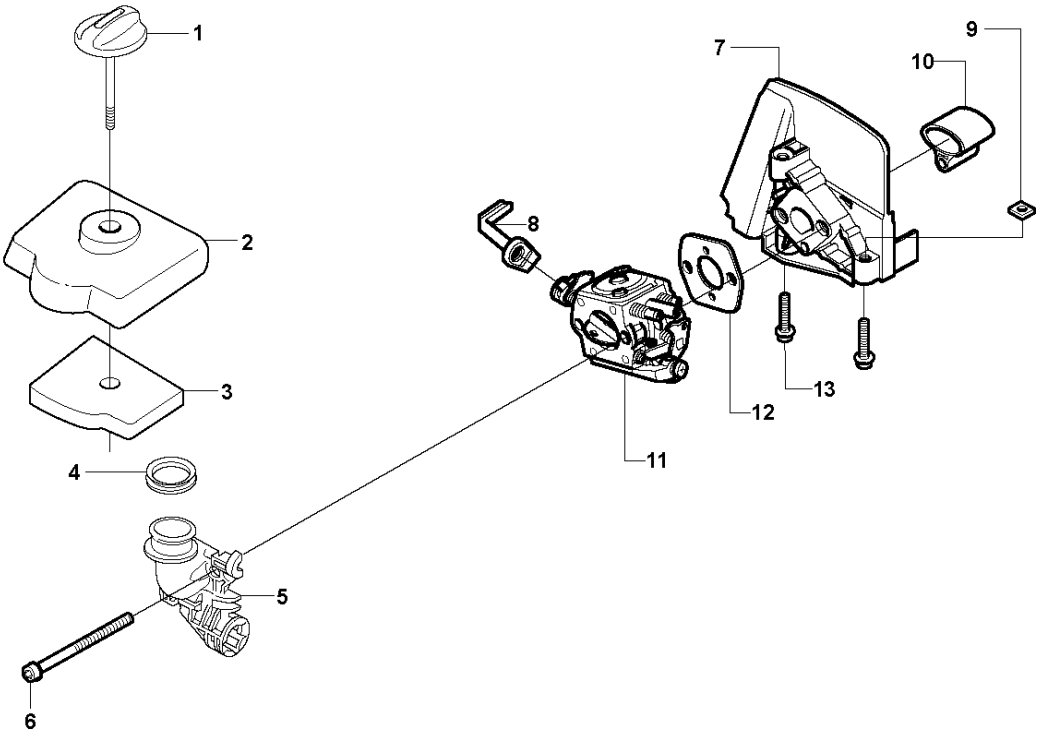


COVER

326 RJX, 20091800001-Current

Ref	Part No	Description	Remark	QTY KIT	
9	503 21 71-16	SCREW IH SCT		1	
7	503 22 24-01	LOCK NUT		1	
5	503 96 13-01	SCREW	326Rx	2	
4	503 97 21-01	COVER	326Rx	1	
6	537 06 61-03	CYLINDER COVER	captive screws	1	
10	537 06 65-02	HEAT PROTECTOR		1	
11	537 10 44-01	ARM PROTECTION			
8	544 90 85-01	WASHER		1	
3	574 47 70-03	SCREW IH SCFMO	captive screws M5x16	4	6, 10
1	503 21 35-12	SCREW CCRPANT		1	
2	574 18 15-01	SCREW IH SCFTO		1	10

G 326LS, Lx, LDx, Rx, RJx
CARBURETOR & AIR FILTER

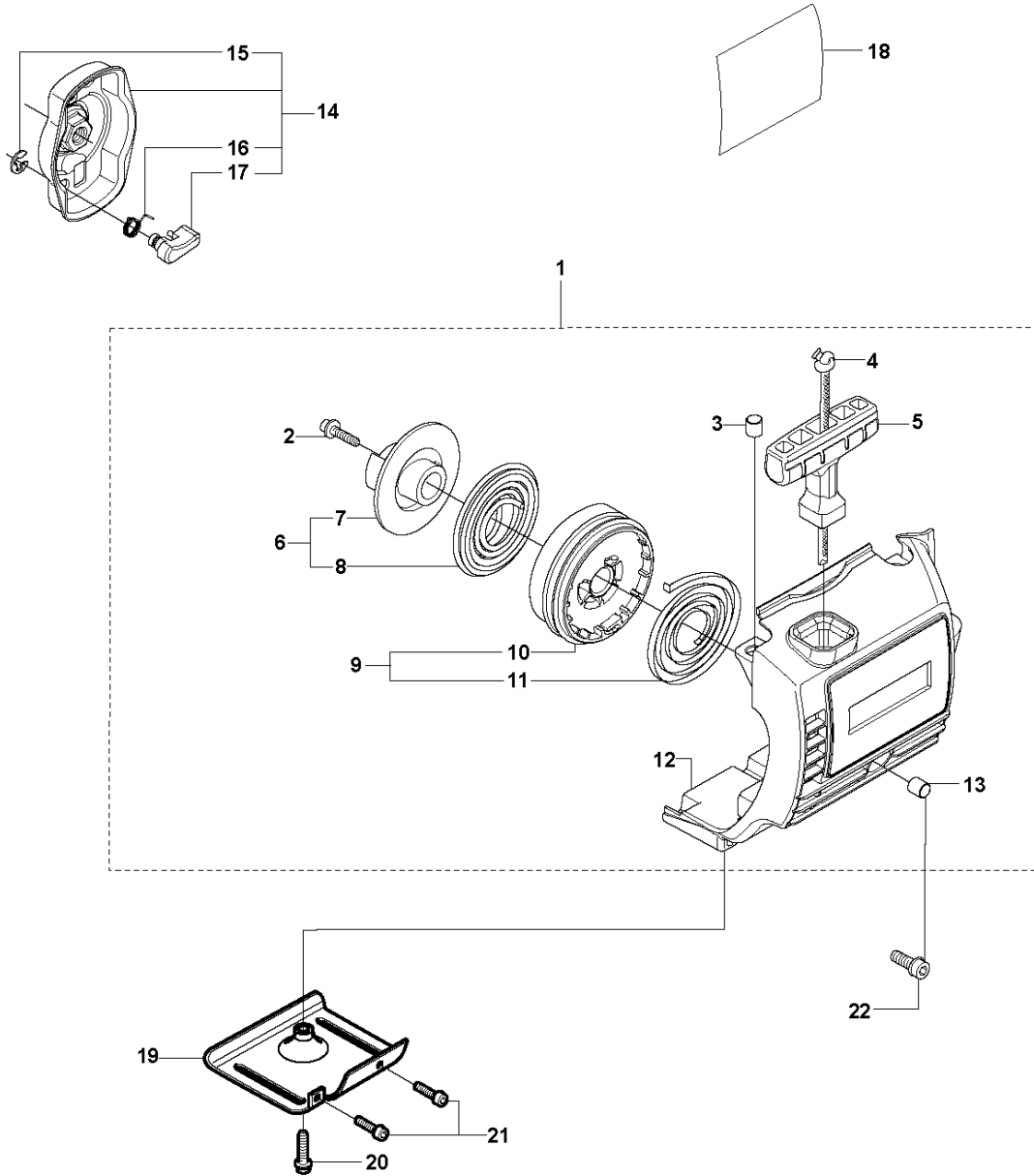


CARBURETOR & AIR FILTER

326 RJX, 20091800001-Current

Ref	Part No	Description	Remark	QTY KIT
1	537 21 32-10	KNOB		1
2	537 06 63-02	FILTER COVER		1
3	537 14 31-01	AIR FILTER ASSY		1
4	740 68 11-21	V-RING		1
5	537 05 78-01	BRACKET		1
6	503 21 75-50	SCREW IHSCFT		2
7	503 91 09-01	INSULATION WALL		1
8	503 96 25-01	CHOKE CONTROL		1
9	503 22 65-04	SQUARE NUT		2
10	503 94 26-01	INLET PIPE		1
11	503 28 34-01	CARBURETTOR	Zama C1Q-EL24 (Not for US)	1
11	576 01 98-01	CARBURETTOR	Hualong HQ-2 (Only option for US)	1
12	503 49 71-01	GASKET		1
13	503 20 03-25	SCREW IHSCFM		2

H1 326Lx, LDx, Rx, RJx
STARTER

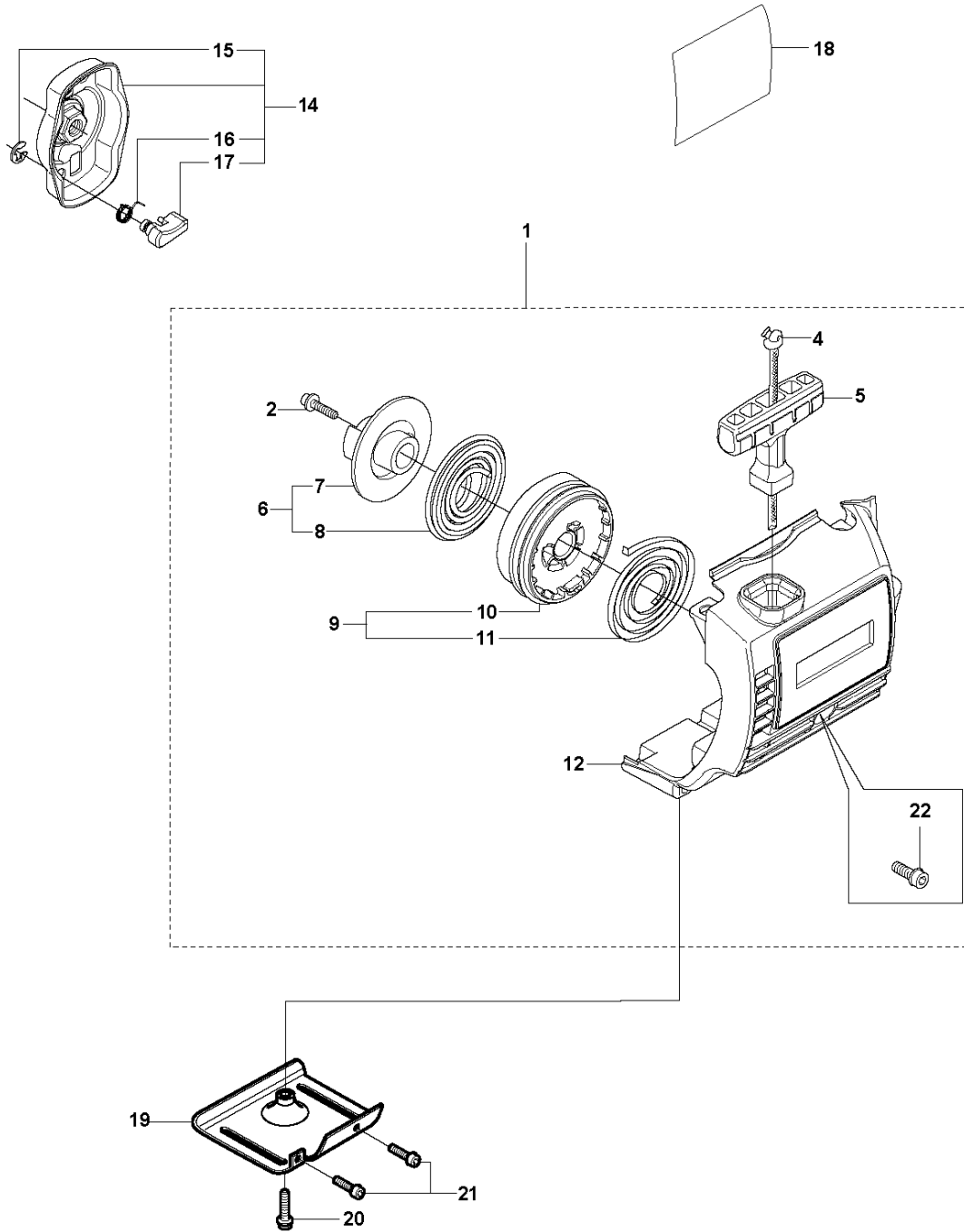


STARTER

326 RJX, 20091800001-Current

Ref	Part No	Description	Remark	QTY	KIT
1	544 07 11-02	STARTER ASSY		1	
2	503 21 77-25	SCREW IHSC T		1	1
3	537 37 93-02	SPACING SLEEVE		2	1
4	503 85 89-01	STARTER ROPE		1	1
5	537 00 84-01	STARTER HANDLE		1	1
6	502 08 24-01	DRIVER		1	1
7	544 03 87-02	DRIVER		1	1
8	544 03 88-02	SPRING		1	1
9	544 16 65-01	STARTER PULLEY ASSY		1	1
10	544 03 86-01	STARTER PULLEY		1	1
11	503 85 90-01	RECOIL SPRING		1	1
12	537 41 16-01	STARTER HOUSING		1	1
13	537 37 93-02	SPACING SLEEVE		1	1
14	503 87 33-05	STARTER PAWL		1	
15	735 31 08-20	E-CLIP		2	14
16	503 87 36-01	SPRING		2	14
17	503 87 35-02	STARTER PAWL		2	14
18	537 35 34-31	LABEL		1	
18	537 35 34-33	LABEL	326Lx	1	
18	537 35 34-32	LABEL	326Rx	1	
18	537 35 34-34	LABEL	326LDx	1	
19	537 03 41-01	PROTECTIVE PLATE	326RJx	1	
20	503 20 03-16	SCREW IHSCFM		1	
21	503 21 66-18	SCREW IHSC T		1	
22	503 21 68-20	SCREW IHSCFT		1	

H2 326Lx, LDx, Rx, RJx
STARTER

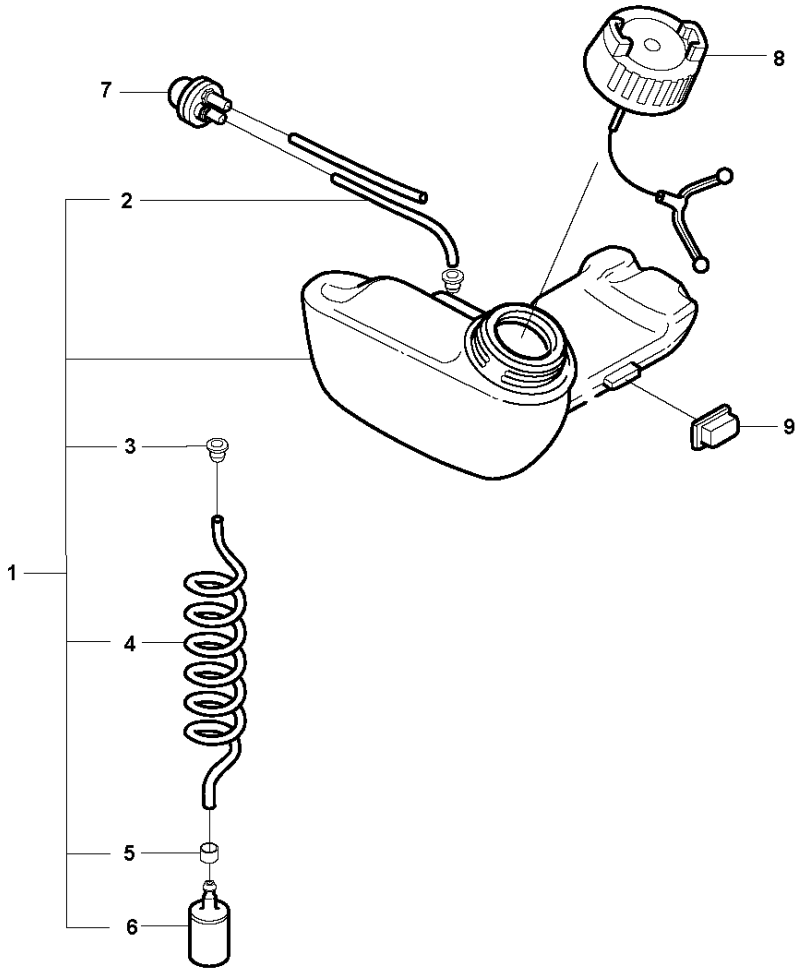


STARTER

326 RJX, 20091800001-Current

Ref	Part No	Description	Remark	QTY	KIT
1	544 07 11-03	STARTER ASSY	captive screws	1	
2	503 21 77-25	SCREW IHST		1	1
4	503 85 89-01	STARTER ROPE		1	1
5	537 00 84-01	STARTER HANDLE		1	1
6	502 08 24-01	DRIVER		1	1
7	544 03 87-02	DRIVER		1	1
8	544 03 88-02	SPRING		1	1
9	544 16 65-01	STARTER PULLEY ASSY		1	1
10	544 03 86-01	STARTER PULLEY		1	1
11	503 85 90-01	RECOIL SPRING		1	1
12	537 41 16-02	STARTER HOUSING	captive screws	1	1
14	503 87 33-05	STARTER PAWL		1	
15	735 31 08-20	E-CLIP		2	14
16	503 87 36-01	SPRING		2	14
17	503 87 35-02	STARTER PAWL		2	14
18	537 35 34-31	LABEL	326Lx	1	
18	537 35 34-33	LABEL	326Rx	1	
18	537 35 34-32	LABEL	326LDx	1	
18	537 35 34-34	LABEL	326RJx	1	
19	537 03 41-01	PROTECTIVE PLATE		1	
20	503 20 03-16	SCREW IHSCFM		1	
21	503 21 66-18	SCREW IHST		1	
22	574 47 70-03	SCREW IHSCFMO	captive screws	1	

J 326LS, Lx, LDx, Rx, RJx
FUEL TANK

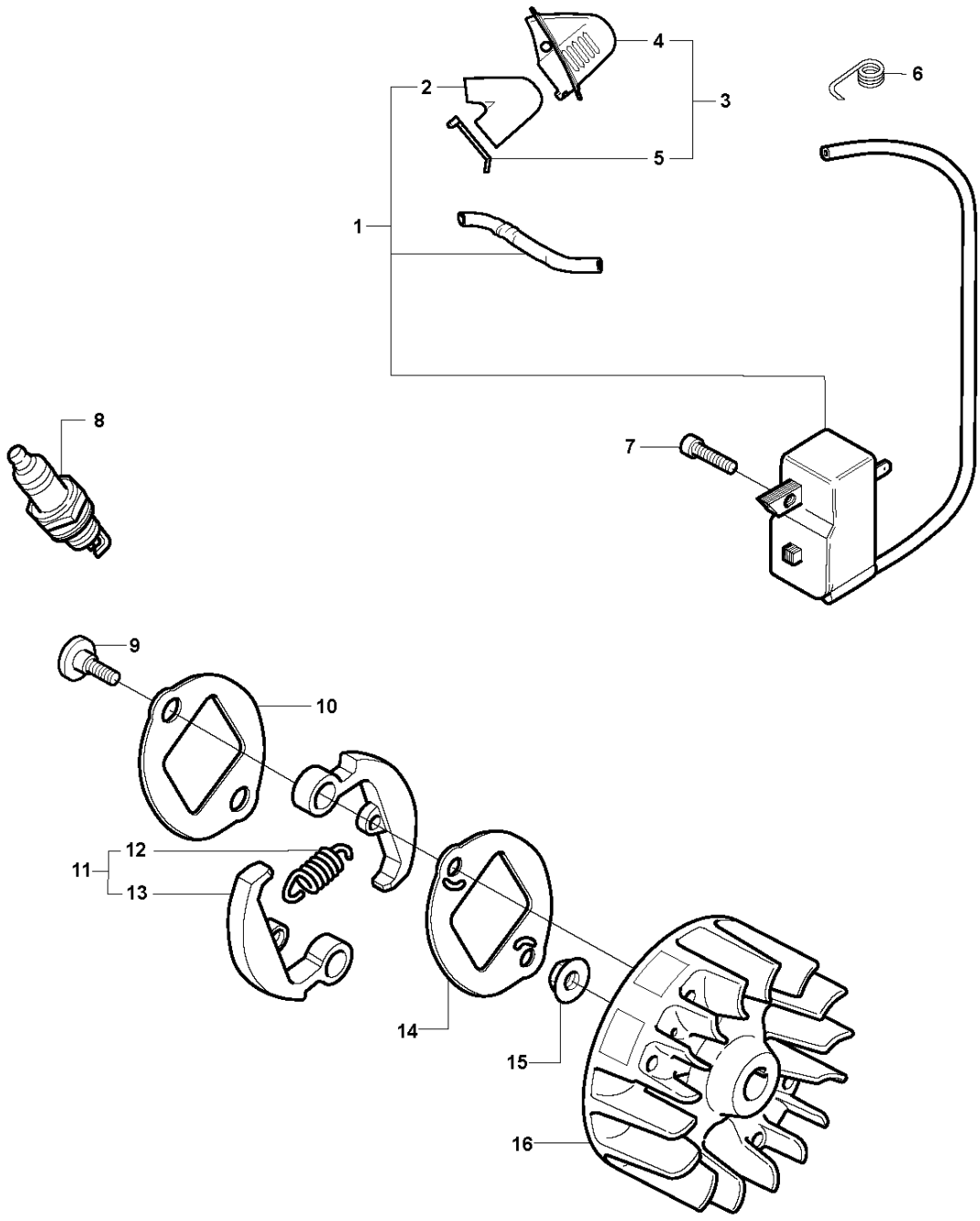


FUEL TANK

326 RJX, 20091800001-Current

Ref	Part No	Description	Remark	QTY	KIT
1	537 06 86-02	FUEL TANK		1	
2	537 04 24-01	FUEL HOSE		2	1
3	503 73 58-01	BUSHING		2	1
4	544 32 50-01	FUEL HOSE		1	1
5	504 02 24-01	HOSE CLAMP		1	1
6	503 44 32-01	FUEL FILTER		1	1
7	503 93 66-01	PURGE		1	
8	544 88 97-02	TANK CAP		1	
9	503 91 10-01	SUSPENSION		4	

K 326LS, Lx, LDx, Rx, RJx
IGNITION & CLUTCH

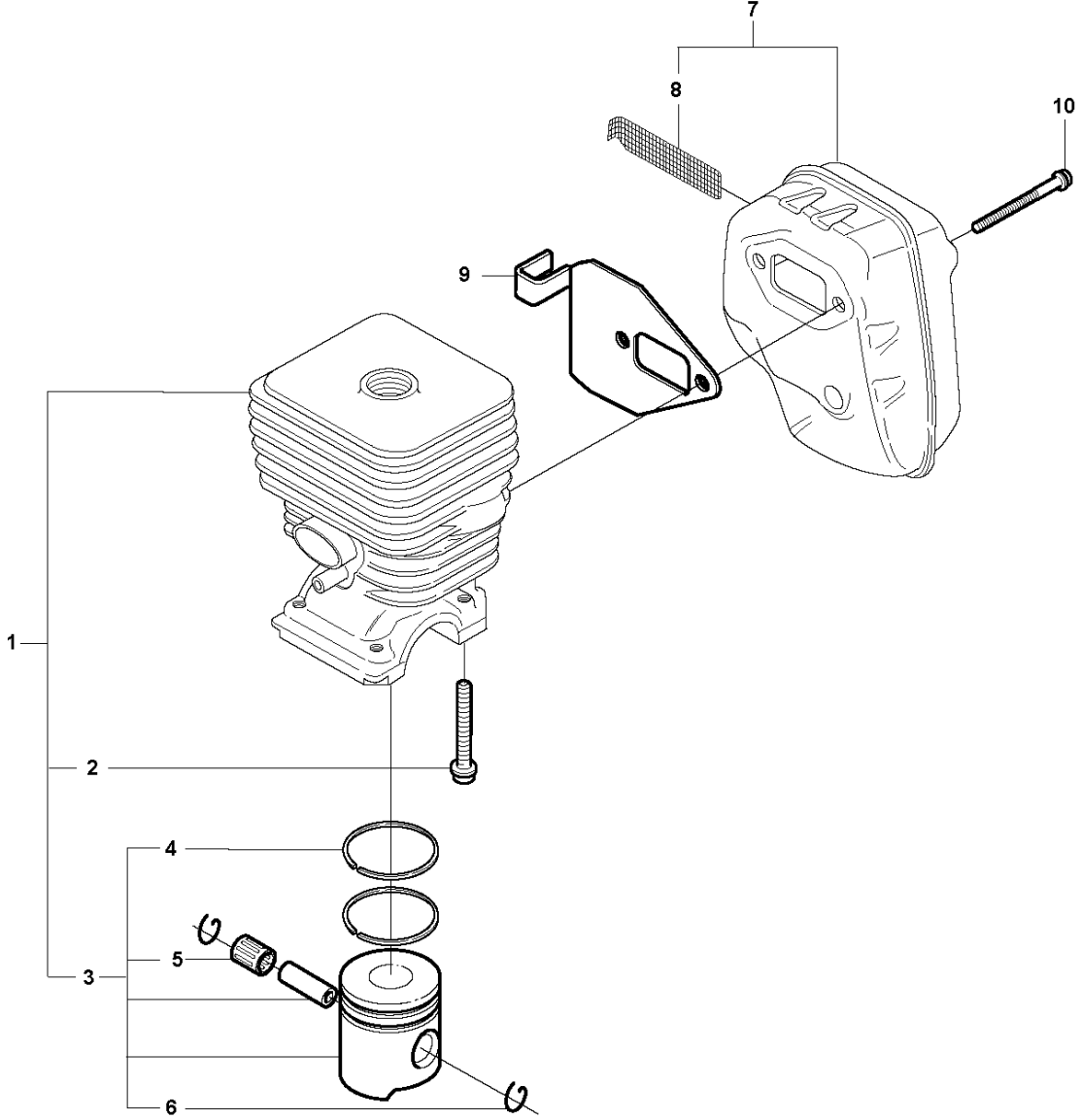


IGNITION SYSTEM

326 RJX, 20091800001-Current

Ref	Part No	Description	Remark	QTY	KIT
1	537 41 87-01	IGNITION MODULE		1	
2	537 23 96-01	SPARK PLUG CAP		1	1
3	537 06 33-02	COVER		1	
4	537 06 44-03	COVER		1	3
5	537 09 17-01	SECURING PLATE		1	3
6	501 48 56-01	CONTACT SPRING		1	
7	503 21 71-16	SCREW IHST		2	
8	503 23 51-09	SPARK PLUG	Champion RCJ 6Y	1	
9	503 84 29-02	SCREW		2	
10	537 04 67-02	WASHER		1	
11	537 03 22-01	CLUTCH ASSY		1	
12	503 81 60-01	CLUTCH SPRING		1	11
13	503 84 28-01	CLUTCH SHOE		2	11
14	537 04 68-02	WASHER		1	
15	731 71 16-51	HEXAGON NUT FLANGE		1	
16	537 24 96-02	FLYWHEEL		1	

L 326LS, Lx, LDx, Rx, RJx
CYLINDER PISTON & MUFFLER

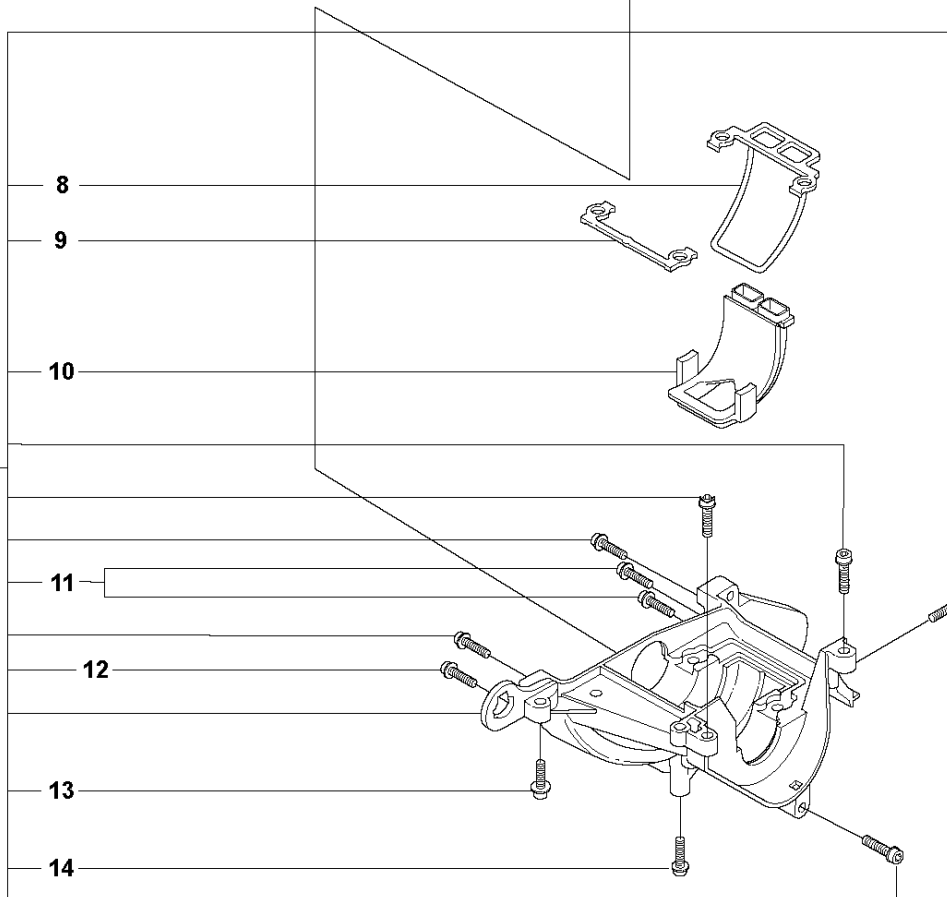
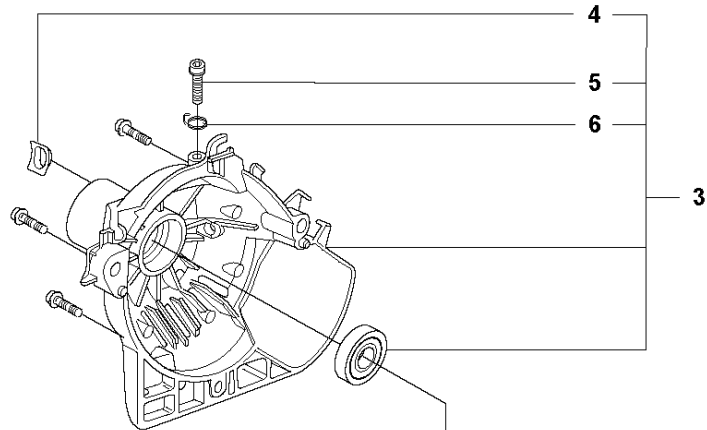
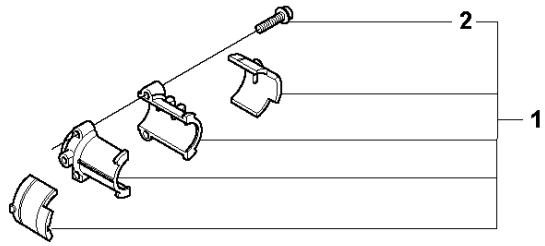


CYLINDER, PISTON & MUFFLER

326 RJX, 20091800001-Current

Ref	Part No	Description	Remark	QTY KIT	
1	537 08 51-02	PISTON	Ø=34mm	1	
2	503 20 07-35	SCREW IHSCFM		4	1
3	537 40 59-02	PISTON		1	1
4	537 40 62-01	PISTON RING		2	3
5	503 71 22-01	BEARING		1	3
6	737 44 08-00	CIRCLIP		2	3
7	537 22 17-03	MUFFLER ASSY	Cat.	1	
8	537 22 18-01	SPARK ARRESTER SCREEN		1	7
9	537 01 41-01	GASKET		1	
10	503 20 29-56	SCREW IHSCFM		3	

M 326LS, Lx, LDx, Rx, RJx
CRANK CASE

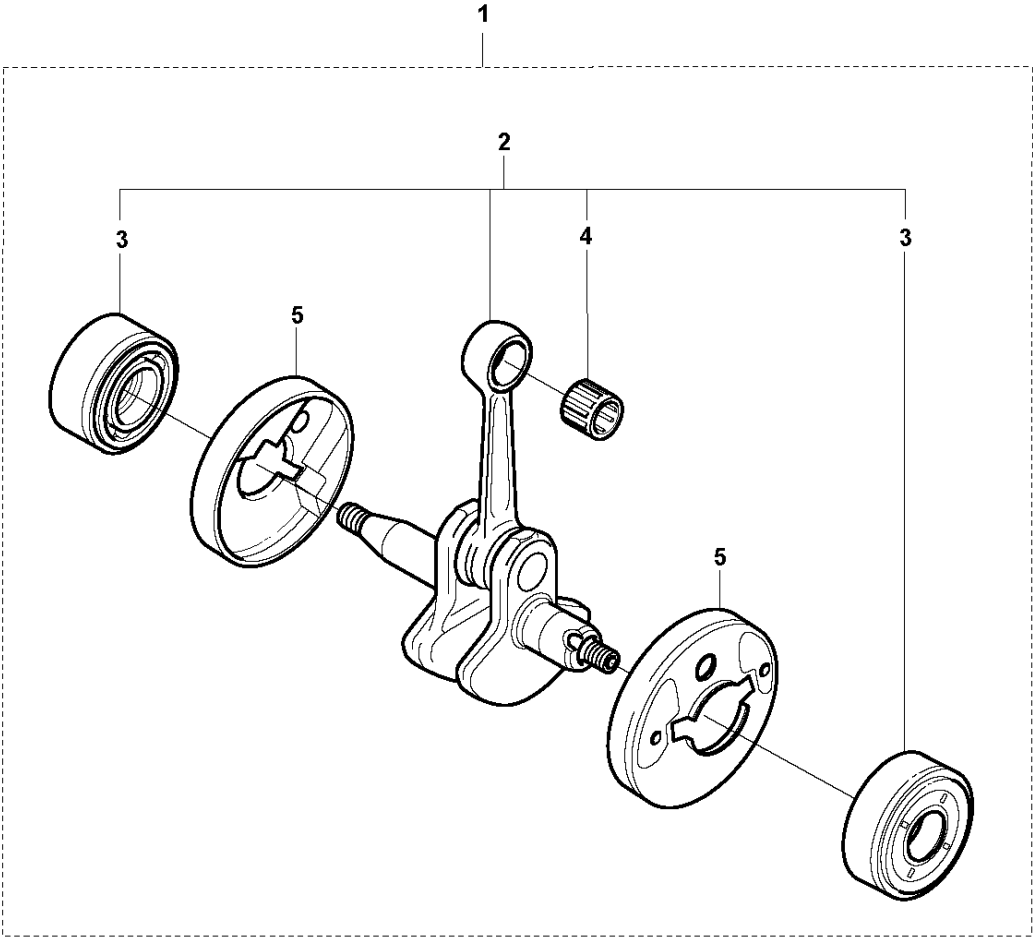


CRANKCASE

326 RJX, 20091800001-Current

Ref	Part No	Description	Remark	QTY	KIT
1	537 30 96-01	SLEEVE		1	
2	503 21 68-25	SCREW IHSCFT		2	1
3	537 04 12-07	CLUTCH COVER		1	
4	537 42 50-01	PROTECTIVE PLATE		1	3
5	503 20 03-16	SCREW IHSCFM	M5x16	1	3
6	537 07 36-01	SPRING		1	3
7	537 08 52-03	CRANKCASE		1	
8	537 06 69-01	GASKET		1	7
9	537 08 85-01	GASKET		1	7
10	537 06 68-01	INSERT CRANKCASE		1	7
11	503 21 66-18	SCREW IHST		1	7
12	503 20 03-16	SCREW IHSCFM	M5x16	8	7
13	503 21 77-16	SCREW IHST		1	7
14	503 20 14-12	SCREW IHSCFMO		1	7

N 326LS, Lx, LDx, Rx, RJx
CRANK SHAFT



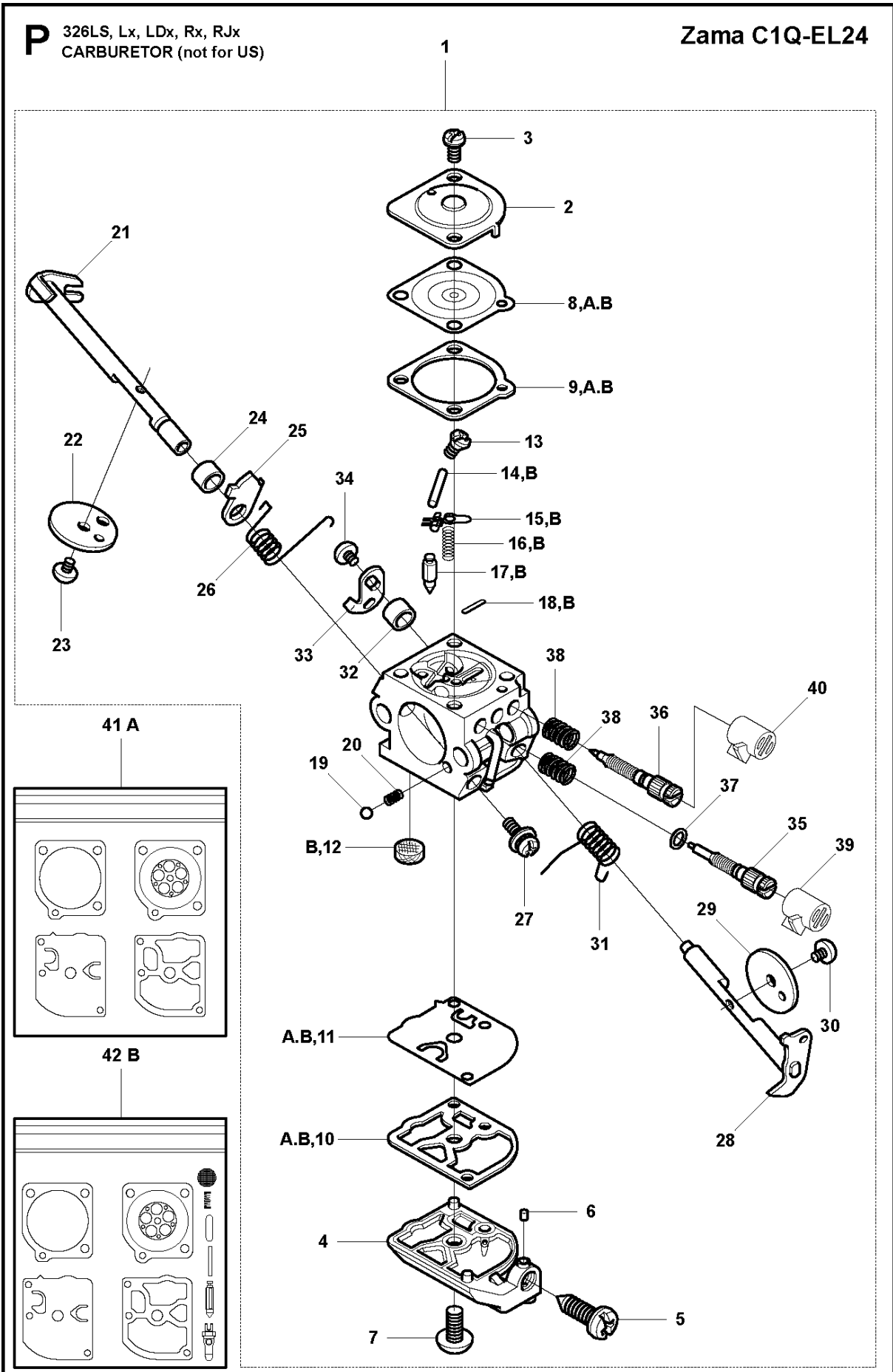
CRANKSHAFT

326 RJX, 20091800001-Current

Ref	Part No	Description	Remark	QTY	KIT
1	503 85 24-74	CRANKSHAFT ASSY		1	
2	503 85 24-75	CRANKSHAFT ASSY		1	1
3	503 94 02-03	BEARING CAGE		2	1, 2
4	503 71 22-01	BEARING		1	1, 2
5	503 94 05-01	CUP		2	1

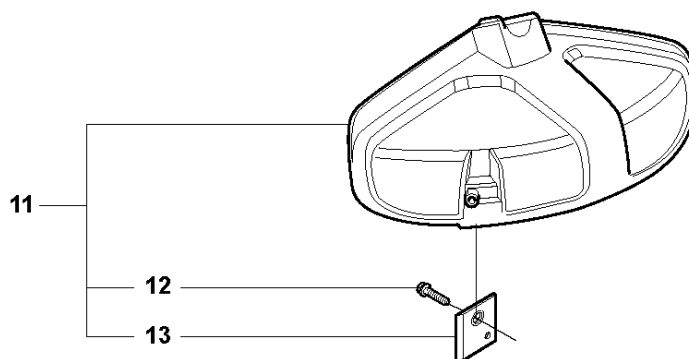
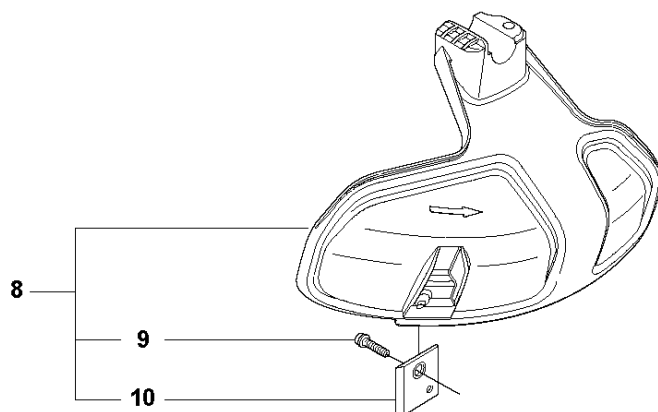
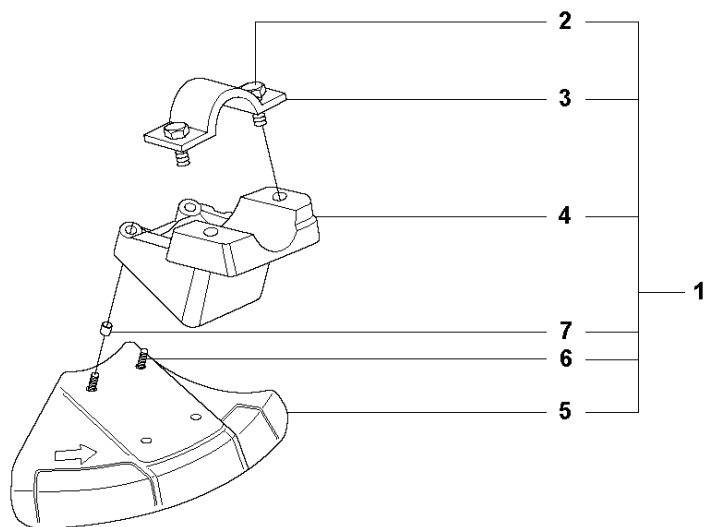
P 326LS, Lx, LDx, Rx, RJx
CARBURETOR (not for US)

Zama C1Q-EL24



Ref	Part No	Description	Remark	QTY	KIT
1	503 28 34-01	CARBURETTOR	Zama C1Q-EL24 (Not for US)	1	
2	503 97 43-01	COVER		1	1
3	503 48 05-01	SCREW		2	1
4	537 02 02-01	COVER		1	1
5	537 02 07-01	SCREW		1	1
6	503 48 11-01	PIECE		1	1
7	503 47 96-01	SCREW		1	1
8	537 04 89-01	DIAPHRAGM		1	1,A,B
9	537 02 04-01	GASKET		1	1,A,B
10	537 02 01-01	GASKET		1	1,A,B
11	537 02 00-01	DIAPHRAGM PUMP		1	1,A,B
12	503 53 57-01	STRAINER		1	1,B
13	503 48 01-01	SCREW		1	1
14	503 48 00-01	PIN RETAINING SCREW		1	1,B
15	503 66 59-01	LEVER		1	1,B
16	537 02 03-01	SPRING		1	1,B
17	503 47 97-01	VALVE		1	1,B
18	537 02 08-01	PLUG		1	1,B
19	537 01 25-01	BALL		1	1
20	537 01 26-01	SPRING		1	1
21	537 02 09-01	SHAFT ASSY		1	1
22	537 37 03-01	VALVE		1	1
23	503 48 18-01	SCREW		1	1
24	503 48 19-01	COLLAR		1	1
25	537 04 90-01	LEVER		1	1
26	537 02 10-01	SPRING		1	1
27	503 75 53-01	SCREW		1	1
28	537 01 96-01	SHAFT ASSY		1	1
29	537 01 99-01	VALVE		1	1
30	503 47 92-01	SCREW		1	1
31	537 01 97-01	SPRING		1	1
32	503 47 89-01	COLLAR		1	1
33	537 01 98-01	LEVER		1	1
34	503 47 90-01	SCREW		1	1
35	537 02 06-01	SCREW		1	1
36	537 12 78-01	SCREW		1	1
37	503 97 40-01	WASHER		1	1
38	503 48 08-01	SPRING		1	1
39	537 02 16-01	LIMITER CAP		1	1
40	537 02 16-01	LIMITER CAP		1	1
41	531 00 45-52	GASKET KIT		1	
42	531 00 45-53	GASKET KIT		1	

Q 326LS, Lx, LDx, Rx, RJx
ACCESSORIES

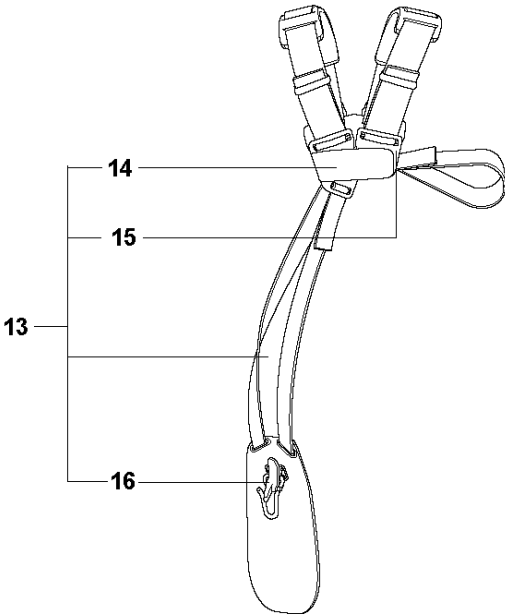
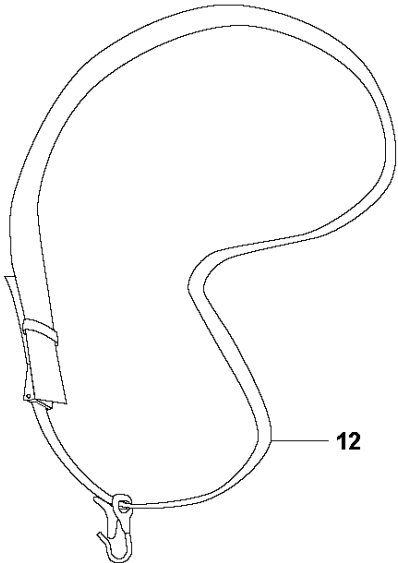
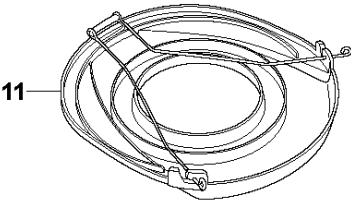
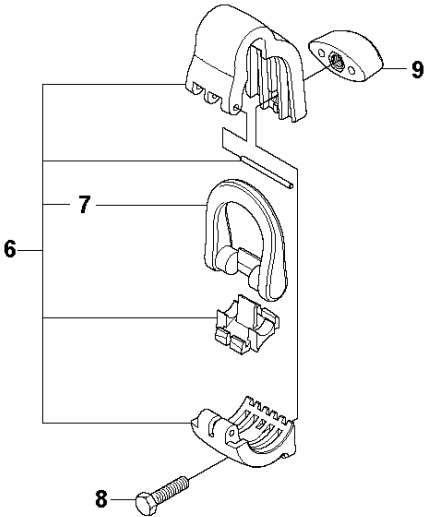
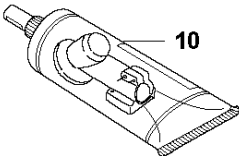
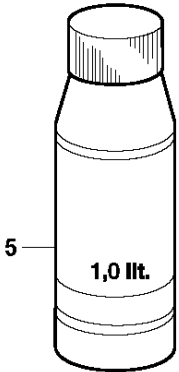
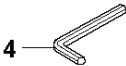
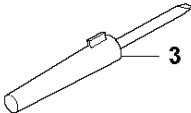
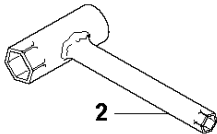
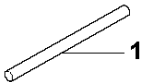


ACCESSORIES

326 RJX, 20091800001-Current

Ref	Part No	Description	Remark	QTY KIT	
1	544 04 42-10	ACCESSORY BAG	Captive screws	1	
2	573 99 43-04	SCREW IHSCFMO	Captive screws	2	1
3	574 56 80-01	CLAMP	Captive screws	1	1
4	537 29 34-01	ADAPTER		1	1
5	574 56 49-02	BLADE GUARD	Captive screws	1	1
6	503 20 03-16	SCREW IHSCFM	Captive screws	4	1
7	574 03 95-01	LOCK NUT	Captive screws	4	1
8	503 97 71-01	TRIMMER GUARD ASSY		1	
9	503 21 07-16	SCREW IHSCF		1	8
10	503 79 88-01	BLADE		1	8
11	503 93 42-02	COMBINATION GUARD		1	
12	503 21 07-16	SCREW IHSCF		1	11
13	503 79 88-01	BLADE		1	11

R 326LS, Lx, LDx, Rx, RJx
ACCESSORIES

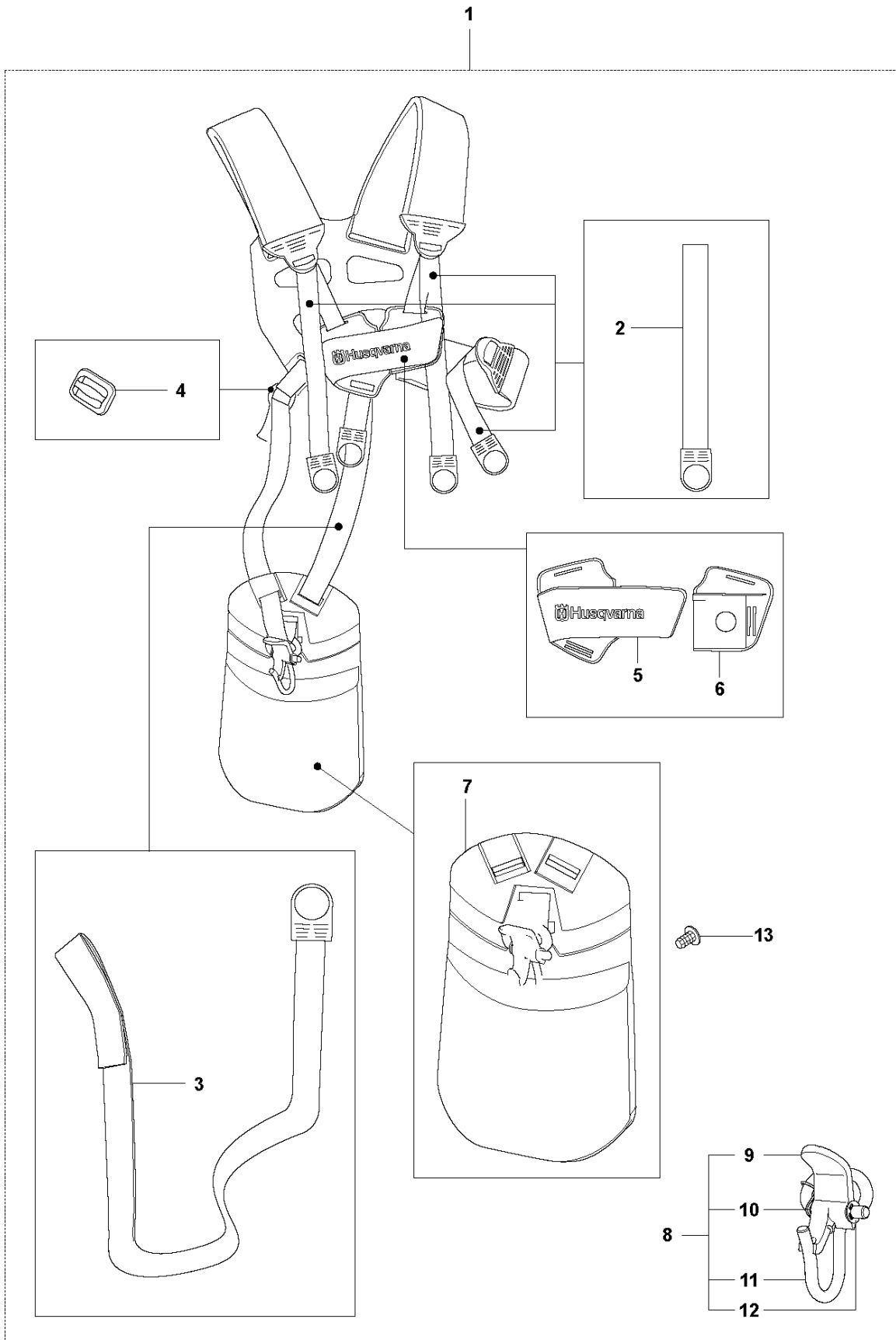


ACCESSORIES

326 RJX, 20091800001-Current

Ref	Part No	Description	Remark	QTY	KIT
1	502 28 59-01	STOP		1	
2	502 11 46-02	SOCKET WRENCH		1	
3	501 60 02-03	SCREWDRIVER		1	
4	502 21 58-01	WRENCH		1	
5	531 00 92-48	FILTER OIL	Oil Air filter	1	
6	537 35 36-01	LOOP		1	
7	537 35 01-01	LOOP		1	6
8	725 23 31-51	SCREW		1	
9	537 13 04-02	KNOB		1	
10	503 97 64-01	GREASE		1	
11	537 31 29-01	TRANSPORT GUARD	200-275 mm	1	
12	537 21 62-01	HARNESS		1	
12	537 21 62-02	HARNESS	US	1	
13	537 21 63-01	HARNESS		1	
13	537 21 63-02	HARNESS	US	1	
14	503 73 41-02	BUCKLE		1	13
15	503 73 41-01	HARNESS		1	13
16	502 02 28-02	WELT HOOK		1	13

S Duo Balance
HARNESS



HARNES

326 RJX, 20091800001-Current

Ref	Part No	Description	Remark	QTY KIT	
1	537 27 57-01	HARNES		1	
1	537 27 57-03	HARNES	US	1	1
2	503 99 61-01	BAND		3	1
3	503 99 61-03	BAND		1	1
4	537 11 35-01	RETAINER		1	1
5	537 28 84-01	BUCKLE		1	1
6	537 28 83-01	BUCKLE		1	1
7	537 27 59-01	HIP PAD		1	1
8	502 02 28-01	HOOK		1	1
9	502 02 30-02	LOCK		1	1,8
10	502 02 38-01	SPRING		1	1,8
11	502 02 29-02	HOOK		1	1,8
12	735 31 09-20	E-CLIP		1	1,8
13	537 17 54-01	HIP PAD		3	1