

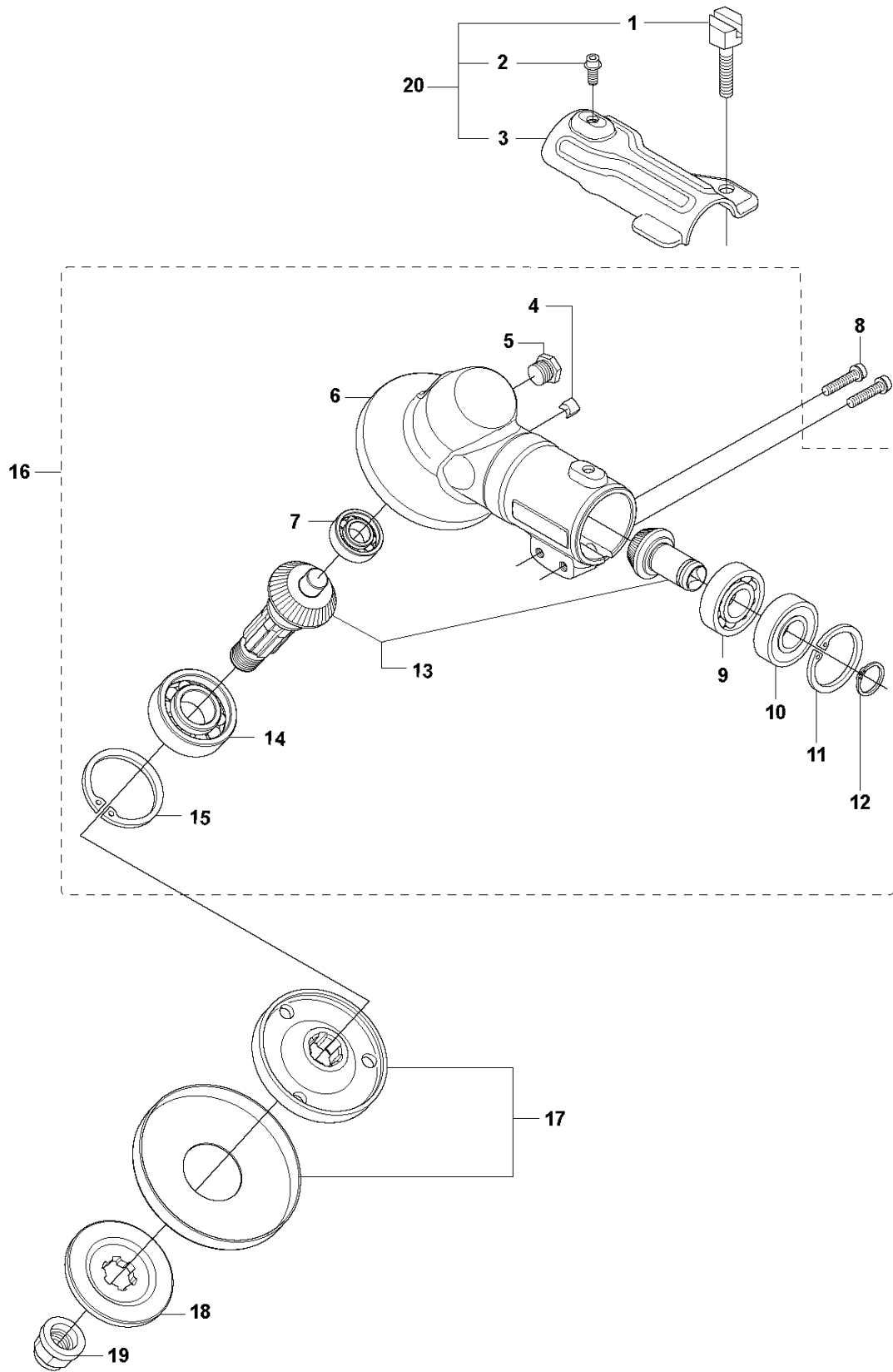


SPARE PARTS LIST

BRUSHCUTTERS/CLEARING SAWS

333 R from 20144900001-Current

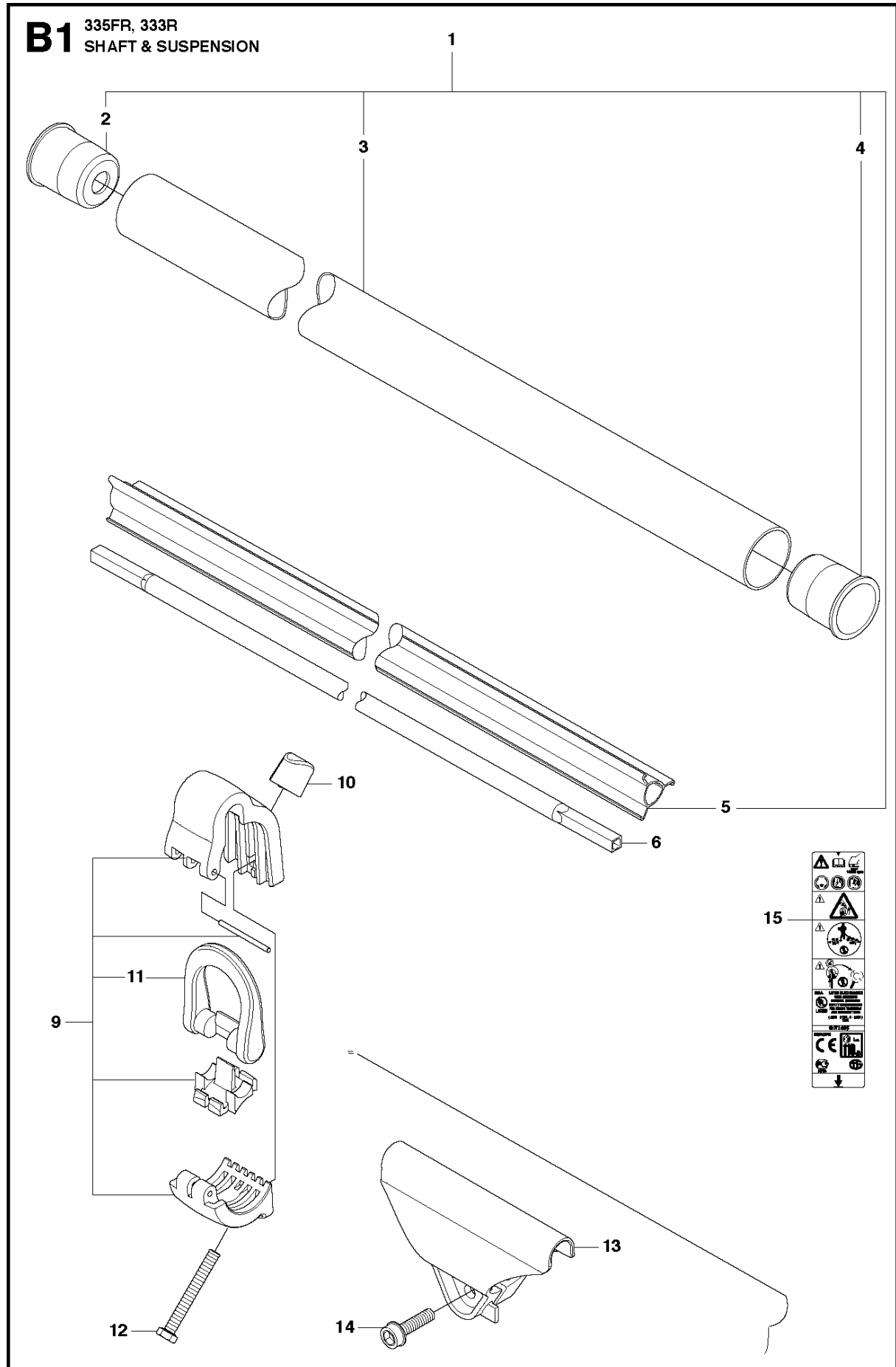
A 333R, 333RJ
335FR, 335LS, 335Lx, 335RJx, 335Rx.
BEVEL GEAR



BEVEL GEAR

333 R from 20144900001-Current

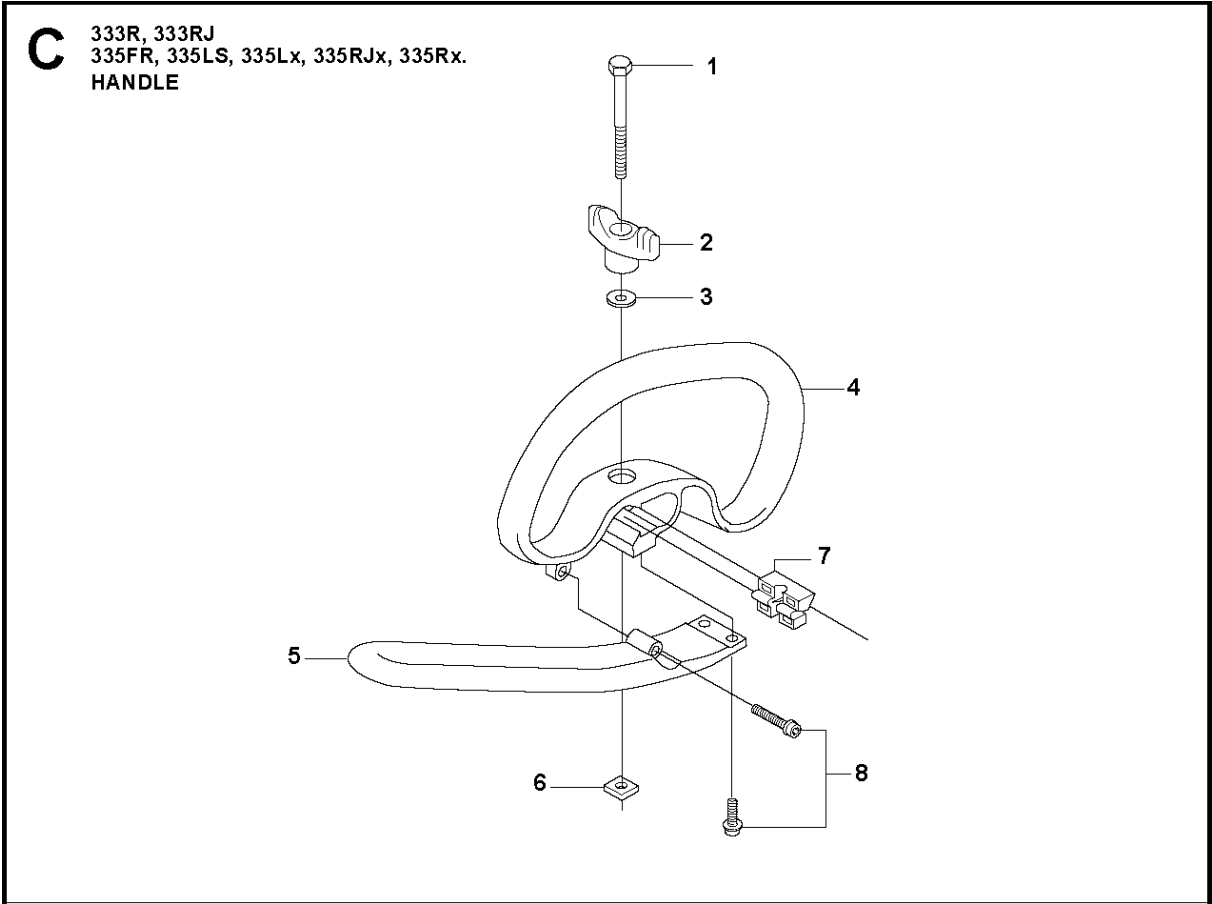
| Ref | Part No | Description | Remark | QTY | KIT |
|-----|--------------|-----------------|--------------------------------|-----|-----|
| 1 | 537 18 95-01 | SCREW | | 1 | 20 |
| 2 | 503 20 02-10 | SCREW IHSCFM | | 1 | 20 |
| 3 | 544 08 76-01 | CLAMP | | 1 | 20 |
| 4 | 537 14 74-01 | MAGNET | | 1 | 16 |
| 5 | 503 20 15-01 | SCREW | | 1 | 16 |
| 6 | 537 29 59-02 | GEAR HOUSING | | 1 | 16 |
| 7 | 738 21 99-00 | BALL BEARING | | 1 | 16 |
| 8 | 503 20 03-25 | SCREW IHSCFM | | 2 | |
| 9 | 738 21 01-10 | BALL BEARING | | 1 | 16 |
| 10 | 738 21 01-12 | BALL BEARING | | 1 | 16 |
| 11 | 735 31 28-10 | CIRCLIP | | 1 | 16 |
| 12 | 735 31 14-00 | CIRCLIP | | 1 | 16 |
| 13 | 505 13 33-01 | SPARE PARTS KIT | 333R, 335Rx, 335Fr | 1 | 16 |
| 13 | 505 13 34-01 | SPARE PARTS KIT | 333RJ, 335RJx, 335Lx, 335LS | 1 | 16 |
| 14 | 503 25 28-01 | BALL BEARING | | 1 | 16 |
| 15 | 735 31 31-10 | CIRCLIP | | 1 | 16 |
| 16 | 544 21 64-01 | GEAR | 333R, 335Rx, 335Fr | 1 | |
| 16 | 537 29 58-02 | BEVEL GEAR | 333RJ, 335RJx, 335Lx, 335LS | 1 | |
| 17 | 537 35 14-01 | DRIVER | "(1")" | 1 | |
| 18 | 537 34 35-01 | SUPPORT FLANGE | | 1 | |
| 19 | 502 29 11-01 | BLADE NUT | | 1 | |
| 20 | 574 30 68-01 | CLAMP | | 1 | |



SHAFT & SUSPENSION

333 R from 20144900001-Current

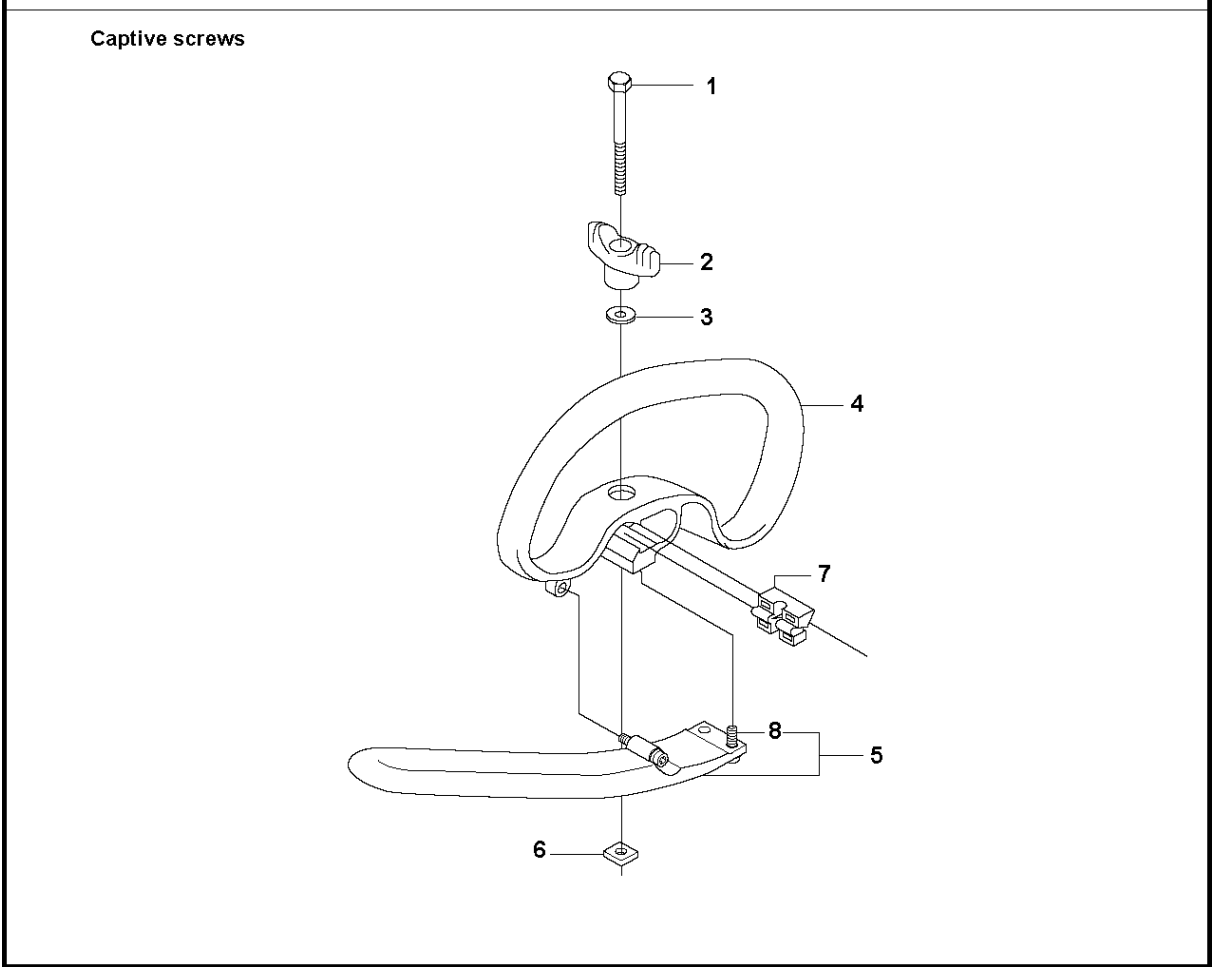
| Ref | Part No | Description | Remark | QTY KIT | |
|-----|--------------|--------------|----------------------|---------|---|
| 1 | 537 21 42-01 | TUBE | 333R, 335Rx, 335FR | 1 | |
| 2 | 537 36 02-02 | SPACER | | 1 | 1 |
| 3 | 537 21 41-01 | TUBE | Ø = 28mm, L = 1483mm | 1 | 1 |
| 4 | 537 36 02-01 | SPACER | | 1 | 1 |
| 5 | 537 31 39-01 | GUIDE | Ø = 9mm, L = 1400mm | 1 | 1 |
| 6 | 537 35 52-01 | DRIVE SHAFT | Ø = 8mm, L = 1527mm | 1 | |
| 9 | 537 34 98-01 | LOOP | | 1 | |
| 10 | 537 13 04-02 | KNOB | | 1 | |
| 11 | 537 35 01-01 | LOOP | | 1 | 9 |
| 12 | 725 23 39-51 | SCREW EHHM | | 1 | |
| 13 | 537 37 61-01 | WIRING | | 1 | |
| 14 | 503 21 75-16 | SCREW IHSCFT | | 1 | |
| 15 | 537 29 48-01 | LABEL | | 1 | |



HANDLE

333 R from 20144900001-Current

| Ref | Part No | Description | Remark | QTY KIT |
|-----|--------------|---------------|---------------|---------|
| 1 | 725 23 78-51 | SCREW EHHM | 33RJ, 335LS | 1 |
| 1 | 725 23 80-51 | SCREW EHHM | 335Lx, 335RJx | 1 |
| 2 | 503 87 90-01 | KNOB | 335Lx, 335RJx | 1 |
| 3 | 503 23 00-61 | WASHER | 33RJ, 335LS | 1 |
| 4 | 544 10 10-02 | HANDLE LOOP | | 1 |
| 5 | 503 99 78-01 | HANDLE | 333RJ, 335RJx | 1 |
| 6 | 502 19 71-01 | SQUARE NUT | | 1 |
| 7 | 544 10 11-01 | BLOCK.SPACING | | 1 |
| 8 | 501 21 68-16 | TBD | | 3 |

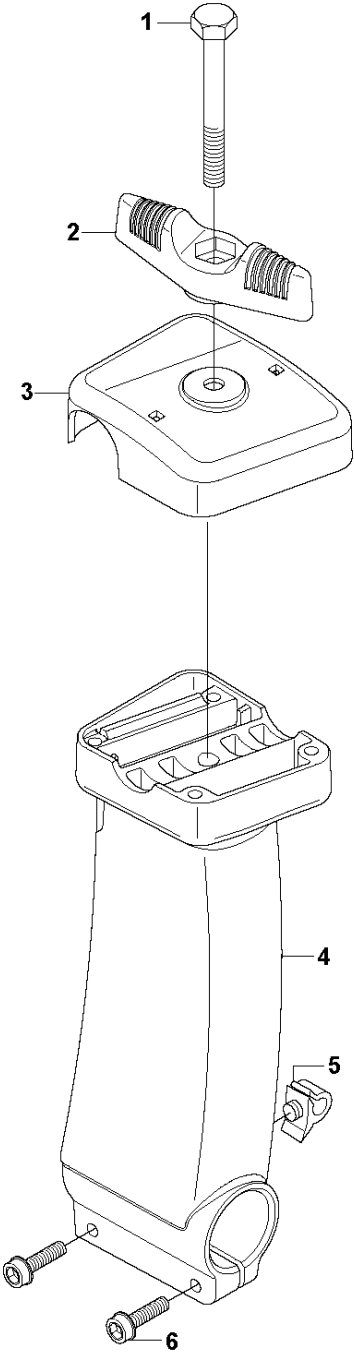


HANDLE

333 R from 20144900001-Current

| Ref | Part No | Description | Remark | QTY | KIT |
|-----|--------------|---------------|----------------|-----|-----|
| 1 | 725 23 78-51 | SCREW EHHM | 33RJ, 335LS | 1 | |
| 1 | 725 23 80-51 | SCREW EHHM | 335Lx, 335RJx | 1 | |
| 2 | 503 87 90-01 | KNOB | 335Lx, 335RJx | 1 | |
| 3 | 503 23 00-61 | WASHER | 33RJ, 335LS | 1 | |
| 4 | 544 10 10-04 | HANDLE.LOOP | Captive screws | 1 | |
| 5 | 503 99 78-01 | HANDLE | Captive screws | 1 | |
| 6 | 502 19 71-01 | SQUARE NUT | | 1 | |
| 7 | 544 10 11-01 | BLOCK.SPACING | | 1 | |
| 8 | 574 18 15-01 | SCREW IHSCFTO | Captive screws | 3 | 5 |

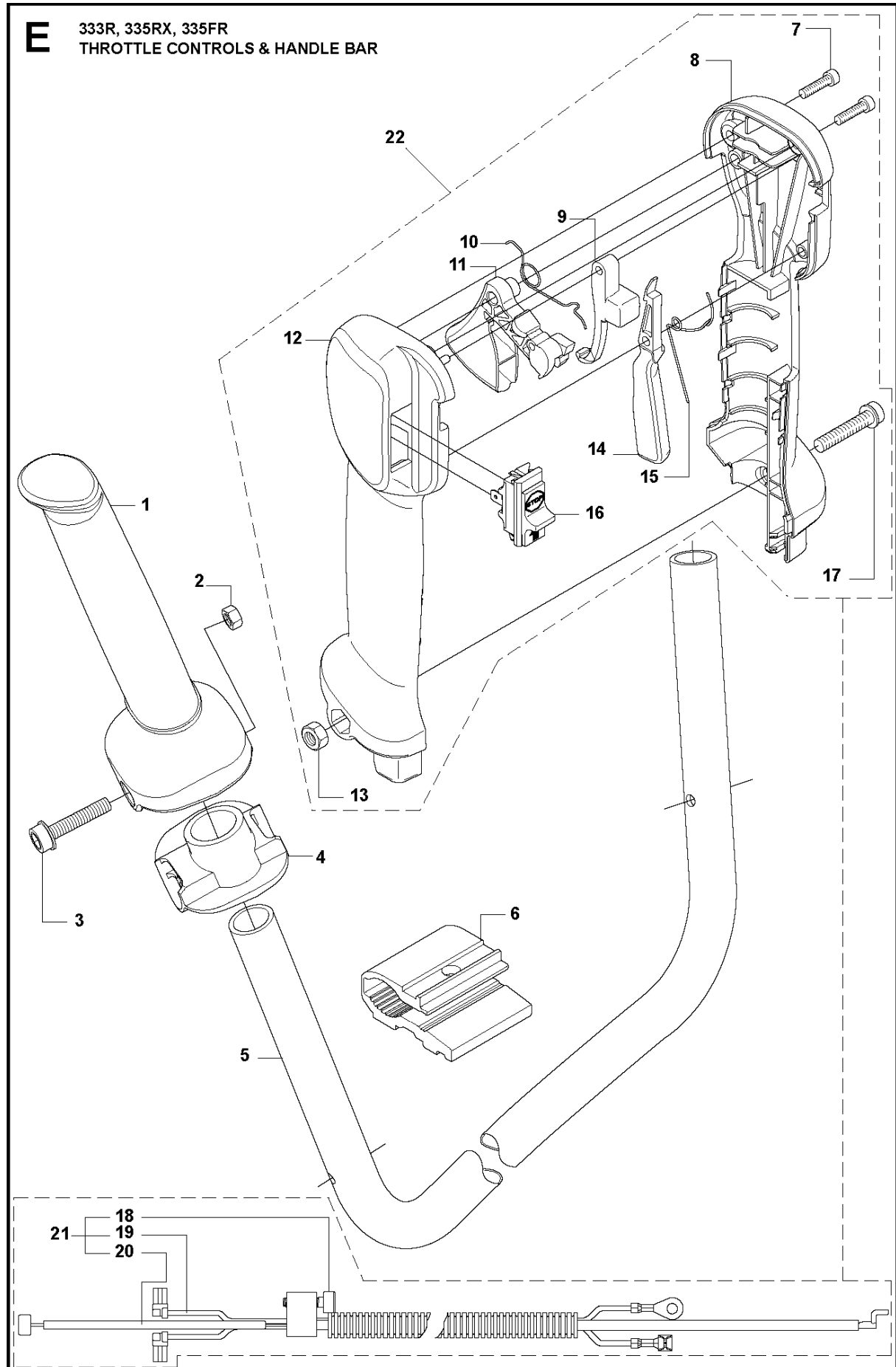
D1 333R
TOWER



TOWER

333 R from 20144900001-Current

| Ref | Part No | Description | Remark | QTY KIT |
|-----|--------------|-------------|--------|---------|
| 1 | 725 23 82-85 | SCREW EHHM | | 1 |
| 2 | 503 87 90-01 | KNOB | | 1 |
| 3 | 537 37 63-01 | COVER | | 1 |
| 4 | 537 40 26-03 | BRACKET | | 1 |
| 5 | 502 28 61-01 | CLIP | | 1 |
| 6 | 725 53 31-65 | SCREW IHSCM | | 2 |

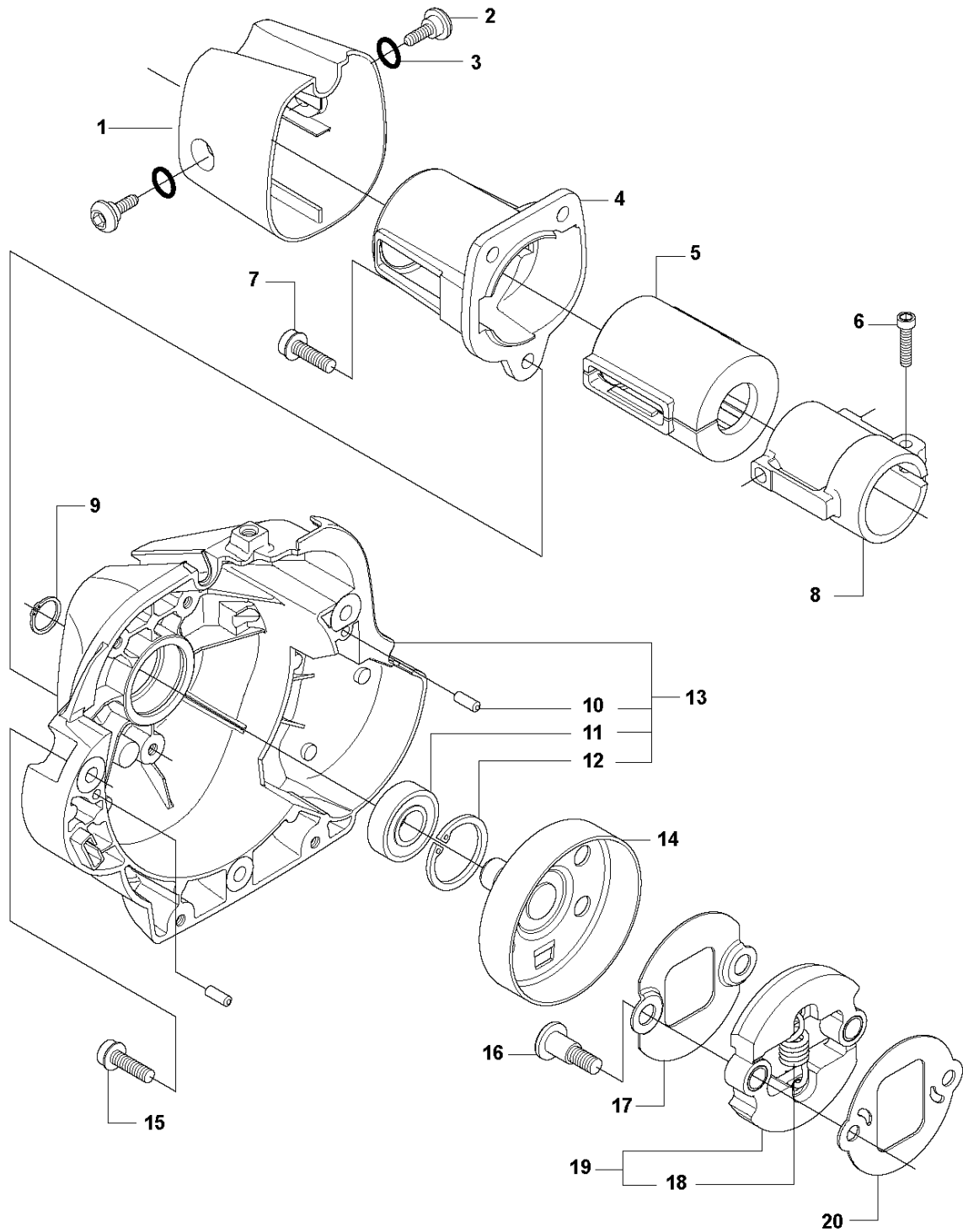


HANDLE & CONTROLS

333 R from 20144900001-Current

| Ref | Part No | Description | Remark | QTY | KIT |
|-----|--------------|----------------------|--------------------|-----|-------|
| 1 | 537 17 28-01 | HANDLE | | 1 | |
| 2 | 731 23 14-01 | HEXAGON NUT | | 1 | |
| 3 | 503 20 02-45 | SCREW IHSCFM | | 1 | |
| 4 | 537 17 29-01 | COVER | | 1 | |
| 5 | 537 36 00-01 | HANDLEBAR | | 1 | |
| 6 | 503 75 00-02 | HANDLEBAR BRACKET | | 1 | |
| 7 | 503 21 66-18 | SCREW IHST | 333R, 335Rx, 335FR | 2 | 22 |
| 8 | 537 16 03-01 | HANDLE HALF | 333R | 1 | 22 |
| 8 | 537 16 03-02 | HANDLE HALF | 335Rx, 335FR | 1 | 22 |
| 9 | 537 16 07-01 | THROTTLE LOCKOUT | 333R, 335Rx, 335FR | 1 | 22 |
| 10 | 537 17 42-01 | SPRING THROTTLE TRIG | 333R, 335Rx, 335FR | 1 | 22 |
| 11 | 506 49 77-01 | THROTTLE CONTROL | | 1 | 14 |
| 12 | 537 16 02-03 | HANDLE HALF | 333R | 1 | 22 |
| 12 | 537 16 02-02 | HANDLE HALF | 335Rx, 335FR | 1 | 22 |
| 13 | 503 22 10-13 | HEXAGON NUT | 333R, 335Rx, 335FR | 1 | 22 |
| 14 | 506 49 77-01 | THROTTLE CONTROL | 333R, 335Rx, 335FR | 1 | 22,11 |
| 15 | 537 17 43-01 | SPRING | 333R, 335Rx, 335FR | 1 | 22 |
| 16 | 537 41 90-01 | SWITCH | 333R, 335Rx, 335FR | 1 | 22 |
| 17 | 503 20 07-35 | SCREW IHSCFM | 333R, 335Rx, 335FR | 1 | 22 |
| 18 | 503 21 66-18 | SCREW IHST | 333R, 335Rx, 335FR | 1 | 21 |
| 19 | 503 87 85-07 | SHORT CIRCUIT CABLE | 333R, 335Rx, 335FR | 1 | 21 |
| 20 | 537 37 78-01 | THROTTLE CABLE ASSY | 333R, 335Rx, 335FR | 1 | 21 |
| 21 | 537 35 96-02 | WIRING ASSY | 333R, 335Rx, 335FR | 1 | 22 |
| 22 | 537 42 45-13 | HANDLE ASSY | | 1 | |

G 333R, 333RJ
335FR, 335LS, 335Lx, 335RJx, 335Rx.
CLUTCH & CLUTCH COVER

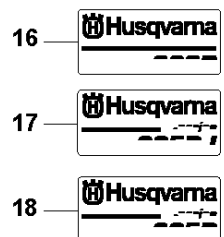
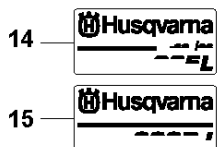
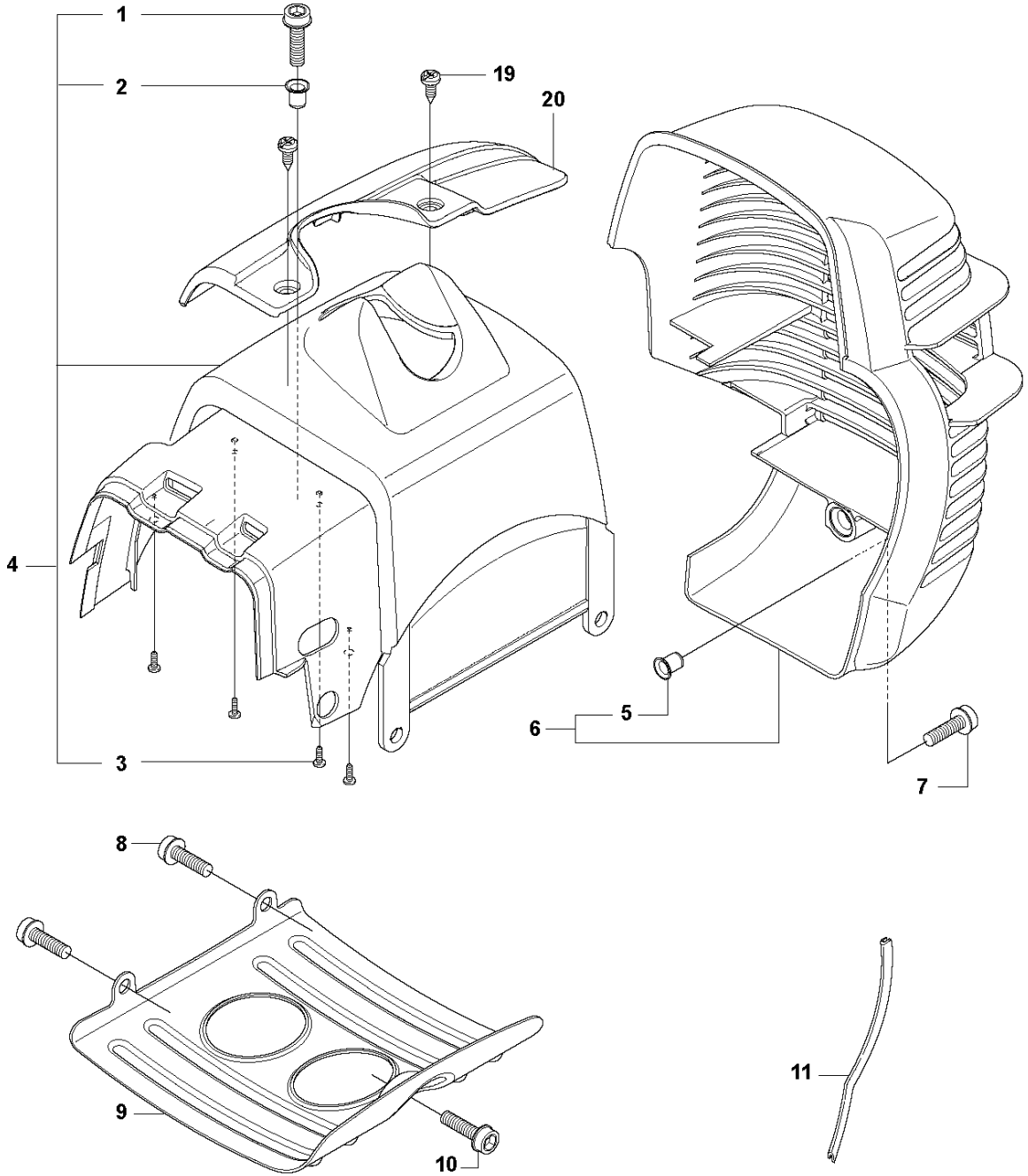


CLUTCH

333 R from 20144900001-Current

| Ref | Part No | Description | Remark | QTY | KIT |
|-----|--------------|-----------------------|--------------------------------|-----|-----|
| 1 | 544 11 97-01 | COVER | 333RJ, 335RJx, 335Lx, 335LS | 1 | |
| 1 | 537 32 61-01 | COVER | 333R, 335Rx, 335FR | 1 | |
| 2 | 503 96 13-01 | SCREW | | 2 | |
| 3 | 740 42 06-00 | O-RING | | 2 | |
| 4 | 537 31 00-01 | COVER | | 1 | |
| 5 | 537 32 27-01 | ANTIVIBRATION ELEMENT | | 1 | |
| 6 | 725 53 33-55 | SCREW IHSCM | | 1 | |
| 7 | 503 20 03-20 | SCREW IHSCFM | | 3 | |
| 8 | 537 31 01-01 | COMPRESSION SLEEVE | 333R, 335Rx, 335FR | 1 | |
| 8 | 537 31 01-02 | COMPRESSION SLEEVE | 333RJ, 335RJx, 335Lx, 335LS | 1 | |
| 9 | 735 31 14-00 | CIRCLIP | | 1 | |
| 10 | 503 24 07-02 | PARALLEL PIN | | 2 | 13 |
| 11 | 738 21 01-04 | BALL BEARING | | 1 | 13 |
| 12 | 735 31 28-10 | CIRCLIP | | 1 | 13 |
| 13 | 537 30 29-01 | CLUTCH COVER | | 1 | |
| 14 | 537 35 29-01 | CLUTCH DRUM | | 1 | |
| 15 | 503 20 03-20 | SCREW IHSCFM | | 3 | |
| 16 | 537 41 81-01 | SCREW | | 2 | |
| 17 | 537 41 57-01 | WASHER | | 1 | |
| 18 | 537 42 72-01 | SPRING | | 1 | 19 |
| 19 | 537 34 04-01 | CLUTCH | | 1 | |
| 20 | 537 04 68-01 | WASHER | | 1 | |

H1 333R, 333RJ
335FR, 335LS, 335Lx, 335RJx, 335Rx.
COVERS

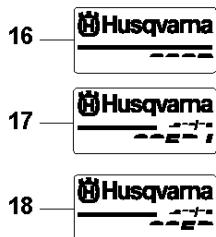
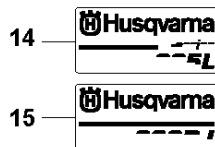
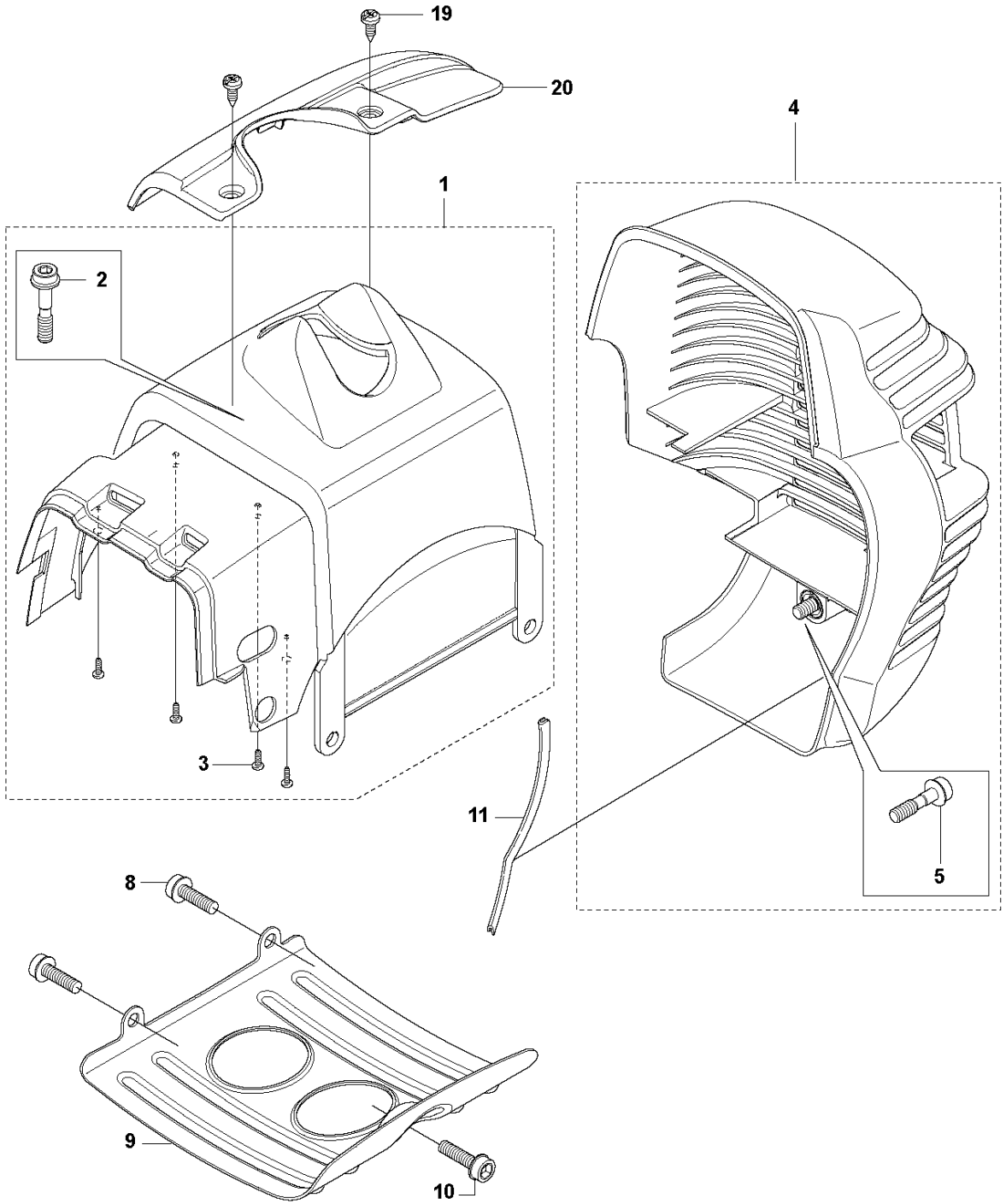


COVER

333 R from 20144900001-Current

| Ref | Part No | Description | Remark | QTY | KIT |
|-----|--------------|------------------|---------------|-----|-----|
| 1 | 503 20 03-20 | SCREW IHSCFM | | 1 | 4 |
| 2 | 537 37 38-02 | TUBULAR RIVET | | 1 | 4 |
| 3 | 503 21 29-10 | SCREW CCRPANT | | 4 | 4 |
| 4 | 544 16 01-01 | CYLINDER COVER | | 1 | |
| 5 | 537 37 38-03 | TUBULAR RIVET | | 1 | 6 |
| 6 | 537 42 51-01 | HEAT PROTECTOR | | 1 | |
| 7 | 503 20 03-20 | SCREW IHSCFM | | 1 | |
| 8 | 503 21 75-16 | SCREW IHSCFT | | 2 | |
| 9 | 537 35 72-01 | PROTECTIVE PLATE | | 1 | |
| 10 | 503 21 75-16 | SCREW IHSCFT | | 1 | |
| 11 | 544 02 98-01 | BAR | | 1 | |
| 12 | 537 39 52-08 | LABEL | 335LS | 1 | |
| 13 | 537 39 52-09 | LABEL | 335FR | 1 | |
| 14 | 537 39 52-02 | LABEL | 335Lx | 1 | |
| 15 | 537 39 52-03 | LABEL | 333RJ | 1 | |
| 16 | 537 39 52-04 | LABEL | 333R | 1 | |
| 17 | 537 39 52-05 | LABEL | 335RJx | 1 | |
| 18 | 537 39 52-06 | LABEL | 335Rx | 1 | |
| 19 | 503 21 35-02 | SCREW | 335LS, 335RJX | 2 | |
| 20 | 502 43 39-01 | ARM PROTECTION | | 1 | |

H2 333R, 333RJ
335FR, 335LS, 335Lx, 335RJx, 335Rx.
COVERS

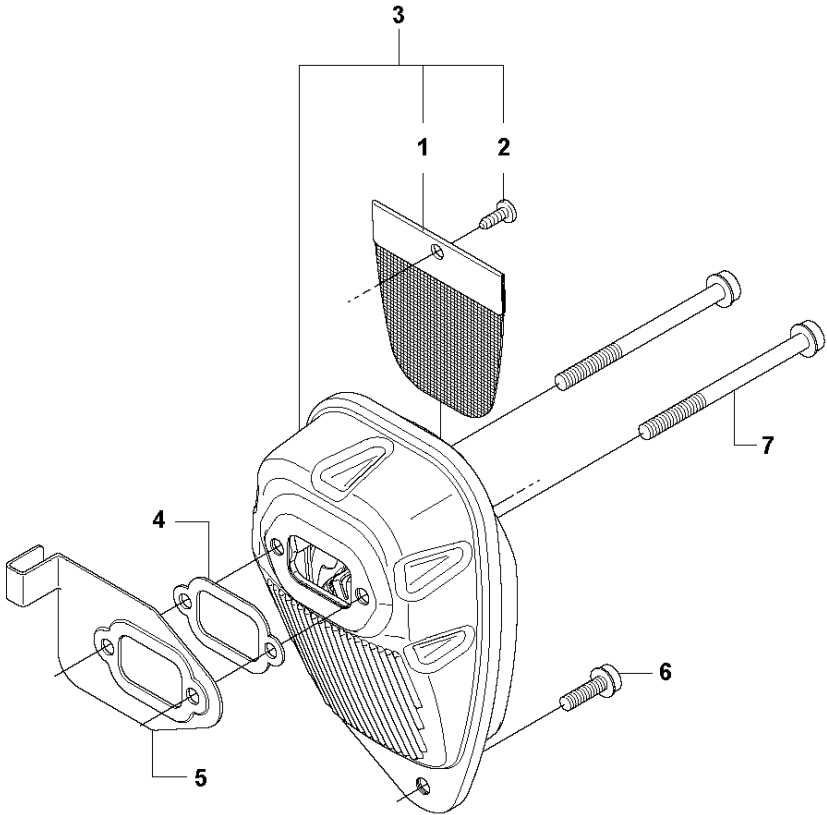


COVER

333 R from 20144900001-Current

| Ref | Part No | Description | Remark | QTY | KIT |
|-----|--------------|------------------|----------------|-----|-----|
| 1 | 544 16 01-02 | CYLINDER COVER | Captive screws | 1 | |
| 2 | 573 99 43-04 | SCREW IHSCFMO | Captive screws | 1 | 1 |
| 3 | 503 21 29-10 | SCREW CCRPANT | | 4 | 1 |
| 4 | 537 42 51-02 | HEAT PROTECTOR | Captive screws | 1 | |
| 5 | 574 47 70-03 | SCREW IHSCFMO | Captive screws | 1 | 4 |
| 8 | 503 21 75-16 | SCREW IHSCFT | | 2 | |
| 9 | 537 35 72-01 | PROTECTIVE PLATE | | 1 | |
| 10 | 503 21 75-16 | SCREW IHSCFT | | 1 | |
| 11 | 544 02 98-01 | BAR | | 1 | |
| 12 | 537 39 52-08 | LABEL | 335LS | 1 | |
| 13 | 537 39 52-09 | LABEL | 335FR | 1 | |
| 14 | 537 39 52-02 | LABEL | 335Lx | 1 | |
| 15 | 537 39 52-03 | LABEL | 333RJ | 1 | |
| 16 | 537 39 52-04 | LABEL | 333R | 1 | |
| 17 | 537 39 52-05 | LABEL | 335RJx | 1 | |
| 18 | 537 39 52-06 | LABEL | 335Rx | 1 | |
| 19 | 503 21 35-02 | SCREW | 335Rx | 2 | |
| 20 | 502 43 39-01 | ARM PROTECTION | 335Rx | 1 | |

J 333R, 333RJ
335FR, 335LS, 335Lx, 335RJx, 335Rx.
MUFFLER

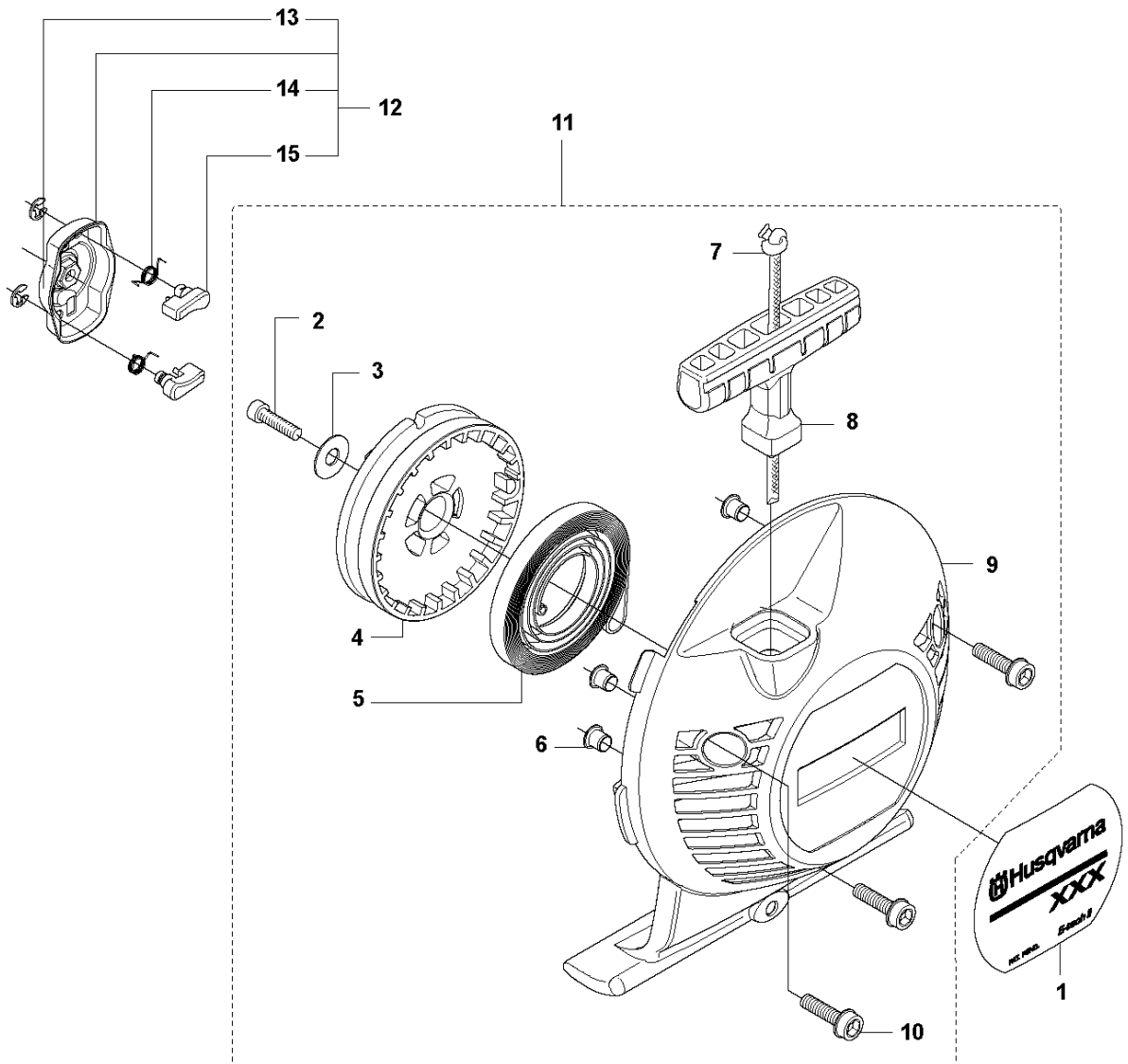


MUFFLER

333 R from 20144900001-Current

| Ref | Part No | Description | Remark | QTY | KIT |
|-----|--------------|-----------------------|--------------------------------|-----|-----|
| 1 | 537 32 47-01 | SPARK ARRESTER SCREEN | | 1 | 3 |
| 2 | 724 12 87-59 | SCREW CRPANM | | 1 | 3 |
| 3 | 544 11 67-01 | MUFFLER ASSY | 335Rx, 335RJx, 335Lx, 335LS | 1 | |
| 3 | 544 11 67-02 | MUFFLER ASSY | 333RJ, 333R | 1 | |
| 4 | 537 33 31-01 | GASKET | | 1 | |
| 5 | 537 34 08-01 | AIR CONDUCTOR | | 1 | |
| 6 | 503 20 03-20 | SCREW IHSCFM | | 1 | |
| 7 | 503 20 29-63 | SCREW IHSCFM | | 2 | |

K1 333R, 333RJ
335FR, 335LS, 335Lx, 335RJx, 335Rx.
STARTER

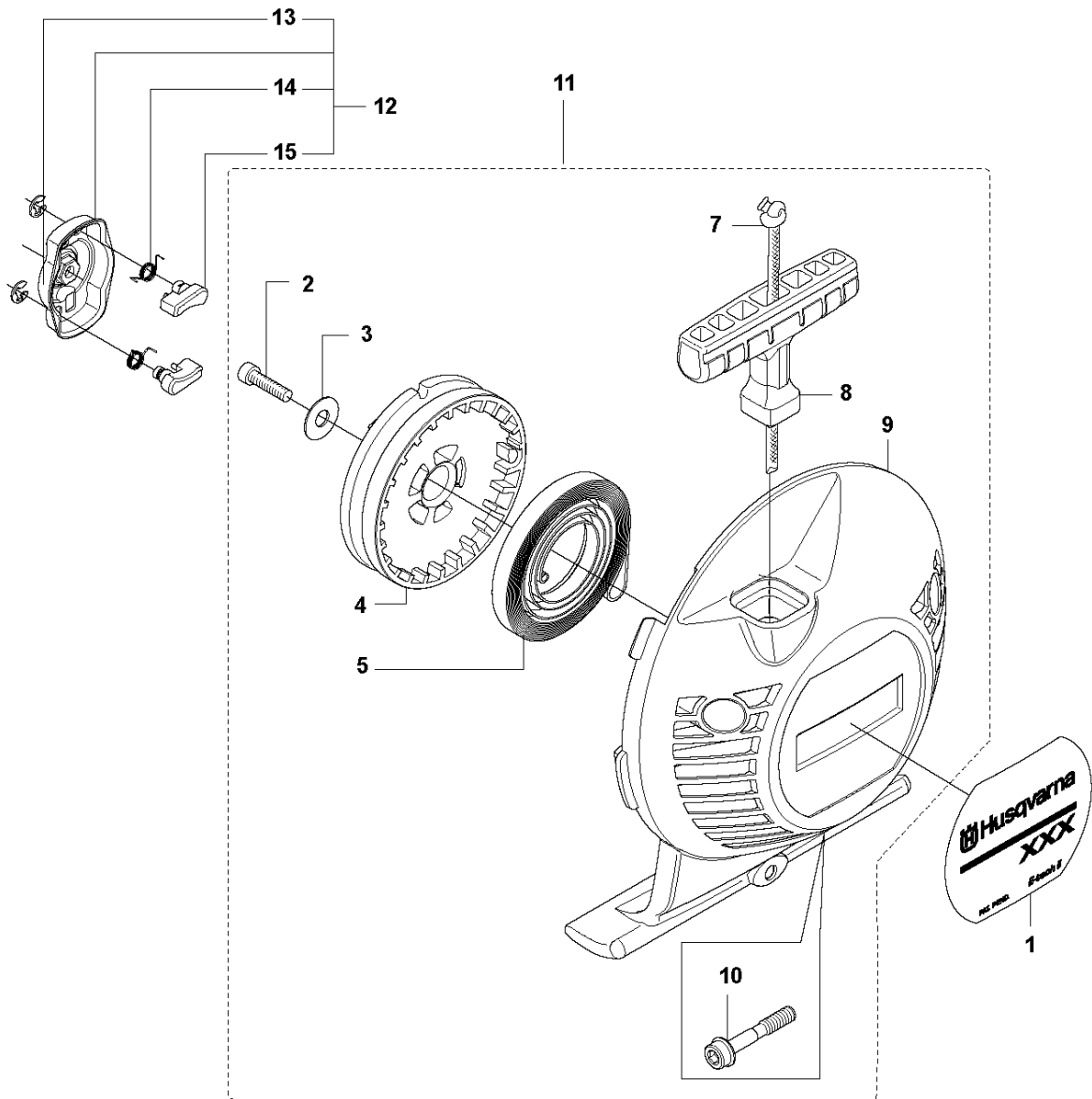


STARTER

333 R from 20144900001-Current

| Ref | Part No | Description | Remark | QTY KIT | |
|-----|--------------|----------------|--------|---------|----|
| 1 | 537 32 24-05 | LABEL | 333R | 1 | |
| 1 | 537 32 24-06 | LABEL | 335Rx | 1 | |
| 1 | 537 32 24-09 | LABEL | 335FR | 1 | |
| 1 | 537 32 24-08 | LABEL | 335LS | 1 | |
| 2 | 503 21 79-20 | SCREW IH SCT | | 1 | 11 |
| 3 | 535 07 23-01 | WASHER | | 1 | 11 |
| 4 | 537 32 50-02 | STARTER PULLEY | | 1 | 11 |
| 5 | 503 85 99-01 | RECOIL SPRING | | 1 | 11 |
| 6 | 537 37 38-02 | TUBULAR RIVET | | 3 | 11 |
| 7 | 505 30 51-25 | STARTER CORD | | 1 | 11 |
| 8 | 503 54 39-01 | STARTER HANDLE | | 1 | 11 |
| 9 | 544 27 93-01 | STARTER | | 1 | 11 |
| 10 | 503 20 03-20 | SCREW IH SCFM | | 3 | 11 |
| 11 | 537 21 47-03 | STARTER ASSY | | 1 | |
| 12 | 503 87 33-05 | STARTER PAWL | | 1 | |
| 13 | 735 31 08-20 | E-CLIP | | 2 | 12 |
| 14 | 503 87 36-01 | SPRING | | 1 | 12 |
| 15 | 503 87 35-02 | STARTER PAWL | | 2 | 12 |

K2 333R, 333RJ
335FR, 335LS, 335Lx, 335RJx, 335Rx.
STARTER

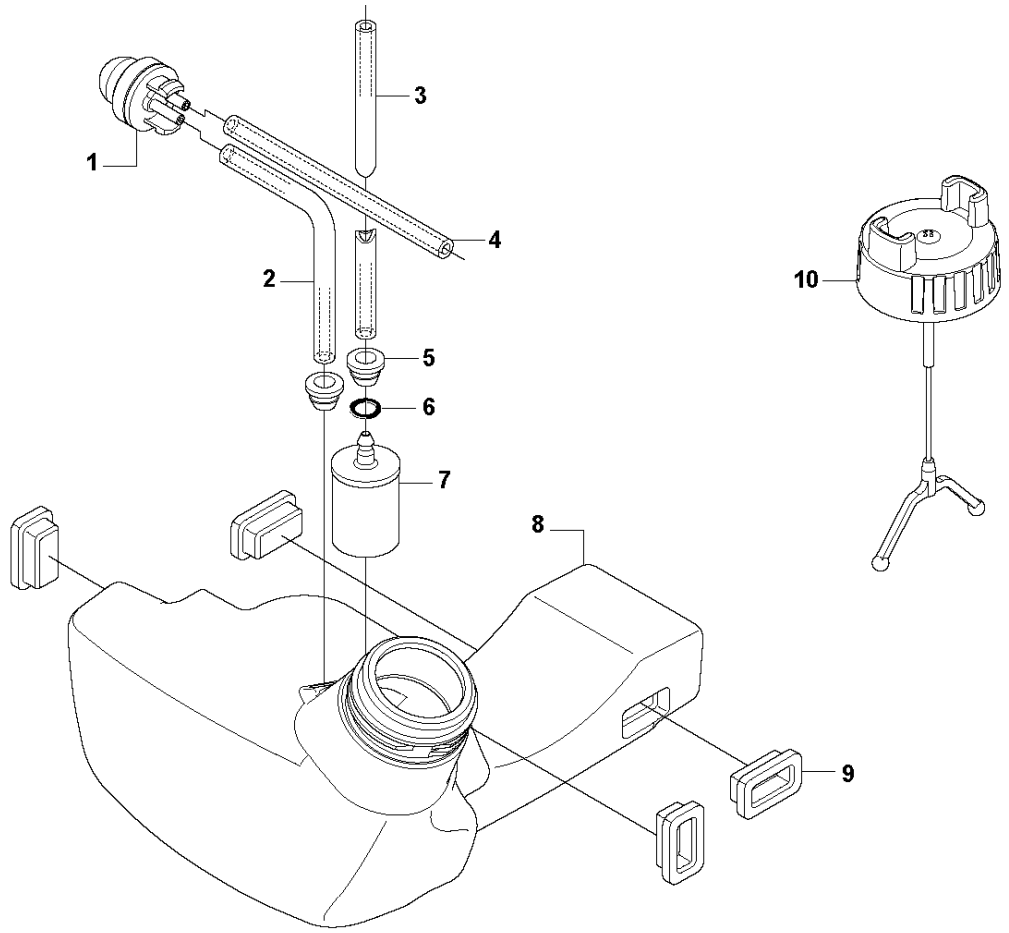


STARTER

333 R from 20144900001-Current

| Ref | Part No | Description | Remark | QTY KIT | |
|-----|--------------|----------------|------------------------------------|---------|-------|
| 1 | 537 32 24-05 | LABEL | 333R | 1 | |
| 1 | 537 32 24-06 | LABEL | 335Rx | 1 | |
| 1 | 537 32 24-09 | LABEL | 335FR | 1 | |
| 1 | 537 32 24-08 | LABEL | 335LS | 1 | |
| 2 | 503 21 79-20 | SCREW IH SCT | | 1 | 11 |
| 3 | 535 07 23-01 | WASHER | | 1 | 11 |
| 4 | 537 32 50-02 | STARTER PULLEY | | 1 | 11 |
| 5 | 503 85 99-01 | RECOIL SPRING | | 1 | 11 |
| 7 | 505 30 51-25 | STARTER CORD | | 1 | 11 |
| 8 | 503 54 39-01 | STARTER HANDLE | | 1 | 11 |
| 9 | 544 10 25-02 | STARTER | Spare part incl. Screws Pos. 10 | 1 | 11 |
| 10 | 573 99 43-05 | SCREW IH SCFMO | Captive screws | 3 | 9, 11 |
| 11 | 537 21 47-07 | STARTER ASSY | | 1 | |
| 12 | 503 87 33-05 | STARTER PAWL | | 1 | |
| 13 | 735 31 08-20 | E-CLIP | | 2 | 12 |
| 14 | 503 87 36-01 | SPRING | | 1 | 12 |
| 15 | 503 87 35-02 | STARTER PAWL | | 2 | 12 |

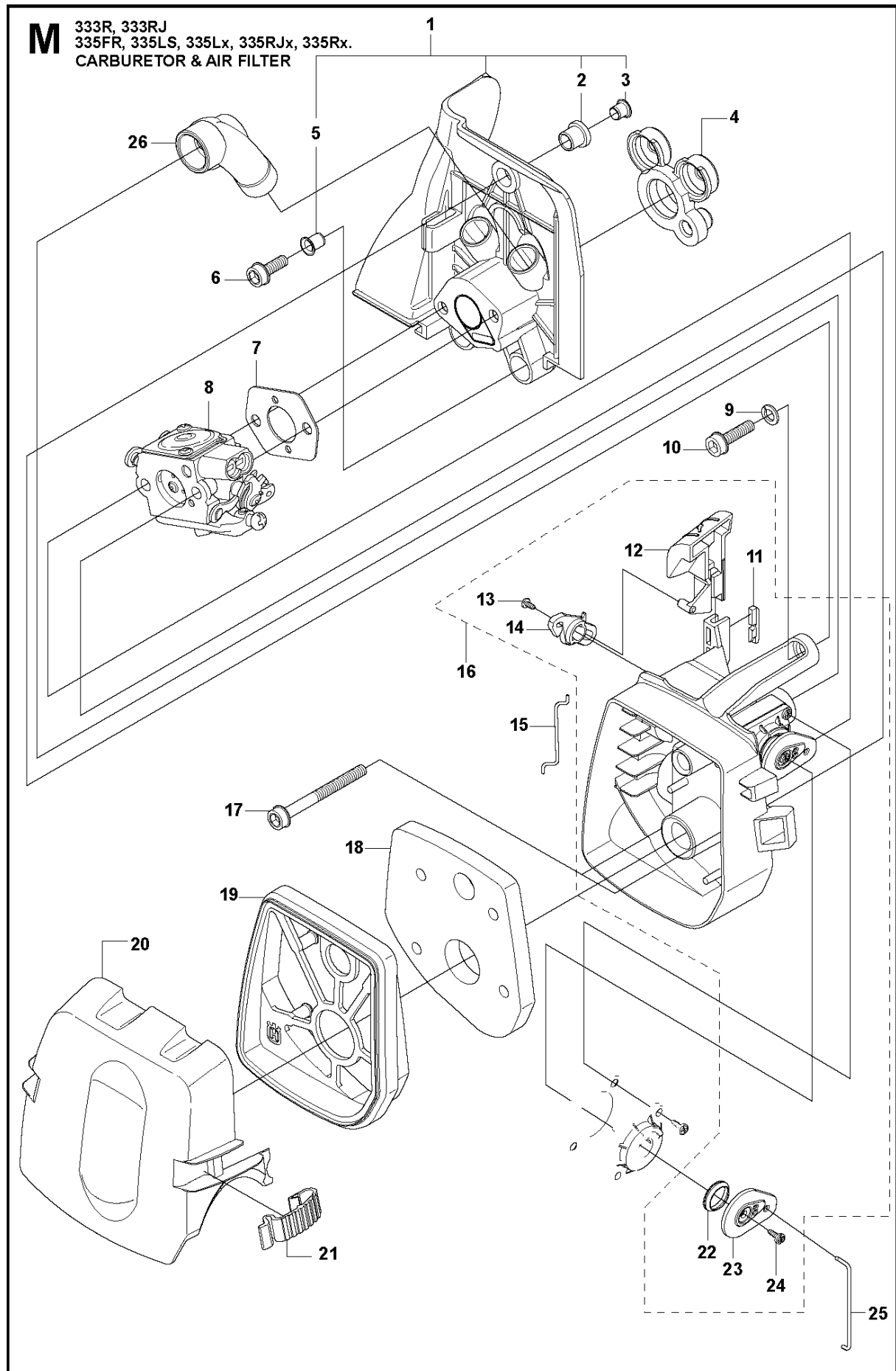
L 333R, 333RJ
335FR, 335LS, 335Lx, 335RJx, 335Rx.
FUEL TANK



FUEL TANK

333 R from 20144900001-Current

| Ref | Part No | Description | Remark | QTY KIT |
|-----|--------------|-------------|--------|---------|
| 1 | 503 93 66-01 | PURGE | | 1 |
| 2 | 537 04 24-12 | FUEL HOSE | | 1 |
| 3 | 537 05 23-01 | FUEL HOSE | | 1 |
| 4 | 537 04 24-12 | FUEL HOSE | | 1 |
| 5 | 503 73 58-01 | BUSHING | | 2 |
| 6 | 537 18 49-01 | O-RING | | 1 |
| 7 | 503 44 32-01 | FUEL FILTER | | 1 |
| 8 | 544 32 88-01 | TANK ASSY | | 1 |
| 9 | 503 91 10-01 | SUSPENSION | | 4 |
| 10 | 503 91 18-02 | TANK CAP | | 1 |

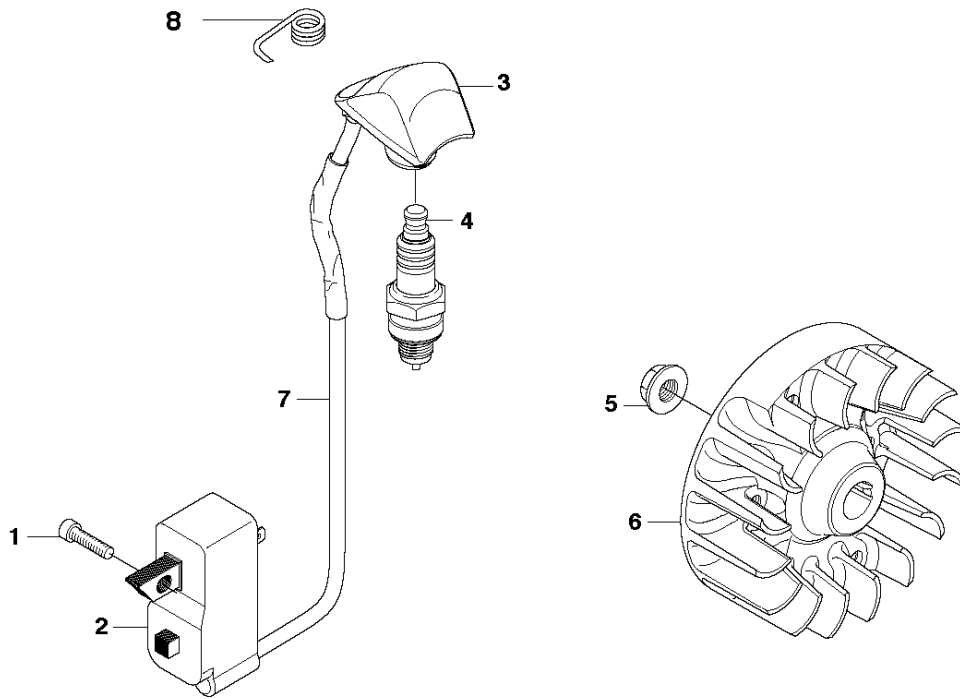


CARBURETOR & AIR FILTER

333 R from 20144900001-Current

| Ref | Part No | Description | Remark | QTY | KIT |
|-----|--------------|------------------|--------|-----|-----|
| 1 | 537 37 12-01 | INSULATION WALL | | 1 | |
| 2 | 537 37 11-01 | SLEEVE | | 1 | 1 |
| 3 | 544 01 91-01 | TUBULAR RIVET | | 1 | 1 |
| 4 | 537 33 43-01 | INLET PIPE | | 1 | |
| 5 | 537 37 38-03 | TUBULAR RIVET | | 2 | 1 |
| 6 | 503 20 03-16 | SCREW IHSCFM | | 2 | |
| 7 | 503 49 71-01 | GASKET | | 1 | |
| 8 | 581 16 75-01 | CARBURETTOR | | 1 | |
| 9 | 503 23 10-06 | WASHER | | 1 | |
| 10 | 503 20 03-20 | SCREW IHSCFM | | 1 | |
| 11 | 544 02 58-01 | BAR | | 1 | 16 |
| 12 | 537 33 71-01 | CHOKE CONTROL | | 1 | 16 |
| 13 | 503 21 29-06 | SCREW CCRPANT | | 1 | 16 |
| 14 | 537 35 58-01 | LEVER | | 1 | 16 |
| 15 | 544 37 27-01 | SLEEVING BRACKET | | 1 | |
| 16 | 537 31 41-01 | FILTER HOLDER | | 1 | |
| 17 | 503 21 75-50 | SCREW IHSCFT | | 2 | |
| 18 | 537 33 72-01 | FILTER | | 1 | |
| 19 | 537 31 42-01 | FRAME | | 1 | |
| 20 | 537 31 44-01 | FILTER COVER | | 1 | |
| 21 | 537 38 72-01 | SNAP LOCKING | | 2 | |
| 22 | 544 01 47-01 | BELLOWS | | 1 | 16 |
| 23 | 544 01 46-01 | LEVER | | 1 | 16 |
| 24 | 503 21 29-06 | SCREW CCRPANT | | 1 | 16 |
| 25 | 537 34 90-01 | LEVER | | 1 | |
| 26 | 537 34 13-01 | AIR DUCT | | 1 | |

N 333R, 333RJ
335FR, 335LS, 335Lx, 335RJx, 335Rx.
IGNITION

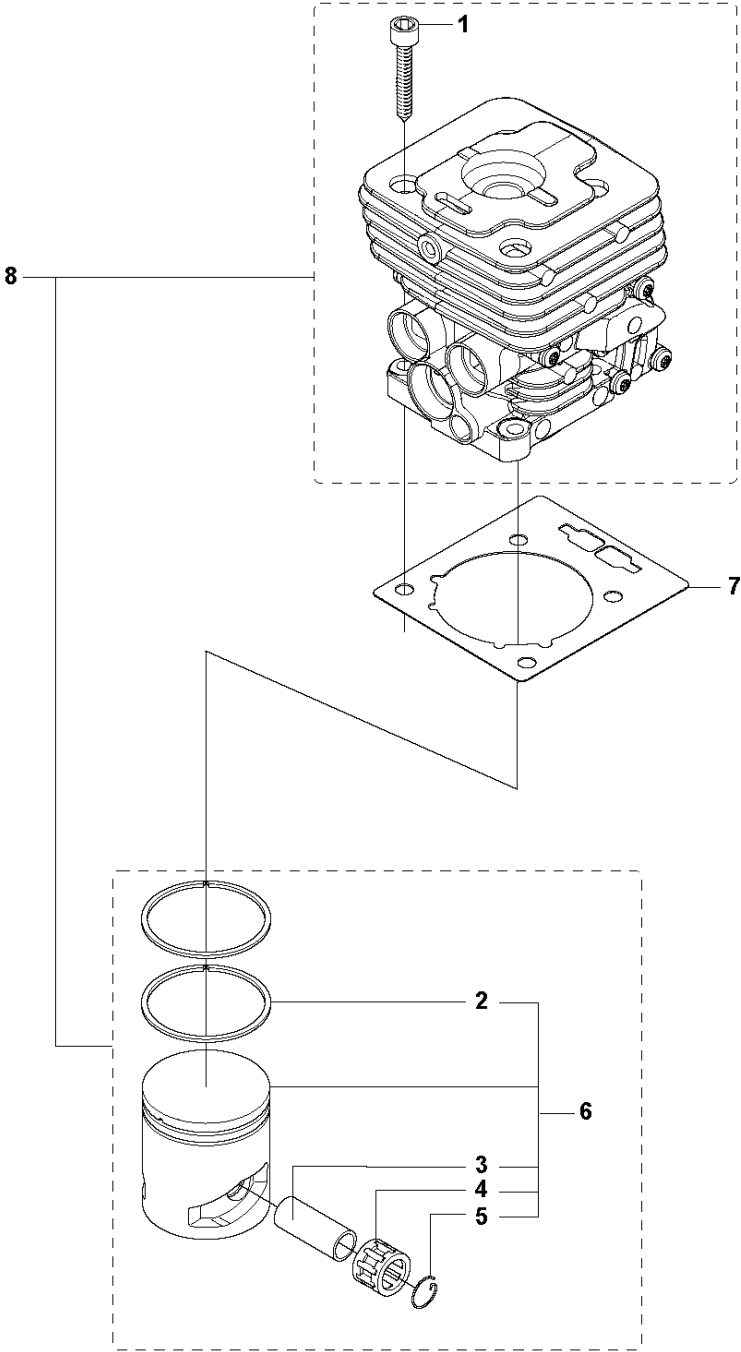


IGNITION SYSTEM

333 R from 20144900001-Current

| Ref | Part No | Description | Remark | QTY | KIT |
|-----|--------------|--------------------|--------------------|-----|-----|
| 1 | 503 21 66-18 | SCREW IHSCT | | 2 | |
| 2 | 544 12 70-01 | IGNITION MODULE | CPL | 1 | |
| 3 | 537 43 43-01 | SPARK PLUG CAP | | 1 | 2 |
| 4 | 503 23 51-09 | SPARK PLUG | CH RCJ6Y (Ø=14 mm) | 1 | |
| 5 | 731 71 16-51 | HEXAGON NUT FLANGE | | 1 | |
| 6 | 537 24 96-01 | FLYWHEEL | | 1 | |
| 7 | 501 53 16-01 | CABLE | CABLE ONLY | 2 | 2 |
| 8 | 537 23 93-01 | CONTACT SPRING | | 1 | 2 |

P 333R, 333RJ
335FR, 335LS, 335Lx, 335RJx, 335Rx.
CYLINDER PISTON

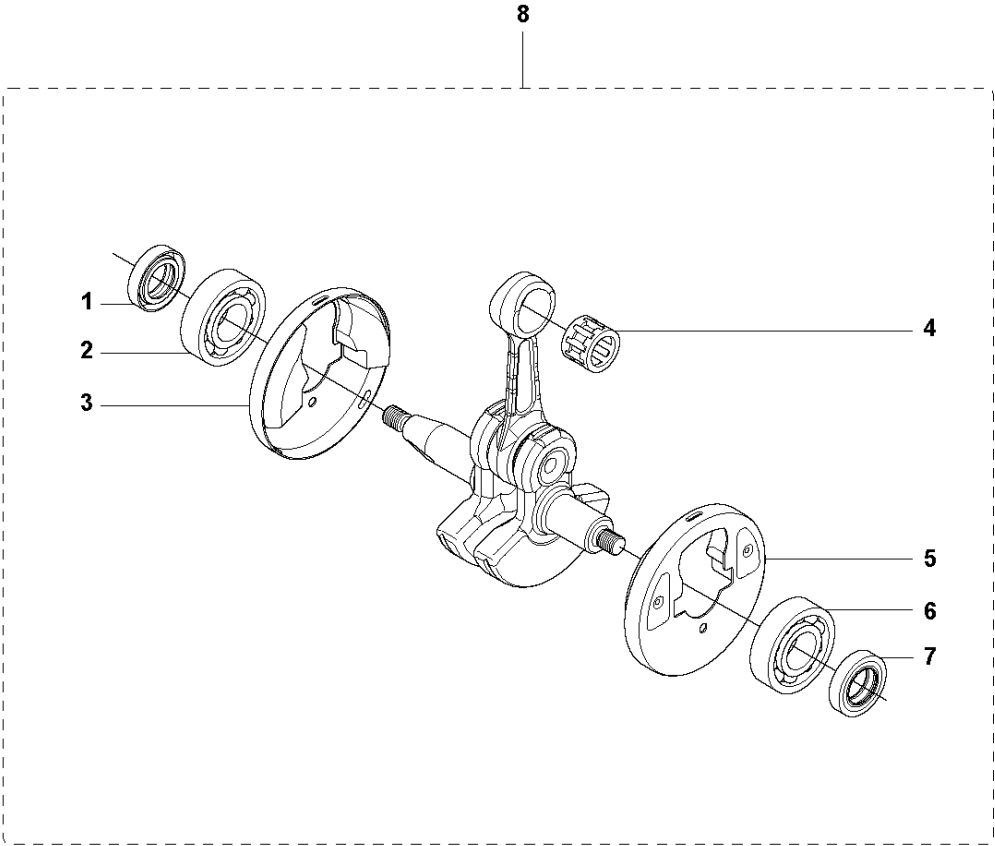


CYLINDER PISTON

333 R from 20144900001-Current

| Ref | Part No | Description | Remark | QTY | KIT |
|-----|--------------|----------------|------------------------|-----|-----|
| 1 | 503 20 08-23 | SCREW IHSCM | | 4 | 8 |
| 2 | 503 28 90-54 | PISTON RING | | 2 | 6,8 |
| 3 | 503 28 91-19 | PISTON PIN | | 1 | 6,8 |
| 4 | 503 41 41-01 | NEEDLE BEARING | | 1 | 6,8 |
| 5 | 737 44 10-00 | SNAP RING | | 2 | 6,8 |
| 6 | 585 99 83-02 | PISTON ASSY | | 1 | 8 |
| 7 | 537 33 30-01 | GASKET | | 1 | |
| 8 | 544 40 06-01 | CYLINDER ASSY | Ø = 38mm. 574 36 43-01 | 1 | |

Q 333R, 333RJ
335FR, 335LS, 335Lx, 335RJx, 335Rx.
CRANK SHAFT

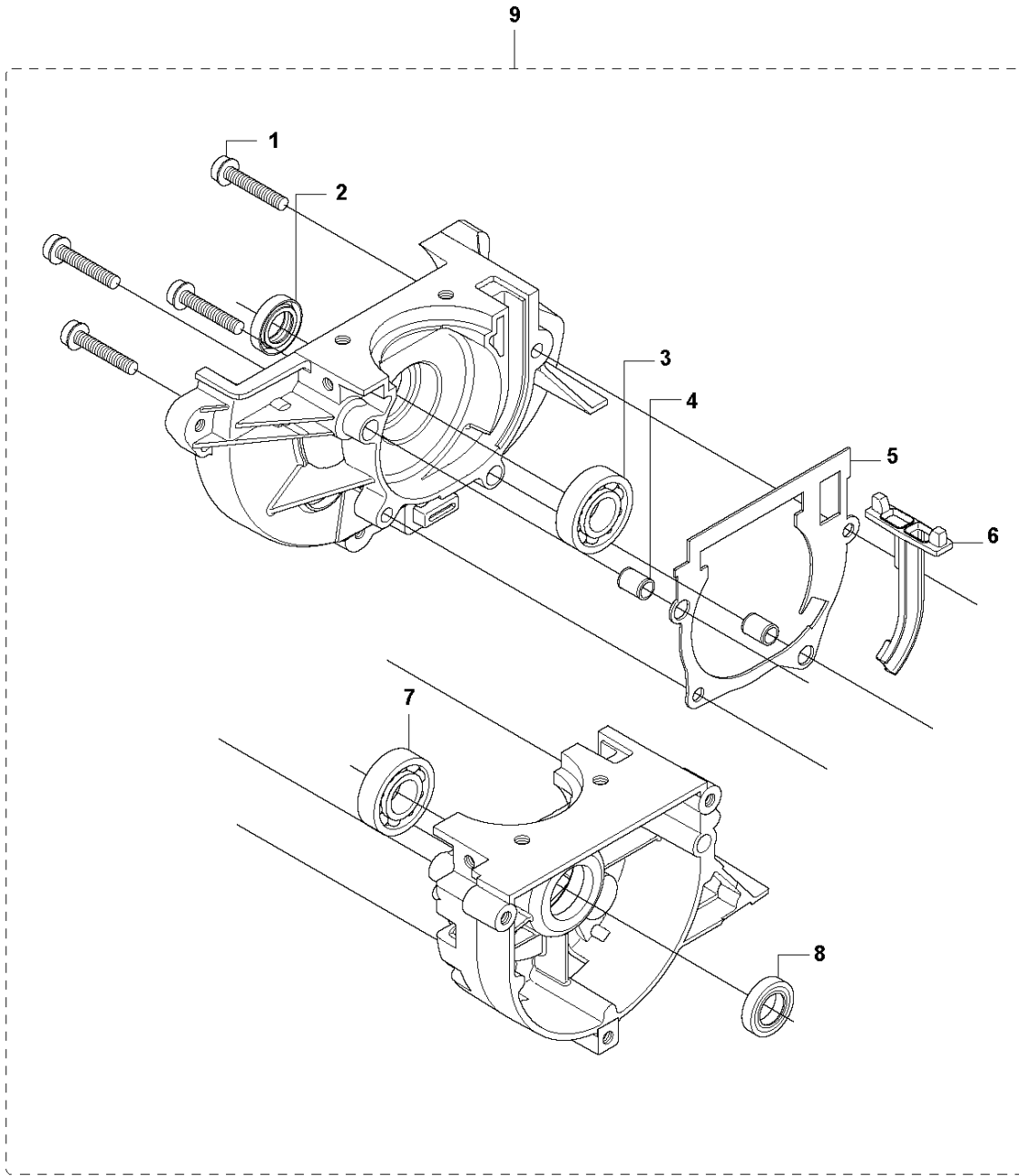


CRANKSHAFT

333 R from 20144900001-Current

| Ref | Part No | Description | Remark | QTY | KIT |
|-----|--------------|-----------------|--------|-----|-----|
| 1 | 503 26 02-02 | SEALING RING | | 1 | 8 |
| 2 | 738 21 01-10 | BALL BEARING | | 1 | 8 |
| 3 | 537 29 76-01 | CUP | | 1 | 8 |
| 4 | 503 41 41-01 | NEEDLE BEARING | | 1 | 8 |
| 5 | 537 29 76-01 | CUP | | 1 | 8 |
| 6 | 738 21 01-10 | BALL BEARING | | 1 | 8 |
| 7 | 503 26 02-02 | SEALING RING | | 1 | 8 |
| 8 | 544 03 90-01 | CRANKSHAFT ASSY | | 1 | |

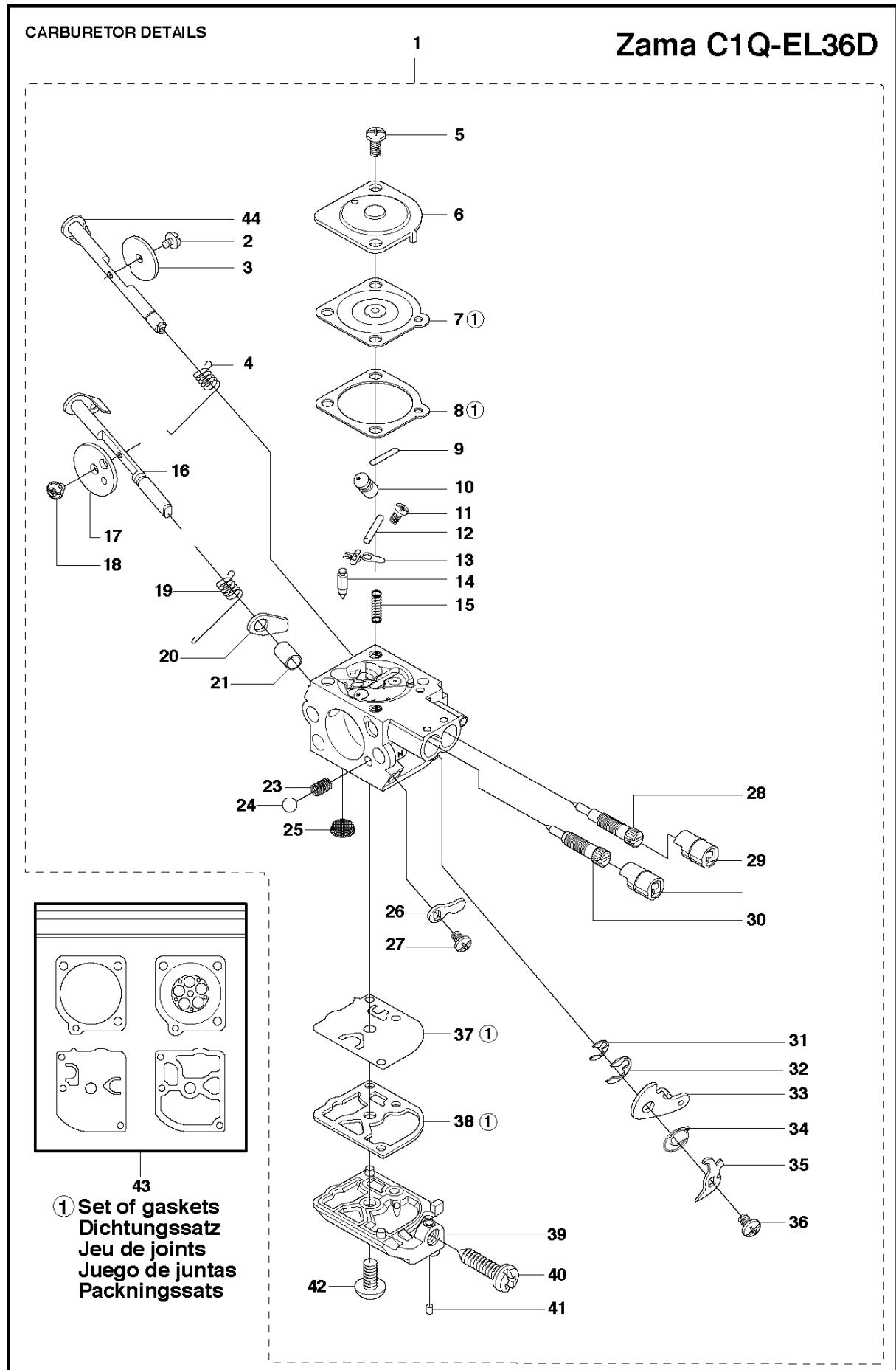
R 333R, 333RJ
335FR, 335LS, 335Lx, 335RJx, 335Rx.
CRANK CASE



CRANKCASE

333 R from 20144900001-Current

| Ref | Part No | Description | Remark | QTY | KIT |
|-----|--------------|----------------|--------|-----|-----|
| 1 | 503 20 02-30 | SCREW IHSCFM | | 4 | 9 |
| 2 | 503 26 02-02 | SEALING RING | | 1 | 9 |
| 3 | 738 21 01-10 | BALL BEARING | | 1 | 9 |
| 4 | 501 27 08-01 | GUIDE BUSHING | | 2 | 9 |
| 5 | 593 77 76-01 | GASKET | | 1 | 9 |
| 6 | 537 32 42-01 | INSERT | | 1 | 9 |
| 7 | 738 21 01-10 | BALL BEARING | | 1 | 9 |
| 8 | 503 26 02-02 | SEALING RING | | 1 | 9 |
| 9 | 544 03 89-01 | CRANKCASE ASSY | | 1 | |

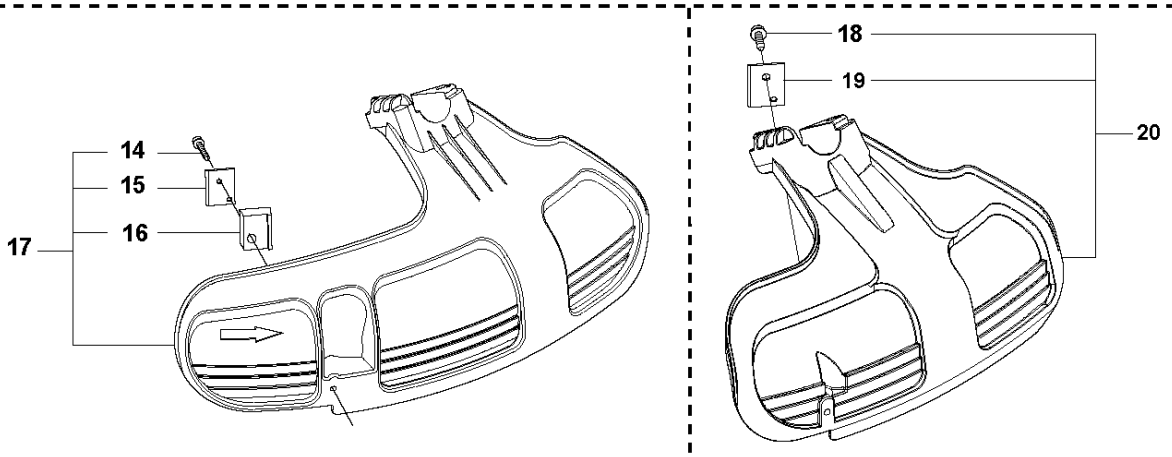
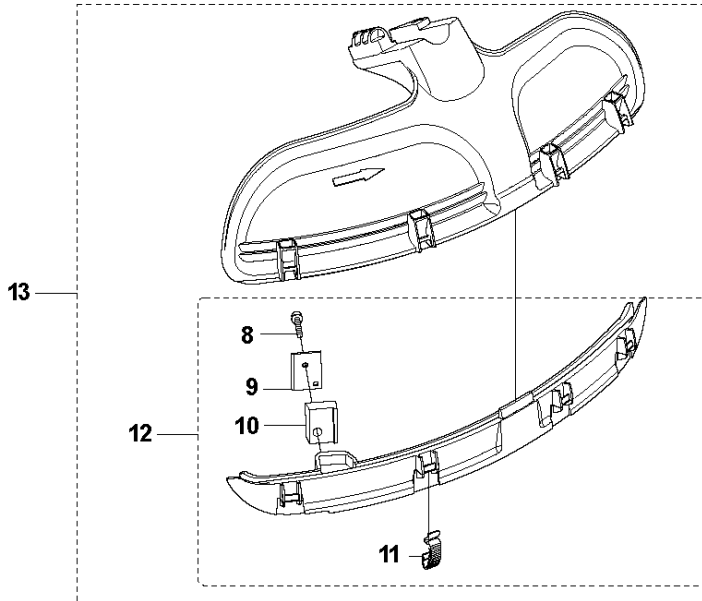
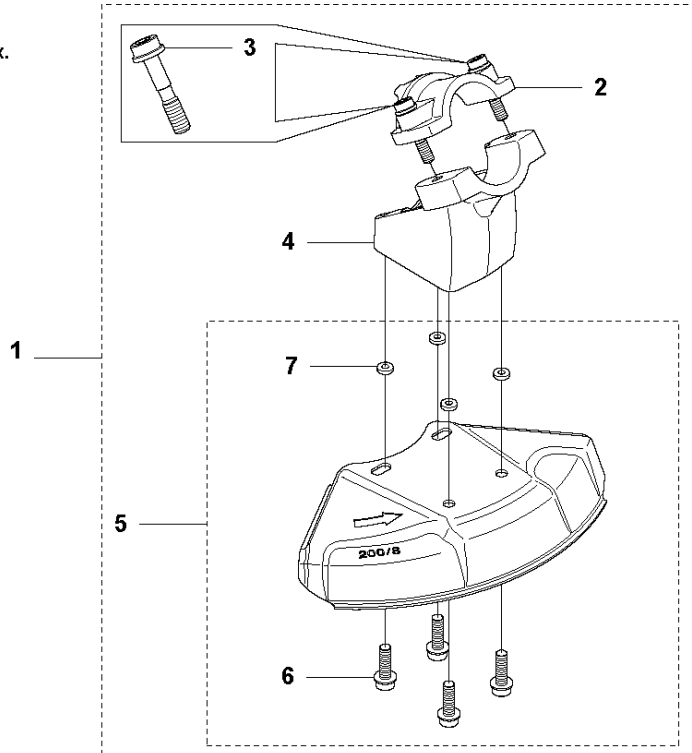


CARBURETOR

333 R from 20144900001-Current

| Ref | Part No | Description | Remark | QTY | KIT |
|-----|--------------|---------------------|--------|-----|-------|
| 1 | 581 16 75-01 | CARBURETTOR | | 1 | |
| 2 | 503 47 92-01 | SCREW | | 1 | 1 |
| 3 | 537 41 72-01 | VALVE | | 1 | 1 |
| 4 | 544 37 24-01 | SPRING | | 1 | 1 |
| 5 | 503 48 05-01 | SCREW | | 2 | 1 |
| 6 | 503 97 43-01 | COVER | | 1 | 1 |
| 7 | 537 04 89-01 | DIAPHRAGM | | 1 | 1, 43 |
| 8 | 537 02 04-01 | GASKET | | 1 | 1, 43 |
| 9 | 503 53 56-01 | PLUG WELCH | | 1 | 1 |
| 10 | 581 89 95-01 | MAIN NOZZLE | | 1 | 1 |
| 11 | 503 48 01-01 | SCREW | | 1 | 1 |
| 12 | 503 48 00-01 | PIN RETAINING SCREW | | 1 | 1 |
| 13 | 503 66 59-01 | LEVER | | 1 | 1 |
| 14 | 503 47 97-01 | VALVE | | 1 | 1 |
| 15 | 503 47 81-01 | SPRING | | 1 | 1 |
| 16 | 544 37 22-01 | SHAFT ASSY | | 1 | 1 |
| 17 | 537 37 03-01 | VALVE | | 1 | 1 |
| 18 | 503 48 18-01 | SCREW | | 1 | 1 |
| 19 | 544 37 26-01 | SPRING | | 1 | 1 |
| 20 | 544 37 25-01 | LEVER | | 1 | 1 |
| 21 | 544 42 70-01 | COLLAR | | 1 | 1 |
| 23 | 537 01 26-01 | SPRING | | 1 | 1 |
| 24 | 537 01 25-01 | BALL | | 1 | 1 |
| 25 | 503 48 13-01 | STRAINER | | 1 | 1 |
| 26 | 544 37 23-01 | LEVER | | 1 | 1 |
| 27 | 503 47 90-01 | SCREW | | 1 | 1 |
| 28 | 537 41 69-01 | SCREW | | 1 | 1 |
| 29 | 537 41 70-01 | LIMITER CAP | | 2 | 1 |
| 30 | 581 89 93-01 | SCREW | | 1 | 1 |
| 31 | 537 38 52-01 | CLIP | | 1 | 1 |
| 32 | 537 38 50-01 | CLIP | | 1 | 1 |
| 33 | 537 41 73-01 | LEVER | | 1 | 1 |
| 34 | 576 74 66-01 | SPRING | | 1 | 1 |
| 35 | 537 41 74-01 | LEVER | | 1 | 1 |
| 36 | 502 07 84-01 | SCREW | | 1 | 1 |
| 37 | 537 02 00-01 | DIAPHRAGM PUMP | | 1 | 1, 43 |
| 38 | 537 02 01-01 | GASKET | | 1 | 1, 43 |
| 39 | 537 41 68-01 | COVER | | 1 | 1 |
| 40 | 537 02 07-01 | SCREW | | 1 | 1 |
| 41 | 503 48 11-01 | PIECE | | 1 | 1 |
| 42 | 503 47 96-01 | SCREW | | 1 | 1 |
| 43 | 531 00 45-52 | GASKET KIT | | 1 | |
| 44 | 544 37 21-01 | SHAFT ASSY | | 1 | 1 |

T 333R, 333RJ
335FR, 335LS, 335Lx, 335RJx, 335Rx.
ACCESSORIES

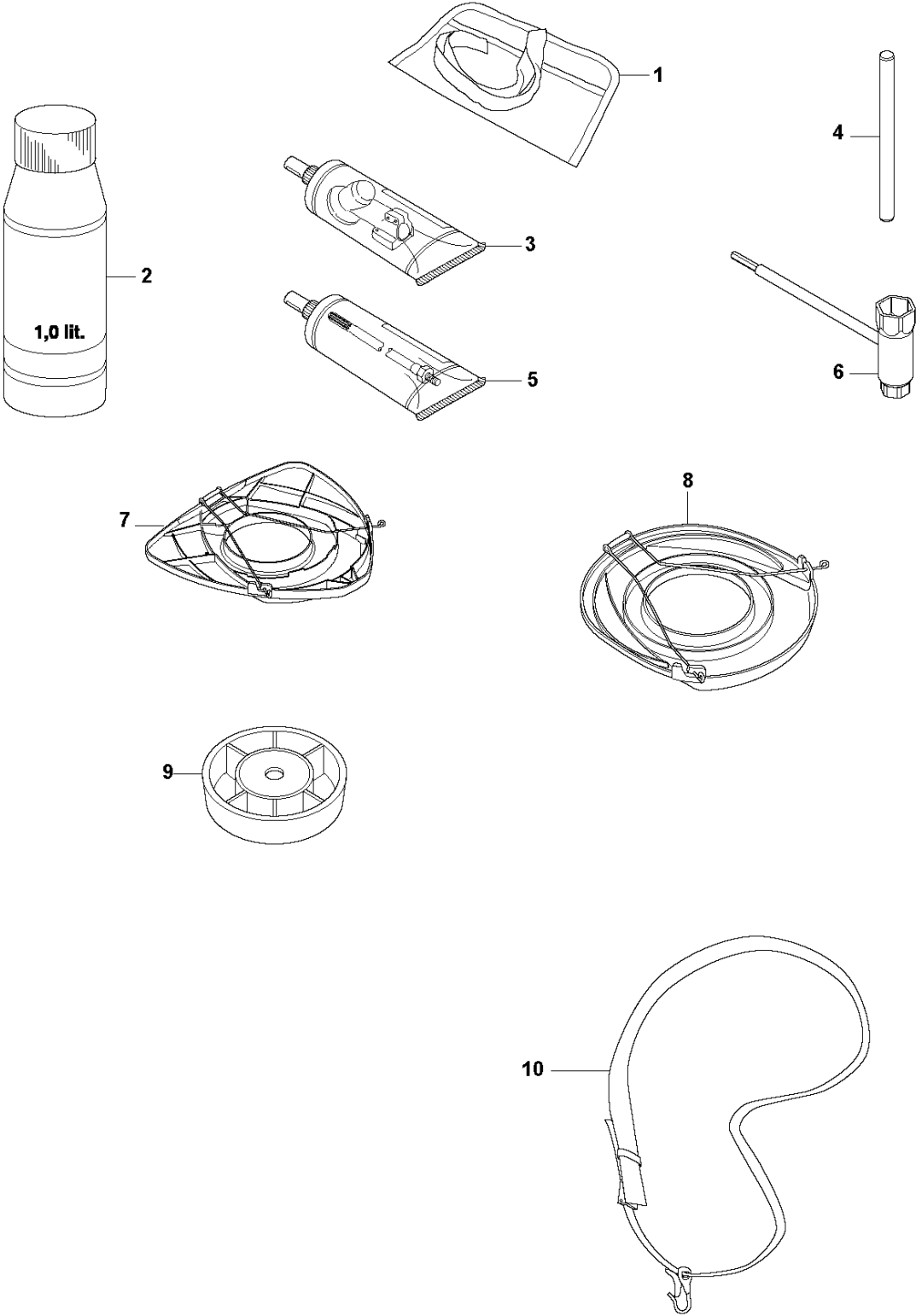


ACCESSORIES

333 R from 20144900001-Current

| Ref | Part No | Description | Remark | QTY KIT | |
|-----|--------------|--------------------|-----------------------------------|---------|------|
| 1 | 501 32 04-02 | SAW BLADE GUARD | Incl. Pos. 2-7 | 1 | |
| 2 | 574 53 06-01 | CLAMP | Spare part incl. Screws Pos. 3 | 1 | 1 |
| 3 | 573 99 43-04 | SCREW IHSCFMO | Captive Screw M5 | 2 | 1, 2 |
| 4 | 501 32 08-01 | ADAPTER | | 1 | 1 |
| 5 | 574 53 26-01 | BLADE GUARD | Incl. Pos. 6-7 | 1 | 1 |
| 6 | 503 20 02-16 | SCREW IHSCFM | | 4 | 1, 5 |
| 7 | 574 03 95-01 | LOCK NUT | | 4 | 1, 5 |
| 8 | 503 21 07-16 | SCREW IHSCFT | 333R, 335Rx | 1 | 13 |
| 8 | 503 21 68-25 | SCREW IHSCFT | 333RJ, 335RJx, 335Lx, 335LS | 1 | 13 |
| 9 | 503 79 88-01 | BLADE | | 1 | 13 |
| 10 | 544 12 45-01 | RETAINER | 33RJ, 335RJx, 335Lx, 335LS | 1 | 13 |
| 11 | 537 38 72-01 | SNAP LOCKING | | 4 | 13 |
| 12 | 537 39 63-01 | SPLASH GUARD | 333R, 335Rx | 1 | 13 |
| 12 | 537 39 63-03 | SPLASH GUARD | 333RJ, 335RJx, 335Lx, 335LS | 1 | |
| 13 | 537 33 16-01 | COMBINATION GUARD | 333R, 335Rx | 1 | |
| 13 | 537 33 16-03 | SPLASH GUARD | 333RJ, 335Lx, 335RJx, 335LS | 1 | |
| 14 | 503 21 68-25 | SCREW IHSCFT | | 1 | 17 |
| 15 | 503 79 88-01 | BLADE | | 1 | 17 |
| 16 | 544 12 45-01 | RETAINER | | 1 | 17 |
| 17 | 537 34 94-03 | TRIMMER GUARD ASSY | | 1 | |
| 18 | 503 21 68-25 | SCREW IHSCFT | | 1 | 20 |
| 19 | 503 79 88-01 | BLADE | | 1 | 20 |
| 20 | 502 44 81-01 | TRIMMER GUARD ASSY | | 1 | |

U 333R, 333RJ
335FR, 335LS, 335Lx, 335RJx, 335Rx.
ACCESSORIES

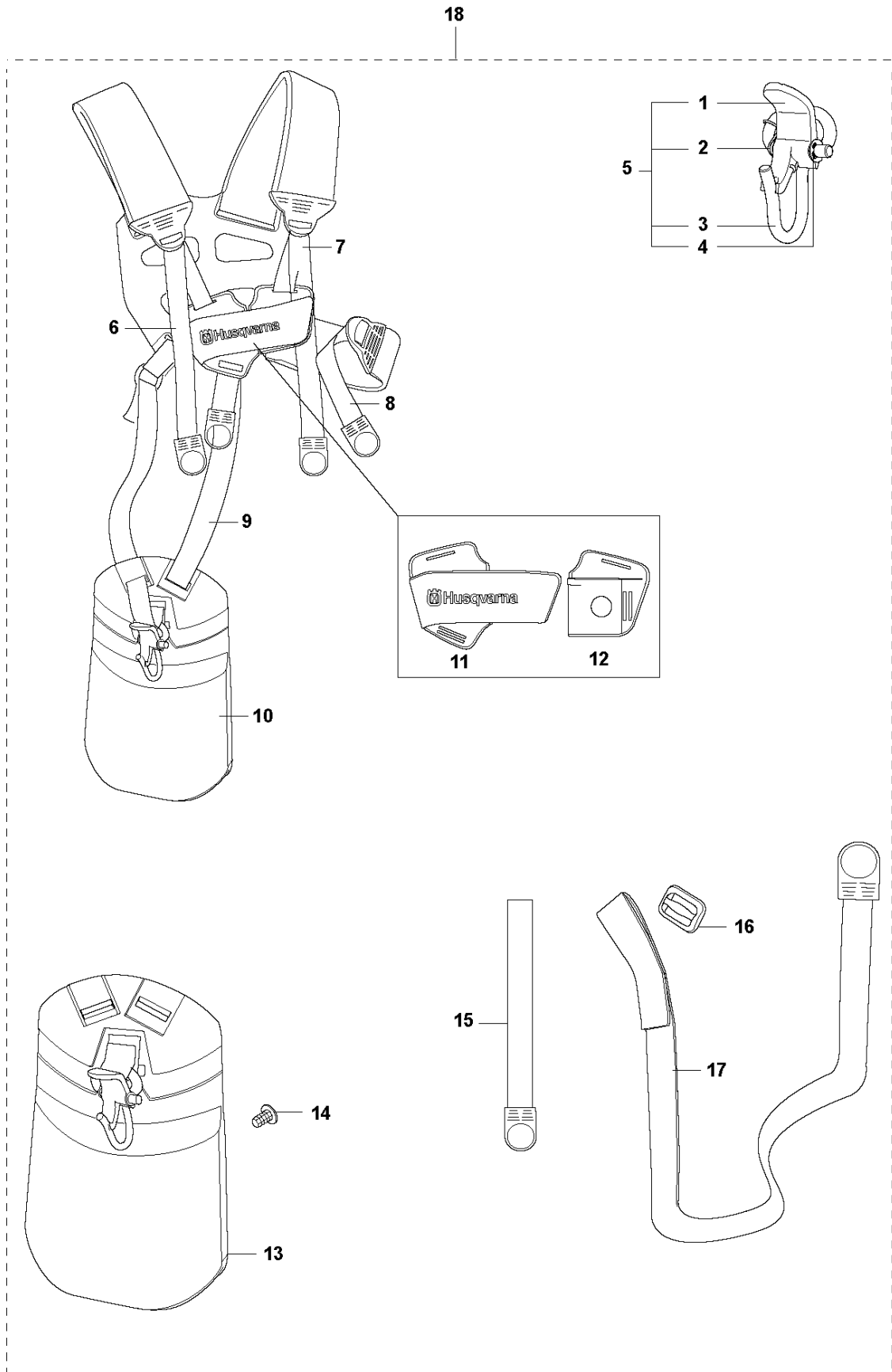


ACCESSORIES

333 R from 20144900001-Current

| Ref | Part No | Description | Remark | QTY KIT |
|-----|--------------|--------------------|---------------|---------|
| 1 | 501 19 22-01 | TOOL | | 1 |
| 2 | 531 00 92-48 | FILTER OIL | Oil Airfilter | 1 |
| 3 | 503 97 64-01 | GREASE | | 1 |
| 4 | 502 28 59-01 | STOP | | 1 |
| 5 | 503 80 17-01 | GREASE | | 1 |
| 6 | 537 36 21-01 | COMBINATION WRENCH | | 1 |
| 7 | 544 35 91-01 | TRANSPORT GUARD | | 1 |
| 8 | 537 31 29-01 | TRANSPORT GUARD | 200-275 mm | 1 |
| 9 | 503 89 01-02 | SUPPORT CUP | | 1 |
| 10 | 537 21 62-01 | HARNESS | | 1 |
| 10 | 537 21 62-02 | HARNESS | USA | 1 |

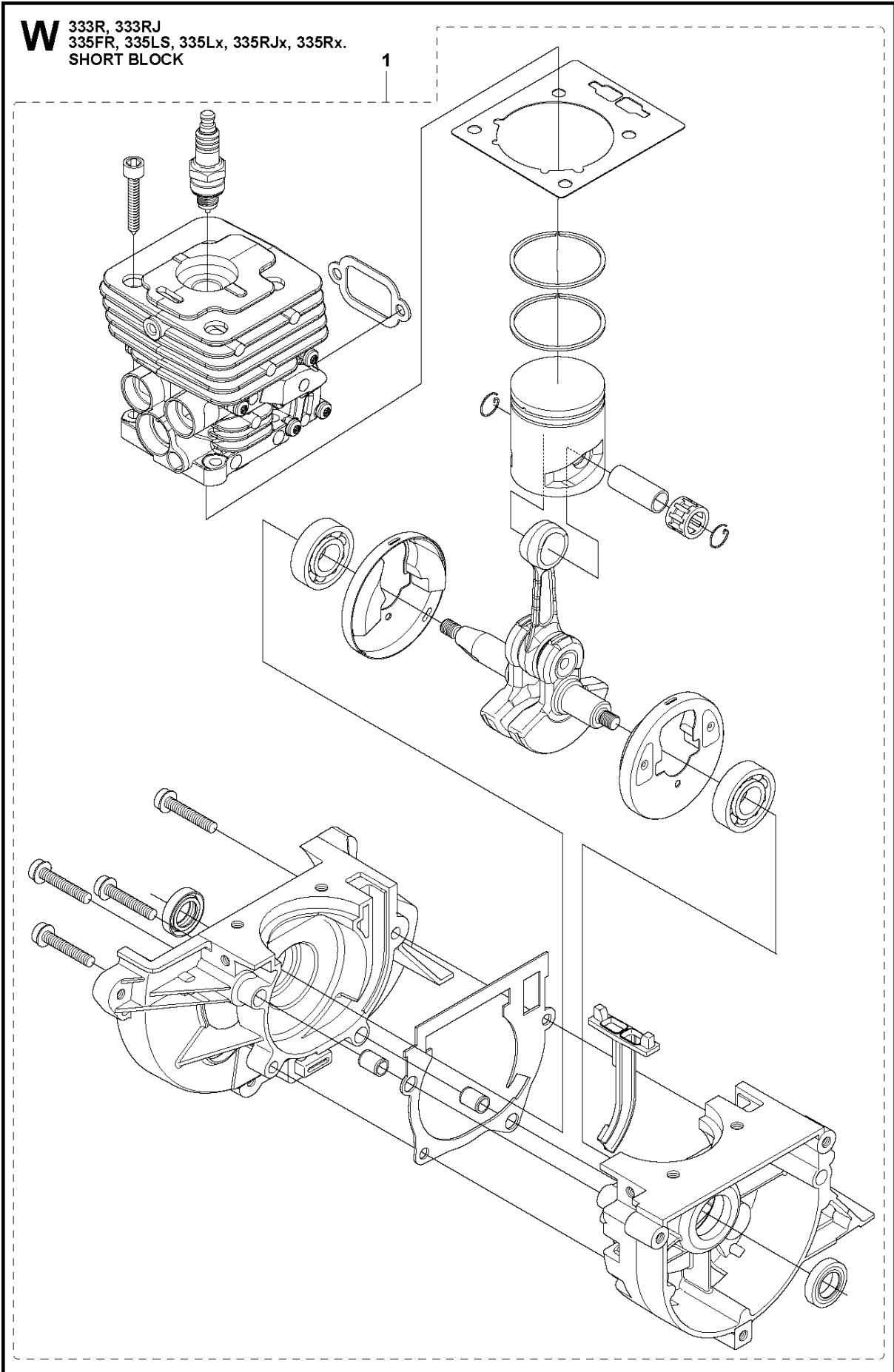
V 333R, 333RJ
335FR, 335LS, 335Lx, 335RJx, 335Rx.
HARNESS



HARNESS

333 R from 20144900001-Current

| Ref | Part No | Description | Remark | QTY | KIT |
|-----|--------------|-------------|----------------|-----|-----|
| 1 | 502 02 30-02 | LOCK | | 1 | 5 |
| 2 | 502 02 38-01 | SPRING | | 1 | 5 |
| 3 | 502 02 29-02 | HOOK | | 1 | 5 |
| 4 | 735 31 09-20 | E-CLIP | | 1 | 5 |
| 5 | 502 02 28-05 | WELT HOOK | | 1 | |
| 6 | 503 99 61-01 | BAND | | 1 | |
| 7 | 503 99 61-01 | BAND | | 1 | |
| 8 | 503 99 61-01 | BAND | | 1 | |
| 9 | 503 99 61-03 | BAND | | 1 | |
| 10 | 537 27 59-01 | HIP PAD | | 1 | |
| 11 | 537 28 84-01 | BUCKLE | | 1 | |
| 12 | 537 28 83-01 | BUCKLE | | 1 | |
| 13 | 537 27 59-01 | HIP PAD | | 1 | |
| 14 | 537 17 54-01 | HIP PAD | | 3 | |
| 15 | 503 99 61-01 | BAND | | 3 | |
| 16 | 537 11 35-01 | RETAINER | | 1 | |
| 17 | 503 99 61-03 | BAND | | 1 | |
| 18 | 537 27 57-02 | HARNESS | Duo Balance | 1 | |
| 18 | 537 27 57-04 | HARNESS | Duo Balance US | 1 | |



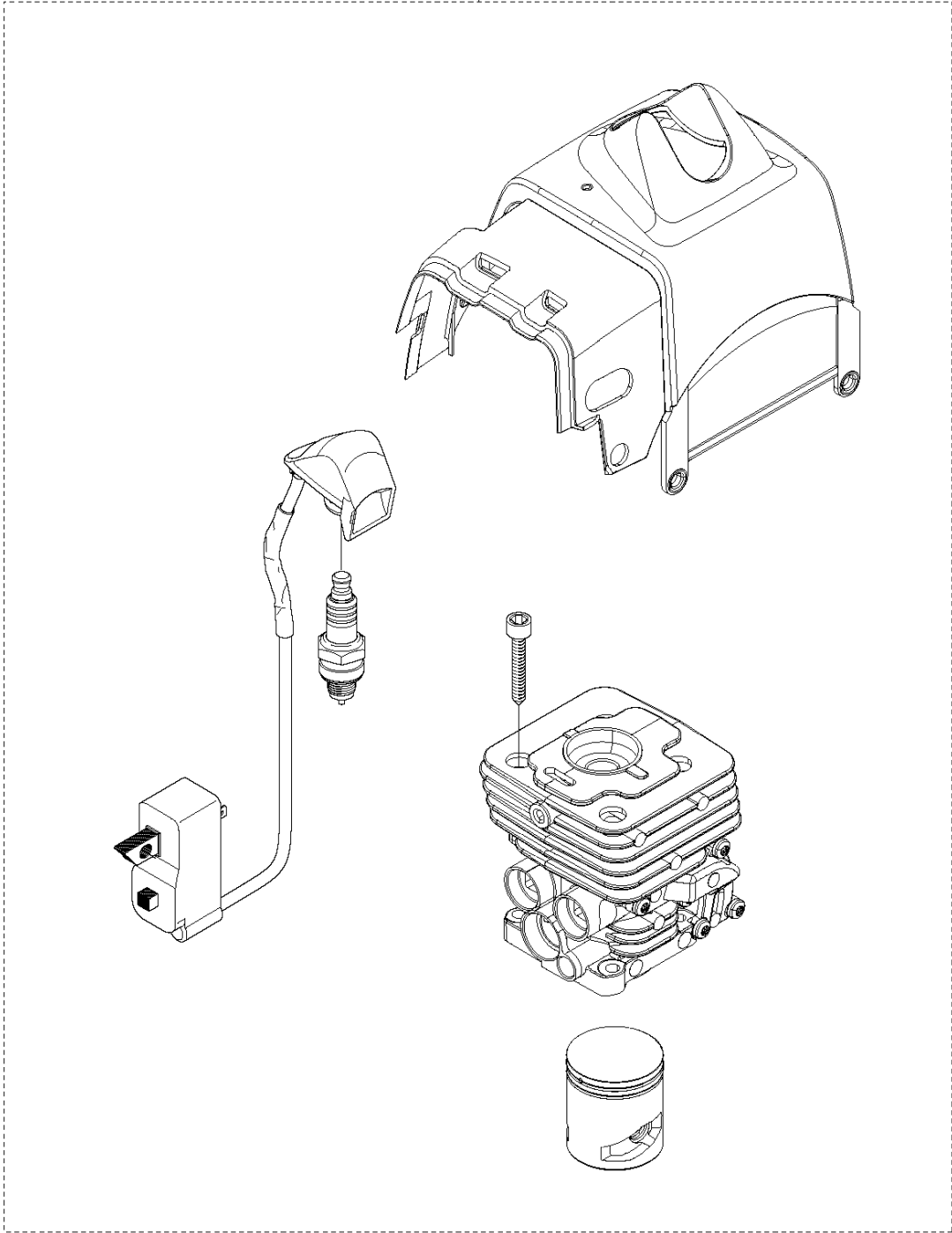
SHORT BLOCK

333 R from 20144900001-Current

| Ref | Part No | Description | Remark | QTY KIT |
|-----|--------------|-------------|--------|---------|
| 1 | 576 79 68-01 | SHORT BLOCK | | 1 |

CYLINDER KIT

1



CYLINDER KIT

333 R from 20144900001-Current

| Ref | Part No | Description | Remark | QTY KIT |
|-----|--------------|-------------|--------|---------|
| 1 | 505 41 17-01 | KIT | | 1 |